

# Diaphragm seal with flange connection With internal diaphragm Model 990.26

WIKA data sheet DS 99.26



for further approvals  
see page 5

## Applications

- Aggressive, highly viscous, crystallising or hot media
- Process industry
- Small flange process connections

## Special features

- Flange with internal, all welded diaphragm
- Compact design



Diaphragm seal with flange connection, model 990.26

## Description

Diaphragm seals are used for the protection of pressure measuring instruments in applications with difficult media. In diaphragm seal systems, the diaphragm of the diaphragm seal effects the separation of the instrument and the medium. The pressure is transmitted to the measuring instrument via the system fill fluid which is inside the diaphragm seal system.

For the implementation of demanding customer applications, there are a wide variety of designs, materials and system fill fluids available.

For further technical information on diaphragm seals and diaphragm seal systems see IN 00.06 "Application, operating principle, designs".

The model 990.26 diaphragm seal is ideally suited for applications with small process connections. Due to the internal diaphragm low measuring ranges can be realised. The large diameter of the diaphragm effects a lower deviation at the measuring instrument when the temperature changes.

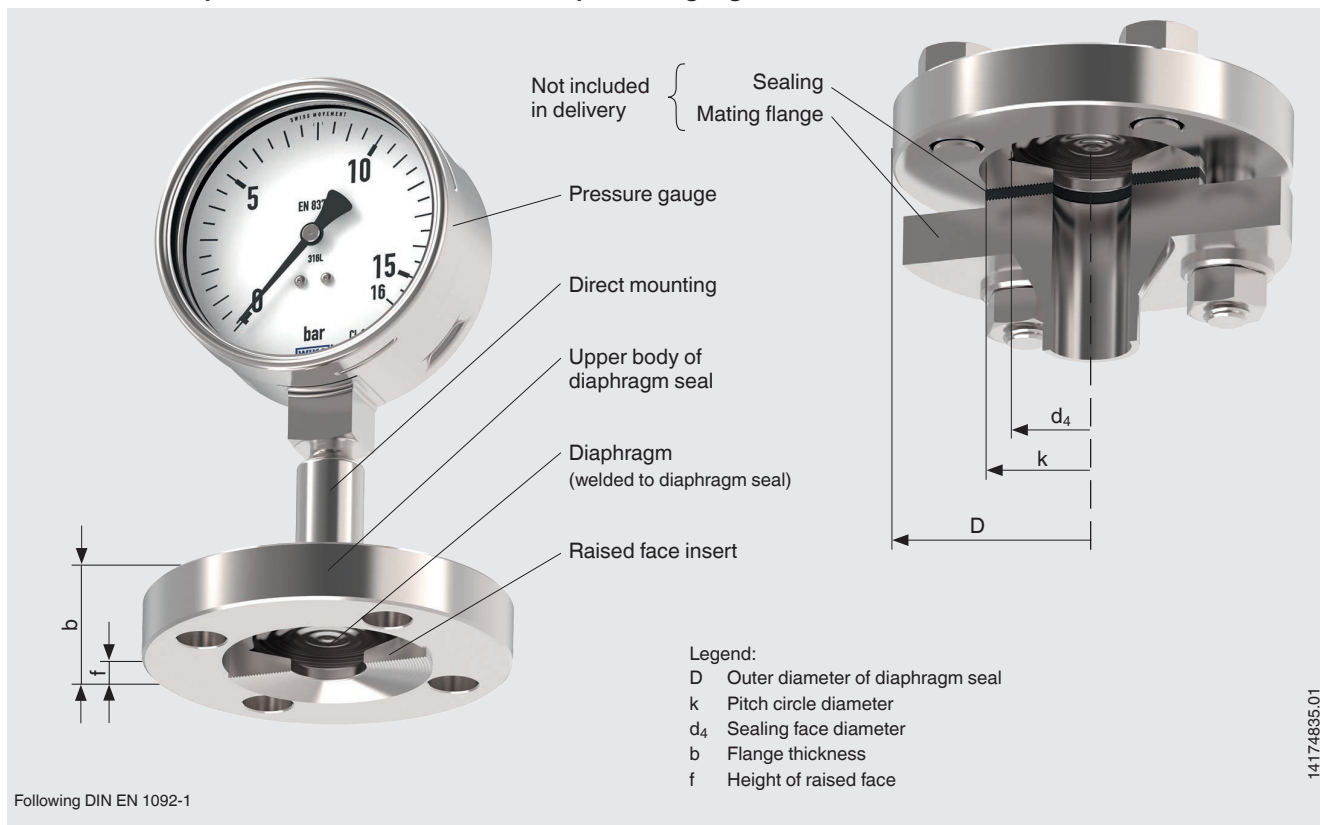
Mounting of the diaphragm seal to the measuring instrument may be made via a direct connection, for high temperatures via a cooling element or via a flexible capillary.

For the material selection WIKA offers a variety of solutions, in which the upper body of the diaphragm seal and the wetted parts can be made of identical or different materials. The wetted parts can, as an alternative, be coated.

## Specifications

Model 990.26	Standard	Option
Pressure range	From 400 mbar [5,8 psi] depending on diameter of diaphragm For diaphragm seal systems with pressure gauges from 6 bar [87 psi]	
Level of cleanliness of wetted parts	Oil and grease free per ASTM G93-03 level F and ISO 15001 (< 1,000 mg/m <sup>2</sup> )	Oil and grease free per ASTM G93-03 level D and ISO 15001 (< 220 mg/m <sup>2</sup> )
Origin of wetted parts	International	EU, CH, USA
Connection to the measuring instrument	Axial adapter	Axial adapter with G 1/2, G 1/4, 1/2 NPT or 1/4 NPT (female)
Type of mounting	Direct mounting	<ul style="list-style-type: none"> <li>■ Capillary</li> <li>■ Cooling element</li> </ul>
Design per NACE	-	<ul style="list-style-type: none"> <li>■ MR 0175</li> <li>■ MR 0103</li> </ul>
Vacuum service (see IN 00.25)	Basic service	<ul style="list-style-type: none"> <li>■ Premium service</li> <li>■ Advanced service</li> </ul>
Instrument mounting bracket (only for capillary option)	-	<ul style="list-style-type: none"> <li>■ Form H per DIN 16281, 100 mm, aluminium, black</li> <li>■ Form H per DIN 16281, 100 mm, stainless steel</li> <li>■ Bracket for pipe mounting, for pipe Ø 20 ... 80 mm, steel (see data sheet AC 09.07)</li> </ul>

### Installation example, model 990.26 with mounted pressure gauge



## Process connection, flange

Standard	Flange size	Sealing face	
		Standard	Option
Following DIN EN 1092-1	DN 15	Form B1	Form B2
	DN 20		
	DN 25		
Following ASME B16.5	½"	RF 125 ... 250 AA	RFSF
	¾"		
	1"		
Following GOST 33259	DN 15	Type B	-
	DN 20		
	DN 25		
Following JIS B2220	DN 15A	RF	-
	DN 20A		
	DN 25A		

Further flanges and options on request


## Material combinations

Upper body of diaphragm seal	Wetted parts		Maximum permissible process temperature <sup>1)</sup> in °C [°F]
	Raised face insert	Diaphragm	
<b>Stainless steel 1.4404 (316L)</b>	Stainless steel 1.4404 (316L)	Stainless steel 1.4435 (316L)	400 [752]
	Stainless steel 1.4404 (316L)	Stainless steel 1.4404 (316L)	
	Stainless steel 1.4539 (904L)	Stainless steel 1.4539 (904L)	
	Stainless steel 1.4541 (321)	Stainless steel 1.4541 (321)	
	Stainless steel 1.4571 (316Ti)	Stainless steel 1.4571 (316Ti)	
	PFA (perfluoralkoxy) coating, FDA	PFA (perfluoralkoxy) lining, FDA	260 [500]
	PFA (perfluoralkoxy) coating, antistatic	PFA (perfluoralkoxy) lining, antistatisch	
	Hastelloy C22 (2.4602)	Hastelloy C22 (2.4602)	260 [500]
	Hastelloy C276 (2.4819)	Hastelloy C276 (2.4819)	400 [752]
	Inconel 600 (2.4816)	Inconel 600 (2.4816)	
	Inconel 625 (2.4856)	Inconel 625 (2.4856)	
	Incoloy 825 (2.4858)	Incoloy 825 (2.4858)	
	Monel 400 (2.4360)	Monel 400 (2.4360)	
	Tantalum	Tantalum	300 [572]
<b>Stainless steel 1.4435 (316L)</b>	Stainless steel 1.4435 (316L)	Stainless steel 1.4435 (316L)	400 [752]
<b>Stainless steel 1.4539 (904L)</b>	Stainless steel 1.4539 (904L)	Stainless steel 1.4539 (904L)	
<b>Stainless steel 1.4541 (321)</b>	Stainless steel 1.4541 (321)	Stainless steel 1.4541 (321)	
<b>Stainless steel 1.4571 (316Ti)</b>	Stainless steel 1.4571 (316Ti)	Stainless steel 1.4571 (316Ti)	
<b>Duplex 2205 (1.4462)</b>	Duplex 2205 (1.4462)	Duplex 2205 (1.4462)	
<b>Superduplex (1.4410)</b>	Superduplex (1.4410)	Superduplex (1.4410)	
<b>Hastelloy C22 (2.4602)</b>	Hastelloy C22 (2.4602)	Hastelloy C22 (2.4602)	400 [752]
<b>Hastelloy C276 (2.4819)</b>	Hastelloy C276 (2.4819)	Hastelloy C276 (2.4819)	
<b>Inconel 600 (2.4816)</b>	Inconel 600 (2.4816)	Inconel 600 (2.4816)	
<b>Inconel 625 (2.4856)</b>	Inconel 625 (2.4856)	Inconel 625 (2.4856)	
<b>Incoloy 825 (2.4558)</b>	Incoloy 825 (2.4858)	Incoloy 825 (2.4858)	
<b>Monel 400 (2.4360)</b>	Monel 400 (2.4360)	Monel 400 (2.4360)	
<b>Nickel 200 (2.4060, 2.4066)</b>	Nickel 200 (2.4060, 2.4066)	Nickel 200 (2.4060, 2.4066)	
<b>Titan Grade 2 (3.7035)</b>	Titan Grade 2 (3.7035)	Titan Grade 2 (3.7035)	
<b>Titan Grade 7 (3.7235)</b>	Titan Grade 7 (3.7235)	Titan Grade 11 (3.7225)	
<b>Titan Grade 11 (3.7225)</b>	Titan Grade 11 (3.7225)	Titan Grade 11 (3.7225)	

1) The maximum permissible process temperature of the diaphragm seal system is limited by the joining method, by the system fill fluid and by the measuring instrument.

Further material combinations for special process temperatures on request

## Approvals

Logo	Description	Country
	<b>EAC (option)</b> Pressure equipment directive	Eurasian Economic Community
-	<b>CRN</b> Safety (e.g. electr. safety, overpressure, ...)	Canada
-	<b>MTSCHS (option)</b> Permission for commissioning	Kazakhstan

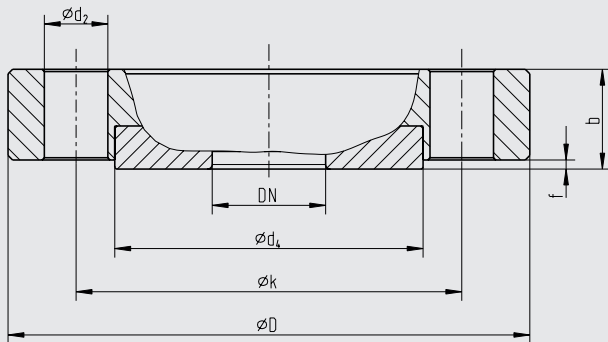
## Certificates (option)

- 2.2 test report per EN 10204 (e.g. state-of-the-art manufacturing, material proof, indication accuracy for diaphragm seal systems)
- 3.1 inspection certificate per EN 10204 (e.g. material proof for wetted metallic parts, indication accuracy for diaphragm seal systems)

Approvals and certificates, see website

## Dimensions in mm [in]

Flange connection following DIN EN 1092-1, form B1



Legend:

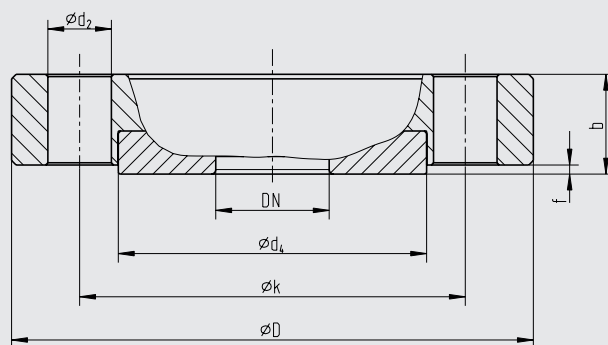
- Mb Effective diameter of diaphragm
- D Outer diameter of diaphragm seal
- b Flange thickness
- $d_2$  Bore diameter
- f Height of raised face
- k Pitch circle diameter
- $d_4$  Sealing face diameter
- x Number of screws

1387987.02

DN	PN	Dimensions in mm [in]							x	Weight in kg [lbs]
		Mb	D	b	$d_2$	f	k	$d_4$		
15	10-40	40 [1.575]	95 [3.74]	22 [0.866]	14 [0.551]	2 [0.079]	65 [2.559]	45 [1.772]	4	1 [2.2]
20			105 [4.134]				75 [2.953]	58 [2.283]		1.3 [2.9]
25		52 [2.047]	115 [4.528]				85 [3.346]	68 [2.677]		1.5 [3.3]

Further dimensions and higher nominal pressures on request

## Flange connection per ASME B 16.5, RF 125 ... 250 AA



Legend:

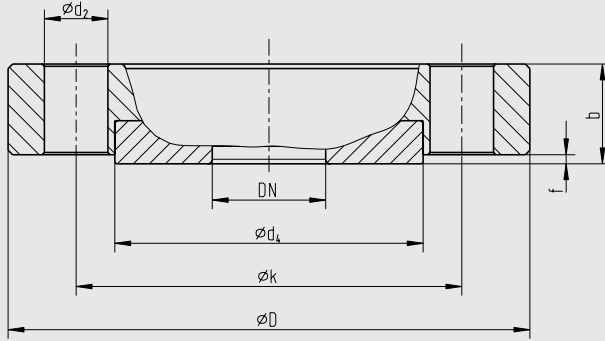
- Mb Effective diameter of diaphragm
- D Outer diameter of diaphragm seal
- b Flange thickness
- $d_2$  Bore diameter
- f Height of raised face
- k Pitch circle diameter
- $G_1$  Thread
- $d_4$  Sealing face diameter
- x Number of screws

1387987.02

DN	Class	Dimensions in mm [in]							x	Weight in kg [lbs]
		Mb	D	b	$d_2$	f	k	$d_4$		
1/2"	150	32 [1.26]	90 [3.543]	22 [0.866]	16 [0.63]	2 [0.079]	60.3 [2.374]	34.9 [1.374]	4	1 [2.2]
	300	40 [1.575]	95 [3.740]				66.7 [2.626]			
3/4"	150		100 [3.937]				69.9 [2.752]	42.9 [1.689]	4	1.1 [2.4]
	300		115 [4.528]		19 [0.748]		82.6 [3.252]		4	1.6 [3.5]
1"	150	52 [2.047]	110 [4.331]		16 [0.63]		79.4 [3.126]	50.8 [2]	4	1.4 [3]
	300		125 [4.921]		19 [0.748]		88.9 [3.5]		4	1.7 [3.7]

Further dimensions and higher nominal pressures on request

## Flange connection following GOST 33259, type B



### Legend:

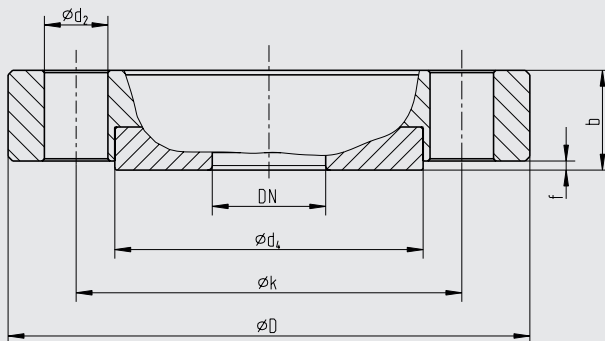
- Mb Effective diameter of diaphragm
- D Outer diameter of diaphragm seal
- b Flange thickness
- $d_2$  Bore diameter
- f Height of raised face
- k Pitch circle diameter
- $G_1$  Thread
- $d_4$  Sealing face diameter
- x Number of screws

1387987.02

DN	PN	Dimensions in mm [in]							x	Weight in kg [lbs]
		Mb	D	b	$d_2$	f	k	$d_4$		
15	10-40	40 [1.575]	95 [3.74]	22 [0.866]	14 [0.551]	2 [0.079]	65 [2.559]	47 [1.85]	4	1 [2.2]
20			105 [4.134]				75 [2.953]	58 [2.283]		1.3 [2.9]
25		52 [2.047]	115 [4.528]				85 [3.346]	68 [2.677]		1.5 [3.3]

Further dimensions and higher nominal pressures on request

## Flange connection per JIS



### Legend:

- Mb Effective diameter of diaphragm
- D Outer diameter of diaphragm seal
- b Flange thickness
- $d_2$  Bore diameter
- f Height of raised face
- k Pitch circle diameter
- $G_1$  Thread
- $d_4$  Sealing face diameter
- x Number of screws

1387987.02

DN	PN	Dimensions in mm [in]							x	Weight in kg [lbs]
		Mb	D	b	$d_2$	f	k	$d_4$		
15	10 K - 20 K	40 [1.575]	95 [3.74]	21 [0.827]	15 [0.591]	1 [0.04]	70 [2.756]	51 [2.008]	4	1 [2.2]
20			100 [3.937]				75 [2.953]	56 [2.205]		1.3 [2.9]
25		52 [2.047]	125 [4.921]				90 [3.543]	67 [2.638]		1.7 [3.7]

Further dimensions and higher nominal pressures on request

## Ordering information

Diaphragm seal:

Diaphragm seal model / Process connection (standard, flange size, nominal pressure, sealing face) / Materials (upper body of diaphragm seal, raised face insert) / Level of cleanliness of wetted parts / Origin of wetted parts / Design per NACE / Connection to the measuring instrument / Certificates

Diaphragm seal system:

Diaphragm seal model / Pressure measuring instrument model (per data sheet) / Mounting (direct mounting, cooling element, capillary) / Materials (upper body of diaphragm seal, raised face insert, diaphragm) / Min. and max. process temperature / Min. and max. ambient temperature / Vacuum service / System fill fluid / Certificates / Height difference / Level of cleanliness of wetted parts / Origin of wetted parts / Design per NACE / Diaphragm seal for mounting to zone 0 / Instrument mounting bracket / Process connection (standard, flange size, nominal pressure, sealing face)

© 02/2004 WIKA Alexander Wiegand SE & Co. KG, alle Rechte vorbehalten.  
Die in diesem Dokument beschriebenen Geräte entsprechen in ihren technischen Daten dem derzeitigen Stand der Technik.  
Änderungen und den Austausch von Werkstoffen behalten wir uns vor.

