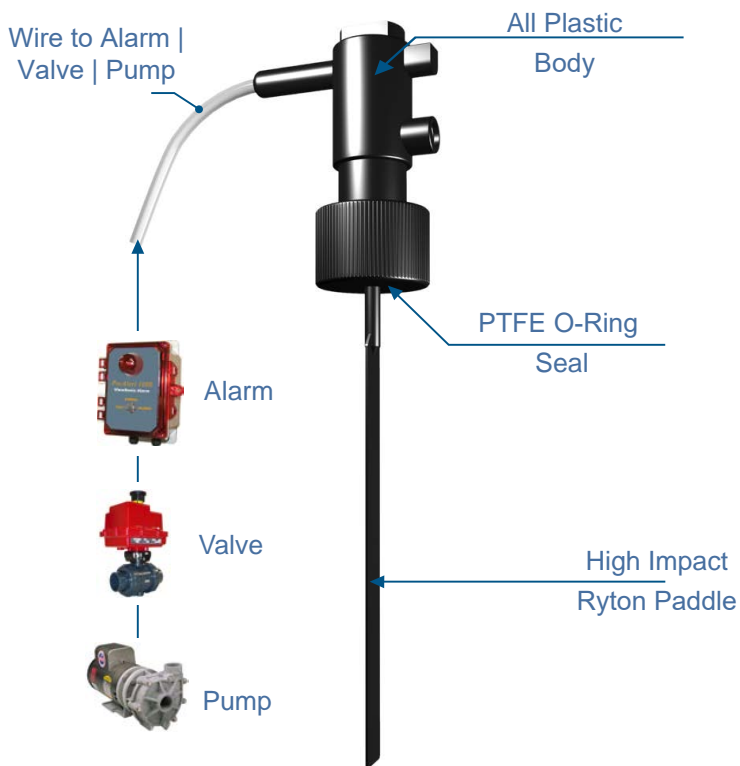


UFS SERIES

Plastic Flow Switch



- Excellent Pump Protection
- Corrosion Resistant
- All Plastic Rugged Design



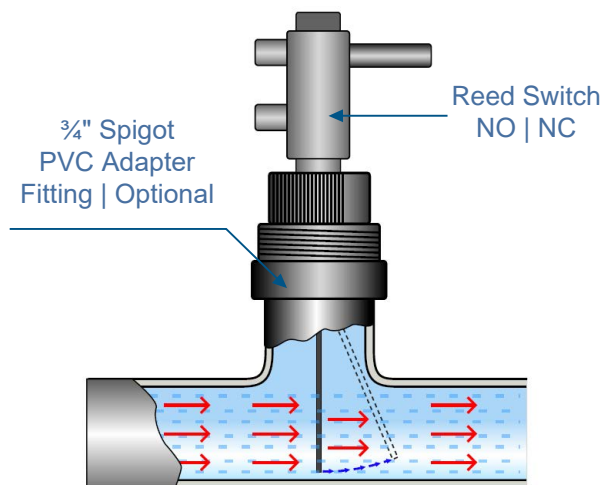
Flow Switch

The Heavy Duty Truflo® UFS Series flow switch is easy to install and offers excellent chemical resistance and reliability.

The UFS Series is available with a normally open or normally closed reed switch contact. The nominal switching point is determined by the length of the paddle.

During installation, the paddle is typically cut at a mark based upon the pipe diameter, equating to the highest possible switch sensitivity and lowest switching point. Installation is easy; simply insert the UFS Flow Switch into an appropriately sized Tee fitting, and it's complete!

Pump Protection



- Prevent Pumps from Running Dry
- Ensures There are No Clogs
- Output to Alarm | Shut Off Pump

One Universal Length

- Simple to Install
- 1/2 - 16" Pipe Sizes
- Trim to Desired Length
- Process can be Done Easily in the Field



Features

- Corrosion Resistant Ryton Paddle
- No Power Required
- NEMA 4X Enclosure
- Simple Installation Process
- Can be Easily Changed from Normally Open to Normally Closed

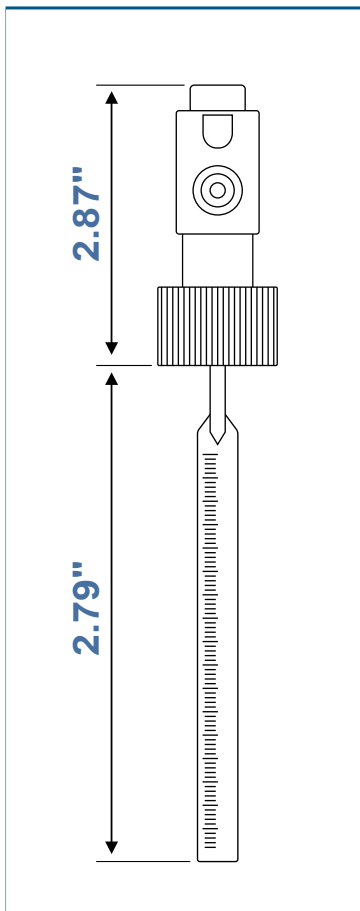
Ryton



Specifications

Paddle Material	Ryton
O-Ring	PTFE Teflon®
Max. Working Temperature	190°F 88°C
Max. Working Pressure Non-Shock	150 psi 10 bar
Max. Contact Current	1.5A
Max. Power Supply	85 VDC 250 VAC
Relay	NO NC Adjustable
Protection Class	IP 65 NEMA 4X
Viscosity Range	0.5 - 20 cst
Cable*	3ft 1m*

Dimensions



Flow Velocity | Switch Points

PVC and CPVC Pipes - Schedule 40		PVC and CPVC Pipes - Schedule 80	
Normal Pipe Size (Inches)	Approximate Switching Point (GPM)	Normal Pipe Size (Inches)	Approximate Switching Point (GPM)
½	1.9	½	1.5
¾	3.3	¾	2.7
1	5.4	1	4.5
1-¼	9.3	1-¼	8.0
1-½	12.7	1-½	16.0
2	21.0	2	18.4
2-½	30.0	2-½	21.4
3	46.0	3	41.0
4	79.0	4	72.0
5	124.0	5	113
6	180.0	6	162
8	312.0	8	385
10	492.0	10	448
12	697.0	12	634.0
14	843.0	14	765.0
16	1100.0	16	1003.0

*Consult Factory for Other Cable Lengths