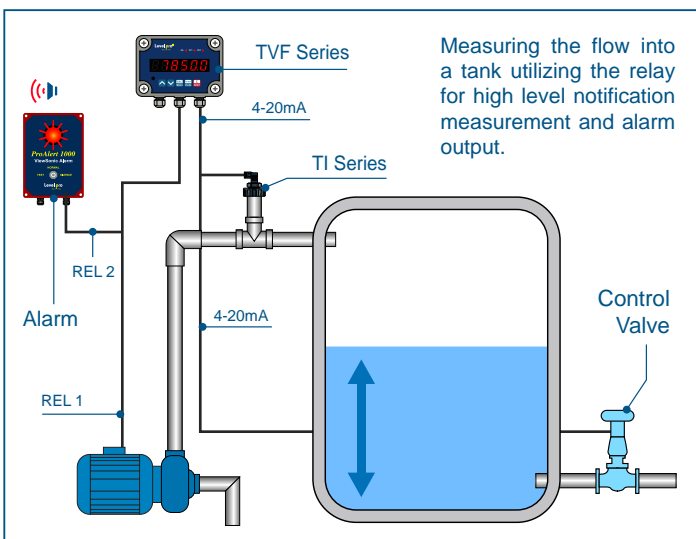


- ❑ All-in-One | Out of the Box Ready to Use
- ❑ NEMA 4X Enclosure
- ❑ New Easy-Learn® Programming



Remote Control (Optional)

Typical Application



Features

- ❑ SunBright Technology for Outdoor Applications
- ❑ No Assembly Required
- ❑ 8 Levels of Brightness
- ❑ Flow Rate | Totalizer | Batcher
- ❑ 3 Wire Cord Grips Included | No Add Ons
- ❑ 16 Digit Totalizer
- ❑ Completely Thermoplastic | Corrosion-Free



Super 'Sunbrite' LED DISPLAY - 8 Levels of Brightness

Product Description

The **TVF Series** Flow Display & Batcher is the industry's most rugged and reliable wall-mount remote display. The **TVF Series** will display both Flow Rate and Flow Total up to 16 digits.

LevelPro® TVF Series comes as a complete all-in-one unit, out of the box it is ready to use. Included is a bright LED Display, NEMA 4X Enclosure, Polycarbonate Faceplate, Cord Grips and Plastic Captive Screws.

The industrial design of the **TVF Series** ensures that it will withstand the industry's most corrosive environments.

Available with either 2 Relay Outputs or 1 Relay + 4-20mA Output, the **TVF Series** is great for automating your batching or dosing applications.

Pairs with TI Series Flow Meters

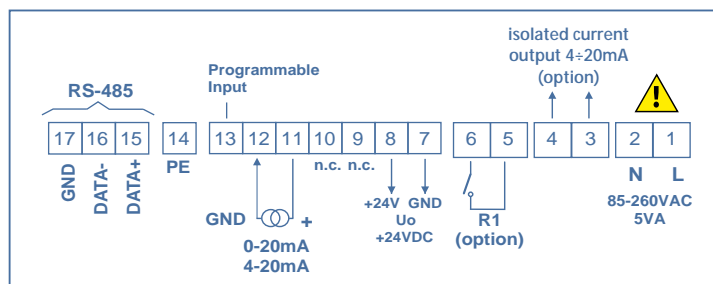
- ❑ Lifetime Warranty on Paddle Wheel Assembly
- ❑ Industry's Highest Accuracy: $\pm 0.5\%$
- ❑ New ShearPro® Designed Paddle
- ❑ Zirconium Ceramic Rotor Pin | Bushings



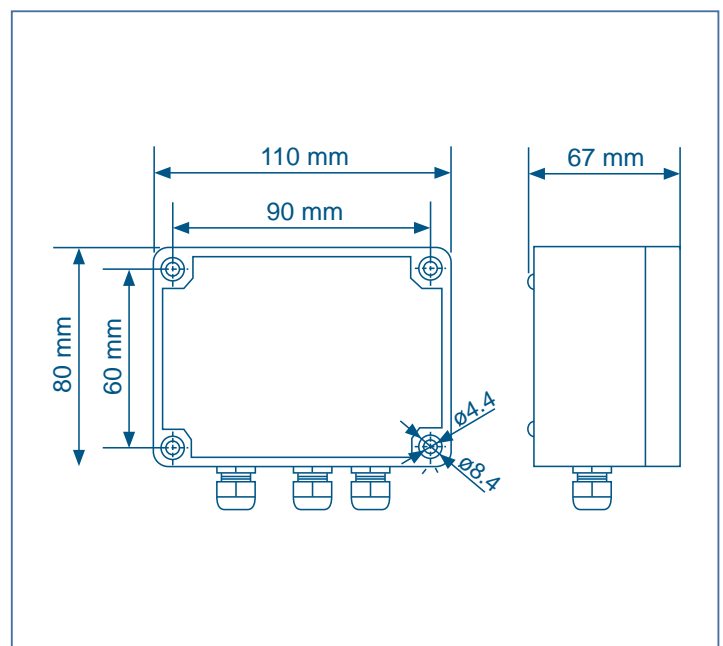
Technical Specifications

General	
Display	LED 6 x 13mm High Red Adjustable Brightness
Displayed Values	-99999 ± 999999
Stability	50 ppm °C
Transmission Parameters	1200...115200 bit/s, 8N1 / 8N2
Protection Class	NEMA 4X IP67
Input Signal Supply	
Standard	Current: 4-20mA 0-20mA 0-5V* 0-10V*
Voltage	85 - 260V AC/DC 16 - 35V AC, 19 - 50V DC*
Output Signal Supply	
Standard	2 x Relays (5A) 1 x Relay (5A) + 4-20mA
Voltage	24VDC
Passive Current Output *	4-20mA (Operating Range Max. 2.8 - 24mA)
Performance	
Accuracy	0.1% @ 25°C One Digit
Temperatures	
Operating Temperatures	-40 - 158°F -40 - 70°C
Materials Wetted	
Housing	Polycarbonate

Pin Assignment



Dimensional



Model Selection

Part Number	Input	Output
TVF-500-1121	4-20mA	2 Relay
TVF-500-1129	4-20mA	4-20mA + 1 Relay
TVF-500-1421	Pulse	2 Relay
TVF-500-1429	Pulse	4-20mA + 1 Relay

*Contact Factory for different options

*Optional