

# RXi – Web Panel





# Contents

<b>Section 1: Getting Started.....</b>	<b>3</b>
1.1 Features .....	3
1.2 Specifications .....	4
1.3 Technical Drawings & Dimensions .....	6
1.4 Brief Description of RXi – Web Panel .....	12
<b>Section 2: Hardware .....</b>	<b>18</b>
2.1 Key Features.....	18
2.2 Motherboard Specifications.....	19
2.3 Jumpers and Connectors Locations .....	20
2.3.1 Setting Jumper Functions .....	20
2.3.2 Socket Description .....	20
2.3.2.1 Connecting Input Power (24V DC-in).....	20
2.4 LED Indicators .....	24
2.4.1 Operation Status LEDs (Screen) .....	24
2.4.2 Ethernet Port Operation LEDs .....	24
<b>Section 3: Software Installation.....</b>	<b>25</b>
3.1 Installation Pictures .....	25
<b>Section 4: Mounting Information .....</b>	<b>27</b>
4.1 Panel Mount .....	27
4.1.1 Panel Mount Installation Steps .....	28
4.2 Mounting to Modular Display .....	29
4.3 VESA Mount .....	32

# Section 1: Getting Started

## 1.1 Features

Primary technical features:

- Industrial Web Panel
- Flat front panel touch screen
- IP66 compliant front panel
- Fanless design
- 24V DC power input
- System Power LED light
- Auto Dimming Function

## 1.2 Specifications

	Display Size	7"	10"	12"	15"	19"	24"	
Display	Resolution	1024 x 600 WSVGA	1280 x 800 WXGA		1920 x 1080 Full HD			
	Format	Widescreen (16:10)			Widescreen (16:9)			
	Orientation	Landscape						
	Reading Angle (°)	150 (H) / 145 (V)	170 (H) / 170 (V)	176 (H) / 176 (V)	170 (H) / 170 (V)	178 (H) / 178 (V)		
	Display Off-Color	Black						
	Contrast	800:1		1000:1	800:1	1000:1	5000:1	
	Brightness (cd/m2)	500 (1000 with Outdoor SLR Screen)		400 (1000 with Outdoor SLR Screen)	450 (1000 with Outdoor SLR Screen)	350	300	
	MTBF Backlighting	50 000 h (at 25°C)						
	Backlight	LED, Dimmable via Software						
	Processor i.MX 6DualLite	Processor	Freescale i.MX 6DualLite					
		# of cores/TDP	2 core/2.5W					
CPU frequency		1.0Ghz						
Memory	Capacity	2GB DDR3L						
Storage	Internal	4GB eMMC NAND Flash Memory						
Watchdog Timer	Setup	Setup by software						
Operating Control	Method	Touch						
Touchscreen	Technology	Projected Capacitive Touch (PCT/PCAP)						
	Touch Sensor	Multi-touch (Ten-Point)						
Interfaces	Port 1	1 x 10/100/1000 Base T Ethernet RJ45						
	Port 2	1 x RS-232/422/485 COM Port (DB-9 connector)						
	Port 3	1 x USB 2.0 (Type-A) 1 x USB OTG (micro USB)						
Status Indicators	Front Bezel Tri-color LED	Amber/Green/Red						
	On-board Buzzer	Yes (85dB sound level with 80mA mean current)						
Power-Supply	Voltage [V]	+24VDC ±20% (19.2 V to 28.8 V, 3-Pin Connector)						
Protection-Class	Front-Side	IP66 (When Installed to a Wall/Panel)						
	Back-Side	IP20						
Operating System	OS	Linux kernel 4.1.15:Yocto						
	Framework	Qt 5.6.2						
Software Tools	Tool 1	Qt WebKit / Web Browser						
	Tool 2	HTML5 Capability						

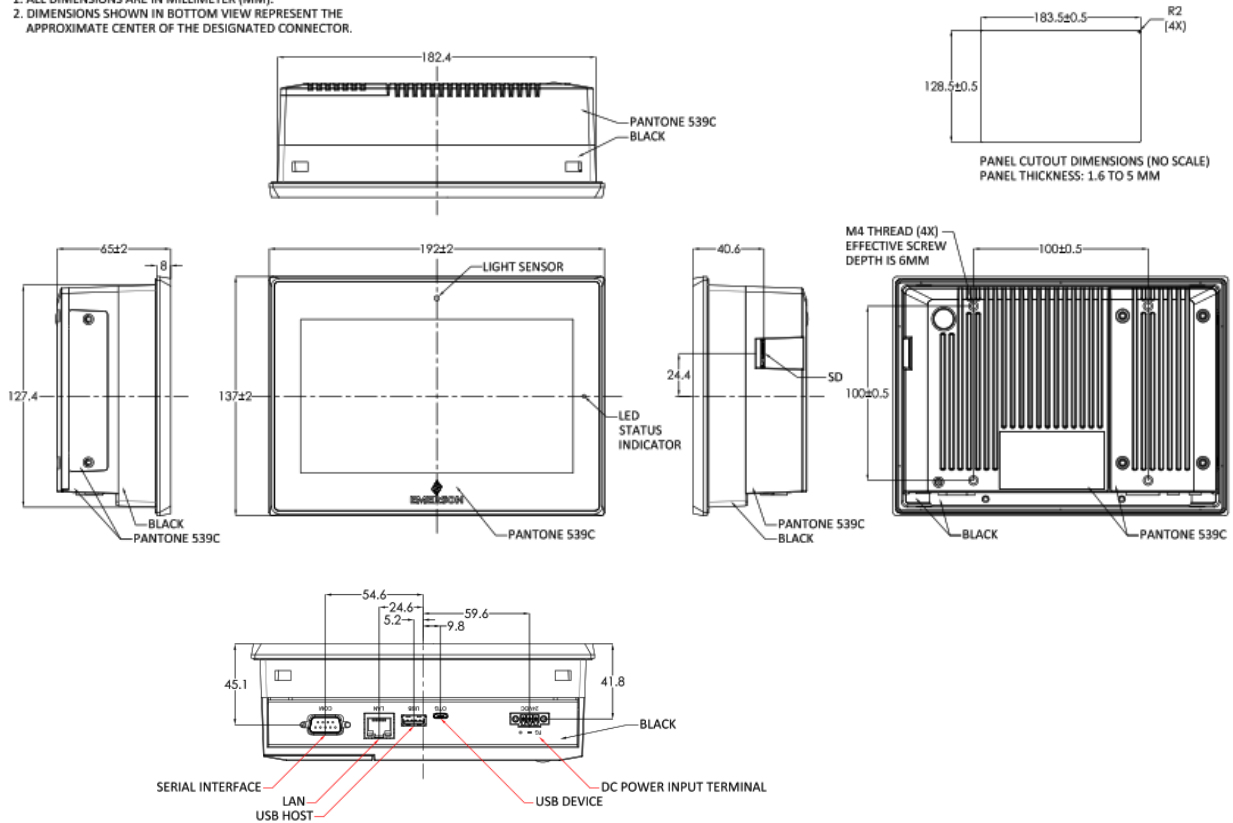
	Display Size	7"	10"	12"	15"	19"	24"
Secure & Trusted Boot	Item 1	CAAM					
	Housing	Aluminum Die Casting (Front)					
Design	Construction Type	Modular (Detachable Modules; Computer, Monitor, Touch Display, DIO)					
	Cooling	Natural Convection (Fanless Passive Cooling)					
	Operating Temperature	-20°C to +65°C					
Environment	Storage Temperature	-30°C to +70°C					
	Operating Humidity	85% RH (non- condensing) @ 30°C					
	Operating Altitude	10000 ft. (3.000 m)					
	Vibration	1Grms / 5 ~ 500Hz (Random) / Operation IEC 60068-2-64 10G peak acceleration (11 msec. duration)/operation IEC 60068-2-27					
	Compliance	Certifications	UL and cUL 62368, UL and cUL 61010, IECCE CB Scheme				
UL TYPE 4 & 4X, IP66 (ANSI/IEC 60529)							
CE (EN 62368, EN 61000-6-4, 61000-6-2)							
FCC Part15 Class A							
RoHS							
Certifications Coming Q4 2019		UL Listed US/CAN Hazardous Locations: Class 1 Division 2, Class 2 Division 2, Class 3 Division 1					
		ATEX Zone 2/22 & IECEX					
		BIS					
		Marine; DNV, ABS, BV, LR					
Mounting		Panel Cutout Dimensions (W x H)	183.5 x 128.5 mm	255.5 x 174 mm	317 x 214.5 mm	398 x 245.5 mm	482 x 297 mm
	VESA Mounting	75 x 75		100 x 100			
	Hardware Included	Mounting Clamps and Allen Screws					
Physical Specification	Net Weight (kg)	2.0	2.6	3.8	5.1	6.9	9.0
	Dimensions (W x H x D)	192 x 137 x 65 mm	267 x 186.2 x 65 mm	329.1 x 226.8 x 66 mm	410.2 x 257.6 x 65 mm	500 x 315 x 70 mm	600 x 382 x 71 mm

# 1.3 Technical Drawings & Dimensions

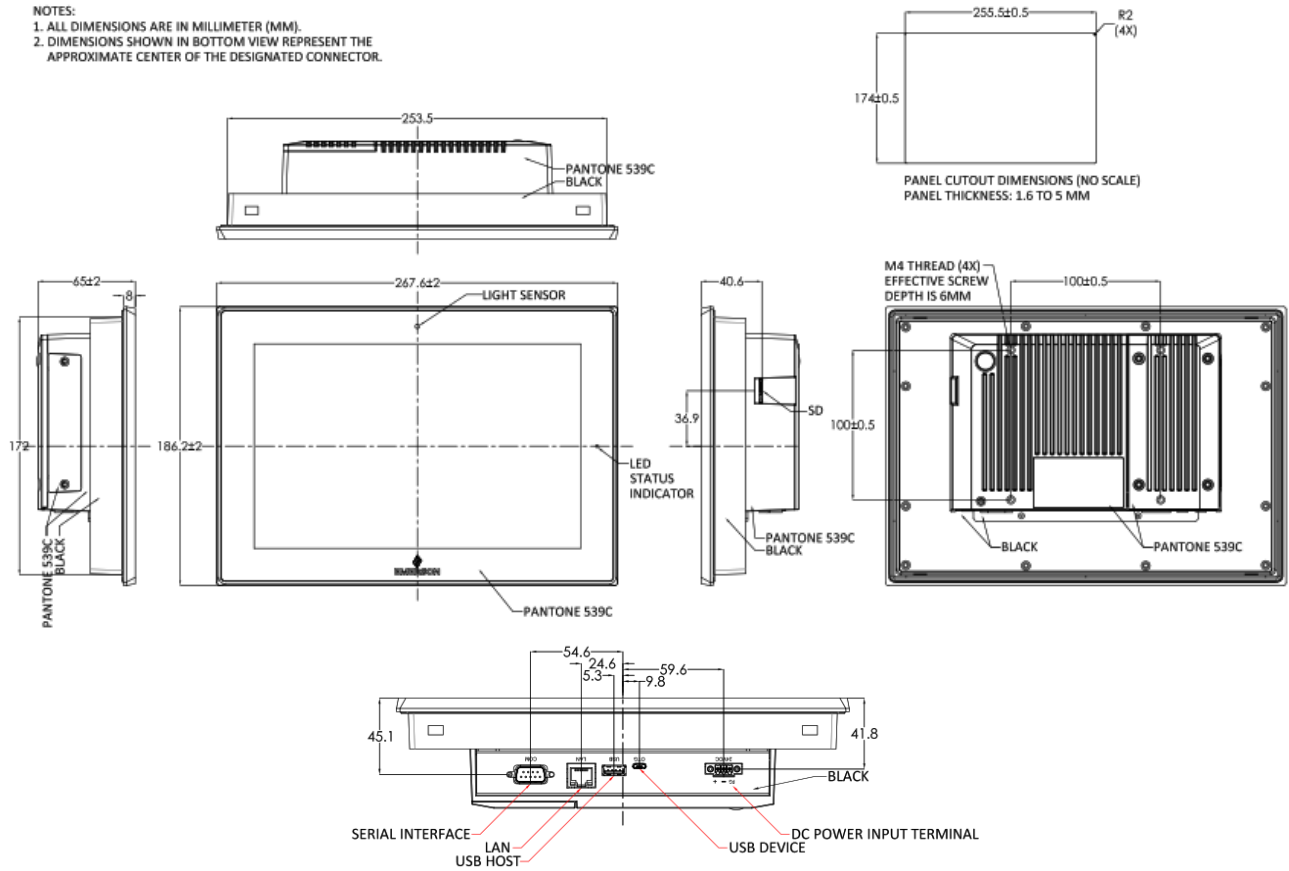
**Figure 1.1 Dimensions of 7"**

**NOTES:**

- 1. ALL DIMENSIONS ARE IN MILLIMETER (MM).
- 2. DIMENSIONS SHOWN IN BOTTOM VIEW REPRESENT THE APPROXIMATE CENTER OF THE DESIGNATED CONNECTOR.

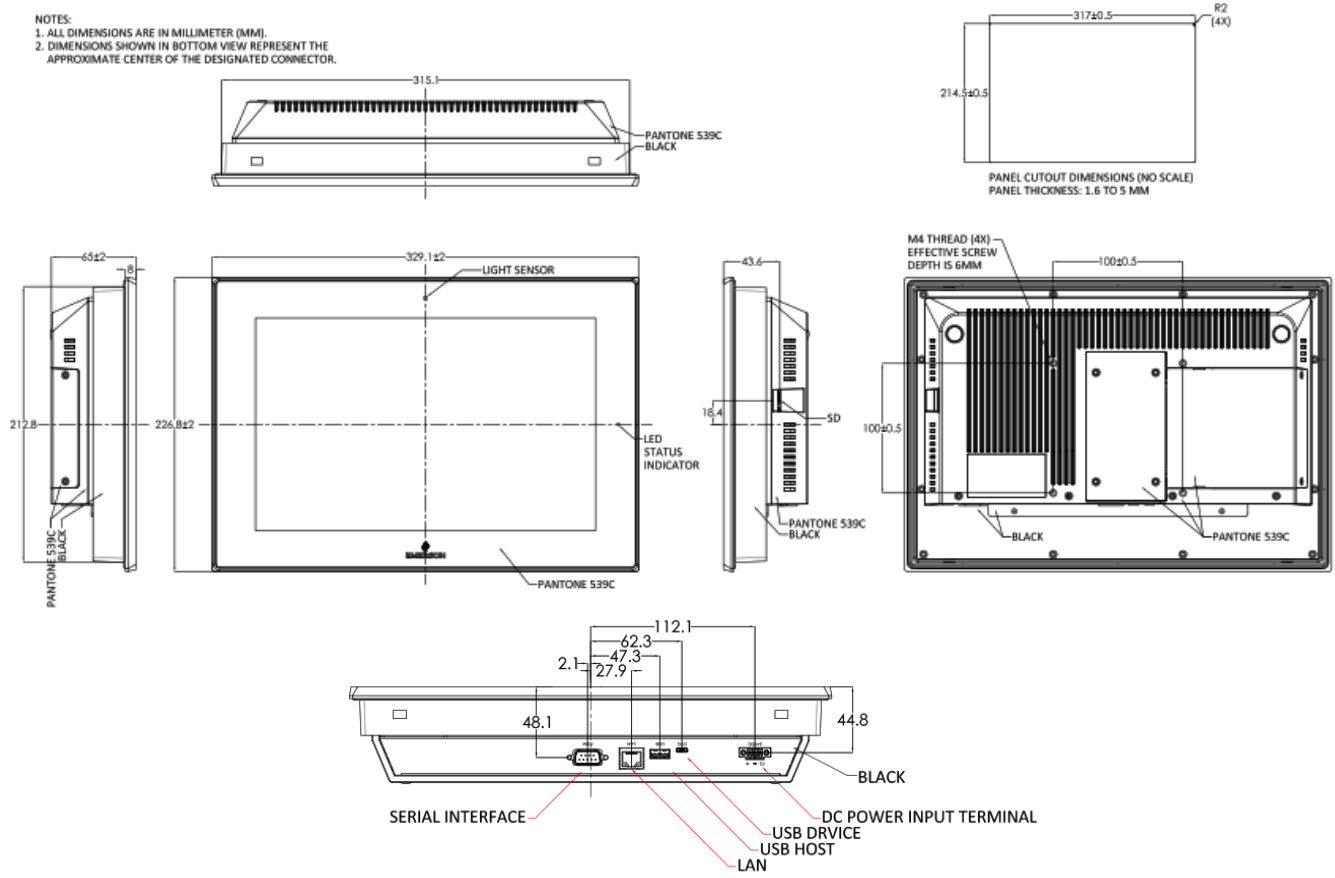


**Figure 1.2 Dimensions of 10"**

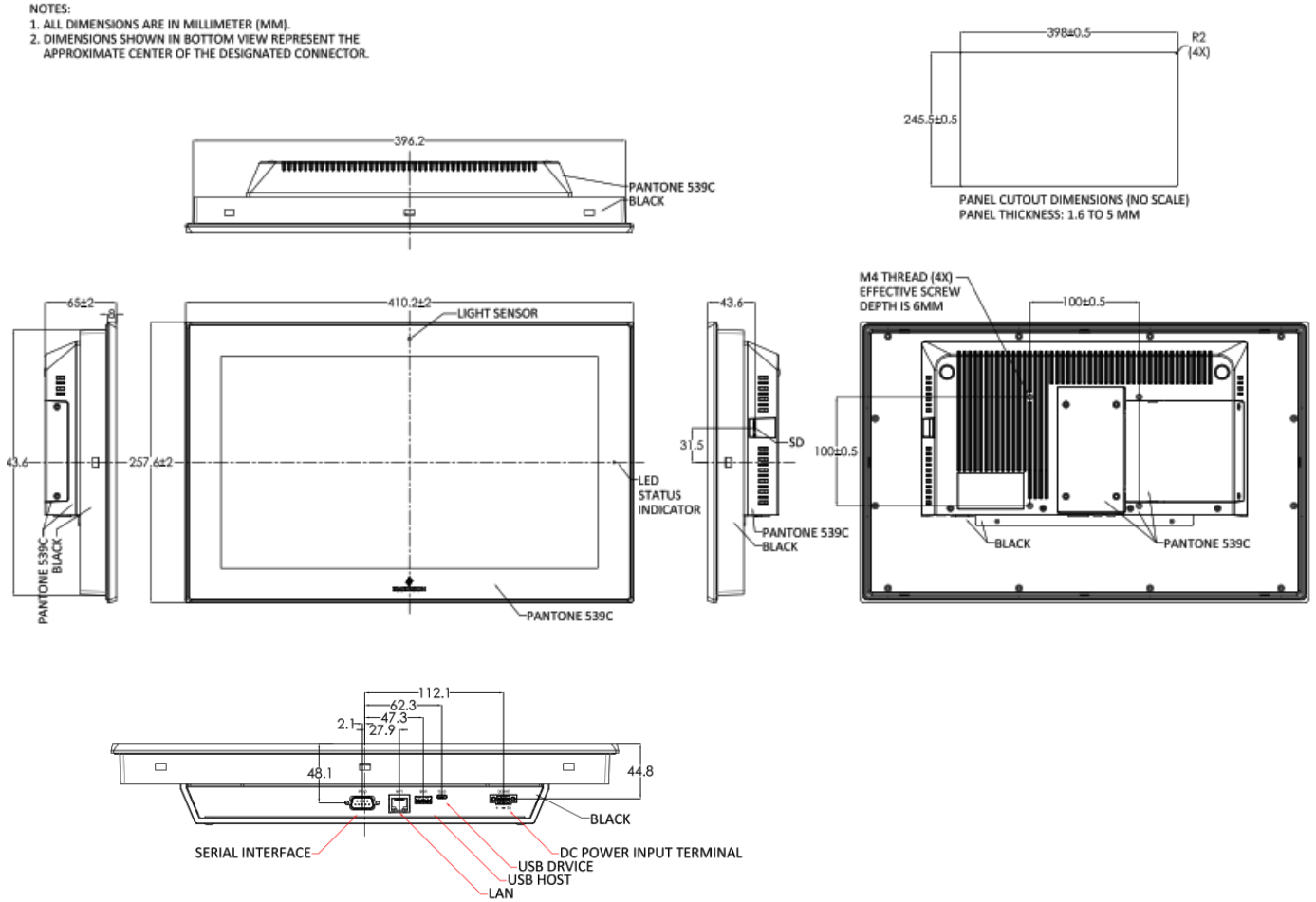




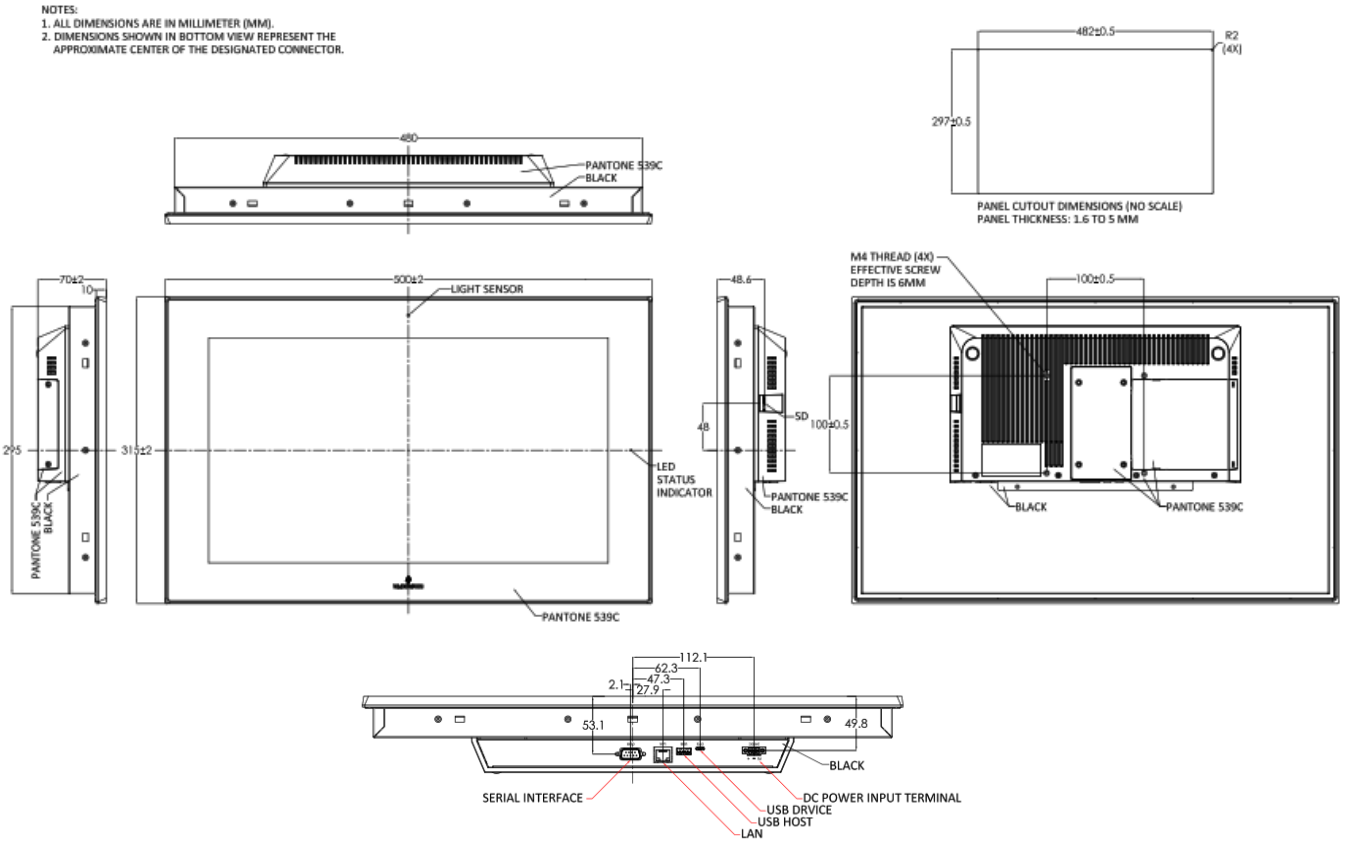
**Figure 1.3 Dimensions of 12"**



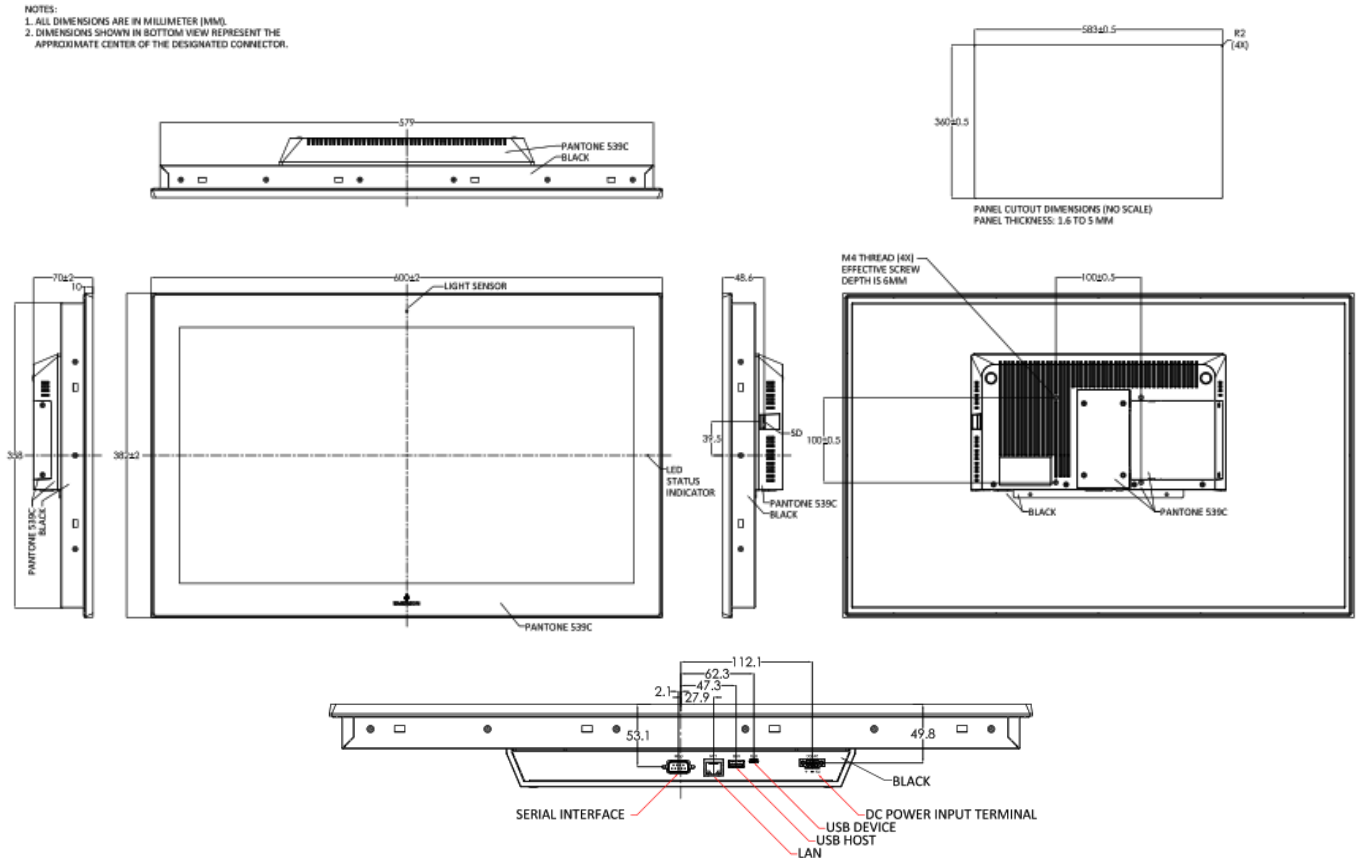
**Figure 1.4 Dimensions of 15"**



**Figure 1.5 Dimensions of 19"**



**Figure 1.6 Dimensions of 24"**



## 1.4 Brief Description of RXi – Web Panel

The RXi - Web Panel is powered by a Freescale i.MX 6 DualLite 1.0Ghz SoC which is coupled with 2GB of onboard DDR3L memory. The Web Panel series comes in 7”, 10”, 12”, 15”, 19”, and 24” sizes, and feature a high-resolution TFT LCD, 1 x USB 2.0 type A, 1 x USB OTG (micro USB), 1 x RS-232/422/485 COM Port (DB-9 connector)(Default RS-232), 1 x 10/100/1000 Base T Ethernet RJ45 and 1 x 3-pin DC Power input terminal. The models come with a projected capacitive touch screen, and support +24VDC  $\pm 20\%$  (19.2 V to 28.8 V, 3-Pin Connector), non-isolated power input.

**Figure 1.7 Front View of 7”**



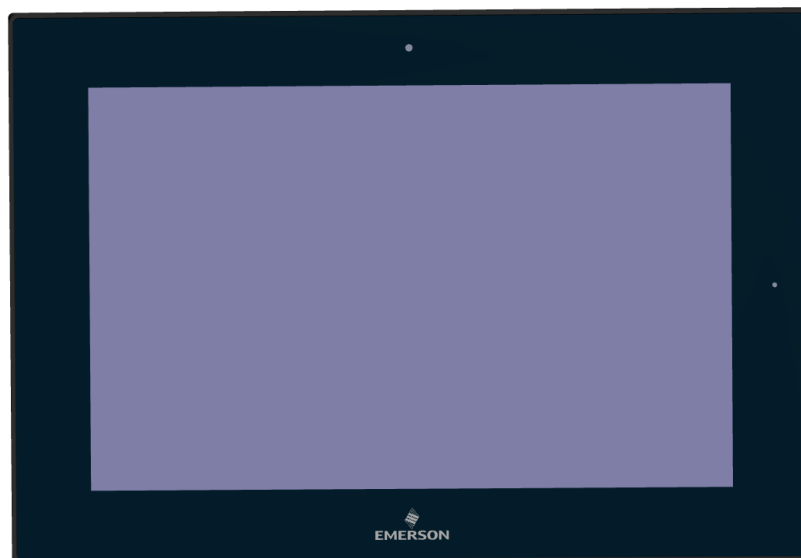
---

**Figure 1.8 Front View of 10”**



---

**Figure 1.9 Front View of 12”**



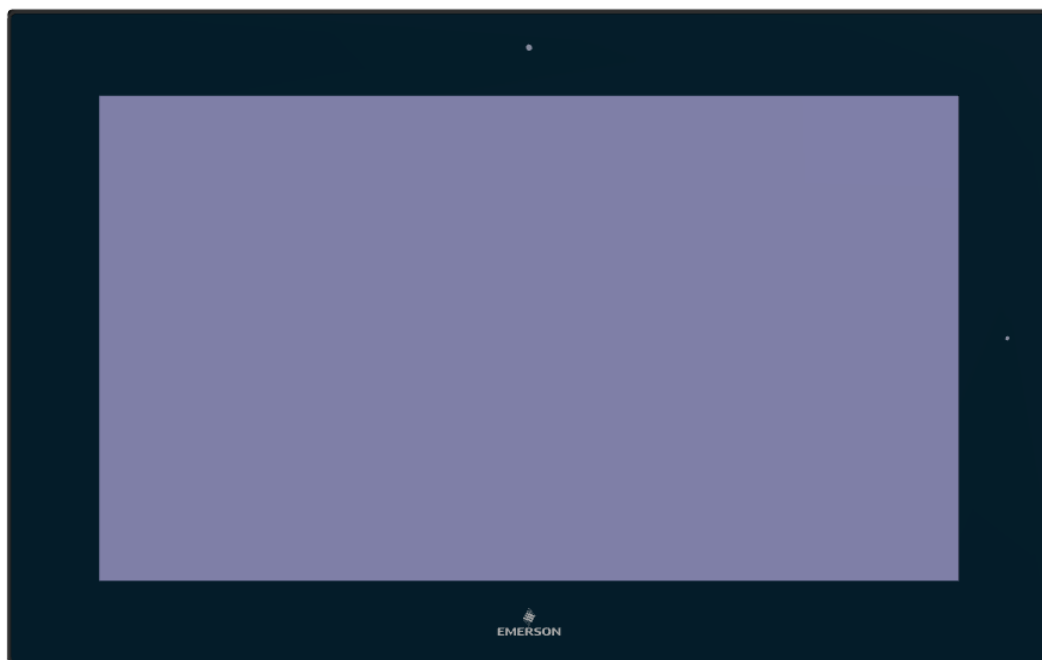
---

**Figure 1.10 Front View of 15"**



---

**Figure 1.11 Front View of 19"**



---

**Figure 1.12 Front View of 24”**



---

**Figure 1.13 Rear View of 7”**





---

**Figure 1.14 Rear View of 10"**



---

**Figure 1.15 Rear View of 12"**



---

**Figure 1.16 Rear View of 15"**



---

**Figure 1.17 Rear View of 19"/24"**



## Section 2: Hardware

### 2.1 Key Features

Key features include:

- Freescale ARM Cortex A9 i.MX6 Dual Lite 1.0GHz SoC
- Onboard 2GB DDR3L SDRAM
- Onboard 4GB eMMC Flash
- 1 x 10/100/1000M Ethernet
- 1 x RS232/422/485
- 1 x USB 2.0 Type A
- 1 x USB OTG, Micro USB

## 2.2 Motherboard Specifications

<b>Board Size</b>	170mm x 113mm, 10 Layers, 1.6mm
<b>CPU Support</b>	Freescle ARM Cortex A9 i.MX6 Dual Lite 1.0GHz
<b>Memory Support</b>	Onboard 2GB DDR3L SDRAM
<b>Storage</b>	Onboard 4GB eMMC Flash Onboard Micro SD Card slot
<b>Ethernet</b>	1 x 10/100/1000MHz, RJ45 connector
<b>Outside I/O</b>	1 x USB 2.0, Type A connector 1 x RS-232/422/485, DB9 connector 1 x USB OTG, Micro USB connector
<b>Internal I/O</b>	1 x Debug port
<b>Battery</b>	CR2032 Coin Cell
<b>Watchdog Timer</b>	System Reset, Programmable via Software from 1 to 255 Seconds/Minutes
<b>Temperature</b>	Operating: -20 to 65°C Storage: -40 to 70°C
<b>Humidity</b>	Storage: 10 to 90% @40°C
<b>OS Support</b>	Linux Kernel 4.9.11 + Chromium Browser 54.0.2810.2 (Chromium 54 Over)

## 2.3 Jumpers and Connectors Locations

### 2.3.1 Setting Jumper Functions

Before installing the Web Panel, please set the necessary functions following the chart below.

Note: To determine Pin 1 of the jumper and port, please observe the marking beside the plug. it will be marked as “1”, a bolded line or a “Δ”; see the welding plate at back side, the square welding plate is Pin 1.

(1) Setting Jumper Functions (SW1)

SW1: 2bit switching ON/OFF, used to set the recording and the starting mode of the Motherboard.

SW1		ON	OFF
	1.BOOT_MODE1_S	DOWNLOAD MODE	NORMAL MODE
2.BOOT_DEV	SD	DEFAULT	

**Figure 2.4 Jumper Function (SW1)**

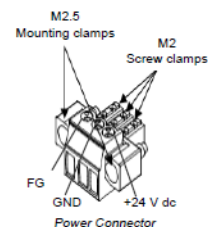


### 2.3.2 Socket Description

#### 2.3.2.1 Connecting Input Power (24V DC-in)

To connect to power, follow these steps:

1. Verify that the power cable is not energized.
2. Loosen the screw clamps on the mating power connector.
3. Strip the insulation from the power cables.
4. Secure the power cable to the mating connector, noting polarity, and tighten the screw clamps. The torque for the attaching screws is 0.3 Nm (2.26 in-lb).



5. Apply dc power to the unit. During normal startup and operation, the LED status indicator displays as follows:
  - Solid amber while the RXi - Industrial Display unit is starting up
  - Solid green during normal operation
6. Once power is applied, the unit begins initializing. The first thing to display is the splash screen.

Be sure to connect a DC power cord to this 3-pin power connector. Using a voltage out of the range may fail to boot the system or cause damage to the system board.

Before connecting the Web Panel to other devices, please read this manual carefully first to prevent damage to the Motherboard.

(1) Power Socket (DC\_IN1)

DC\_IN1: (Conn. Header Socket, 3.5mm, 1 x 3PIN), used to provide 24V voltage for the system.

DC_IN1 Pin#	Signal
Pin1	FG
Pin2	DC_IN-
Pin3	DC_IN+

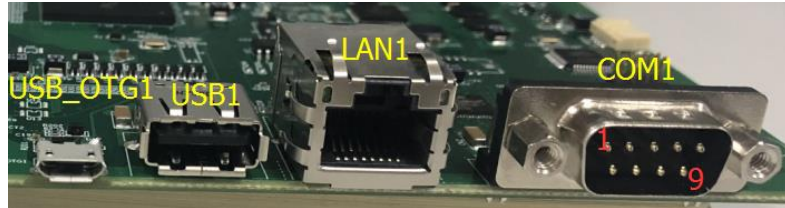
**Figure 2.5** Power Socket (DC\_IN1)



(2) USB Socket (USB\_OTG1/USB1)

USB\_OTG1: Conn. Mini-USB, B-Type Female, SMD-5P With DIP 4pin, used to load system firmware

**Figure 2.6 USB, LAN, and COM Ports**



USB_OTG1 Pin#	Signal Name
1	5V_USB_OTG
2	USB_OTG_DN
3	USB_OTG_DP
4	USB0_ID
5	GND

USB1: Type A connector, supports USB devices.

USB_OTG1 Pin#	Signal Name
1	5V_USB_HOST1
2	USBDN_DM1
3	USBDN_DP1
4	GND
5	GND
6	GND

(3) LAN Socket (LAN1)

LAN 1: Conn. I/O Port, RJ45, 1000M, provide a solid RJ45 Ethernet Dock, GREEN denotes data transfer, YELLOW verifies a connection to Internet.

(4) Connecting Socket (COM1)

COM1: Conn. I/O Port, RS232, DB9, Male. Standard DB9 port, provide 1 route for RS232/422/485.

COM1 Pin#	Signal Name
1	DCD1-_422TX-_485-
2	RXD1_422TX+_485+
3	TXD1_422RX+
4	DTR1-_422RX-
5	GND
6	NC
7	NC
8	NC
9	NC

(5) Debug Socket (DEBUG1)

DEBUG1: Conn. 1.25mm, (DF14 with pointing) SMD-4P, use for debugging information.

DEBUG Pin#	Signal Name
1	3P3V_S0_IO
2	UART1_TXD_DEBUG
3	UART1_RXD_DEBUG
4	GND

(6) SD-Card Socket (SD1)

SD1: Socket, mini SD/TF Card, 9 pin, SMD, supports SD/TF Card devices.

(7) BAT1 Socket (BAT1)

BAT1: BAT Socket, BS-10-A1B0J001, 20mm SMT, supports non-chargeable batteries. CR-2032

(8) Backlight Board Socket (BTB\_MAIN\_TB572B\_1)

BTB\_MAIN\_TB-572B\_1: Conn. Female, WCON, 2243-225M3CUT, 2 x 25P, 2.00mm, 180°, H=4.35, 10u", SMD-50P, TB-572B Backlight Board Socket.



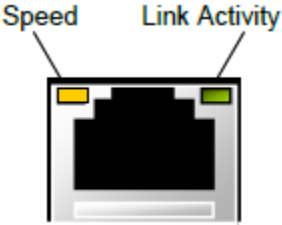
## 2.4 LED Indicators

### 2.4.1 Operation Status LEDs (Screen)

All RXi Industrial Displays have a tri-color LED built into the screen that provides visual indication of the operation status.

LED State	System State
Amber, Solid	Operating system starting
Green, Solid	Normal operating state
Green, Blinking	Backlight off
Red, Blinking	Backlight failure
Off	Power not applied to unit

### 2.4.2 Ethernet Port Operation LEDs

	LED	LED State	Operating State
	Speed	Yellow, ON	10/100/1000
Link Activity	Green, ON	Link Status	

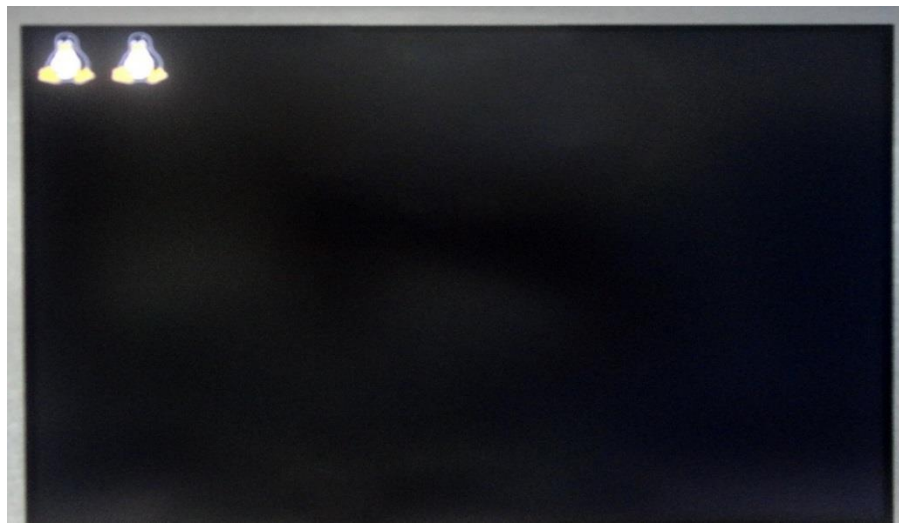
## Section 3: Software Installation

### 3.1 Installation Pictures

The following images show typical screens during software installation.

The operating system for the RXi – Web Panel is Linux.

**Figure 3.1 Linux**



The web browsers Chromium, and Firefox are both compatible with the RXi – Web Panel.

**Figure 3.2 Chromium Browser**

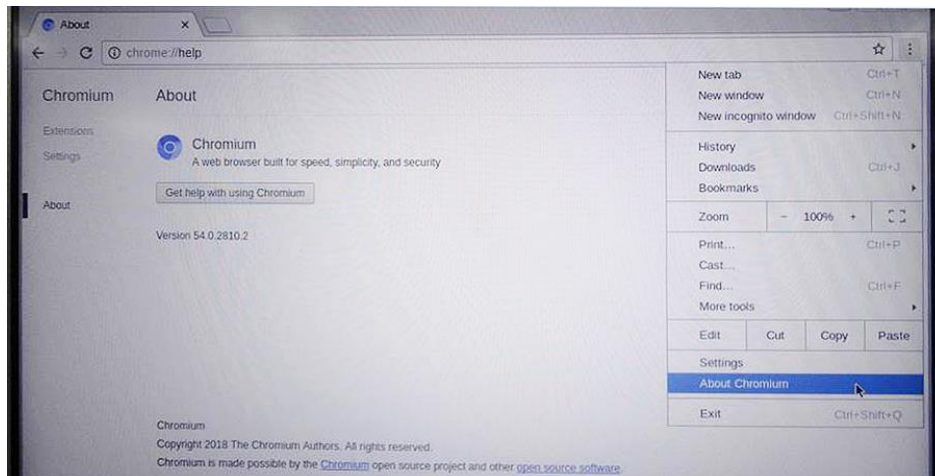
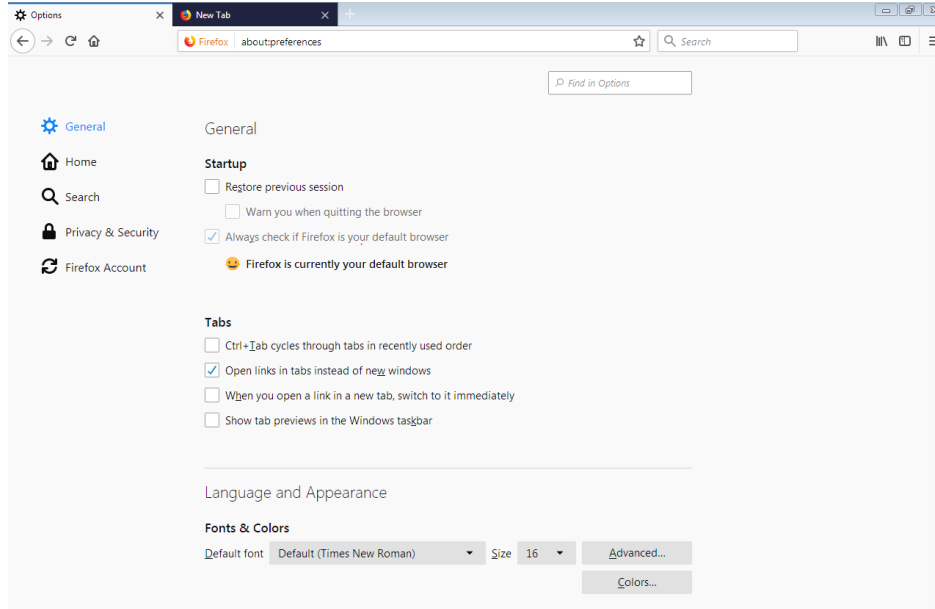


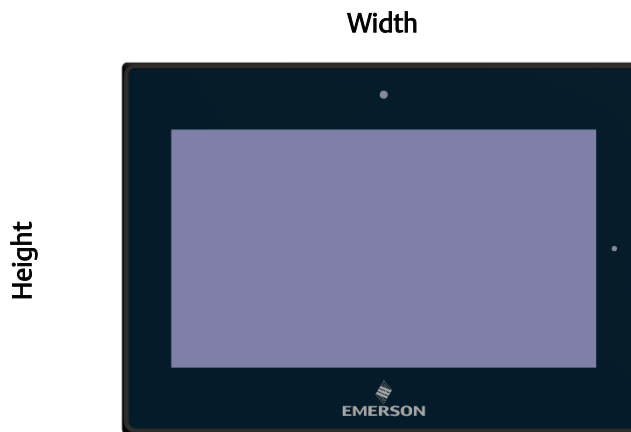
Figure 3.3 Firefox Browser



# Section 4: Mounting Information

## 4.1 Panel Mount

Figure 4.1 Panel Cutout Dimension Definitions



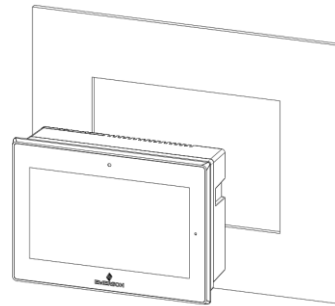
Display Size (in)	Width (mm)	Height (mm)
7	183.5	128.5
10	255.5	174
12	317	214.5
15	398	245.5
19	482	297
24	581	360

## 4.1.1 Panel Mount Installation Steps

1. Verify that the gasket is present and properly seated in the bezel channel located on the sides of the unit
2. Insert the Web Panel into the mounting panel cutout

---

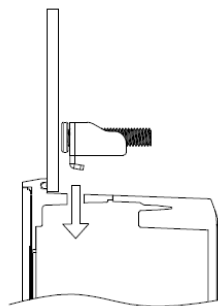
**Figure 4.2 Panel Install View**



- 
3. Insert the hook of the mounting bracket into the mounting hole as displayed in the following figure.

---

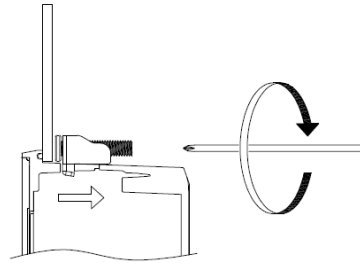
**Figure 4.3 Mounting Bracket Insertion**



4. Tighten the screws on the mounting bracket in a clock-wise direction.

---

**Figure 4.4 Tighten Mounting Bracket**

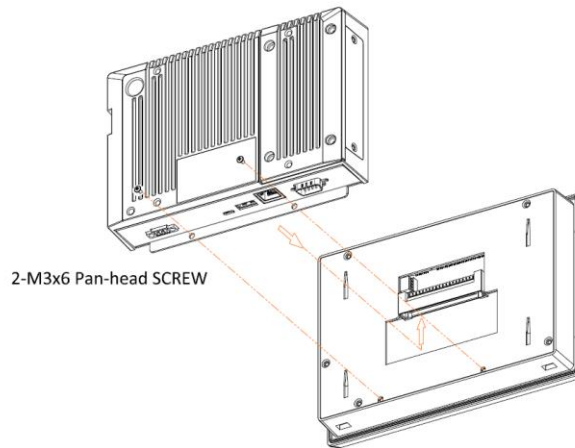


---

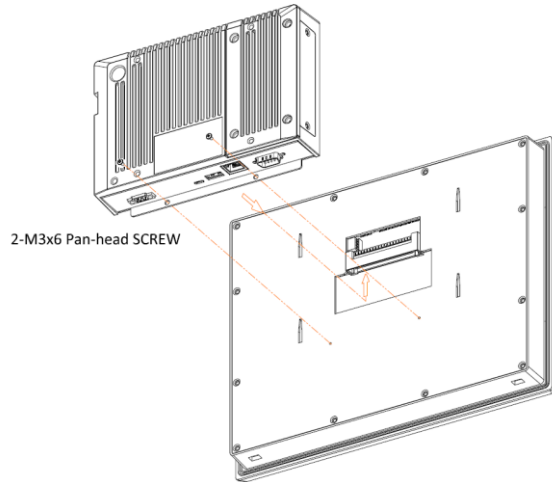
## 4.2 Mounting to Modular Display

---

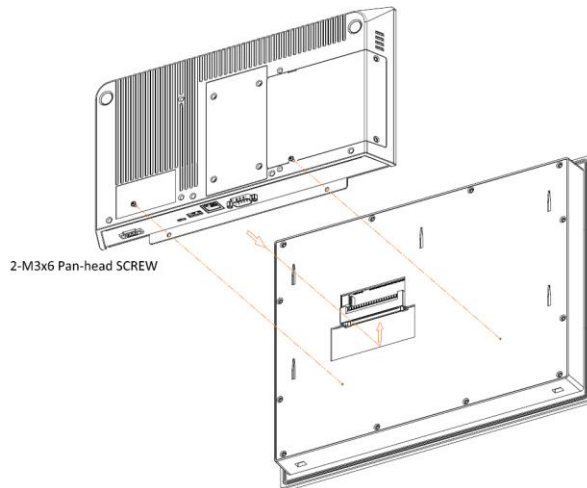
**Figure 4.5 7" Mount**



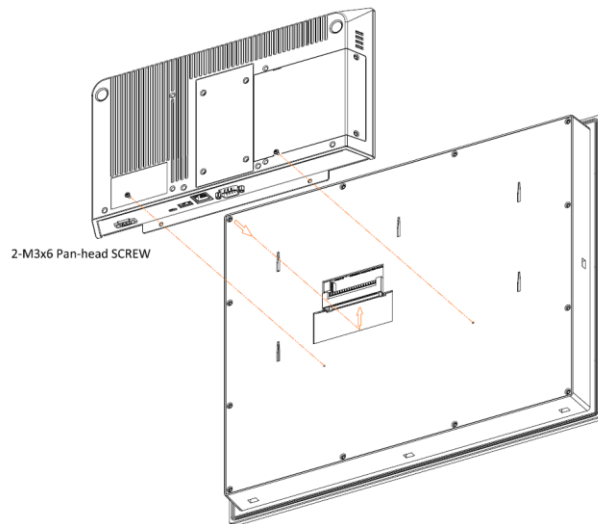
**Figure 4.6 10" Mount**



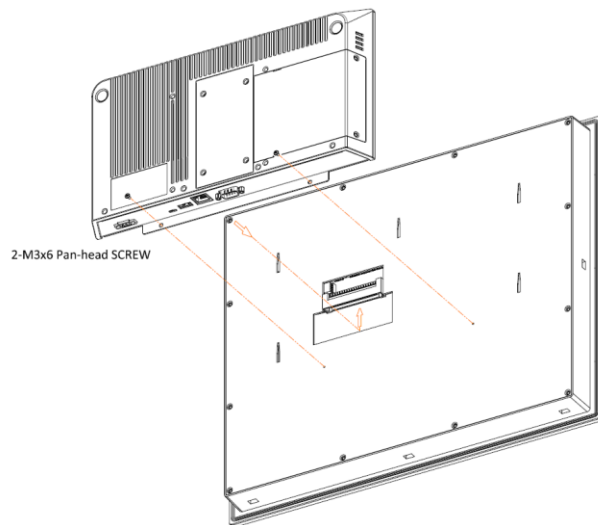
**Figure 4.7 12" Mount**



**Figure 4.8 15" Mount**



**Figure 4.9 19"/24" Mount**





## 4.3 VESA Mount

Figure 4.10 7" VESA Mount

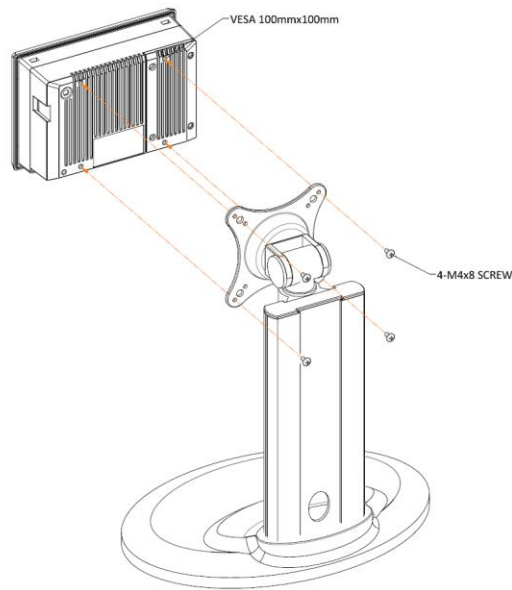
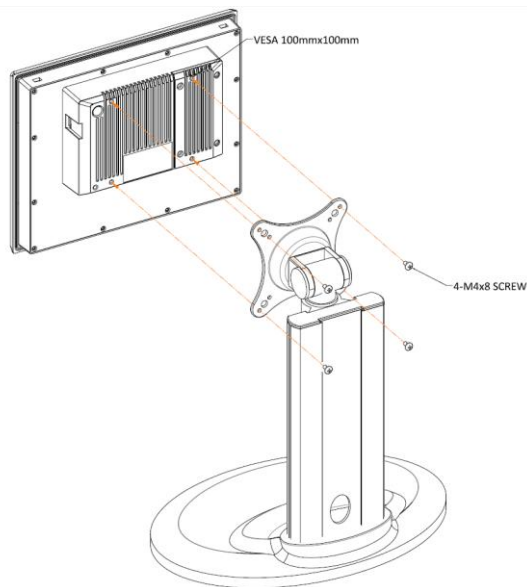
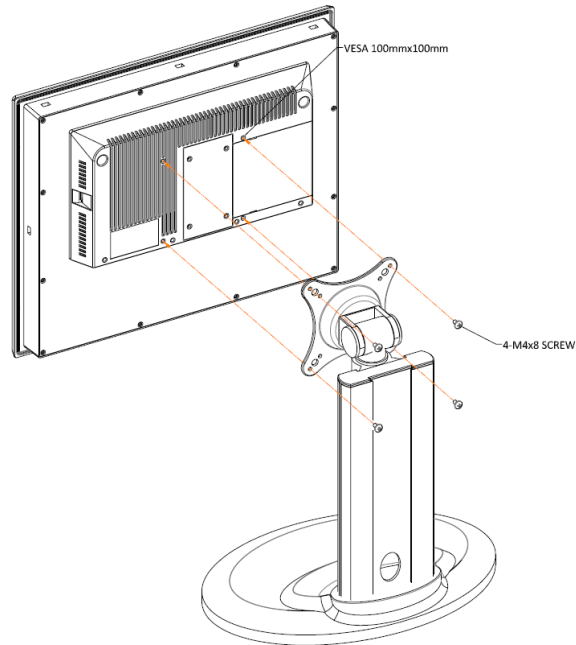


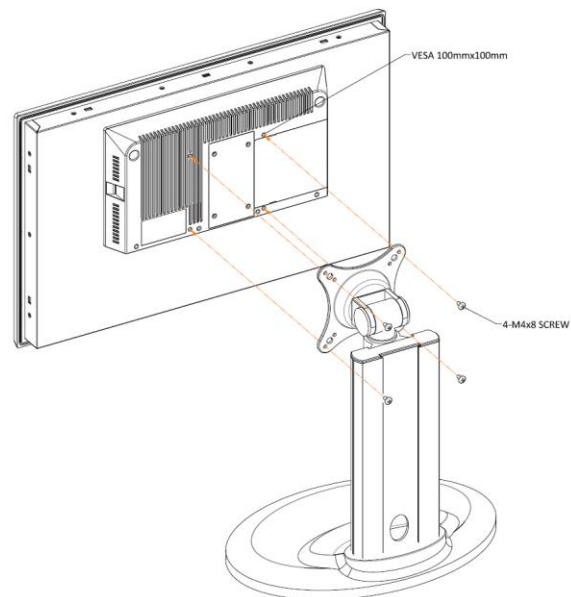
Figure 4.11 10" VESA Mount



**Figure 4.12 12"/15" VESA Mount**



**Figure 4.13 19"/24" VESA Mount**



## Contact Information:

### **North & South America**

18703 GH Circle  
PO Box 508  
Waller, Texas 77484  
USA  
T +1 281 727 5300

2500 Park Avenue West  
Mansfield, Ohio 44906  
USA  
T +1 419 529 4311

9009 King Palm Drive  
Tampa, Florida 33619  
USA  
T +1 813 630 2255

4112-91A Street  
Edmonton, Alberta T6E5V2  
Canada  
T +1 780 450 3600

Av. Hollingsworth,325  
Iporanga  
Sorocaba, SP 18087-105  
Brazil  
T +55 15 3238 3788

### **Europe**

Asveldweg 11  
7556 BT Hengelo(O)  
The Netherlands  
T +31 74 256 1010

Siemensring 112  
D-47877 Willich  
Germany  
T +49 2154 499 660

30/36 Allee du Plateau  
93250 Villemomble  
France  
T +331 48 122610

6 Bracken Hill  
South West Industrial Estate  
Peterlee, Co Durham  
SR82LS, United Kingdom  
T +44 191 518 0020

3 Furze Court  
114 Wickham Road  
Fareham, Hampshire  
PO167SH, United Kingdom  
T +44 132 984 8900

Via Montello 71/73  
20038 Seregno  
Italy  
T +39 0362 2285207

Selska cesta 93  
10000 Zagreb  
Croatia  
T +385 913654292

ul. Konstruktorska str 11A  
02-673 Warsaw  
Poland  
T +48 22 4589237

Hungári körút 166-168  
H-1146 Budapest  
Hungary  
T +36 14624034

Hajkova 2747/22  
130 00 Praha 3  
Czech Republic  
T +42 2 81002666

Zeleznicarska 13  
811 04 Bratislava  
Slovakia  
T +42 1252442071

Blegistrasse 21,  
P.O. Box 1046  
CH 6341 Baar  
Switzerland  
T +41 (41) 7686215

2-4, Gara Herastrau St.  
District 2, Nova Building,  
5th floor 020334 Bucharest  
Romania  
T +40 212062506

Icerenkoy MAh. Topcu Ibrahim  
Sk.  
No:13 K:4 Icerenkoy  
Istanbul, Turkey  
T +90 2165739848408

### **Middle East & Africa**

2 Monteer Road, Isando  
Kempton Park, 1600  
South Africa  
T +27 11 974 3336

PO Box 17033  
Jebel Ali Free Zone  
Dubai,  
United Arab Emirates  
T +971 4883 5235

### **Asia Pacific**

19, Kian Teck Crescent,  
Singapore 628885  
T +65 6501 4600

471 Mountain Highway  
Bayswater, Victoria 3153  
Australia  
T +61 3 9721 0200

9/F Gateway Building  
No.10 Ya Bao Road  
Chaoyang District  
Beijing, P.R. China  
T +86 10 5821 1188

No 15 Xing Wang Road  
Wuqing Development Area  
Tianjin 301700  
P.R. China  
T +86 22 8212 3300

Lot 13112, Mukim Labu,  
Kawasan Perindustrian Nilai  
71807 Nilai, Negeri Sembilan  
Malaysia  
T +60 6 799 2323

Delphi B Wing, 601 & 602  
6th Floor, Central Avenue  
Powai, Mumbai 400076  
India  
T +91 22 6662 0566

NOF Shinagawa Konan Building  
1-2-5, Higashi-shinagawa  
Shinagawa-Ku, Tokyo  
140-0002 Japan  
T +81 3 5769 6873

Please visit our website for up to date product data.  
[www.Emerson.com](http://www.Emerson.com)

All Rights Reserved.

We reserve the right to modify or improve the designs or specifications of the products mentioned in this manual at any time without notice. Emerson does not assume responsibility for the selection, use or maintenance of any product. Responsibility for proper selection, use and maintenance of any Emerson product remains solely with the purchaser.

©2017 Emerson Electric Co.

