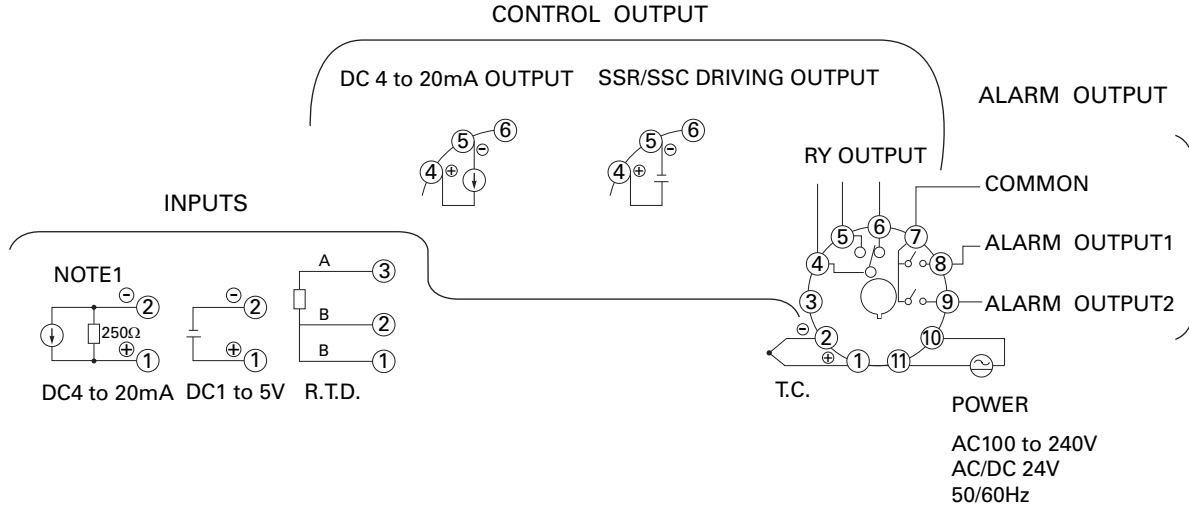


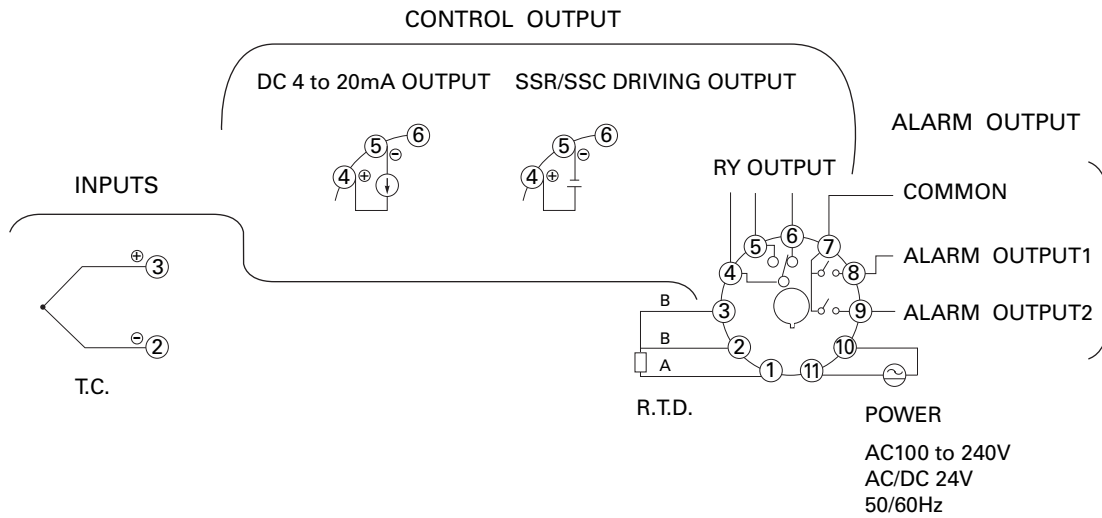
## CONNECTION DIAGRAM

(1) With alarm functions 11-pin socket

- When compatible with PXW4/PXZ4/PXV4 thermocouple input terminal  
(When either one of the following is selected for the 5th digit of the code symbols: "T," "R," "W," "A" and "B")  
Note that the terminal layout of the resistance bulb input type differs from that of PXW4/PXZ4/PXV4.



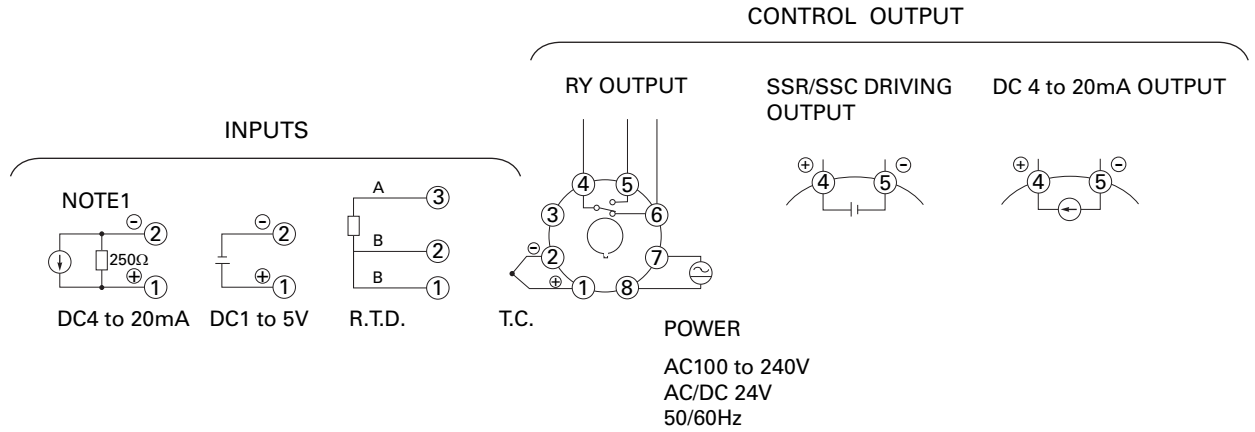
- When compatible with PXW4/PXZ4/PXV4 resistance bulb input terminal  
(When either one of the following is selected for the 5th digit of the code symbols: "N" and "S")  
Note that the terminal layout of the thermocouple input type differs from that of PXW4/PXZ4/PXV4.



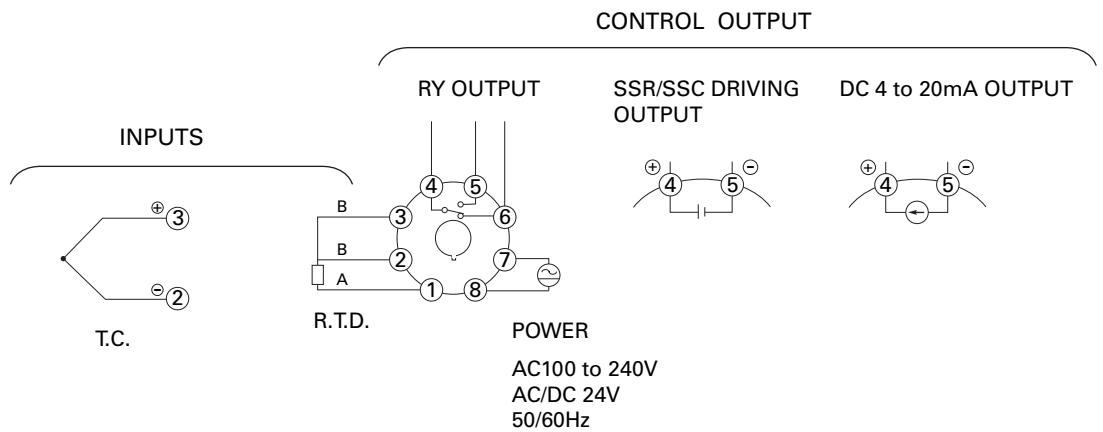
NOTE 1 : Use the 250Ω resistance (accessory).

(2) Without alarm functions 8-pin socket

- When compatible with PXW4/PXZ4/PXV4 thermocouple input terminal  
 (When either one of the following is selected for the 5th digit of the code symbols: "T," "R," "W," "A" and "B")  
 Note that the terminal layout of the resistance bulb input type differs from that of PXW4/PXZ4/PXV4.



- When compatible with PXW4/PXZ4/PXV4 resistance bulb input terminal  
 (When either one of the following is selected for the 5th digit of the code symbols: "N" and "S")  
 Note that the terminal layout of the thermocouple input type differs from that of PXW4/PXZ4/PXV4.

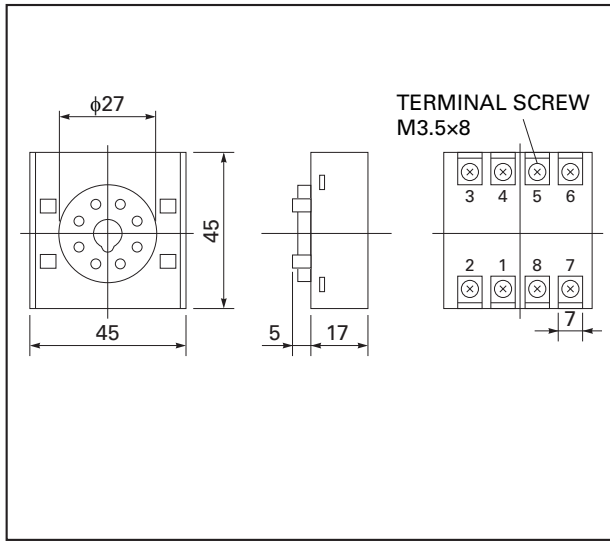


NOTE 1 : Use the 250Ω resistance (accessory).

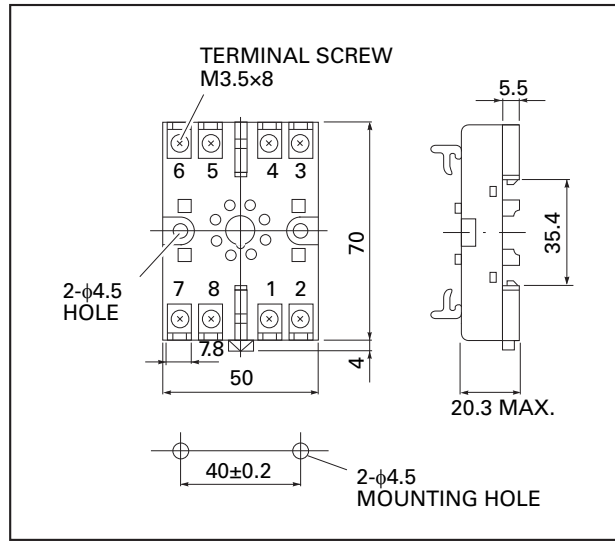
SOCKET OUTLINE DIAGRAM (Unit: mm)

Without alarm

TP48SB TYPE (FOR PANEL MOUNTING)

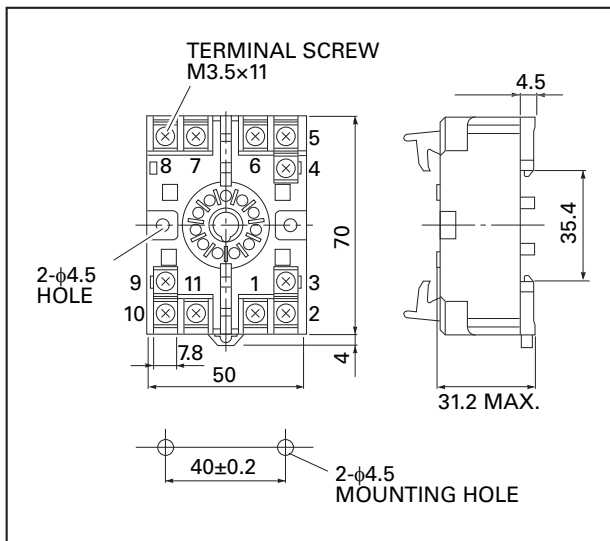


TP48X TYPE (FOR RAIL MOUNTING)

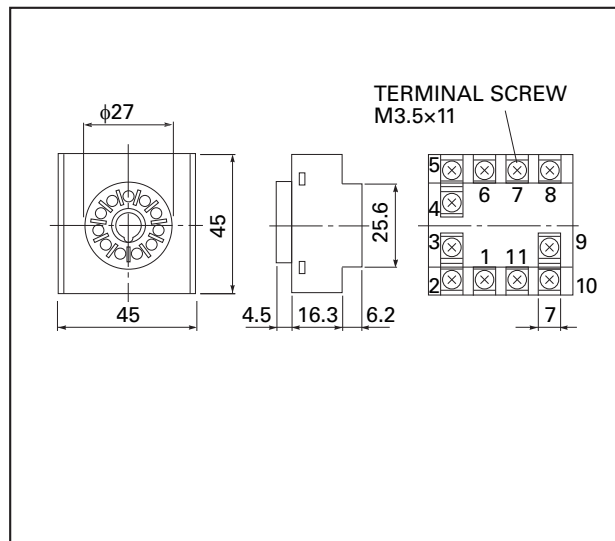


With alarm

TP411X TYPE (FOR RAIL MOUNTING)



TP411SBA TYPE (FOR PANEL MOUNTING)



⚠ Caution on Safety

\*Before using this product, be sure to read its instruction manual in advance.

Fuji Electric Systems Co., Ltd.

Head Office

Gate City Ohsaki, East Tower, 11-2, Osaki 1-chome,  
Shinagawa-ku, Tokyo 141-0032, Japan

<http://www.fesys.co.jp/eng>

Instrumentation Div.

International Sales Dept.

No.1, Fuji-machi, Hino-city, Tokyo, 191-8502 Japan  
Phone: 81-42-585-6201, 6202 Fax: 81-42-585-6187

<http://www.fic-net.jp/eng>

Information in this catalog is subject to change without notice.

Printed in Japan