



STANDARDS

- Valve body: ASME B16.34
- Material certification: EN10204-3.1 MTR
- Quality assurance: ISO 9001:2008
- Steel casting: MSS SP-55
- Valve marking: MSS SP-25
- End connection: ASME B1.20.1, ASME B16.11, ASME B16.25
- Sulfide stress cracking: NACE MR-01-75
- Class/Pressure Rating: CLASS 1500
- CRN Number available

J Flow Controls DM4800 Series Three Piece Ball Valves

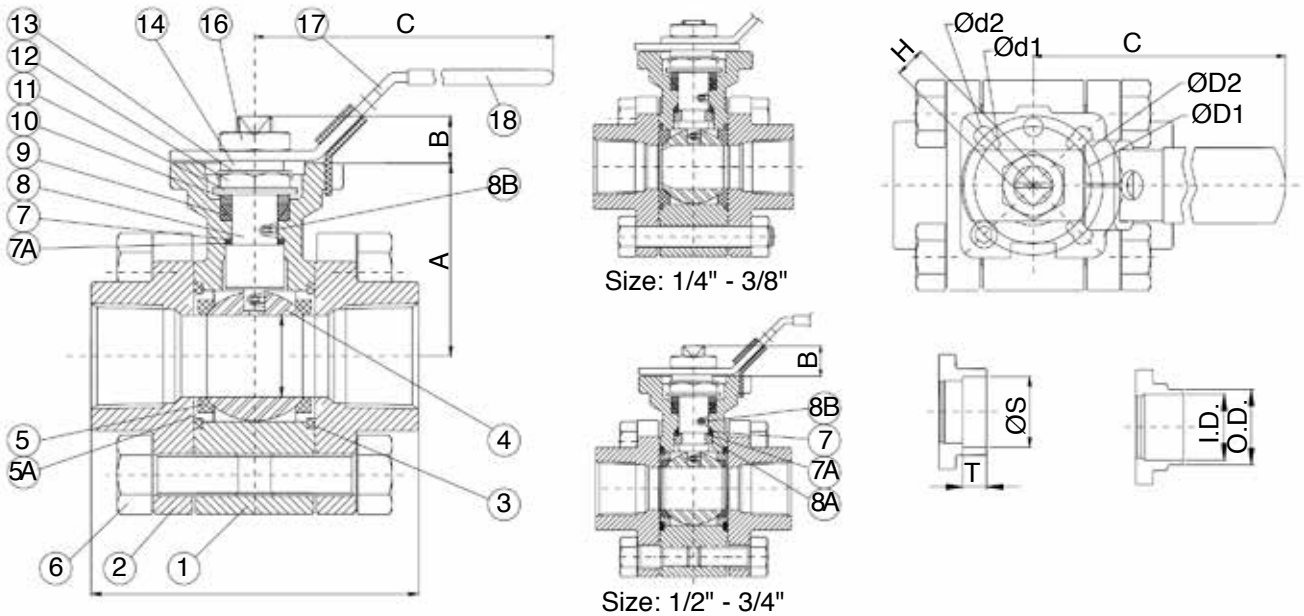
FEATURES & BENEFITS

- Body and end caps quality investment casting
- With ISO 5211 mounting pad
- Adjustable Stem Packing
- Available in Stainless Steel or Carbon Steel
- Blow-out proof stem design
- 100% air tested under water at 80 - 100 psi
- Temperature range from -320°F to 800°F
- With locking function
- End type: Butt Weld / Socket Weld / NPT
- MTR Reports available

OPTIONS

- Spring return (dead man) handle
- Oval handle
- Automation Application
- V-ball for control valve in 15°, 30°, 45°, 60°, 90°, slot or custom
- Cryogenic bonnet from -325°F
- PTFE / PTFA coating (40 - 70 um)
- Available in Hastalloy C, Super Duplex, and Alloy 20

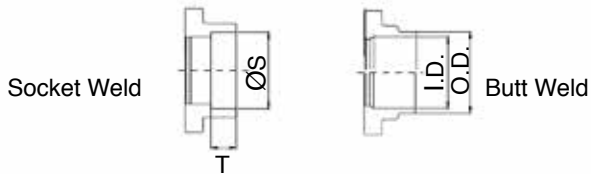
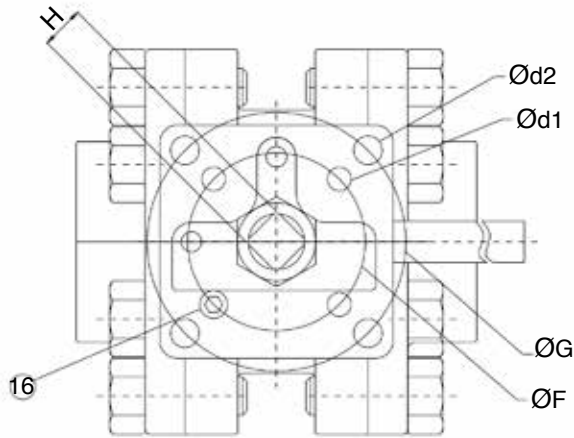
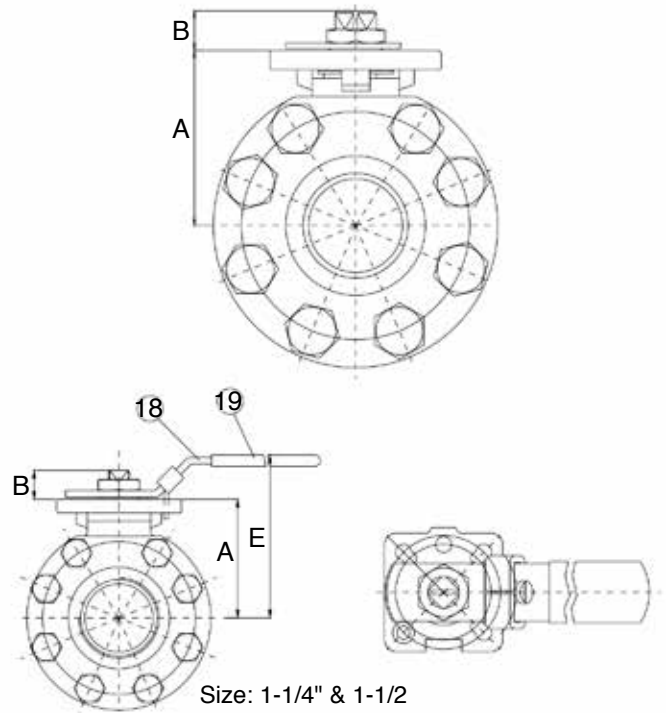
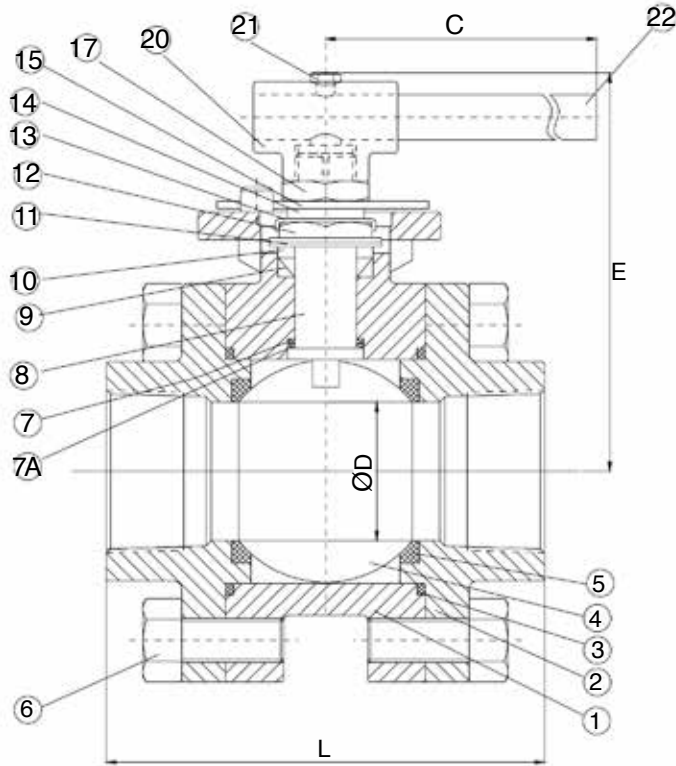
DIMENSIONS & BILL OF MATERIALS (1/4" - 1")



No	Part Name	Materials	No	Part Name	Materials
1	Body	CF8M/WCB	8B	Anti-Static	SS316
2	End Cap	CF8M/WCB	9	Stem Packing	TFM
3	Gasket	TFM	10	Gland Washer	SS304
4	Ball	SS316	11	Disk Washer	SS301
5	Seat	PEEK	12	Stem Nut	SS304
5A	Seat Housing	SS316	13	Nut Stop	SS304
6	Bolt	SS304	14	Space Washer	SS304
7	Thrust Washer	TFM	15	Stop Pin	SS304
7A	Thrust Washer	PEEK	16	Handle Nut	SS304
8	Stem	SS316	17	Handle	SS304
8A	Half Split Ring	SS316	18	Sleeve	Plastic

Size	A	B	C	D	D1	D2	d1	d2	H	L	SW		BW (#40)		BW (#80)	
											S	T	OD	ID	OD	ID
1/4"	1.81	0.37	6.30	0.43	1.42	1.65	0.24	0.28	0.35	2.62	0.56	0.44	0.55	0.36	0.55	0.30
3/8"	1.81	0.37	6.30	0.43	1.42	1.65	0.24	0.28	0.35	2.62	0.69	0.44	0.69	0.49	0.69	0.42
1/2"	1.89	0.37	6.30	0.59	1.42	1.65	0.24	0.28	0.35	2.76	0.86	0.50	0.84	0.63	0.84	0.54
3/4"	2.09	0.47	7.48	0.79	-	1.97	-	0.28	0.43	3.62	1.07	0.56	1.05	0.81	1.05	0.74
1"	2.32	0.47	7.48	0.98	-	1.97	-	0.28	0.43	4.13	1.33	0.63	1.31	1.05	1.31	0.96

DIMENSIONS & BILL OF MATERIALS (1-1/4" - 2")

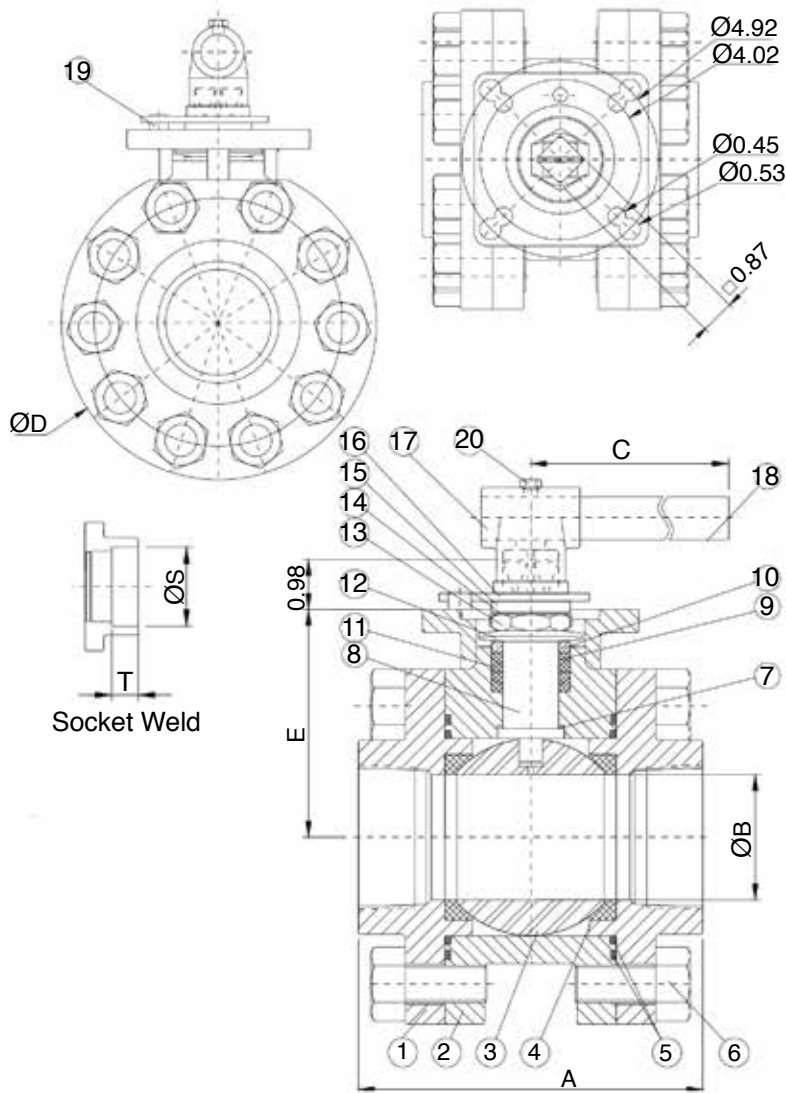


No	Part Name	Materials
1	Body	CF8M/WCB
2	End Cap	CF8M/WCB
3	Gasket	TFM
4	Ball	SS316
5	Seat	PEEK
6	Bolt	SS304
7	Thrust Washer	TFM
7A	Thrust Washer	PEEK
8	Stem	SS316 / 17-4PH
9	Stem Packing	TFM
10	Gland Washer	SS304
11	Disk Washer	SS301
12	Gland Nut	SS304
13	Nut Stop	SS304
14	Space Washer	SS304
15	Stop Plate	SS304
16	Stop Pin	SS304
17	Stem Nut	SS304
18	Handle	SS304
19	Sleeve	Plastic
20	Lever Head	CF8
21	Set Bolt	SS304
22		Steel Pipe

Size	A	B	C	D	D1	D2	d1	d2	H	L	SW		BW (#40)		BW (#80)	
											S	T	OD	ID	OD	ID
1-1/4"	2.91	0.63	9.65	1.26	4.33	1.97	0.28	0.36	0.55	4.49	1.67	0.69	1.66	1.38	1.67	2.38
1-1/2"	3.15	0.63	9.65	1.50	4.57	1.97	0.28	0.36	0.55	5.04	1.91	0.72	1.91	1.59	1.91	2.49
2"	3.78	0.79	13.78	1.97	5.67	2.76	0.36	0.45	0.67	6.22	2.41	0.84	2.38	2.06	2.38	1.93

DM4800 Series Ball Valves

DIMENSIONS & BILL OF MATERIALS (1/4" - 1")



No	Part Name	Materials
1	End Cap	CF8M/WCB
2	Body	CF8M/WCB
3	Ball	SS316
4	Seat	PEEK
5	Gasket	TFM
6	Bolt	SS304
7	Thrust Washer	PEEK
8	Stem	SS316 / 17-4PH
9	Stem Packing	TFM
10	Gland Washer	SS304
11	Disk Washer	SS301
12	Gland Nut	SS304
13	Nut Stop	SS304
14	Space Washer	SS304
15	Stop Plate	SS304
16	Stem Nut	SS304
17	Lever Head	CF8
18	Lever	Steel Pipe
19	Stop Pin	SS304
20	Seat Bolt	SS304

Size	A	B	C	D	E	F	SW	
							S	T
2-1/2"	-	2.50	15.75	-	-	-	2.91	0.87
3"	7.72	3.07	20.47	7.87	4.96	6.50	3.54	1.00

DM4800 Series Ball Valves

BREAK-TORQUE VALUE (IN-LB AT 0 PSI)

Size	1/4"	3/8"	1/2"	3/4"	1"	1-1/4"	1-1/2"	2"	3"	4"
Torque	123	123	123	136	238	436	524	599	1151	1763

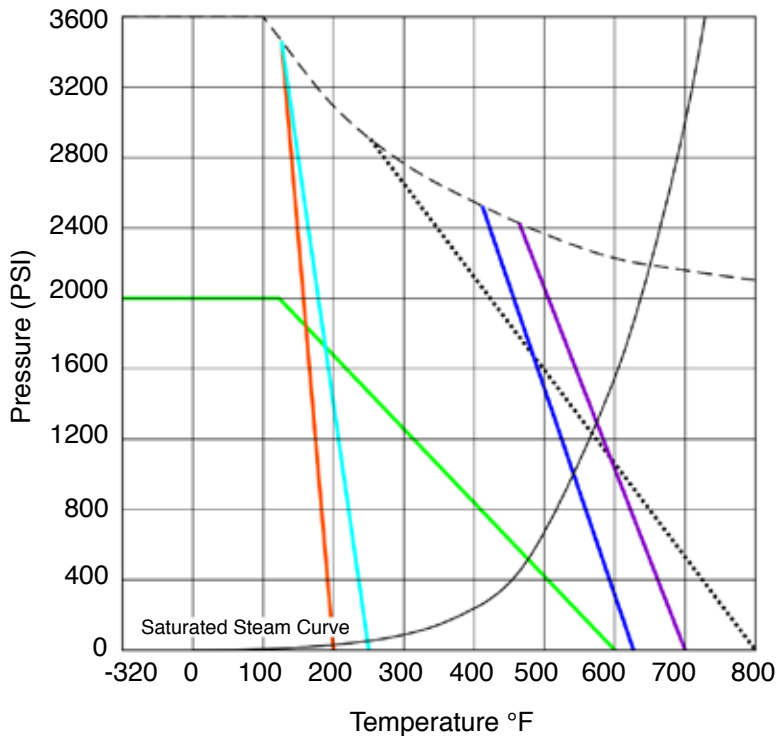
Note 1: The greases J Flow Controls uses include lubricants and anti-seize that are both SILICONE-FREE

Note 2: J Flow Controls strongly suggests increasing the torque at least 30% - 40% for safety factor when mounting an actuator

FLOW COEFFICIENT (FULL PORT VALVE)

Size	Cv Factor	Size	Cv Factor
1/4"	8.5	1-1/4"	110
3/8"	8.5	1-1/2"	240
1/2"	21	2"	400
3/4"	50	2-1/2"	700
1"	90	3"	980

PRESSURE/TEMPERATURE CHART



■ DELRIN ■ TFM4215 ■ PEEK
■ DEVLON ■ Carbon PEEK ... Metal

DM4800 Series Ball Valves

HOW TO ORDER

Sizes	Series	Body ¹ , Ball & Stem	Port	Body Seal
1 1/4"	48	00 CF8	F Full Port	C TFM 4215
2 3/8"		0L CF3	1 15° V-ball	G Graphite
3 1/2"		23 WCB, CF8M Ball & Stem	3 30° V-ball	
4 3/4"		33 CF8M	6 60° V-ball	
5 1"		44 Alloy 20	9 90° V-ball	
0 1-1/4"		55 Monel		
6 1-1/2"		6L CF3M		
7 2"		77 Hastelloy C		
8 2-1/2"		88 LCB		
9 3"		83 LCB, CF8M Ball & Stem		
	99 Duplex			

Packing	Seat	End Connections	Options
C TFM 4215	L Delrin	F1 ANSI 150 RF Flange	LD Locking Handle
G Graphite	D Devlon	F3 ANSI 300 RF Flange	SH Spring Handle
	C TFM4215	F6 ANSI 600 RF Flange	GO Gear Operator
	P PEEK	SW Socket Weld	BS Bare Stem
	6 Carbon PEEK	FT Female NPT	FS Fire Safe
	M CF8M	B1 Butt Weld Sch 10	FE Fugitive Emission
		B4 Butt Weld Sch 40	SE Stem Extension
		B8 Butt Weld Sch 80	VB Vented Ball
		E1 Extended Butt Weld Sch 10	
		E4 Extended Butt Weld Sch 40	
		E8 Extended Butt Weld Sch 80	
		TW Female NPT X Socket Weld	
		ES Extended Socket Weld	

¹ Please see the J Flow Controls Configurator for a full list of body materials

J Flow Controls®
 4665 Interstate Drive
 Cincinnati, OH 45246
 513-731-2900
 jflowcontrols.com

While the information and specifications contained in this literature are believed to be accurate, they are supplied for informative purposes only and should not be considered certified or a guarantee of satisfactory results. Nothing contained herein is to be construed as a warranty or guarantee, express or implied, regarding any matter with respect to this product. Because J Flow Controls® is continually improving and upgrading its product design, the specifications, dimensions and information contained herein are subject to change without notice.