



STANDARDS

- 3A sanitary standard available
- Valve body: ASME B16.34
- Material certification: EN10204-3.1 MTR
- Quality assurance: ISO 9001:2008
- Steel casting: MSS SP-55
- Valve marking: MSS SP-25
- End connection: ASME BPE-2005
- Class/Pressure Rating: 600/800/1000 psi

J Flow Controls DM7300 Series Three Piece Sanitary Ball Valves

FEATURES & BENEFITS

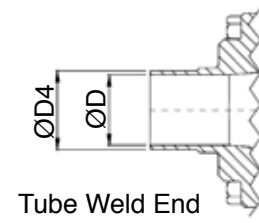
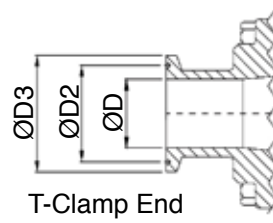
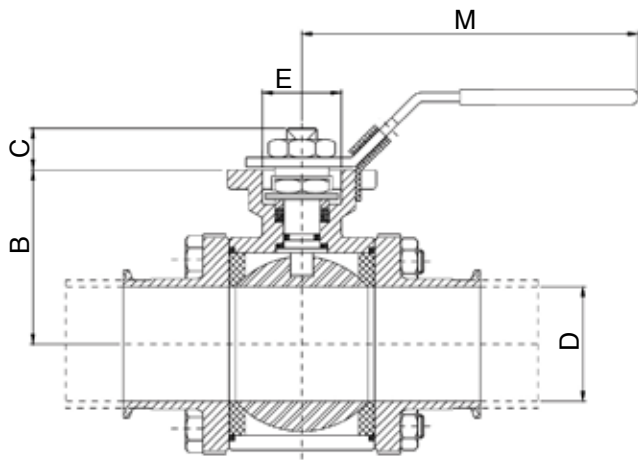
- Designed for Food, Biological, Pharmaceuticals, and similar industries
- Body and end caps quality investment casting
- With ISO 5211 mounting pad
- Adjustable Stem Packing
- Available in Stainless Steel
- Blow-out proof stem design
- 100% air tested under water at 80 - 100 psi
- Working pressure of 600 / 800 / 1000 psi
- FDA Viton o-ring
- With locking function
- 6 bolts and nuts for 4" valve
- End type: T-Clamp / Tube Weld / Extended Tube Weld

OPTIONS

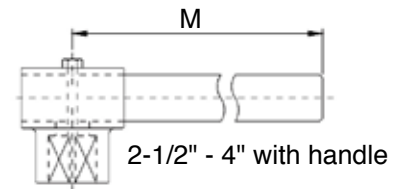
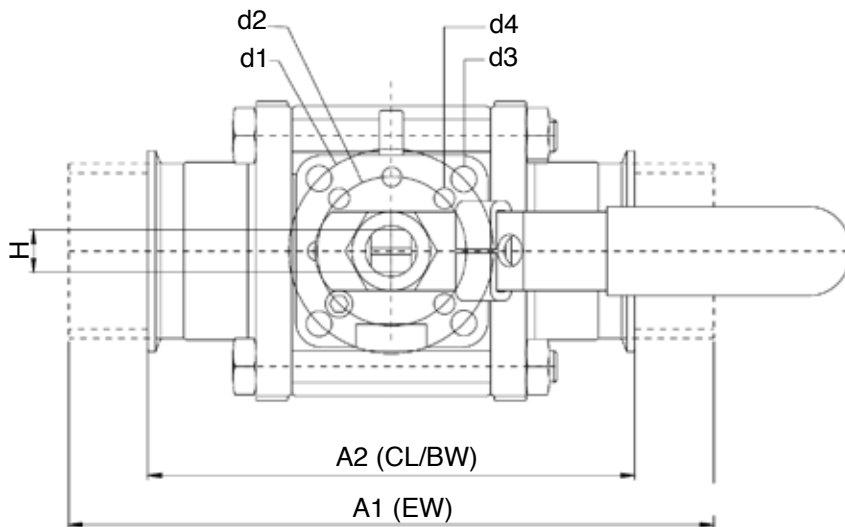
- Spring return (dead-man) handle
- Cavity-filled
- Polish to customer's specification
- Limit switch box with handle
- Automation applicable
- Hastelloy C
- V-ball for control valve in 15°, 30°, 60°, 90°, slot and custom
- ASME BPE (for SS316L)
- Low ferrite (3%) / Low Sulfur (0.005% - 0.017%)

DM7300 Series Ball Valves

DIMENSIONS

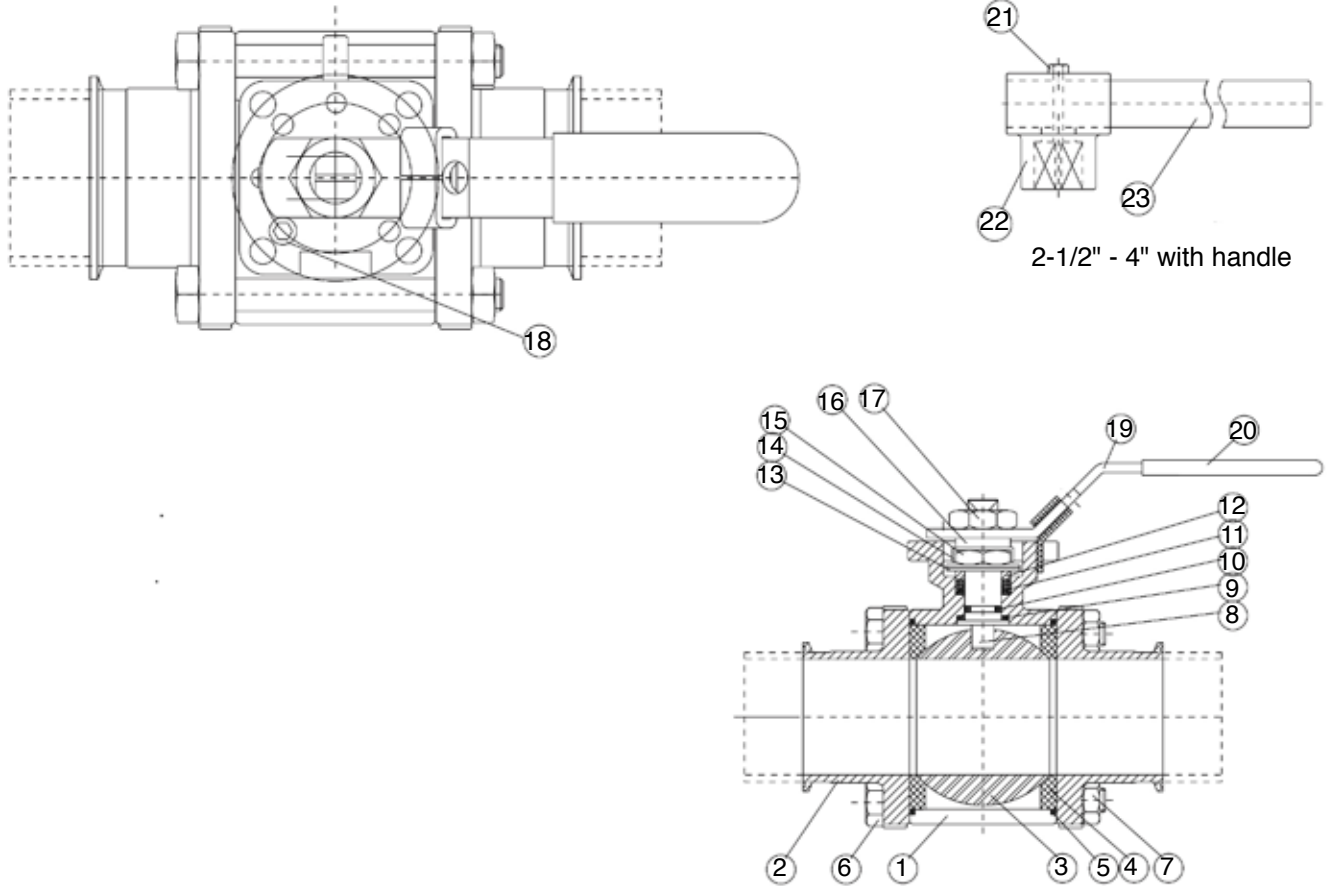


Size	D	D2	D3	D4
1/2"	0.38	0.85	0.98	0.50
3/4"	0.62	0.85	0.98	0.75
1"	0.87	1.71	1.98	1.00
1-1/2"	1.37	1.71	1.98	1.50
2"	1.87	2.22	2.52	2.00
2-1/2"	2.37	2.78	3.05	2.50
3"	2.87	3.28	3.58	3.00
4"	3.83	4.34	4.68	4.00



Size	A1	A2	B	C	D	d1	d2	d3	d4	E	H	M
1/2"	4.90	3.50	1.38	0.37	0.38	1.65	1.42	0.24	0.24	0.98	0.35	5.31
3/4"	5.60	4.00	1.54	0.37	0.62	1.65	1.42	0.24	0.24	0.98	0.35	5.31
1"	6.40	4.50	1.89	0.55	0.87	1.97	1.65	0.28	0.24	1.18	0.43	6.10
1-1/2"	7.20	5.50	2.40	0.71	1.37	2.76	1.97	0.36	0.28	1.38	0.55	8.07
2"	7.60	6.25	2.76	0.71	1.87	2.76	1.97	0.36	0.28	1.38	0.55	8.07
2-1/2"	10.00	6.75	3.54	0.87	2.37	4.02	2.76	0.44	0.35	2.17	0.67	11.42
3"	11.00	7.75	3.90	0.87	2.87	4.02	2.76	0.44	0.35	2.17	0.67	11.42
4"	12.00	9.50	5.16	1.02	3.83	4.92	4.02	0.53	0.44	2.76	0.87	13.19

BILL OF MATERIALS



No	Part Name	Materials	No	Part Name	Materials
1	Body	CF8M	13	Disc Washer	SS301
2	End Cap	CF8M	14	Nut Stopper	SS304
3	Ball	SS316	15	Stem Nut	SS304
4	Ball Seat	PTFE	16	Space Washer	SS304
5	Gasket	PTFE	17	Handle Nut	SS304
6	Body Bolt	SS304	18	Stop Pin	SS304
7	Body Nut	SS304	19	Handle	SS304
8	Stem	SS316	20	Sleeve	Plastic
9	Thrust Washer	RPTFE	21	Set Bolt	SS304
10	O-Ring	Viton	22	Lever Head	CF8
11	Stem Packing	PTFE	23	Lever	Steel Pipe
12	Gland Washer	SS304			

DM7300 Series Ball Valves

BREAK-TORQUE VALUE (IN-LB AT 0 PSI)

Size	1/2"	3/4"	1"	1-1/2"	2"	2-1/2"	3"	4"
Non-Grease	62	71	97	266	292	664	832	1027

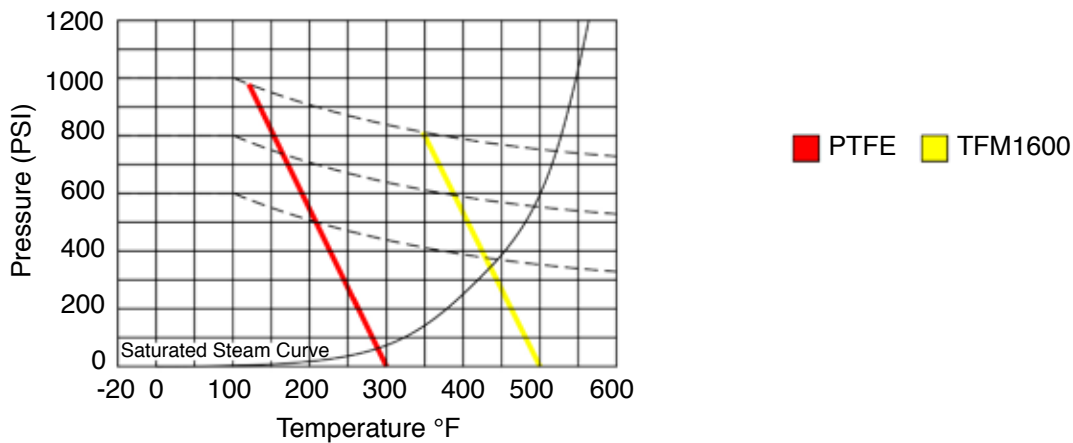
Note 1: The greases J Flow Controls uses include lubricants and anti-seize that are both SILICONE-FREE

Note 2: J Flow Controls strongly suggests increasing the torque at least 30% - 40% for safety factor when mounting an actuator

FLOW COEFFICIENT (FULL PORT VALVE)

Size	Cv Factor	Size	Cv Factor
1/2"	21	2"	400
3/4"	50	2-1/2"	700
1"	90	3"	980
1-1/2"	240	4"	1700

PRESSURE/TEMPERATURE CHART



HOW TO ORDER

Sizes	Series	Body, Ball & Stem	Port	Body Seal	Packing
3 1/2"	73	33 CF8M	F Full Port	T TFM 1600	T TFM 1600
4 3/4"		6L CF3M			
5 1"					
6 1-1/2"					
7 2"					
8 2-1/2"					
9 3"					
A 4"					

Seat	End Connections	Options
CF Cavity Filler (PTFE)	FT Female NPT	LD Locking Handle
	WT Butt Weld, Tube	SH Spring Handle
	TU Tube	GO Gear Operator
	TC Tri-Clamp	BS Bare Stem
		SF Self Flushing

J Flow Controls®
 4665 Interstate Drive
 Cincinnati, OH 45246
 513-731-2900
jflowcontrols.com