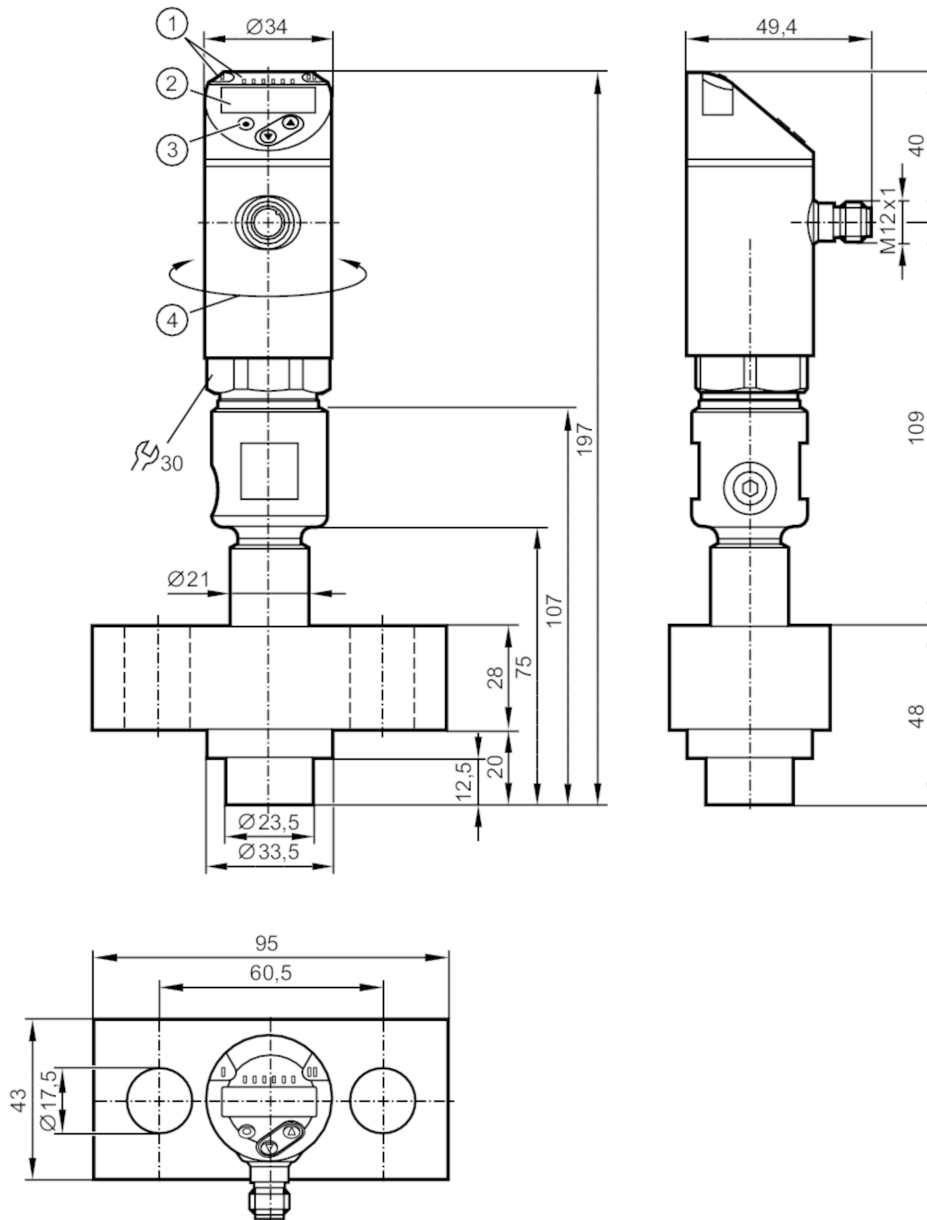


PY9070



Pressure sensor with display

PN-400-SE MFRKG/US/ /



- 1 alphanumeric display 4-digit red/green
- 2 LEDs Display unit / Switching status
- 3 Programming button



Product characteristics			
Number of inputs and outputs	Number of digital outputs: 2; Number of analog outputs: 1		
Measuring range	0...400 bar	0...5800 psi	0...40 MPa
Process connection	homogenizer connection		
Application			
Special feature	gold-plated contacts		
Measuring element	diaphragm seal		
Application	flush mountable for the food and beverage industry		

PY9070



Pressure sensor with display

PN-400-SE MFRKG/US/ /

Media	liquids and gases		
Medium temperature [°C]	5...125; (150 maximum 1h)		
Min. burst pressure	1000 bar	14500 psi	100 MPa
Pressure rating	600 bar	8700 psi	60 MPa
Vacuum resistance	-1000 mbar		-0.1 MPa
Type of pressure	relative pressure		

Electrical data

Operating voltage [V]	18...30 DC; (to SELV/PELV)		
Current consumption [mA]	< 35		
Min. insulation resistance [MΩ]	100; (500 V DC)		
Protection class	III		
Reverse polarity protection	yes		
Power-on delay time [s]	0.3		
Integrated watchdog	yes		

Inputs / outputs

Number of inputs and outputs	Number of digital outputs: 2; Number of analog outputs: 1		
------------------------------	-----------------------------------------------------------	--	--

Outputs

Total number of outputs	2		
Output signal	switching signal; analog signal; IO-Link; (configurable)		
Electrical design	PNP/NPN		
Number of digital outputs	2		
Output function	normally open / closed; (configurable)		
Max. voltage drop switching output DC [V]	2		
Permanent current rating of switching output DC [mA]	250		
Switching frequency DC [Hz]	< 500		
Number of analog outputs	1		
Analog current output [mA]	4...20; (scalable 1:5)		
Max. load [Ω]	500		
Analog voltage output [V]	0...10; (scalable 1:5)		
Min. load resistance [Ω]	2000		
Short-circuit protection	yes		
Type of short-circuit protection	yes (non-latching)		
Overload protection	yes		

Measuring/setting range

Measuring range	0...400 bar	0...5800 psi	0...40 MPa
Set point SP	2.5...400 bar	40...5800 psi	0.25...40 MPa
Reset point rP	1...398.5 bar	10...5780 psi	0.1...39.85 MPa
Analog start point	0...320 bar	0...4640 psi	0...32 MPa
Analog end point	80...400 bar	1160...5800 psi	8...40 MPa
In steps of	0.5 bar	10 psi	0.05 MPa

Accuracy / deviations

Switch point accuracy	< ± 0,4; (Turn down 1:1)		
-----------------------	--------------------------	--	--

PY9070



Pressure sensor with display

PN-400-SE MFRKG/US/ /

	[% of the span]	
Repeatability	[% of the span]	< ± 0,1; (with temperature fluctuations < 10 K; Turn down 1:1)
Characteristics deviation	[% of the span]	< ± 1; (linearity, incl. hysteresis and repeatability; limit value setting to DIN EN IEC 62828-1)
Hysteresis deviation	[% of the span]	< ± 0,1; (Turn down 1:1)
Long-term stability	[% of the span]	< ± 0,05; (Turn down 1:1; per 6 months)
Temperature coefficient zero point	[% of the span / 10 K]	0,2; (5...80 °C)
Temperature coefficient span	[% of the span / 10 K]	0,2; (5...80 °C)

Reaction times

Response time	[ms]	< 1.5
Delay time programmable dS, dr	[s]	0...50
Damping process value dAP	[s]	0...4
Damping for the analog output dAA	[s]	0...4
Max. response time analog output	[ms]	3

Software / programming

Parameter setting options	hysteresis / window; normally open / closed; switch-on/ switch-off delay; Damping; Display unit; current/voltage output
---------------------------	-------------------------------------------------------------------------------------------------------------------------

Interfaces

Communication interface	IO-Link	
Transmission type	COM2 (38,4 kBaud)	
IO-Link revision	1.1	
SDCI standard	IEC 61131-9	
Profiles	Smart Sensor - SSP 0	Generic Profiled Sensor
	Function	Device identification
	Function	Process data variable
	Function	Device diagnosis
SIO mode	yes	
Required master port class	A	
Process data analog	1	
Process data binary	2	
Min. process cycle time	[ms]	2.3
Supported DeviceIDs	Type of operation	DeviceID
	default	459

Operating conditions

Ambient temperature	[°C]	5...80
Storage temperature	[°C]	-40...100
Protection		IP 67

PY9070



Pressure sensor with display

PN-400-SE MFRKG/US/ /

Tests / approvals		
EMC	DIN EN 61000-6-2	
	DIN EN 61000-6-3	
Shock resistance	DIN EN 60068-2-27	50 g (11 ms)
Vibration resistance	DIN EN 60068-2-6	10 g (10...2000 Hz)

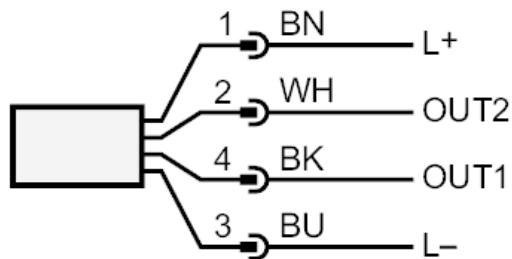
Mechanical data		
Weight [g]		1479
Housing		tubular
Dimensions [mm]		Ø 34 / L = 197
Material	stainless steel (630/1.4542/17-4 PH); stainless steel (1.4404 / 316L); stainless steel (1.4435 / 316L); PBT+PC-GF30; PBT-GF20; PC	
Materials (wetted parts)	stainless steel (1.4435 / 316L)	
Min. pressure cycles	60 million; (at 1.2 times nominal pressure)	
Process connection	homogenizer connection	

Displays / operating elements		
Display	Display unit	3 x LED, green (bar, psi, MPa)
	Switching status	2 x LED, yellow
	Measured values	alphanumeric display, red/green 4-digit

Remarks	
Pack quantity	1 pcs.

Electrical connection

Connector: 1 x M12; coding: A; Contacts: gold-plated

OUT1 switching output or IO-Link
 OUT2 switching output or analog output
 Colors to DIN EN 60947-5-2
 Core colors :

BK = black
 BN = brown
 BU = blue
 WH = white