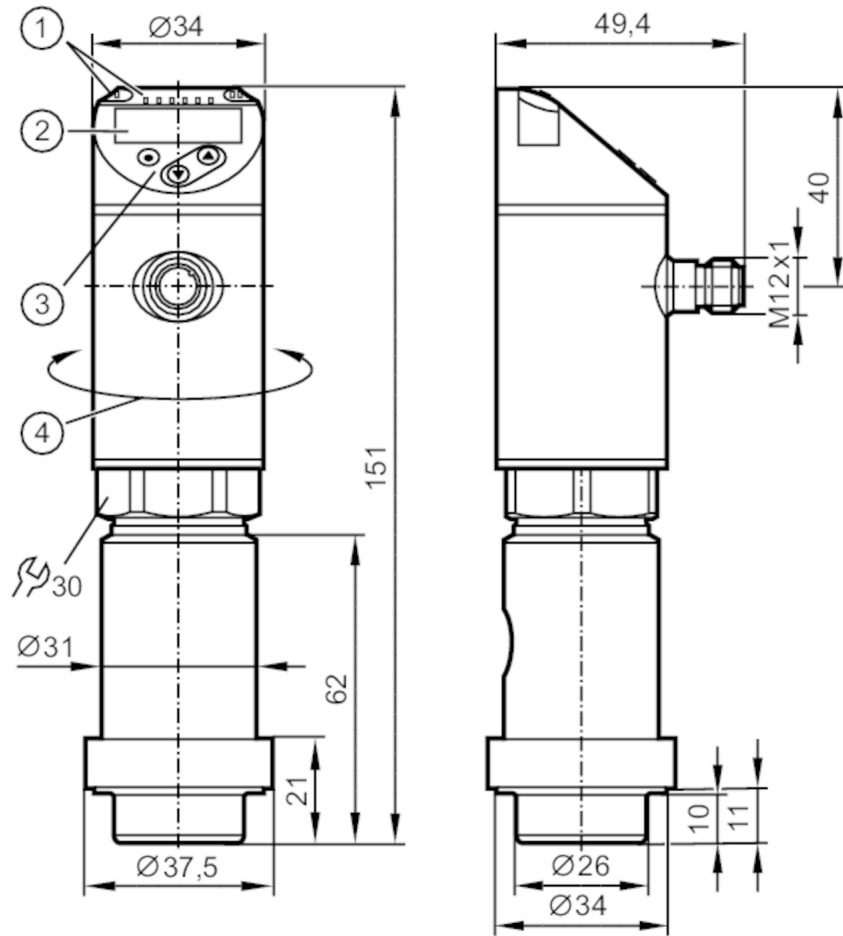


# PY9060



## Pressure sensor with display

PN-600-SE MFRKG/US/ /



- 1 LEDs Display unit Switching status
- 2 analog display, 4-digit alphanumeric display
- 3 Programming button



### Product characteristics

Number of inputs and outputs	Number of digital outputs: 2; Number of analog outputs: 1		
Measuring range	0...600 bar	0...8700 psi	0...60 MPa
Process connection	homogenizer connection		

### Application

Special feature	gold-plated contacts		
Measuring element	diaphragm seal		
Application	flush mountable for the food and beverage industry		
Media	liquids and gases		
Medium temperature [°C]	5...125; (150 maximum 1h)		
Min. burst pressure	1200 bar	17400 psi	120 MPa
Pressure rating	800 bar	11580 psi	80 MPa
Vacuum resistance	-1000 mbar	-0.1 MPa	
Type of pressure	relative pressure		

### Electrical data

Operating voltage [V]	18...30 DC; (to SELV/PELV)		
-----------------------	----------------------------	--	--

# PY9060



## Pressure sensor with display

PN-600-SE MFRKG/US/ /

Current consumption	[mA]	< 35
Min. insulation resistance	[MΩ]	100; (500 V DC)
Protection class		III
Reverse polarity protection		yes
Power-on delay time	[s]	0.3
Integrated watchdog		yes

### Inputs / outputs

Number of inputs and outputs	Number of digital outputs: 2; Number of analog outputs: 1
------------------------------	-----------------------------------------------------------

### Outputs

Total number of outputs	2	
Output signal	switching signal; analog signal; IO-Link; (configurable)	
Electrical design	PNP/NPN	
Number of digital outputs	2	
Output function	normally open / closed; (configurable)	
Max. voltage drop switching output DC	[V]	2
Permanent current rating of switching output DC	[mA]	250
Switching frequency DC	[Hz]	< 500
Number of analog outputs	1	
Analog current output	[mA]	4...20; (scalable 1:5)
Max. load	[Ω]	500
Analog voltage output	[V]	0...10; (scalable 1:5)
Min. load resistance	[Ω]	2000
Short-circuit protection		yes
Type of short-circuit protection		yes (non-latching)
Overload protection		yes

### Measuring/setting range

Measuring range	0...600 bar	0...8700 psi	0...60 MPa
Set point SP	4...600 bar	60...8700 psi	0.4...60 MPa
Reset point rP	1...597 bar	20...8660 psi	0.1...59.7 MPa
Analog start point	0...480 bar	0...6960 psi	0...48 MPa
Analog end point	120...600 bar	1740...8700 psi	12...60 MPa
In steps of	1 bar	20 psi	0.1 MPa

### Accuracy / deviations

Switch point accuracy	[% of the span]	< ± 0,4; (Turn down 1:1)
Repeatability	[% of the span]	< ± 0,1; (with temperature fluctuations < 10 K; Turn down 1:1)
Characteristics deviation	[% of the span]	< ± 1; (linearity, incl. hysteresis and repeatability; limit value setting to DIN EN IEC 62828-1)
Hysteresis deviation	[% of the span]	< ± 0,1; (Turn down 1:1)
Long-term stability	[% of the span]	< ± 0,05; (Turn down 1:1; per 6 months)

# PY9060



## Pressure sensor with display

PN-600-SE MFRKG/US/ /

Temperature coefficient zero point [% of the span / 10 K]	0,2; (5...80 °C)
Temperature coefficient span [% of the span / 10 K]	0,2; (5...80 °C)

### Reaction times

Response time [ms]	< 1.5
Delay time programmable dS, dr [s]	0...50
Damping process value dAP [s]	0...4
Damping for the analog output dAA [s]	0...4
Max. response time analog output [ms]	3

### Software / programming

Parameter setting options	hysteresis / window; normally open / closed; switch-on/ switch-off delay; Damping; Display unit; current/voltage output
---------------------------	-------------------------------------------------------------------------------------------------------------------------

### Interfaces

Communication interface	IO-Link
Transmission type	COM2 (38,4 kBaud)
IO-Link revision	1.1
SDCI standard	IEC 61131-9
Profiles	Smart Sensor - SSP 0 Generic Profiled Sensor
	Function Device identification
	Function Process data variable
	Function Device diagnosis
SIO mode	yes
Required master port class	A
Process data analog	1
Process data binary	2
Min. process cycle time [ms]	2.3
Supported DeviceIDs	<b>Type of operation</b> default
	<b>DeviceID</b> 458

### Operating conditions

Ambient temperature [°C]	5...80
Storage temperature [°C]	-40...100
Protection	IP 67

### Tests / approvals

EMC	DIN EN 61000-6-2	
	DIN EN 61000-6-3	
Shock resistance	DIN EN 60068-2-27	50 g (11 ms)
Vibration resistance	DIN EN 60068-2-6	10 g (10...2000 Hz)
MTTF [years]		143

### Mechanical data

Weight [g]	675
Housing	tubular

# PY9060



## Pressure sensor with display

PN-600-SE MFRKG/US/ /

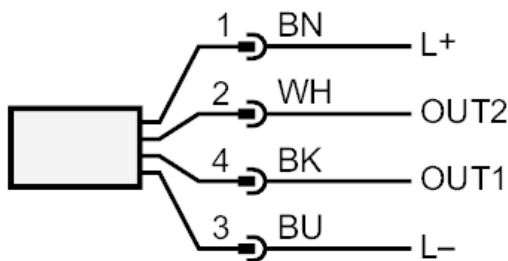
Dimensions	[mm]	Ø 34 / L = 151
Material		stainless steel (630/1.4542/17-4 PH); stainless steel (1.4404 / 316L); stainless steel (1.4435 / 316L); PBT+PC-GF30; PBT-GF20; PC
Materials (wetted parts)		stainless steel (1.4435 / 316L)
Min. pressure cycles		60 million; (at 1.2 times nominal pressure)
Process connection		homogenizer connection

Displays / operating elements		
Display	Display unit	3 x LED, green (bar, psi, MPa)
	Switching status	2 x LED, yellow
	Measured values	alphanumeric display, red/green 4-digit

Remarks	
Pack quantity	1 pcs.

### Electrical connection

Connector: 1 x M12; coding: A; Contacts: gold-plated



OUT1            switching output or IO-Link  
 OUT2            switching output or analog output  
 Colors to DIN EN 60947-5-2  
 Core colors :

BK =            black  
 BN =            brown  
 BU =            blue  
 WH =            white