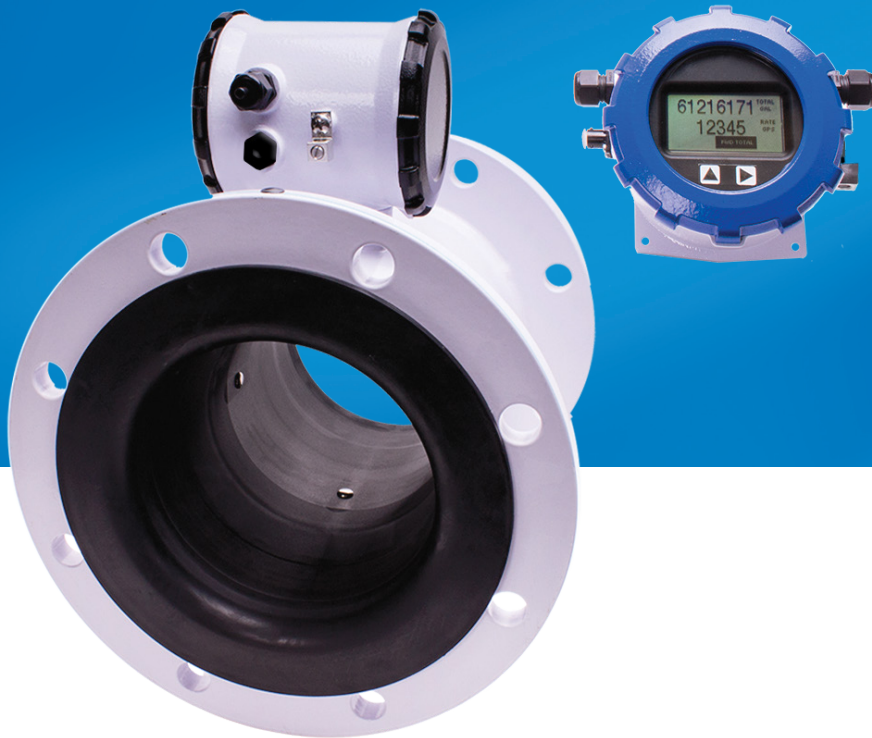




iMAG 4700r

Municipal/Industrial Magmeter
Instructions



General Information

General InformationPage 3
 FeaturesPage 3
 SpecificationsPage 4
 DimensionsPage 5
 AccuracyPage 6
 Flow RatePage 6

Installation

Straight Pipe RecommendationsPage 7
 Full Pipe RecommendationsPage 8
 Positioning the MeterPage 9
 Installing GasketsPage 9
 Tightening the Flange BoltsPage 10
 Equalization and Grounding (Metal and Plastic Pipe).....Page 10

Connections

General Cable Information.....Page 11
 Cable Gland Opening and Sealing.....Page 11
 Cable InstallationPage 12
 Wiring DiagramsPage 14
 Cable Wiring TablePage 16

Configuration

Sourcing Mode Output ApplicationPage 17
 Sinking Mode Output ApplicationPage 17
 Analog (4-20mA Current Loop) Output ApplicationPage 17
 Cable ShieldPage 18
 Pulse Output.....Page 18
 Analog (4-20mA) Output.....Page 19
 HART Output.....Page 19
 Modbus Output.....Page 19

Operation

Changing Flow Meter Settings - Home Screen and General NavigationPage 20
 Changing Flow Meter Settings - Changing Total Direction/Resetting TotalizersPage 20
 Changing Flow Meter Settings - Entering Menu System.....Page 20
 Changing Flow Meter Settings - Making Selections.....Page 20
 Changing Flow Meter Settings - Standard Menu Options.....Page 21
 Changing Flow Meter Settings - Special Submenu.....Page 21
 To Change a PasscodePage 22
 Power IndicatorsPage 22

Troubleshooting & Error Messages

ProblemPage 23
 Probable Cause.....Page 23
 Things to TryPage 23
 Error MessagesPage 23

Warranty

Seametrics Limited WarrantyBack

Note: These instructions cover the iMAG 4700r. For details on the iMAG 4700 or 4700p, see the *iMAG 4700* or *iMAG4700p Municipal/Industrial Magmeter Instructions*.

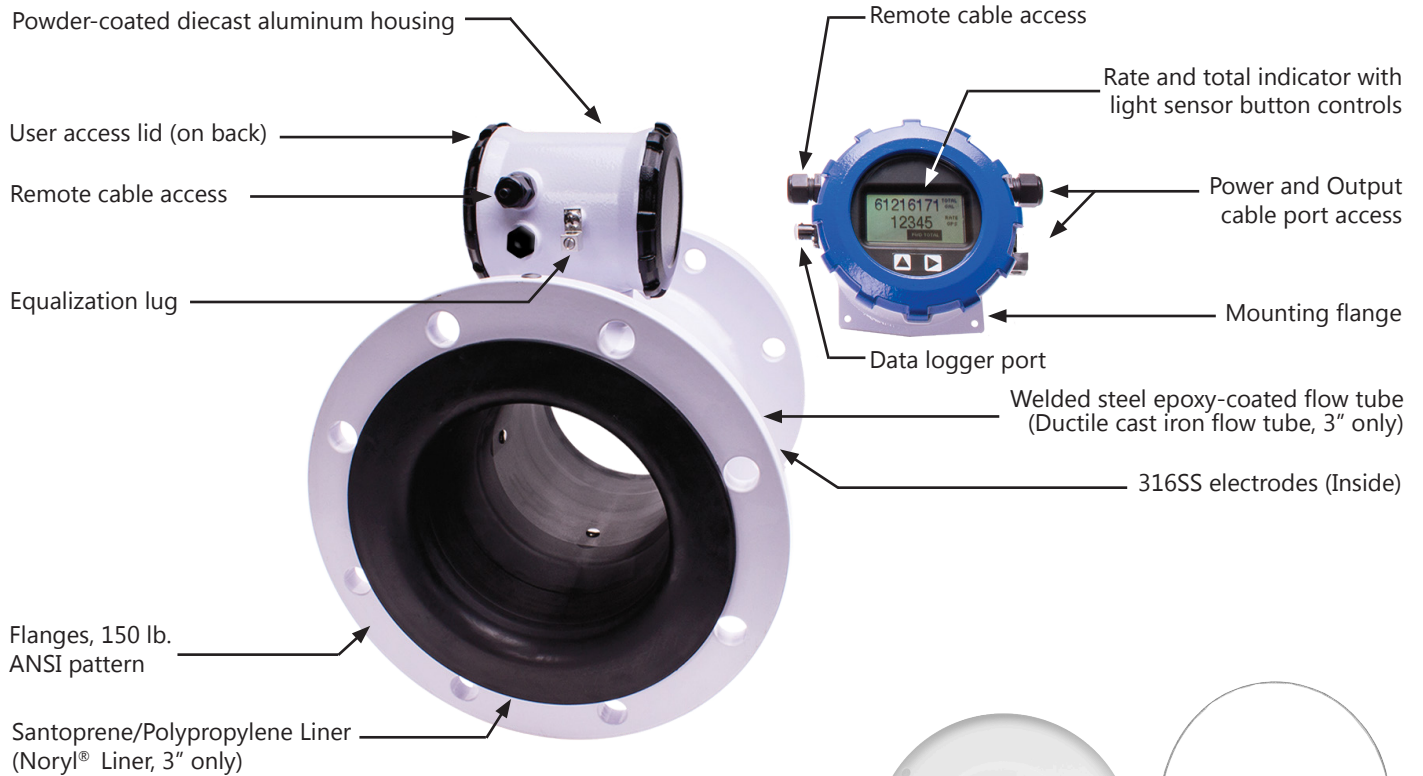
The **iMAG-Series** meters are the most economical flanged electromagnetic flowmeters on the market. With electrodes designed to discourage fouling, it is available in 3" to 12" pipe in municipal or industrial water, waste and reclaimed water, pump stations, and packaged plant applications. Minimal straight pipe requirements allow iMAG-Series meters to be used in piping configurations where there is little space between the meter and an elbow.

iMAG-Series meters are NSF-61 approved and are rated IP68 for applications where the meter may be operated under water to a depth of at least 10 feet (3 meters) continuously.

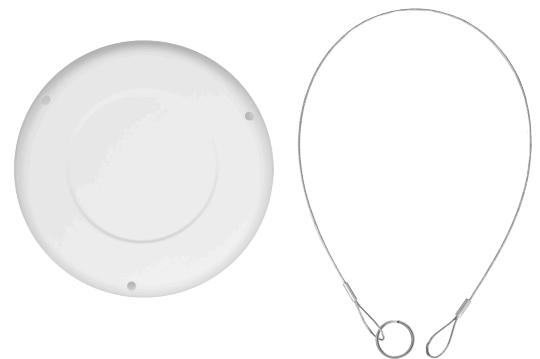
The display for the iMAG 4700r is mounted remotely for ease of access. Both rate and total indication are standard. Rate and total units and pulse scaling can be set via the front panel touch key pad by the user. Bidirectional flow reading is standard with totals available in forward, reverse, net flow, batch forward flow, and batch reverse flow. Batch totals can be reset.

A power/output cable allows outputs for use with a variety of Seametrics and other displays and controls for remote reading and telemetry applications. Pulse output is standard on all units. Additionally, 4-20mA passive current loop, HART protocol, and Modbus® protocol outputs are optional. The iMAG 4700r can be supplied with an optional internal AC power supply.

Features



No moving parts!



Protective faceplate cover and lanyard

Specifications*

Pipe Sizes	3", 4", 6", 8", 10", 12"						
Flanges	150 lb. ANSI Pattern						
Pressure	150 psi (10.3 bar) line pressure						
Temperature	Operating 10° to 130° F (-12° to 54° C)						
	Storage -40° to 158° F (-40° to 70° C)						
Accuracy	±0.75% of reading on iMAG 4700p and 4700r (±1.0% iMAG 4700), ±0.025% of full-scale flow from low flow cutoff to maxi. flow rate of 10 m/sec						
Low Flow Cutoff	0.5% of maximum flow rate						
Material	Body (3" only)	Ductile cast iron, powder coated					
	Body (4"-12")	Welded steel, epoxy-coated					
	Liner (3" only)	Noryl®					
	Liner (4"-12")	Santoprene flange/Polypropylene liner body					
	Electronics Housing	Powder-coated diecast aluminum					
	Electrodes	316 stainless steel					
	O-ring (3" only)	EPDM					
Display	Type	128x64 dot-matrix LCD					
	Digits	5 Digit Rate			8 Digit Total		
	Units	Rate Volume Units		Rate Time Units	Total Volume Units		
	<i>Please Note: All iMAG meters are factory set for gallons per minute (GPM) rate and gallons total. If other units are required, they can be set in the field.</i>	Gallons Liters Barrels(42 gal) Cubic Feet Cubic Meters	Million Gallons ² Mega Liters ² Imperial Gallons Million Imperial Gallons ²	Second Minute Hour Day	Gallons Gallons x 10 Gallons x 100 Gallons x 1000 Million Gallons Liters Kilo Liters Mega Liters	Barrels (42 gal) Cubic Meters Cubic Meters x 1000 Cubic Feet Cubic Feet x 1000 Second Foot Day Million Cubic Feet	Acre Feet Acre Inches Imperial Gallons Imperial Gallons Gallons x 1000 Million Imperial Gallons Fluid Ounces
	Bidirectional¹	Forward Total, Reverse Total, Net Total, Batch Forward Total, Batch Reverse Total (Batch totals can be reset)					
Power	DC Power	9-36 Vdc @ 250 mA max, 30 mA average					
	Battery Backup	DC powered units: Two lithium 3.6V 'D' batteries, replaceable. AC powered units: One 9V alkaline battery, replaceable.					
	AC Power (iMAG 4700r and 4700p only)	85-264Vac, 50/60Hz, 0.12A					
	Battery (iMAG 4700 only)	Two lithium 3.6V 'D' batteries, replaceable.					
Scaled Pulse Output	Signal	Current sinking pulse, isolated, 36 Vdc at 10 mA max					
	Pulse Rates	User-scalable from 0.1 to 99,999.9 volume units/pulse. Pulse width is one-half of pulse period with minimum pulse width of 2.5 ms, 200 pulses/sec max, 150 pulses/sec max with battery option					
Options	4-20mA Current Loop	Isolated, passive, 24Vdc, 650 Ω maximum current loop					
	HART/4-20mA	HART protocol over 4-20mA line					
	High Speed Digital Output (iMAG 4700 & 4700p only)	Isolated, open collector, 24 Vdc					
	Serial Communications	Isolated, asynchronous serial RS485 (Reconfigurable for RS232 or 3.3V CMOS), Modbus® RTU protocol (factory selectable)					
Cable	Power/Output Cable	20ft (6m) standard length polyurethane jacketed cable—for power and outputs (lengths up to 200' available).					
	Remote Display Cable (iMAG 4700r)	20ft (6m) standard length polyurethane jacketed cable—for connection between meter and remote display (lengths up to 200' available).					
Conductivity	>20 microSiemens/cm						
Empty Pipe Detection	Hardware/software, conductivity-based						
Regulatory	C E (EN 61326), NSF-61						
Environmental	NEMA 6P, IP68 (10ft (3m) depth, continuously)						

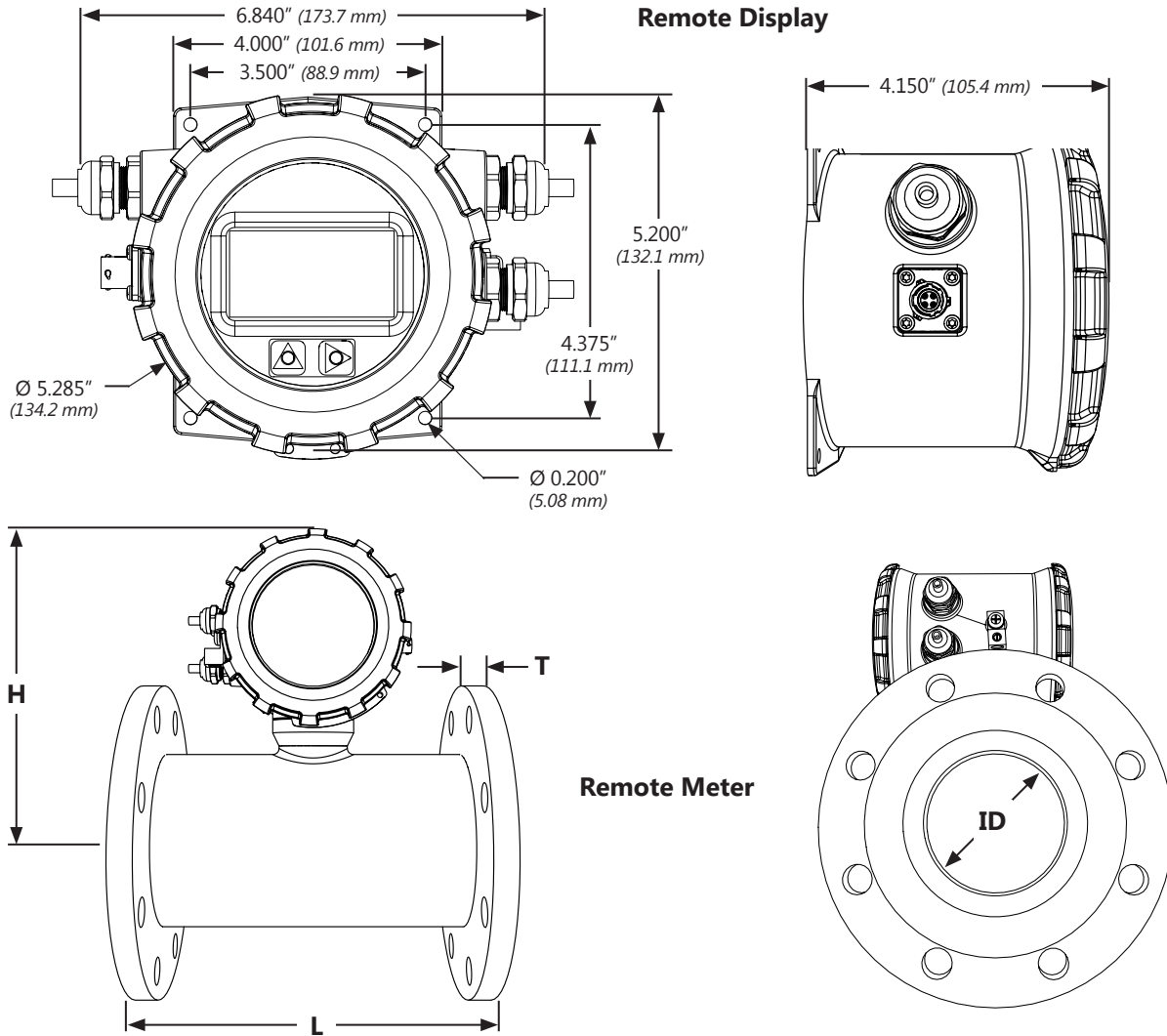
Modbus is a registered trademark of Schneider Electric.

* Specifications subject to change. Please consult our website for the most current data (www.seametrics.com).

¹ If forward and reverse flow data needs to be sent to another device, Modbus output is required.

² Rate Time Unit is available in Day only.

Dimensions

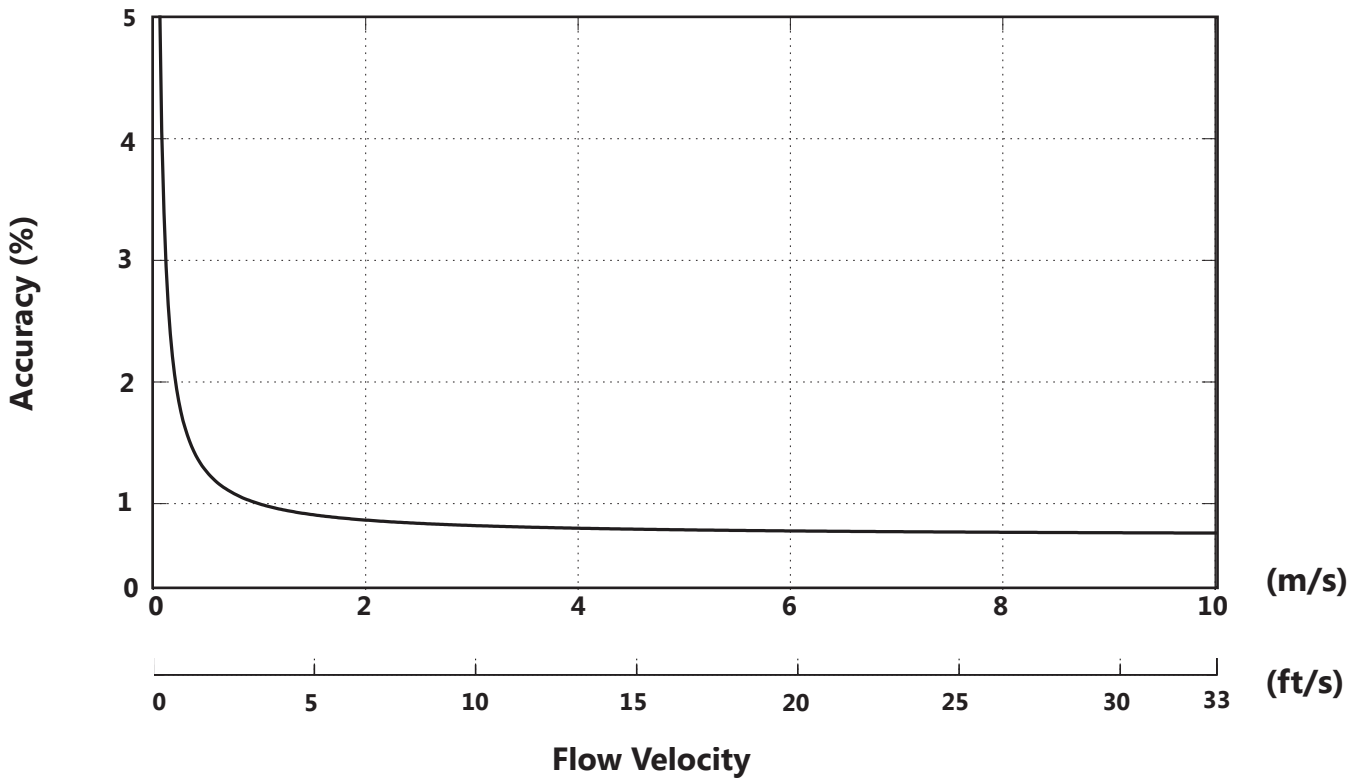


iMAG 4700r Meter Size	L		H		T		ID		Shipping Weight	
	inch	mm	inch	mm	inch	mm	inch	mm	lbs	Kg
3"	12.28	311.15	7.95	201.9	.68	17.25	2.6	66.04	34	15.4
4"	10.24	260	8.6	218	.62	15.7	3.12	79	28	13
6"	12.27	312	9.4	239	.69	17.5	5.05	128	43	19.5
8"	14.24	362	10.4	264	.69	17.5	6.44	164	65	29.5
10"	18.18	462	11.5	292	.69	17.5	8.61	219	124	56.5
12"	19.68	500	12.5	317	.81	20.6	10.55	268	166	75.5
Flanges	Standard ANSI 150 lb. drilling								Cable 1 lb.	

Install security seals during installation if regulations require.



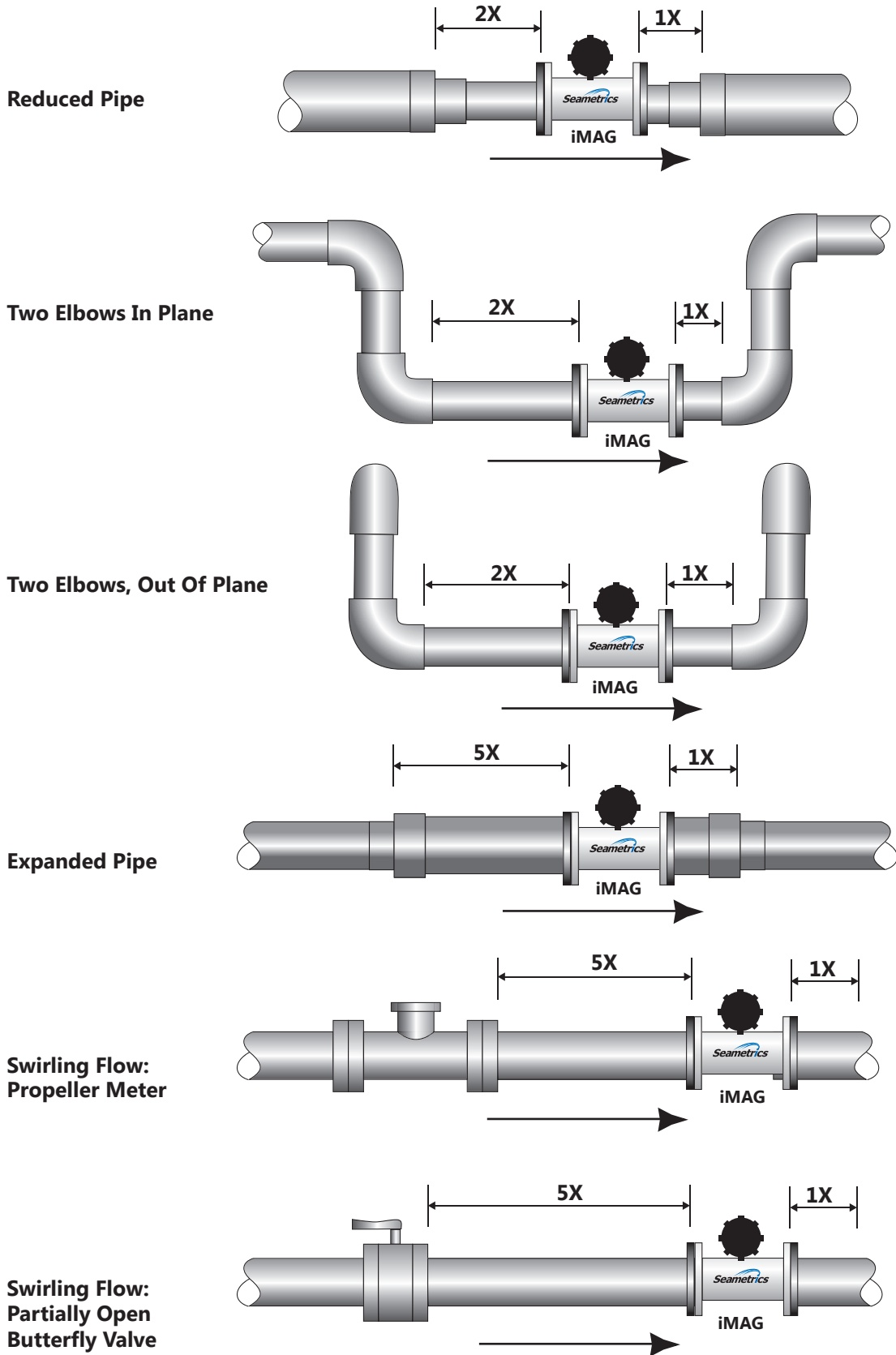
iMAG Accuracy



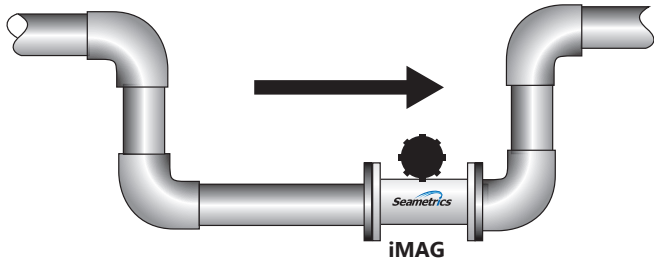
Flow Rate (3" - 12")

Pipe Size (Inches in diameter)	3"	4"	6"	8"	10"	12"
Max Flow Rate (Gallons/Minute)	723	1285	2891	5140	8031	11565
Cut-off (min) Flow Rate (Gallons/Minute)	3.62	6.43	14.46	25.70	40.15	57.82
Max Flow Rate (Liters/Second)	46	81	182	324	507	730
Cut-off (min) Flow Rate (Liters/Second)	0.23	0.41	0.91	1.62	2.54	3.65
Max Flow Velocity (Meters/Second)	10	10	10	10	10	10

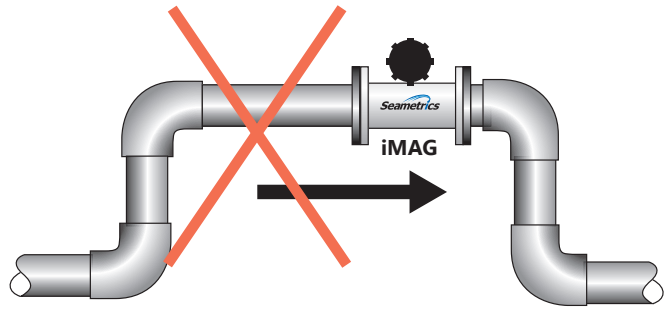
Straight Pipe Recommendations ($X = \text{diameter}$)



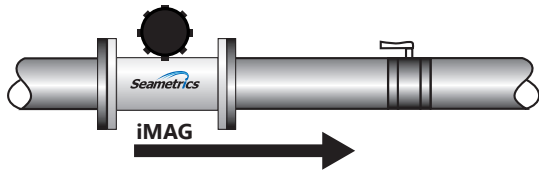
Full Pipe Recommendations



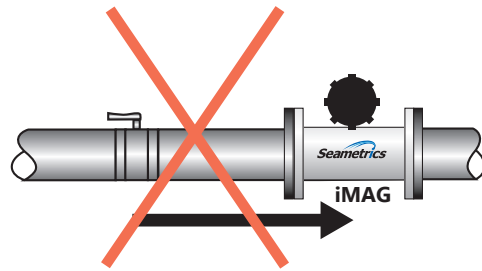
Recommended:
Keep pipe full at meter for accuracy



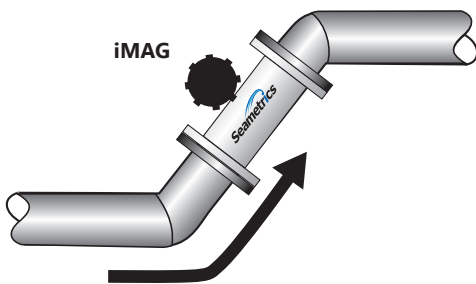
Not Ideal:
Allows air pockets to form at meter



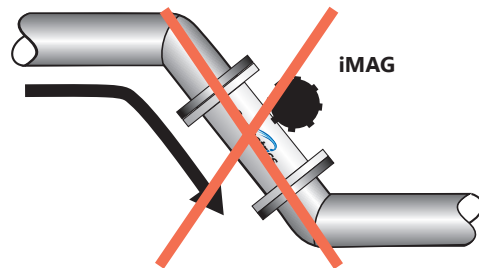
Recommended:
Keeps pipe full at meter for accuracy



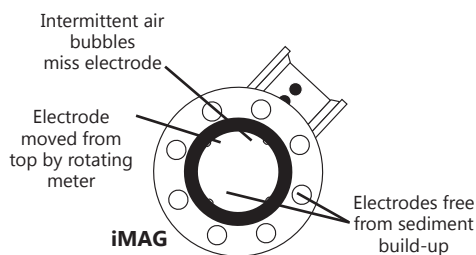
Not Ideal:
Post-valve cavitation can create air pocket



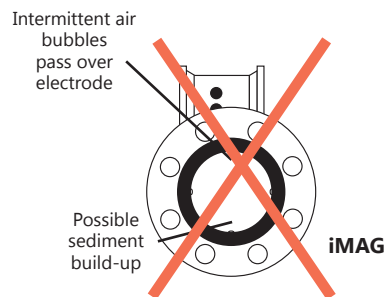
Recommended:
Allows air to bleed off



Not Ideal:
Air can be trapped



Recommended:
Improved accuracy results from unimpeded electrodes



Not Ideal:
Air bubbles and sediment on the electrodes can affect accuracy

Positioning the Meter



CAUTION: These flow sensors are not recommended where installation may expose the flow sensor to boiler pressure and temperature. Maximum recommended operating temperature is 130° F.

These meters can be installed horizontally, vertically (with upward flow), and in any radial position. **Using a check valve on the upstream side of the meter, and/or an air vent (vacuum relief valve) in the same, unobstructed run of pipe as the meter, is required in any installation where the meter may be exposed to suction when the system is not in normal operation. Suction can cause damage to the liner. Liner damage caused by suction, without the use of a check valve and/or air vent, may void the warranty.**

Straight Pipe Recommendations. The iMAG requires straight pipe before and after the meter for best accuracy. However, the ability of electromagnetic meters to average the flow across the entire pipe allows for shorter straight pipe recommendations than most mechanical meters (see page 7).

Full Pipe Recommendations. To prevent false readings, this meter is designed to indicate 'EMPTY PIPE' if one or more electrodes is exposed. For highest accuracy, install the meter so that the pipe will be full when there is flow. If air bubbles may be present in the pipe or sludge accumulation is an issue, rotate the meter by one flange hole to position the control housing at a 45° angle (see diagrams on page 8).

Fittings. The iMAG has ANSI 150 lb. drilled flanges and will mate with any other ANSI 150 lb. flanges. See table on page 10 for flange bolt tightening torque specifications.

Calibration. The AG3000 is factory-calibrated before shipping. The frequency of recalibration will depend on the needs of each application and local regulatory policies.

Chemical Injection. When the iMAG is used in a chemical injection application, **the chemical injection point must be placed downstream of the magmeter OR far enough upstream for complete mixing to occur before the fluid reaches the meter.** When unmixed chemical alternates with water passing through the meter, the rapid changes in conductivity may cause sudden spikes and drops in the meter's reading, resulting in inaccurate measurement. The magmeter will restabilize, however, with a steady flow of fluid of uniform conductivity.



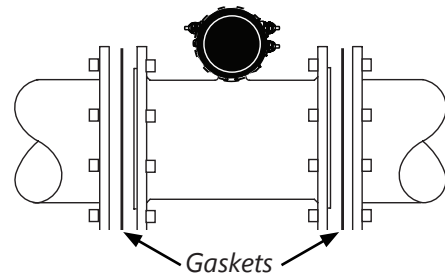
CAUTION: In chemical injection applications, install chemical injection point downstream of magmeter, or far enough upstream to allow complete mixing of fluids.

Installing Gaskets

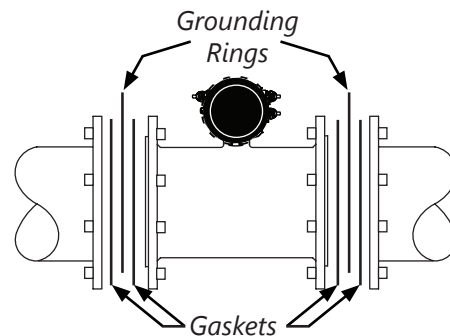


GASKETS
Gaskets are required at all junctions.

1. Select a suitable full-face gasket.
 - Only use flat compressible gaskets (pliable or hard fiber will work).
 - Use a material compatible with the fluid you will be using.
 - Thickness should be 1/8" - 1/4" (3 - 6 mm), depending on the flatness of the pipe flange surface.
 - Inner diameter must be larger than opening in flow meter.
2. Be sure all mating surfaces are smooth and free of debris.
3. Install gaskets on each end of meter as shown in diagrams below. If using grounding rings, install one gasket on each side of the grounding ring.



Installation without grounding rings

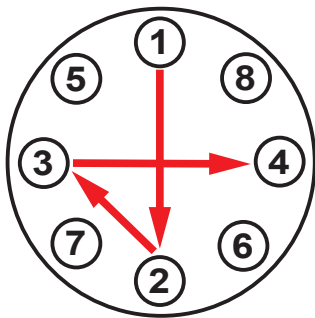


Installation with grounding rings

Tightening Flange Bolts

NOTE: Mating pipe flanges must be ANSI 150# full face (FF) and/or raised face (RT).

1. Tighten flange bolts in an alternating pattern.
 - Tighten left flange bolt-1 to 20% recommended torque.
 - Tighten right flange bolt-1 to 20% of recommended torque.
 - Repeat steps a and b for each bolt in an alternating order, such as shown at right, tightening to 40%, then 60%, then 80%, and then 100%.
2. Test for leaks.
3. If needed, tighten further in 10% increments until leaking stops. **DO NOT over-tighten. Over-tightening can cause serious damage to the flow meter.**
4. Recheck after 24 hours, adjusting if needed.



Suggested Tightening Sequence



Caution: Improper tightening sequence can cause serious damage to the flow meter.

- Do not tighten one side at a time.
- Do not tighten each bolt completely at one time.

SUGGESTED FLANGE BOLT TORQUE

Pipe Size	Santoprene Liner	
	ft-lb	Nm
3"	25	34
4"	20	27
6"	42	57
8"	65	88
10"	73	99
12"	97	132

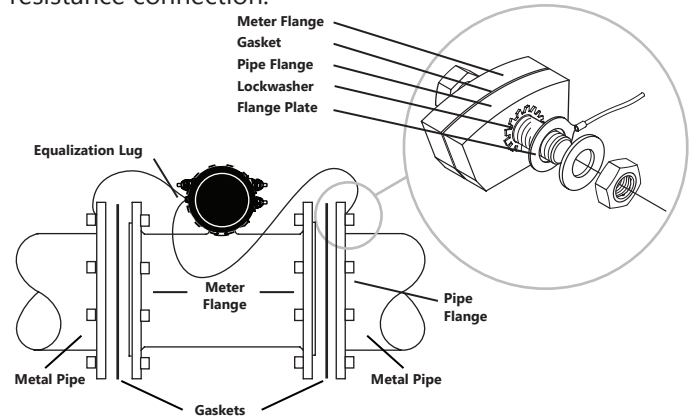
Equalization and Grounding



WARNING: ELECTRICAL SHOCK HAZARD

When the iMAG is installed in a plastic piping system, or when externally powered, the piping system must be grounded to meet national and local electrical safety codes. Failure to do so can result in electrocution.

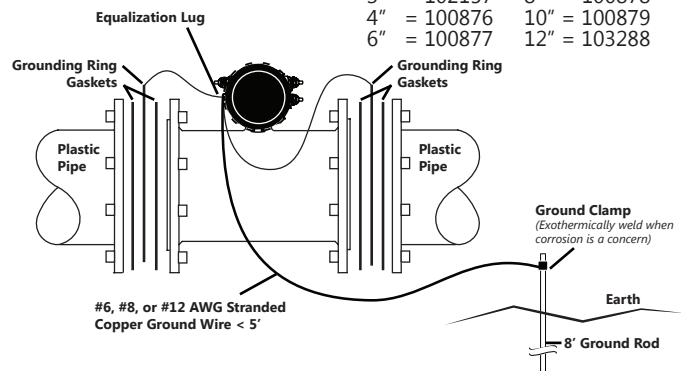
Metal Pipe Installations. To equalize the electrical potential of the fluid, the iMAG meter, and the surrounding pipe, secure the flange plates (factory-installed on the equalization wire) to both pipe flanges at one of the bolt holes, as shown below. Be sure the lock washer fits between the pipe flange and the flange plate. For the best electrical bonding, remove rust and paint to expose clean, bare metal where the equalization flange plate lock washer contacts the pipe flange. Connection must be inspected periodically for corrosion to maintain the necessary low resistance connection.



Plastic Pipe Installations. When the iMAG is installed in a plastic piping system, grounding rings are recommended, especially in the presence of electrical interference sources such as VFD pump drives. As shown in the diagram below, the equalization wires should then be connected to the grounding ring tabs instead of the flange bolts as in metal piping installations. Where lightning is a threat, or in severe electrical environments, an optional connection to a nearby equipment ground or ground rod may be advisable.

Grounding Ring Part Numbers:

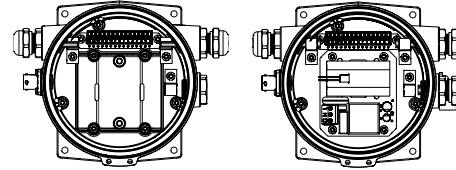
- 3" = 102157 8" = 100878
- 4" = 100876 10" = 100879
- 6" = 100877 12" = 103288



General Cable Information

For the iMAG 4700r, a cable needs to be installed from the terminal block on the remote display interface board to the 15 pin connector inside the remote display. This cable is referred to as the remote meter cable. Four wires need to be connected: +REM PWR, - REM PWR, B, and A. There are an additional 2 cable ports that can be used for power (DC or AC) and any outputs that are installed on the meter such as scaled pulse, 4-20mA, Modbus®, and HART. (See Sample Control Cable Wiring Diagrams and Control Cable Wiring Table.)

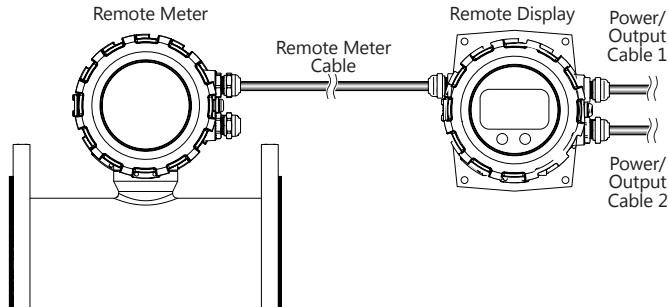
The display is available in either DC or AC versions.



DC version

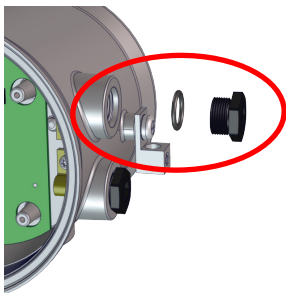
AC Version

If the meter is configured with AC power, one of the additional Power/Output cable ports must be reserved for AC power only. We do not recommend combining AC power signals with any of the meter outputs in a single cable. If the meter is configured for DC power, you may have one or two cables, depending on configuration. (See Cable Wiring Diagrams.)

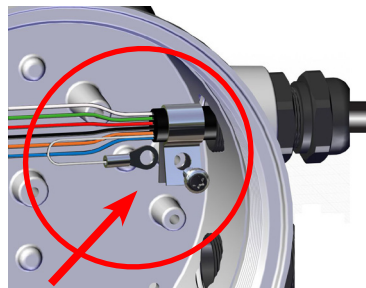


Cable Gland Opening and Sealing

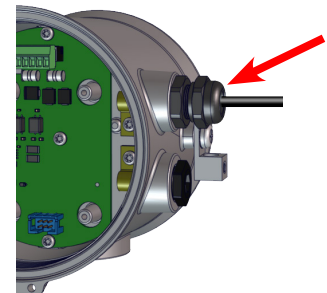
WARNING: Improper sealing of glands or cables will invalidate any warranty.



Remove plug & o-ring. Insert cable gland/strain relief. Feed cable through cable gland.



Clamp cable with strain relief clips. Attach drain wire lug to bracket post.

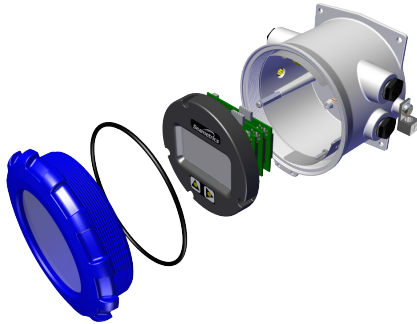


CRITICAL!
Torque cable gland sealing nut to 22 in-lbs.

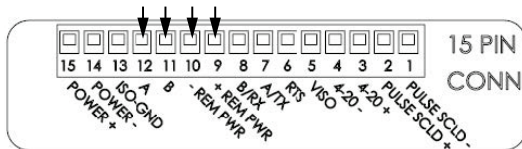
Cable Installation

Remote Display Wiring

1. On the remote display, unscrew the display lid and remove it.
2. Remove the 3 screws holding the display assembly and remove it from the meter exposing the internal 15 pin connector. Be sure to **NOT** undo any connections to the display assembly as you remove it.

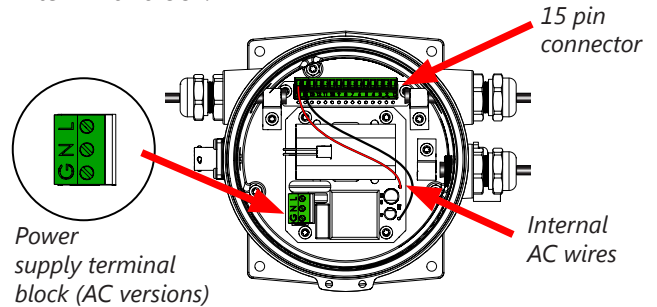


3. Remove the 15 pin screw connector from the bag.
4. Remove the plug and o-ring from the cable port(s) where you want to insert the cable(s).
5. Install cable gland(s) and insert cable end(s).
6. Strip cable jacket and conductors and install the wires into the screw connector in their respective locations (+REM PWR (red), - REM PWR (black), B (orange), and A (blue)).



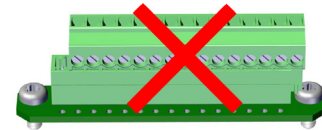
7. At this point, install any other options (Modbus®, pulse, HART, etc...) using the Power/Output cable(s) through the Power /Output cable port(s), and securely screw them into the screw connector in their respective locations. (See Cable Wiring Table for details.)
8. If using AC power version continue here. If not, then skip to step 13. If AC then take the red and black wires coming out of the AC supply board and install in POWER+ and POWER- (red wire to pin 15, black wire to pin 14).
9. When the AC power supply board is installed, 85-264 VAC power is supplied via a 3 conductor power cord. If installed outdoors or less than 33ft. (10m) from a utility power service entrance, AC power should be supplied via a properly-grounded surge suppression device.

10. Remove the plug and o-ring from the AC cable port.
11. Install cable gland and insert cable end.
12. Strip cable jacket and conductors and install 3 conductor power cable and wire to Line (L), Neutral (N) and ground (G) positions on power supply terminal block.

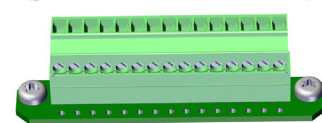


13. Plug the 15 pin screw connector into its socket. **Be sure all pins align properly and that the connector has not slipped to one side.**

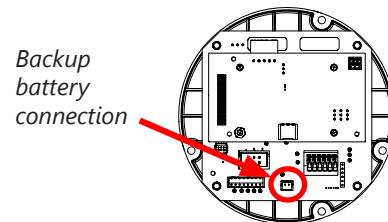
Improper alignment



Proper alignment



14. **Plug the backup battery cable into the back of the display assembly.** (Standard backup batteries are two 3.6V "D" lithium cells. For the AC option, the backup battery is a 9V alkaline cell.)

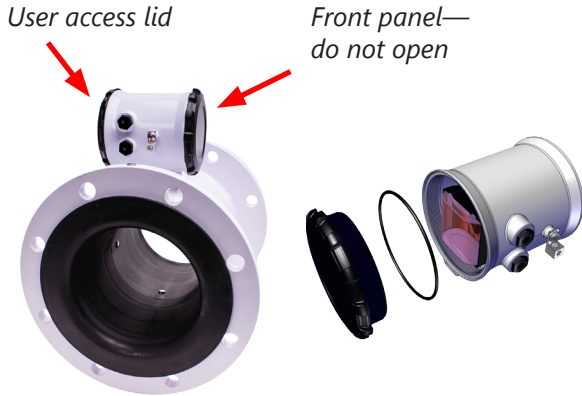


15. Secure the cables inside the internal strain relief clips and tighten the cable gland sealing nuts securely (torque nut to 22 in-lbs). A loose nut could cause moisture ingress and compromise the meter head's IP68 rating, voiding the warranty.
16. Remount the display assembly, being careful to not pinch any wires, and install the display assembly screws.
17. Reinstall the display lid, being sure to avoid cross-threading the lid.

Cable Installation (continued)

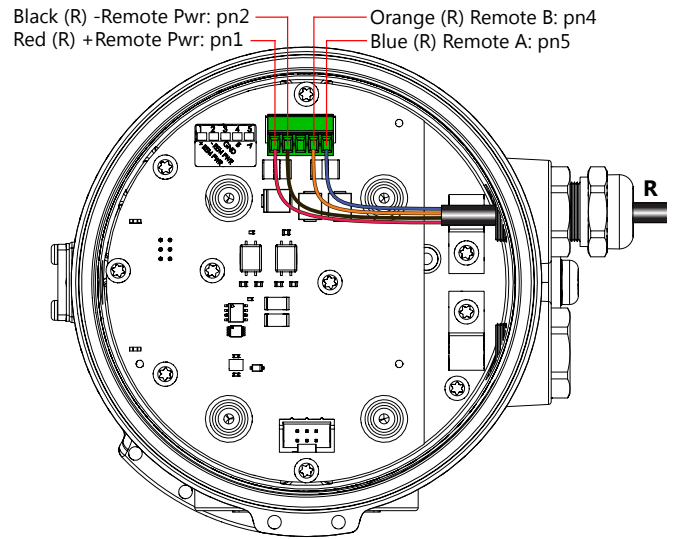
Remote Meter Wiring

1. On the remote meter, unscrew the user access lid and remove it.

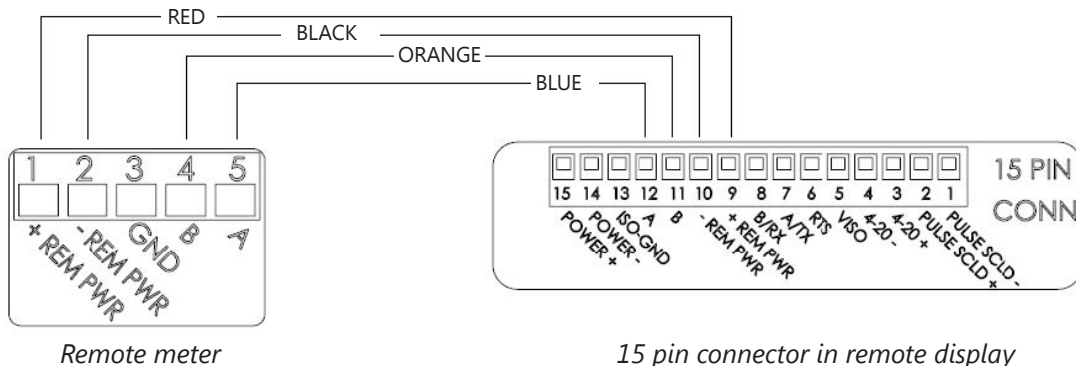


2. Remove the 5 pin screw connector from its socket.
3. Remove the plug and o-ring from the cable port.
4. Install cable gland and insert cable end.
5. Strip cable jacket and conductors and install the wires into the 5 pin screw connector in their respective locations (+REM PWR (red), - REM PWR (black), B (orange), and A (blue)).

6. Secure the remote sensor cable inside the internal strain relief clip and tighten the cable gland sealing nut securely (torque nut to 22 in-lbs.). A loose nut could cause moisture ingress and compromise the meter head's IP68 rating; voiding the warranty. Plug the 5 pin screw connector into its socket.
7. Reinstall the user access lid. Be sure to avoid cross-threading the lid and to not pinch any wires with the lid.



Remote Meter



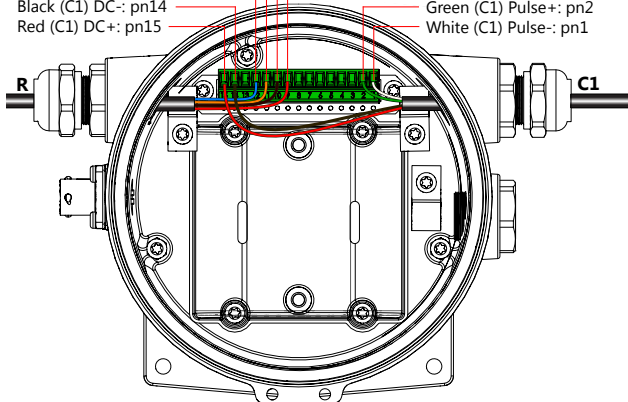
Remote meter

15 pin connector in remote display

Wiring Diagrams (Remote Display)

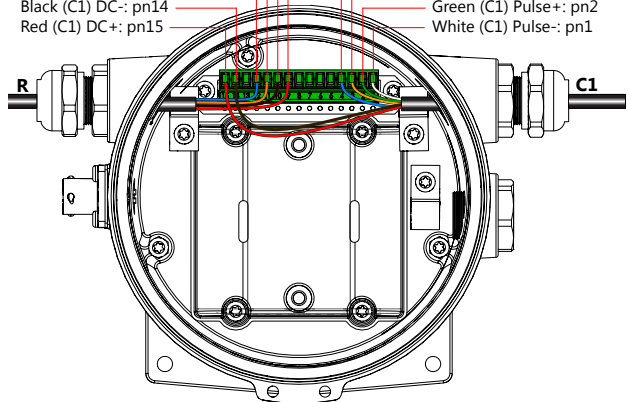
Remove the 3 screws holding the display assembly and remove it from the meter. Remove the 15 pin screw connector from its bag. Install the wires through the cable glands into the 15 pin screw connector in their respective locations. Plug the 15 pin screw connector into its socket. (C1 = power/output cable 1, C2 = power/output cable 2, R = remote cable)

- Orange (R) Remote B: pn11
- Blue (R) Remote A: pn12
- Black (C1) DC-: pn14
- Red (C1) DC+: pn15
- Black (R) -Remote Pwr: pn10
- Red (R) +Remote Pwr: pn9
- Green (C1) Pulse+: pn2
- White (C1) Pulse-: pn1



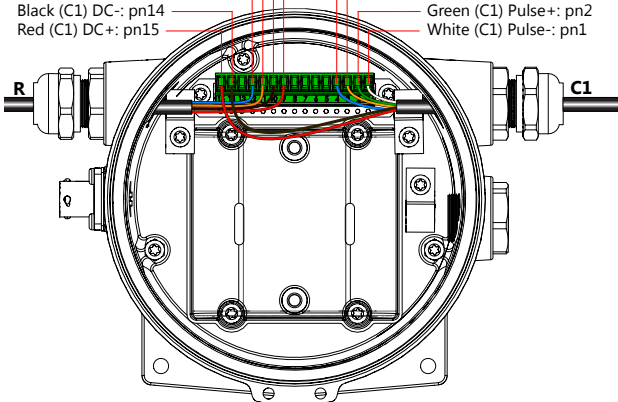
DC Power with Pulse (D1X/D2X)

- Black (R) -Remote Pwr: pn10
- Orange (R) Remote B: pn11
- Blue (R) Remote A: pn12
- Black (C1) DC-: pn14
- Red (C1) DC+: pn15
- Red (R) +Remote Pwr: pn9
- Blue (C1) 4-20mA-: pn4
- Orange (C1) 4-20mA+: pn3
- Green (C1) Pulse+: pn2
- White (C1) Pulse-: pn1



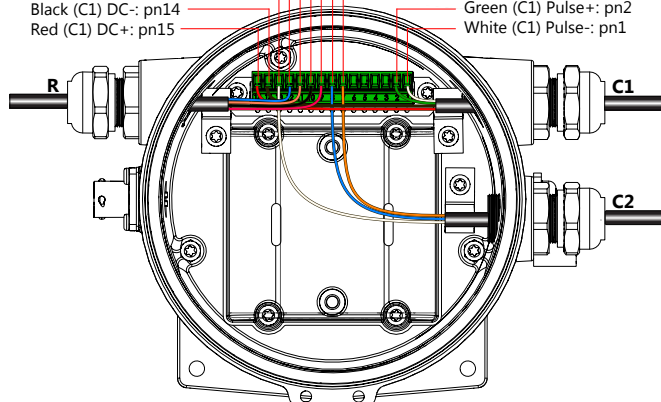
DC Power with Pulse and 4-20mA (D1L/D2L)

- Black (R) -Remote Pwr: pn10
- Orange (R) Remote B: pn11
- Blue (R) Remote A: pn12
- Black (C1) DC-: pn14
- Red (C1) DC+: pn15
- Red (R) +Remote Pwr: pn9
- Blue (C1) 4-20mA-: pn4
- Orange (C1) 4-20mA+: pn3
- Green (C1) Pulse+: pn2
- White (C1) Pulse-: pn1

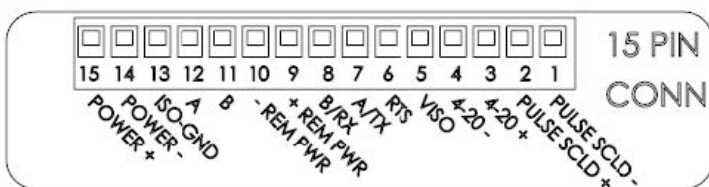


DC Power with Pulse and HART/4-20mA (D1H/D2H)

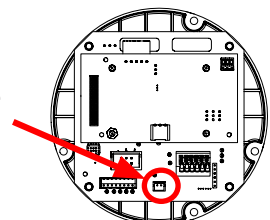
- Black (R) -Remote Pwr: pn10
- Orange (R) Remote B: pn11
- Blue (R) Remote A: pn12
- White (C2) Modbus Gnd: pn13
- Black (C1) DC-: pn14
- Red (C1) DC+: pn15
- Red (R) +Remote Pwr: pn9
- Blue (C2) Modbus B/RX: pn8
- Orange (C2) Modbus A/TX: pn7
- Green (C1) Pulse+: pn2
- White (C1) Pulse-: pn1



DC Power with Pulse and Modbus® (D1S/D2S)

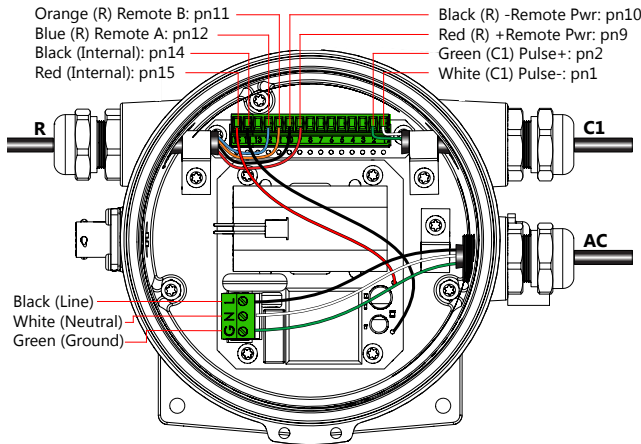


Plug the backup battery cable into the back of the display assembly.

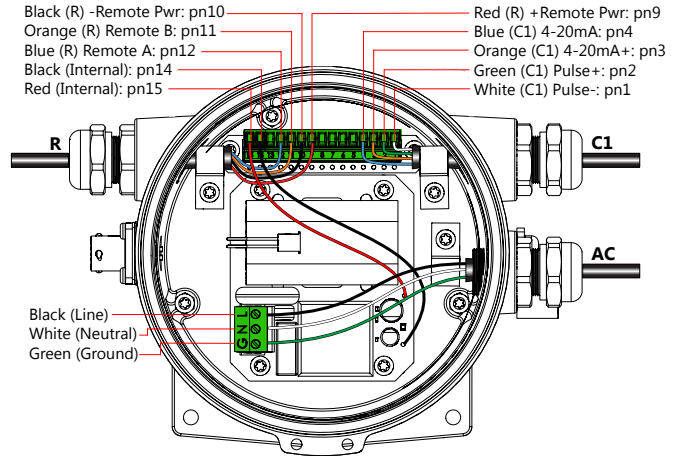


Wiring Diagrams (Remote Display) (continued)

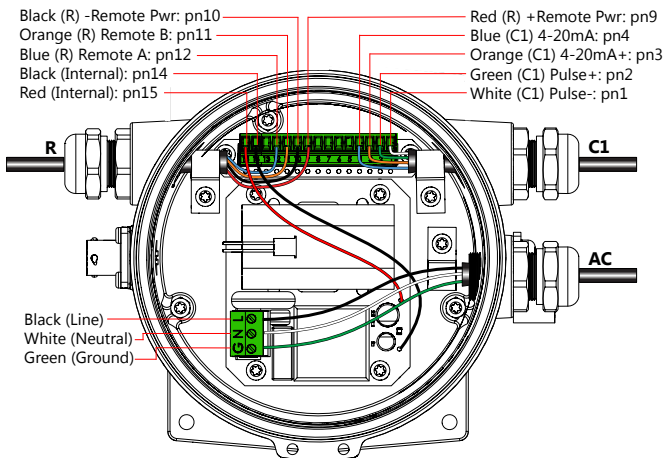
Remove the 3 screws holding the display assembly and remove it from the meter. Remove the 15 pin screw connector from its bag. Install the wires through the cable glands into the 15 pin screw connector in their respective locations. Plug the 15 pin screw connector into its socket. (C1 = power/output cable, R = remote cable, AC = AC power cable)



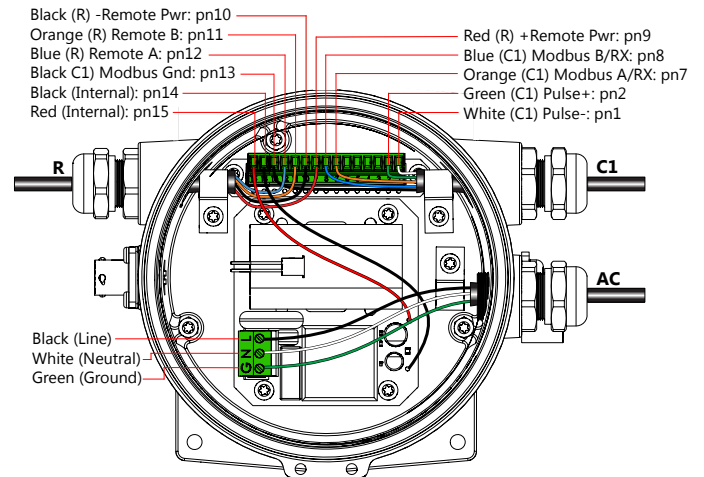
AC Power with Pulse (A1X/A2X)



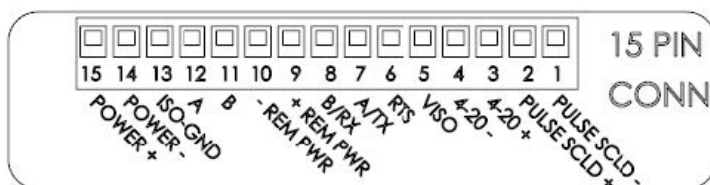
AC Power with Pulse and 4-20mA (A1L/A2L)



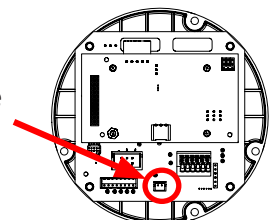
AC Power with Pulse and HART/4-20mA (A1H/A2H)



AC Power with Pulse and Modbus® (A1S/A2S)



Plug the backup battery cable into the back of the display assembly.



Cable Wiring Table

PIN	15	14	13	12	11	10	9	8	7	6	5	4	3	2	1
O ID	PWR+	PWR-	ISO-GND	A	B	-REM PWR	+REM PWR	B/RX	A/TX	RTS	VISO	4-20 -	4-20 +	PULSE SCLD+	PULSE SCLD-
D1X/D2X	RED C1	BLACK C1		BLUE R	ORNG R	BLACK R	RED R							GREEN C1	WHITE C1
D1L/D2L	RED C1	BLACK C1		BLUE R	ORNG R	BLACK R	RED R					BLUE C1	ORNG C1	GREEN C1	WHITE C1
D1H/D2H	RED C1	BLACK C1		BLUE R	ORNG R	BLACK R	RED R					BLUE C1	ORNG C1	GREEN C1	WHITE C1
D1S/D2S	RED C1	BLACK C1	WHITE C2	BLUE R	ORNG R	BLACK R	RED R	BLUE C2	ORNG C2					GREEN C1	WHITE C1
A1X/A2X	RED INT	BLACK INT		BLUE R	ORNG R	BLACK R	RED R							GREEN C1	WHITE C1
A1L/A2L	RED INT	BLACK INT		BLUE R	ORNG R	BLACK R	RED R					BLUE C1	ORNG C1	GREEN C1	WHITE C1
A1H/A2H	RED INT	BLACK INT		BLUE R	ORNG R	BLACK R	RED R					BLUE C1	ORNG C1	GREEN C1	WHITE C1
A1S/A2S	RED INT	BLACK INT	WHITE C1	BLUE R	ORNG R	BLACK R	RED R	BLUE C1	ORNG C1						

(C1 = power/output cable 1 C2 = power/output cable 2 R = remote cable INT = Internal AC power wires)

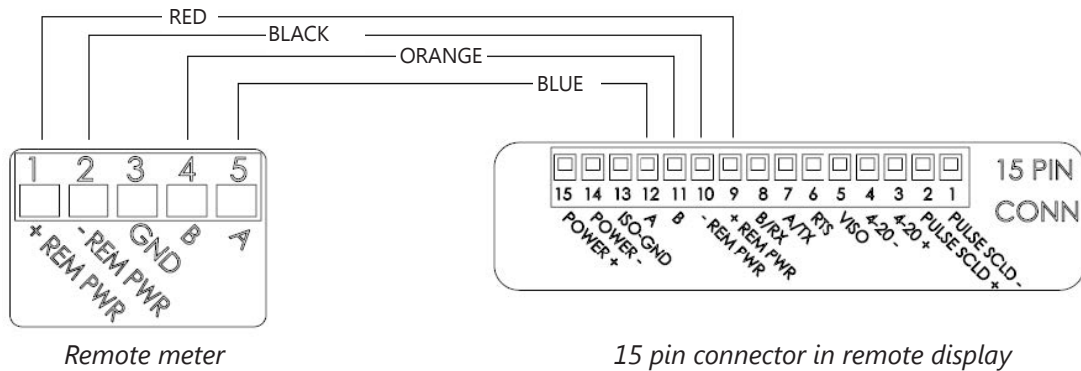
Option IDs

O ID POWER SOURCE / OUTPUT(S)

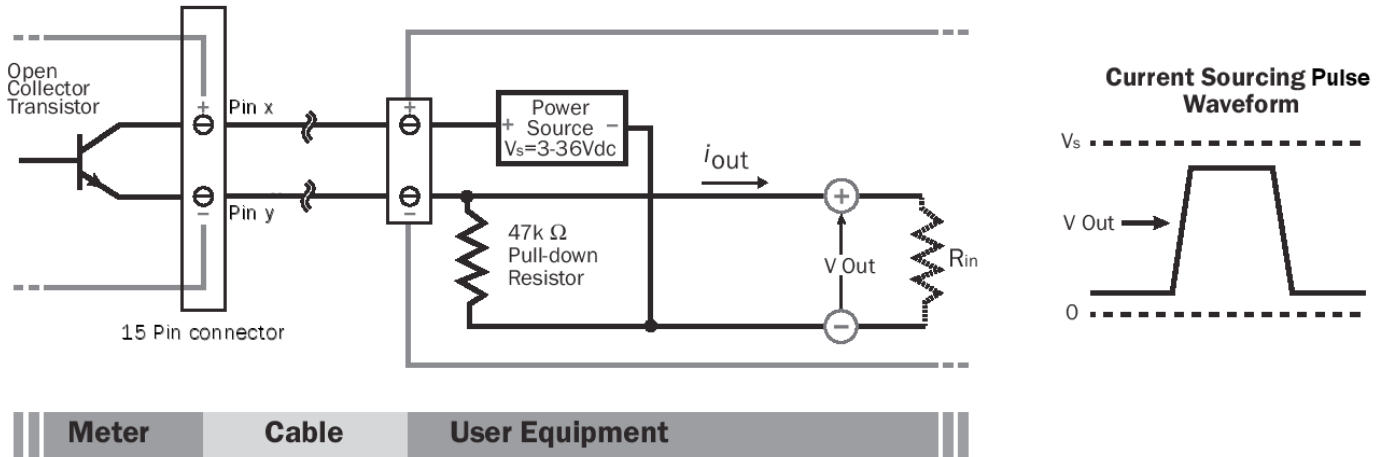
- D1X/D2X = DC POWER / PULSE SCALED
- D1L/D2L = DC POWER / PULSE SCALED AND 4-20mA
- D1H/D1L = DC POWER / PULSE SCALED AND HART/4-20mA
- D1S/D1L = DC POWER / PULSE SCALED AND MODBUS

O ID POWER SOURCE / OUTPUT(S)

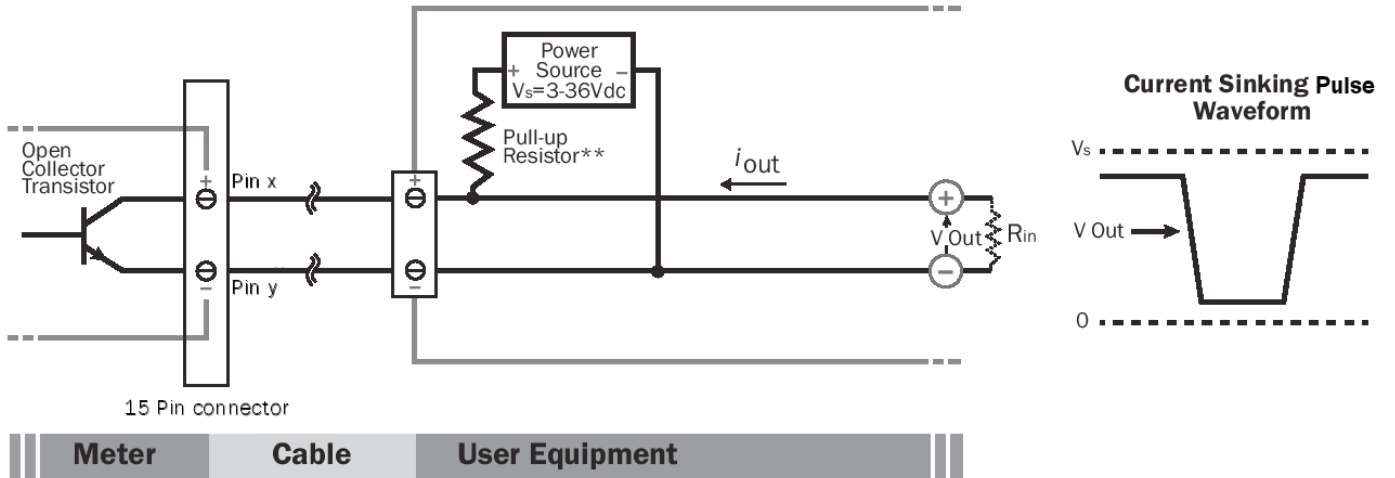
- A1X/A2X = AC POWER / PULSE SCALED
- A1L/A2L = AC POWER / PULSE SCALED AND 4-20mA
- A1H/A2H = AC POWER / PULSE SCALED AND HART/4-20mA
- A1S/A2S = AC POWER / MODBUS



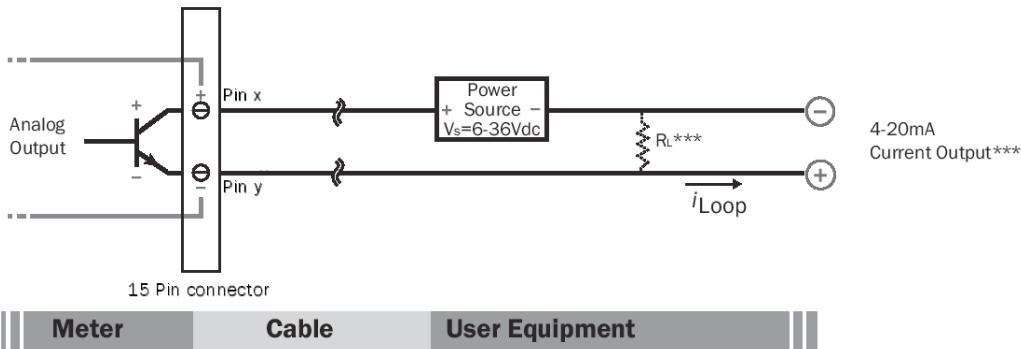
Pulse Output Application - Sourcing Mode (Recommended for $R_{in} < 30k\Omega$)



Pulse Output Application - Sinking Mode (Recommended for $R_{in} > 30k\Omega$)



Analog (4-20mA Current Loop) Output Application



** Minimum resistor value is $(100 \times V_s)$ ohms. Higher resistances maybe used depending on frequency and cable length. Longer cables and high frequencies require lower resistance.

*** Resistor R_L converts 4-20mA current to voltage for voltage input only devices.

Cable Shield. In general, the cable shield and its bare drain wire should be left unconnected at the user equipment end of the cable to minimize “ground loop” problems.

Pulse Output Configuration. A pulse output is standard on all models. Since this is an isolated output, the external equipment must include a DC power source to regenerate the pulse from the open-collector output (transistor equivalent of a contact closure). A pull-up or pull-down resistor may be needed if not included in the user equipment as shown in the diagrams. Both the power source and resistor may be supplied internally in some types of control and monitoring devices. If not, as for most PLC discrete input modules, they must be added externally at the module input terminals. The pulse output rate in volume units/pulse can be set by the user via the SETP tab on the meter’s setup menus.

Because the pulse output of an iMAG 4700 meter is set by the user, care must be taken to assure the output pulses do not exceed the maximum frequency of the meter while also ensuring a reasonable resolution.

K-factor: Remember that SETP is expressed in units totaled per output pulse (G/P if using gallons) while K-factors are expressed in pulses per gallon (P/G.) To determine K-factor from SETP, divide 1 by SETP (if SETP is expressed in gallons.) Conversely, 1 divided by the K-factor equals SETP

iMAG 4700 meters that were initially configured as battery powered units have a maximum output frequency of 150 Hz. Those that were initially configured as powered units have a maximum output frequency of 200 Hz.

Because all pulse outputs (SETP) are configured in (rate) units totaled per pulse, all sizes of meters can be configured with the same SETP values

For example, if your rate is chosen as gallons per minute (GPM) the table below applies. If your rate is different, simply use your rate label in place of (GPM.) The numerical values will remain the same.

Pulse Units. The units of measure of SETP are independently selectable and are not tied to rate or total. Upon change of the SETP unit, the pulse output may take up to 10 seconds, or the duration of one pulse (whichever is longer) to take effect.

If Pulse Output is Inconsistent. The DAMP filter may need to be increased.

Pulse Width Timing. The unit and value of SETP must be chosen to keep the duration between meter pulse outputs to less than 500 seconds.

SETP	Flow Rate at 1 Hz (GPM)	Flow Rate at 200 Hz (GPM) <i>Powered Meters</i>	Flow Rate at 150 Hz (GPM) <i>Battery Powered Meters</i>
0.1	6	1200	900
0.2	12	2400	1800
0.3	18	3600	2700
0.4	24	4800	3600
0.5	30	6000	4500
0.6	36	7200	5400
0.7	42	8400	6300
0.8	48	9600	7200
0.9	54	10800	8100
1.0	60	12000	9000

Lower frequency output pulses (1 pulse for some particular number of gallons) can also be set.

Any output frequency can be determined by:

$$\text{Rate (units/minute)} \div \text{SETP (units/pulse)} = \text{pulse/minute}$$

$$\text{Hz} = \text{pulse/minute} \div 60 \text{ seconds / minutes}$$

For reference/comparison only

K-factors and the equivalent SETP values for old style WMX units are shown below.

WMX	4"	6"	8"	10"	12"
K-Factor	16.36	6.31	3.34	2.15	1.53
SETP	0.06*	0.16	0.30	0.47	0.65

**Note that on the iMAG 4700 you would need to choose a SETP value of 0.1 for the 4".*

Analog Output (4-20mA) Configuration. *(Not available on battery only units.)* Since the meter’s analog output is isolated and passive, loop power must be supplied externally as shown on previous page. (In addition, an external resistor R_L will be needed to convert the loop current to voltage for voltage-only input devices.) The meter’s loop transmitter minimum voltage drop is 6Vdc (8Vdc with HART) which, with wiring resistance and loop power supply voltage, will determine the maximum resistance for R_L . The flow rates corresponding to 4 and 20mA can be set by the user via the SET 4 and SET20 tabs on the meter’s setup menus.

HART Configuration. *(Not available on battery only units.)* The HART protocol, rev.7.5, allows for a Polling address between 0 and 63. The default value in the iMAG is 0. To change the Polling address, use iMAG menu HPOLL to set the Polling address.

To get to this menu, move to the EXIT tab and tap the left button 4 times. This will bring up the SUBMENU page. Navigate to the HPOLL tab. Use the left button to select the Polling address.



To enter SUBMENU



To select address

(See Changing Flow Meter Settings later in these instructions for details in using the menu system.)

A minimum of 250 ohms of loop resistance must be present in order for the HART modem to correctly and reliably demodulate FSK voltage. With this in mind, the maximum loop resistance* for the iMAG HART interface cannot be exceeded in order to assure correct operation.

The iMAG HART interface is HART compatible. All the commands have been implemented in accordance with the HART Protocol Specification published by HART Foundation. A HART Communicator can be used with the iMAG, even in the absence of DD files, by taking advantage of the Generic Online Menu capability of a Communicator. This means that a generic menu is automatically available when DD files are not present.

The following information from the iMAG HART can be displayed on the Communicator using the generic menu:

PV	Flowrate in units selected for iMAG
PV Loop Current	Loop current in mA
PV LRV	Lower range value of PV in units selected for iMAG
PV URV	Upper range of PV in units selected for iMAG

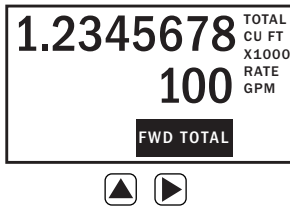
**4-20 mA loop has maximum loop resistance of 650ohms and requires a 24Vdc power supply.*

Modbus® Serial Communication Configuration (factory configured). *(Not available on battery only units.)* These connections provide a half-duplex, isolated, RS485 serial communications port using the Modbus messaging protocol. The port is reconfigurable by internal jumper settings to full-duplex RS232 or 3.3V CMOS. The TXD connection is the transmitted data output from the meter and RXD is the received data input to the meter. See Seametric’s Modbus Interface Description, LT-103393 (available at www.seametrics.com) for supported Modbus message protocol and electrical interface specifications.

Changing Flow Meter Settings

Home Screen and General Navigation

The HOME Screen displays flow volume, direction of the flow total and flow RATE along with status conditions such as Empty Pipe. Two buttons below the LCD display are used to access menu screens for viewing and changing meter setup parameters.



These two buttons are light sensors which can detect when a finger is covering them. Only three button touch actions are needed to control navigation through the menus, settings changes and back to the home screen.

HORIZONTAL SCROLLING:

Tap right button to scroll horizontally through menu tabs or move horizontally within a tab dialog when applicable.



SELECT:

Tap left button to change a highlighted item within a tab dialog.



ENTER/EXIT:

Hold left button while tapping right button once to enter or exit a tab dialog or to navigate between the HOME and other menu screens.

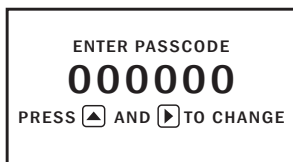


Changing Total Direction/Resetting Totalizers

On the Main screen, tap to select the direction of the total display. To reset BATCH FWD or BATCH REV, select with and then tap four times.

Entering Menu System

To enter the Menu System perform the hold and tap sequence. The Passcode entry screen will display. The default passcode is 000000. If a different passcode has previously been set, use the and to enter that passcode. In either case, hold and tap again to move into the menu system. (If you enter the wrong passcode, hold and tap again to return to the previous screen. See page 22 for information on how to change a passcode.)



Making Selections

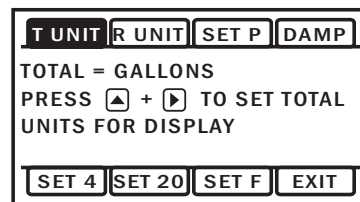
Once in the Menu System, move from tab to tab by tapping the right button. (See the next page for details on the various available tabs.)



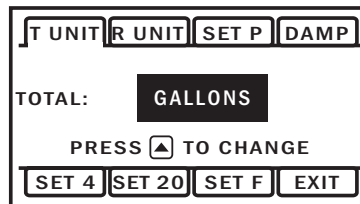
Select the parameter. In the screen for the highlighted tab you will see the current parameter value for that tab. Tapping the right button, move to the tab for the parameter you want to change.



In this example, the first line indicates that the current unit for the TOTAL is GALLONS. The next two lines tell you what to do next.



If you would like to change the TOTAL units, just perform the hold and tap sequence to bring up a screen to change the setting.



Select a new setting. Select the new setting by scrolling through a list of selections as in the screen illustration below by tapping the left button to find a different TOTAL unit.



Accept changes. To accept any changes you have made, perform the hold and tap sequence.



When finished making changes. When you are finished making changes, move to the EXIT tab using the right button.



To return to the HOME screen, perform the hold and tap sequence.

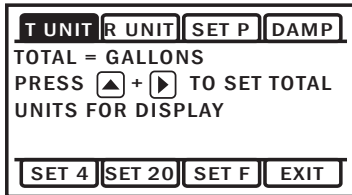


Standard Menu Options

Note: Available options will depend on specific meter configuration. Not all options are available on all meters.
Options not ordered with your meter will not appear on the meter menu.

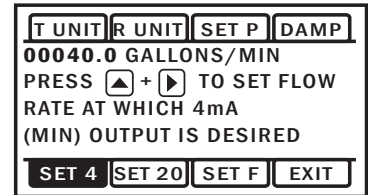
T UNIT

View or change TOTAL volume units



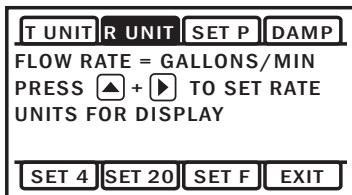
SET 4

View or change flow rate corresponding to 4mA.



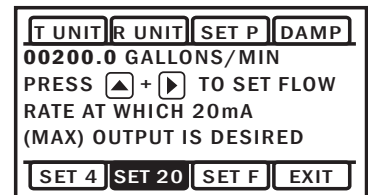
R UNIT

View or change flow RATE units



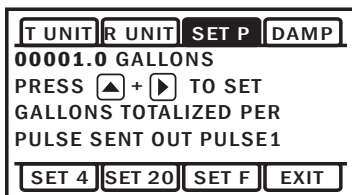
SET 20

View or change flow rate corresponding to 20mA.



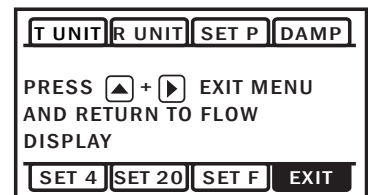
SET P

View or change pulse output scaling



EXIT

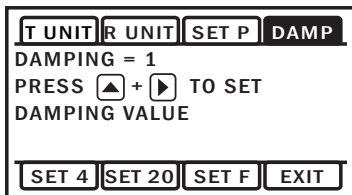
Return to HOME SCREEN or enter SUBMENU



DAMP

View or change # of seconds for rolling average.

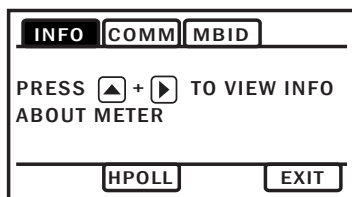
(0=1 second,
1=2 seconds, etc.)



Special SUBMENU for Further Options

The EXIT tab in the MAIN MENU has a second function. If, instead of using the hold and tap sequence to return to the HOME screen, you tap five times, you will be redirected to a SUBMENU screen from which you can access several more options. Navigation in this SUBMENU is the same as for the MAIN MENU. Whenever you wish, go to the EXIT tab in the SUBMENU and perform the hold and tap sequence to return to the MAIN MENU.

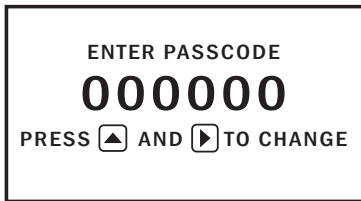
- INFO: Meter model number, serial number, and firmware version.
- COMM: Modbus® baud rate and parity.
- MBID: Modbus® address
- HPOLL: HART Address
- EXIT: Return to MAIN MENU.



Sub-Menu

To Change a Passcode and Decimal Places

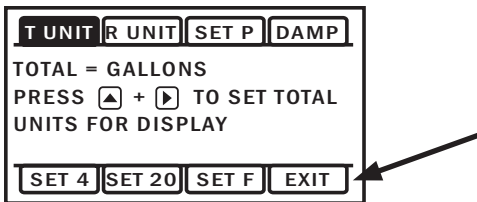
The iMAG has a passcode system for restricting access to the menus. The iMAG comes from the factory with the passcode set to 000000. When a user attempts to enter the menu system (see details on page 20), the passcode entry screen will be displayed.



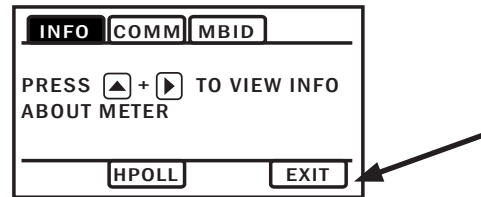
The default passcode is 000000. If a different passcode has previously been set, then the user must enter that passcode at this time. After entering the passcode, or leaving it at 000000 if using the default passcode, the user does the tap and hold sequence to move into the menu system.

To change the passcode, you must use the Set Passcode/Decimal Place screen. Access the Set Passcode screen as follows:

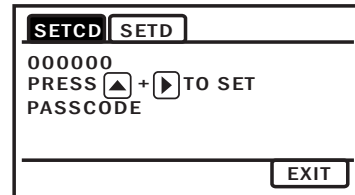
- Enter the main menu system, as described above.



- On the main menu, tab over to the EXIT tab and tap the up arrow five times. A SUBMENU screen will display.



- On the SUBMENU screen tab over to the EXIT tab and tap the up arrow five times. The Set Passcode screen will display.



- To set the code, hold and tap and then use the [up] and [right] to enter the new code.
- Hold and tap again to return to the Set Passcode/Decimal Place screen.
- Tab to EXIT, and then hold and tap to return to the SUBMENU.

To change the number of decimal places in the total

- To set the decimal point, hold and tap on SETD and then use the [right] to move the decimal point.
- Hold and tap again to return to the Set Passcode/Decimal Place screen.
- Tab to EXIT, and then hold and tap to return to the SUBMENU.

Power Indicators

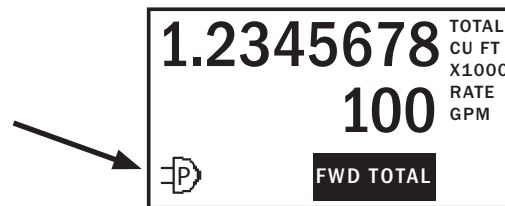
A power indicator is displayed in the lower left of the main display window.


When powered by external DC or internal AC, a power plug will display.


When powered by battery (or if external DC or internal AC power fails) a battery icon will display.


OK on the battery indicator means battery voltage is above 6.4 volts.

LO on the battery indicator means the battery is low and should be replaced soon.



 Being powered by external DC or internal AC

 Being powered by battery - voltage is sufficient

 Being powered by battery - voltage is low

Troubleshooting

Problem	Probable Causes	Things to try...
Blank Display	Faulty wiring from power source to meter Backup battery has not been plugged in Dead backup battery	Check for incorrect wiring. Measure voltage with DMM where red and black wires connect to terminal block TB2 inside meter display head. Verify correct polarity and confirm that voltage is steady and between 9Vdc and 32Vdc Plug in the battery Replace battery
Flow rate reading fluctuates excessively when flow is unchanging	Excessively turbulent or unsteady flow due to partially closed valves or other flow obstructions Pipe not full Pulsing flow due to combining multiple upstream flow sources Insufficient mixing of upstream chemicals Low fluid conductivity < 20 $\mu\text{S}/\text{cm}$ Noisy electrical environment Defective or noisy AC switching power supply	Eliminate or minimize causes of flow disturbances or increase meter damping Provide back pressure or other means to ensure pipe is filled Move connection point further upstream Move chemical injection downstream from meter Replace with different type of meter Improve grounding at meter and nearby potentially noisy electrical equipment. Increase distance between meter and electrical noise sources. Replace power supply
Flow Rate appears correct but pulse/ frequency output is low, erratic or absent	Wiring incorrect External device input impedance too low Cable too long	Compare wiring with appropriate wiring recommendations Use sourcing rather than sinking interface connection Reduce interface pull-up resistance
Flow Rate appears correct but pulse/frequency output is erratic and/or too high	Electrical noise sources interfering with pulse frequency signal Wrong type of cable Grounding problem	Isolate, remove or reduce noise sources. Move meter control cable away from noise sources. Use only twisted pair cable and ensure both signal wires are on same twisted pair Improve or try different grounding method

Error Messages

Under certain conditions an error message may be displayed.

Message	Description	Notes
INIT	Initialization is occurring during power up.	
EMPTY PIPE	Fluid is not detected between the sensing electrodes.	Loop output = 22.8mA
LO in battery icon	Battery is getting low, replace soon. Meter still functions.	Above 6.4V, OK appears in icon
BATT END	Battery is very low (approx. 6.1V). Totalizer stops updating.	Loop output = 4mA
LOW VOLT	Incoming external power is very low and backup battery is dead or not connected	Loop output = 4mA
COIL FAIL	Coil current too high or too low (short or open).	Loop output = 22.8mA
COMM FAIL	Communication between transmitter and sensor board fails.	Loop output = 22.8mA
OVER RANGE	Rate exceeds number of digits that can be displayed. Adjust units.	Loop output = 4mA

The limited warranty set forth below is given by Seametrics, with respect to Seametrics and INW brand products purchased in the United States of America.

Seametrics warrants that products manufactured by Seametrics, when delivered to you in new condition in their original containers and properly installed, shall be free from defects in material and workmanship. **Seametrics products are warranted against defects for a period of two (2) years from date of installation, with proof of install date. If no proof of install date can be provided, warranty period will be two (2) years from date of shipment from Seametrics, as defined on Seametrics' invoice.**

Seametrics' obligation under this warranty shall be limited to replacing or repairing the part or parts, or, at Seametrics' option, the products, which prove defective in material or workmanship. The following are the terms of Seametrics' limited warranty:

- a. Buyer must give Seametrics prompt notice of any defect or failure and satisfactory proof thereof.
- b. Any defective part or parts must be returned to Seametrics' factory or to an authorized service center for inspection.
- c. Buyer will prepay all freight charges to return any products to Seametrics' factory, or another repair facility, as designated by Seametrics.
- d. Defective products, or parts thereof, which are returned to Seametrics and proved to be defective upon inspection, will be repaired to factory specifications.
- e. Seametrics will deliver repaired products or replacements for defective products to the buyer (ground freight prepaid) to the destination provided in the original order.
- f. Products returned to Seametrics for which Seametrics provides replacement under this warranty shall become the property of Seametrics.
- g. This limited warranty covers all defects encountered in normal use of Seametrics products, and does not apply to the following cases:
 - i. Loss of or damage to Seametrics product due to abuse, mishandling, or improper packaging by buyer
 - ii. Failure to follow operating, maintenance, or environmental instructions prescribed in Seametrics' instruction manual
 - iii. Products not used for their intended purpose
 - iv. Alterations to the product, purposeful or accidental
 - v. Electrical current fluctuations
 - vi. Corrosion due to aggressive materials not approved for your specific product
 - vii. Mishandling, or misapplication of Seametrics products
 - viii. Products or parts that are typically consumed during normal operation
 - ix. Use of parts or supplies (other than those sold by Seametrics) which cause damage to the products, or cause abnormally frequent service calls or service problems
- h. A new warranty period shall not be established for repaired or replaced material, products, or supplied. Such items shall remain under warranty only for the remainder of the warranty period on the original materials, products, or supplies.
- i. In the event that equipment is altered or repaired by the buyer without prior written approval by Seametrics, all warranties are void. Damage caused by equipment or accessories not manufactured by Seametrics may void the product's warranty.
- j. SOFTWARE: The Seller grants the user a non-exclusive license to use Seametrics' software, according to the following limitations and conditions:
 - i. The user may install the software on one or more desktop or laptop computers.
 - ii. All title and intellectual rights to the software are owned by Seametrics.
 - iii. No copies may be made or distributed except as described above.
 - iv. The user may not modify or reverse-engineer the software.

THE FOREGOING WARRANTY IS IN LIEU OF ALL OTHER WARRANTIES, WHETHER ORAL, WRITTEN, EXPRESSED, IMPLIED OR STATUTORY. NO IMPLIED WARRANTY, INCLUDING ANY IMPLIED WARRANTY OF MERCHANTABILITY OR FITNESS FOR A PARTICULAR PURPOSE, APPLIED TO THE PRODUCTS AFTER THE APPLICABLE PERIOD OF THE EXPRESS LIMITED WARRANTY STATED ABOVE, AND NO OTHER EXPRESS WARRANTY OR GUARANTY, EXCEPT AS MENTIONED ABOVE, GIVEN BY ANY PERSON OR ENTITY WITH RESPECT TO THE PRODUCTS, SHALL BIND SEAMETRICS. SEAMETRICS SHALL NOT BE LIABLE FOR LOSS OF REVENUES, OR PROFITS, OR INCONVENIENCES, EXPENSE FOR SUBSTITUTE EQUIPMENT OR SERVICE, STORAGE CHARGES, LOSS OF DATA, OR ANY OTHER SPECIAL, INCIDENTAL, OR CONSEQUENTIAL DAMAGE CAUSED BY THE USE OR MISUSE OF, OR INABILITY TO USE THE PRODUCTS, REGARDLESS OF THE LEGAL THEORY ON WHICH THE CLAIM IS BASED, AND EVEN IF SEAMETRICS HAS BEEN ADVISED OF THE POSSIBILITY OF SUCH DAMAGES. IN NO EVENT SHALL RECOVERY OF ANY KIND AGAINST SEAMETRICS BE GREATER IN AMOUNT THAN THE PURCHASE PRICE OF THE PRODUCT SOLD BY SEAMETRICS AND CAUSING THE ALLEGED DAMAGE. WITHOUT LIMITING THE FOREGOING, YOU ASSUME ALL RISK OF LIABILITY FOR LOSS, DAMAGE, OR INJURY TO YOU AND YOUR PROPERTY AND TO OTHERS AND THEIR PROPERTY ARISING OUT OF USE OR MISUSE OF, OR INABILITY TO USE THE PRODUCTS NOT CAUSED DIRECTLY BY THE NEGLIGENCE OF SEAMETRICS.

SOME STATES DO NOT ALLOW LIMITATIONS ON THE DURATION OF AN IMPLIED WARRANTY, SO THE ABOVE LIMITATIONS MAY NOT APPLY TO YOU. SIMILARLY, SOME STATES DO NOT ALLOW THE EXCLUSION OR LIMITATIONS OF CONSEQUENTIAL DAMAGE, SO THE ABOVE LIMITATION OR EXCLUSION MAY NOT APPLY TO YOU. THIS LIMITED WARRANTY GIVES YOU SPECIFIC LEGAL RIGHTS; HOWEVER, YOU MAY ALSO HAVE OTHER RIGHTS WHICH MAY VARY FROM STATE TO STATE.

