

# DigitalFlow™ GS868

Panametrics Steam Ultrasonic Mass Flowmeter  
Startup Guide





Flow



# DigitalFlow™ GS868

***Panametrics Steam Ultrasonic Mass Flowmeter***

## Startup Guide

910-190U Rev. E  
Jul 2021

[panametrics.com](http://panametrics.com)

Copyright 2021 Baker Hughes company.

This material contains one or more registered trademarks of Baker Hughes Company and its subsidiaries in one or more countries. All third-party product and company names are trademarks of their respective holders.

[no content intended for this page]

## Information Paragraphs

*Note:* These paragraphs provide information that provides a deeper understanding of the situation, but is not essential to the proper completion of the instructions.

**IMPORTANT:** These paragraphs provide information emphasizing instructions which are essential to proper setup of the equipment. Failure to follow these instructions carefully may cause unreliable performance.



**WARNING!** Indicates a potentially hazardous situation which can result in serious personal injury or death, if it is not avoided.



**CAUTION!** Indicates a potentially hazardous situation which can result in minor or moderate injury to personnel or damage to the equipment, if it is not avoided.



**HIGH VOLTAGE!** This symbol indicates the presence of high voltage. It calls your attention to situations or operations that could be dangerous to you and other persons operating the equipment. Read these messages and follow the instructions carefully.

## Safety Issues



**WARNING!** It is the responsibility of the user to make sure all local, county, state and national codes, regulations, rules and laws related to safety and safe operating conditions are met for each installation.

## Auxiliary Equipment

### Local Safety Standards

The user must make sure that he operates all auxiliary equipment in accordance with local codes, standards, regulations, or laws applicable to safety.

### Working Area



**WARNING!** Auxiliary equipment may have both manual and automatic modes of operation. As equipment can move suddenly and without warning, do not enter the work cell of this equipment during automatic operation, and do not enter the work envelope of this equipment during manual operation. If you do, serious injury can result.



**WARNING!** Make sure that power to the auxiliary equipment is turned OFF and locked out before you perform maintenance procedures on the equipment.

## Qualification of Personnel

Make sure that all personnel have manufacturer-approved training applicable to the auxiliary equipment.

## Personal Safety Equipment

Make sure that operators and maintenance personnel have all safety equipment applicable to the auxiliary equipment. Examples include safety glasses, protective headgear, safety shoes, etc.

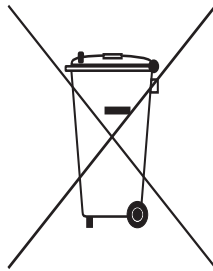
## Unauthorized Operation

Make sure that unauthorized personnel cannot gain access to the operation of the equipment.

## Environmental Compliance

### Waste Electrical and Electronic Equipment (WEEE) Directive

Panametrics is an active participant in Europe's *Waste Electrical and Electronic Equipment (WEEE)* take-back initiative, directive 2012/19/EU.



The equipment that you bought has required the extraction and use of natural resources for its production. It may contain hazardous substances that could impact health and the environment.

In order to avoid the dissemination of those substances in our environment and to diminish the pressure on the natural resources, we encourage you to use the appropriate take-back systems. Those systems will reuse or recycle most of the materials of your end life equipment in a sound way.

The crossed-out wheeled bin symbol invites you to use those systems.

If you need more information on the collection, reuse and recycling systems, please contact your local or regional waste administration.

Visit [www.bakerhughesds.com/health-safetyand-environment-hse](http://www.bakerhughesds.com/health-safetyand-environment-hse) for take-back instructions and more information about this initiative.

**Chapter 1. Installation**

1.1 Introduction .....1

    1.1.1 Unpacking .....1

1.2 Site Considerations ..... 2

    1.2.1 Electronics Console Location ..... 2

    1.2.2 Flowcell Location ..... 2

    1.2.3 Transducer Location ..... 2

    1.2.4 Cable Lengths ..... 2

    1.2.5 Temperature and Pressure Transmitters ..... 2

    1.2.6 Transducer Cables ..... 2

1.3 Installing a Flowcell ..... 2

1.4 Installing Temperature and Pressure Transmitters ..... 4

1.5 Mounting the GS868 Electronic Console ..... 5

1.6 Making the Electrical Connections ..... 5

    1.6.1 Wiring the Line Power ..... 6

    1.6.2 Wiring the Transducers ..... 7

    1.6.3 Wiring the 0/4-20 mA Analog Outputs ..... 8

    1.6.4 Wiring the Serial Port ..... 8

    1.6.5 Wiring the Foundation Fieldbus Network ..... 11

    1.6.6 Wiring an Alarms Option Card ..... 12

    1.6.7 Wiring a 0/4-20 mA Analog Inputs Option Card ..... 13

    1.6.8 Wiring a Totalizer/Frequency Outputs Option Card ..... 14

    1.6.9 Wiring an RTD Inputs Option Card ..... 15

    1.6.10 Wiring a 0/4-20 mA Analog Outputs Option Card ..... 15

**Chapter 2. Initial Setup**

2.1 Introduction .....21

2.2 Navigating Through the User Program .....21

2.3 Accessing the User Program ..... 22

2.4 Activating a Channel ..... 23

    2.4.1 1-Channel Meter ..... 23

    2.4.2 2-Channel Meter ..... 23

    2.4.3 1 and 2-Channel Meters ..... 23

2.5 Entering System Data for a Channel .....24

    2.5.1 A 1-Channel Meter ..... 24

    2.5.2 A 2-Channel Meter ..... 25

    2.5.3 1 and 2-Channel Meters ..... 25

2.6 Entering Pipe Data .....26

    2.6.1 Transducer Number ..... 26

    2.6.2 Pipe OD ..... 26

    2.6.3 Pipe Wall ..... 27

    2.6.4 Path Length ..... 27

    2.6.5 Axial Length ..... 27

    2.6.6 Fluid Type ..... 27

    2.6.7 Reynolds Correction ..... 27

    2.6.8 Calibration Factor ..... 27

**Chapter 3. Operation**

3.1 Introduction .....31

3.2 Powering Up .....31

3.3 Using the Display ..... 32

3.4 Taking Measurements ..... 34

    3.4.1 Foundation Fieldbus Communications ..... 36

## Chapter 4. Specifications

4.1	General .....	37
4.1.1	Hardware Configuration .....	37
4.1.2	Environmental .....	37
4.1.3	Flow Accuracy .....	37
4.1.4	Range .....	37
4.1.5	Rangeability (Overall) .....	37
4.1.6	Repeatability .....	37
4.1.7	Response Time .....	37
4.2	Electrical .....	37
4.2.1	Power Supply .....	37
4.2.2	Power Usage .....	37
4.2.3	Operating Mode .....	37
4.2.4	European Compliance .....	38
4.2.5	Input/Output Specifications .....	38
4.3	Operational .....	39
4.3.1	Flow Computer (Built-in) .....	39
4.3.2	Data Logging .....	39
4.3.3	Display Functions .....	39
4.3.4	Printer Signal Output .....	39
4.4	Transducer .....	40
4.4.1	Type .....	40
4.4.2	Temperature Range .....	40
4.4.3	Pressure Ranges .....	40
4.4.4	Materials .....	40
4.4.5	Connections .....	40
4.5	Flowcell .....	41

## Appendix A. CE Mark Compliance

A.1	Introduction .....	43
A.2	Wiring .....	43
A.3	External Grounding .....	43

## Appendix B. Data Records

B.1	Option Cards Installed .....	45
B.2	Initial Setup Data .....	46

## Appendix C. Optional Enclosures

C.1	Introduction .....	49
C.2	Rack Mount Enclosure .....	49
C.3	Rack Mount Wiring .....	49
C.4	Rack Mount Front Panel .....	50

## Appendix D. Measuring P and L Dimensions

D.1	Introduction .....	55
D.2	Measuring P and L .....	55



# Chapter 1. Installation

## 1.1 Introduction

To ensure safe and reliable operation of the Model GS868 Steam Ultrasonic Mass Flowmeter, the system must be installed in accordance with the guidelines established by Panametrics's engineers. Those guidelines, which are explained in detail in this chapter, include the following specific topics:

- Unpacking the Model GS868 system
- Selecting a suitable site for the electronics console and the flowcell/transducers
- Installing a flowcell
- Installing temperature and pressure transmitters
- Installing the Electronics Console
- Wiring the Electronics Console.



**WARNING!** The Model GS868 flowmeter can measure the flow rate of many gases, some of which are potentially hazardous. In such cases, the importance of proper safety practices cannot be overemphasized. Be sure to follow all applicable local safety codes and regulations for installing electrical equipment and working with hazardous gases or flow conditions. Consult company safety personnel or local safety authorities to verify the safety of any procedure or practice.



**WARNING!** In order to meet CE Mark requirements, all wiring connections must be made in accordance with the instructions in Appendix A, ***CE Mark Compliance***.

### 1.1.1 Unpacking

Carefully remove the electronics console, the transducers, and the cables from the shipping containers. Before discarding any of the packing materials, account for all components and documentation listed on the packing slip. The discarding of an important item along with the packing materials is all too common. If anything is missing or damaged, contact the factory immediately for assistance.

## 1.2 Site Considerations

Because the relative physical locations of the flowcell and the Model GS868 electronics console are important, use the guidelines given in this section to plan the Model GS868 system installation.

### 1.2.1 Electronics Console Location

The standard Model GS868 electronics enclosure is a Type-4X weather-resistant, dust-tight, indoor/outdoor type. Typically, the electronics console is mounted in a meter shed. When choosing a mounting site, make sure that the location permits easy access to the console for programming, testing, and servicing.

**Note:** *For compliance with the European Union's Low Voltage Directive, this unit requires an external power disconnect device such as a switch or circuit breaker. The disconnect device must be marked as such, clearly visible, directly accessible, and located within 1.8 m (6 ft) of the Model GS868.*

### 1.2.2 Flowcell Location

The pipeline flowcell consists of the flowmeter transducers and any pressure and/or temperature transducers employed as part of the flowmeter system. Ideally, choose a section of pipe with unlimited access as the flowcell; for example, a long stretch of pipe that is above ground. However, if the flowcell is mounted on an underground pipe, dig a pit around the pipe to facilitate installation of the transducer mechanisms.

### 1.2.3 Transducer Location

For a given fluid and pipe, the Model GS868's accuracy depends primarily on the location and alignment of the transducers. In addition to accessibility, when planning for transducer location, adhere to the following guidelines:

1. Locate the transducers so that there are at least 20 pipe diameters of straight, undisturbed flow upstream and 10 pipe diameters of straight, undisturbed flow downstream from the measurement point. To ensure undisturbed flow, avoid: sources of turbulence in the fluid such as valves, flanges, expansions and elbows; swirl; and dips or low spots in which condensed liquid may collect.
2. Because condensate or sediment at the bottom of the pipe may cause attenuation of the ultrasonic signal, locate the transducers on the side of a horizontal pipe, where possible. If limited pipe access necessitates top-mounted transducers and the sound beam path includes a reflection, shift the transducers to at least 10° off top center. This will minimize the influence of any sediment on the reflected ultrasonic signals.

### 1.2.4 Cable Lengths

Locate the flowcell/transducers as close as possible to the electronics console. The factory supplies transducer cables up to 500 ft (153 m) in length. If longer cables are required, consult the factory for assistance.

### 1.2.5 Temperature and Pressure Transmitters

When installing temperature and/or pressure transmitters in the flowcell, locate them downstream of the flowmeter transducers. These transmitters should be positioned no closer to the flowmeter transducers than 2 pipe diameters and no further away from the flowmeter transducers than 20 pipe diameters.

### 1.2.6 Transducer Cables

When installing the transducer cables, always observe established standard practices for the installation of electrical cables. Specifically, do not route transducer cables alongside high amperage AC power lines or any other cables that could cause electrical interference. Also, protect the transducer cables and connections from the weather and corrosive atmospheres.

**Note:** *When using non-Panametrics cables to connect the flowmeter transducers to the Model GS868 electronics console, the cables must have electrical characteristics identical to the Panametrics cables. Type RG 62 a/u coaxial cable should be used, and each cable must be the same length (within ±4 in.).*

## 1.3 Installing a Flowcell

A flowcell is the section of pipe where the transducers are mounted. It can be created either by mounting the transducers on the existing pipeline or by mounting them on a spoolpiece. A spoolpiece is a separately manufactured pipe section, matched to the existing pipe, which contains ports for mounting the transducers. This approach allows the transducers to be aligned and calibrated before inserting the spoolpiece into the pipeline.

Figure 1 on page 3 shows a block diagram of a typical Model GS868 system, including optional pressure and temperature transmitters. For detailed instructions on installing the transducers and/or spoolpiece, refer to the supplied drawings and the Panametrics *Gas Transducer Installation Guide for Ultrasonic Flowmeters*.

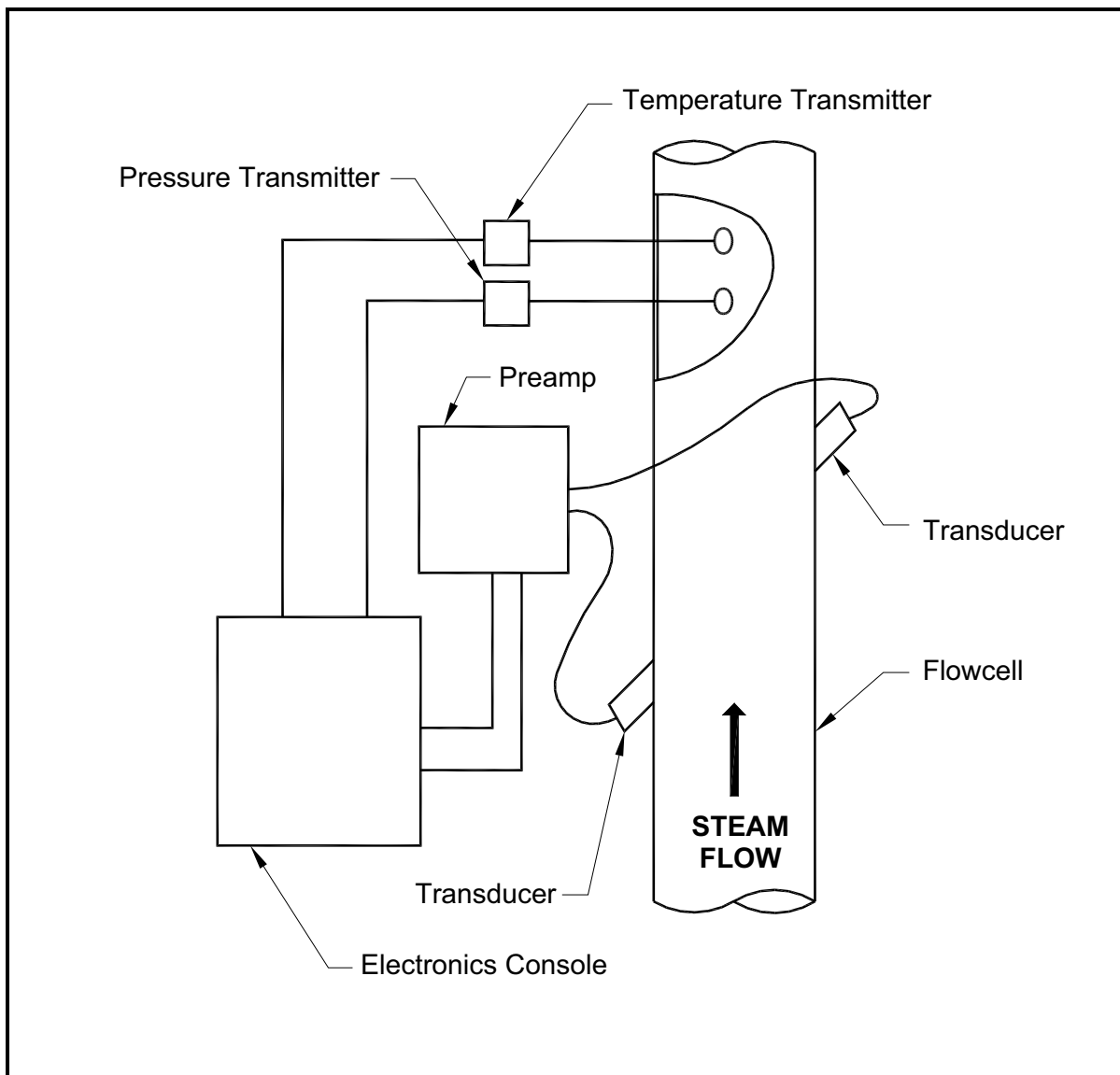


Figure 1: A Typical Model GS868 System

## 1.4 Installing Temperature and Pressure Transmitters

Optional temperature and pressure transmitters may be installed as part of the flowcell, near the ultrasonic transducer ports. Be sure to observe the siting requirements given earlier in this chapter. These transmitters must use a 0/4-20 mA signal to transmit the temperature and pressure values to the Model GS868 electronics console. In turn, the electronics console will provide a 24 VDC signal to power the transmitters. Any desired transmitters or sensors may be used, but they must have an accuracy equal to 0.5% of the reading or better.

**Note:** Resistive Thermal Devices (RTDs) are a good choice for measuring the temperature.

Typically, a 1/2" or 3/4" NPT female threaded port is used to mount the transmitters on the flowcell. If the pipeline is insulated, the coupling may need to be extended to provide convenient access. Of course, other types of mounting ports, including flanged ports, may be used for the transmitters.

**IMPORTANT:** Under changing temperature and pressure conditions, the Model GS868 can calculate accurate steam density and mass flow only if temperature and pressure transmitters have been installed.

Figure 2 below shows a typical mounting arrangement for the pressure and temperature transmitters. The temperature sensor should protrude 1/4 to 1/2 way into the pipe.

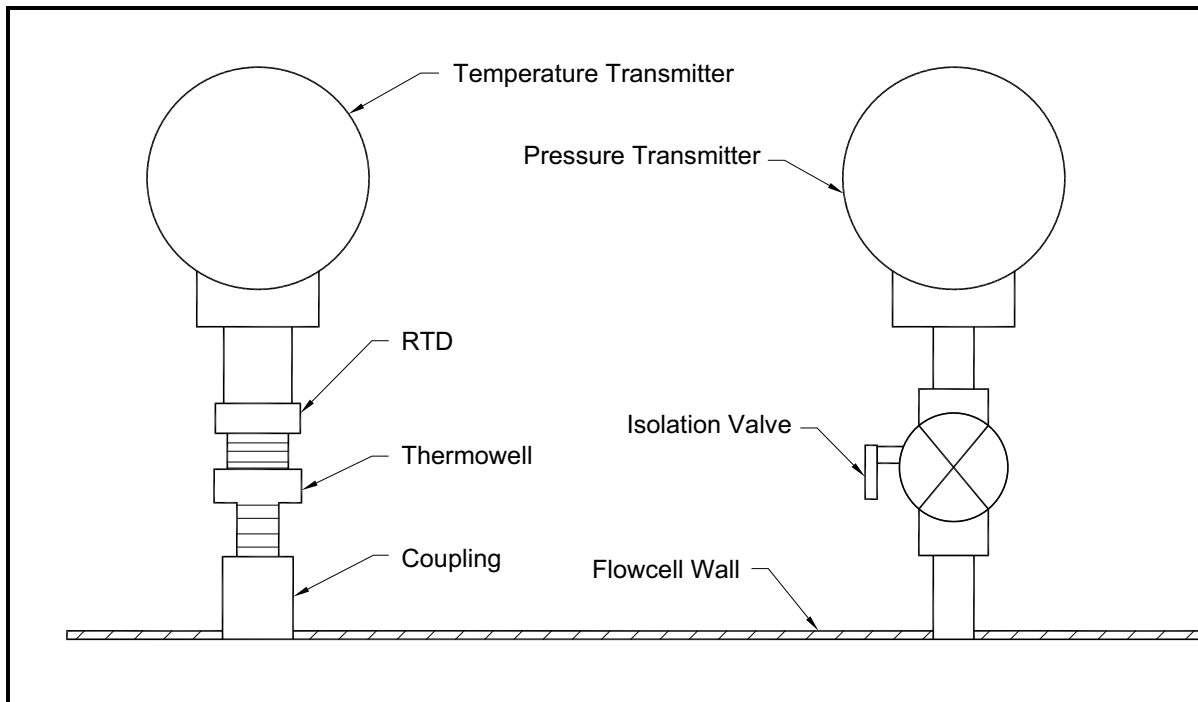


Figure 2: Typical Temperature/Pressure Transmitter Mounting

## 1.5 Mounting the GS868 Electronic Console

The standard model GS868 electronics package is housed in a Type-4X weather-resistant enclosure. Refer to Figure 9 on page 17 for the mounting dimensions of this enclosure.

**IMPORTANT:** For meters supplied in one of the optional enclosure styles, refer to Appendix C, Optional Enclosures, for specific mounting dimensions and instructions.



**WARNING!** Proper grounding of the GS868 chassis is required to prevent the possibility of electric shock. See Figure 10 on page 18 to locate the internal ground connection.

## 1.6 Making the Electrical Connections



**WARNING!** In order to meet CE Mark requirements, all wiring connections must be made in accordance with the instructions in Appendix A, **CE Mark Compliance**.

This section contains instructions for making all the necessary electrical connections to the Model GS868 flowmeter. Refer to Figure 10 on page 18 for a complete wiring diagram of the unit.

**IMPORTANT:** For meters supplied in one of the optional enclosure styles, refer to Appendix C, Optional Enclosures, for the appropriate wiring diagram and specific wiring instructions.

Except for the power connector, all electrical connectors are stored in their terminal blocks during shipment and may be removed from the enclosure for more convenient wiring. Feed the cables through the conduit holes on the bottom of the enclosure, attach the wires to the appropriate connectors and plug the connectors back into their terminal blocks.

**Note:** For compliance with the European Union's Low Voltage Directive, a transparent plastic shroud protects the electrical connections. The shroud must remain in place, except while wiring the unit. Reinstall the shroud after the wiring has been completed.

Once the Model GS868 is completely wired, proceed to Chapter 2, *Initial Setup*, to configure the unit for operation.

## 1.6.1 Wiring the Line Power



**WARNING!** In order to meet CE Mark requirements, all wiring connections must be made in accordance with the instructions in Appendix A, *CE Mark Compliance*.

The Model GS868 may be ordered for operation with power inputs of 100–120 VAC, 220–240 VAC, or 12–28 VDC. The label on the shroud inside the electronics enclosure, just above the **TBI** line power terminal block, lists the required line voltage and the fuse rating for the unit (the fuse rating is also listed in Chapter 4, *Specifications*). Be sure to connect the meter only to the specified line voltage.

**Note:** *For compliance with the European Union's Low Voltage Directive, this unit requires an external power disconnect device such as a switch or circuit breaker. The disconnect device must be marked as such, clearly visible, directly accessible, and located within 1.8 m (6 ft) of the Model GS868.*

**Note:** *Only use Class 2 Rated Power supply for line power connection to DC instrument.*

Refer to Figure 3 on page 7 or Figure 10 on page 18 to locate terminal block **TBI** and connect the line power as follows:



**WARNING!** Improper connection of the line power leads or connecting the meter to the incorrect line voltage will damage the unit. It will also result in hazardous voltages at the flowcell and associated piping and within the electronics console.

### 1.6.1 Wiring the Line Power (cont.)

1. Remove the plastic shroud that covers the terminal blocks. Be sure to reinstall the shroud after all of the wiring has been completed.
2. Strip  $\frac{1}{4}$ " of insulation from the end of the power and neutral or line leads (or the positive and negative DC power leads), and  $\frac{1}{2}$ " from the end of the ground lead.
3. Connect the ground lead to the internal ground connection located on the side panel of the enclosure (see Figure 3 below).

**IMPORTANT:** The incoming ground lead must be connected to the internal ground connection.

4. Connect the neutral or line lead (or the negative – DC power lead) to **TB1-2** and the line power lead (or the positive + DC power lead) to **TB1-3** as shown in Figure 3 below.

**IMPORTANT:** Do not remove the existing PC board ground wire or the cover ground wire.

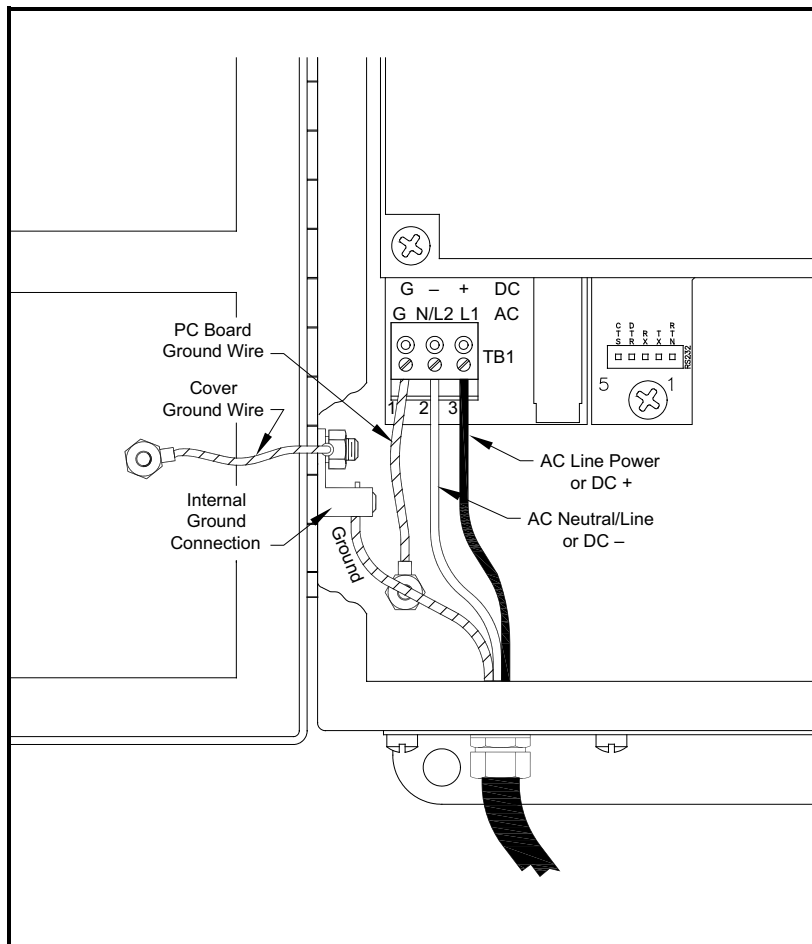


Figure 3: Wiring the Line Power

### 1.6.2 Wiring the Transducers



**WARNING!** In order to meet CE Mark requirements, all wiring connections must be made in accordance with the instructions in Appendix A, *CE Mark Compliance*.

Wiring a typical Model GS868 ultrasonic natural gas flowmeter system requires interconnection of the following components:

- a pair of transducers (per channel) mounted in the flowcell
- a preamplifier for each channel
- a lightning protector (optional)
- the electronics console

To wire the transducers, complete the following steps:



**WARNING!** Before connecting the transducers, take them to a safe area and discharge any static buildup by shorting the center conductor of the transducer cables to the metal shield on the cable connector.

1. Using the pair of coaxial cables with BNC to BNC connectors supplied by the factory (or equivalent cables), connect both transducers to the preamplifier.



**CAUTION!** As part of maintaining the FM/CSA environmental rating (TYPE 4) on the remote preamplifier, thread sealant is required on all conduit entries.

2. If an optional lightning protector is being installed, connect it to the preamplifier.
3. Using the pair of coaxial cables with BNC to flying lead connectors supplied by the factory (or equivalent cables), connect the preamplifier to terminal block **CH1** in the electronics console. Refer to Figure 10 on page 18 for the location of the terminal block and the terminal block pin assignments.
4. For a 2-channel Model GS868 flowmeter, repeat steps 1-3 to wire the Channel 2 transducer system to terminal block **CH2**.

**Note:** It is not required that Channel 2 of a 2-channel Model GS868 be used. This channel may be left inactive for future use.

After the wiring has been completed, the transducer channel(s) must be activated before measurements can begin. See Chapter 2, *Initial Setup*, for instructions.

### 1.6.3 Wiring the 0/4–20 mA Analog Outputs

The standard configuration of the Model GS868 flowmeter includes two isolated 0/4–20 mA analog outputs (designated as A and B). Connections to these outputs may be made with standard twisted-pair wiring. The current loop impedance for these circuits must not exceed 550 ohms.

Refer to Figure 10 on page 18 for the location of terminal block **I/O** and wire the terminal block as shown.

### 1.6.4 Wiring the Serial Port

The Model GS868 is equipped with a built-in serial communications port. The standard port is an RS232 interface, but an optional RS485 interface is available upon request. Proceed to the appropriate sub-section for wiring instructions. For more information on serial communications, refer to the *EIA-RS Serial Communications Manual* (916-054).

#### 1.6.4.1 Wiring the RS232 Interface

The RS232 communications port provides a serial interface for connecting the Model GS868 flowmeter to a printer, an ANSI terminal or a personal computer.

The RS232 serial interface is wired as Data Terminal Equipment (DTE), and the signals available at the Model GS868 **RS232** terminal block are shown in Table 1 below. Refer to Figure 8 on page 14 to locate terminal block **RS232** and complete the following steps to wire the terminal:



1. Use the information in Table 1 below to construct a suitable cable for connecting the Model GS868 to the external device. If desired, an appropriate cable may be purchased from Panametrics.

**Table 1: RS232 Connection to DCE or DTE Device**

RS232 Pin #	Signal Description	DCE DB25 Pin #	DTE DB25 Pin #	DTE DB9 Pin #
1	RTN (Return)	7	7	5
2	TX (Transmit)	3	2	3
3	RX (Receive)	2	3	2
4	DTR (Data Terminal Ready)	20	20	4
5	CTS (Clear to Send)	4	5	8

2. Wire the flying leads end of the cable to terminal block **RS232** and connect the other end of the cable to the printer, ANSI terminal or personal computer.

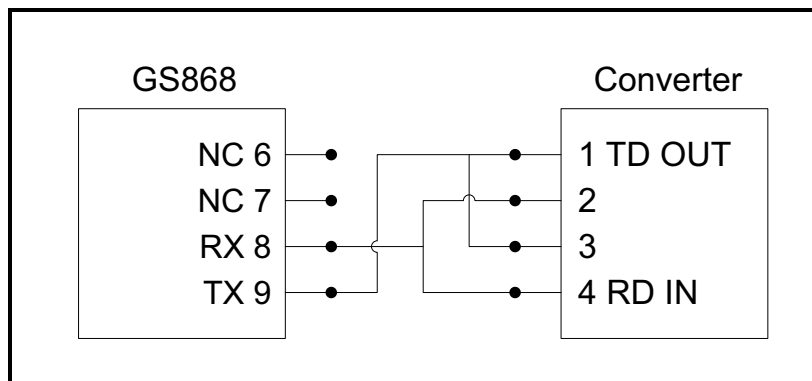
After the wiring has been completed, consult the User's Manual for the external device to configure it for use with the Model GS868.

#### 1.6.4.2 Wiring the RS485 Interface

Use the optional RS485 serial port to network multiple GS868 flowmeters to a single computer terminal. Upon request, the standard RS232 port on the GS868 may be configured as a two-wire, half-duplex RS485 interface, through a device such as the INMAC Model 800052 RS232-RS422/RS485 converter.

To wire the RS485 serial port, refer to Figure 10 on page 18 and complete the following steps:

1. Disconnect the main power to the unit and remove the cover.
2. Install the required cable clamp in the chosen conduit hole on the side of the electronics enclosure.
3. Feed one end of the cable through the conduit hole, wire it to terminal block J1 and secure the cable clamp. Connect the other end of the cable to the converter, as shown in Figure 4 below.



**Figure 4: Typical RS485 Connections**



**WARNING!** In order to meet CE Mark requirements, all wiring connections must be made in accordance with the instructions in Appendix A, **CE Mark Compliance**.

4. If wiring of the unit has been completed, reinstall the rear cover on the enclosure and tighten the set screw.

#### 1.6.4.3 Wiring the Ethernet Interface

A modified GS868 can use the Ethernet interface to communicate to an internal network. An optional Ethernet card with a unique MAC (IP) address (installed only in slots 5 or 6) includes an RJ45 connector. To connect the Ethernet-enabled GS868 to the network, insert the jack of an RJ45 cable into the RJ45 connector, route the cable through the bottom of the GS868, and wire the other end of the cable to the Ethernet network according to the manufacturer's instructions. An external connection is required between the Ethernet option card and the GS868's RS232 connector, as shown in Table 2 below.

**Note:** The MAC address for a specific GS868 is included with customer documentation. For more information on setting up the MAC address, refer to Chapter 6 of the Programming Manual.

**Table 2: RS232 to Ethernet Interconnections**

GS868 Type	Terminal Block	Terminal Block
	RS232 on Main Board	TB1 on Ethernet Card
	TX	Pin 1
	RX	Pin 2
	RTN	Pin 3
	RS232 on Main Board	TB2 on Ethernet Card
	TX	Pin 1
	RX	Pin 2
	RTN	Pin 3

#### 1.6.4.4 Wiring the MODBUS/TCP Interface

Customers can also use a modified GS868 that provides a MODBUS/TCP interface to communicate to an internal network. An optional MODBUS/TCP card with a unique MAC (IP) address (installed only in slots 5 or 6) includes an RJ45 connector. To connect the MODBUS/TCP-enabled GS868 to the network, insert the jack of an RJ45 cable into the RJ45 connector, route the cable through the bottom of the GS868, and wire the other end of the cable to the Ethernet network according to the manufacturer's instructions.

**Note:** The MAC address for a specific GS868 is included with customer documentation. For more information on setting up the MAC address, refer to Chapter 6 of the Programming Manual.

### 1.6.5 Wiring the Foundation Fieldbus Network

Fieldbus network connections are made at J8/J9, pins 1 and 2 (see Figure 5 below). Optionally, a shield can be connected to J8/J9 pin 3, depending on the network wiring. Connector J8 or J9 will be installed depending on the option ordered by the customer.

No connections are made to J8/J9, pins 7 and 9, under normal operation. If it is desired to reset the network board to factory defaults:

1. Connect a jumper between J8/J9 pin 7 and pin 9.
2. Power cycle the instrument.
3. Ten seconds after the power has been restored to the unit, remove the jumper to return the network board to normal operation.

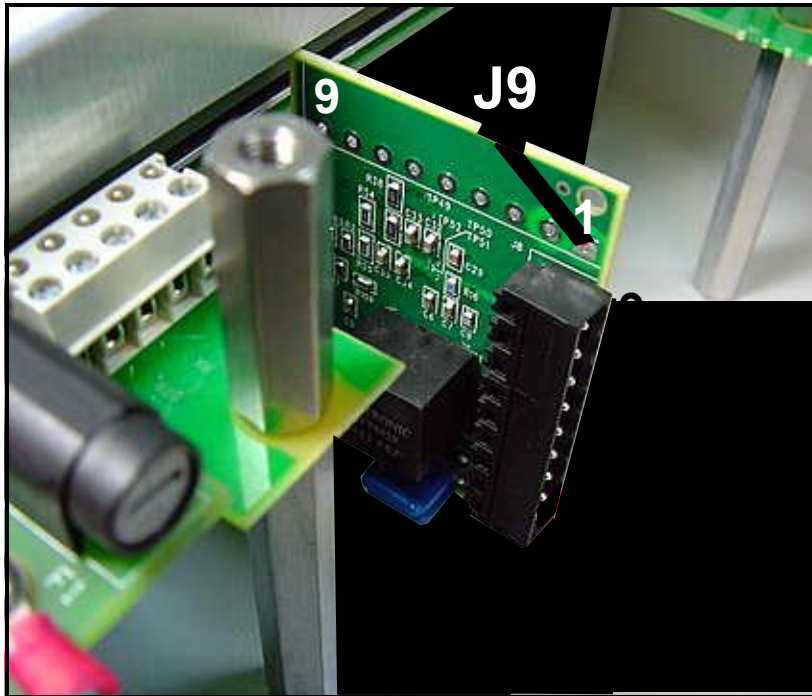


Figure 5: Network Connections - Standard Option Interior

### 1.6.6 Wiring an Alarms Option Card

The Model GS868 flowmeter can accommodate up to 4 alarms option cards. Each alarms option card includes three *Form C relays* (designated as A, B and C).

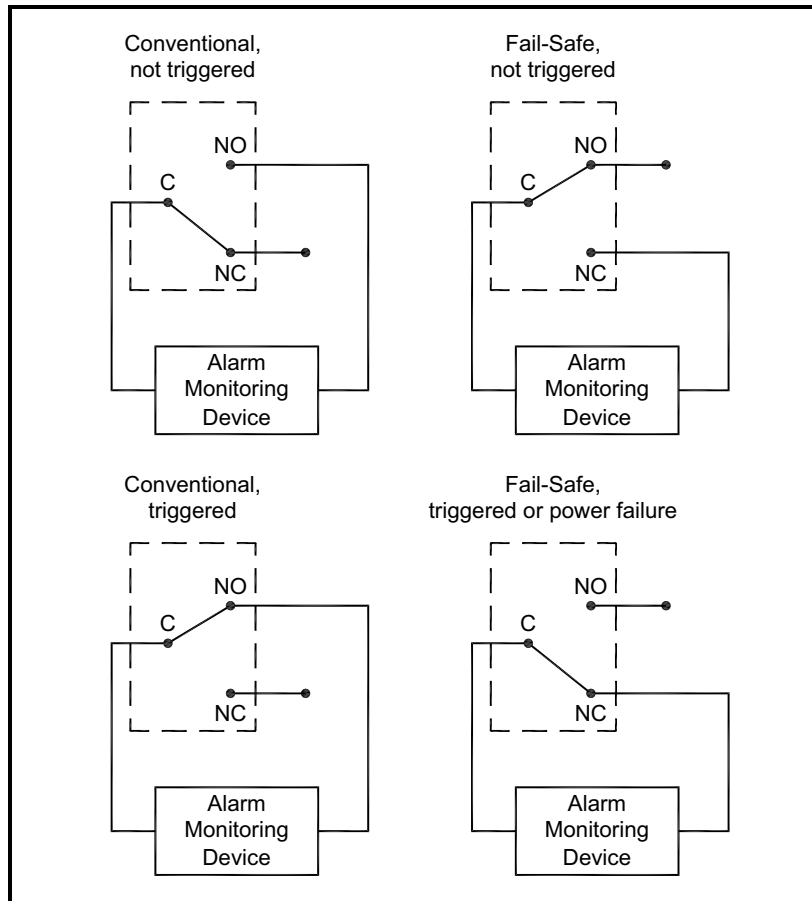
The alarm relays on the option card are available in two types:

- general purpose
- hermetically sealed for Class I, Division 2 hazardous areas.

The maximum electrical ratings for the relays are listed in Chapter 4, *Specifications*. Each of the three alarm relays can be wired either as *Normally Open (NO)* or *Normally Closed (NC)*.

In setting up an alarm relay, it may be wired for either *conventional* or *fail-safe* operation. In fail-safe mode, the alarm relay is constantly energized, except when it is triggered or a power failure or other interruption occurs. See Figure 6 below for the operation of a NO alarm relay in both conventional and fail-safe mode.

Connect the two wires required for each alarm relay in accordance with the pin number assignments shown in Figure 10 on page 18.



**Figure 6: Conventional and Fail-Safe Operation**

### 1.6.7 Wiring a 0/4-20 mA Analog Inputs Option Card

To calculate the standard mass flow rates of the steam, the Model GS868 requires accurate *temperature* and *pressure data* from the measurement site. Transmitters installed in the flowcell can provide this information via an optional 0/4-20 mA analog inputs card. This option card includes two isolated 0/4-20 mA analog inputs (designated as A and B), each of which includes a 24 VDC power supply for loop-powered transmitters. Either input may be used to process the temperature signal, while the other input is used to process the pressure signal.

**Note:** To enter programming data during operation of the meter, it will be necessary to know which input is assigned to which process parameter. This information should have been entered in Appendix B, Data Records.

The analog inputs, which have an impedance of 118 ohms, should be connected with standard twisted-pair wiring. Power to the transmitters may be supplied either by the integral 24 VDC power supply on the analog input card or by an external power supply. Figure 7 below shows typical wiring diagrams, with and without an external power supply, for one of the analog inputs.

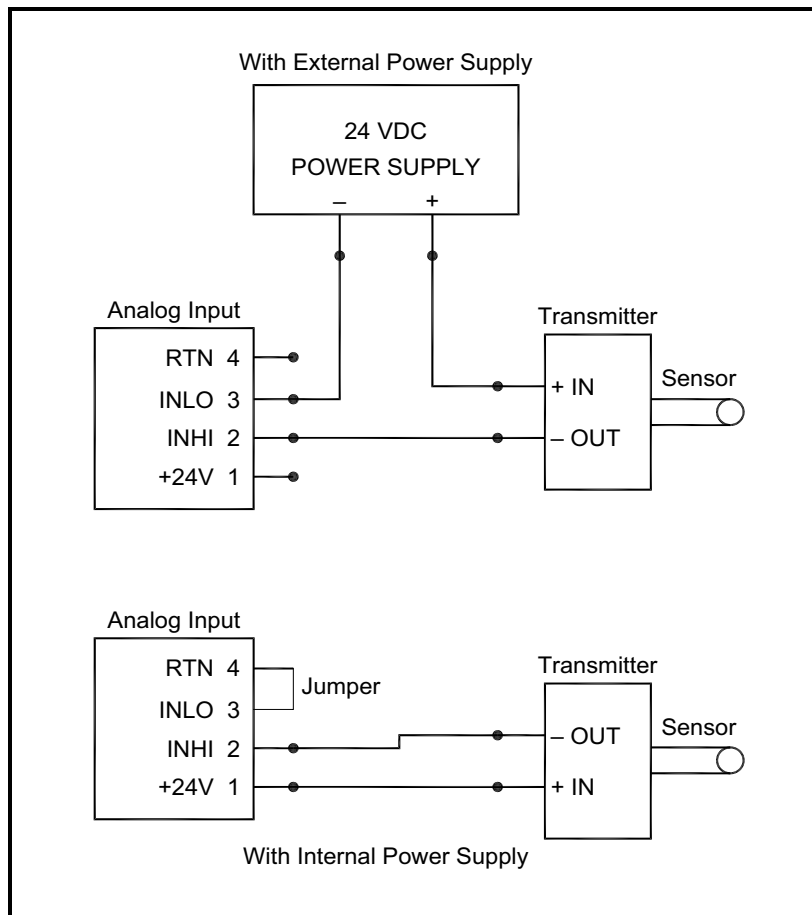


Figure 7: Analog Input Wiring Diagram

### 1.6.7 Wiring a 0/4-20 mA Analog Inputs Option Card (cont.)

Wire the analog input terminal block in accordance with the pin number assignments shown in Figure 10 on page 18. The standard Model GS868 has at least one analog inputs option card, which is used to supply the live pressure reading required for accurate mass flow calculations. These option cards are identical to the temperature/pressure card described above and they should be wired in the same manner (see Figure 6 on page 12).

**Note:** *The analog inputs option card can be calibrated with the Model GS868's built-in analog outputs. However, be certain that the analog outputs have been calibrated first. See Chapter 1, Calibration, in the Service Manual for the appropriate procedures.*

### 1.6.8 Wiring a Totalizer/Frequency Outputs Option Card

The Model GS868 can accommodate up to four totalizer/frequency outputs option cards. Each totalizer/frequency outputs option card provides four outputs (designated as A, B, C, and D) that can be used as either totalizer or frequency outputs.

Each totalizer/frequency output requires two wires. Wire this terminal block in accordance with the pin number assignments shown in Figure 10 on page 18. Figure 8 below shows sample wiring diagrams of a totalizer output circuit and a frequency output circuit.

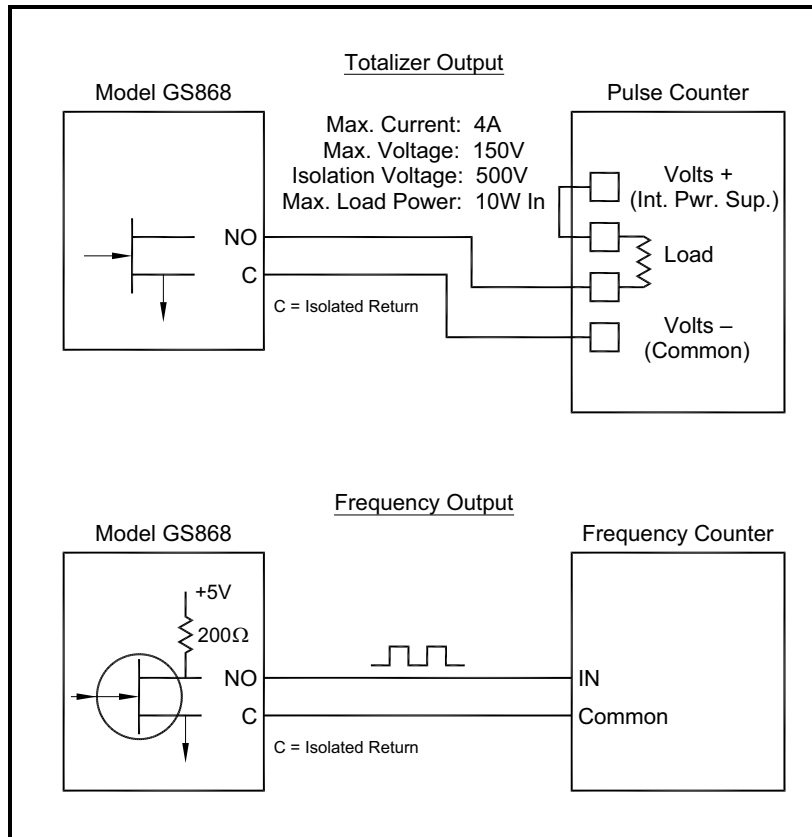


Figure 8: Totalizer/Frequency Outputs Wiring

### 1.6.9 Wiring an RTD Inputs Option Card

The Model GS868 can accommodate up to four RTD (Resistance Temperature Device) inputs option cards. Each RTD inputs option card provides two direct RTD inputs (designated as A and B).

The standard Model GS868 has at least one RTD inputs option card, which is used to supply the live temperature reading required for accurate mass flow calculations. Each RTD input requires three wires, which should be fed through one of the conduit holes on the bottom of the electronic console. Wire this terminal block in accordance with the pin number assignments shown in Figure 10 on page 18.

### 1.6.10 Wiring a 0/4-20 mA Analog Outputs Option Card

The Model GS868 flowmeter can accommodate up to 4 analog outputs option cards. Each analog outputs option card includes four isolated 0/4-20 mA outputs (designated as A, B, C and D).

Connections to these outputs may be made with standard twisted-pair wiring. The total current loop impedance for these circuits must not exceed 1000 ohms. Wire this terminal block in accordance with the pin number assignments shown in Figure 10 on page 18.





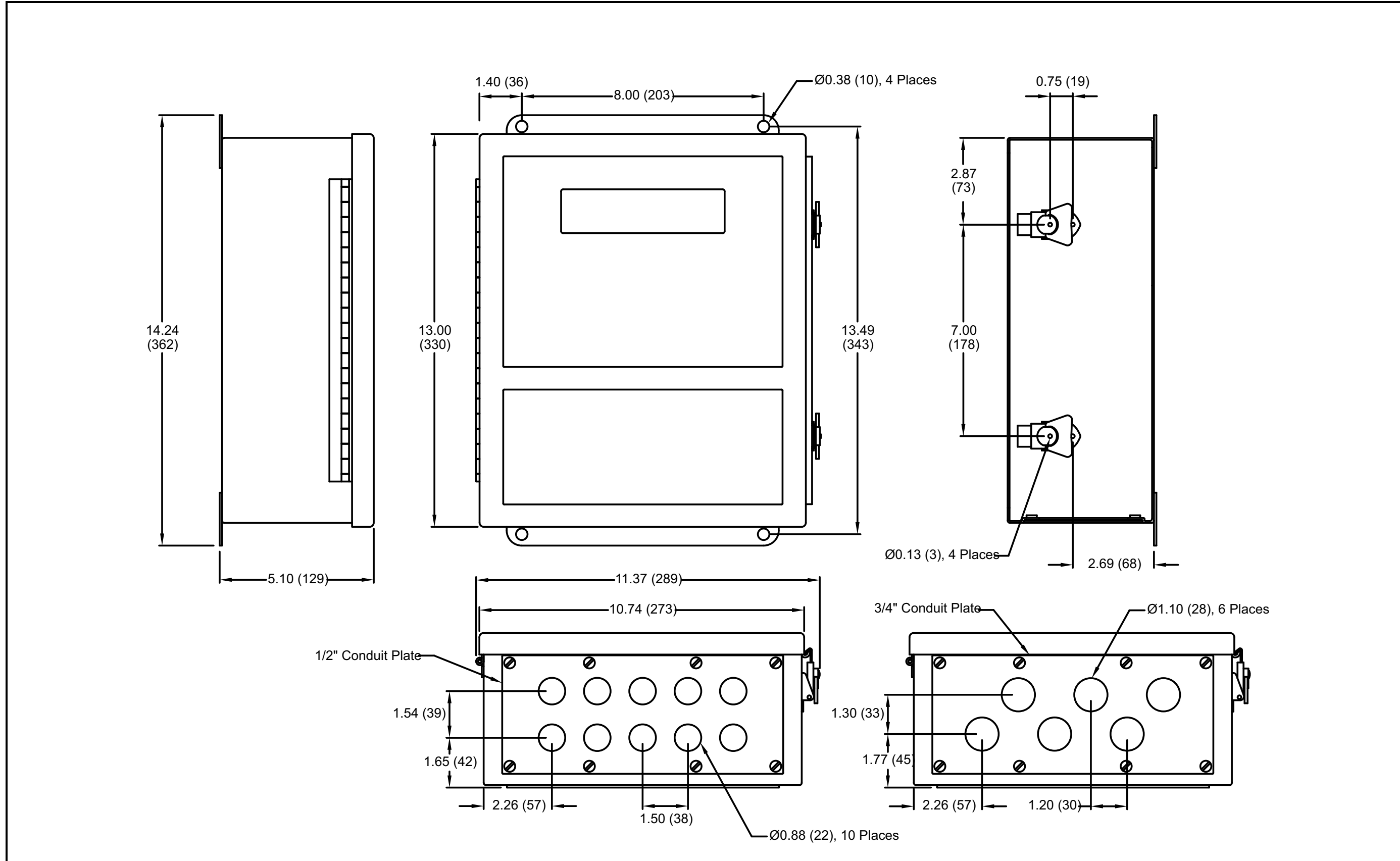


Figure 9: Model GS868 Type 4X Enclosure (ref. dwg #425-208)

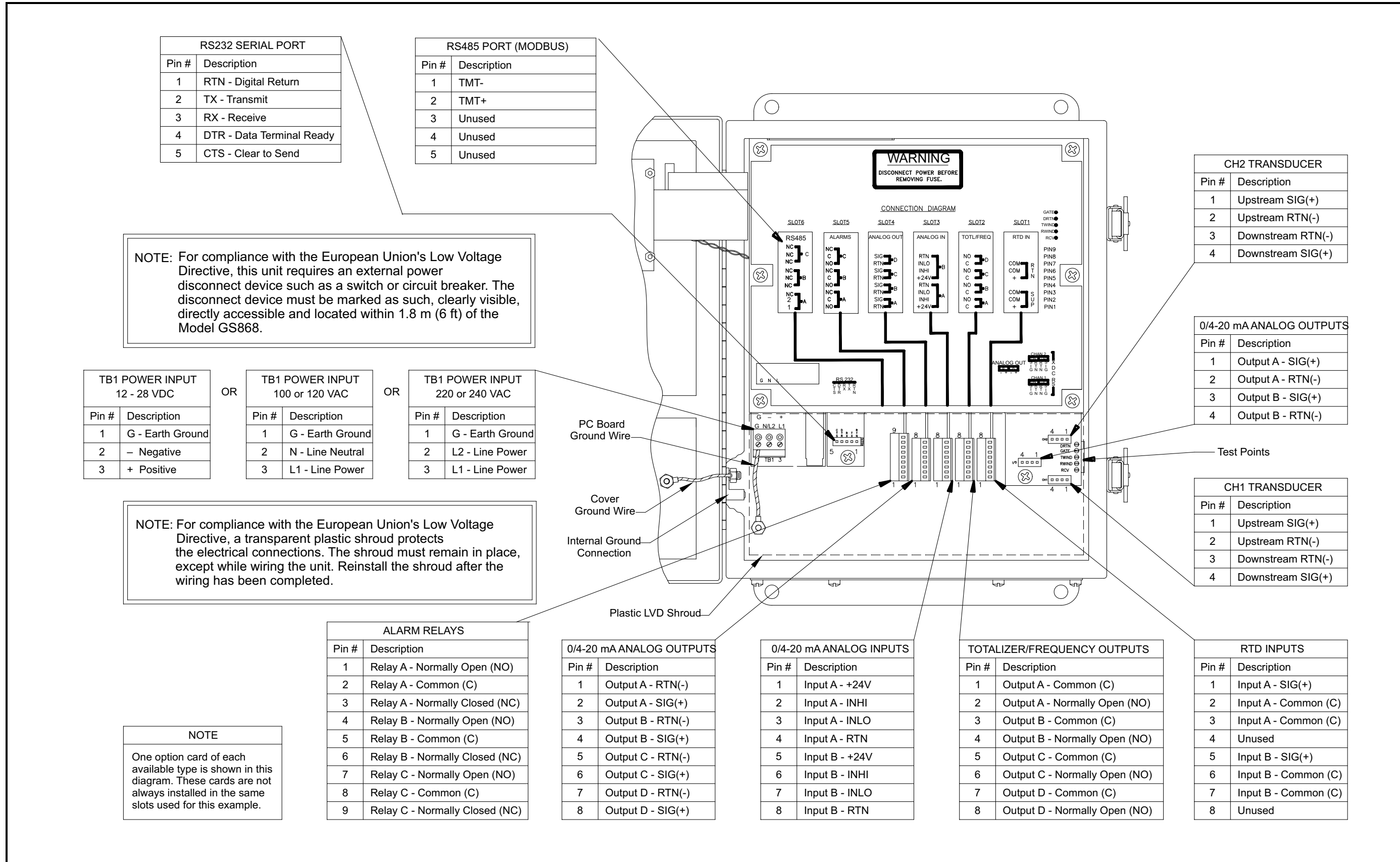
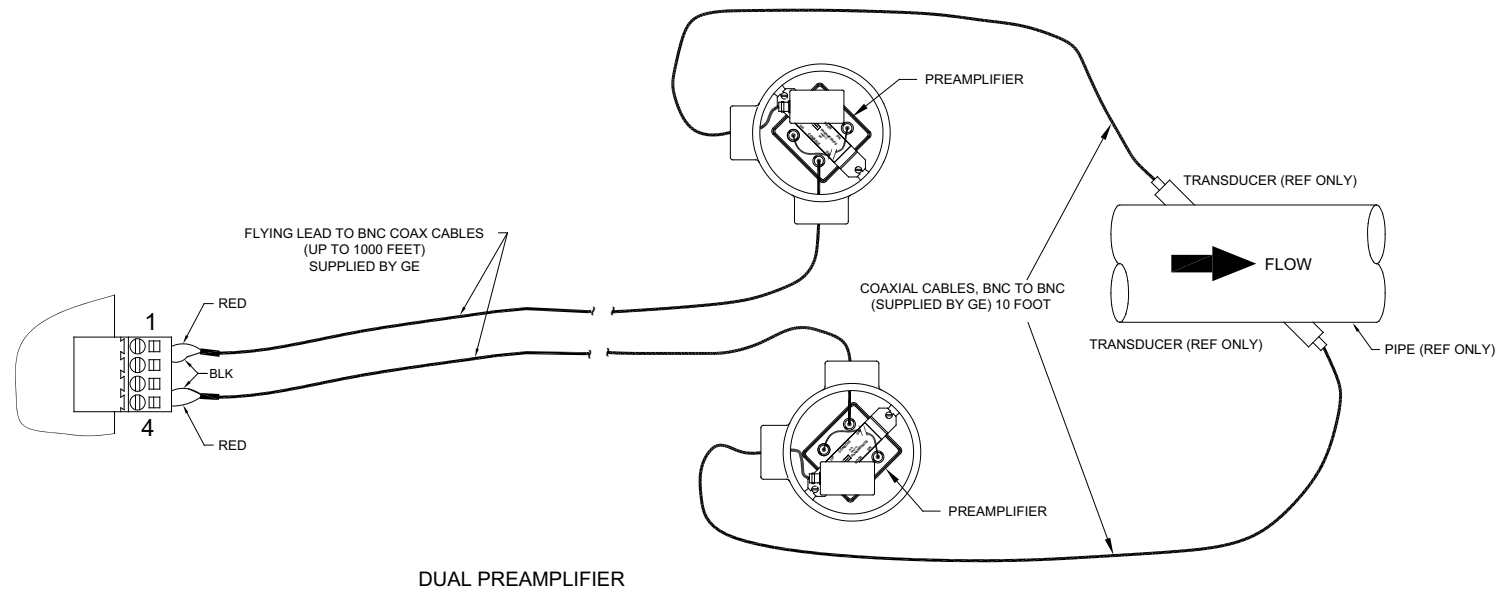


Figure 10: Model GS868 Electronics Console Wiring (ref. dwg #702-213, sht 1 of 2)



**CAUTION!**  
As part of maintaining the FM/CSA environmental rating (NEMA/TYPE 4) on the remote preamplifier, thread sealant is required on all conduit entries.

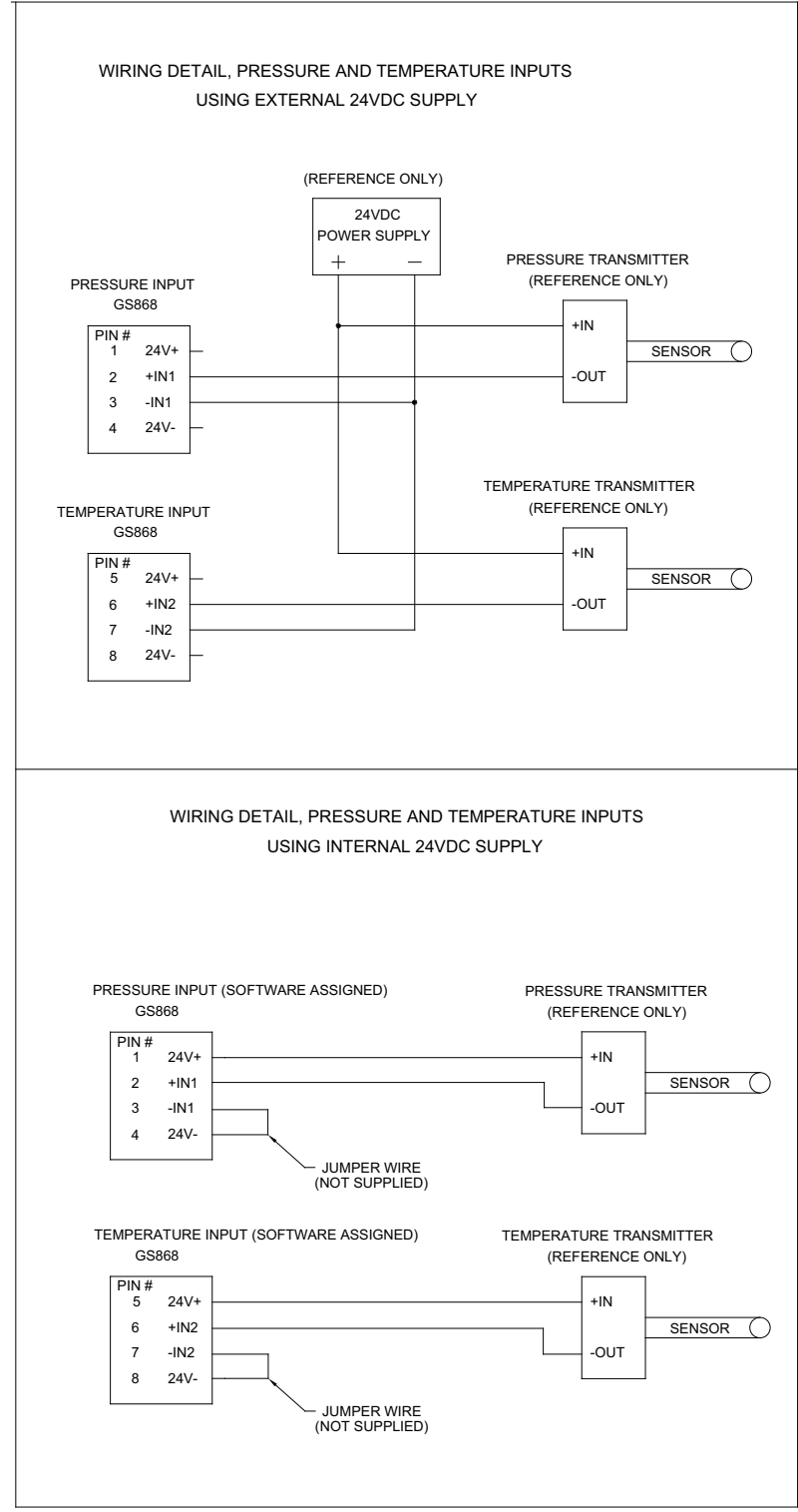
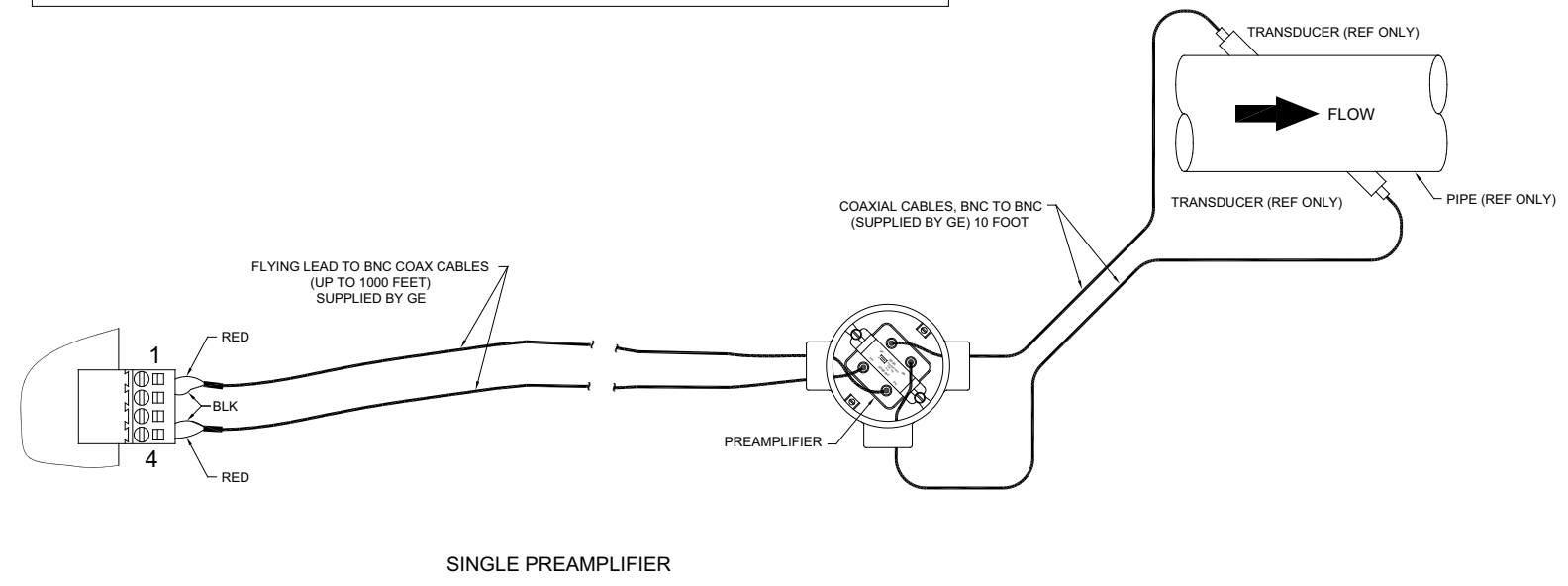


Figure 11: Model GS868 Transducer Wiring (ref. dwg #702-213, sht 2 of 2)



## Chapter 2. Initial Setup

### 2.1 Introduction

This chapter provides instructions for entering the minimum amount of programming data required to place the Model GS868 flowmeter into operation. Before the Model GS868 can begin taking measurements and displaying valid data, the current system and pipe parameters must be entered. In addition, a 2-Channel meter requires that each channel be activated prior to use. Additional programming options provide access to the more advanced features of the Model GS868, but this information is not required to begin taking measurements.

**Note:** See the Programming Manual for information on those User Program options not covered in this chapter.

### 2.2 Navigating Through the User Program

In order to begin using the Model GS868, the following submenus within the *User Program* will be accessed:

- **ACTIV** - enables selection of the desired measurement method (for a 2-Channel meter, it is also used to activate a channel)
- **SYSTM** - prompts the user to enter the required system data
- **PIPE** - prompts the user to enter the required pipe parameters

As a guide in following the programming instructions in this chapter, the relevant portions of the Model GS868 menu map have been reproduced in Figure 12 on page 29.

**Note:** There are minor differences at the start of the **ACTIV** and **SYSTM** submenus for the 1-Channel and 2-Channel models, but the **PIPE** submenus are identical.

The following discussion assumes that the left screen pane is active. If the right screen pane is active, only the function key designations change. That is, replace **[F1]–[F4]** with **[F5]–[F8]**. Be sure to record all programming data in Appendix B, *Data Records*.

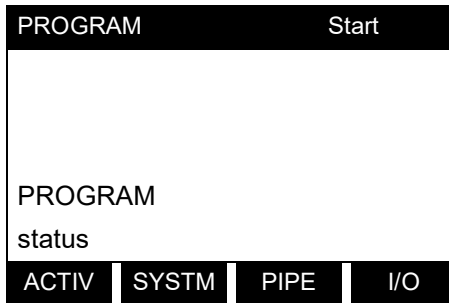
Use the keypad, as described in the *Programming Manual*, to navigate through the *User Program*. The menu map may be followed in sequence, or the **[←]** and **[→]** keys may be used to scroll through the prompt screens. The **[←]** key may be used to delete the last alphanumeric character that was entered from the keypad.

## 2.3 Accessing the User Program

To access the *User Program*, press the **[PROG]** key on the keypad.

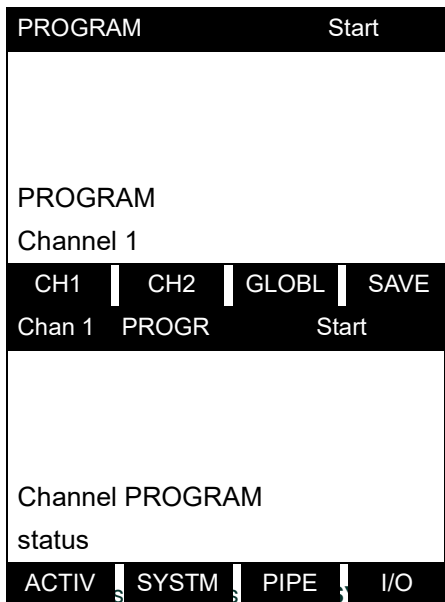
**Note:** If the security feature is active, enter the password and press the **[ENT]** key to enter the User Program. See the **SECUR** submenu section in Chapter 1, Programming Site Data, of the Programming Manual for more information.

For a 1-Channel Model GS868, the measurement mode screen is replaced by the following initial programming mode screen:



At the *User Program* screen shown, press the **[F1]** function key and proceed to “Activating a Channel” section on page 23 for instructions.

For a 2-Channel Model GS868, the following two-step sequence is required to reach the initial programming screen:



Press **[F1]** or **[F2]** to select the submenu for Channel 1 or Channel 2, respectively, from the option bar.

At the *user program* screen shown, press the **[F1]** function key and proceed to “Activating a Channel” section on page 23 for instructions.

and **PIPE** are discussed in this manual. Refer to the *Programming Manual* for information on the other submenus.

**Note:** In this manual, only the programming of Channel 1 will be described. To program Channel 2, simply repeat the same procedures presented for Channel 1.

## 2.4 Activating a Channel

The **ACTIV** submenu permits selection of the desired measurement method. In addition, it is used to activate/deactivate one or both of the channels in a 2-Channel Model GS868.

### 2.4.1 1-Channel Meter

1. Enter the **ACTIV** submenu by pressing **[F1]** at the **User PROGRAM** prompt.
2. Press **[F1]** to activate the channel in **BURST** mode.

### 2.4.2 2-Channel Meter

1. Enter the **ACTIV** submenu by pressing **[F1]** at the **Channel PROGRAM** prompt.
2. Press **[F1]** (OFF) to deactivate the channel and return to the **Channel PROGRAM** prompt, or press **[F2]** to activate the channel in **BURST** mode.

### 2.4.3 1 and 2-Channel Meters

3. Press **[F1]** to select *Skán* mode or **[F2]** to select *Skán/Measure* mode. The meter will exit the **ACTIV** submenu and return to the channel menu screen.

As indicated in the above prompt, the Model GS868 flowmeter can take measurements in two different ways

**Skán** is a low resolution technique for locating the acoustic signal and for high velocity measurements. It is more robust in a noisy environment than the Measure technique.

**Measure** is a more precise technique best used for low velocity measurements.

If *Skán* is selected at the next prompt, the instrument uses this technique exclusively. However, if *S/M* is selected, the meter uses *Skán* to find the acoustic signal and then tries to use the *Measure* technique for a more precise measurement.

Proceed directly to the next section to program the **SYSTEM** submenu.

## 2.5 Entering System Data for a Channel

Begin the programming of the **SYSTM** submenu in either the *1-Channel* or *2-Channel* section below.

### 2.5.1 A 1-Channel Meter

For the 1-Channel Model GS868, the information entered in the **SYSTM** submenu pertains to the global operation of the flowmeter.

1. At the *User Program* screen, press the **[F2]** function key to program the **SYSTM** submenu.
2. Enter a *Site Label* of up to 9 characters and press **[ENT]**. (While taking measurements, the site label will appear on the locator bar.)
3. Enter a *Site Message* of up to 21 characters. Press **[ENT]**.
4. To select the *System Units*, press **[F1]** to display parameters and measurements in English units, or press **[F2]** to display parameters and measurements in Metric units.
5. Use the **[F1]**–**[F4]** keys to select the type of *Pressure Units* desired.

The abbreviations and definitions of all the available pressure units are shown in Table 3 below. The choices shown on the option bar are determined by the selections made at the previous **SYSTEM UNITS prompt**.

**Table 3: Available Pressure Units**

English	Metric
PSIa = Pounds per square inch absolute	BARa = bar absolute
PSIg = Pounds per square inch gage	BARg = bar gage
	kPaa = kiloPascals absolute
	kPag = kiloPascals gage

- a. If you have entered gage pressure, or the local atmospheric pressure (PSIg, BARg or kPag), use the numeric keys to enter the gage pressure value. Press **[ENT]**.
6. At the *Stopwatch Totalizer* prompt, press **[F1]** to **totalize all liquid flow continuously**, or **[F2]** to measure totals manually with the Stopwatch Timer. (With **MNUAL** (**[F2]**), the console key on the keypad is used to start and stop the totalizer. See the *Programming Manual* for details.)

The remainder of the **SYSTM** submenu is identical for the 1-Channel and 2-Channel versions of the Model GS868. Proceed to the *1- and 2-Channel Meters* section to complete the programming of this submenu.



## 2.5.2 A 2-Channel Meter

For the 2-Channel Model GS868, the information entered in the **SYSTM** submenu pertains only to the currently selected channel.

1. At the *User Program* screen shown, press the **[F2]** function key to program the **SYSTM** submenu.
2. Enter a *Channel Label* of up to 9 characters. Press **[ENT]**.
3. Enter a *Channel Message* of up to 21 characters. Press **[ENT]**.

**Note:** For the 2-Channel Model GS868, the **System Units, Pressure Units and Stopwatch Totalizer** prompts, which are not required to make the unit operational, are located in the **GLOBL** submenu. See the Programming Manual for details.

The remainder of the **SYSTM** submenu is identical for the 1-Channel and 2-Channel versions of the Model GS868. Proceed to the *1- and 2-Channel Meters* section below to complete the programming of this submenu.

## 2.5.3 1 and 2-Channel Meters

1. At the *Equation* prompt, press **[F1]** to display the measurement data in *standard* volumetric units, or press **[F2]** to display the measurement data in *actual* volumetric units. The GS868 uses the appropriate gas equation to calculate the flow rate in the volumetric units indicated.
2. Use the **[F1]-[F4]** and **[→]** keys to select the desired *Volumetric Units* for the flow rate display.

The abbreviations and definitions of all the available volumetric and totalizer units are shown in Table 4 below. The choices shown on the option bar are determined by the selection made at the previous **SYSTEM UNITS** screen.

**Table 4: Available Volumetric/Totalizer Units**

English	Metric
<b>Actual Units</b>	
ACF = Actual Cubic Feet	ACM = Actual Cubic Meters
KACF = Thousands of ACF	KACM = Thousands of ACM
MMACF = Millions of ACF	MMACM = Millions of ACM
<b>Standard Units</b>	
SCF = Standard Cubic Feet	SCM = Standard Cubic Meters
KSCF = Thousands of SCF	KSCM = Thousands of SCM
MMSCF = Millions of SCF	MMSCM = Millions of SCM

3. Use the **[F1]-[F4]** keys to select the *Volumetric Time* (units for the volumetric flow rate display).
4. Use the **[F1]-[F4]** keys to select the *Vol Decimal Digits* (the desired number of digits to the right of the decimal point) in the volumetric flow rate display.
5. Use the **[F1]-[F4]** and **[?]** keys to select the *Totalizer Units*.

The abbreviations and definitions of all the available volumetric and totalizer units are shown in Table 4 on page 25. The choices shown on the option bar in the prompt screen above are determined by the selection made at the previous **SYSTEM UNITS** prompt screen.

### 2.5.3 1- and 2-Channel Meters (cont.)

6. Use the [F1]-[F4] keys to select the *Total Decimal Digits* (the desired number of digits to the right of the decimal point) in the totalized flow display.
7. If the **Static Density?** prompt in the **ADVAN** submenu (**SETUP** menu) is set to **NO**, the GS868 returns to the initial *User Program* screen. Otherwise, proceed as follows:
  - a. Use the [F1]-[F4] keys to select the *Mass Flow* units, listed in Table 5 below.

**Table 5: Available Mass Flow Units**

English Mass Flow Units	Metric Mass Flow Units
LB- Pounds	KG - Kilograms
KLB - Thousands of Pounds	
MMLB - Millions of Pounds	
TONS - Tons	Tonnes - Metric Tons

- b. Use the [F1]-[F4] keys to select the *Mass Flow Time* units.
- c. Use the [F1]-[F4] keys to select the *MDOT DECIMAL DIGITS* (the number of digits to the right of the decimal point) for displaying mass flow.
- d. Use the [F1]-[F4] keys to select the *Mass (Totalizer)* units, listed in Table 5 above.
- e. Use the [F1]-[F4] to specify the **Mass Decimal Digits** (the number of digits to the right of the decimal point) for displaying totalized mass flow. The meter returns to the initial *User (or Channel) Program* screen.

## 2.6 Entering Pipe Data

The **PIPE** submenu permits entry of the transducer and pipe specifications. To program this menu, complete the following steps:

1. At the *User (or Channel) Program* screen, press [F3] to program the **PIPE** submenu.

### 2.6.1 Transducer Number

2. Enter the *Transducer Number* (normally engraved on the head of the transducer). Press [ENT]. If there is no engraved number, complete the steps below. Otherwise, proceed to step 3.

**IMPORTANT:** Special transducers, which have no engraved number on the head, are rarely used. Examine the transducer head carefully for a number.

- a. Assign a number between 91 and 99 to the *Special Transducer* and press [ENT]. (The meter will only accept values from 1 to 199.)
- b. Use the [→] and [F1]-[F4] keys to select the **Frequency of the special transducer**. The meter can not transmit an excitation voltage at the transducer's natural frequency without this data.
- c. Enter the special transducer *Time Delay (Tw)* value supplied by the factory. Press [ENT]. (The meter will only accept values from 0 to 1000 μsec.)

**Note:** *Tw* is the time required for the transducer signal to travel through the transducer and its cable. This time delay must be subtracted from the transit times of the upstream and downstream transducers to ensure an accurate measurement.

### 2.6.2 Pipe OD

3. Enter the known *Pipe OD* or circumference and use the [F1]-[F4] keys to select the appropriate units. Press [ENT]. (The meter will only accept values from 1/8 to 648 in.) The option bar choices may appear in English or Metric units.

Obtain the required information by measuring either the pipe outside diameter (OD) or circumference at the transducer installation site. The data may also be obtained from standard pipe size tables. Table 6 below lists the available English and metric OD units.

Table 6: Available Pipe OD Units

English	Metric
inch = pipe OD in inches	mm = pipe OD in millimeters
feet = pipe OD in feet	m = pipe OD in meters
in/PI = pipe circumference in inches	mm/PI = pipe circumference in millimeters
ft/PI = pipe circumference in feet	m/PI = pipe circumference in meters

### 2.6.3 Pipe Wall

4. Use the numeric keys to enter the known thickness of the *Pipe Wall*. Press **[ENT]**.

If the pipe wall thickness is not available, look up the value in a table of standard pipe size data or use the Model GS868's on-line *Help Menu* (see the *Programming Manual* for details).

### 2.6.4 Path Length

5. Press **[F1]** = inch or **[F2]** = **feet** to select the units. Then, enter the *Path Length (P)* of the ultrasonic signal. Press **[ENT]**. (The meter will only accept values from 1/8 to 900 in.)

**Note:** *The factory has calculated both the transducer signal path length (P) and the transducer signal axial length (L), based on the exact transducer configuration used for the application. These values are engraved on the flowcell and/or are included in the documentation supplied with the meter.*

### 2.6.5 Axial Length

6. Press **[F1]** = inch or **[F2]** = **feet** to select the units. Then, enter the *Axial Length (L)* of the ultrasonic signal and press **[ENT]**.

**Note:** *The factory has calculated both the transducer signal path length (P) and the transducer signal axial length (L), based on the exact transducer configuration used for the application. These values are engraved on the flowcell and/or are included in the documentation supplied with the meter.*

### 2.6.6 Fluid Type

7. Press **[F1]** = steam or **[F2]** = any other gas to select the *Fluid Type*.
- a. If **OTHER** was selected, enter the speed of sound (in feet per second) in the gas to be measured. Press **[ENT]**. (The meter will only accept values from 125 to 9000 ft/sec.)

### 2.6.7 Reynolds Correction

8. The *Reynolds Correction* factor is a number based on the kinematic viscosity and flow rate of the gas. At the prompt, press **[F1]** to turn **Reynolds Correction off**, or **[F2]** to turn it on.
- a. If you select Reynolds Correction, the GS868 asks for the *Kinematic Viscosity* of the gas (available in the brochure *Sound Speeds and Pipe Size Data*, 914-004). Use the numeric keys to enter the desired value and press **[ENT]**.

### 2.6.8 Calibration Factor

9. Enter a value for the flow *Calibration Factor* and press **[ENT]**. The default value is 1.00. (The meter will only accept values from 0.5000 to 2.0000.) The meter will exit the **PIPE** submenu and return to the initial *User (or Channel) Program* screen.

## **Procedure Options**

After completing the above steps, the meter returns to the **User (or Channel) PROGRAM** prompt. Continue as follows:

- To continue programming the meter, refer to the menu maps in Appendix A of the *Programming Manual* and navigate to the desired menu. Then, proceed to the appropriate section of the manual for instructions.
- To leave the *User Program* and retain the previous settings, press **[EXIT]** once (for a 1-channel GS868) or twice (for a 2-channel GS868) and then press **[F1] = NO** at the *SAVE* prompt. Any programming changes will be discarded and you will be returned to the data display.
- To leave the *User Program* and return to measurement mode, press **[EXIT]** once (for a 1-channel GS868) or twice (for a 2-channel GS868) and then press **[F2] = YES** at the *SAVE* prompt. Your programming changes will be entered into the meter's memory, and you will be returned to the data display.

**Note:** See the *Programming Manual* for instructions on using the **SAVE** submenu.

Proceed to Chapter 3, *Operation*, for instructions on taking measurements or refer to the *Programming Manual* for instructions on programming the Model GS868's advanced features.

NOTE: Plain text represents prompt area messages and boxed text represents option bar choices. Fx represent function keys to select option bar choices.

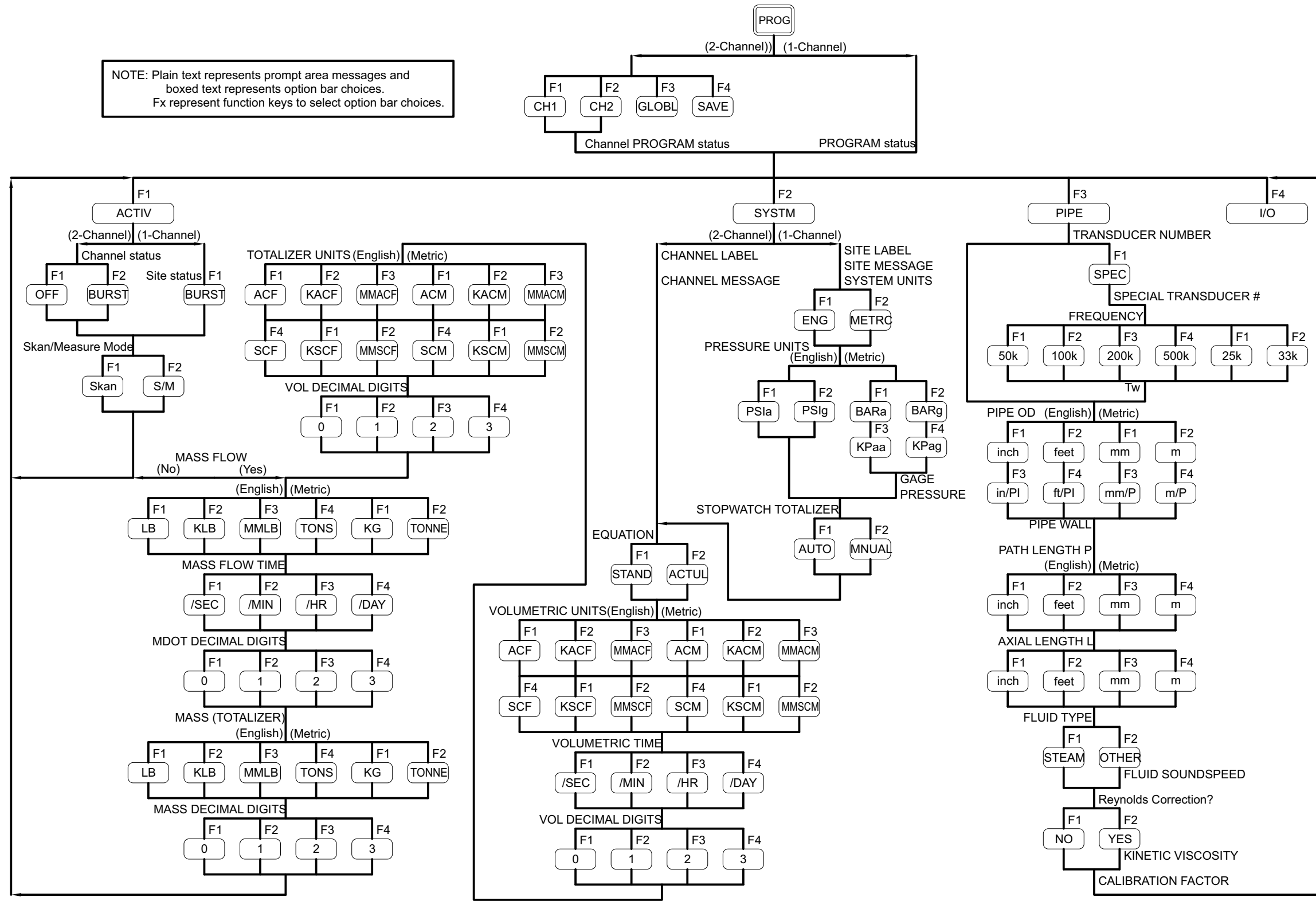


Figure 12: Model GS868 Initial Setup Menu Map



## Chapter 3. Operation

### 3.1 Introduction

See Chapter 1, *Installation*, and Chapter 2, *Initial Setup*, to prepare the system for operation. When the meter is ready to take measurements, proceed with this chapter. The following specific topics are discussed:

- Powering Up
- Using the Display
- Taking Measurements

**Note:** *All inputs and outputs of the Model GS868 are calibrated at the factory, prior to shipment. If it becomes necessary to recalibrate any of the inputs and/or outputs, see Chapter 1, Calibration, of the Service Manual.*



**WARNING!** To ensure the safe operation of the Model GS868, it must be installed and operated as described in this manual. In addition, be sure to follow all applicable local safety codes and regulations for the installation of electrical equipment.

### 3.2 Powering Up

Because the Model GS868 does not have an ON/OFF switch, it will power up as soon as the connected power source is energized.

**Note:** *For compliance with the European Union's Low Voltage Directive, this unit requires an external power disconnect device such as a switch or circuit breaker. The disconnect device must be marked as such, clearly visible, directly accessible, and located within 1.8 m (6 ft) of the Model GS868.*

Immediately upon power up, the Model GS868 displays the Panametrics logo and the software version in the left pane of the display window. The Model GS868 performs a series of internal checks and display the results in the right pane of the display window.

**Note:** *If the Model GS868 fails any of the internal checks, try disconnecting the power and then re-powering the unit. If the Model GS868 continues to fail any of the internal checks, contact the factory for assistance.*

After successfully performing the internal checks, the Model GS868 begins taking measurements. The power up display is replaced by a measurement mode display similar to that shown in Figure 13 below.

**Note:** *As a minimum, the system and pipe parameters (for each installed channel of a 2-channel meter) must be entered before the Model GS868 can display valid data. Refer to Chapter 2, Initial Setup, for specific instructions.*

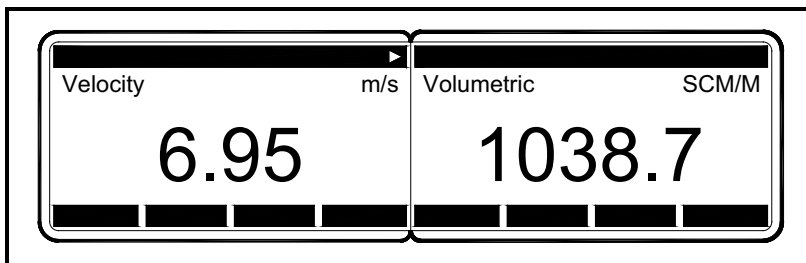


Figure 13: A Typical Measurement Display

Proceed to the next section for a description of the components of the Model GS868 display screen.

### 3.3 Using the Display

The Model GS868 display is divided into a left pane and a right pane. The two screen panes can be set independently to display any of the available measurement or diagnostic parameters. The components of a typical measurement mode screen are shown in Figure 14 below.

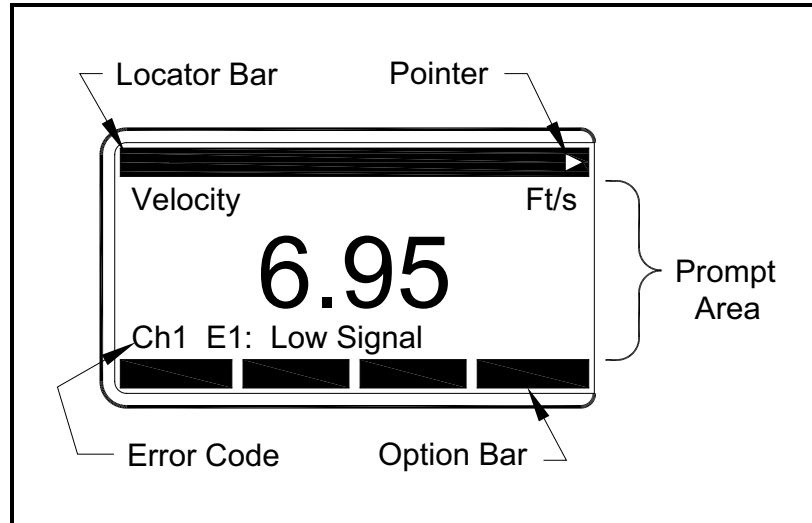


Figure 14: Display Screen Components

Both panes of the display screen are continuously updated, but only one pane at a time may be programmed or changed. To select a pane, press the corresponding side of the **[SCREEN]** key on the keypad. The currently selected screen pane will have function names in the option bar, while the other screen pane will have a blank option bar. See the *Programming Manual* for detailed instructions on using the keypad.

As shown in Figure 14 on page 32, each pane of the display screen is divided into the following three general areas:


- the locator bar
- the prompt area
- the option bar.

The upper portion of the screen pane is called the *locator bar*. While the meter is taking measurements, the locator bar displays the name of the currently selected site file. In addition, the locator bar identifies the task that is currently being performed and the status of that task. For example, pressing the **[PROG]** key on the keypad will cause the locator bar to display **"PROGRAM"** and **"Start"** to indicate that the meter is ready to be programmed from the start of the *User Program*.




### 3.3 Using the Display (cont.)

At various times, one or more of the following four symbols may be displayed on the far right of the locator bar:

- : This symbol, which is called the *pointer*, indicates that additional option bar entries are available. These options can be accessed by using the [←] and [→] keys.
- \*: A flashing asterisk indicates that the Model GS868 is currently logging information. See the *Programming Manual* for instructions on creating a log file.
- S or S<sub>L</sub>: This symbol indicates the status of the red [SHIFT] key. "S" indicates that the [SHIFT] key is activated for the next keystroke only, while "S<sub>L</sub>" indicates that the [SHIFT] key is locked. See the next section for instructions on using the keypad.
- T: This symbol indicates that the Model GS868 is currently totalizing data.

The middle portion of the screen pane is the *prompt area*. This area displays data, graphs, and logs in measurement mode and menu prompts in programming mode. In addition, error code messages, which are described in the *Service Manual*, are displayed in the prompt area.

The lower portion of the screen pane is called the *option bar*. The option bar displays the functions assigned to the four keys immediately below the display screen ([F1]–[F4] for the left pane and [F5]–[F8] for the right pane). Press a function key to select the function listed in the option bar immediately above it. If more than four functions are available, a pointer  appears on the far right of the locator bar. Press the [←] or [→] keys to display the additional functions on the option bar.

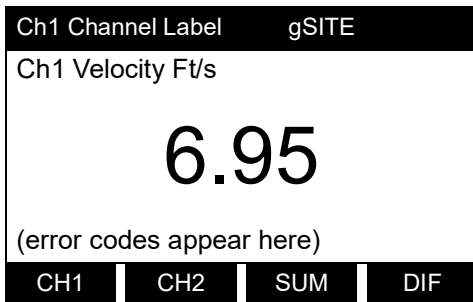
For information about other symbols and text that may appear on the display screen, refer to the *Service Manual*.

### 3.4 Taking Measurements

The Model GS868 is capable of displaying several different variables in a variety of formats. However, this manual will only discuss the basic measurement displays in the default screen format. Refer to the *Programming Manual* for instructions on setting up alternate screen displays and see the *Service Manual* for a discussion of the diagnostic parameters listed under the **DIAG** option.

**Note:** *This section assumes that the left pane of the display screen is currently active. However, the same instructions apply equally to the right screen pane, when it is active. Just change the function keys from [F1]-[F4] to [F5]-[F8].*

For a 2-channel Model GS868, the following initial screen appears immediately upon completion of the internal checks. As an example, the display shows the measured velocity in ft/sec for Channel 1.

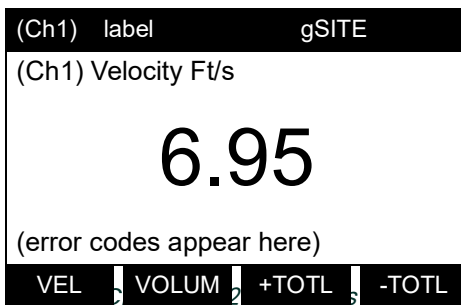


To select a different channel display option, press [F1]-[F4] (or [→] and [F1]). See Table 7 below for a complete description of the available options.

**Table 7: Channel Display Options**

Option Bar Choice	Description
[F1] = CH1	Channel 1
[F2] = CH2	Channel 2
[F3] = SUM	(Channel 1) + (Channel 2)
[F4] = DIF	(Channel 1) - (Channel 2)
[→] + [F1] = AVE	[(Channel 1) + (Channel 2)]/2

The following screen appears after selection of the channel mode display option for a 2-channel Model GS868 or immediately after the internal checks for a 1-channel Model GS868.



Use the [F1]-[F4], [←] and [→] keys to select the desired display parameter option. Refer to Table 8 on page 35 for a complete description of the available options.

*parentheses above, appears only with a 2-Channel Model GS868.*

### 3.4 Taking Measurements (cont.)

**Table 8: Measurement Parameter Options**

Option Bar Choice	Description
[F1] = VEL	Flow Velocity
[F2] = VOLUM	Volumetric Flow
[F3] = +TOTL	Forward Totalized Volume Flow
[F4] = -TOTL	Reverse Totalized Volume Flow
[→] + [F1] = TIME	Total Flow Measurement Time
[→] + [F2] = MDOT	Mass Flow
[→] + [F3] = +MASS	Forward Totalized Mass Flow
[→] + [F4] = -MASS	Reverse Totalized Mass Flow
[→] + [→] + [F1] = DIAG	Diagnostic

The **DIAG** option listed in Table 8 above provides access to a wide variety of diagnostics parameters. See Chapter 3, *Diagnostics*, of the *Service Manual* for a complete description of these options.

By following the instructions in this section, the Model GS868 can be set up to display the desired channel option (for a 2-Channel meter) and the desired measurement parameter. To utilize the more advanced display capabilities of the Model GS868, refer to the *Programming Manual* and/or the *Service Manual* for the instrument.

### 3.4.1 Foundation Fieldbus Communications

Foundation Fieldbus provides a means of communicating with the flowmeter. The patent numbers which apply are 5,909,363 and 6,424,872.

This Foundation Fieldbus device supports 2 Analog Input (AI) blocks, which can be configured to supply the following measurements on the network (see Table 9 below).

**Table 9: Available Measurements Using a Foundation Fieldbus Device**

Channel 1	Units	Channel 1	Units	Channel 1	Units
Ch1 Velocity	ft/s or m/s*	Ch1 Mass Flow	MASS_U	Ch1 SSUP	none
Ch1 Act Volumetric	VOL_U	Ch1 Fwd Mass Totals	MTOT_U	Ch1 SSDN	none
Ch1 Std Volumetric	VOL_U	Ch1 Rev Mass Totals	MTOT_U	Ch1 Sound Speed	ft/s or m/s*
Ch1 Fwd Totals	TOT_U	Ch1 #Mass Tot Digits	none	Ch1 Density***	see note
Ch1 Rev Totals	TOT_U	Ch1 Timer	sec	Ch1 Temperature	Deg F or C*
Ch1 #Tot Digits**	none	Ch1 Error Code	none	Ch1 Pressure	PRESS_U

\*Metric or English units are determined by the setup of the flowmeter.

\*\*Totalizer digits are available for informational purposes only. Respective totals are automatically scaled by the Tot Digits value selected in the flowmeter setup.

\*\*\*If the meter is outputting Mole Weight, the unit is "mw", otherwise it is the programmed pressure unit.

VOL\_U, TOT\_U, MASS\_U, MTOT\_U and PRESS\_U are determined by the units chosen for these measurements in the flowmeter setup. See the instrument User's Manual for the setup of these parameters.

## Chapter 4. Specifications

### 4.1 General

The general specifications for the Model GS868 flowmeter are divided into the following categories:

#### 4.1.1 Hardware Configuration

**Package Options:** Epoxy-coated aluminum (standard)  
Stainless steel  
Explosion-proof

**Physical: Size:** 14.24 × 11.4 × 5.12 in. (36.2 × 29 × 13 cm)  
Weight: 11 lb (5 kg)

#### 4.1.2 Environmental

**Operating Temperature:** -4° to 131°F (-20° to 55°C)

**Storage Temperature:** -67° to 167°F (-55° to 75°C)

#### 4.1.3 Flow Accuracy

**% of Reading:** ±1% to 2% of reading typical

**Note:** Accuracy depends on pipe size and whether measurement is 1-path or 2-path. Accuracy to ±0.5% of reading may be achievable with process calibration.

#### 4.1.4 Range

**Bidirectional:** -150 to -0.1 ft/s (-46 to -0.03 m/s)  
0.1 to 150 ft/s (0.03 to 46 m/s)

#### 4.1.5 Rangeability (Overall)

1500:1

#### 4.1.6 Repeatability

±0.2 to ±0.5%

**Note:** Specifications assume a fully developed flow profile (typically 20 diameters upstream and 10 diameters downstream of straight pipe run) and flow velocity greater than 3 ft/s (1 m/s).

#### 4.1.7 Response Time

**For a 0–90% Step Change:** 3 seconds to within 1% of final value

## 4.2 Electrical

The electrical specifications for the Model GS868 flowmeter are divided into the following categories:

#### 4.2.1 Power Supply

**Input Options:** 110 to 120 VAC, 50/60 Hz with 1.0 A Slo-Blo Fuse  
220 to 240 VAC, 50/60 Hz with 0.5 A Slo-Blo Fuse  
12 to 28 VDC with 3.0 A Slo-Blo Fuse

#### 4.2.2 Power Usage

20 W maximum

#### 4.2.3 Operating Mode

Transit-time flow measurement for gas transducers.

#### 4.2.4 European Compliance

This unit complies with EMC Directive 2004/108/EC and 2006/95/EC Low Voltage Directive (Installation Category II, Pollution Degree 2), and PED 97/23/EC for DN<25.

#### 4.2.5 Input/Output Specifications

**Keypad:** 39-key membrane keypad with tactile feedback

**Display:** Both single- and dual-channel models have a software-configurable 64 x 128-pixel LCD graphic display, divided into two display areas (panes)

Digital Interfaces:

- Standard: RS232
- Optional: RS485 (multiuser)
- Optional: MODBUS protocol
- Optional: Ethernet TCP/IP
- Optional MODBUS TCP/IP (Ethernet)

#### Analog Input Options:

Select up to 2 boards of one of the following types:

1. *Transmitter Input Board* with two isolated 0/4–20 mA inputs and 24-V loop power.
2. *RTD Input Board* with two isolated 3-wire RTD inputs; Span  $-148^{\circ}\text{F}$  to  $662^{\circ}\text{F}$  ( $-100^{\circ}\text{C}$  to  $350^{\circ}\text{C}$ ). Inputs of the following types may be used:

Analog Input Options (cont.):

- a. Temp from  $-200^{\circ}$  to  $+1,000^{\circ}\text{C}$
- b. Pressure from 0–3000 psig  
0 to 500 bar
- c. Steam quality from 0.0 to 1.0

Analog Output Options:

All meters come with two isolated 0/4–20 mA current outputs (550  $\Omega$  maximum load).

Optional selection of up to 3 additional output boards, each with four isolated 0/4–20 mA outputs (1000  $\Omega$  maximum load).

Totalizer/Frequency Output Options:

Select up to 3 Totalizer/Frequency Output Boards, each with four outputs per board, 10 kHz max.

All boards allow software-selectable functioning in two modes:

*Totalizer Mode:* one pulse per defined unit of parameter (e.g., 1 pulse/SCF).

*Frequency Mode:* pulse frequency proportional to magnitude of parameter (e.g., 10 Hz = 1 gpm).

Alarm Options:

Select up to 2 boards of one of the following types:

*Basic Relay Board* with three general purpose Form-C relays.

*Hermetic Relay Board* with three hermetically sealed Form-C relays.

*Maximum Relay Ratings:*

120 VAC AC Voltage, 28 VDC DV Voltage, 5A AC/DC Current,  
60 VA AC Power, 30 W DC Power (General Purpose) or  
56 W DC Power (Hermetically Sealed)

## 4.3 Operational

The operational specifications for the Model GS868 flowmeter are divided into the following categories:

### 4.3.1 Flow Computer (Built-in)

The flow computer has three operating modes:

1. *RUN (Normal operating mode):*  
Flow velocity equations are solved and statistical data rejection techniques are employed to provide reliable and repeatable results.
2. *PARAMETER:*  
Allows the operator to program the meter.
3. *DIAGNOSTIC:*  
Allows the operator to calibrate inputs and outputs and to display certain diagnostic information such as checksums, signal strength, calculated gas sound speed, etc.

### 4.3.2 Data Logging

Keypad-programmable for setting up log units, update interval, start and stop times. Memory capacity for more than 43,000 flow data points in a linear or circular log.

### 4.3.3 Display Functions

Liquid crystal graphic display shows flow in numeric or graphic format. Also displays logged data and diagnostics.

### 4.3.4 Printer Signal Output

Supports wide variety of thermal and impact printers. Output data in numeric or graphic ("strip chart") format.

## 4.4 Transducer

The transducer specifications for the Model GS868 flowmeter are divided into the following categories:

### 4.4.1 Type

Standard: T9

Optional: BWT™ System

### 4.4.2 Temperature Range

-190° to 450°C (-310° to 842°F) (overall)

### 4.4.3 Pressure Ranges

Standard: 0 to 2700 psig (1 to 187 bar)

Optional: 3480 psig (240 bar) maximum

### 4.4.4 Materials

Standard: Stainless steel, titanium

Optional: Monel®, Hastalloy®

### 4.4.5 Connections

**Cable Length:** Up to 1000 ft (300 m)

#### **Housing Options:**

- Explosion-proof (Class I, Group C & D, Division I)

- Flameproof (INIEX/ISSEP certified for EEx d II C T6)

- Weatherproof (Type-4X, IP65)

- Type-7



## 4.5 Flowcell

The flowcell specifications for the Model GS868 flowmeter are divided into the following categories:

### Spoolpiece

**Process Connections:**

Flanged typical, welded optional

**Transducer Connections:**

1.5 in., 300 lb. flange for T9 transducer

1.5 in., 150-2,500-lb. flange for BWT transducers

### Cold Tap

**Process Connections:**

N/A

**Transducer Connection:**

PanaPort cold tap kit

Optional: ANSI flanged 150 to 300#

### Pipe Size & Materials

**Outside Diameter (OD):**

2 to 48 in. (50 to 1200 mm).

**Materials:**

All metals. Consult Panametrics for other materials.

[no content intended for this page]

# Appendix A. CE Mark Compliance

## A.1 Introduction

For CE Mark compliance, the Model GS868 flowmeter must be wired in accordance with the instructions in this appendix.

**IMPORTANT:** *CE Mark compliance is required only for units intended for use in EC countries.*

## A.2 Wiring

The Model GS868 must be wired with the recommended cable, and all connections must be properly shielded and grounded. Refer to Table 10 below for the specific requirements.

**Table 10: Wiring Modifications**

Connection	Cable Type	Termination Modification
Transducer	RG62 a/u	Add metallic cable clamp from braid to chassis ground.
	Armored RG62 a/u or conduit	None - grounded using a cable gland.
Input/Output	22 AWG shielded (e.g. Baystate #78-1197)	Terminate shield to chassis ground.
	Armored conduit	None - grounded using a cable gland.
Power	14 AWG, 3 conductor, shielded (e.g. Belden #19364)	An external ground to the chassis is required.
	Armored Conduit	None - grounded using a cable gland.

## A.3 External Grounding

For CE Mark compliance, the electronics enclosure and the transducer fixture must each have an external ground wire attached.

**Note:** *If the Model GS868 is wired as described in this appendix, the unit will comply with the EMC Directive 2004/108/EC.*

---

[no content intended for this page]

---

## Appendix B. Data Records

### B.1 Option Cards Installed

Whenever an option card is installed in one of the Model GS868's expansion slots, record the type of card and any additional setup information in the appropriate row of Table 11 below.

Table 11: Option Cards Installed

Slot #	Type of Option Card	Additional Setup Information
0	Analog Outputs (A, B)	
1		
2		
3		
4		
5		
6		

## B.2 Initial Setup Data

After the Model GS868 flowmeter has been installed, some initial setup data must be entered via the *User Program*, prior to operation. Record that information in Table 12 below.

**Table 12: Initial Setup Data**

General Information					
Model #			Reference		
Software Vers.			Date		
Serial #			Z Dimension		
Measurement Method - <i>ACTIV</i>					
Channel 1			Channel 2		
Channel Status	Off	Burst	Channel Status	Off	Burst
Measure Mode	Skan	S/M	Measure Mode	Skan	S/M
System Parameters - <i>SYSTEM</i>					
1-Channel			2-Channel		
Site Label			Chan.1 Label		
Site Message			Chan. 1 Message		
System Units	English	Metric	Chan. 2 Label		
Pressure Units			Chan. 2 Message		
Stopwatch Total.	Auto	Manual			
1-Channel and 2-Channel					
Channel 1			Channel 2 (if applicable)		
Gas Equation	Standard	Actual	Gas Equation	Standard	Actual
Vol. Units			Vol. Units		
Vol. Time Units			Vol. Time Units		
Vol. Dec. Digits			Vol. Dec. Digits		
Totalizer Units			Totalizer Units		
Tot. Dec. Digits			Tot. Dec. Digits		
Mass Flow			Mass Flow		
Mass Flow Time			Mass Flow Time		
MDOT Dec. Dig.			MDOT Dec. Dig.		
Mass Totalizer			Mass Totalizer		
Mass Dec. Dig.			Mass Dec. Dig.		
Pipe/Transducer Parameters - <i>PIPE</i>					
Channel 1			Channel 2 (if applicable)		
Std. Trans. #			Std. Trans. #		
Spec. Trans. #			Spec. Trans. #		
Spec. Trans. Hz			Spec. Trans. Hz		
Spec. Trans. Tw			Spec. Trans. Tw		
Note: table is continued on next page.					
Pipe/Transducer Parameters (cont.) - <i>PIPE</i>					
Channel 1 (cont.)			Channel 2 (cont.)		

**Table 12: Initial Setup Data**

Pipe O.D.			Pipe O.D.		
Pipe Wall			Pipe Wall		
Path Length (P)			Path Length (P)		
Axial Length (L)			Axial Length (L)		
Fluid Type	Steam	Other	Fluid Type	Steam	Other
Other/Sndspd			Other/Sndspd		
Mass Flow	No	Yes	Mass Flow	No	Yes
Fluid Density			Fluid Density		
Multi K-factors	Off	On	Multi K-factors	Off	On
Edit Table	No	Yes	Edit Table	No	Yes
K-factor Table			K-factor Table		
K-Factor #	Velocity	K-Factor	K Factor #	Velocity	K-Factor
1			1		
2			2		
3			3		
4			4		
5			5		
6			6		
7			7		
8			8		
9			9		
10			10		
11			11		
12			12		
13			13		
14			14		
15			15		
16			16		
17			17		
18			18		
19			19		
20			20		
Cal. Factor			Cal. Factor		

---

[no content intended for this page]



---

## Appendix C. Optional Enclosures

### C.1 Introduction

Upon request the Model GS868 flowmeter may be supplied in an enclosure other than the standard Type-4X enclosure described in Chapter 1, *Installation*, of this manual. Although the standard installation and wiring instructions still apply in general terms, some of the details may vary for different enclosure types. Refer to the appropriate sections of this appendix for the specific type of enclosure provided.

### C.2 Rack Mount Enclosure

The Model GS868 flowmeter is available in a *rack mount* enclosure for installation in a standard 19" electronics rack. Refer to Figure 15 on page 51 for the dimensions of this unit. Simply slide the Model GS868 into the rack at the desired height and fasten the unit securely to the rack with four screws in the locations provided at the sides of the front panel.

After the unit has been physically mounted into the rack, proceed to the next section for instructions on wiring the meter.

### C.3 Rack Mount Wiring

The rack mount Model GS868 requires exactly the same electrical connections as the standard version. However, the locations and type of connectors used for the various components are different. Refer to Figure 16 on page 52 and complete the following steps:

1. Wire the *power input* on the right side of the rear panel as follows:
  - a. Make sure a **fuse** (item #4) of the proper size and type is installed.
  - b. Connect the female end of the **line cord** provided to the power input receptacle (item #3).
  - c. Connect the **earth ground** screw terminal (item #2) to a ground point on the rack.
2. Wire the *transducers* as follows:
  - a. Connect the pair of cables supplied with the meter to the **Channel 1** upstream and downstream BNC transducer connectors on the left side of the rear panel.
  - b. For a 2-Channel meter, repeat the above step for the **Channel 2** transducer connectors (if the second channel is to be used).
  - c. Complete the transducer wiring in accordance with the instructions in Chapter 1, *Installation*, of this manual.
3. Wire the 0/4-20 mA *analog outputs* at the left side of the rear panel in accordance with the instructions in Chapter 1, *Installation*, of this manual.
4. Wire the *RS232 serial port* by completing the following steps:
  - a. Purchase or prepare a suitable serial cable. This cable should have a standard female DB9 connector, wired as shown in Figure 16 on page 52, for connection to the rear panel of the Model GS868. The other end should be as required for the external device.
  - b. Complete the serial port wiring in accordance with the instructions in Chapter 1, *Installation*, of this manual.
5. Wire any installed *option cards* using the same procedures described in Chapter 1, *Installation*, of this manual and the pin # assignments shown in Figure 16 on page 52.

---

### C.3 Rack Mount Wiring (cont.)

**Note:** *The pins on the option card connectors are numbered from pin #1 on the top to pin #8 (or #9) on the bottom.*

6. Place the *power switch* (item #1) in the ON position.

The Model GS868 is now completely wired. Proceed to Chapter 2, *Initial Setup*, of this manual for further instructions.

### C.4 Rack Mount Front Panel

The keypad and LCD display for the rack mount Model GS868 are located on the front panel. These items are identical in form and function to those used on the standard Type-4X enclosure, but the layout is somewhat different.

Refer to Figure 17 on page 53 for the front panel layout of the rack mount Model GS868 and follow the standard procedures detailed in the main body of this manual.

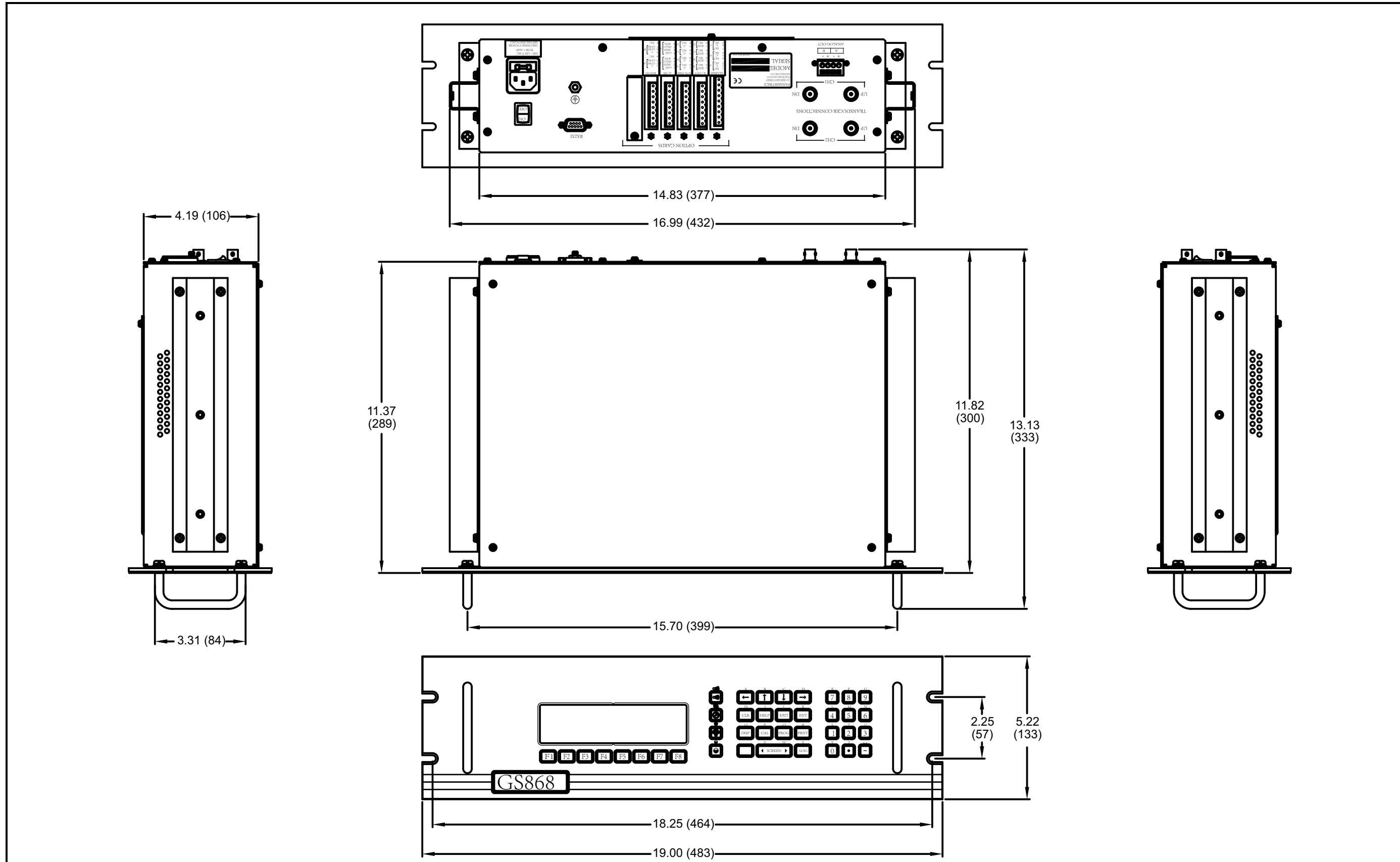


Figure 15: Model GS868 Rack Mount Enclosure (ref. dwg #712-1078)

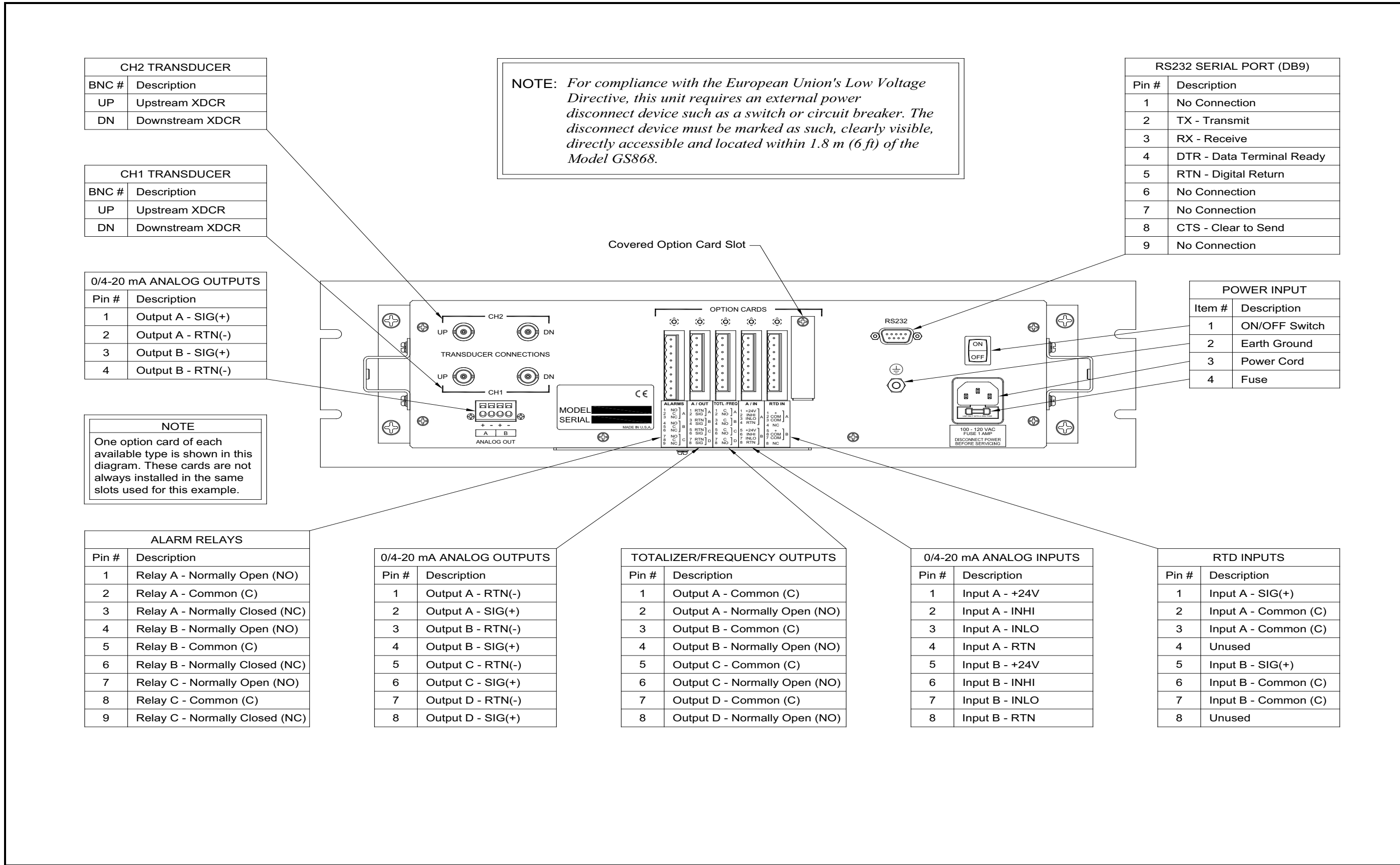


Figure 16: Model GS868 Rack Mount Enclosure - Wiring Diagram

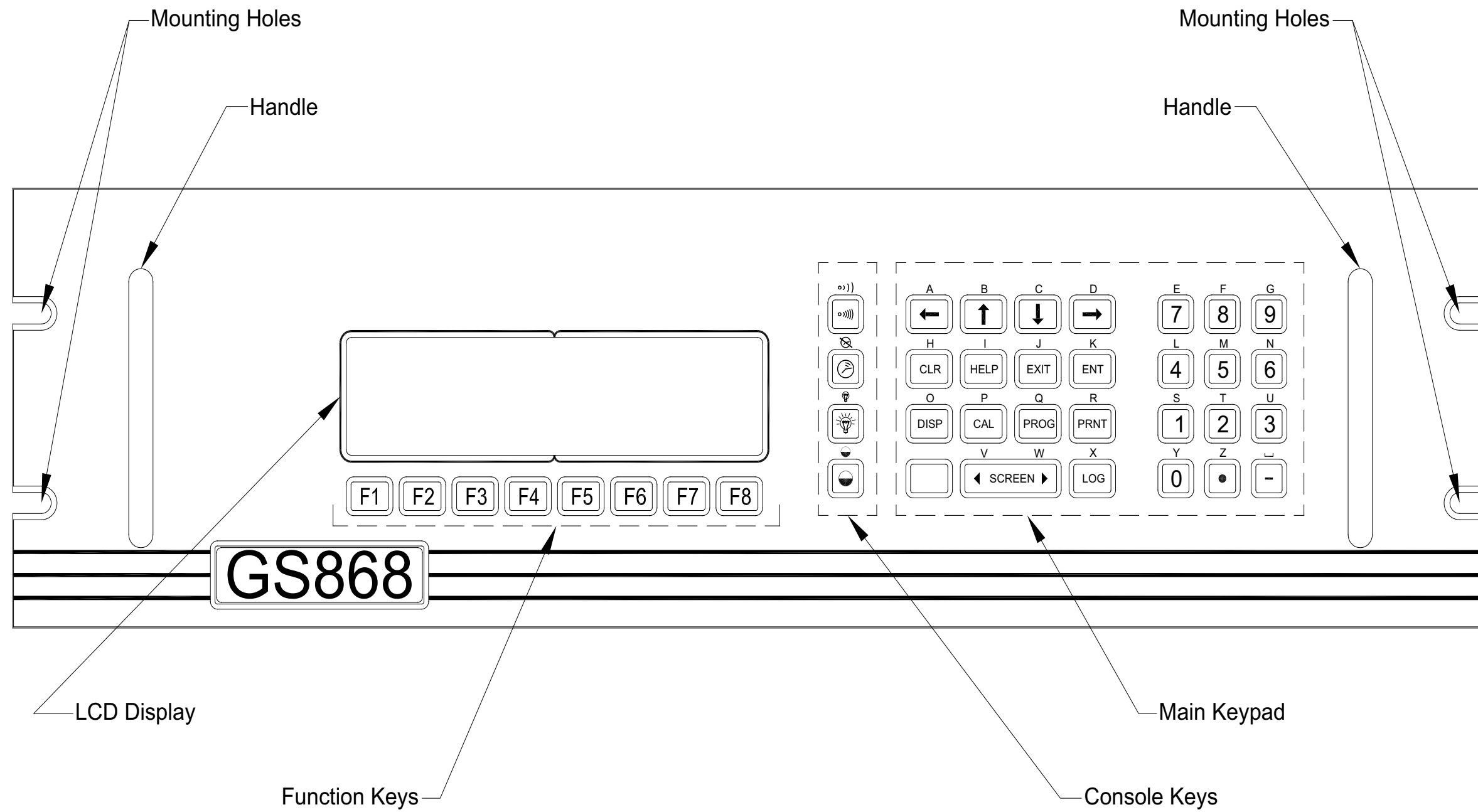


Figure 17: Model GS868 Rack Mount Enclosure - Front Panel Layout



---

## Appendix D. Measuring P and L Dimensions

### D.1 Introduction

When programming the PIPE menu of the Model GS868's *User Program*, the *path length* (P) and the *axial dimension* (L) must be entered. These parameters are determined by measurements on the actual transducer installation, with P equal to the face-to-face distance between the transducers and L equal to the axial distance between the centers of the transducer faces.

The accuracy of the programmed P and L values is critical to precise flow rate measurements. If the factory supplies the flowcell for the system, the correct values will be included in the documentation supplied with the unit. For transducers installed on an existing pipe (see Figure 18 on page 56), P and L must be measured at the site. This appendix provides instructions for properly determining these dimensions.

### D.2 Measuring P and L

Whenever possible, physically measure the face-to-face distance (P) and the axial distance (L) between the centers of the flat faces of the transducers. Refer to Figure 18 on page 56 for an illustration of the proper distances to measure in a typical installation.

In some situations only one of the required distances can be directly measured. When this happens, a knowledge of the installation angle ( $\theta$ ) of the transducers, permits the second distance to be calculated from Equation D-1 below:

$$\cos\theta = \frac{L}{P}$$

As an example, assume that the transducer installation angle is known to be  $45^\circ$  and the L distance is measured to be 10.00 inches. Then, the P distance is calculated to be  $P = 10.00/0.707 = 14.14$  inches.

With a Bias  $90^\circ$  transducer installation, it sometimes happens that the only known parameters are the transducer angle ( $\theta$ ) and the centerline distance between the transducer bodies (CL). In these cases, it is still possible to calculate P and L by combining Equation D-1 above with the additional Equation D-2 below (see Figure 18 on page 56):

$$P = CL - 1.2$$

Standard Panametrics  $90^\circ$  transducers have the face offset from the centerline of the body by 0.6 inches. Thus, a pair of transducers has a total offset of 1.2 inches, as indicated in Equation D-2 above. For example, suppose that the transducer installation angle is  $30^\circ$  and CL is measured to be 12.00 inches. Then,  $P = 12.00 - 1.2 = 10.80$  inches and  $L = 10.80 \times 0.866 = 9.35$  inches.

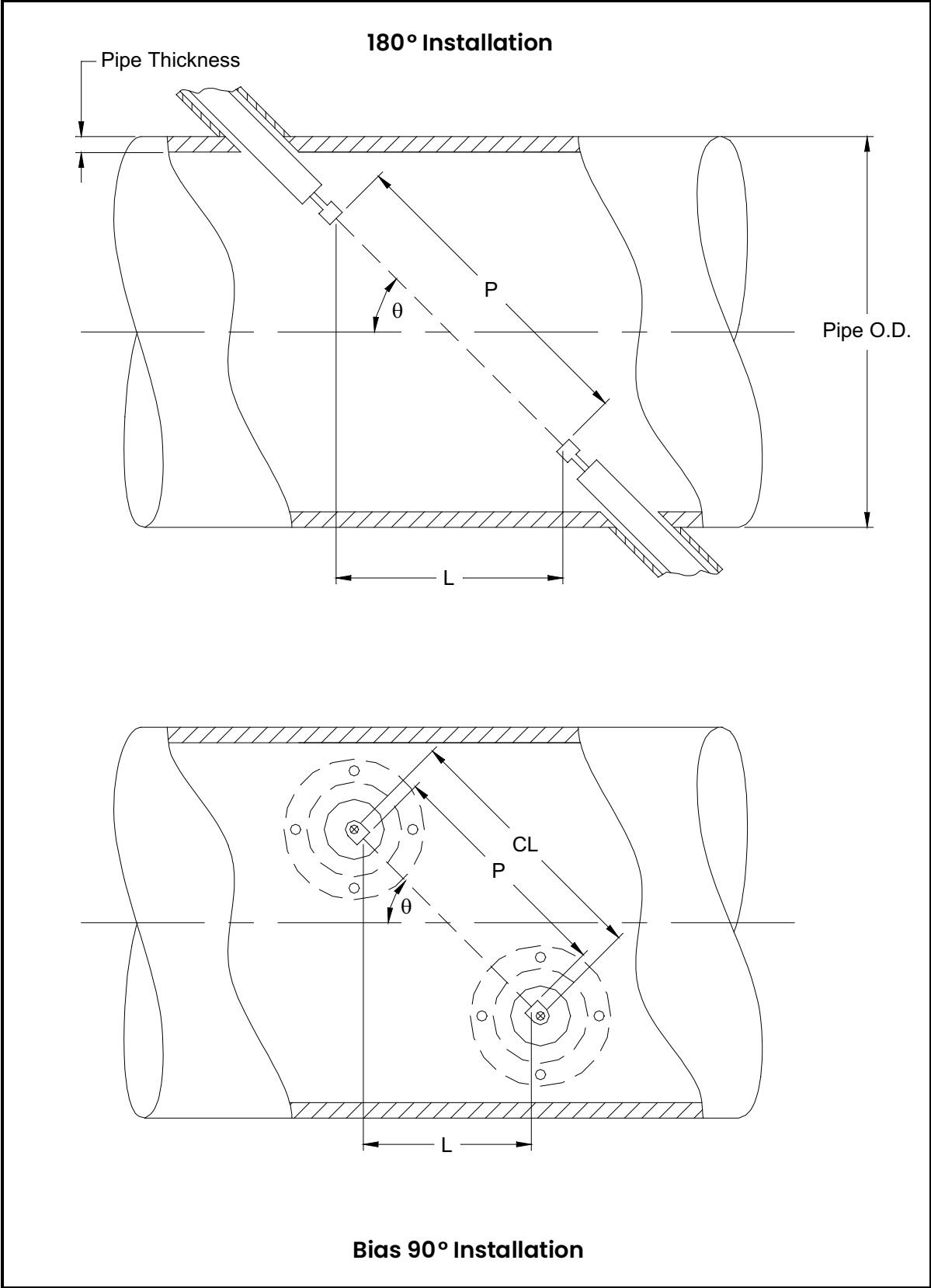


Figure 18: Top View of Transducer Installations



<b>A</b>	
Abbreviations, Volumetric Units .....	25
ACTIV Submenu .....	23
Alarms Option Card	
Connecting .....	12
Fail-Safe Operation .....	12
Relay Ratings .....	39
Analog Inputs Option Card	
Connecting .....	13
Pin Assignments .....	13
Rating .....	13
Ratings .....	38
Analog Outputs (Slot 0)	
Connecting .....	8
Analog Outputs Option Card	
Connecting .....	15
Axial Dimension .....	55
Axial Length .....	27
<b>C</b>	
Cable	
Serial Port .....	9
Transducers .....	2, 8
Calibration Factor .....	27
CE Mark Compliance .....	1, 7, 43
Channel Label .....	25
Channel Message .....	25
Connecting	
See Part Name	
Connectors, Electrical .....	5
<b>D</b>	
Display	
Channel Mode Options .....	34
Components .....	32
Data .....	31
Locator Bar .....	32
Locator Bar Symbols .....	33
Measurement Mode .....	31
Metric or English .....	24
Option Bar .....	32
Parameter Options .....	35
Pointer .....	32
Prompt Area .....	32
Selecting .....	32
Using .....	32
<b>E</b>	
Electrical Connectors .....	5
Electronics Console	
Description .....	2
Mounting .....	5
Ethernet, Wiring the .....	10
<b>F</b>	
Fieldbus Network .....	11
Connections .....	11
Flowcell	
Description .....	2
Installing .....	2
Fluid Type .....	27
Foundation Fieldbus	
Available Measurements .....	36
Communications .....	36
Frequency .....	26
Function Keys .....	33
Fuse Ratings .....	37
<b>I</b>	
Initial Setup	
Data Table .....	46
Minimum Required .....	21
Input Voltage .....	6
Internal Tests .....	31
<b>L</b>	
Lightning Protector, Connecting .....	8
Locator Bar .....	32
LVD Shroud .....	5
LVD Statement .....	2
<b>M</b>	
Mass Flow Units	
Available Options .....	26
Setting .....	26
Measurements	
Displaying .....	31, 34
Parameter Options .....	35
Taking .....	31, 34
Measurements, Foundation Fieldbus .....	36
MODBUS/TCP, Wiring the .....	10
<b>O</b>	
Option Bar .....	32
Option Card	
Alarms .....	12
Analog Inputs .....	13
Analog Outputs .....	15
RTD Inputs .....	15
Setup Information Table .....	45
Totalizer/Frequency Outputs .....	14
<b>P</b>	
Parameter Options .....	35
Password .....	22
Path Length .....	27, 55
Pipe OD .....	26
Available Units .....	27
Pipe OD, Programming .....	26
PIPE Submenu .....	26
Pipe Wall .....	27
Pipe Wall, Programming .....	27
Pointer .....	32
Power	
Connecting .....	6
Terminal Block .....	6
Powering Up	
Display .....	31
Internal Checks .....	31
Preamplifier	
Connecting .....	8

Pressure Transmitter			
Installing	4		
Location	2		
Prompt Area	32		
		<b>R</b>	
Rack Mount			
Front Panel	50		
Installation	49		
Wiring	49		
Return Policy	59		
Reynolds Correction	27		
RS232 Port			
See Serial Port			
RTD Inputs Option Card			
Connecting	15		
RTD Temperature Transmitter	4		
		<b>S</b>	
Screen, Selecting	32		
Security Feature	22		
Serial Port			
Cable	9		
Connecting	8		
Pin Assignments	8		
Shroud			
LVD	5		
Plastic	5		
Site Label	24		
Site Message	24		
Slot 0			
See Analog Outputs (Slot 0)			
Special Transducer	26		
Specifications			
Electrical	37		
Flowcell	41		
General	37		
Operational	39		
Transducer	40		
Symbols, Locator Bar	33		
SYSTEM Submenu	24		
for 1-Channel Meter	24		
for 2-Channel Meter	25		
		<b>T</b>	
Temperature Transmitter			
Installing	4		
Location	2		
RTD	4		
Terminal Block			
Analog Outputs - I/O	8		
Power - TBI	6		
Serial Port - RS232	8		
Transducers - CH1/CH2	8		
Time Delay	26		
Totalizer/Frequency Option Card			
Connecting	14		
Transducer Number	26		
Transducer, Special	26		
Transducers			
180° Installation	55		
Axial Dimension	55		
Bias 90° Installation	55		
Cables	2, 8		
Connecting	8		
Installation Angle	55		
Location	2		
Path Length	55		
Transmitter			
See Temperature or Pressure Transmitter			
		<b>U</b>	
Unpacking	1		
User Program			
ACTIV Submenu	23		
Entering	22		
Navigating	21		
PIPE Submenu	26		
		<b>V</b>	
Voltage, Input	6		
Volumetric Units	25		
		<b>W</b>	
Warranty	59		
Wiring			
CE Mark Compliance	43		
Foundation Fieldbus	11		
Option Card	See Card Name		
Terminal Block	See Block Name		

---

## Warranty

Each instrument manufactured by Panametrics Sensing is warranted to be free from defects in material and workmanship. Liability under this warranty is limited to restoring the instrument to normal operation or replacing the instrument, at the sole discretion of Panametrics Sensing. Fuses and batteries are specifically excluded from any liability. This warranty is effective from the date of delivery to the original purchaser. If Panametrics Sensing determines that the equipment was defective, the warranty period is:

- one year from delivery for electronic or mechanical failures
- one year from delivery for sensor shelf life

If Panametrics Sensing determines that the equipment was damaged by misuse, improper installation, the use of unauthorized replacement parts, or operating conditions outside the guidelines specified by Panametrics Sensing, the repairs are not covered under this warranty.

---

**The warranties set forth herein are exclusive and are in lieu of all other warranties whether statutory, express or implied (including warranties or merchantability and fitness for a particular purpose, and warranties arising from course of dealing or usage or trade).**

---

## Return Policy

If a Panametrics Sensing instrument malfunctions within the warranty period, the following procedure must be completed:

1. Notify Panametrics Sensing, giving full details of the problem, and provide the model number and serial number of the instrument. If the nature of the problem indicates the need for factory service, Panametrics Sensing will issue a RETURN AUTHORIZATION NUMBER (RAN), and shipping instructions for the return of the instrument to a service center will be provided.
2. If Panametrics Sensing instructs you to send your instrument to a service center, it must be shipped prepaid to the authorized repair station indicated in the shipping instructions.
3. Upon receipt, Panametrics Sensing will evaluate the instrument to determine the cause of the malfunction.

Then, one of the following courses of action will then be taken:

- If the damage is covered under the terms of the warranty, the instrument will be repaired at no cost to the owner and returned.
- If Panametrics Sensing determines that the damage is not covered under the terms of the warranty, or if the warranty has expired, an estimate for the cost of the repairs at standard rates will be provided. Upon receipt of the owner's approval to proceed, the instrument will be repaired and returned.

[no content intended for this page]

---

## Panametrics Infrastructure Products Used in Hazardous Locations

Installation and operation manuals in their complete forms, along with product specific certification and safety statement sheets are included on the CD provided with the product documentation shipped with each instrument. Please read and follow all provided manufacturer's instructions prior to installation and the application of power to your equipment. Always observe the following:

- Field wiring shall be rated at least 10°C above rated ambient.
- Connecting cables shall be mounted securely and protected from mechanical damage, pulling and twisting.
- Cable entry thread types are identified on the equipment label.
- Cable glands of an approved flameproof design are required for **Ex d** rated equipment. These must be installed according to the manufacturer's instructions. Where the cable glands are provided by Panametrics, the manufacturer's instructions, as supplied to Panametrics, will be included in the documentation.
- Unused cable entries must be sealed using a suitably certified threaded plug.
- Modifications to any flameproof enclosure are not permitted.
- The apparatus must be de-energized before opening, servicing and conducting any routine maintenance.
- Installation shall be in accordance with the installation instructions and the National Electrical Code<sup>®</sup> ANSI/NFPA 70, the Canadian Electrical Code C22.1, or IEC/EN 60079-14, as applicable.
- The product contains no exposed parts which produce surface temperature infrared, electromagnetic ionizing, or non-electrical dangers.
- The product must not be subjected to mechanical or thermal stresses in excess of those permitted in the certification documentation and the instruction manual.
- The product cannot be repaired by the user. It must be replaced by an equivalent certified product. Repairs should only be carried out by the manufacturer or by an approved repairer.
- Only trained, competent personnel may install, operate and maintain the equipment.
- The product is an electrical apparatus and must be installed in the hazardous area in accordance with the requirements of the *EC Type Examination Certificate*. The installation must be carried out in accordance with all the appropriate international, national and local standard codes and practices and site regulations for flameproof apparatus and in accordance with the instructions contained in the manual. Access to the circuitry must not be made during operation.

---

## Special Conditions for Safe Use

1. Consult the manufacturer if dimensional information on any flameproof joint is necessary.
2. Follow the manufacturer's instructions to reduce the potential of an electrostatic charging hazard.
3. Consult the manufacturer for genuine replacement flange fasteners. M10x35 hexagon socket cap screws of ISO 12.9 DIN912 grade steel (zinc-plated) or better with a minimum yield strength of 135,000 psi are acceptable alternatives.
4. The sensor body temperature code rating is dependent on the process temperature. It is assumed that the external surface of the sensor body will be, at worst case, equal to the process temperature (up to 140°C). In all cases, the electronics assembly will be marked **T6** as it will be locally mounted for process temperatures up to 85°C and will be remotely mounted for process temperatures exceeding 85°C.

## Markings

Markings appear on the instrument label which identifies the product model, serial number, operating ranges, hazardous area ratings, entry thread type, and warning and caution information.

## EU / EEA Installation Compliance

The use of this apparatus is subject to the EU directive on minimum requirements for improving the safety and health protection of workers potentially at risk from explosive atmospheres, **Council Directive 1999/92/EC**. The installer is required to be familiar with this document or the National transposing legislation.

## Increased Safety Wiring Connections

### Power Connection:

Maximum Size ‡:	solid - 4.0 mm <sup>2</sup> (12 AWG)
	Stranded - 2.5 mm <sup>2</sup> (14 AWG)
Number of conductors †:	2 Solid - max 1.5mm <sup>2</sup> (16 AWG)
	2 Stranded - max 1.0 mm <sup>2</sup> (18 AWG)

### All Other Screw Terminal Connections:

Maximum Size ‡:	solid - 4.0 mm <sup>2</sup> (12 AWG)
	Stranded - 2.5 mm <sup>2</sup> (14 AWG)
Number of conductors †:	2 Solid - max 1.5mm <sup>2</sup> (16 AWG)
	2 Stranded - max 1.0 mm <sup>2</sup> (18 AWG)

‡ - Single conductor

† - Multi-conductors of same cross-section

---

We,

**Panametrics Sensing  
1100 Technology Park Drive  
Billerica, MA 01821  
USA**

declare under our sole responsibility that the

**DigitalFlow™ DF8688 Liquid Ultrasonic Flowmeter  
DigitalFlow™ GC868 Clamp-On Gas Ultrasonic Flowmeter  
DigitalFlow™ GF868 Flare Gas Mass Ultrasonic Flowmeter  
DigitalFlow™ GM868 General-Purpose Gas Ultrasonic Flowmeter  
DigitalFlow™ GS868 Steam Mass Ultrasonic Flowmeter**

to which this declaration relates, are in conformity with the following standards:

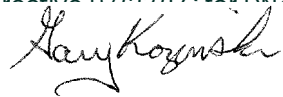
- EN 60079-0: 2009
- EN 60079-1: 2007
- EN60529: 1991 + A1: 2000
- II 2 G Ex d IIB+H2 T6 Gb Ta = 20°C to 60°C; IP66; FM12ATEX0040X  
(FM Approvals Ltd, Windsor, Berkshire, UK - NoBo 1725)
- EN 61326-1: 2006, Class A, Table 2, Industrial Locations
- EN 61326-2-3: 2006
- EN 61010-1: 2012, Overvoltage Category II

following the provisions of the 2004/108/EC EMC, 2006/95/EC Low Voltage and 94/9/EC ATEX Directives.

The unit listed above and any ancillary equipment supplied with it do not bear CE marking for the Pressure Equipment Directive, as they are supplied in accordance with Article 3, Section 3 (sound engineering practices and codes of good workmanship) of the Pressure Equipment Directive 97/23/EC for 2005.

Billerica - February 12, 2015

Issued



Mr. Gary Kozinski  
Certification & Standards, Lead Engineer

---

[no content intended for this page]





## Customer Support Centers

### U.S.A.

The Boston Center  
1100 Technology Park Drive  
Billerica, MA 01821

U.S.A.

Tel: 800 833 9438 (toll-free)  
978 437 1000

E-mail: [mstechsupport@bakerhughes.com](mailto:mstechsupport@bakerhughes.com)

### Ireland

Sensing House  
Shannon Free Zone East  
Shannon, County Clare  
Ireland

Tel: +353 61 470200

E-mail: [mstechsupport@bakerhughes.com](mailto:mstechsupport@bakerhughes.com)

Copyright 2021 Baker Hughes company.

This material contains one or more registered trademarks of Baker Hughes Company and its subsidiaries in one or more countries. All third-party product and company names are trademarks of their respective holders.

910-190U Rev. E

**Baker Hughes** 