



Electric actuator type EA15/25/45/120/250

Model:

- Basic position A-C opened, activated position B-C opened, see flow scheme
- All: Adjustable heater and 7-segment error LED included
- EA15: control and position feedback open/close
- EA25 - 250: control open/close/middle; position feedback open/close/middle ready to operate
- cUL E247458

Option:

- All: fail-safe return unit; EA25 - 250: monitoring board, positioner, profibus DP board

*with adapter 198 000 587 F05 / WS 11, 198 204 057 F05 / WS 14

Type of actuator	Voltage	Torque nominal	Torque maximal	Interfaces	Code
EA15	100-230V AC	10 Nm	20 Nm	F05* (WS 11/14)	198 153 180
EA15	24V AC/DC	10 Nm	20 Nm	F05* (WS 11/14)	198 153 181
EA25	100-230V AC	10 Nm	25 Nm	F05* (WS 11/14)	198 153 182
EA25	24V AC/DC	10 Nm	25 Nm	F05* (WS 11/14)	198 153 183
EA45	100-230V AC	20 Nm	45 Nm	F05* (WS 11/14)	198 153 184
EA45	24V AC/DC	20 Nm	45 Nm	F05* (WS 11/14)	198 153 185
EA120	100-230V AC	60 Nm	120 Nm	F07 (WS17)	198 153 186
EA120	24V AC/DC	60 Nm	120 Nm	F07 (WS17)	198 153 187
EA250	100-230V AC	100 Nm	250 Nm	F07 (WS22)	198 153 188
EA250	24V AC/DC	100 Nm	250 Nm	F07 (WS22)	198 153 189
EA15 cUL marked	100-230V AC	10 Nm	20 Nm	F05* (WS 11/14)	198153200
EA15 cUL marked	24V AC/DC	10 Nm	20 Nm	F05* (WS 11/14)	198 153 201
EA25 UL marked	100-230V AC	10 Nm	25 Nm	F05* (WS 11/14)	198 153 202
EA25 cUL marked	24V AC/DC	10 Nm	25 Nm	F05* (WS 11/14)	198 153 203
EA45 cUL marked	100-230V AC	20 Nm	45 Nm	F05* (WS 11/14)	198 153 204
EA45 cUL marked	24V AC/DC	20 Nm	45 Nm	F05* (WS 11/14)	198 153 205
EA120 cUL marked	100-230V AC	60 Nm	120 Nm	F07 (WS17)	198 153 206
EA120 cUL marked	24V AC/DC	60 Nm	120 Nm	F07 (WS17)	198 153 207
EA250 cUL marked	100-230V AC	100 Nm	250 Nm	F07 (WS22)	198 153 208
EA250 cUL marked	24V AC/DC	100 Nm	250 Nm	F07 (WS22)	198 153 209

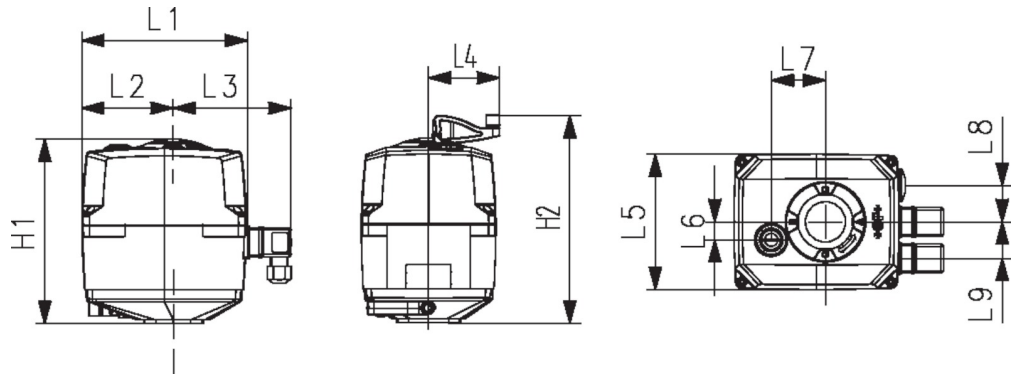
Type of actuator	H1 (mm)	H2 (mm)	L1 (mm)	L2 (mm)	L3 (mm)	L4 (mm)	L5 (mm)	L6 (mm)	L7 (mm)	L8 (mm)	L9 (mm)
EA15	137	158	122	83.0	77	64.3	122	16	49		33
EA15	137	158	122	83.0	77	64.3	122	16	49		33
EA25	167	188	150	82.5	107	64.3	122	16	49	33	33
EA25	167	188	150	82.5	107	64.3	122	16	49	33	33
EA45	167	188	150	82.5	107	64.3	122	16	49	33	33
EA45	167	188	150	82.5	107	64.3	122	16	49	33	33
EA120	190	212	150	82.5	107	64.3	122	16	49	33	33
EA120	190	212	150	82.5	107	64.3	122	16	49	33	33
EA250	200	221	150	82.5	107	64.3	122	16	49	33	33
EA250	200	221	150	82.5	107	64.3	122	16	49	33	33
EA15 cUL marked	167	189	150	78.0	108	64.0	122	16	49	33	33
EA15 cUL marked	167	189	150	78.0	108	64.0	122	16	49	33	33
EA25 UL marked	167	189	150	83.0	98	64.0	122	16	49	33	33
EA25 cUL marked	167	189	150	83.0	98	64.0	122	16	49	33	33
EA45 cUL marked	167	189	150	83.0	98	64.0	122	16	49	33	33
EA45 cUL marked	167	189	150	83.0	98	64.0	122	16	49	33	33

Data sheet

valid from: 4/17/26



Type of actuator	H1 (mm)	H2 (mm)	L1 (mm)	L2 (mm)	L3 (mm)	L4 (mm)	L5 (mm)	L6 (mm)	L7 (mm)	L8 (mm)	L9 (mm)
EA120 cUL marked	190	212	150	83.0	98	64.0	122	16	49	33	33
EA120 cUL marked	190	212	150	83.0	98	64.0	122	16	49	33	33
EA250 cUL marked	200	221	150	83.0	98	64.0	122	16	49	33	33
EA250 cUL marked	200	221	150	83.0	98	64.0	122	16	49	33	33



The technical data are not binding. They neither constitute expressly warranted characteristics nor guaranteed properties nor a guaranteed durability. They are subject to modification. Our General Terms of Sale apply.

Georg Fischer Piping Systems Ltd, Postfach, CH-8201 Schaffhausen/Switzerland Phone +41 -(0)52-631 1111 e-mail: info.ps@georgfischer.com Internet: <http://www.gfps.com>