



# Eurotherm®

## Precision at the heart of your process

### Eurotherm EPC3000 programmable controller

#### Benefits

The EPC3000 range of panel mounted programmable single loop PID controllers aids optimization of production yield for thermal and other forms of processing.

Designed with native, high speed Ethernet, and Achilles Level 1 certified for resilience against cyber-attack, the EPC3000 range is an ideal component for digitized Industry 4.0 and “Industrial Internet of Things” applications.

Highly configurable, with precise, repeatable control and measurement performance, meeting accuracy specifications up to and including stringent aerospace regulatory requirements, the EPC3000 range remains simple to use and deploy.



#### Key features and options

- Enhanced Eurotherm PID control with cutback function for fast response and minimal overshoot
- Precision 0.1% Inputs meeting accuracy requirements of AMS2750F and CQI-9
- Wireable function blocks including math, logic, and advanced control
- Fast Ethernet with RJ45 connector for IIoT and Industry 4.0
- Modbus, Ethernet/IP and BACnet protocol support
- Up to 20 ramp/soak program profiles
- Factory Mutual (FM) approved temperature limit option available

[eurotherm.com/epc3000](http://eurotherm.com/epc3000)

Life Is On

**Schneider**  
Electric

# Specifications

## General

Controller Function	<ul style="list-style-type: none"> <li>• Single loop panel mount PID controller range with autotune, on/off and valve positioning (no slidewire required).</li> <li>• Zirconia probe atmosphere control.</li> <li>• Single loop profile/program.</li> <li>• AC Mains voltage and 24Vdc power options.</li> </ul>
Measurement Inputs	1 or 2 inputs. Accuracy $\pm 0.1\%$ of reading (refer to Universal Inputs table).
PID Control	<ul style="list-style-type: none"> <li>• 2 PID sets are available as standard, with 8 as an optional extension (Each PID set offers a separate proportional band for heat and cool operation).</li> <li>• Enhanced Autotuning control with cutback function to minimize overshoot and oscillation. Fast reacting precision control to setpoint changes or after process disturbances.</li> <li>• Enhanced valve positioning (unbounded) algorithm.</li> <li>• Gain scheduling allows PID selection for a wide range of operating situations, including deviation from setpoint, absolute temperature, output level and others.</li> <li>• AC supply voltage monitoring for feedforward function. Process Variable (PV) and Setpoint (SP) feedforward functions.</li> </ul>
Setpoint Programmer/Profiler (not available for the FM version)	<ul style="list-style-type: none"> <li>• Options include 20 profiles of 8 steps (20x8), 10x24, 1x24 and 1x8.</li> <li>• Holdback (“guaranteed soak”), event outputs, time to target, ramp rate, dwell, step and call segment types.</li> <li>• Communication addresses are compatible with Eurotherm 2400 Programmable Controller.</li> <li>• Additional timer functions are available.</li> </ul>
User Function Block Wiring	<ul style="list-style-type: none"> <li>• Optional totalizer</li> <li>• Math</li> <li>• Logic and multiplexing</li> <li>• BCD conversion</li> <li>• Counter/timer and many other special function blocks available including 16 point linearization, zirconia and dual input switchover.</li> </ul>
Limit Functions	<ul style="list-style-type: none"> <li>• EN ISO 13849-1: Performance Level (PL) “C” for PV input to Alarm function</li> <li>• EN 14597 TR approved</li> <li>• Meets Factory Mutual (FM) Approval Standard for Temperature Limit and Supervisory Switches Class Number 3545 (when FM type selected).</li> </ul>
Additional Functions	<ul style="list-style-type: none"> <li>• Digital and analog retransmission functions.</li> <li>• CT Input - Monitor partial load failure, load short and open circuit; Dual input functions including switchover, redundant sensor, average, min, max, zirconia.</li> <li>• 6 freely configurable alarms with manual, automatic, non-latching and event types plus alarm delay function and blocking.</li> <li>• Alarms may be inhibited in standby.</li> <li>• 5 Recipes with 40 freely selectable parameters switchable from the front panel or digital input.</li> <li>• Scrolling parameter help and user messages displayed on event.</li> </ul>
Backup and Configuration Tools	<ul style="list-style-type: none"> <li>• Free Eurotherm iTools software for backup and configuration.</li> <li>• USB Backup cable available for convenient desktop configuration and back up; powers the instrument with or without a sleeve.</li> <li>• iTools also connects using Ethernet Modbus/TCP and serial Modbus RTU.</li> </ul>
“OEM Security”	Helps protect instrument configurations from unauthorized viewing, cloning or backwards engineering.

# Specifications

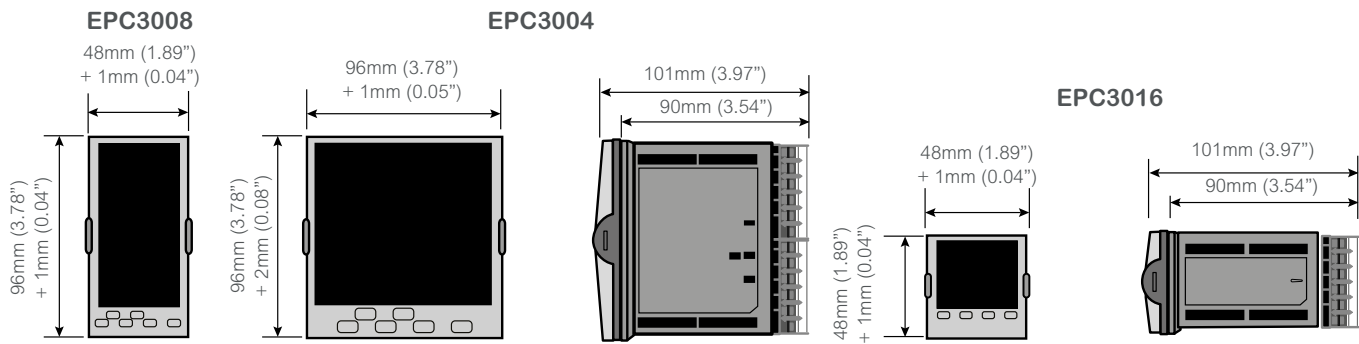
Function Blocks	Function	Standard	Standard Toolkit Blocks	Enhanced Toolkit Blocks
Instrument	Interface to Instrument wide settings	1	-	-
Loop	Enhanced Eurotherm PID Loop	1	-	-
Programmer*	Ramp/Dwell Programmer	1	-	-
BCD	BCD Conversion	1	-	-
Alarm	General purpose analog alarm monitoring	6	-	-
Recipe	General purpose recipe function	1	-	-
Comms*	Interface to serial and Ethernet communications	2	-	-
AI	Interface to main analog input	2	-	-
IP Monitor	Input monitoring (min, max, other functions)	2	-	-
IO*	Interface to Inputs and Outputs	6	-	-
Option DIO*	Digital I/O options	8	-	-
Remote Input	Interface to remote (communications) input	1	-	-
OR	Eight input logical "OR" operation	8	-	-
CT*	Current transformer	1	-	-
Zirconia*	Zirconia Probe input	1	-	-
Wires*	User wiring	50	200	200
Math2	Two input math functions	-	4	8
Lgc2	Two input logical operations	-	4	8
Lgc8	Eight input logical operations	-	2	4
Timer	Timer based functions	-	1	2
SwitchOver	Input switchover	-	1	1
Mux8	Eight Input multiplexer	-	3	4
Total	Totalizer	-	1	1
Counter	Counter block (32-bit)	-	1	2
UsrVal	User values (freely assignable)	-	4	12
Lin16	16 point linearization	-	2	2

\*Dependent on instrument/options ordered

# Specifications

Environmental Specifications, Standards Approvals and Certifications	
Operating Temperature	0 to 55°C (32 to 131°F)
Storage Temperature	-20 to +70°C (-4 to 158°F)
Operating/Storage Humidity	5% to 90% RH non-condensing
Atmosphere	Non-corrosive, non-explosive
Altitude	<2000 meters (6562 feet)
Vibration and Shock	EN 61131-2 (5 to 11.9Hz @ 7mm peak to peak displacement, 11.9-150Hz @ 2g, 0.5 octave min.) EN 60068-2-6 Test FC, Vibration. EN 60068-2-27 Test Ea and guidance, Shock.
Front of Panel Sealing Protection	Standard bezel: EN 60529 IP65, UL50E Type 12 (equivalent to NEMA 12) Washdown bezel: EN 60529 IP66, UL50E Type 4X (indoor use) (equivalent to NEMA 4X)
Rear of Panel Protection	EN 60529 IP10
Electromagnetic Compatibility (EMC)	Emissions HV Power Supply units to EN 61326-1 Class B – Light industrial LV Power Supply units to EN 61326-1 Class A – Heavy industrial
	Immunity EN 61326-1 Industrial
Approvals and Certification	Europe CE, RoHS (EN 50581), REACH, WEEE, EN 14597 TR Type Approval
	USA, Canada UL, cUL. Factory Mutual (FM) Approval Standard for Temperature Limit and Supervisory Switches Class Number 3545 October 98
	China RoHS, CCC: Exempt (Product not listed in catalog of products subject to China Compulsory Certification)
	General When subject to the necessary field calibration, EPC3000 series controllers manufactured by Eurotherm are suitable for use in Nadcap applications in all furnace classes, as defined in AMS2750F clause 3.3.1. Meets accuracy requirements of CQI-9 Achilles® Level 1 CRT Cyber Security Assessment Schneider Electric Green Premium EN ISO 13849-1 Performance Level “C”
Electrical Safety	EN 61010-1 (installation category II, pollution degree 2)

## Mechanical details



Panel cut out and weight			
	EPC3008	EPC3004	EPC3016
Cut Out Dimension	92mm (-0.0 +0.8) x 45mm (-0.0 +0.6) 3.62" (-0.0 +0.03) x 1.77" (-0.0 +0.02)	92mm (-0.0 +0.8) x 92mm (-0.0 +0.8) 3.62" (-0.0 +0.03) x 3.62" (-0.0 +0.03)	45mm (-0.0 +0.6) x 45mm (-0.0 +0.6) 1.77" (-0.0 +0.02) x 1.77" (-0.0 +0.02)
Product Weight	350g 12.34oz	420g 14.81oz	250g 8.81oz

# Specifications

## Inputs and outputs

### I/O and communication types

I/O and Comms	EPC3016	EPC3008/EPC3004
Analog Inputs	<ul style="list-style-type: none"> <li>• 1 universal input 20Hz</li> <li>• 1 auxiliary input 4-20mA, 0-10V 4Hz (option)</li> </ul>	<ul style="list-style-type: none"> <li>• 1 or 2 (option) universal input 20Hz</li> </ul>
Optional I/O Modules:	Up to 2, freely selectable: <ul style="list-style-type: none"> <li>• Form A Relay Output</li> <li>• Logic I/O</li> <li>• DC Analog Output</li> <li>• TRIAC Output</li> </ul>	Up to 3, freely selectable: <ul style="list-style-type: none"> <li>• Form A Relay Output</li> <li>• Logic I/O</li> <li>• DC Analog Output</li> <li>• TRIAC Output</li> </ul>
Form C Relay Output	1	1
Contact Closure Logic Input	1 (option)	2
Logic I/O (Open Collector)	–	4 or 8 (option)
Current Transformer	1 (option)	1
24V Transmitter Power Supply	–	1
Communications	1 of the following options: <ul style="list-style-type: none"> <li>• EIA-485</li> <li>• EIA-422</li> <li>• EIA-232</li> <li>• Modbus RTU slave (EI Bisynch available with serial comms)</li> <li>• Modbus TCP slave</li> <li>• Modbus TCP Slave + EtherNet/IP Server, or Modbus TCP Slave + BACnet Slave</li> <li>• Modbus TCP Master and Slave</li> </ul>	2 of the following options: <ul style="list-style-type: none"> <li>• EIA-485</li> <li>• Modbus (or EI Bisynch) and Modbus TCP</li> <li>• Modbus TCP Slave + EtherNet/IP Server, or Modbus TCP Slave + BACnet Slave</li> <li>• Modbus TCP Master and Slave</li> </ul>

### I/O Specifications

Universal Process Inputs	
Input Types	Thermocouples, Pt100/Pt1000 RTD, 4-20mA, 0-20mA, 10V, 2V, 0.8V, 80mV, 40mV, zirconia (oxygen probe), pyrometers. For other input types, contact your Eurotherm supplier for advice.  Accuracy $\pm 0.1\%$ of reading. When subject to the necessary field calibration, EPC3000 series controllers manufactured by Eurotherm are suitable for use in Nadcap applications in all furnace classes as defined in AMS2750F clause 3.3.1. For further information see <a href="http://eurotherm.com/certificates">eurotherm.com/certificates</a> .
Sample Time	<ul style="list-style-type: none"> <li>• Process Inputs 50ms (20Hz)</li> <li>• Thermocouple 62.5ms (16Hz)</li> <li>• RTD 100ms (10Hz)</li> <li>• Automatic cycle time selection</li> </ul>
Mains Rejection (48-62Hz)	<ul style="list-style-type: none"> <li>• Series mode rejection &gt;80dB.</li> <li>• Common mode rejection &gt;150dB</li> </ul>
Sensor Break	AC sensor break. Break detected within 3 seconds worst case.
Input Filtering	OFF to 60 seconds filter time constant.
User Calibration	User 2 point input adjust (offset/gradient), transmitter output scaling.
Thermocouple	<ul style="list-style-type: none"> <li>• K, J, N, R, S, B, L, T as standard, plus 2 downloadable custom curves</li> <li>• Linearization accuracy: refer to User Guide</li> <li>• Cold Junction (CJ) calibration accuracy: <math>\pm 1.0^{\circ}\text{C}</math> at <math>25^{\circ}\text{C}</math> (<math>\pm 1.8^{\circ}\text{F}</math> at <math>77^{\circ}\text{F}</math>) ambient</li> <li>• CJ ambient rejection ratio: better than 40:1 from <math>25^{\circ}\text{C}</math> ambient</li> <li>• External CJ selectable as 0, 45, <math>50^{\circ}\text{C}</math> or measurable for EPC3004/EPC3008</li> </ul>

# Specifications

## Inputs and outputs

Input Ranges	40mV	80mV	0.8V	2V	10V	RTD (Pt100/ Pt1000)	mA
Range Min	-40mV	-80mV	-800mV	-2V	-10V	0Ω (-200°C; -328°F)	-32mA
Range Max	+40mV	+80mV	+800mV	+2V	+10V	400Ω /4000Ω (850°C; 1562°F)	+32mA
Thermal Stability from 25°C (77°F) Ambient	±0.4µV/°C ±13ppm/°C	±0.4µV/°C ±13ppm/°C	±0.4µV/°C ±13ppm/°C	±0.4µV/°C ±13ppm/°C	±0.8µV/°C ±70ppm/°C	±0.01°C/°C ±25ppm/°C	±0.16µA/°C ±113ppm/°C
Resolution	1.0µV unfiltered	1.6µV	16µV	41µV	250µV	0.05 °C (0.09 °F)	0.6µA
Electrical Noise (peak to peak with 1.6s input filter)	0.8µV	3.2µV	32µV	82µV	250µV	0.05 °C (0.09 °F)	1.3µA
Linearity Accuracy (best fit straight line)	0.003%	0.003%	0.003%	0.003%	0.007%	0.033%	0.003%
Calibration Accuracy @25°C (77°F) ambient	±4.6µV ±0.053%	±7.5µV ±0.052%	±75µV ±0.052%	±420µV ±0.044%	±1.5mV ±0.063%	±0.31°C (0.56°F) ±0.023%	±3µA ±1.052%
Input Resistance	100MΩ	100MΩ	100MΩ	100MΩ	57kΩ	-	2.49Ω (1% Shunt)
Bulb Current	-	-	-	-	-	190µA/ 180µA	-

### Remote Setpoint Auxiliary Analog Input (3016 Only)

Range 0 to 10V and 4 to 20mA. Max ranges -1V to 11V and 3.36mA to 20.96mA

Accuracy <±0.25% of reading ± 1LSD, 14 Bits

Sample Rate 4Hz (250ms)

Functions

- Remote setpoint input
- Auxiliary analog input

Thermal Stability 100ppm (typical) < 150ppm (worst case)

Mains Rejection Common Mode 48-62Hz > 120dB, Series Mode > 90dB

Input Impedance Voltage 223kΩ. Current 2.49Ω

### Current Transformer Input

Input Range

- 0-50mA RMS, 48-62Hz
- 10Ω burden resistor fitted inside module

Measurement Scaling 10, 25, 50 or 100 Amps

Calibration Accuracy <1% of reading (typical) <4% of reading (worst case)

Input Functions

- Partial load failure. SSR open or short circuit.
- Other functions including power usage totalization available using soft wiring.

### Contact Closure Logic Inputs

Thresholds Open > 400Ω, Closed < 100Ω

Input Functions

- Auto/Manual select
- SP2 select
- Integral hold
- Control inhibit
- Program run functions
- Keylock
- Recipe select
- PID select
- BCD bit
- Autotune enable
- Standby
- PV select plus other functions available using soft wiring.

## Inputs and outputs

### Logic I/O Modules

Output Rating	ON 12Vdc 44mA max. Minimum control cycle time 50ms (auto)	
Output Functions	Time proportioned heat, time proportioned cool. SSR drive alarm and event outputs, interlock outputs, other functions available using soft wiring.	
Contact Closure (input)	Open 500Ω, Closed 150Ω	
Input Functions	<ul style="list-style-type: none"> <li>• Auto/Manual select</li> <li>• SP2 select</li> <li>• Integral hold</li> <li>• Control inhibit</li> <li>• Program run functions</li> <li>• Keylock</li> </ul>	<ul style="list-style-type: none"> <li>• Recipe select</li> <li>• PID select</li> <li>• BCD bit</li> <li>• Autotune enable</li> <li>• Standby</li> <li>• PV select plus other functions available using soft wiring.</li> </ul>

### Logic I/O Open Collector Type (EPC3004/EPC3008 only)

External DC Power Supply	15V to 35Vdc	
Output Limit	Maximum current sinking 40mA	
Output Functions	Alarm and event outputs, interlock outputs, other functions available using soft wiring. Cannot be used as a control output.	
Voltage Sensing Input	OFF < 1V, ON > 4V. Max 35V, Min -1V	
Contact Closure Input	OFF > 28KΩ, ON < 100Ω	
Input Functions	<ul style="list-style-type: none"> <li>• Auto/Manual select</li> <li>• SP2 select</li> <li>• Integral hold</li> <li>• Control inhibit</li> <li>• Program run functions</li> <li>• Keylock</li> </ul>	<ul style="list-style-type: none"> <li>• Recipe select</li> <li>• PID select</li> <li>• BCD bit</li> <li>• Autotune enable</li> <li>• Standby</li> <li>• PV select plus other functions available using soft wiring.</li> </ul>

### Relays (Form A Modules and Form C built in)

Types	Form A (normally open) Form C (changeover)
Output Functions	Time proportioned heat, time proportioned cool. SSR drive. Direct valve raise/lower. Alarm and event outputs, interlock outputs, other functions available using soft wiring.
Rating	Min 100mA @ 12V, Max 2A @ 264V AC resistive. External suppression device ("snubber") recommended.

### TRIAC Module

Rating	Min 40mA, 30V RMS, Max 0.75A @ 264V AC resistive.
Output Functions	Time proportioned heat, time proportioned cool. SSR drive alarm and event outputs, interlock outputs, other functions available using soft wiring.
Surge Rating	Max current surge 30A (<10ms) Max continuous operating voltage 540V peak, 385V RMS. Max surge voltage 800V peak, 565V RMS (< 10ms).

### Isolated DC Analog Output Module

	Current Output	Voltage Output
Range	0-20mA	0-10V
Load Resistance	<550Ω	>450Ω
Calibration Accuracy	±(0.5% of reading + 100μA offset)	±(0.5% of reading + 50mV offset)
Resolution	13.5 bit resolution	13.5 bit resolution
Output Functions	<ul style="list-style-type: none"> <li>• SCR/Power control drive</li> <li>• Proportional valve</li> <li>• Retransmission to chart recorder or other instrumentation</li> <li>• Other functions using soft wiring</li> </ul>	
Digital Input (DI), where configured	The DC output module can be configured as contact closure input see "I/O List (io)" in User Guide (HA032842). In this case: <ul style="list-style-type: none"> <li>• Retransmission to chart recorder or other instrumentation</li> <li>• Other functions using soft wiring</li> </ul>	

# Specifications

## Power, communications and operator interface

### Power and transmitter power supply

#### Power Supply, AC Supply Measurement and Transmitter Power Supply

Controller Supply Voltage	100-230Vac +/- 15%, 48 to 62Hz or 24Vac +10%/-15%, 48 to 62Hz or 24Vdc +20%/-15%, max 5% ripple voltage.
Power Supply Rating	EPC3016 Controller 6W EPC3008/3004 Controller 9W
Power Measurement	Only available in 100-230Vac powered instruments. Measures direct from power supply (no additional connections). Uncalibrated. Electrical noise 0.5V filtered, used by the PID function for power feedforward.
Transmitter Power Supply	24Vdc. 2 to 28mA load. Isolated from system (300V AC double insulation) (EPC3004/EPC3008 only)

### Communications

#### Communications

Ethernet	<ul style="list-style-type: none"> <li>• Shielded grounded RJ45 connection supporting 10/100BASE-T auto-sensing</li> <li>• Certified to Achilles® communications robustness testing level 1</li> <li>• Modbus/TCP, BACnet and EtherNet/IP Protocols</li> <li>• Fixed IP address or DHCP</li> <li>• Bonjour Auto-Discovery</li> </ul>
Serial	<ul style="list-style-type: none"> <li>• EIA-485 Half duplex</li> <li>• EIA-422/EIA-232 Full duplex</li> <li>• Baud Rates 4800 (EI-Bisynch only), 9600, 19200</li> <li>• Modbus RTU 8 data bits, odd/even/no parity selectable</li> <li>• EI-Bisynch 7 data bits even parity fixed</li> </ul>

### Operator Interface

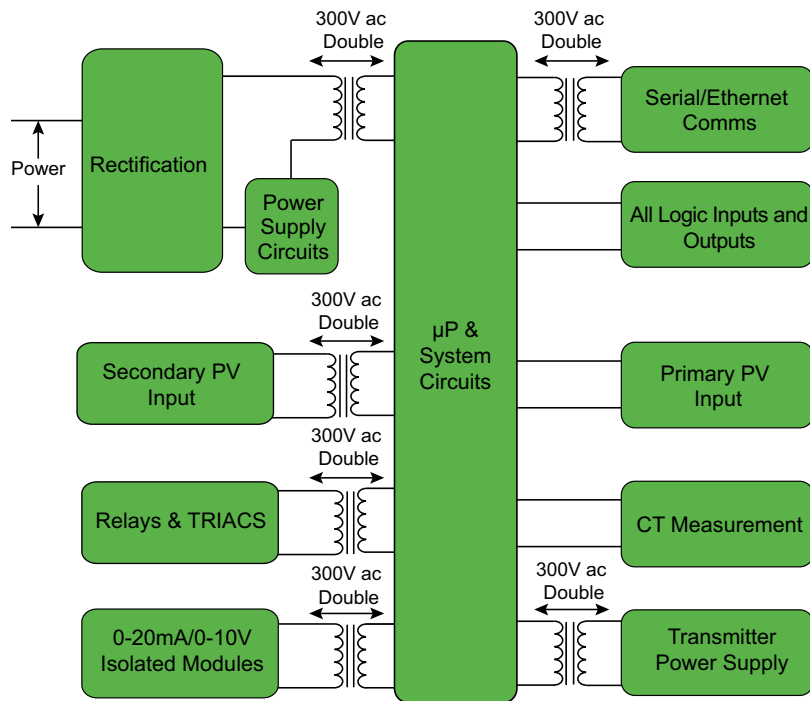
#### Display and Operation

Type	High visibility LCD with backlight. Flat "washdown" membrane bezel with superior panel sealing, or sculpted bezel with fully tactile keys.
Keyboard	100,000 operations typical
Main PV	<ul style="list-style-type: none"> <li>• EPC3016 4 digits, 3 decimal places</li> <li>• EPC3008 4.5 digits, 4 decimal places</li> <li>• EPC3004 5 digits, 4 decimal places; green/red bicolor (red in alarm)</li> </ul>
Second Line (EPC3004/EPC3008 only)	5 character 16 segment text or numeric
Third Line	16 segment scrolling text or numeric display
Text Character sets	Roman, Simplified Cyrillic
Additional Display Functions	<ul style="list-style-type: none"> <li>• Program status indicator (ramp up, ramp down or dwell)</li> <li>• Output indicators</li> <li>• Alarm indication</li> <li>• Units</li> <li>• Bar graph (EPC3004, EPC3008 Controllers only)</li> <li>• Communications activity indicator</li> </ul>
HMI Functions	<ul style="list-style-type: none"> <li>• Configurable display contents</li> <li>• Configurable scroll lists for operator/supervisor</li> <li>• Configurable scrolling event messages</li> <li>• Passcode level protection with lockout period</li> <li>• 2 Programmable function keys (EPC3004, EPC3008 Controllers only)</li> </ul>

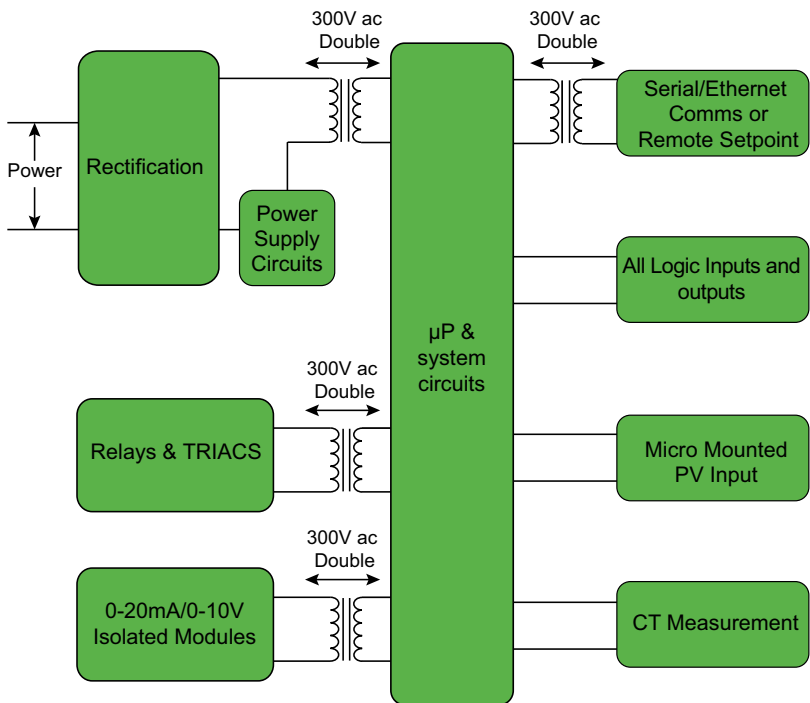


# Specifications

## EPC3008/EPC3004 isolation



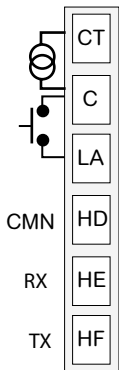
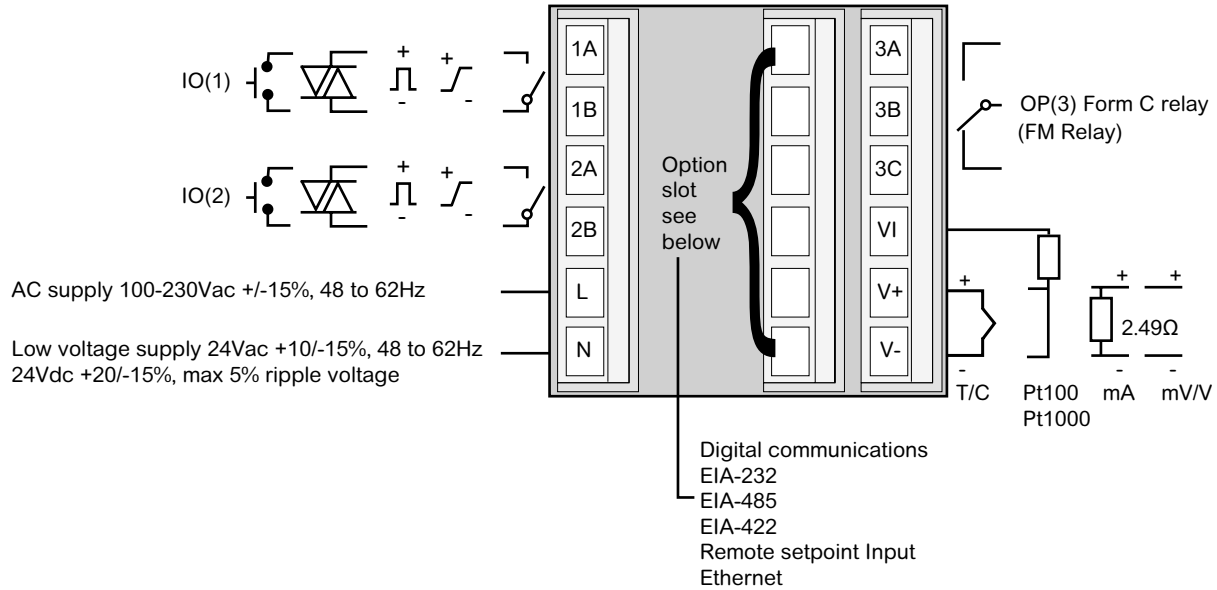
## EPC3016 isolation



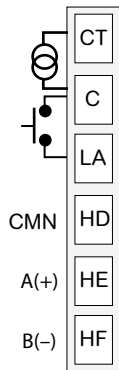
# Specifications

## Rear terminals

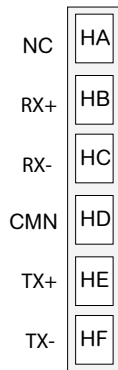
EPC3016



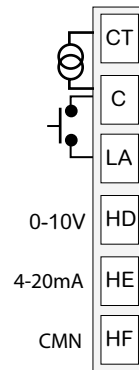
EIA-232  
CT INPUT  
DIGITAL INPUT



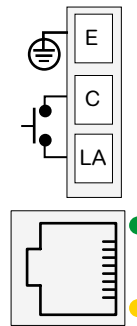
EIA-485  
CT INPUT  
DIGITAL INPUT



EIA-422



RSP INPUT  
CT INPUT  
DIGITAL INPUT



ETHERNET  
DIGITAL INPUT

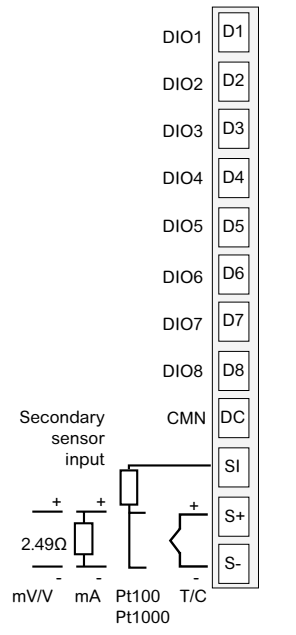
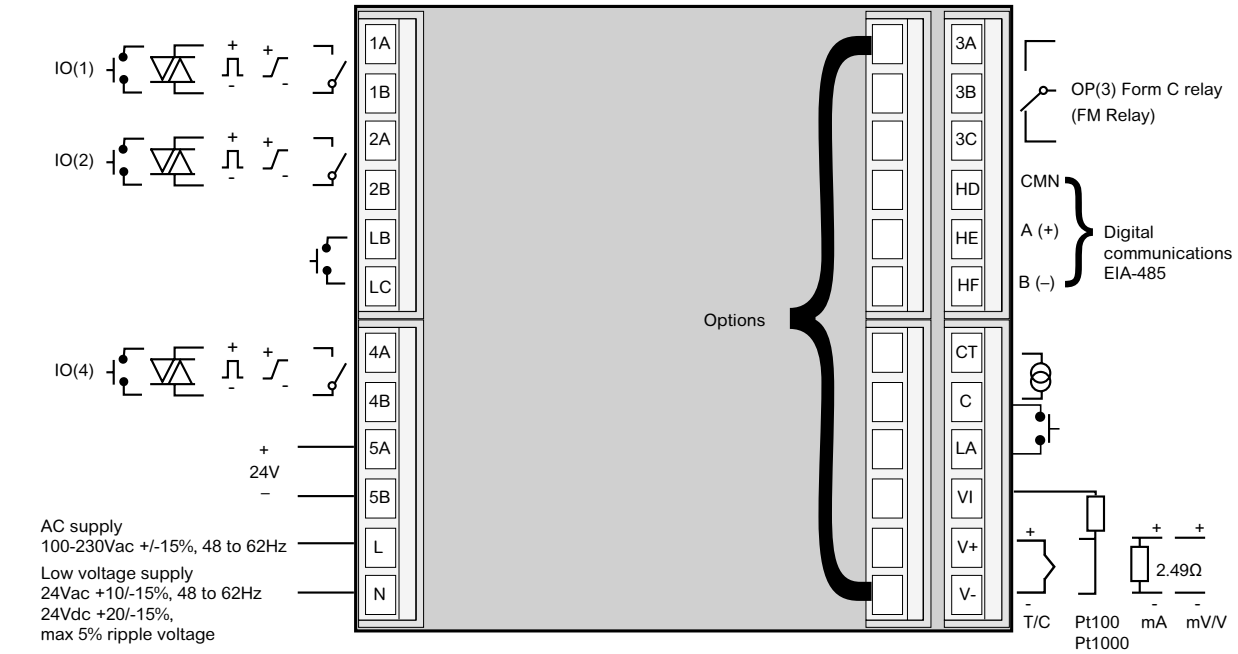
### Key to Symbols Used in Wiring Diagrams

	Logic Output (SSR drive)		Relay Output		Contact Input
	0-10V/0-20mA Analog Output		TRIAC Output		Current Transformer Input

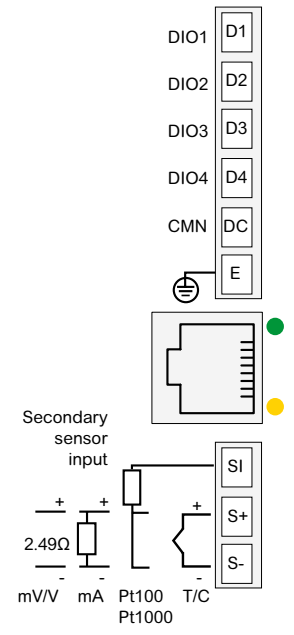
# Specifications

## Rear terminals

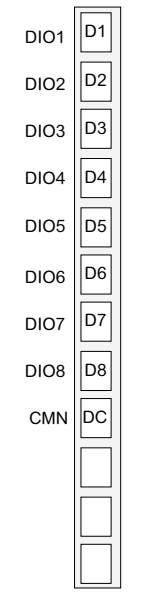
EPC3004 / EPC3008



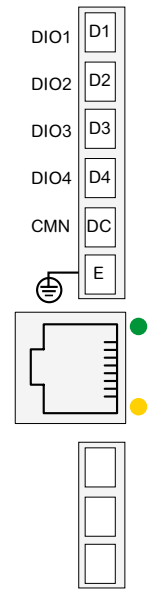
PV INPUT  
8 x DIGITAL IN / OUT



PV INPUT  
ETHERNET  
4 x DIGITAL IN / OUT



8 x DIGITAL IN / OUT



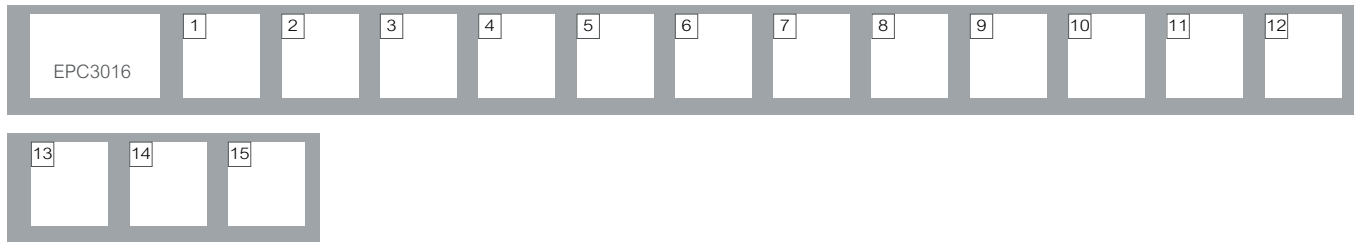
ETHERNET  
4 x DIGITAL IN / OUT

### Key to Symbols Used in Wiring Diagrams

	Logic Output (SSR drive)		Relay Output		Contact Input
	0-10V/0-20mA Analog Output		TRIAC Output		Current Transformer Input

# Specifications

## Order codes EPC3016



Model	
<b>EPC3016</b>	1/16 DIN Controller
<b>Note</b>	Includes one Universal PV Input and one Form C Relay

1 Type	
<b>CC</b>	Controller Only
<b>CP</b>	1 x 8 Segment Basic Programmer
<b>P1</b>	1 x 24 Segment Advanced Programmer
<b>P10</b>	10 x 24 Segment Advanced Programmer
<b>P20</b>	20 x 8 Segment Advanced Programmer
<b>FM</b>	Factory Mutual Hi or Lo Limit Function
<b>Note</b>	The EPC3000 FM version uses main PV input and fixed Form C Relay 3 as the FM relay. No other hardware options are required, however they may be added for non-FM functions.

2 Supply Voltage	
<b>VH</b>	100 - 230Vac +/-15% (48 to 62Hz)
<b>VL</b>	24Vac +10%, -15% (48 to 62 Hz); 24Vdc +20, -15%; 5% Ripple

3 I/O 1	
<b>XX</b>	Not Fitted
<b>L2</b>	Logic
<b>R1</b>	Relay Output (Without Snubber)
<b>R2</b>	Relay (Supplied With External Snubber)
<b>D1</b>	DC Output
<b>T1</b>	TRIAC (Without Snubber)
<b>T2</b>	TRIAC (Supplied With External Snubber)

4 I/O 2	
<b>XX</b>	Not Fitted
<b>L2</b>	Logic
<b>R1</b>	Relay Output (Without Snubber)
<b>R2</b>	Relay (Supplied With External Snubber)
<b>D1</b>	DC Output
<b>T1</b>	TRIAC (Without Snubber)
<b>T2</b>	TRIAC (Supplied With External Snubber)

5 Future	
<b>X</b>	Not Fitted

6 Future	
<b>XX</b>	Future

7 Serial Communications Protocol	
<b>XX</b>	Modbus Slave (Default) Or None
<b>EI</b>	EI-Bisynch Comms
<b>SM</b>	Modbus Master and Slave
<b>Note</b>	Use of a serial communications protocol requires purchase of "C1", "C2" or "C3" option in field 8.

8 Ethernet, Communications & Remote SP	
<b>XX</b>	None (Default)
<b>C1</b>	CT Input, Contact Closure Digital Input, and EIA-232
<b>C2</b>	CT Input, Contact Closure Digital Input, and EIA-485 (3 Wire)
<b>C3</b>	EIA-422 Only (5 Wire)
<b>CR</b>	CT Input, Contact Closure Digital Input, RSP Input
<b>CE</b>	Contact Closure Digital Input, Ethernet

9 Ethernet (TCP) Communications Protocol	
<b>XX</b>	Modbus TCP Slave (Default) Or None
<b>ES</b>	EtherNet/IP Server and Modbus TCP Slave
<b>BS</b>	BACnet Slave and Modbus TCP Slave
<b>TM</b>	Modbus TCP Master and Slave
<b>Note</b>	Use of an ethernet communications protocol requires purchase of "CE" in field 8.

10 Tool Kit Blocks	
<b>XX</b>	None (Default 50 Wires)
<b>TK</b>	Standard (Includes 200 Wires)
<b>ETK</b>	Enhanced (Includes 200 Wires)

11 OEM Security	
<b>XXX</b>	None (Default)
<b>OEM</b>	OEM Security

12 Bezel	
<b>ST</b>	Standard
<b>WD</b>	Washdown

13 Labels	
<b>XXXXX</b>	None (Default)
<b>Fnnnn</b>	Custom Label

14 Specials	
<b>XXXXXX</b>	None (Default)

15 Gain scheduling Sets	
<b>XX</b>	Two Gain Scheduling Sets (Default)
<b>08</b>	Eight Gain Scheduling Sets

# Quick start codes EPC3016



16 Application	
X	None
1	Heat Only
2	Heat/Cool
V	VPU
H	FM Hi Limit Function
L	FM Lo Limit Function
<b>Note</b>	Options, "1", "2" and "V" are available only if the "Type" (Field 1) is not set to "FM". Options "H" and "L" are only available for the FM Type.

17 Input 1 Sensor Type	
X	Not Required
M	Linear 0 to 80mVdc
V	Linear 0 to 10Vdc
2	Linear 0 to 20mA
4	Linear 4 to 20mA
B	Type B Thermocouple
J	Type J Thermocouple
K	Type K Thermocouple
L	Type L Thermocouple
N	Type N Thermocouple
R	Type R Thermocouple
S	Type S Thermocouple
T	Type T Thermocouple
P	Pt100
W	Pt1000

18 Input 1 Range	
X	Not Required
F	Full Range
1	0 to 100°C or 32 to 212°F or 273 to 373K
2	0 to 200°C or 32 to 392°F or 273 to 473K
3	0 to 400°C or 32 to 752°F or 273 to 673K
4	0 to 600°C or 32 to 1112°F or 273 to 873K
5	0 to 800°C or 32 to 1472°F or 273 to 1073K
6	0 to 1000°C or 32 to 1832°F or 273 to 1273K
7	0 to 1200°C or 32 to 2192°F or 273 to 1473K
8	0 to 1300°C or 32 to 2552°F or 273 to 1573K
9	0 to 1600°C or 32 to 2912°F or 273 to 1873K
A	0 to 1800°C or 32 to 3272°F or 273 to 2073K

19 Future	
X	Future

20 Future	
XX	Future

21 CT Input Range	
X	Not Used
1	10A
2	25A
5	50A
6	100A
7	1000A

22 Digital Input A Function (See Note 1)	
X	Not Used
W	Alarm Acknowledge
M	Auto/Manual
R	Programmer Run/Hold
L	Keylock
K	Loop Track
P	Local Setpoint Select
T	Programmer Reset
U	Remote Setpoint Select
V	Recipe Select
<b>Note</b>	Requires purchase of Communications Option (Field 8) with "Digital Input".

23 Future	
XX	Future

24 Future	
XX	Future

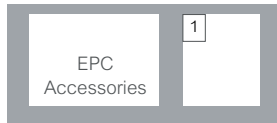
25 Units	
X	Use Default (Degrees Celsius)
C	Degrees Celsius
F	Degrees Fahrenheit
K	Kelvin

26 Future	
XX	Future

27 Warranty	
XX	Standard Warranty

28 Certificate of Conformity	
XX	None Required
CERT1	Supplied With Certificate of Conformity

## Accessory order codes



Model	
EPCACC	EPC Accessories

1 Accessories	
RES2R9	2.49Ω Resistor
RES250	250Ω Resistor
RES500	500Ω Resistor
SNUBBER	RC SNUBBER
USBCONF	USB Backup Lead
CTR10A	Current Transformer 10A Primary
CTR25A	Current Transformer 25A Primary
CTR50A	Current Transformer 50A Primary
CTR100A	Current Transformer 100A Primary
ITools	iTools configuration Software

# Order codes EPC3008/EPC3004

EPC3008 EPC3004	1	2	3	4	5	6	7	8	9	10	11	12
	13	14	15									

Model	
<b>EPC3008</b>	1/8 DIN Controller
<b>EPC3004</b>	1/4 DIN Controller
<b>Note</b>	I/O supplied as standard includes one Universal PV Input, EIA-485 Modbus RTU Slave Communications, 1 Form C Relay, 2x Contact Closure Digital Inputs, 1 Current Transformer Input, and 24Vdc Transmitter Power Supply.

1 Type	
<b>CC</b>	Controller Only
<b>CP</b>	1 x 8 Segment Basic Programmer
<b>P1</b>	1 x 24 Segment Advanced Programmer
<b>P10</b>	10 x 24 Segment Advanced Programmer
<b>P20</b>	20 x 8 Segment Advanced Programmer
<b>FM</b>	Factory Mutual Hi or Lo Limit Function
<b>Note</b>	Basic FM unit uses main PV input and fixed Form C Relay 3 as the FM relay. No other hardware options are required, however they may be added for non-FM functions.

2 Supply Voltage	
<b>VH</b>	100 - 230Vac +/-15% (48 to 62Hz)
<b>VL</b>	24Vac +10%, -15% (48 to 62 Hz); 24Vdc +20, -15%; 5% Ripple

3 I/O 1	
<b>XX</b>	Not Fitted
<b>L2</b>	Logic
<b>R1</b>	Relay Output (Without Snubber)
<b>R2</b>	Relay (Supplied With External Snubber)
<b>D1</b>	DC Output
<b>T1</b>	TRIAC (Without Snubber)
<b>T2</b>	TRIAC (Supplied With Snubber)

4 I/O 2	
<b>XX</b>	Not Fitted
<b>L2</b>	Logic
<b>R1</b>	Relay Output (Without Snubber)
<b>R2</b>	Relay (Supplied With External Snubber)
<b>D1</b>	DC Output
<b>T1</b>	TRIAC (Without Snubber)
<b>T2</b>	TRIAC (Supplied With External Snubber)

5 I/O 4	
<b>XX</b>	Not Fitted
<b>L2</b>	Logic
<b>R1</b>	Relay Output (Without Snubber)
<b>R2</b>	Relay Output (Supplied With External Snubber)
<b>D1</b>	DC Output
<b>T1</b>	TRIAC (Without Snubber)
<b>T2</b>	TRIAC (Supplied With External Snubber)

6 Future	
<b>XX</b>	Future

7 Serial Communications Protocol	
<b>XX</b>	Modbus Slave (Default)
<b>EI</b>	EI-Bisynch Comms
<b>SM</b>	Modbus Master and Slave
<b>Note</b>	EIA-485 serial communications is provided as standard for EPC3008 and EPC3004. No additional option purchase is required to use serial communications protocols.

8 Ethernet, Communications & Remote SP	
<b>XX</b>	None (Default)
<b>I8</b>	Second PV Input; 8 Digital Input/Outputs
<b>D8</b>	8 Digital Input/Outputs Only
<b>E4</b>	Ethernet (Modbus TCP Slave) 4 x Digital I/O Only
<b>IE</b>	Second PV Input; Ethernet (Modbus TCP Slave) + 4 x Digital I/O
<b>Note</b>	Digital I/O on Ethernet, 2nd Input & Option I/O cannot be used for PID control output.

9 Ethernet (TCP) Communications Protocol	
<b>XX</b>	Modbus TCP Slave (Default) or None
<b>ES</b>	EtherNet/IP Server and Modbus TCP Slave
<b>BS</b>	BACnet Slave and Modbus TCP Slave
<b>TM</b>	Modbus Master and Slave
<b>Note</b>	Use of Ethernet communications protocols requires purchase of Ethernet Communications (field 8) options "E4" or "IE".

10 Tool Kit Blocks	
<b>XX</b>	None (Default 50 Wires)
<b>TK</b>	Standard (Includes 200 Wires)
<b>ETK</b>	Enhanced (Includes 200 Wires)

11 OEM Security	
<b>XXX</b>	None (Default)
<b>OEM</b>	OEM Security

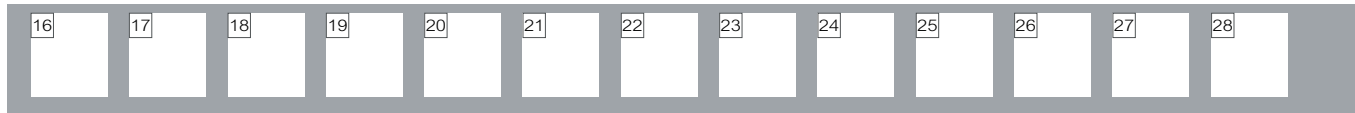
12 Bezel	
<b>ST</b>	Standard
<b>WD</b>	Washdown

13 Labels	
<b>XXXXX</b>	None (Default)
<b>Fnnnn</b>	Custom Label

14 Specials	
<b>XXXXXX</b>	None (Default)

15 Gain scheduling Sets	
<b>XX</b>	Two Gain Scheduling Sets (Default)
<b>08</b>	Eight Gain Scheduling Sets

# Quick start codes EPC3008/EPC3004



16 Application	
<b>X</b>	None (Exit Quick Code)
<b>1</b>	Heat Only (Default) 1,2,V,C,D all add (note 5)
<b>2</b>	Heat/ Cool
<b>V</b>	VPU Heat Only
<b>C</b>	Carbon Potential Controller (Requires PV2 and Zirconia)
<b>D</b>	Dew Point Controller (Requires PV2 and Zirconia)
<b>H</b>	FM Hi Limit Function
<b>L</b>	FM Lo Limit Function
<b>Note</b>	Options, "1", "2", "V", "C" and "D" are available only if the "Type" (Field 1) is not set to "FM". Options "H" and "L" are only available for the FM Type..

17 Input 1 Sensor Type	
<b>X</b>	Not Required
<b>M</b>	Linear 0 to 80mVdc
<b>V</b>	Linear 0 to 10Vdc
<b>2</b>	Linear 0 to 20mA
<b>4</b>	Linear 4 to 20mA
<b>B</b>	Type B Thermocouple
<b>J</b>	Type J Thermocouple
<b>K</b>	Type K Thermocouple
<b>L</b>	Type L Thermocouple
<b>N</b>	Type N Thermocouple
<b>R</b>	Type R Thermocouple
<b>S</b>	Type S Thermocouple
<b>T</b>	Type T Thermocouple
<b>P</b>	Pt100
<b>W</b>	Pt1000

18 Input 1 Range	
<b>X</b>	Not Required
<b>F</b>	Full Sensor range
<b>1</b>	0 to 100°C or 32 to 212°F or 273 to 373K
<b>2</b>	0 to 200°C or 32 to 392°F or 273 to 473K
<b>3</b>	0 to 400°C or 32 to 752°F or 273 to 673K
<b>4</b>	0 to 600°C or 32 to 1112°F or 273 to 873K
<b>5</b>	0 to 800°C or 32 to 1472°F or 273 to 1073K
<b>6</b>	0 to 1000°C or 32 to 1832°F or 273 to 1273K
<b>7</b>	0 to 1200°C or 32 to 2192°F or 273 to 1473K
<b>8</b>	0 to 1300°C or 32 to 2552°F or 273 to 1573K
<b>9</b>	0 to 1600°C or 32 to 2912°F or 273 to 1873K
<b>A</b>	0 to 1800°C or 32 to 3272°F or 273 to 2073K

19 Input 2 Sensor Type	
<b>X</b>	Not Required
<b>M</b>	Linear 0 to 80mVdc
<b>V</b>	Linear 0 to 10Vdc
<b>2</b>	Linear 0 to 20mA
<b>4</b>	Linear 4 to 20mA
<b>B</b>	Type B Thermocouple
<b>J</b>	Type J Thermocouple
<b>K</b>	Type K Thermocouple
<b>L</b>	Type L Thermocouple
<b>N</b>	Type N Thermocouple
<b>R</b>	Type R Thermocouple
<b>S</b>	Type S Thermocouple
<b>T</b>	Type T Thermocouple
<b>P</b>	Pt100
<b>W</b>	Pt1000
<b>Z</b>	Zirconia (HiZ)
<b>Note</b>	Requires purchase of second input (field 8), either "I8" or "IE".

20 Input 2 Range (See note 7)	
<b>X</b>	Not Required
<b>F</b>	Full range
<b>1</b>	0 to 100°C or 32 to 212°F or 273 to 373K
<b>2</b>	0 to 200°C or 32 to 392°F or 273 to 473K
<b>3</b>	0 to 400°C or 32 to 752°F or 273 to 673K
<b>4</b>	0 to 600°C or 32 to 1112°F or 273 to 873K
<b>5</b>	0 to 800°C or 32 to 1472°F or 273 to 1073K
<b>6</b>	0 to 1000°C or 32 to 1832°F or 273 to 1273K
<b>7</b>	0 to 1200°C or 32 to 2192°F or 273 to 1473K
<b>8</b>	0 to 1300°C or 32 to 2552°F or 273 to 1573K
<b>9</b>	0 to 1600°C or 32 to 2912°F or 273 to 1873K
<b>A</b>	0 to 1800°C or 32 to 3272°F or 273 to 2073K
<b>Note</b>	Requires purchase of second input (field 8), either "I8" or "IE".

21 CT Input Range	
<b>X</b>	Not Used
<b>1</b>	10A
<b>2</b>	25A
<b>5</b>	50A
<b>6</b>	100A
<b>7</b>	1000A

22 Digital Input A Function	
<b>X</b>	Not Used
<b>W</b>	Alarm Acknowledge
<b>M</b>	Auto/Manual
<b>R</b>	Programmer Run/Hold
<b>L</b>	Keylock
<b>K</b>	Loop Track
<b>P</b>	Local Setpoint Select
<b>T</b>	Programmer Reset
<b>U</b>	Remote Setpoint Select
<b>V</b>	Recipe Select

23 Digital Input B Function	
<b>X</b>	Not Used
<b>W</b>	Alarm Acknowledge
<b>M</b>	Auto/Manual
<b>R</b>	Programmer Run/Hold
<b>L</b>	Keylock
<b>K</b>	Loop Track
<b>P</b>	Local Setpoint Select
<b>T</b>	Programmer Reset
<b>U</b>	Remote Setpoint Select
<b>V</b>	Recipe Select

24 Programmer I/O Configuration	
<b>X</b>	Not Used/Fitted
<b>1</b>	D1 to D8 Programmer Event Outputs 1 to 8
<b>2</b>	D1 to D4 = Programmer Event Outputs 1 to 4, D5 to D7 = BCD Inputs 1 to 3, D8 = Programmer Run/Hold. BCD Output to Program Number
<b>3</b>	D1 to D4 = Programmer Event outputs 1 to 4, D5 to D8 Programmer Run, Hold, Reset, Advance Respectively
<b>4</b>	D1 to D4 = Programmer Event inputs 1 to 4, D5 to D7 Programmer Run/Hold, Reset, Advance Respectively, D8 Not Used. BCD Output to Program Number
<b>5</b>	D1 to D8 = BCD Inputs 1 to 8. BCD Output to Recipe Recall
<b>6</b>	D1 to D4 = BCD Inputs 1 to 4, D5 - D8 = Not used. BCD Output to Recipe Recall
<b>7</b>	D1 to D4 Programmer Run, Hold, Reset, Advance Respectively, D5 - D8 = Not used
<b>8</b>	D1 to D3 Programmer Run, Hold, Reset Respectively, D4 - D8 = Not Used
<b>9</b>	D1 to D4 = Programmer Event Outputs, D5 to D8 = Not Used
<b>Note</b>	Requires purchase of option I/O (field 8), either "I8", "D8", "E4" or "IE". Not available for EPC3000 FM versions.

25 Units	
<b>X</b>	Use Default (Degrees Celsius)
<b>C</b>	Degrees Celsius
<b>F</b>	Degrees Fahrenheit
<b>K</b>	Kelvin

26 Future	
<b>XX</b>	Future

27 Warranty	
<b>XX</b>	Standard Warranty

28 Certificate of Conformity	
<b>XX</b>	None Required
<b>CERT1</b>	Supplied With Certificate of Conformity

[eurotherm.com/epc3000](http://eurotherm.com/epc3000)



Life Is On

Schneider Electric

## Eurotherm USA

44621 Guilford Drive, Suite 100  
20147 Ashburn, VA  
USA

Phone: +1-703-724-7300

Document Number HA032952USA Issue 10

©2021 Schneider Electric. All Rights Reserved. Life Is On, Schneider Electric, EcoStruxure, Eurotherm, EurothermSuite, EFit, EPack, EPower, Eycon, Chessell, Mini8, nanodac, piccolo and versadac are trademarks and property of Schneider Electric SE, its subsidiaries and affiliated companies. All other trademarks are the property of their respective owners.