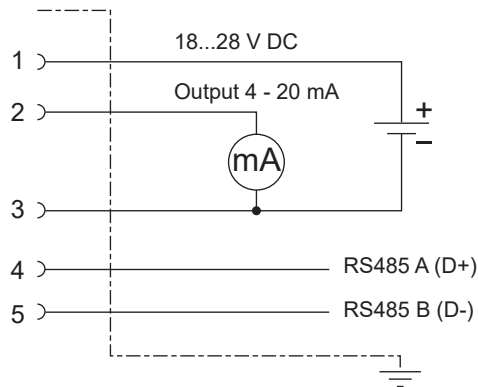
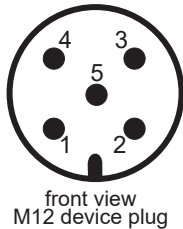


QUICK GUIDE

EE355 - Dew Point Sensor down to -60 °C Td (-76 °F Td)

(Full User Manual at www.epluse.com/ee355)

Electrical Connection



Please note:

To meet the EMC Directive 2014/30/EU a shielded connection cable must be used.

Pin number	Function	Wire colours for accessory: - Connection cable HA010819/20/21
1	Supply voltage	brown
2	Output 4 - 20 mA	white
3	GND	blue
4	RS485 A (D+)	black
5	RS485 B (D-)	grey

Modbus Setup

Factory default setup:

Baudrate	Data	Parity	Stop bits	Modbus adress
9600	8	Even	One	243

Device address, baud rate, parity and stop bits can be set via:

- EE-PCS, Product Configuration Software and the appropriate configuration cable HA011013.
The EE-PCS can be downloaded free of charge from www.epluse.com/Configurator.
- Modbus protocol in the register 60001 (0x00) and 60002 (0x01).
See Application Note Modbus AN0103 (available on www.epluse.com/ee355)

INFO (read register):		
Parameter	Register number ¹⁾ [DEC]	Protocol Address ²⁾ [HEX]
Read register: function code 0x03 / 0x04		
Serial number (as ASCII)	1	0x00
Firmware version	9	0x08
INTEGER 16 bit		
Parameter	Register number ¹⁾ [DEC]	Protocol Address ²⁾ [HEX]
Write register: function code 0x06		
Modbus address (Slave ID)	1	0x00
Modbus protocol settings ³⁾	2	0x01

1) Register number starts from 1.

2) Protocol address starts from 0.

3) For Modbus protocol settings see Application Note Modbus AN0103 (available on www.epluse.com/ee355).

Modbus Register Map

FLOAT 32 bit:				
Parameter	SI Unit	US/GB Unit	Register number ¹⁾ [Dec]	Register address ²⁾ [HEX]
<i>Read register: function code 0x03 / 0x04</i>				
Temperature T	°C	°F	26	0x19
Relative humidity RH, Uw	%RH	%RH	28	0x1B
Water vapour partial pressure e'	mbar	psi	30	0x1D
Dew point temperature Td	°C	°F	32	0x1F
Frost point temperature Tf	°C	°F	42	0x29
Volume concentration Wv	ppm	ppm	60	0x3B
INTEGER 16 bit:				
Parameter			Register number ¹⁾ [Dec]	Register address ²⁾ [HEX]
<i>Read register: function code 0x03 / 0x04</i>				
State of auto-calibration			501	0x1F4
0 ... normal operation				
1 ... auto-calibration active				
<i>Write register: function code 0x06</i>				
Modbus address (Slave ID)			1	0x00
RS485 data transmission			2	0x01

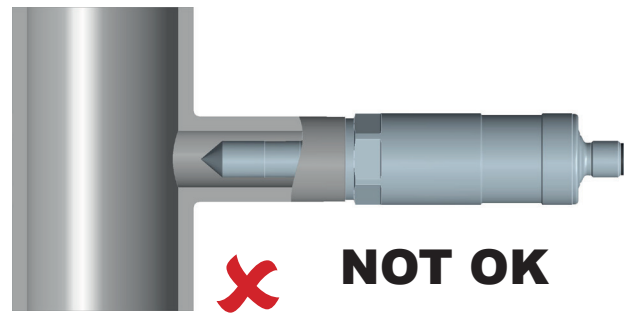
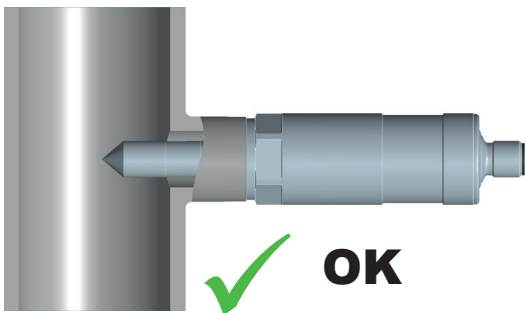
1) Register number starts from 1.

2) Register address starts from 0.

Installation



i **Please note:**
 Remove the protection cap just before installation.



INFORMATION

+43 7235 605 0 / info@epluse.com

E+E Elektronik Ges.m.b.H.
 Langwiesen 7 • 4209 Engerwitzdorf • Austria
 Tel: +43 7235 605-0 • Fax: +43 7235 605-8
info@epluse.com • www.epluse.com

LG Linz Fn 165761 t • VAT No. ATU44043101
 Place of Jurisdiction: A-4020 Linz • DVR0962759

