



## AW FLOW METERS

# DSV-100 I/P Converter



### Technical Specifications:

- Digital processing
- Programmable set-up
- Pressure rating up to 100 PSI
- Din Rail or Panel Mount
- Integral LED display modes
- Lightweight compact design
- Multiple input modes
- Front touch key control

### **What is a DSV-100 I/P Converter?**

The DSV-100 I/P Converter is a compact high performance digital servo pressure control valve. Accepting either current, voltage or touch key input, the I/P Converter precisely regulates air pressure for directing process control valves and air or fluid regulators. The microprocessor-based converter delivers high accuracy pressure regulation with extremely low dynamic response times for improved process control and high product quality. A highly visible integral LED display eliminates the need to any additional display components, providing a display of actual pressure, set point pressure or the actual pressure deviation from set point. Additional diagnostic test modes measure the system response time or checks for line leaks providing actual real-time data invaluable in commissioning, monitoring or troubleshooting an installation. User set-up of output pressure range and input voltage or current-span is accomplished quickly and easily via the two touch keys and display. The lightweight design and compact DIN rail mount package maximizes panel component density while the push-in type 1/4" pneumatic hose connectors and 5 pin style electrical connection with molded cable assemblies minimize installation time and cost.



# AW FLOW METERS

## DSV-100 Series I/P Converter

### Converter Technical Data

**Power Requirements:**

Supply Voltage 10 - 24 VDC  
 Supply Current 85 mA. @ 15 VDC

**Signal Output:**

Pressure Signal 0-5 VDC  
 (Actual pressure, 0 to 100% of programmed output range)

**Signal Inputs:**

Voltage Input 0-5, 0-10 or 1-5 VDC  
 Voltage Input Impedance 10 Kohm  
 Current Input 0-20 mA, 4-20 mA  
 Current Input Impedance 250 ohm

**Specifications:**

Pressure Range 0-100 psig  
 Output Pressure 0-100% (programmable)  
 Flow Rate, 100 psig @ Inlet 0.6 SCFM max  
 Recommended Filtration 20 Micron  
 Min. Closed End Volume 2.13 cu. in. (35 ml)  
 Linearity (typical) ±0.1% F.S.  
 Hysteresis (typical) ±0.1% F.S.  
 Repeatability (typical) ±0.2% F.S.  
 Accuracy (typical) ±0.3% F.S.

**Wetted Parts:**

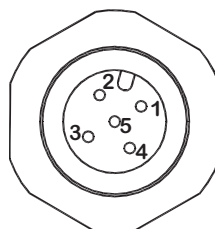
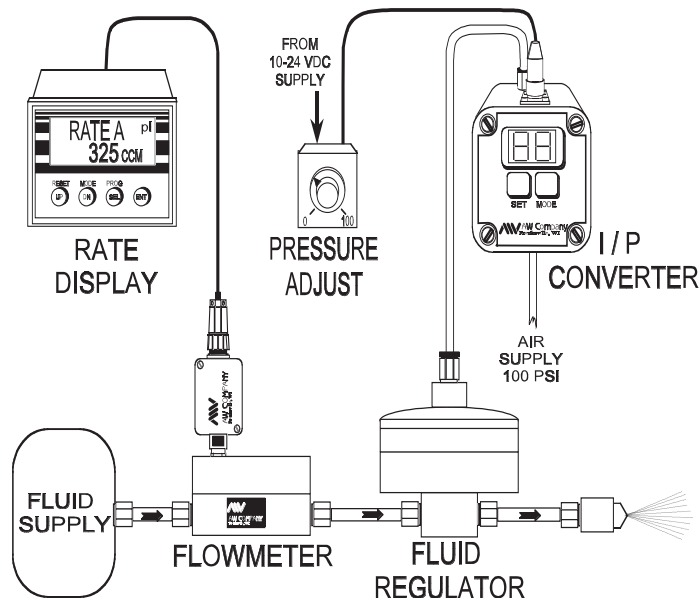
Elastomers RTV, Glass  
 Manifold Aluminum  
 Valves Nickel Plated Brass  
 Press. Transducer RTV, Aluminum, Plastic

**Physical:**

Operating Temp. Range 32-158°F (0-70°C)  
 Weight 1.0 lb (.45 Kg.)  
 Housing Polycarbonate  
 Protection Rating NEMA 12 (IP55)

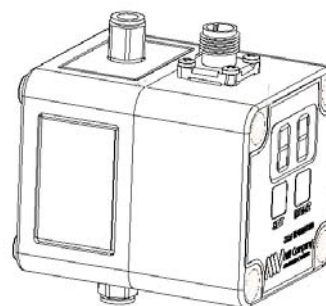
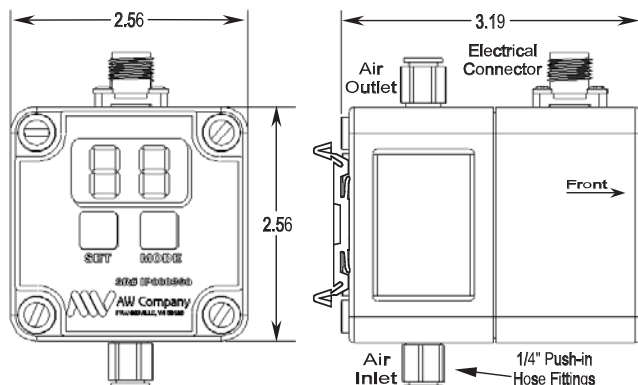
**Dynamic Response:**

10 - 90% F.S. Rated Output 180 ms.  
 Response Test Volume 0.76 cu. in. (12.5 ml)



Electrical Connection for Voltage Input	Connector Pin
10-24 VDC Supply	1-Supply
Supply/Signal Common	2-Ground
Control Voltage Signal	3- +M/mA In
Not used	4-Not used
Analog Pressure Output	5-Analog Output 0-5V

Electrical Connection for Voltage Input	Connector Pin
10-24 VDC Supply	1-Supply
Supply Common	2-Ground
+ mA Control Signal	3- +V/mA In
-mA Control Signal	4- -mA
Analog Pressure Output	5-Analog Output 0-5V



Products may be subject to change without notice – Contact factory for current information