

Maximum flow ranges from 25-200 GPM (95-750 LPM)  
 Max pressure 300 PSI (20 Bar)  
 Temperature range 32-210°F (2-99°C)

CP 3/4-2 inch

# UNIVERSAL<sup>®</sup> Flow Monitors

# CoolPoint<sup>™</sup>

Vortex  
Shedding  
Flowmeter



CoolPoint<sup>™</sup> with  
Rotatable Enclosure  
option

## Description

This flowmeter is made for water, water/glycol coolant or low viscosity fluids.

It has the following features:

- Flow rate transmitter 4-20 mA
- Solid state relay can be configured as alarm or pulse out
- LED digital display
- No moving parts to clog or wear
- Certified CSA and CE
- Rotatable enclosure optional for orientation of reading or electrical connection

## Electrical Specifications

- Input Power: 10 - 30 VDC @ 80 mA
- Output: 4-20mA for flow with 100 pulses per gallon from the solid state relay for all units except for the 2 inch CP16 which is 25 pulses per gallon
- Electrical Connection
  - Pin Connector (standard)
  - Pigtails (optional)
  - Junction Box with terminal strip (optional)

## Material Specifications

Flow bodies of brass or 316 Stainless Steel with PVDF sensors and Viton<sup>®</sup> seals standard. PEEK sensors used for high temp for fluids above 150° F.

## User-Configurable Options

Features that are selectable on 4-20 mA units include:

- Selectable alarm state (N.O. or N.C.)
- Set point or pulse output
- Engineering units (GPM, LPM)

## Instrument Specifications

- Flow
  - Visual readout: 3 digit LED, 0.3" digit height
  - Deadband for Alarm: 5% of full scale (maximum flow)
  - Accuracy: ±2% of full scale (maximum flow)
  - Repeatability: ±.25% of indicated flow
  - Turndown (ratio of max to minimum flow rates): 10:1 at all temperatures and 20:1 available optionally for standard temperatures.
- Pressure
  - 300 PSIG (20 Bar) operating pressure
- Response time
  - 450 ms.
- General
  - Fluid temperature limits: 35-150° F (2-66° C) standard, 150-210° F (66-99° C) optional.
  - Enclosure rating: IP 65, Type 1, 3, 4, 12 and 13
- Pipe Connections:
  - Female NPT, BSPP & BSPT
- Back pressure of 10 PSIG required.  
(See manual for elevated temperature.)

# How To Order Select the appropriate symbols to build a model code:

## MODEL CODES

Flow maximum GPM (LPM)	Pipe size in inches	Model code	Material	Thread options available	Connector or conduit box options available	Special options
		<b>Standard</b>				
25 (95)	3/4	CN6	-M1 *=Brass	T1 *=NPT T2=BSPT T3=BSPP	C1 *=Pin connector C2=Pig tails C3=Conduit box, terminal strip	W1=20:1 extended turndown*** E20=High temp (150-210° F)
50 (90)	1	CN8	-M2=316 Stainless Steel			
100 (380)	1 1/2	CN12				
200 (750)	2	CN16				
		<b>Rotatable Heads**</b>				
25 (95)	3/4	CP6				
50 (90)	1	CP8				
100 (380)	1 1/2	CP12				
200 (750)	2	CP16				

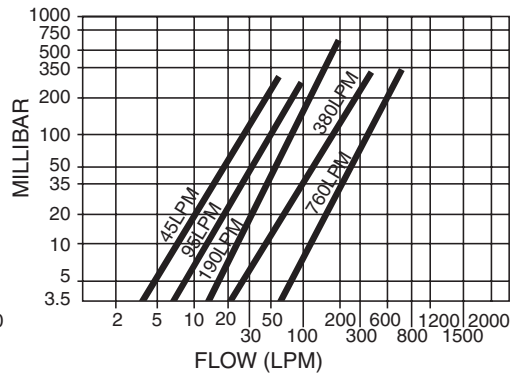
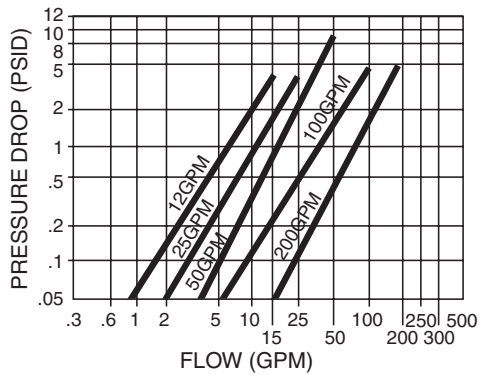
\* Indicates default selection. If no selection is made, this option is assumed.

\*\* Rotatable head option allows control box to be rotated 270° in field for readability.

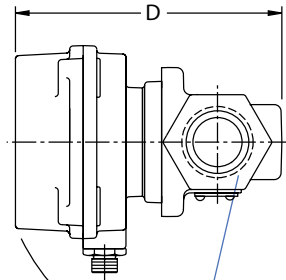
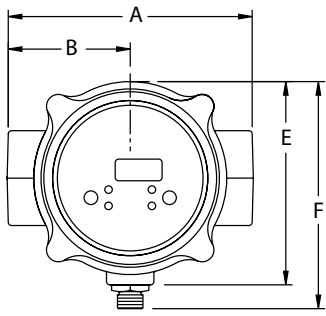
\*\*\* Requires grounded wiring.  
\*\*\* Turndown is 20:1 standard temp.

**Example:** CPN12 is the same as CPN12-M1T1C1

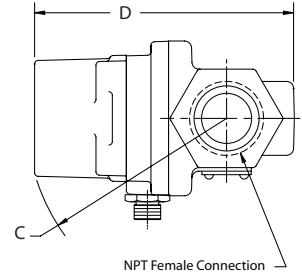
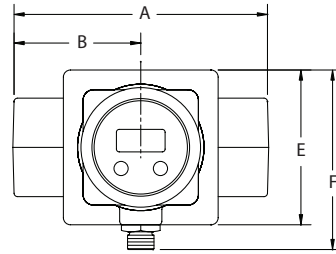
## PRESSURE DROP



## INSTALLATION DRAWING – BASIC METERS

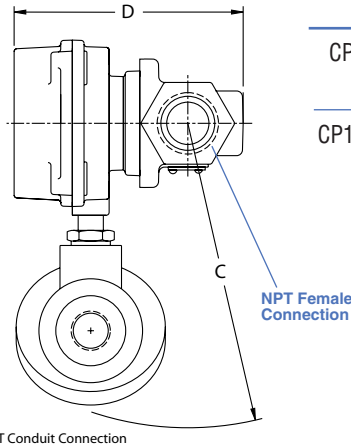
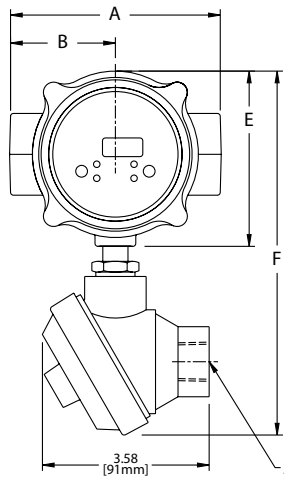


Size	A	B	C	D	E	F
CP6 and CP8	4.50 [113mm]	2.25 [57mm]	4.04 [103mm]	4.92 [125mm]	3.75 [95mm]	4.19 [113mm]
CP12 and CP16	6.75 [171mm]	3.37 [86mm]	4.71 [120mm]	6.14 [156mm]	3.75 [95mm]	4.19 [106mm]

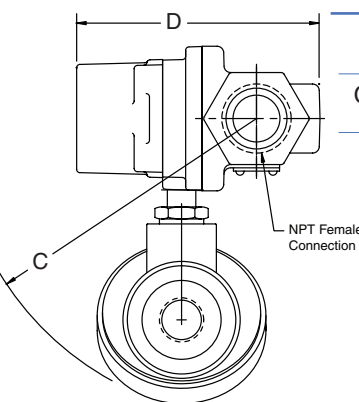
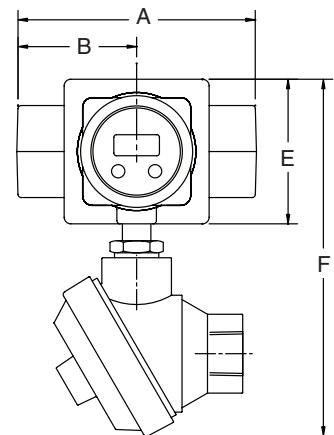


Size	A	B	C	D	E	F
CN6 & CN8	4.50" [114mm]	2.25" [57mm]	3.55" [90mm]	4.60" [117mm]	2.75" [70mm]	3.19" [81mm]
CN12 & CN16	6.75" [171mm]	3.37" [86mm]	4.24" [108mm]	5.85" [149mm]	2.88" [73mm]	3.25" [83mm]

## INSTALLATION DRAWING – METERS WITH OPTIONAL JUNCTION BOX



Size	A	B	C	D	E	F
CP6 and CP8	4.50 [114mm]	2.25 [57mm]	6.52 [166mm]	4.92 [125mm]	3.75 [95mm]	7.79 [198mm]
CP12 and CP16	6.75 [171mm]	3.37 [86mm]	6.87 [175mm]	6.14 [156mm]	3.75 [95mm]	7.79 [198mm]



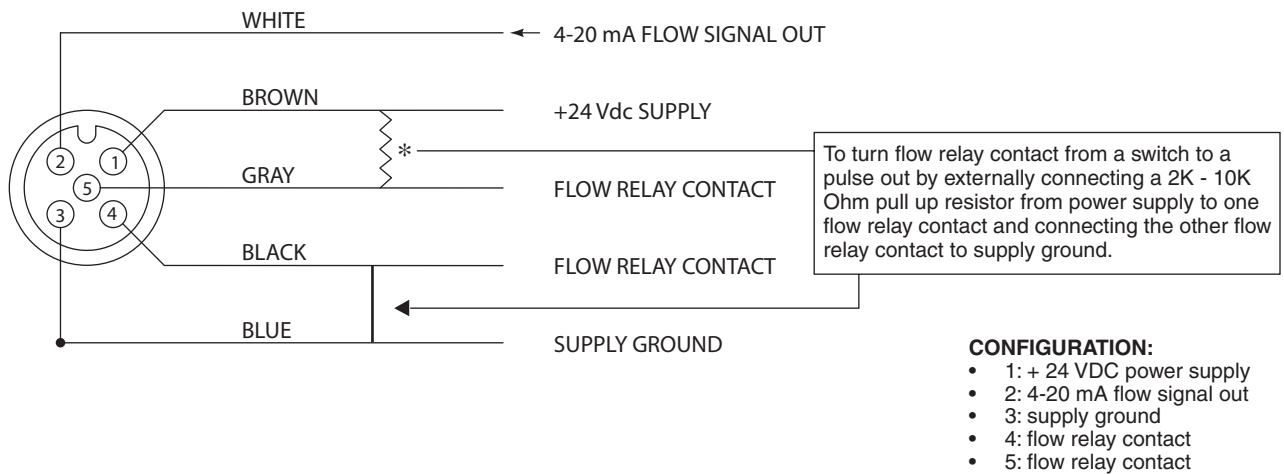
Size	A	B	C	D	E	F
CN6 & CN8	4.50" [114mm]	2.25" [57mm]	5.69" [145mm]	4.60" [117mm]	2.75" [90mm]	6.79" [172mm]
CN12 & CN16	6.75" [171mm]	3.37" [86mm]	6.00" [152mm]	5.85" [149mm]	2.88" [73mm]	6.85" [174mm]

## ACCESSORY CABLES AVAILABLE FOR PIN CONNECTOR METERS

Series	Description	Length in Meters	Part Number
CP/CN	5 pin female	1	6241-1M
		3	6241-3M
		10	6241-10M

## PIN CONNECTOR PINOUTS

### CP



### CP WITH W OPTION (GROUNDED)

