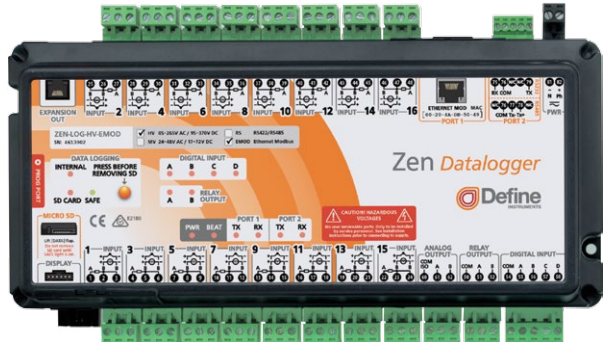


- › **16 Isolated Inputs**  
T/C, RTD, mA, mV, V,  
Potentiometer and more
- › **Data logging up to 1GB**  
With removable SD card
- › **Modbus option**  
For easy integration with  
SCADAs and PLCs
- › **Fully featured**  
2 Relay outputs, 2 Analog  
outputs, 4 Digital inputs,  
HMI connection, RS232,  
RS485, RS422, Ethernet
- › **Easy USB programming**  
and data log retrieval via your PC  
[defineinstruments.com/workbench](http://defineinstruments.com/workbench)



E2180



### General Description

The Zen Datalogger is a stand-alone data logging device. It has logging for up to 30 separate channels, including 16 on-board universal inputs.

Among the most flexible data loggers on the market, the Zen Datalogger is ideal for connecting to a mixture of analog and digital sensors. The inputs are all individually isolated and EMC hardened, making it fit for the most demanding industrial environments.

Data is logged to a 1GB Micro SD card, for easy data retrieval and transport.

Our free WorkBench software enables easy configuration of the unit, as well as download and display of logged data. Each unit can be viewed by 8 simultaneous users over the LAN.

The Zen Datalogger supports a range of interface options including RS232, RS485, RS422 and Ethernet, for simple integration with PLCs and SCADA systems.

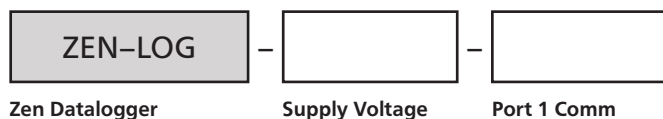
It can be set up as an analog multiplexer, utilizing the onboard dual analog outputs, or as an alarm and control station, using the 16 inbuilt setpoints. These setpoints can trigger up to 16 relay contacts if connected to the optional ZEN-RIO (sold separately).

The setpoints can also trigger SMS and email alarms if the unit is connected to an external cellular modem and loaded with the modem plugin (found in WorkBench).

## CONTENTS

<b>Contents</b> .....	2	<b>7 - Input Wiring &amp; Specifications</b> .....	24
<b>Order Codes</b> .....	3	7.1 - Current input .....	24
<b>Safety Notices</b> .....	3	7.2 - Voltage input .....	26
<b>1 - Specifications</b> .....	4	7.3 - RTD input .....	28
<b>2 - Dimensions &amp; Installation</b> .....	6	7.4 - Thermocouple input .....	29
2.1 - Case dimensions .....	6	7.5 - Digital pulse .....	30
2.2 - Installation environment .....	6	7.6 - Potentiometer input .....	31
2.3 - Installation instructions .....	7	7.7 - AC current sensor .....	32
2.4 - EMC installation guidelines .....	8	7.8 - Attenuator .....	32
<b>3 - Installing Define WorkBench</b> .....	9	<b>8 - Connecting To A PLC</b> .....	33
<b>4 - Software Configuration</b> .....	11	8.1 - Connecting to a PLC as an intelligent multiplexer .....	33
4.1 - Connecting .....	11	8.2 - Zen registers .....	36
4.2 - WorkBench interface overview .....	12	<b>9 - Maintenance</b> .....	37
4.3 - Main navigation .....	13	9.1 - Calibration .....	37
<b>5 - Data Logging</b> .....	14	9.2 - Troubleshooting .....	37
5.1 - Data logging capacity .....	14	<b>A - Appendix A - EMC Test Results</b> .....	38
5.2 - Data logging setup .....	14	<b>B - Appendix B - Optional FM1602 Display</b> .....	39
5.3 - Indicators .....	15		
5.4 - Using the Data Viewer .....	15		
5.5 - Importing logged data from the Micro SD card .....	17		
<b>6 - Wiring &amp; LED's</b> .....	18		
6.1 - Zen Datalogger terminals .....	18		
6.2 - LED indicators .....	20		
6.3 - Analog output .....	20		
6.4 - Relay output .....	21		
6.5 - Digital inputs .....	21		
6.6 - Port 1 .....	23		
6.7 - Port 2 .....	23		

## ORDER CODES



<b>Supply Voltage</b>	<b>HV</b> <b>MV</b>	85–265V AC / 95–370V DC 24–48V AC / 17–72V DC
<b>Port 1 Comm</b>	<b>RS</b> <b>EMOD</b>	RS422/485 Ethernet Modbus

## SAFETY NOTICES



For your safety and the prevention of damage to the Zen unit and other equipment connected to it, **please read complete instructions prior to installation and operation of the Zen and carefully observe all safety regulations and instructions. Consult this manual carefully in all cases where hazard symbols are marked on your Zen unit.**



Use of this instrument in a manner not specified by the manufacturer may compromise the protection provided by the instrument. This instrument should not be used to directly drive valves, motors, or other actuators, unless equipped with appropriate safeguards.

It is the responsibility of the user to identify potential hazards that may arise in the event of a fault to unit, and implement safeguards for the prevention of harm to persons or equipment. The safety of any system incorporating this unit is the responsibility of the assembler of the system.

## Symbol definitions



**CAUTION**  
**Risk of electric shock**  
Please refer to user manual.



Both direct and alternating current.



**CAUTION**  
**Risk of danger**  
Please refer to user manual.



Equipment protected throughout by **DOUBLE INSULATION** or **REINFORCED INSULATION**.

## 1

## SPECIFICATIONS

## Power

**Power supply**

HV = 85–265V AC / 95–370V DC, **OR**  
MV = 24–48V AC / 17–72V DC

**Supply frequency** 50/60Hz, 10VA

**Mains isolation** 250V AC

**Mains isolation test voltage to all inputs and outputs** 3000V AC 50Hz for 1min

## Analog input

**16 x Universal isolated analog inputs**

See Section 7 for specifications and wiring

**Input isolation** 2,500V AC 1 minute between all input channels

**Isolation test voltage** 1000V DC for 1min (Analog input to digital output, Analog input to analog input)

**Input resolution** 16 bits

**Accurate to**  $<\pm 0.1\%$  FSO (unless otherwise stated in Section 7)

## General specifications

**HMI interface** For FM1602 remote display (sold separately)

**Expansion interface** Add 16 relay outputs and 16 digital control inputs with a ZEN-RIO Relay/IO Expansion (sold separately)

**Linearity & repeatability**  $<\pm 0.1\%$  FSO

**Channel separation** 125db minimum

**RF immunity**  $<\pm 1\%$  effect FSO typical

**Noise immunity (CMRR)** 160dB tested at 300V RMS 50Hz

**Permanent memory (E<sup>2</sup>ROM)** 100,000 writes per input parameter

## Analog output

**2x Isolated analog outputs** 4–20mA

**Resolution** 15 bits, 16,000 steps

**Compliance voltage** 10V 500 $\Omega$

**Isolation test voltage** 1000V DC for 1min (Analog output to digital output)

## Relay output

**2x Isolated relay outputs**

**LED indication** of each output

**Relay contact rating** 5A 30V DC

## Digital input

**4 x Opto isolated inputs** with LED indication of each input

**Functions** Status, up counter, up/down counter with direction, debounced counter, frequency, gated frequency

**Counter register output** 32 bit

**Frequency range** 0–10,000Hz

**Input voltage** 5–30V DC

**Threshold** 4.6V typical

**Debounce counter range** 0–100Hz

---

**Load** At 5V DC: 1.1mA; At 24V DC: 7mA

---

**Isolation test voltage** 1000V DC for 1min  
(Digital input to analog input/output,  
Digital input to digital output)

---

## Comms

---

**Protocols** Modbus RTU, RS422, RS485 or RS232

---

**Port 1** Select either:  
RS = RS422 / RS485, **OR**  
EMOD = Ethernet Modbus (10/100/Auto)

---

**Port 2** RS232 / RS485 auto-select  
Selectable baud rate 2400–230000 baud  
Format 8 bit, no parity, 1 stop

---

**Isolation test voltage** 1000V DC for 1min  
(Comms to analog input/output, Comms to digital input/output)

---

## Programming

---

**USB programmable** Via USB prog port using Bridge Key USB programmer (sold separately)

---

**Define WorkBench** Simple configuration and data log retrieval using Define WorkBench. Free download at:  
[defineinstruments.com/workbench](http://defineinstruments.com/workbench)

---

## Datalogging

---

### Real-time clock

---

**Data logging** to Micro SD card (supplied). Logging to onboard memory when Micro SD card removed

---

**Micro SD card capacity**  
1GB (7,858,683 samples for all channels)  
*Not compatible with higher-capacity Micro SD cards.*

---



---

**Onboard memory capacity**  
32MB (31,774 samples for all channels)  
*Used when Micro SD card is removed*

---

**Fast, simple data log retrieval and visualization, using Define WorkBench**  
Free download with product simulator at:  
[defineinstruments.com/workbench](http://defineinstruments.com/workbench)

---

## Construction

---

**Casing** DIN 35 rail mounting; Material: ABS  
inflammability V0 (UL94)

---

**Dimensions (H x W x D, with plugs in)**  
2.32 x 10.04 x 5.67" (59 x 255 x 144mm)

---

**Unit weight** ZEN-LOG-RS = 27.2oz (770g)  
ZEN-LOG-EMOD = 27.7oz (784g)

---

## Environmental conditions

---

**Operating temp** 14 to 140°F (–10 to 60°C)

---

**Storage temp** –4 to 176°F (–20 to 80°C)

---

**Operating humidity** 5–85% RH max,  
non-condensing

---

## Compliances

---

**EN-61326-1:2006**

---

**EMC Emissions** EN 558022-A;  
**Immunity** EN 50082-1; **Safety** EN 60950

---

## Intelligent multiplexer

---

**Channel selection** Binary (digital inputs)

---

**Cycle time** 4sec minimum to cycle through all 16 inputs

---

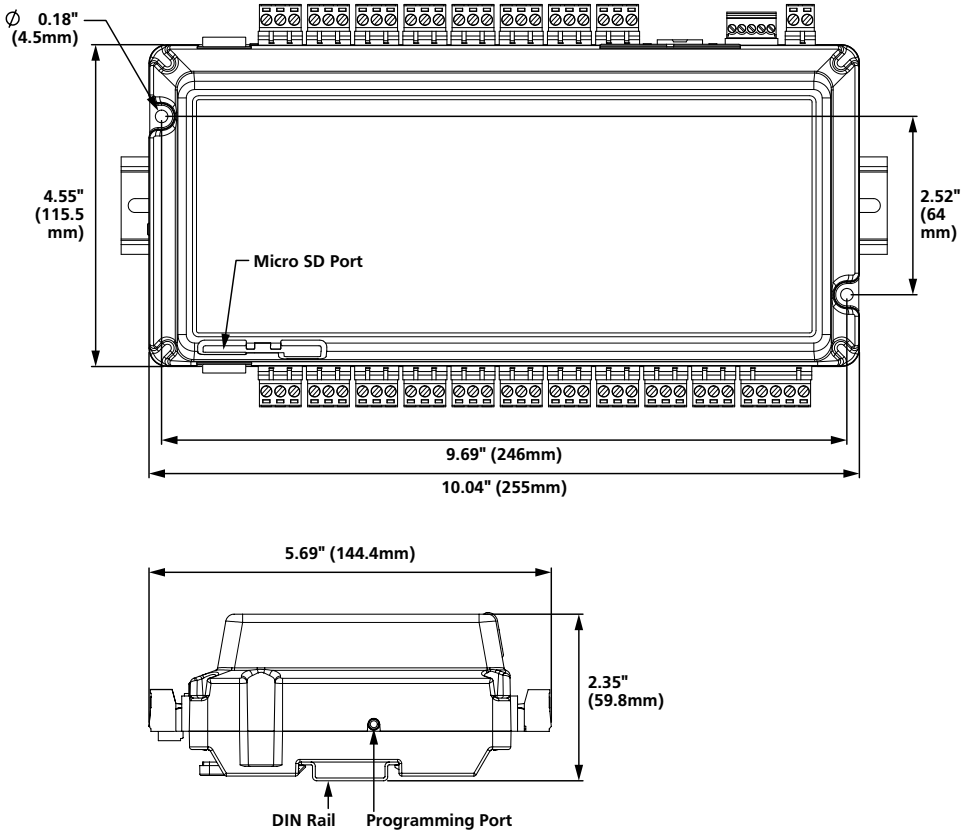
**Resolution** 12 bits, 4000 steps typical

---

## 2

## DIMENSIONS &amp; INSTALLATION

## 2.1 - Case dimensions



## 2.2 - Installation environment

The Zen should be installed in a location that does not exceed the maximum operating temperature, and at a safe distance from other devices that generate excessive heat. The installation environment should provide good air circulation to the unit.

The plastic casing and product label may be cleaned, if required, using a soft, damp cloth and neutral soap product. **Caution should be exercised when cleaning the unit to avoid water dripping inside, as this will damage the internal circuits.**

## 2.3 - Installation instructions

The Zen Datalogger is rated IP20, and should be mounted in an enclosure to protect the unit from weather conditions and dust.

### A - Installation in Enclosure (Fig 1)

Prepare an **Enclosure** (not supplied) as illustrated by mounting a **DIN 35 rail**, cable glands, and any other required components.

**If using a metal enclosure, the enclosure must be earthed.**

### B - DIN Rail Mounting (Fig 2)

To clip the unit onto the DIN rail:

- (1) Hook the lower part of the unit onto the rail, and then
- (2) Press down towards the rail until the red hooks click into place

**Leave at least 2" (5cm) clear above and below the unit, to allow room for airflow and wiring.**

### C - Wiring

Refer to Sections 6–7 in this manual.

### D - Removal from DIN Rail (Fig 3)

To remove the unit from the DIN rail:

- (1) Power down the unit
- (2) Unplug the 'Input 4' and 'Port 1' connectors from the top of the Zen (the DIN clips are behind these terminals)
- (3) Gently pull the unit away from the rail while levering one of the clips upward with a screwdriver
- (4) When one side is loosened, hold it slightly away from the rail to prevent the clip from engaging again (pictured in Fig 3). Meanwhile, lever the second clip upward as you did with the first.

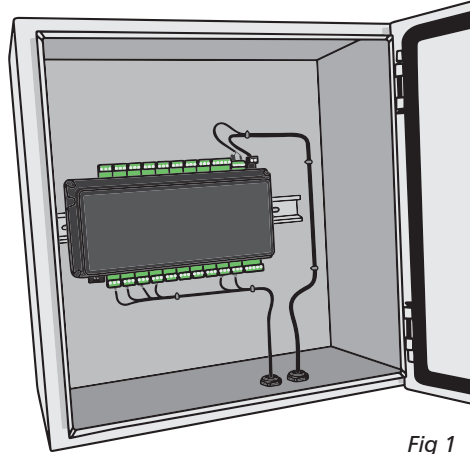


Fig 1

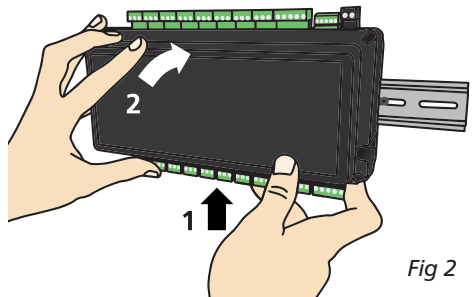


Fig 2

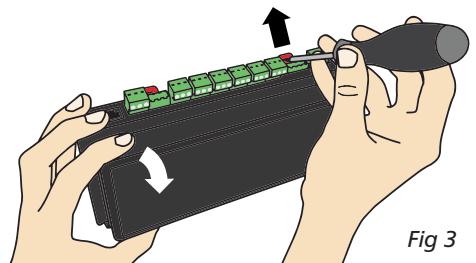


Fig 3

---

## 2.4 - EMC installation guidelines

The Zen has been designed to cope with large EMC disturbances. This has been achieved by continual testing and improvement of filtering and layout techniques over many years.

The Zen meets CE noise requirements, and even surpasses them in many tests. (For full details and test results, see Appendix A.) However in some applications with less than optimum installations and large power switching, the EMC performance of the Zen can be further improved, by:

- A** Installing the unit in an earthed **Metal Enclosure**. This is particularly useful if the control box is mounted close to large power switching devices like contactors. Every switching cycle there is a possibility of generating a large amount of near field radiated noise. The **Metal Enclosure**, acting as a faraday cage, will shunt this radiation to ground and away from the Zen.
- B** Increasing the physical distance from the power devices. For example, increasing the control box distance from 6" to 12" from the noise source will reduce the noise seen by the control box by a factor of 4. (Probably the cheapest and best results in this situation could be obtained by adding RC snubbers to the contactors or power switches.)
- C** Using shielded cable on sensitive input and control signal lines. Good results can be obtained by grounding the shields to the metal enclosure close to the entry point. All cables act as aerials and pick up unwanted R.F. radiated signals and noise; the earthed shield acts as a faraday cage around the cables, shunting the unwanted energy to ground.  
Shields can also help with capacitively coupled noise typically found in circumstances when signal cable is laid on top of noisy switching power cables. Of course in this case you are better off to keep separate signal and power lines.
- D** Laying cable on earthed cable trays can also help reduce noise seen by the Zen. This is particularly useful if there are long cable runs, or the unit is close to radiating sources such as two way radios.
- E** The relay outputs of the Zen have built in MOV's to help reduce EMI when switching inductive loads. EMI can further be reduced at the load by adding snubbers for AC signals or a flyback diode for DC coils.

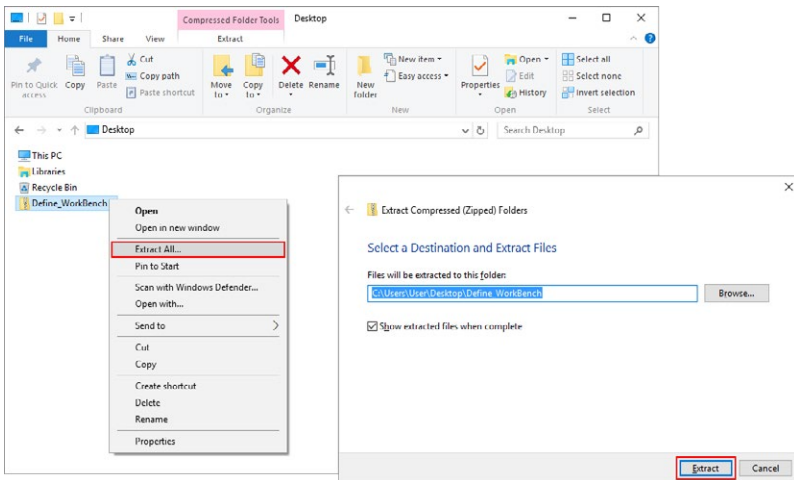


## 3 INSTALLING DEFINE WORKBENCH

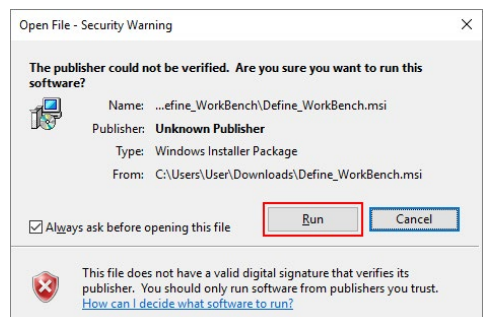
Define WorkBench offers a comprehensive and yet simple-to-use setup tool for your Zen unit, complete with data log extraction and visualization.

**You must install WorkBench before connecting the Zen Datalogger to your computer. If you have already connected using the Bridge Key, please disconnect before continuing.**

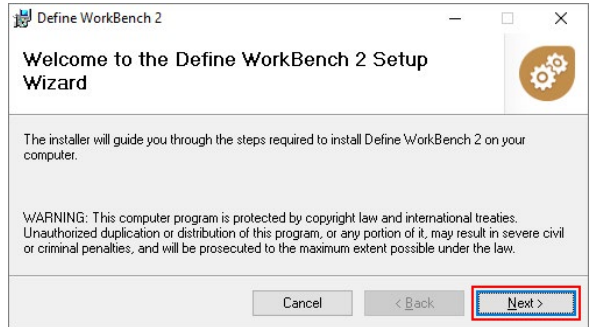
- A Download the latest version of WorkBench from [www.defineinstruments.com/workbench](http://www.defineinstruments.com/workbench)
- B Extract the install file from the zip folder. Right-click on the zip folder and choose 'Extract All', (or extract the file using another extraction utility of your choice).



- C Double-click on the extracted .msi install file. This will launch the WorkBench installer. Depending on your security settings, a 'Security Warning' dialog may appear. If you see the security message, click 'Run'.



- D** The WorkBench setup wizard will launch.  
Click **'Next'** to get started.

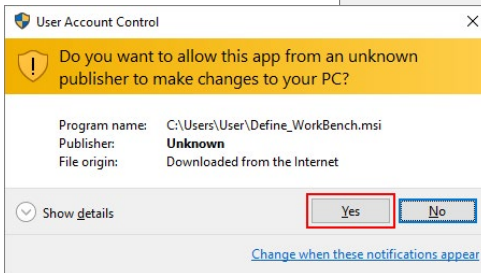
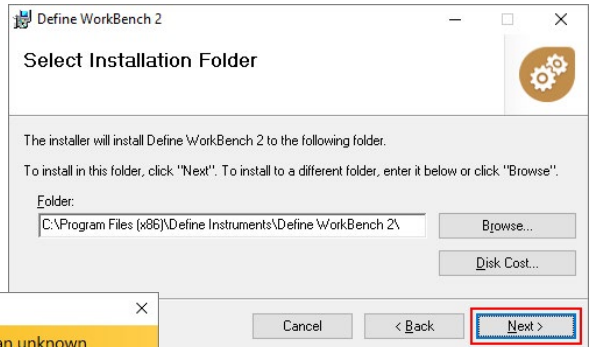


- E** The wizard will also ask for confirmation that you wish to begin the installation.  
Click **'Next'** to continue.

- F** The wizard will then prompt you to select an installation folder.

You may accept the default installation folder, or select an alternative location by clicking **'Browse'**.

Click **'Next'** to continue.

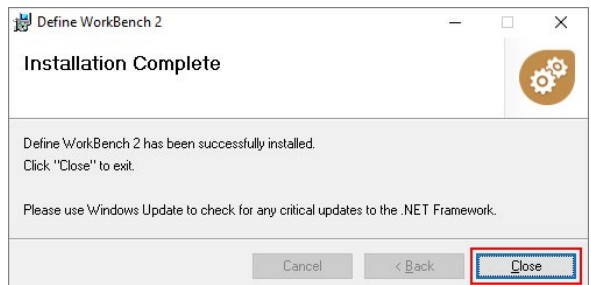


- G** Depending on your security settings, the 'User Account Control' dialog may appear.  
If it does, simply click **'Yes'** to allow the program to be installed on your computer.

- H** The install wizard will now install Define WorkBench. Please wait. This process usually takes 2–3 minutes, but may take longer in some situations.

- I** When the installation has successfully completed, the following dialog will appear.  
Click **'Close'** to exit.

The installer will place an icon on your desktop for easy access to WorkBench.



## 4 SOFTWARE CONFIGURATION

### 4.1 - Connecting

#### Connect the Bridge Key

To program your Zen Datalogger, connect one end of the **Interface Cable** to the programming port on the left side of the Zen (see Fig 4), and the other end to your **Bridge Key**.

Then plug the **Bridge Key** into your computer's USB port (see Fig 5).

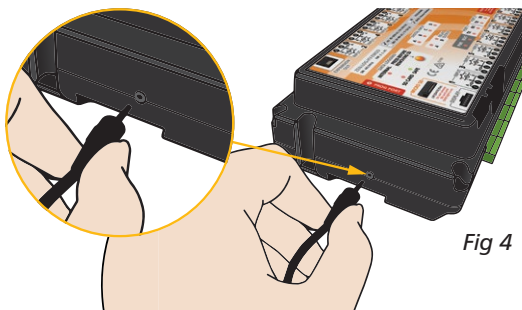


Fig 4

#### Supply Power

Supply power to the Zen Datalogger, referring to 6.1 for wiring.

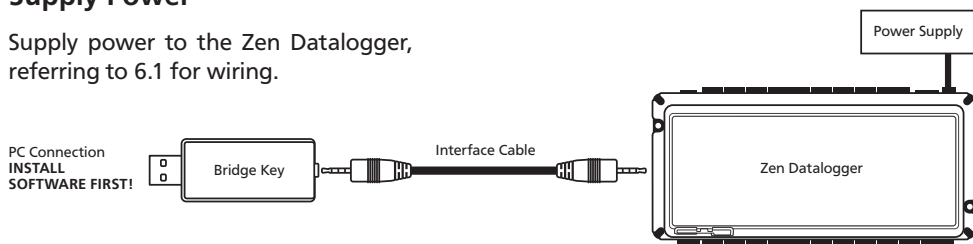
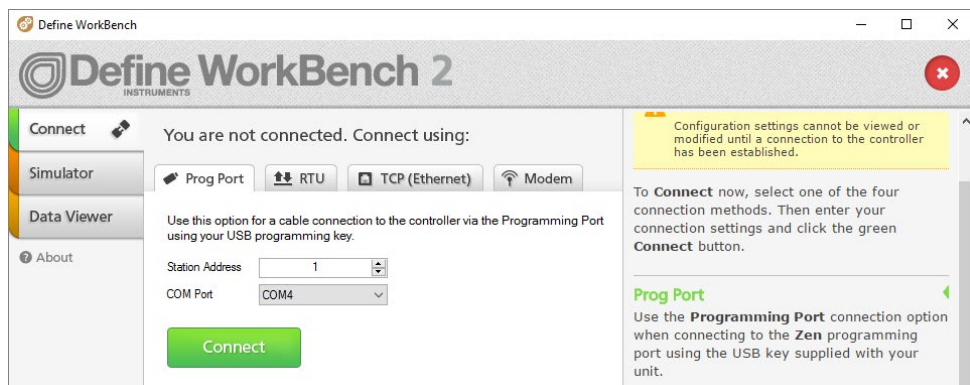


Fig 5

#### Connect to your Zen in Define WorkBench

Launch Define WorkBench (see Section 3 for installation instructions), and select the 'Prog Port' tab. If your Zen is powered up and connected via the Bridge Key, then the COM Port will be detected automatically. Click 'Connect'.



## 4.2 - WorkBench interface overview

**Main Navigation**, including channel sub-navigation. See 4.3 for more information.

### Control Area

Main control area for configuring your system. Any changes made in this area will bring up the **Apply Button** (see below)

### Connection Panel

Disconnect button  
Connection status

The screenshot displays the Define WorkBench 2 interface. On the left is the **Main Navigation** sidebar with a list of tabs: Overview (1), Ports (2), Inputs (3), Digital Inputs (4), Totalizers (5), Retransmission (6), Setpoints (7), Relays (8), Logging (9), Data Viewer (10), and Plugins (11). The **Control Area** in the center contains configuration fields for 'Input 1', including Input Value, Input Name (CH\_1), Input Mode (mA), Input Range (0-20mA), Engineering Units (degF), Offset Adjust (0.000), Filter Time (0 seconds), Linearization (OFF), and Scaling/Offset Mode (mA (0.000 to 20.000)). A purple bar at the bottom of the Control Area indicates 'Your configuration has unapplied changes' and features an **Apply Button**. On the right, the **Connection Panel** shows 'Connected: COM3' with buttons for View Mode, Configure, and Disconnect. Below this is the **Input Mode & Type/Range** section, which lists options like '0/4-20mA', '2 Wire Loop Powered Transmitter', '3 Wire Transmitter', and '4 Wire Transmitter'. A wiring diagram for a 'Current 0/4-20mA' signal is shown, with terminals A+, B+, and B- and a power source. The **Help Panel** at the bottom right provides a detailed explanation of the 4-20mA signal, noting its common use in industry and its immunity to voltage drops in cables.

### Apply Button

Appears if you have made any changes in the **Control Area**. WorkBench will not allow you to browse to a new tab in the **Main Navigation** with unapplied changes to your configuration.

### Help Panel

Wiring diagrams, explanations and helpful tips will automatically appear in this panel as you configure the Zen.

---

## 4.3 - Main navigation

### Overview

View basic device information including Serial Number and firmware version. Password Protect your device, export a configuration certificate and save/upload a configuration file.

### Ports

This tab is only visible if you are connected to your Zen via the USB Programming Port. It enables you to configure a range of settings for Port 1 and Port 2 (baud rate, parity, Tx delay etc.).

Once your ports are set up, you will be able to configure to your Zen in WorkBench via Port 1 or Port 2 instead of the USB programming port - perfect for adjusting settings once your unit is installed.

### Inputs

Set up and scale the 16 isolated input channels. Includes integrated wiring diagrams and examples.

### Digital Inputs

Set up the four digital inputs and view their live status.

### Totalizers

Configure up to 10 totalizers using either an input channel or a digital input as the source.

### Retransmission

Configure up the two analog outputs to operate independently, or in cooperation with the digital inputs as an intelligent multiplexer.

### Setpoints

Configure up to 16 setpoints which can be activated by an input, a digital input or a totalizer. Configure alarms or control functions by selecting from a variety of pre-programmed modes, complete with detailed explanations.

### Relays

Configure the two relay outputs. These may be driven from one or more setpoints, or directly from one of the digital input pins.

### Logging

Configure your data logging options. Select the logging interval, set the time, and select which channels will be logged. (See Section 5 for more on Data Logging.)

### Data Viewer

View and analyze your live data and download it to your computer. (See Section 5 for more on Data Logging.)

### Plugins

Plugins are small programs which are loaded into the Zen to expand its functionality or simplify its use. Plugins are optional and in many cases they may not be needed. Note that only one plugin can be installed on your Zen at a time.

## 5

## DATA LOGGING

## 5.1 - Data logging capacity

The Zen Datalogger is supplied with a **1GB Micro SD card**, which is the default storage location for logged data. The Micro SD card can hold up to 7.8 million data samples - enough for nearly 15 years' data logging at 1 sample per minute.

If you remove the Micro SD card to download data from it (see 5.5), the Zen will continue to log data to its onboard memory. The onboard memory capacity is 32MB (31,744 data samples) - enough for 22 days' data logging at 1 sample per minute.

Logged data which has been temporarily saved to the onboard memory will be automatically transferred to the Micro SD card as soon as it is inserted again. (This process can take some time, depending on how much data needs to be transferred. You will not be able to safely remove the Micro SD card again [as in 5.5] until the transfer has completed.)

**NOTE**

**Please use the supplied 1GB Micro SD card.** Commercially available Micro SD cards with a capacity higher than 1GB are not supported by the Zen Datalogger.

## 5.2 - Data logging setup

To set your Data Logging preferences, connect to your Zen using Define WorkBench (see Section 4), and click on the **"Logging"** tab.

From there you can:

- › Specify what to do when the data logging capacity is reached (either overwrite old data, or stop logging)
- › Set your logging interval in hours, minutes and seconds
- › Delete your Data Log
- › Set the clock
- › Select which channels to log (up to 30 channels, which may include a mixture of Inputs, Digital Inputs, Totalizers and Auxiliary inputs)

The screenshot shows the 'Data Logging' configuration page. At the top, the 'Data Logging' title is followed by a green 'ON' toggle switch. Below this, 'Logging Space Used' is shown as 0. The 'When Capacity Is Reached' dropdown menu is set to 'Overwrite oldest data'. The 'Logging Interval' is configured as 0 hours, 2 minutes, and 0 seconds. The 'Device Time' is 16:16:23 - 30/6/2016. There are two buttons: 'Delete Data Log' and 'Sync Device With Computer Clock'. Below the logging settings is the 'Logging Channels' section. It features two scrollable lists: 'Unlogged Channels' (showing 26 channels) and 'Logged Channels' (showing 20 / 30 channels). The 'Logged Channels' list includes 'Input Channels' (Channel 1 to Channel 8) and 'Totalizers' (Total 1 to Total 8). Navigation arrows are present between the two lists.

## 5.3 - Indicators

The Zen Datalogger has 3 LED indicators which provide information on the status of the data log.

### A INTERNAL / SD CARD

These LED's indicate which memory location is currently being used to store logged data:

- › If the '**SD CARD**', LED is lit, then data is being saved to the Micro SD card.
- › If the '**INTERNAL**' LED is lit, the data is being saved to the onboard memory.

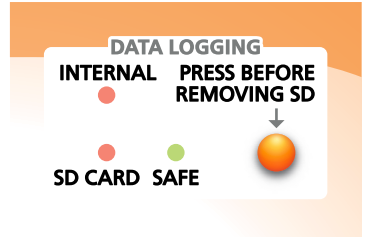


Fig 6

### B PRESS BEFORE REMOVING SD

This button must be pressed BEFORE removing the Micro SD card. (Please see 5.5 for more information on safely removing the Micro SD card.)

### C SAFE

If this LED is lit, then it is safe to remove your SD card from the Zen's Micro SD slot.

## 5.4 - Using the Data Viewer

Define WorkBench "**Data Viewer**" enables you to view your logged data and visualize it in the form of a Multi-Channel Graph (Fig 7), Tiled Graphs (Fig 8), a Distribution Graph (Fig 9), or as Tabulated Data (Fig 10).

A variety of settings enable you to specify the range of viewable data, and configure your graph axes and labels. You can also export logged data to CSV format for further processing using Excel.

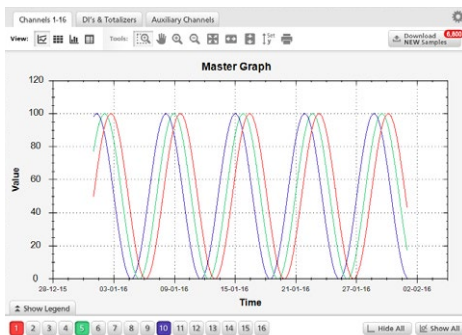


Fig 7 - Multi-Channel Graph

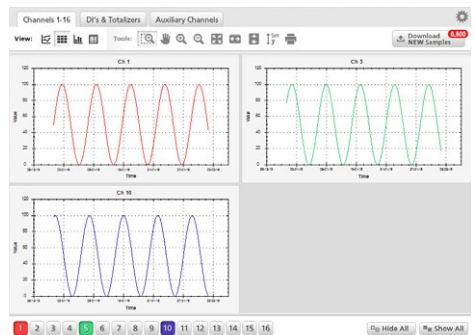


Fig 8 - Tiled Graphs



Fig 9 - Distribution Graph

Index	Time Stamp	1	2	3	4	5	6	7	8	9	10	11	12	13	14	15	16
1	00:00:00 1/01/2016	50.000	57.130	64.129	70.831	77.106	82.826	87.874	92.146	95.554	98.000	99.522	99.999	99.453	97.893	95.263	9
2	00:15:00 1/01/2016	50.477	57.610	64.586	71.264	77.506	83.189	88.164	92.401	95.790	98.151	99.550	99.950	99.204	97.754	95.100	10
3	00:30:00 1/01/2016	50.965	58.081	65.042	71.699	77.903	83.540	88.492	92.652	95.940	98.287	99.645	99.945	99.303	97.610	94.843	9
4	00:45:00 1/01/2016	51.432	58.550	65.487	72.124	78.298	83.883	88.783	92.899	96.125	98.408	99.659	99.972	99.221	97.462	94.731	10
5	01:00:00 1/01/2016	51.909	59.020	65.955	72.551	78.691	84.242	89.093	93.142	96.300	98.526	99.749	99.954	99.155	97.310	94.516	9
6	01:15:00 1/01/2016	52.388	59.493	66.422	73.070	79.180	84.689	89.503	93.502	96.640	98.839	99.795	99.931	99.044	97.163	94.295	9
7	01:30:00 1/01/2016	52.883	59.986	66.902	73.399	79.467	84.932	89.691	93.651	96.760	98.940	99.747	99.864	98.949	97.032	94.073	9
8	01:45:00 1/01/2016	53.340	60.427	67.301	73.820	79.852	85.272	90.070	94.045	97.051	99.072	98.850	98.627	97.546	9	10	
9	02:00:00 1/01/2016	53.816	60.884	67.748	74.239	80.234	85.609	90.285	94.076	96.951	98.904	98.836	98.746	96.558	93.614	9	10
10	02:15:00 1/01/2016	54.282	61.309	68.134	74.656	80.612	85.942	90.554	94.299	97.150	99.046	99.031	98.734	96.617	94.484	93.379	9
11	02:30:00 1/01/2016	54.767	61.684	68.488	74.930	80.869	86.170	90.749	94.470	97.320	99.156	99.045	98.769	96.546	94.306	93.138	9
12	02:45:00 1/01/2016	55.242	62.087	68.859	75.142	81.046	86.300	91.088	94.734	97.544	99.222	98.972	98.698	96.407	94.124	92.856	9
13	03:00:00 1/01/2016	55.717	62.483	69.200	75.391	81.272	86.503	91.358	94.945	97.712	99.304	98.965	98.644	96.285	93.937	92.648	9
14	03:15:00 1/01/2016	56.191	62.910	69.559	75.629	81.490	86.684	91.512	95.152	97.790	99.281	98.955	98.585	96.159	93.747	92.397	9
15	03:30:00 1/01/2016	56.665	63.370	70.096	75.854	82.044	87.190	91.867	95.396	97.899	99.254	98.999	98.521	95.950	93.562	92.142	9
16	03:45:00 1/01/2016	57.138	64.009	70.531	76.068	82.236	87.346	92.046	95.544	98.000	99.222	98.903	98.463	95.839	93.353	91.863	9
17	04:00:00 1/01/2016	57.610	64.586	71.054	76.590	82.730	87.815	92.481	95.745	98.161	99.355	98.980	98.380	95.754	93.150	91.621	9
18	04:15:00 1/01/2016	58.081	65.042	71.699	77.003	83.040	88.090	92.842	95.940	98.287	99.645	99.365	98.303	95.610	92.943	91.354	9
19	04:30:00 1/01/2016	58.550	65.497	72.124	78.298	84.093	88.793	92.899	96.125	98.408	99.659	99.972	99.221	97.462	94.731	91.084	9
20	04:45:00 1/01/2016	59.020	65.955	72.551	78.691	84.242	89.093	93.142	96.300	98.526	99.749	99.954	99.155	97.310	94.516	91.610	10

Fig 10 - Tabulated Data

## Downloading logged data

When you connect to your Zen Datalogger in Define WorkBench and click on the "Data Viewer" tab, you will have immediate access to any data which has previously been downloaded from the Zen unit.

Additionally, the graph will show preview content for any data that **has not yet been downloaded** (this is built using 100 samples from your actual data). To view the complete data set, you must download the data log.

Downloading the data log has the additional benefit of enabling 'offline' viewing, making it possible to view your data in Define WorkBench without connecting to your Zen. Regularly downloading your data log will also ensure that your data history is maintained, in the unlikely event that the size of your data log exceeds the capacity of the Micro SD Card.

There are two methods for downloading logged data to your PC:

### A While connected to your Zen unit, click the "Download NEW Samples" button.



This button appears in the top right-hand corner of the Data Viewer window, along with the number of samples to be downloaded. If there are only a moderate number of new samples to be downloaded, then this method is ideal.

**However please note that this method can take considerable time if there are a large number of samples to be downloaded. In this case it is recommended that you download data from the Micro SD Card, as explained below.**

### B Without connecting to your Zen unit, safely remove the SD Card (see 5.5) and import its contents to WorkBench.

This is the recommended method for downloading a large data log, because transfer of data is not impeded by distance, or by the speed of your serial or ethernet connection. This method also enables you to download the data log without being connected to a live unit. Please see 5.5 for further instructions.



## 5.5 - Importing logged data from the Micro SD card

The Micro SD card can be removed from the Zen unit and read using a standard SD card reader, enabling fast, simple and portable data log retrieval.

**To do this, you must first unmount the Micro SD card by pressing the button marked 'PRESS BEFORE REMOVING SD'.**



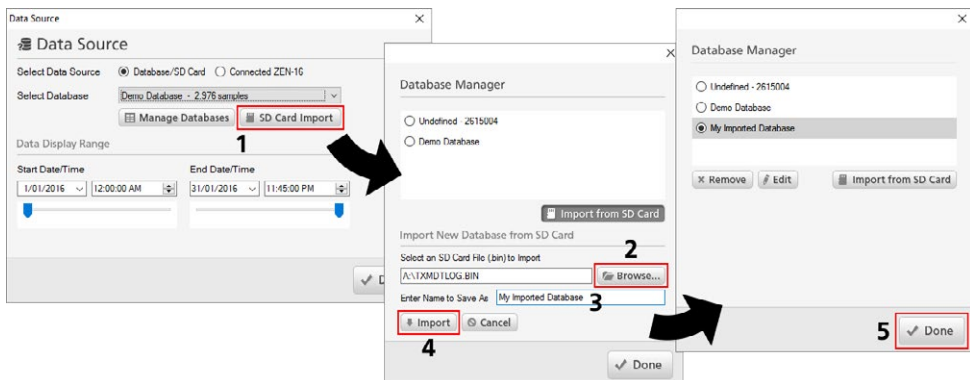
This disengages the Micro SD card from the data logging process, causing any subsequent data samples to be logged to the unit's onboard memory. (When the Micro SD card is inserted again, any samples that have been logged to the unit's onboard memory will be transferred to the Micro SD card.)



### IMPORTANT

Please read and follow these instructions to remove the Micro SD Card from the Zen unit. Incorrect removal of the Micro SD could corrupt your data log.

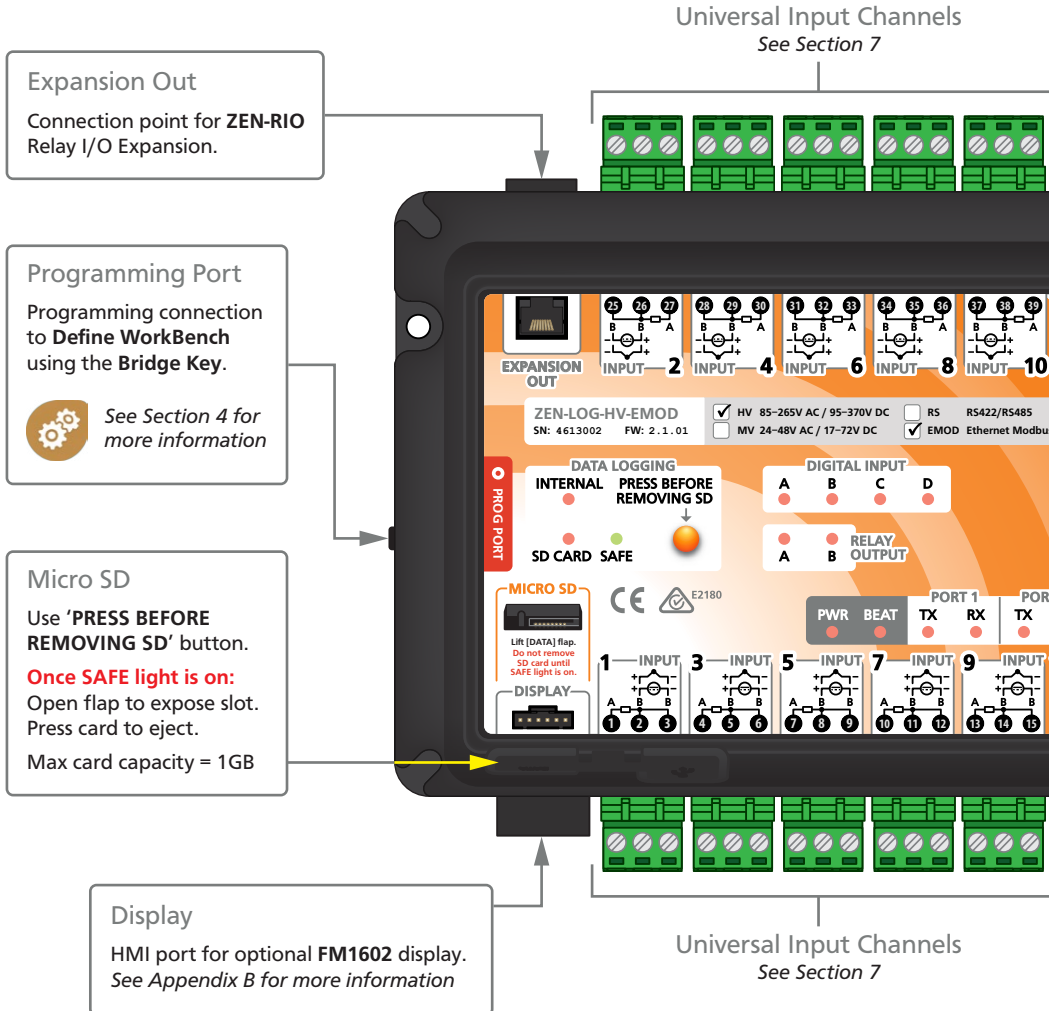
- A** Press the button marked 'PRESS BEFORE REMOVING SD' (see 5.3B).
- B** Wait for the green 'SAFE' LED to come on. When the 'SAFE' light is on, remove the SD card from the Zen unit. Open the rubber flap marked 'DATA' which is located just above the Display terminal on the lower left-hand side of the unit. Press the SD card to eject it.
- C** Insert the SD card into your computer's card reader.
- D** Launch Define WorkBench and click on the "Data Viewer" tab. (Note that you do not need to connect to your Zen Datalogger.)
- E** The 'Data Source' dialog will pop up automatically. Click "SD Card Import" and then follow the steps in the images below to import the data from your Micro SD card.
- F** When you have finished importing the data, return the Micro SD card to the Zen Datalogger. (You do not need to follow any special process to re-insert the SD card.)

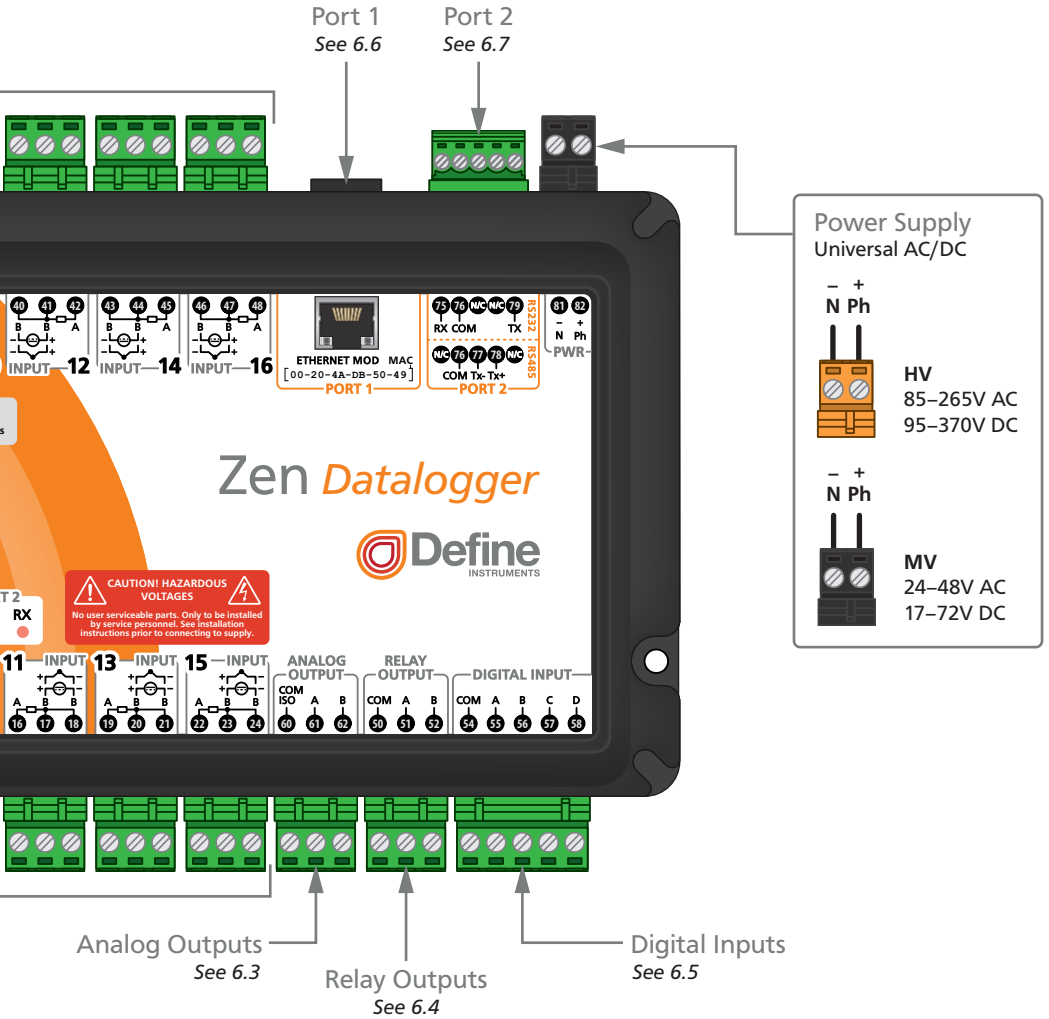


## 6

## WIRING &amp; LED'S

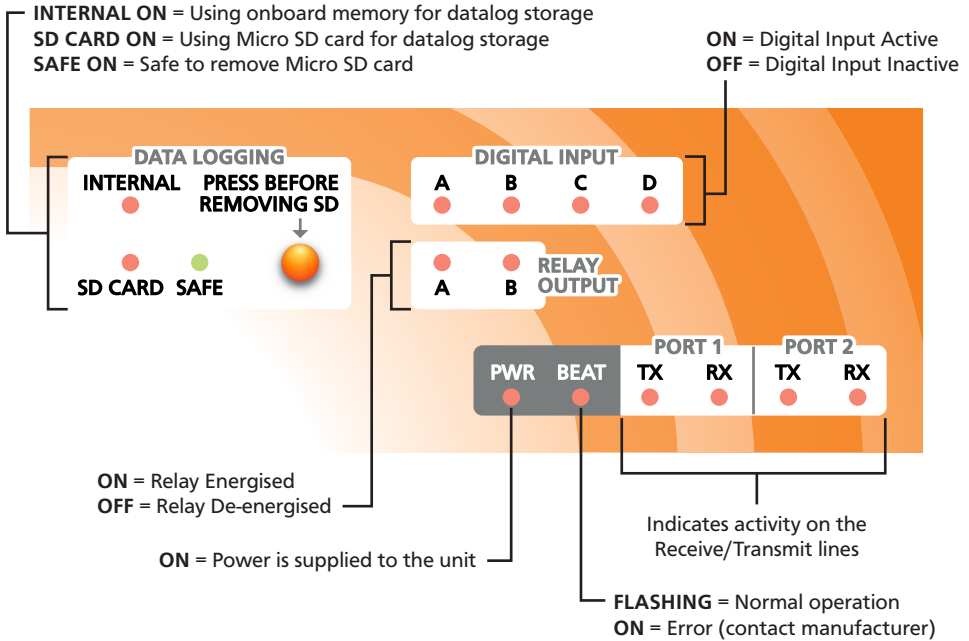
## 6.1 - Zen Datalogger terminals





## 6.2 - LED indicators

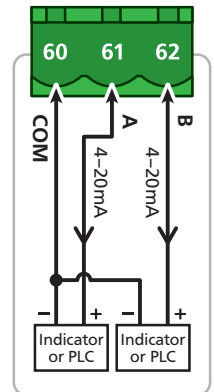
The Zen Datalogger has 15 LED indicators on the top label which provide information about the unit's status, as further explained below:



## 6.3 - Analog output

The two Analog Outputs (A–B) can be wired as shown (right) and configured and scaled in Define WorkBench from the 'Retransmission' tab.

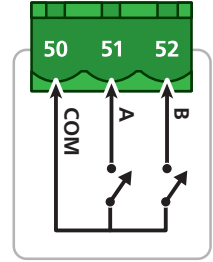
The Zen Datalogger can also be configured as an Intelligent Multiplexer from the 'Retransmission' tab (see Section 8) - in this case the Digital Inputs are disabled.



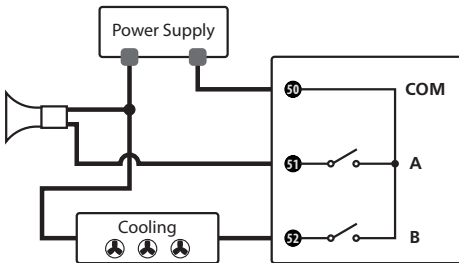
## 6.4 - Relay output

The two Relay Outputs (A–B) can be wired as shown (right) and configured in Define WorkBench from the **"Relays"** tab. Each Relay Output has LED indication on top of the unit to indicate when the relay is energized.

Both relays are normally open, and share a common. Each can be configured for a 'Closed' or 'Open' triggered state (e.g. for fail safe operation). These settings are retained in software on power down, but the relays are de-energized.



### Connection example for relay outputs



**Note 1** 30V AC/DC, 1A maximum contact rating.

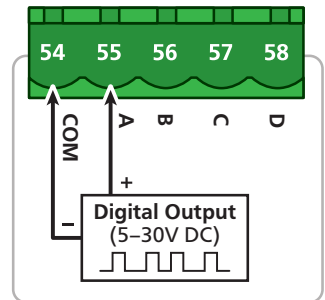
**Note 2** For individual relay outputs (i.e. not sharing a common) and/or a contact rating of 250V AC, use ZEN-RIO, which can provide 16 Relay Outputs.

## 6.5 - Digital inputs

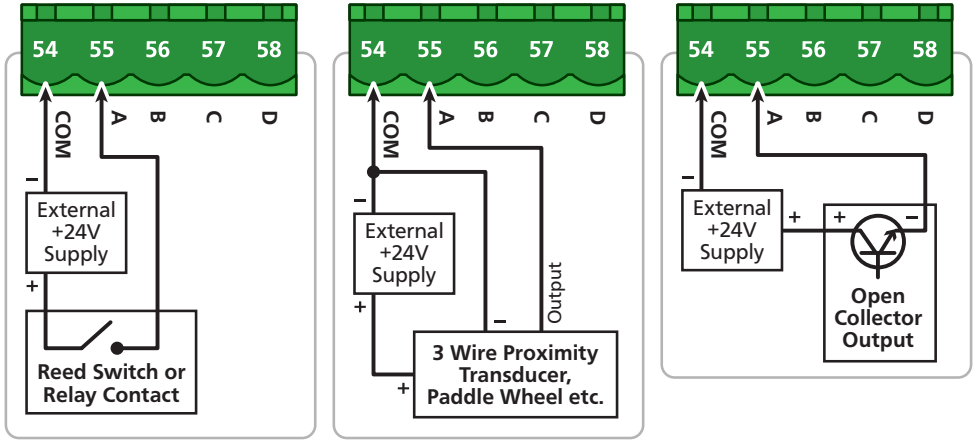
The Zen Datalogger has four Digital Inputs (A–D), each with LED indication on top of the unit. The digital inputs can be configured and scaled using Define WorkBench from the **"Digital Inputs"** tab, as per the list below:

- › **Status** (active/inactive - can be read by a SCADA system as a general digital input)
- › **Counter** (up to 10KHz, or 100Hz Debounced)
- › **Frequency** (up to 10KHz)
- › **Flow count** (up to 10KHz)
- › **Flow rate** (up to 10KHz)
- › **RPM** (up to 10KHz)

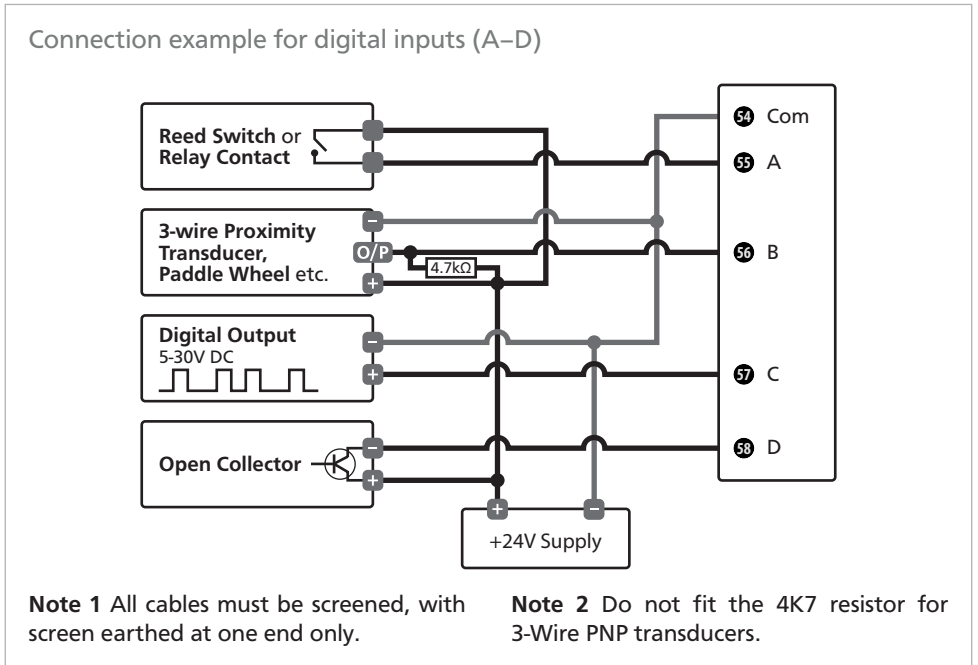
The Zen Datalogger can also be configured as an Intelligent Multiplexer from the **'Retransmission'** tab (see Section 8) - in this case the Digital Inputs are disabled.



Please see p22 for more wiring diagrams.

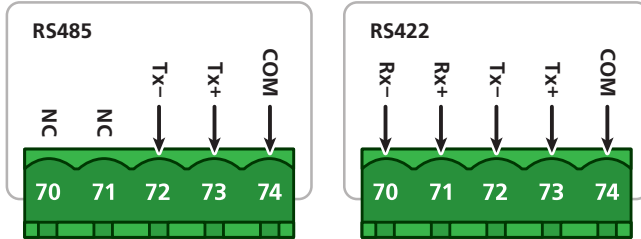


**NOTE**  
 The universal analog inputs can also be wired as digital pulse inputs (see 7.5).



## 6.6 - Port 1

Port 1 on the Zen Datalogger can be purchased with an auto-detecting RS485/RS422 port (order code '-RS'), or as an Ethernet Modbus terminal (order code '-EMOD'). If you have the auto-detecting RS port, refer to the diagrams below for wiring.



### NOTE

Pins marked 'NC' MUST be left disconnected to ensure correct auto-detection of your comm type.

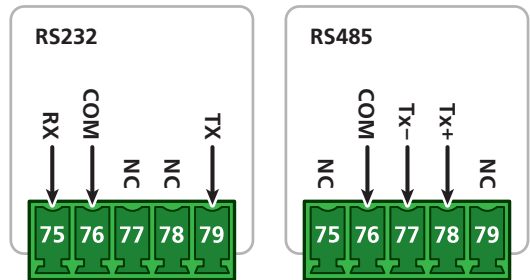
## 6.7 - Port 2

Port 2 can be wired for either RS232 or RS485 serial connection, as shown (right).



### NOTE

Pins marked 'NC' MUST be left disconnected to ensure correct auto-detection of your comm type.



## 7

## INPUT WIRING &amp; SPECIFICATIONS

**CAUTION**

**Risk of electric shock.** Dangerous and lethal voltages may be present on the input terminals. Please take appropriate precautions to ensure safety.

**CAUTION**

**Risk of danger.** The sensor input can potentially float to dangerous and unexpected voltages depending on what external circuit it is connected to. Appropriate considerations must be given to the potential of the sensor input with respect to earth common.

## 7.1 - Current input

Range 0–20mA, 4–20mA

Input impedance 45Ω

Maximum over-range protected by PTC to 24V DC

Accuracy 0.1% FSO max

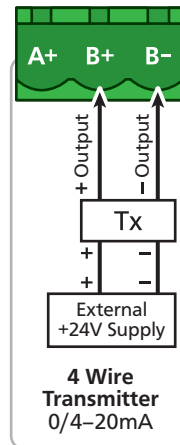
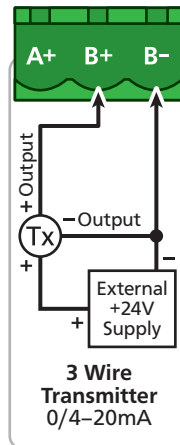
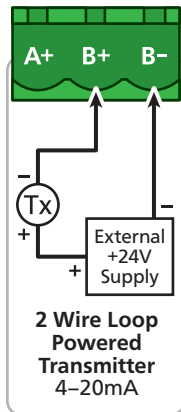
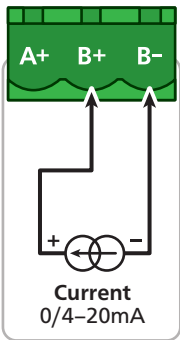
Linearity & repeatability 0.1% FSO max

Channel separation 0.001% max

Ambient drift 0.003%/°C FSO typical

RF immunity 1% effect FSO typical

0/4–20mA DC is the most commonly used analog signal in industry, and is universally accepted. As a current loop, it is unaffected by voltage drops in cables, and can be transmitted over long distances without signal degradation.

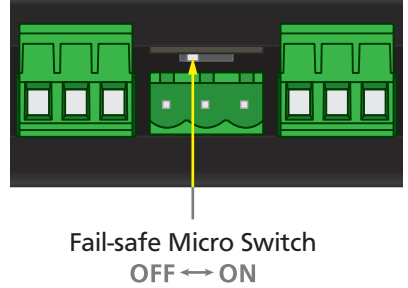




## Fail-Safe Micro Switch

If you are connecting other instruments in a loop with a Zen mA input, a fail-safe has been added to prevent the external loop from being interrupted in the event of a power loss to the Zen.

To activate the fail-safe for an input channel, turn on the micro switch above the input terminal. You will need to remove the input connector to see the switch, and use a small screwdriver to turn it on.

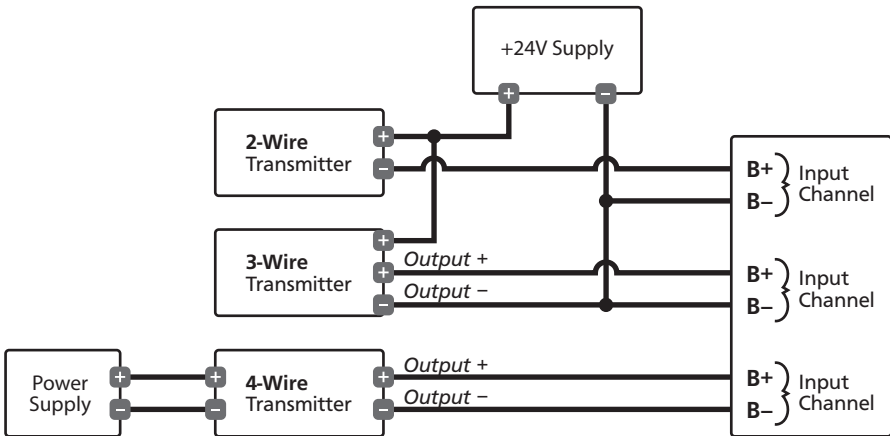


### NOTE

**The Fail-Safe Micro Switch is only compatible with mA inputs.**

For the accurate operation of this instrument, it is critical that the micro switch be set to the OFF position for all other input types.

### Connection example for 2, 3 & 4 wire mA output transmitters



**Note 1** All analog inputs are isolated to other channels and all other voltages. They also have built in over voltage protection to 24V, protecting the unit if the 24V supply is inadvertently connected to the unit when configured for mA input.

**Note 2** All cables must be screened, with screen earthed at one end only.

**Note 3** Do not run input cables in close vicinity to noisy power supplies, contactors or motor cables. The best practice is to run input cables on a separate earthed cable tray. This will minimise RFI effects, of which magnitude cannot be easily predicted.

## 7.2 - Voltage input

**Ranges**  $\pm 200\text{mV}$ ,  $-200\text{mV}$  to  $1\text{V}$ ,  
 $0-10\text{V}$ ,  $0-18\text{V}$

**Input impedance**  $>500\text{K}\Omega$  on all ranges

**Maximum over-voltage**  $24\text{V DC}$

**Accuracy**  $0.1\%$  FSO max

**Linearity & repeatability**  $0.1\%$  FSO max

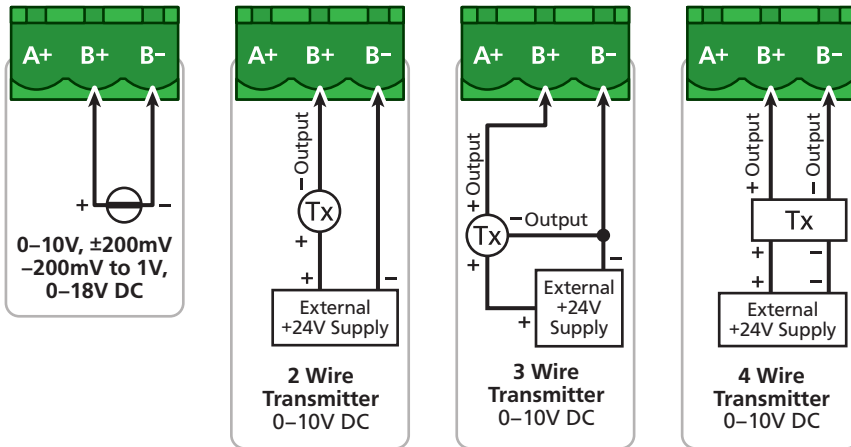
**Channel separation**  $0.001\%$  max

**Ambient drift**  $0.003\%/^{\circ}\text{C}$  FSO typical

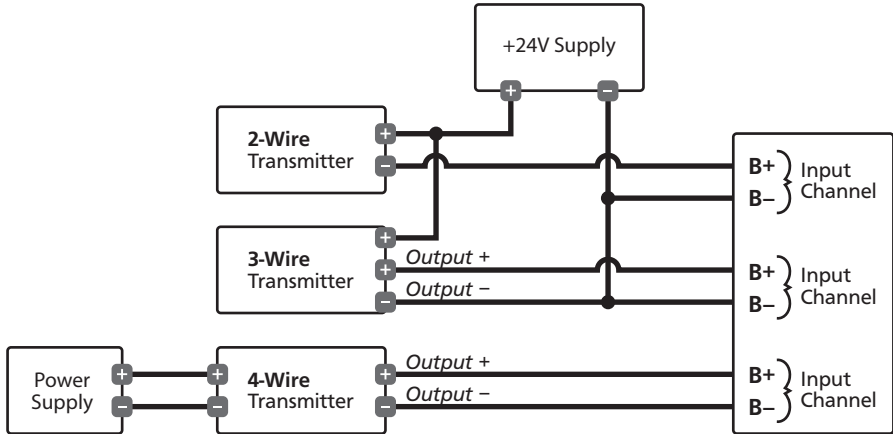
**RF immunity**  $1\%$  effect FSO typical

The Zen Datalogger accepts both voltage and millivolt inputs. Along with the standard  $0-10\text{V}$  DC range, a variety of other ranges are provided to suit a various applications. These can all be selected using the WorkBench software and easily scaled into engineering units.

The  $\pm 200\text{mV}$  DC and  $-200\text{mV}$  to  $1\text{V}$  DC ranges are ideal for low signal applications, such as measuring large DC currents using external current shunts, or interfacing to sensors with low voltage output. A  $0-18\text{V}$  general purpose voltage range is also provided.



### Connection Example for Millivolt & Voltage Inputs for 2, 3 & 4 Wire Transmitters



**Note 1** Each voltage input must not see more than 18V peak between the negative and the input, otherwise permanent damage may occur.

**Note 2** All cables must be screened, with screen earthed at one end only.

**Note 3** Do not run input cables in close vicinity to noisy power supplies, contactors or motor cables. The best practice is to run input cables on a separate earthed cable tray. This will minimise RFI effects, of which magnitude cannot be easily predicted.

## 7.3 - RTD input

**RTD Pt100** 3 wire RTD DIN 43760: 1980

**RTD Pt1000** 3 wire RTD standard

**Resolution**

-328–572°F (-200–300°C) = 0.02°F (0.01°C)

-328–1472°F (-200–800°C) = 0.1°F (0.1°C)

**Lead resistance** 10Ω/lead max recommended

**Sensor current** 0.6mA continuous

**Sensor fail** upscale

**Accuracy**

-328–572°F (-200–300°C) = ±0.1°C

-328–1472°F (-200–800°C) = ±0.3°C

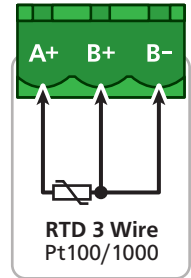
**Ambient drift** 0.003°C/°C typical

The RTD (standing for Resistance Temperature Device) is highly stable and accurate, and is fast becoming the most popular temperature sensor in industry. Often referred to as Pt100 and Pt1000, the Pt represents platinum (the dominant metal in its construction), and 100/1000 is the resistance in ohms at 0°C.

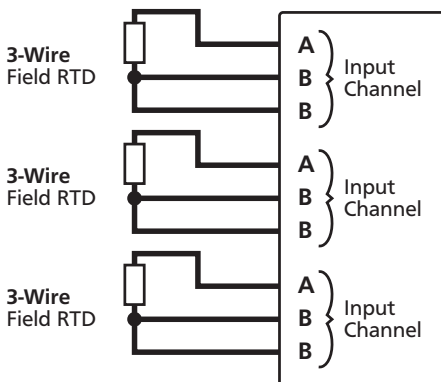
**Supported RTD types/ranges**

**Pt100/Pt1000 (0.02°F/0.01°C res)** -328 to 572°F (-200 to 300°C)

**Pt100/Pt1000 (0.1°F/0.1°C res)** -328 to 1472°F (-200 to 800°C)



**Connection Example for 3-Wire RTD Inputs**



**Note 1** All RTD inputs are isolated from each other.

**Note 2** All RTD cables must be screened, with screen earthed at one end only. All three wires must be the same resistance (i.e. the same type and size).

**Note 3** To minimise lead resistance errors, 3-wire RTD's should be used. Offset errors for 2-wire RTD's may be compensated for in the software.

**Note 4** Do not run input cables in close vicinity to noisy power supplies, contactors or motor cables. The best practice is to run input cables on a separate earthed cable tray. This will minimise RFI effects, of which magnitude cannot be easily predicted.

## 7.4 - Thermocouple input

**Thermocouple types** B, E, J, K, N, R, S or T type (see table below for ranges)

**Cold junction compensation** 14 to 140°F (-10 to 60°C)

**CJC drift** <0.02°C/°C typical for all inputs

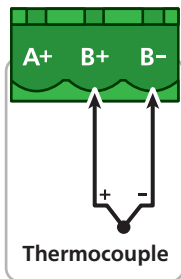
**Sensor open Upscale**

**TC lead resistance** 100Ω max

**Input impedance** >500KΩ

**Accuracy** 0.1% of FSO ±1°C typical

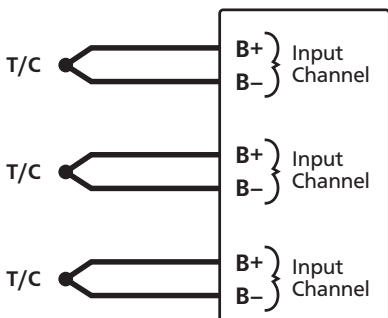
The thermocouple is one of the most common temperature sensors used in industry. It relies on the Seebeck coefficient between dissimilar metals. The thermocouple type is selected with reference to the application temperature range and environment, with J and K type being the most common.



### Supported thermocouple types/ranges

<b>B</b>	32 to 3272°F	(0 to 1800°C)
<b>E</b>	-328 to 1292°F	(-200 to 700°C)
<b>J</b>	-328 to 1832°F	(-200 to 1000°C)
<b>K</b>	-328 to 2300°F	(-200 to 1260°C)
<b>N</b>	-328 to 2372°F	(-200 to 1300°C)
<b>R</b>	32 to 3092°F	(0 to 1700°C)
<b>S</b>	32 to 3092°F	(0 to 1700°C)
<b>T</b>	-328 to 752°F	(-200 to 400°C)

### Connection Example for Thermocouple Inputs



**Note 1** All thermocouple inputs are isolated from each other. There is no need to buy expensive isolated thermocouples.

**Note 2** For accurate thermocouple measurements (especially at low temperatures) the top cover must always be fitted. Avoid drafts and temperature differences across terminals. Once installation is complete, close the cabinet door and allow the cabinet to reach equilibrium. This may take several hours. Place all thermocouple probes into a calibrated thermal bath at temperature of interest. Any offsets can be zeroed out in the software.

**Note 3** All thermocouples are referenced to a combination of four CJC temperature sensors on the main Zen board. This minimizes errors caused by the mounting orientation of the Zen unit, and temperature differences in enclosures. However, for high accuracy applications it is still

recommended to zero errors (see Note 2).

**Note 4** All cables must be screened, with screen earthed at one end only.

**Note 5** When thermocouple inputs are selected, an upscale resistor is automatically connected to the T/C + input, resulting in an overflow condition for open or broken sensors.

**Note 4** Do not run input cables in close vicinity to noisy power supplies, contactors or motor cables. The best practice is to run input cables on a separate earthed cable tray. This will minimise RFI effects, of which magnitude cannot be easily predicted.

## 7.5 - Digital pulse

**Frequency range** 0–2500.0Hz

**Fast counter range** 0–2500.0Hz

**Sensors** Open collector (NPN, PNP), TTL or Clean Contact

**Frequency resolution** 0.1Hz

**Debounce counter range** 0–50Hz max

**Counter register output** 32 bit

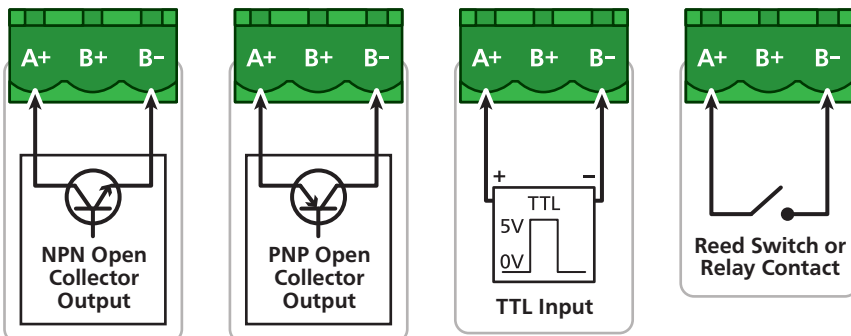
**Accuracy**  $\pm 0.5\%$

The Zen's 16 universal input terminals accept digital inputs from NPN, PNP or TTL sensors as well as Clean Contacts. Pulses up to 2.5kHz can be counted (except for the debounced counter, which has a range of 0–50Hz).

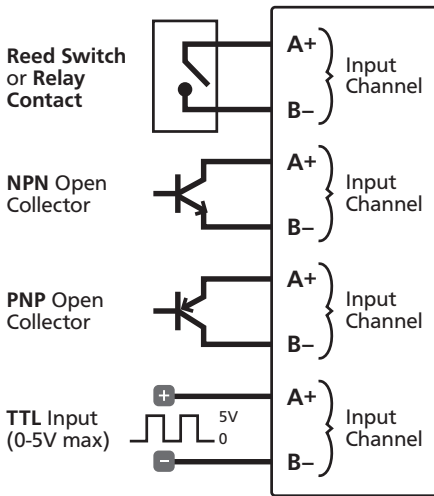
A variety of operating modes are software programmable to suit your application.

Software programmable modes include:

- > General counter
- > General debounced counter (ideal for mechanical relay contacts which are subject to bouncing)
- > General frequency
- > Flow count (uses K-factor)
- > Flow rate (uses K-factor)
- > RPM (uses pulses per revolution)



## Connection Example for Digital Pulse Inputs



**Note 1** All digital inputs are isolated from each other. Inputs from various sources can be connected without fear of crating unwanted and troublesome ground loops.

**Note 2** Software selectable functions include: frequency to 2kHz, debounced counter for contact closures to 100Hz maximum, fast counter to 20KHz.

**Note 3** All cables must be screened, with screen earthed at one end only.

**Note 4** Do not run input cables in close vicinity to noisy power supplies, contactors or motor cables. The best practice is to run input cables on a separate earthed cable tray. This will minimise RFI effects, of which magnitude cannot be easily predicted.

## 7.6 - Potentiometer input

**Potentiometer input 3-wire**

**Excitation voltage** Variable

**Potentiometer resistance** <2k $\Omega$  low pot;  
>2k $\Omega$  high pot

**Field prog zero** 0–90% of span

**Field prog span** 0.1–100%

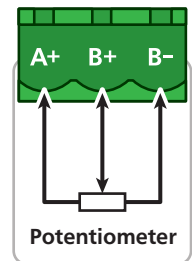
**Linearity and repeatability**  
< $\pm 0.05\%$  FSO typical

**Response time** 100msec

**Temperature drift** <50ppm/ $^{\circ}\text{C}$

A 3 wire potentiometer is typically used to measure position. A low or high potentiometer range can be programmed to your unit using the WorkBench software.

These ranges must be calibrated using the two point calibration method.



## 7.7 - AC current sensor

**Sensor type** Current transformer  
ACCS-420, ACCS-420-L and ACCS-010

**Header selectable amperage range**  
ACCS-420/010 = 100/150/200A  
ACCS-420-L = 10/20/50A

**Output** (Representing 0–100% of full scale input range)  
ACCS-420(-L) = 4–20mA DC loop powered  
ACCS-010 = 0–10V DC

**Isolation voltage** 2,000V

**Power supply**

ACCS-420(-L) = Loop powered, 15–36V DC  
ACCS-010 = Self powered

**Overload (continuous)**

ACCS-420/010 = 175/300/400A respectively  
ACCS-420-L = 80/120/200A respectively

**Accuracy** 1% of full scale




**Response time** 250ms (10–90%)

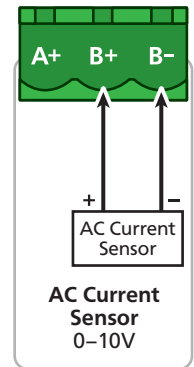
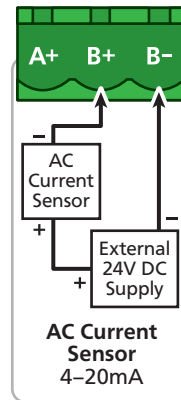
**Frequency** 50–60Hz

The Zen Datalogger accepts input from a Define Instruments AC current sensor.

Set the jumper on the top of the current sensor to the desired current range, as shown below.

**ACCS Jump Ranges**

	0–100A	0–150A	0–200A
<b>010/420:</b>	0–100A	0–150A	0–200A
<b>420-L:</b>	0–10A	0–20A	0–50A
	High	Mid	Low
			



## 7.8 - Attenuator

**Max input voltage** 1000V DC

**Attenuation factor** 1000  
±0.1%

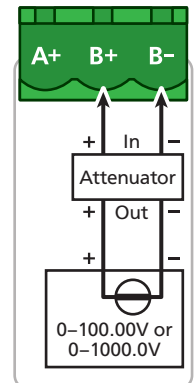
**Input impedance** 3.8MΩ

**Output impedance** 3.8kΩ

**Attenuator type** Differential resistive

**Ambient drift** 50ppm/°C max

This unit accepts input from a high voltage attenuator (HVA-1000).  
Wire the attenuator as shown.



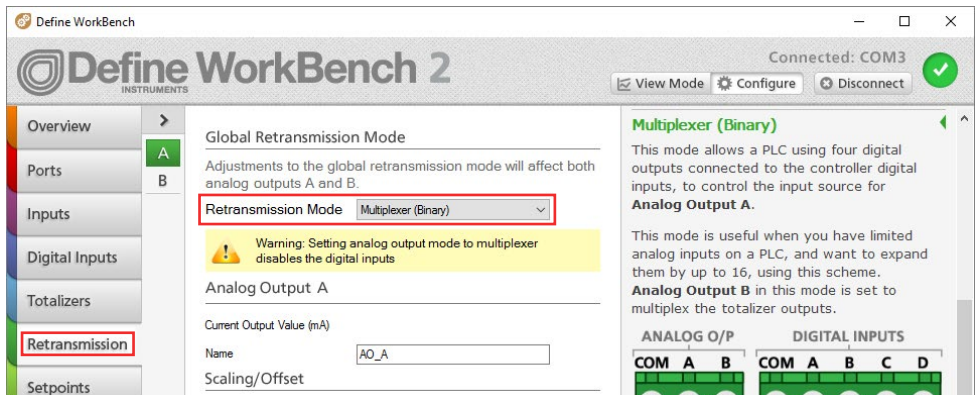


8

CONNECTING TO A PLC

8.1 - Connecting to a PLC as an intelligent multiplexer

the Zen Datalogger can easily be configured as an intelligent multiplexer via the 'Retransmission' tab in Define WorkBench. To do this, select '**Multiplexer (Binary)**' as the **Retransmission Mode** and wire the unit as shown below.



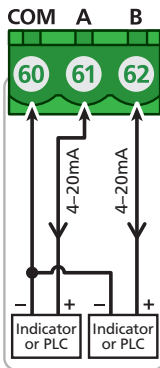
Specifications

**Settling time before reading** 100msec min. Multiple readings with averaging recommended. (Longer times may be required for longer cable lengths and higher resolution.)

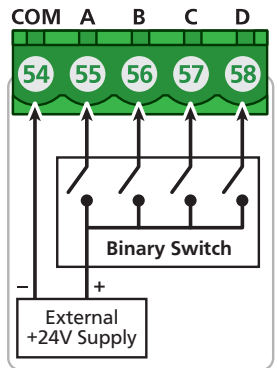
**Binary signal magnitude** 5–30V DC

**Cycle time** 4sec min to cycle through all 16 inputs

**Resolution** 15 bits, 16,000 steps typical



Analog Output



Digital Inputs



NOTE

**Multiplexer Mode uses both the Retransmission Outputs and the Digital Inputs.** Digital Inputs can no longer be configured independently via the 'Digital Inputs' tab.

## Binary Channel Selection

The Binary Channel selection is PLC RTX, and uses the four digital inputs (A–D), as shown below:

- › DI Com = CS Com
- › DI A = Bin 1
- › DI B = Bin 2
- › DI C = Bin 4
- › DI D = Bin 8

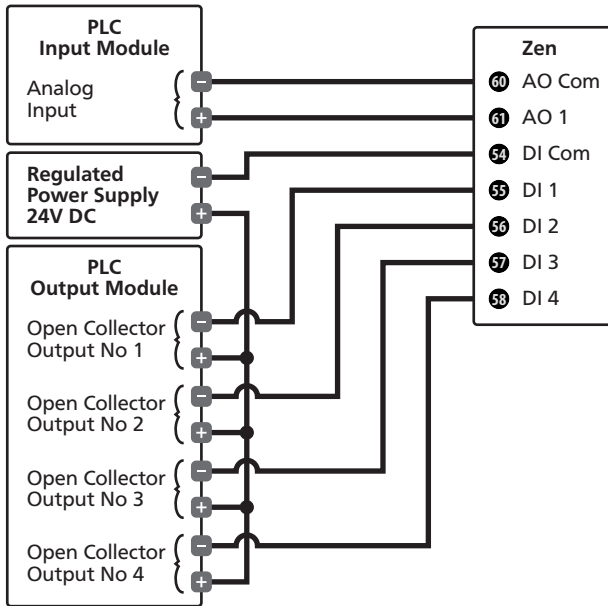
A binary value of '0' indicates no voltage on the terminal, while a value of '1' indicates 5–30V DC on the terminal.

DI A BIN 1	DI B BIN 2	DI C BIN 4	DI D BIN 8	Retrans. Channel
0	0	0	0	1
1	0	0	0	2
0	1	0	0	3
1	1	0	0	4
0	0	1	0	5
1	0	1	0	6
0	1	1	0	7
1	1	1	0	8
0	0	0	1	9
1	0	0	1	10
0	1	0	1	11
1	1	0	1	12
0	0	1	1	13
1	0	1	1	14
0	1	1	1	15
1	1	1	1	16

## Notes & Recommendations

- › Analog Output A is used to retransmit the input process values 1–16, and Analog Output B is used to retransmit the controller setpoints 1–16.
- › The input and output always share the same range. E.g. If Input 1 is ranged 32–212°F (0–100°C) and retransmission Channel 1 is selected on DI A–D, then AO A and AO B are both transmitted as 4–20mA = 32–212°F (0–100°C). Similarly, if Input 2 is ranged for 32–482°F (0–250°C), then AO A and AO B are transmitted as 32–482°F (0–250°C).
- › If AO A process value or AO B setpoint are transmitted to an indicator, then all the inputs must be ranged the same, (unless the indicator is ranged to 0–100%).
- › In the PLC RTX modes, AO B always retransmits the controller setpoint regardless of whether the controller is enabled or not.
- › The PLC RTX modes can operate simultaneously with the Scada Comms, allowing a PLC to read back data that the Scada will be showing.
- › If multiple Zen units are wired to the same PLC, then it is recommended that the analog inputs to the PLC be isolated.

### Connection example for an intelligent multiplexer



**Note 1** In this configuration the DI Com and digital inputs are isolated from the inputs and outputs. The 24V external power supply can therefore be used to power transmitters connected to the Zen's inputs.

**Note 2** Each digital input draws 10mA at 24V DC.

**Note 3** All cables must be screened, with screen earthed at one end only.

**Note 4** There is no limit to the number of Zens that can be connected, except that the power supply and open collector outputs must be able to handle the load.

## 8.2 - Zen registers

Below is a list of the commonly used Zen Datalogger registers. For a full register list, please see the [Zen Registers](http://defineinstruments.com/zen-registers) document, available at: [defineinstruments.com/zen-registers](http://defineinstruments.com/zen-registers)

---

### Analog inputs 32 bit signed registers

<b>Ch1=</b>	645/646	<b>Ch2=</b>	647/648
<b>Ch3=</b>	649/650	<b>Ch4=</b>	651/652
<b>Ch5=</b>	653/654	<b>Ch6=</b>	655/656
<b>Ch7=</b>	657/658	<b>Ch8=</b>	659/660
<b>Ch9=</b>	661/662	<b>Ch10=</b>	663/664
<b>Ch11=</b>	665/666	<b>Ch12=</b>	667/668
<b>Ch13=</b>	669/670	<b>Ch14=</b>	671/672
<b>Ch15=</b>	673/674	<b>Ch16=</b>	675/676

---

### Analog inputs 32 bit floating point

<b>Ch1=</b>	1193/1194	<b>Ch2=</b>	1195/1196
<b>Ch3=</b>	1197/1198	<b>Ch4=</b>	1199/1200
<b>Ch5=</b>	1201/1202	<b>Ch6=</b>	1203/1204
<b>Ch7=</b>	1205/1206	<b>Ch8=</b>	1207/1208
<b>Ch9=</b>	1209/1210	<b>Ch10=</b>	1211/1212
<b>Ch11=</b>	1213/1214	<b>Ch12=</b>	1215/1216
<b>Ch13=</b>	1217/1218	<b>Ch14=</b>	1219/1220
<b>Ch15=</b>	1221/1222	<b>Ch16=</b>	1223/1224

---

### Counter/frequency inputs 32 bit signed integers

<b>Counter1=</b>	525/526
<b>Counter2=</b>	527/528
<b>Counter3=</b>	529/530
<b>Counter4=</b>	531/532

---

### Totalizers 32 bit signed integers

<b>Total1=</b>	289/290	<b>Total2=</b>	291/292
<b>Total3=</b>	293/294	<b>Total4=</b>	295/296
<b>Total5=</b>	297/298	<b>Total6=</b>	299/300
<b>Total7=</b>	301/302	<b>Total8=</b>	303/304
<b>Total9=</b>	305/306	<b>Total10=</b>	307/308

## 9

## MAINTENANCE

## 9.1 - Calibration

Your Zen Datalogger has been fully calibrated at the factory, and can be recalibrated in software using Define WorkBench (see Section 4). Scaling to convert the input signal to a desired display value is also done using WorkBench

If your Zen unit appears to be behaving incorrectly or inaccurately, refer to troubleshooting before attempting to calibrate it. When recalibration is required (generally every 2 years), it should only be performed by qualified technicians using appropriate equipment.

Calibration does not change any user programmed parameters. However, it may affect the accuracy of the input signal values previously stored.

## 9.2 - Troubleshooting

Issue	Resolution
<b>Input signal is not reading correctly</b>	<i>Check positioning of fail-safe micro switch</i> The fail-safe micro switch should be switched off for all input types except mA. See 7.1 to confirm.
<b>Auto-detecting RS Port is not working</b>	Ensure that any terminal connections marked 'NC' are left open - otherwise the Zen will not be able to auto-detect your serial type.
<b>Beat light stays ON for more than 1 minute</b>	This indicates an error. Please return the Zen RTU to the manufacturer for analysis and repair.
<b>Cannot power up unit</b>	Check the power supply connections and supply range. (The polarity on the power input is irrelevant.)
<b>Ethernet device does not appear on the network when trying to connect in WorkBench</b>	Repower the device after you plug in the ethernet cable to ensure that it appears on the network.

For further assistance, please contact technical support using the contact details listed at the end of this document.

## A

## APPENDIX A - EMC TEST RESULTS

## Statement of compliance

Products in the Define Instruments 'Zen' series comply with EN 61326-1:2006.

## Results summary

The results from testing carried out in March 2014 are summarized in the following tables.

## Immunity - Enclosure Ports

Phenomenon	Basic Standard	Test Value	Performance Criteria
<b>EM Field</b>	IEC 61000-4-3	10Vm (80MHz to 1GHz) 3V/m (1.4–2.7GHz)	Meets Criterion A
<b>Electrostatic Discharge (ESD)</b>	IEC 61000-4-2	4kV/8kV contact/air	Meets Criterion A (Note 1) Meets NAMUR NE 21 recommendation

## Immunity - Signal Ports

Phenomenon	Basic Standard	Test Value	Performance Criteria
<b>Conducted RF</b>	IEC 61000-4-6	3V (150kHz to 80MHz)	Meets Criterion A
<b>Burst</b>	IEC 61000-4-4	1kV (5/50ns, 5kHz) 1kV (5/50ns, 100kHz)	Meets Criterion A (Note 1) Meets NAMUR NE 21 recommendation
<b>Surge</b>	IEC 61000-4-5	1kV L-E	Meets Criterion A (Note 1)

## Immunity - AC Power

Phenomenon	Basic Standard	Test Value	Performance Criteria
<b>Conducted RF</b>	IEC 61000-4-6	3V(150Khz to 80Mhz)	Meets Criterion A
<b>Burst</b>	IEC 61000-4-4	2kV (5/50ns, 5kHz) L-N 1kV (5/50ns, 5kHz) L-L	Meets Criterion A Meets Criterion A
<b>Surge</b>	IEC 61000-4-5	2kV L-E 1KV L-L	Meets Criterion A Meets Criterion A (Note 1)
<b>Voltage Dips</b>	IEC 61000-4-11	0% during 1 cycle 40% during 10/12 cycles 70% during 25/30 cycles	Meets Criterion A Meets Criterion A Meets Criterion A
<b>Short Interruptions</b>	IEC 61000-4-11	0% during 250/300 cycles	Meets Criterion A (Note 1)

## Performance Criteria

### *Performance Criterion A*

During the test, normal performance within the specification limits.

### *Performance Criterion B*

During testing, temporary degradation, or loss of performance or function which is self-recovering.

### *Performance Criterion C*

During testing, temporary degradation, or loss of function or performance which requires operator intervention or system reset occurs.

\*Note 1: EN61326-1 calls for a Criterion B pass; unit exceeds this by meeting Criterion A.

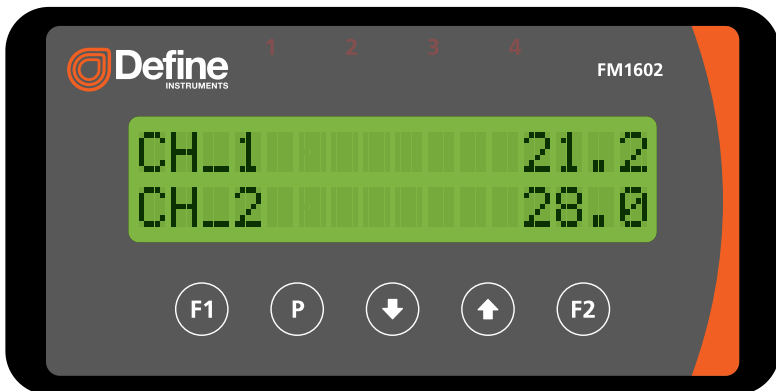
## B

## APPENDIX B - OPTIONAL FM1602 DISPLAY

The **FM1602** display can be purchased separately to enable fast, field viewing of your input channel data, without connecting to WorkBench. The display is configured to function with your Zen Datalogger automatically, with no setup required.

Simply connect the HMI ribbon cable to your Zen's display port (shown in 6.1). The **FM1602** will immediately display the current values for input channels 1 and 2 (pictured below).

To view other input channels, press the  and  buttons to toggle forwards/backwards to the next data pair.





---

## Define Instruments

### New Zealand (Head Office)

 10B Vega Place, Rosedale,  
Auckland 0632, New Zealand  
PO Box 245 Westpark Village,  
Auckland 0661, New Zealand

Ph: +64 (9) 835 1550

Fax: +64 (9) 835 1250

 [sales@defineinstruments.co.nz](mailto:sales@defineinstruments.co.nz)

[www.defineinstruments.co.nz](http://www.defineinstruments.co.nz)

### United States (Dallas, TX)

Ph: (214) 926 4950

 [sales@defineinstruments.com](mailto:sales@defineinstruments.com)

[www.defineinstruments.com](http://www.defineinstruments.com)

---

### South Africa (Pretoria)

 [sales@defineinstruments.co.za](mailto:sales@defineinstruments.co.za)

[www.defineinstruments.co.za](http://www.defineinstruments.co.za)