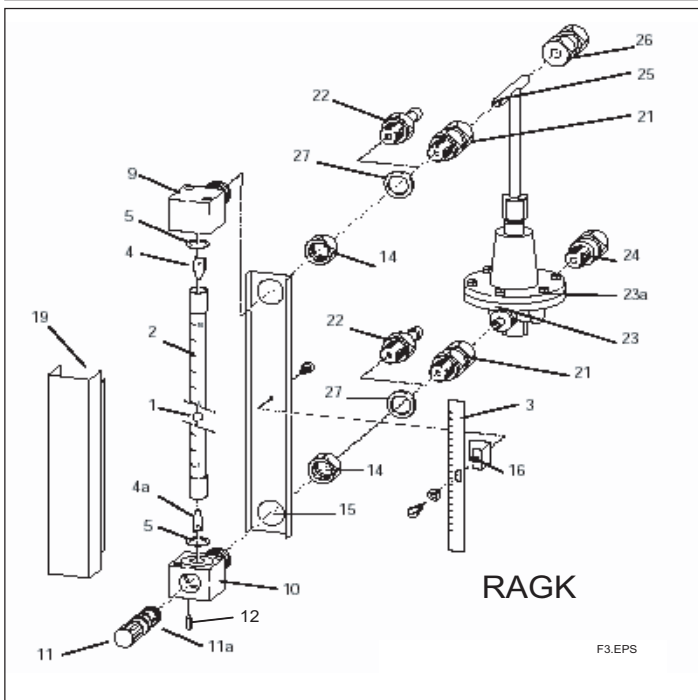
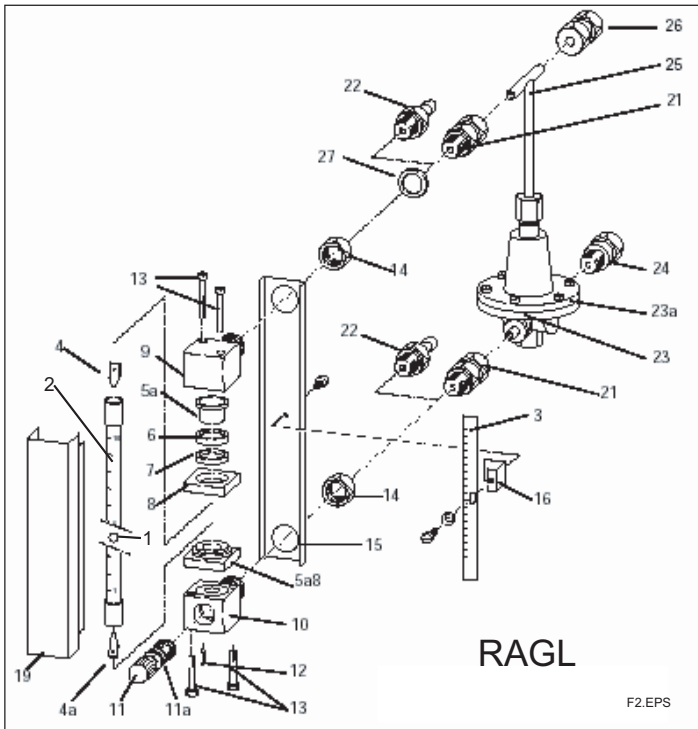


- Assembling Position** : Vertical
- Hints for Assembly** : Must be free of tension. Vibration must be avoided.
- Commissioning** : Reading point : conical float : top edge spherical float : top end
- Maintenance** : If the float does not move freely in the flow or if pollution can be seen in the glass measuring tube the tube must be cleaned.
To clean the measuring tube, remove it from the fitting. First remove the protective cap, then unfasten the screws (13, RAGL) and take the measuring tube forward complete with all sealing components out of the fitting. With the RAGK type, the device must be removed from the tube and the head pieces must be screwed off the rear plate and pulled off the measuring tube. Now the stops (4) and (4a) can be removed and the float can be taken out of the tube.
- CAUTION** : The float can easily be lost. Please disassemble the device on a working surface where nothing can fall or roll off, such as trays or cardboard boxes. With RAGL / RAGK with valve the complete valve unit can be pulled forward after loosening the safety screw. All maintenance operations at the Rotameter (for example withdrawing of the valve gland or removal of the tube) are only permitted when the meter is fully drained and without pressure. Note: In case of a built-in valve, place the safety screw correctly into the designed bore. In case of a defect of the display unit, the cover of the display unit can be removed after loosening the cover screws. When the display unit is taken out, recalibration will be necessary.
- Hints for Cleaning** : The measuring tube and float may be cleaned with alcohol. When cleaning a plastic float, please be careful when using solvents. Do not leave plastic floats in solvents for lengthy periods of time. After cleaning the tube, blow it dry. If there is considerable dirt accumulation on the tube, wash it in hot soap and water solution. Use bottle brushes only when there is no risk of damaging the inside of the tube. Please rinse with distilled water or alcohol.
- CAUTION** : The tubes are calibrated individually. The measuring tube, the float and the scale must be kept together.
- Safety Hints** : The measuring tube is made of glass and therefore fragile. All kinds of damage coming from the outside must be avoided. The maximum specified pressures must not be exceeded. Tension in the glass over 6N/mm² have to be avoided. Therefore the temperature difference in the glass may not exceed 40°C. Please avoid temperature shocks. ROTA YOKOGAWA does not give any warranty in case of improper use of Glass-Rotameter.
- Units with limit switches /GI1...GI4** : See instruction manual IM 01R01B14-E-H.
Particularly the explanations at explosion proof must be regarded for units with option /XE.



No.	Quantity RAGL	Quantity RAGK	Description
1	1	1	Float
2	1	1	Measuring tube
3	1	1	Exchangable scale
4	1	1	Top stop
4a	1	1	Bottom stop
5	-	2	O-ring gasket
5a	2	-	Gasket
6	2	-	Ring
7	2	-	Ring
8	2	-	Pressure lange
9	1	1	Top head
10	1	1	Bottom head
11	1	1	Complete valve
11a	2	2	O-ring
12	1	1	Screw
13	4	-	DIN 84 screw
14	2	2	Nut
15	1	1	Rear plate
16	1	1	Scale holder
19	1	1	Cover
21	2	2	Cutting ring threaded joint
22	2	2	Hose nozzle
23	1	1	Differential pressure control
23a	1	1	Diaphragm
24	1	1	Cutting ring threaded joint
25	1	1	Joining piece
26	1	1	Cutting ring threaded joint

EUROPEAN HEADQUARTERS
Yokogawa Europe B.V.
Databankweg 20
3821 AL AMERSFOORT
The Netherlands
Tel. +31-33-4641 611
Fax +31-33-4641 610
E-mail: info@yokogawa.nl
www.yokogawa-europe.com

THE NETHERLANDS
Yokogawa Nederland B.V.
Hoofdveste 11
3992 DH HOUTEN
Tel. +31-30-635 77 77
Fax +31-30-635 77 70

AUSTRIA
Yokogawa Ges.m.b.H.
Central East Europe
Franzosengraben 1
A-1030 WIEN
Tel. +43-1-206 340
Fax +43-1-206 34 800

BELGIUM
Yokogawa Belgium N.V./S.A.
Minervastraat 16
1930 ZAVENTEM
Tel. +32-2-719 55 11
Fax +32-2-725 34 99

NORTHERN EUROPE
Yokogawa Nordic A.B.
Finlandsгатan 52, 2fl
SE-164 74 Kista
STOCKHOLM
Tel. +46-8-477-1900
Fax +46-8-477-1999

FRANCE
Yokogawa France S.A.
Velizy Valley
18-20 Rue Grange Dame Rose
78140 VELIZY VILLACOUBLAY
Tel. +33-1-39 26 10 00
Fax +33-1-39 26 10 30

GERMANY
Yokogawa Deutschland GmbH
Berliner Strasse 101-103
D-40880 RATINGEN
Tel. +49-2102-4983 0
Fax +49-2102-4983 22

HUNGARY
Yokogawa Hungaria Ltd.
Alkotás Center 39 C
1123 BUDAPEST
Tel. +36-1-355 3938
Fax +36-1-355 3897

ITALY
Yokogawa Italia S.r.l.
Vicolo D. Pantaleoni, 4
20161 MILANO
Tel. +39-02-66 24 11
Fax +39-02-645 57 02

SPAIN/PORTUGAL
Yokogawa Iberia S.A.
C/Francisco Remiro, N°2, Edif. H
28028 MADRID
Tel. +34-91-724 20 80
Fax +34-91-355 31 40

UNITED KINGDOM
Yokogawa United Kingdom Ltd.
Stuart Road, Manor Park,
RUNCORN
Cheshire WA7 1TR
Tel. +44-1-928 597100
Fax +44-1-928 597101

AUSTRALIA
Yokogawa Australia Pty Ltd.
Private mail bag 24
Centre Court D3
25-27 Paul Street North
NORTH RYDE, N.S.W. 2113
Tel. +61-2-805 0699
Fax +61-2-888 1844

SINGAPORE
Yokogawa Engineering Asia Pte. Ltd.
11, Tampines Street 92
SINGAPORE, 528872
Tel. +65-783 9537
Fax +65-786 2606

Manufactured by:
GERMANY
Rota Yokogawa GmbH & Co. KG
Rheinstrasse 8
D-79664 WEHR
Tel. +49-7761-567 0
Fax +49-7761-567 126

SOUTH AFRICA
Yokogawa South Africa (Pty) Ltd.
67 Port Road, Robertsham
Southdale 2135, JOHANNESBURG
Tel. +27-11-680-5420
Fax +27-11-680-2922

UNITED STATES OF AMERICA
Yokogawa Corporation of
America
2 Dart Road
NEWNAN, GA 30265-1040
Tel. +1-770-253 70 00
Fax +1-770-251 28 00



CENTRAL/EAST REGION
Via Yokogawa Ges.m.b.H.:
Czechia, Slovakia, Poland,
Croatia, Slovenia, Jugoslavia,
Bulgaria, Romania, Macedonia,
Bosnia & Herzegovina

Distributors in:
Denmark, Finland, Greece,
Norway, Portugal, Russian
Federation, Sweden,
Switzerland and Turkey.

YOKOGAWA ◆