

Class I Div 2 certified accelerometer




780A-D2

SPECIFICATIONS

| | | |
|---|---------------------------------|------------------------------------|
| Sensitivity, ±5%, 25°C | | 100 mV/g |
| Acceleration range | | 80 g peak |
| Amplitude nonlinearity | | 1% |
| Frequency response: | ±5% | 1 - 7,000 Hz |
| | ±10% | 0.7 - 9,000 Hz |
| | ±3 dB | 0.4 - 14,000 Hz |
| Resonance frequency | | 30 kHz |
| Transverse sensitivity, max | | 5% of axial |
| Temperature response: | -55°C | -20% |
| | +120°C | +10% |
| Power requirement: | Voltage source | 18 - 30 VDC |
| | Current regulating diode | 2 - 10 mA |
| Electrical noise, equiv. g, nominal: | | |
| Broadband | 2.5 Hz to 25 kHz | 500 µg |
| Spectral | 10 Hz | 7 µg/√Hz |
| | 100 Hz | 4 µg/√Hz |
| | 1,000 Hz | 2 µg/√Hz |
| Output impedance, max | | 100 Ω |
| Bias output voltage | | 12 VDC |
| Grounding | | case isolated, internally shielded |
| Temperature range | | -55° to +120°C |
| Vibration limit | | 500 g peak |
| Shock limit | | 5,000 g peak |
| Electromagnetic sensitivity, equiv. g, max | | 70 µg/gauss |
| Sealing | | hermetic |
| Base strain sensitivity, max | | 0.0002 g/µstrain |
| Sensing element design | | PZT, shear |
| Weight | | 62 grams |
| Case material | | 316L stainless steel |
| Mounting | | 1/4-28 UNF tapped hole |
| Output connector | | 2 pin, MIL-C-5015 style |
| Mating connector | | R6 type |
| Recommended cabling | | J10 / J9T2A |

Note: Frequency response limits and spectral noise values are typical.
Accessories supplied: SF6 mounting stud; calibration data (level 2)

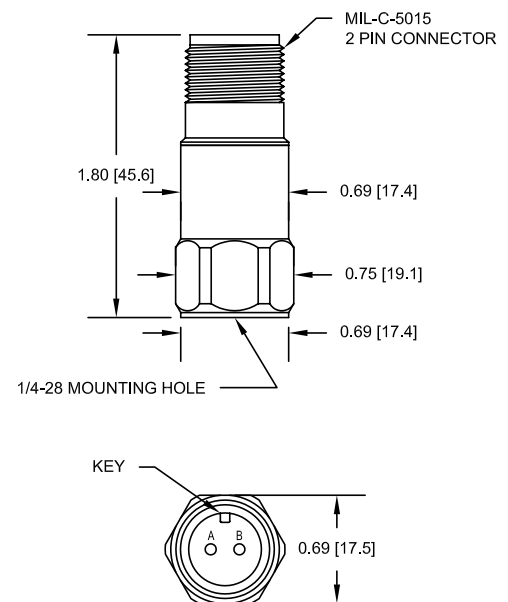
Certifications

| | | |
|---|---|---|
|  Class I, Div 2 Groups A, B, C, D Class I, Zone 2 AEx/Ex nA II T4 Tamb: -50°C to 120°C |  II 3 G Ex nA IIC T4 Gc |  |
| | | |



Key features

- Compact, lightweight
- Class I, Div 2/Zone 2 certified, non-incendive
- API 670 compliant
- Manufactured in ISO 9001 facility



| Connections | |
|--------------|---------------|
| Function | Connector pin |
| power/signal | A |
| common | B |
| ground | shell |

Note: Due to continuous process improvement, specifications are subject to change without notice. This document is cleared for public release.