

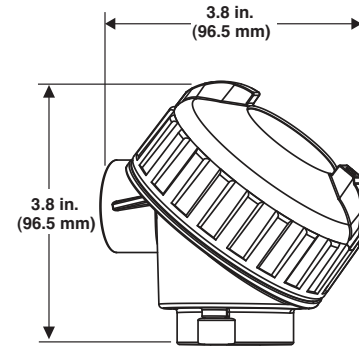
Accessories

Connection Heads and Blocks

Standard Thermocouple Connection Heads

(Assembly ordering options D or E)

Watlow's standard heads are made of cast iron or aluminum. A plated chain attaches the gasketed cover to the body. Flats are provided for tightening. The connector block, held in place with two screws, can be single, duplex or triplex. These heads have 1, $\frac{3}{4}$ or $\frac{1}{2}$ inch NPT openings for protecting tubes or drilled wells. The conduit outlet is $\frac{3}{4}$ inch NPT. Epoxy coating is available on the aluminum head. Maximum operating temperature is 825°F (441°C).

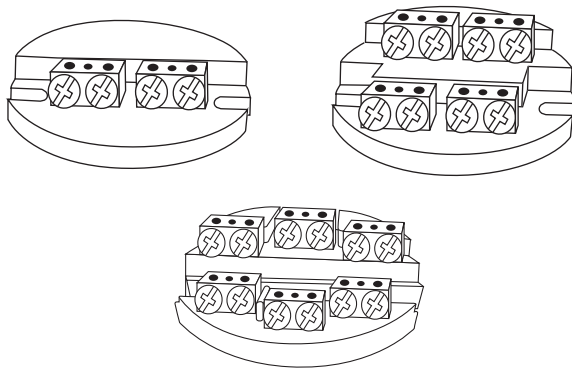


Approximate Assembled Dimensions:
3.8 in. (96.5 mm) H x 3.8 in. (96.5 mm) L x
3.8 in. (96.5 mm) W

Cast Iron Head Only Part No.	Aluminum Head Only Part No.	Sensor Opening (NPT) in.	Conduit Connection in.
70900201	—	1	$\frac{3}{4}$
70900202	—	$\frac{3}{4}$	$\frac{3}{4}$
70900203	70900301*	$\frac{1}{2}$	$\frac{3}{4}$

*Available with epoxy coating (70900302)

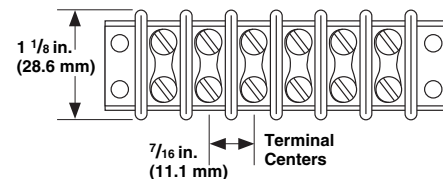
Terminal Blocks for Standard Connection Heads



Part No.	Description
50500401	Single element, max. operating temperature 1000°F (540°C)
50500501	Dual, max. operating temperature 1000°F (540°C)
50500601	Triplex, max. operating temperature 1000°F (540°C)

Note: All accessories are subject to minimum purchase quantities.

Barrier Type Terminal Strips



Standard barrier type terminal strips made of molded phenolic blocks with nickel plated brass terminals are available with two to 18 terminals and a temperature range of -55 to 300°F (-48 to 149°C). Terminal strips using thermocouple material also are available. **Note:** Two terminals required for each thermocouple.

Ordering Information:

Specify 4201- _____ **-BR**

Insert the number of terminals desired (02 to 18) in the blank. For terminals of thermocouple material, insert thermocouple calibration symbol in place of BR (K, J, E, T and R/S). Terminal strips then will be supplied with alternate positive and negative strips.