

GE  
Intelligent Platforms

Programmable Control Products

# VersaMax\*

Modules, Power Supplies and  
Carriers

User Manual, GFK-1504N

August 2014



*These instructions do not purport to cover all details or variations in equipment, nor to provide for every possible contingency to be met during installation, operation, and maintenance. The information is supplied for informational purposes only, and GE makes no warranty as to the accuracy of the information included herein. Changes, modifications, and/or improvements to equipment and specifications are made periodically and these changes may or may not be reflected herein. It is understood that GE may make changes, modifications, or improvements to the equipment referenced herein or to the document itself at any time. This document is intended for trained personnel familiar with the GE products referenced herein.*

*This document is approved for public disclosure.*

*GE may have patents or pending patent applications covering subject matter in this document. The furnishing of this document does not provide any license whatsoever to any of these patents.*

*GE provides the following document and the information included therein as is and without warranty of any kind, expressed or implied, including but not limited to any implied statutory warranty of merchantability or fitness for particular purpose.*

*For further assistance or technical information, contact the nearest GE Sales or Service Office, or an authorized GE Sales Representative.*

Revised: Aug 2014

Issued: Sept 2006

Copyright © 2006 - 2014 General Electric Company, All rights reserved.

---

**\* Indicates a trademark of General Electric Company and/or its subsidiaries. All other trademarks are the property of their respective owners.**

Refer to the section, [Contact Information](#) for support on this product.

## Contact Information

---

If you purchased this product through an Authorized Channel Partner, contact the seller directly.

### General Contact Information

Online technical support and GlobalCare	<a href="http://www.ge-ip.com/support">http://www.ge-ip.com/support</a>
Additional information	<a href="http://www.ge-ip.com/">http://www.ge-ip.com/</a>
Solution Provider	<a href="mailto:solutionprovider.ip@ge.com">solutionprovider.ip@ge.com</a>

### Technical Support

If you have technical problems that cannot be resolved with the information in this guide, contact us by telephone or email, or on the web at [www.ge-ip.com/support](http://www.ge-ip.com/support).

### Americas

Online Technical Support	<a href="http://www.ge-ip.com/support">www.ge-ip.com/support</a>
Phone	1-800-433-2682
International Americas Direct Dial	1-780-420-2010 (if toll free 800 option is unavailable)
Technical Support Email	<a href="mailto:support.ip@ge.com">support.ip@ge.com</a>
Customer Care Email	<a href="mailto:customercare.ip@ge.com">customercare.ip@ge.com</a>
Primary language of support	English

### Europe, the Middle East, and Africa

Online Technical Support	<a href="http://www.ge-ip.com/support">www.ge-ip.com/support</a>
Phone	+800-1-433-2682
EMEA Direct Dial	+420-23-901-5850 (if toll free 800 option is unavailable or dialing from a mobile telephone)
Technical Support Email	<a href="mailto:support.emea.ip@ge.com">support.emea.ip@ge.com</a>
Customer Care Email	<a href="mailto:customercare.emea.ip@ge.com">customercare.emea.ip@ge.com</a>
Primary languages of support	English, French, German, Italian, Czech, Spanish

### Asia Pacific

Online Technical Support	<a href="http://www.ge-ip.com/support">www.ge-ip.com/support</a>
Phone	+86-400-820-8208 +86-21-3217-4826 (India, Indonesia, and Pakistan)
Technical Support Email	<a href="mailto:support.cn.ip@ge.com">support.cn.ip@ge.com</a> (China) <a href="mailto:support.jp.ip@ge.com">support.jp.ip@ge.com</a> (Japan) <a href="mailto:support.in.ip@ge.com">support.in.ip@ge.com</a> (remaining Asia customers)
Customer Care Email	<a href="mailto:customercare.apo.ip@ge.com">customercare.apo.ip@ge.com</a> <a href="mailto:customercare.cn.ip@ge.com">customercare.cn.ip@ge.com</a> (China)

# Contents

---

<b>Introduction .....</b>	<b>1-1</b>
Getting Started .....	1-1
The VersaMax Family of Products.....	1-3
CPU Modules for VersaMax PLCs.....	1-4
Network Interface Units.....	1-6
Power Supplies .....	1-8
I/O Modules.....	1-9
Discrete Module Point LEDs.....	1-9
Carriers .....	1-13
Expansion Modules.....	1-15
Communications Modules.....	1-17
VersaMax General Product Specifications .....	1-19
<b>Installation .....</b>	<b>2-1</b>
Preinstallation Check .....	2-2
Thermal Considerations.....	2-4
DIN Rail and Panel Mounting.....	2-5
Installing an Expansion Transmitter Module.....	2-7
Installing a Power Supply.....	2-12
System Wiring Guidelines.....	2-14
System Grounding .....	2-19
Installing Wiring for I/O Devices.....	2-20
Installing Modules .....	2-39
<b>Power Supplies .....</b>	<b>3-1</b>
IC200PWR001 24VDC Power Supply .....	3-2
IC200PWR002 24VDC Expanded 3.3 V Power Supply .....	3-4
IC200PWR011 and IC200PWR012 24VDC Isolated Power Supplies .....	3-6
IC200PWR101 120/240VAC Power Supply .....	3-9
IC200PWR102 120/240VAC Expanded 3.3V Power Supply .....	3-11
IC200PWR201 12VDC Power Supply .....	3-13
IC200PWR202 12VDC Expanded 3.3 V Power Supply .....	3-15
<b>Carriers .....</b>	<b>4-1</b>
IC200CHS001 Barrier-Style I/O Carrier .....	4-2
IC200CHS002 Box-Style I/O Carrier .....	4-5
IC200CHS003 Connector-Style I/O Carrier .....	4-8
IC200CHS005 Spring-Style I/O Carrier .....	4-11
IC200CHS022 Compact Box-Style I/O Carrier .....	4-14

# Contents

---

IC200CHS025 Compact Spring-Style I/O Carrier .....	4-17
IC200CHS006 Communications Carrier .....	4-20
IC200PNS001 and IC200PNS001 PROFINET Scanner Carriers .....	4-21
IC200PWB001 Power Supply Booster Carrier .....	4-23
<b>Interposing Terminals and Auxiliary I/O Terminal Strips .....</b>	<b>5-1</b>
IC200CHS011 Barrier-Style Interposing I/O Terminals .....	5-2
IC200CHS012 Box-Style Interposing I/O Terminals.....	5-4
IC200CHS014 Thermocouple Compensation Box-Style Interposing I/O Terminals.....	5-6
IC200CHS015 Spring-Style Interposing I/O Terminals.....	5-8
IC200CHS101, Main Base IC200CHS102, Expansion Base Disconnect-Style Interposing I/O Terminals .....	5-10
IC200CHS111, Main Base IC200CHS112, Expansion Base Relay-Style Interposing I/O Terminals .....	5-14
IC200CHS121, Main Base IC200CHS122, Expansion Base Fuse-Style Interposing I/O Terminals .....	5-20
IC200TBM001: Barrier-Style Auxiliary I/O Terminal Strip.....	5-24
IC200TBM002 Box-Style Auxiliary I/O Terminal Strip .....	5-25
IC200TBM005 Spring-Style Auxiliary I/O Terminal Strip .....	5-26
<b>Expansion Modules .....</b>	<b>6-1</b>
IC200ETM001 Expansion Transmitter Module .....	6-2
IC200ERM001 Expansion Receiver Module, Isolated.....	6-7
IC200ERM002 Expansion Receiver Module, Non-isolated .....	6-14
<b>Discrete Input Modules .....</b>	<b>7-1</b>
IC200MDL140 Input Module, 120VAC 8 Points .....	7-2
IC200MDL141 Input Module, 240VAC 8 Points .....	7-5
IC200MDL143 Input Module, 120VAC Isolated 8 Points.....	7-8
IC200MDL144 Input Module, 240VAC Isolated 4 Points.....	7-11
IC200MDL240 Input Module, 120VAC 16 Points .....	7-14
IC200MDL241 Input Module, 240VAC16 Points .....	7-18
IC200MDL243 Input Module, 120VAC Isolated 16 Points.....	7-22
IC200MDL244 Input Module, 240VAC Isolated 8 Points.....	7-26
IC200MDL631 Input Module, 125VDC Pos/Neg Logic Isolated 8 Points..	7-29
IC200MDL632 Input Module, 125VDC Pos/Neg Logic Isolated 16 Points	7-32
IC200MDL635 Input Module, 48VDC Pos/Neg Logic Grouped 16 Points.	7-36
IC200MDL636 Input Module, 48VDC Pos/Neg Logic Grouped 32 Points.	7-39
IC200MDL640 Input Module, 24VDC Pos/Neg Logic 16 Points.....	7-43

# Contents

---

IC200MDL643 Input Module, 5/12VDC Pos/Neg Logic Grouped 16 Points .....	7-46
IC200MDL644 Input Module, 5/12VDC Pos/Neg Logic Grouped 32 Point .....	7-50
IC200MDL650 Input Module, 24VDC Pos/Neg Logic 32 Points.....	7-54
<b>Discrete Output Modules .....</b>	<b>8-1</b>
IC200MDL329 Output Module, 120VAC 0.5 Amp, Isolated 8 Points .....	8-2
IC200MDL330 Output Module, 120VAC 0.5 Amp, Isolated 16 Points .....	8-6
IC200MDL331 Output Module, 120VAC 2.0 Amp, Isolated 8 Points .....	8-10
IC200MDL730 Output Module, 24VDC Positive Logic 2.0 Amps, w/ESCP 8 Points.....	8-14
IC200MDL740 Output Module, 12/24VDC Positive Logic 0.5 Amp, 16 Points .....	8-17
IC200MDL741 Output Module, 24VDC Positive Logic 0.5 Amp, w/ESCP 16 Points.....	8-21
IC200MDL742 Output Module, 24VDC Positive Logic 0.5 Amp, w/ESCP 32 Points.....	8-25
IC200MDL743 Output Module, 5/12/24V DC Negative Logic 0.5 Amp, 16 Points .....	8-29
IC200MDL744 Output Module, 5/12/24VDC Negative Logic 0.5 Amp, 32 Points .....	8-32
IC200MDL750 Output Module, 12/24VDC Positive Logic 0.5 Amp, 32 Points .....	8-36
IC200MDL930 Output Module, Relay 2.0 Amp Isolated Form A 8 Points .....	8-40
IC200MDL940 Output Module, Relay 2.0 Amp, Isolated Form A 16 Points .....	8-44
<b>Discrete Mixed Modules .....</b>	<b>9-1</b>
IC200MDD840 Mixed Module, 24VDC Positive Logic Input 20 Points / Output Relay 2.0 Amp 12 Points .....	9-2
IC200MDD842 Mixed Module, Output 24VDC Pos. Logic 0.5A Grouped w/ESCP 16 Points / Input 24VDC Pos/Neg Logic Grouped 16 Points .....	9-6
IC200MDD843 Mixed Module, 24VDC Positive Logic Input Grouped 10 Points / Output Relay 2.0A per Point Grouped 6 Points.....	9-13
IC200MDD844 Mixed Module, Output 12/24VDC Pos. Logic 0.5A 16 Points / Input 24 VDC Pos/Neg Logic Grouped 16 Points.....	9-17
IC200MDD845 Mixed Module, Output Relay 2.0A Isolated 8 Points / Input 24VDC Pos/Neg Logic Grouped 16 Points.....	9-23
IC200MDD846 Mixed Module, Output Relay 2.0A per Pt Isolated 8 Points / Input 120VAC Grouped 8 Points .....	9-30

# Contents

---

IC200MDD847 Mixed Module, Output Relay 2.0A per Pt Isolated 8 Points / Input 240VAC Grouped 8 Points .....	9-34
IC200MDD848 Mixed Module, Output 120VAC 0.5A per Pt Isolated 8 Points / Input 120VAC Grouped 8 Points .....	9-38
IC200MDD849 Mixed Module Output Relay 2.0A per Pt Isolated 8 Points / Input 120VAC Isolated 8 Points .....	9-43
IC200MDD850 Mixed Module, Output Relay 2.0A per Pt Isolated 8 Points / Input 240VAC Isolated 4 Points .....	9-47
IC200MDD851 Mixed Module, Output 12/24VDC Positive Logic Grouped 16 Points / Input 5/12VDC Pos/Neg Logic Grouped 16 Points.....	9-51
<b>Analog Input Modules .....</b>	<b>10-1</b>
IC200ALG230 Analog Input Module, 12 Bit Voltage/Current 4 Channels .	10-2
IC200ALG240 Analog Input Module, 16 Bit Voltage/Current, 1500VAC Isolation, 8 Channels .....	10-9
IC200ALG260 Analog Input Module, 12 Bit Voltage/Current 8 Channels	10-17
IC200ALG261 Analog Input Module, 15 Bit Differential Voltage 8 Channels .....	10-24
IC200ALG262 Analog Input Module, 15 Bit Differential Current 8 Channels .....	10-29
IC200ALG263, IC200ALG265 Analog Input Module, 15 Bit Voltage 15 Channels .....	10-34
IC200ALG264, IC200ALG266 Analog Input Module, 15 Bit Current 15 Channels .....	10-39
<b>Analog Output Modules .....</b>	<b>11-1</b>
IC200ALG320 Analog Output Module, 12 Bit Current, 4 Channels.....	11-2
IC200ALG321 Analog Output Module, 12 Bit Voltage 0 to 10VDC 4 Channels .....	11-9
IC200ALG322 Analog Output Module, 12 Bit Voltage -10 to +10VDC 4 Channels .....	11-15
IC200ALG325 Analog Output Module, 13 Bit Voltage 8 Channels .....	11-21
IC200ALG326 Analog Output Module, 13 Bit Current, 8 Channels.....	11-28
IC200ALG327 Analog Output Module, 13 Bit Voltage 12 Channels .....	11-34
IC200ALG328 Analog Output Module, 13 Bit Current, 12 Channels.....	11-41
IC200ALG331 Analog Output Module, 16 Bit Voltage/Current, 1500VAC Isolation, 4 Channels .....	11-48

# Contents

---

- Analog Mixed I/O Modules.....12-1**
  - IC200ALG430 Analog Mixed Module, 12 Bit Input Current 4 Channels  
and Output Current 2 Channels ..... 12-2
  - IC200ALG431 Analog Mixed Module, 12 Bit 0 to 10VDC Input  
4 Channels and Output 2 Channels..... 12-9
  - IC200ALG432 Analog Mixed Module, 12 Bit +/-10VDC Input 4 Channels  
and Output 2 Channels ..... 12-17
- Mixed Discrete/High-Speed Counter Module .....13-1**
  - IC200MDD841: Mixed Module, 24VDC Positive Logic Input  
20 Points / Output 12 Point / (4) High Speed Counter,  
PWM, or Pulse Train Configurable Points ..... 13-2
- Temperature Sensing Modules .....14-1**
  - IC200ALG620 Analog Input, 16 Bit RTD, 4 Channels..... 14-2
  - IC200ALG630 Analog Input, 16 Bit Thermocouple, 7 Channels ..... 14-10
- Accessories.....15-1**
  - IC200ACC301 I/O Filler Module ..... 15-2
  - IC200ACC302 Input Simulator..... 15-3
  - IC200ACC303 I/O Shorting Bar ..... 15-4
- Panel Mounting Dimensions..... A-1**
  - Thermal Considerations ..... A-2
  - Panel-Mounting Details ..... A-3
  - Module Space Requirements..... A-4
  - Module Sizes..... A-5
  - Mounting Dimensions Example ..... A-11
- Relay Contact Ratings..... B-1**
- Power Supply Load Requirements ..... C-1**
- I/O Module Keying Summary ..... D-1**
- Compatibility Matrix ..... E-1**



### ***Getting Started***

Read this chapter first to learn about the basics of VersaMax I/O. To locate detailed information, refer to the following section, *Guide to the VersaMax Document Set*.

### ***Guide to the VersaMax Document Set***

This manual contains descriptions of the many VersaMax I/O and option modules, power supplies, and carriers.

**Installation procedures** are described in Chapter 2.

The rest of the chapters in this manual describe the wide variety of VersaMax I/O modules, carriers, and accessories that are available.

- Power Supplies: chapter 3
- Carriers: chapter 4
- Interposing Terminals and Terminal Strips: chapter 5
- Expansion Modules: chapter 6
- Discrete Input Modules: chapter 7
- Discrete Output Modules: chapter 8
- Discrete Mixed Modules: chapter 9
- Analog Input Modules: chapter 10
- Analog Output Modules: chapter 11
- Analog Mixed Modules: chapter 12
- Discrete Mixed/High Speed Counter Module: chapter 13
- Temperature-sensing Modules: chapter 14
- Accessories: chapter 15

The appendices to this manual contain detailed reference information.

## Related VersaMax Manuals

For more information about VersaMax products, consult the following manuals.

<i>GFK-1503, VersaMax PLC System Manual</i>	Describes the installation and operation of the PLC System. This manual also contains general information about CPU operation and program features.
<i>GFK-1860, VersaMax Ethernet Network Interface Unit User's Manual</i>	Describes the installation and operation of the Ethernet NIU. The Ethernet NIU interfaces an I/O station of VersaMax modules to an Ethernet Network.
<i>GFK-1533, VersaMax DeviceNet Modules User's Manual</i>	<p>Describes the installation and operation of the DeviceNet NIU and DeviceNet Network Communications Module.</p> <p>The DeviceNet NIU interfaces an I/O station of VersaMax modules to a DeviceNet Network. It operates as a slave on the network.</p> <p>The DeviceNet Network Communications Module can operate as a master or slave on the DeviceNet network.</p>
<i>GFK-1534, VersaMax Profibus Network Modules User's Manual</i>	<p>Describes the installation and operation of the Profibus Network Interface Unit and Profibus Network Slave Module.</p> <p>The Profibus NIU interfaces an I/O station of VersaMax modules to a Profibus Network. It operates as a slave on the network.</p> <p>The Profibus Network Slave Module operates as a slave on the Profibus network.</p>
<i>GFK-1535, VersaMax Genius Network Interface Unit User's Manual</i>	Describes the installation and operation of the Genius NIU. The Genius NIU interfaces an I/O station of VersaMax modules to a Genius Network.
<i>GFK-1697, VersaMax AS-i Network Master Module User's Manual</i>	Describes the installation and operation of the VersaMax AS-Interface Network Master module (IC200BEM104), which can be used to interface a VersaMax PLC or I/O station NIU to an AS-i network.
<i>GFK-2571, VersaMax PROFINET Scanner Manual</i>	Describes the installation and operation of the VersaMax PROFINET Scanner, which interfaces a remote node of VersaMax modules to a PROFINET IO network.

---

## *VersaMax Product Line*

The VersaMax product line provides universally-distributed I/O that spans PLC and PC-based architectures. Designed for industrial and commercial automation, VersaMax I/O provides a common, flexible I/O structure for local and remote control applications. The VersaMax PLC provides big-PLC power with a full range of I/O and option modules. VersaMax I/O Stations with Network Interface Modules make it possible to add the flexibility of VersaMax I/O to other types of networks. VersaMax meets UL, CUL, CE, Class1 Zone 2 and Class I Division 2 requirements.

As a scaleable automation solution, VersaMax I/O combines compactness and modularity for greater ease of use. The 70-mm depth and small footprint of VersaMax I/O enables easy, convenient mounting as well as space-saving benefits. Modules can accommodate up to 32 points of I/O each.

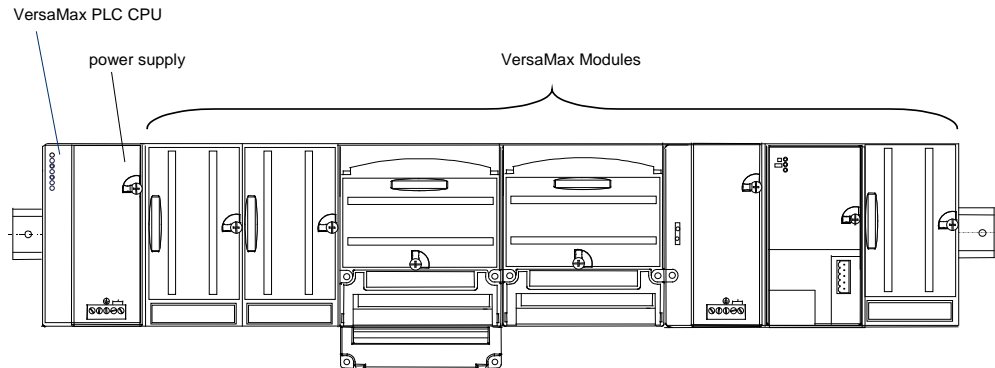
The compact, modular VersaMax products feature DIN-rail mounting with up to eight I/O and option modules per “rack” and up to 8 racks per VersaMax PLC or VersaMax I/O Station system. Expansion racks can be located up to 750 meters from the main VersaMax PLC or VersaMax I/O Station rack. Expansion racks can include any VersaMax I/O, option, or communications module.

VersaMax provides automatic addressing that can eliminate traditional configuration and the need for hand-held devices. Multiple field wiring termination options provide support for two, three, and four-wire devices.

For faster equipment repair and shorter Mean-Time-To-Repair, the hot insertion feature enables addition and replacement of I/O modules while a machine or process is running and without affecting field wiring.

## CPU Modules for VersaMax PLCs

A VersaMax PLC consists of a group of VersaMax modules with a VersaMax CPU and attached power supply in the first position.



All VersaMax CPUs provide powerful PLC functionality. They are designed to serve as the system controller for up to 64 modules with up to 2048 I/O points. Two serial ports provide RS-232 and RS-485 interfaces for SNP slave and RTU slave communications.

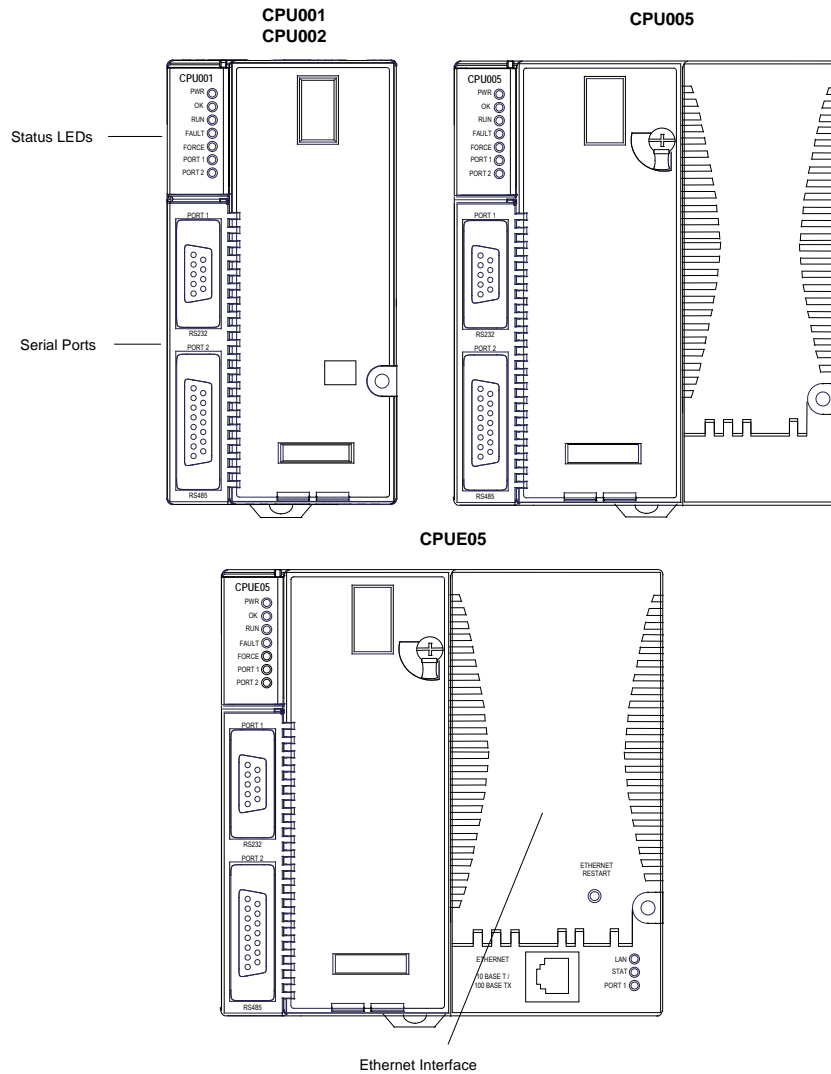
VersaMax CPUs are described in GFK-1503, *VersaMax PLC User's Manual*. This document also provides programming information for the VersaMax PLC.

### Basic CPU Features

- Programming in Ladder Diagram, Sequential Function Chart, and Instruction List
- Floating point (real) data functions
- Non-volatile flash memory for program storage
- Battery backup features for program, data, and time of day clock
  - Super capacitor provides power to memory for 1 hour
  - Over 1 hour, backup battery protects memory contents up to 6 months.
  - Backup battery has shelf life of 5 years when not in use.
- Run/Stop switch
- Embedded RS-232 and RS-485 communications

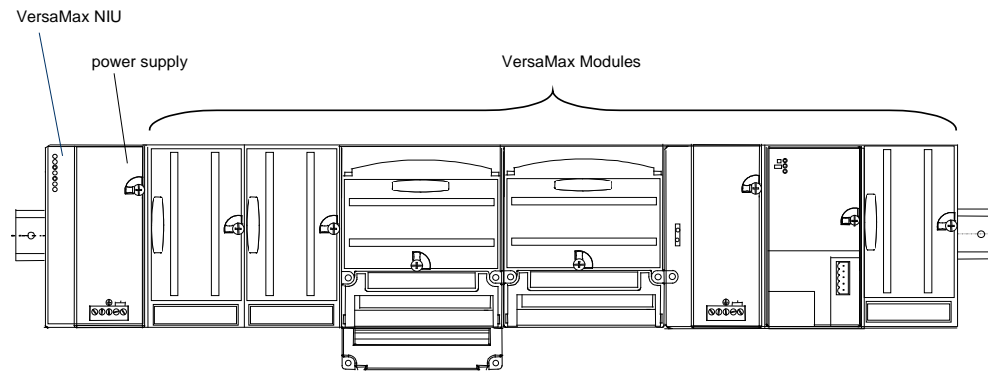
*Available VersaMax CPUs*

CPU with Two Serial Ports, 34kB of Configurable Memory	IC200CPU001
CPU with Two Serial Ports, 42kB of Configurable Memory	IC200CPU002
CPU with Two Serial Ports, 128kB of Configurable Memory	IC200CPU005
CPU with Two Serial Ports and Embedded Ethernet Interface, 128kB of Configurable Memory	IC200CPUE05



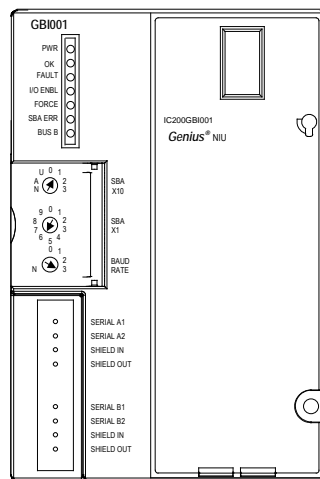
## Network Interface Units

A VersaMax I/O Station consists of a group of VersaMax modules with a VersaMax Network Interface Unit (NIU) module and attached power supply in the first position.



The NIU provides I/O scanning and a communications interface, allowing a group of VersaMax modules to function as an I/O station on a communications bus. The power supply on the NIU provides power for the modules in the I/O Station. Additional “booster” power supplies can be included in the system if needed for modules with high current requirements.

A NIU module has connectors appropriate for its communications network type and status LEDs. NIUs also have rotary dials that can be used to set communications ID information and other parameters.



Genius NIU

### *Available VersaMax NIUs*

Ethernet NIU	IC200EBI001
Profibus NIU	IC200PBI001
Genius NIU	IC200GBI001
DeviceNet NIU	IC200DBI001

#### *Ethernet NIU*

The Ethernet NIU (IC200EBI001) serves as the connection point between VersaMax I/O modules and a single 10/100Base-T Ethernet network. The NIU supports Modbus/TCP protocol. For information about the Ethernet NIU, refer to GFK-1860, *VersaMax System Ethernet Network Communications User's Manual*.

#### *DeviceNet NIU*

The DeviceNet NIU (IC200DBI001) is a DeviceNet slave module. DeviceNet supports a variety of communication structures including peer to peer, multi-master and master/slave with broadcasting capabilities. Up to 64 nodes can be connected to a DeviceNet network without bridging or routing. For information about the DeviceNet NIU, refer to GFK-1533, *VersaMax System DeviceNet Network Communications User's Manual*.

#### *Profibus NIU*

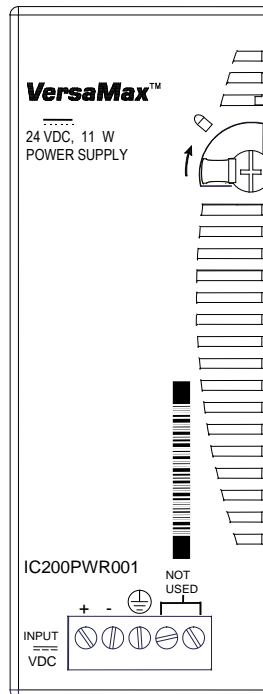
The Profibus NIU (IC200PBI001) operates as a slave on a Profibus-DP Network, automatically exchanging I/O, status, control, and diagnostic data with a master device. The NIU is capable of handling up to 375 bytes of I/O data, consisting of up to 244 bytes of discrete and analog input data and up to 244 bytes of discrete and analog output data. The system host can be any device capable of operating as a bus master. For information about the Profibus-DP NIU, refer to GFK-1534, *VersaMax System Profibus Network Modules User's Manual* (revision A or later).

#### *Genius NIU*

The Genius NIU (IC200GBI001) operates as a device on a Genius bus. The NIU is capable of handling up to 128 bytes of discrete and analog input data and 128 bytes of discrete and analog output data. The system host can be any PLC or computer capable of controlling the Genius bus. For information about the Genius NIU, refer to GFK-1535, *VersaMax System Genius Network Interface Unit User's Manual*.

## Power Supplies

An AC or DC Power Supply module installs directly on the CPU or NIU. The power supply provides +5V and +3.3V power to the modules in the station. Additional power supplies can be installed on special booster carriers, if needed, for systems where the number of modules creates the need for a booster. The AC or DC power supply on the CPU or NIU and the power supply that resides on the Booster carrier must share the same external power source.



### Available Power Supplies and Carrier

The following table lists the available VersaMax power supplies and carrier.

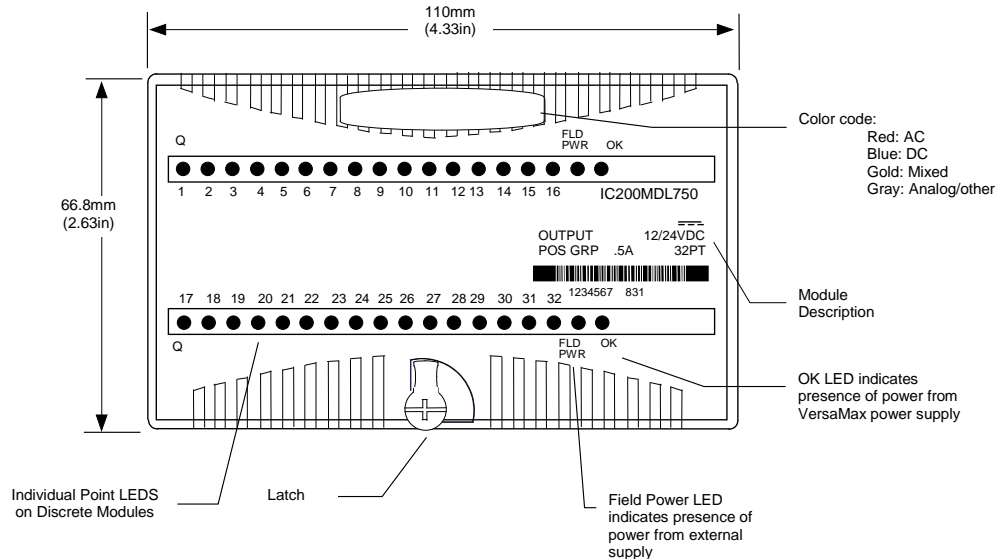
24VDC Power Supply	IC200PWR001
24VDC Expanded 3.3V Power Supply	IC200PWR002
120/240VAC Power Supply	IC200PWR101
120/240VAC Expanded 3.3V Power Supply	IC200PWR102
12VDC Power Supply	IC200PWR201
12VDC Expanded 3.3V Power Supply	IC200PWR202
Power Supply Booster Carrier	IC200PWB001

Power supplies are described in chapter 3 of this manual.



## I/O Modules

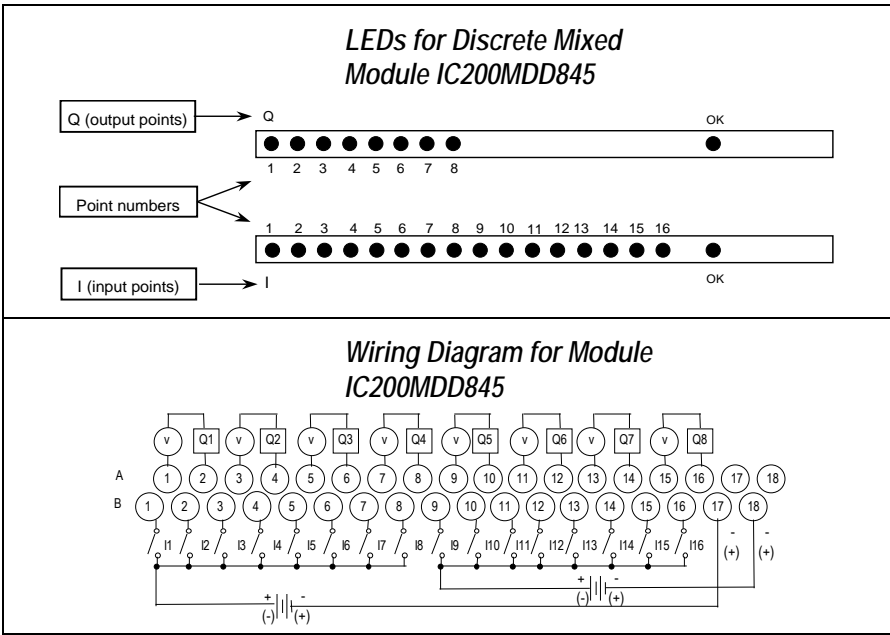
VersaMax IO and option modules are approximately 110 mm (4.3 in) by 66.8 mm (2.63 in) in size. Modules can be mounted either horizontally or vertically on several types of available I/O Carriers. Modules are 50 mm (1.956 in) in depth, not including the height of the carrier or the mating connectors.



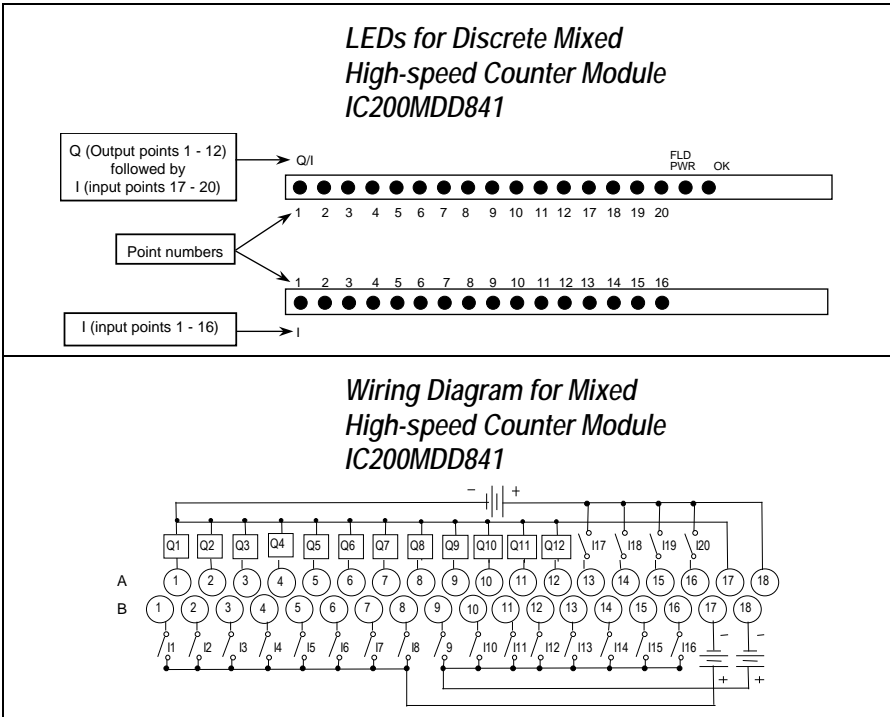
VersaMax I/O modules discussed in this manual are grouped into chapters by module type. For more information about a specific module, refer to the Table of Contents or Index for the module description.

## Discrete Module Point LEDs

Individual point LEDs on discrete modules provide status information at a glance. Laser markings on the module identify the LEDs. The positions of the point LEDs always correspond to the module's wiring diagram, whether the module is simple:



or more complex:



## Available I/O Modules

Discrete Input Modules	
Input Module, 120VAC 8 Points	IC200MDL140
Input Module, 240VAC 8 Points	IC200MDL141
Input Module, 120VAC Isolated 8 Points	IC200MDL143
Input Module, 240VAC Isolated 4 Points	IC200MDL144
Input Module, 120VAC 16 Points	IC200MDL240
Input Module, 240VAC 16 Points	IC200MDL241
Input Module, 120VAC Isolated 16 Points	IC200MDL243
Input Module, 240VAC Isolated 8 Points	IC200MDL244
Input Module, 125VDC Positive/Negative Logic Isolated 8 Points	IC200MDL631
Input Module, 125VDC Positive/Negative Logic Isolated 16 Points	IC200MDL632
Input Module, 48VDC Positive/Negative Logic Grouped 16 Points	IC200MDL635
Input Module, 48VDC Positive/Negative Logic Grouped 32 Points	IC200MDL636
Input Module, 24VDC Positive/Negative Logic 16 Points	IC200MDL640
Input Module, 5/12VDC Positive/Negative Logic Grouped 16 Points	IC200MDL643
Input Module, 5/12VDC Positive/Negative Logic Grouped 32 Point	IC200MDL644
Input Module, 24VDC Positive/Negative Logic (32 Points)	IC200MDL650
Discrete Output Modules	
Output Module, 120VAC 0.5 Amp, Isolated 8 Points	IC200MDL329
Output Module, 120VAC 0.5 Amp, Isolated 16 Points	IC200MDL330
Output Module, 120VAC 2.0 Amp, Isolated 8 Points	IC200MDL331
Output Module, 24VDC Positive Logic 2.0 Amps, w/ESCP 8 Points	IC200MDL730
Output Module, 12/24VDC Positive Logic 0.5 Amp, 16 Points	IC200MDL740
Output Module, 24VDC Positive Logic 0.5 Amp, w/ESCP 16 Points	IC200MDL741
Output Module, 24VDC Positive Logic 0.5 Amp, w/ESCP 32 Points	IC200MDL742
Output Module, 5/12/24V DC Negative Logic 0.5 Amp, 16 Points	IC200MDL743
Output Module, 5/12/24VDC Negative Logic 0.5 Amp, 32 Points	IC200MDL744
Output Module, 12/24VDC Positive Logic 0.5 Amp, 32 Points	IC200MDL750
Output Module, Relay 2.0 Amp Isolated Form A 8 Points	IC200MDL930
Output Module, Relay 2.0 Amp, Isolated Form A 16 Points	IC200MDL940

Discrete Mixed I/O Modules	
Mixed Module, 24VDC Positive Logic Input 20 Points / Output Relay 2.0 Amp 12 Points	IC200MDD840
Mixed Module, 24VDC Positive Logic Input 20 Points / Output 12 Point / (4) High Speed Counter, PWM, or Pulse Train Configurable Points	IC200MDD841
Mixed Module, Output 24VDC Pos. Logic 0.5A Grouped w/ESCP 16 Points / Input 24VDC Pos/Neg Logic Grouped 16 Points	IC200MDD842
Mixed Module, 24VDC Positive Logic Input Grouped 10 Points / Output Relay 2.0A per Point Grouped 6 Points	IC200MDD843
Mixed Module, Output 12/24VDC Pos. Logic 0.5A 16 Points / Input 24 VDC Pos/Neg Logic Grouped 16 Points	IC200MDD844
Mixed Module, Output Relay 2.0A Isolated 8 Points / Input 24VDC Pos/Neg Logic Grouped 16 Points	IC200MDD845
Mixed Module, Output Relay 2.0A per Pt Isolated 8 Points / Input 120VAC Grouped 8 Points	IC200MDD846
Mixed Module, Output Relay 2.0A per Pt Isolated 8 Points / Input 240VAC Grouped 8 Points	IC200MDD847
Mixed Module, Output 120VAC 0.5A per Pt Isolated 8 Points / Input 120VAC Grouped 8 Points	IC200MDD848
Mixed Module Output Relay 2.0A per Pt Isolated 8 Points / Input 120VAC Isolated 8 Points	IC200MDD849
Mixed Module, Output Relay 2.0A per Pt Isolated 8 Points / Input 240VAC Isolated 4 Points	IC200MDD850
Mixed Module, Output 12/24VDC Pos. Grouped 16 Pts / Input 5/12VDC Pos/Neg Grp16 Pts	IC200MDD851
Analog Input Modules	
Analog Input Module, 12 Bit Voltage/Current 4 Channels	IC200ALG230
Analog Input Module, 16 Bit Voltage/Current, 1500VAC Isolation, 8 Channels	IC200ALG240
Analog Input Module, 12 Bit Voltage/Current 8 Channels	IC200ALG260
Analog Input Module, 15 Bit Voltage Differential 8 Channels	IC200ALG261
Analog Input Module, 15 Bit Current Differential 8 Channels	IC200ALG262
Analog Input Module, 15 Bit Voltage 15 Channels	IC200ALG263
Analog Input Module, 15 Bit Current 15 Channels	IC200ALG264
Analog Input Module, 15 Bit Voltage 15 Channels, SIL2 Rated, Enhanced Diagnostics	IC200ALG265
Analog Input Module, 15 Bit Current 15 Channels, SIL2 Rated, Enhanced Diagnostics	IC200ALG266
Analog Input Module, 16 Bit RTD, 4 Channels	IC200ALG620
Analog Input Module, 16 Bit Thermocouple, 7 Channels	IC200ALG630
Analog Output Modules	
Analog Output Module, 12 Bit Current, 4 Channels	IC200ALG320
Analog Output Module, 12 Bit Voltage 0 to 10VDC 4 Channels	IC200ALG321
Analog Output Module, 12 Bit Voltage -10 to +10VDC 4 Channels	IC200ALG322
Analog Output Module, 13 Bit Voltage 8 Channels	IC200ALG325
Analog Output Module, 13 Bit Current 8 Channels	IC200ALG326
Analog Output Module, 13 Bit Voltage 12 Channels	IC200ALG327
Analog Output Module, 13 Bit Current 12 Channels	IC200ALG328
Analog Output Module, 16 Bit Voltage/Current, 1500VAC Isolation, 4 Channels	IC200ALG331
Analog Mixed I/O Modules	
Analog Mixed Module, 12 Bit Input Current 4 Channels and Output Current 2 Channels	IC200ALG430
Analog Mixed Module, 12 Bit 0 to 10VDC Input 4 Channels and Output 2 Channels	IC200ALG431
Analog Mixed Module, 12 Bit +/-10VDC Input 4 Channels and Output 2 Channels	IC200ALG432

## Carriers

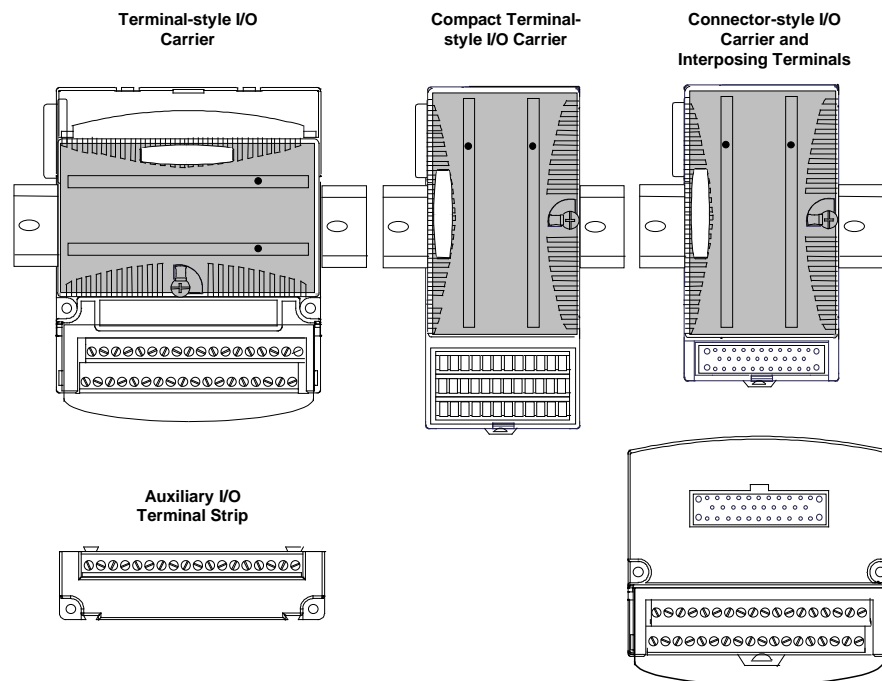
Carriers provide mounting, backplane communications, and field wiring connections for all types of VersaMax modules. I/O modules can be installed on carriers or removed without disturbing field wiring.

There are three basic I/O Carrier types:

- Terminal-style I/O carriers. Modules mount parallel to the DIN rail.
- Compact Terminal-style I/O Carriers. Modules mount perpendicular to the DIN rail.
- Connector-style I/O Carriers. Modules mount perpendicular to the DIN rail. These carriers are normally used with Interposing I/O Terminals. One type of Interposing I/O Terminals is illustrated below; other types are also available.

Refer to chapter 4 for information about VersaMax I/O Carriers.

Terminal-style I/O carriers have 36 individual terminals for direct connection of field wiring. Auxiliary I/O Terminal Strips are available for applications requiring additional wiring terminals. Chapter 5 describes the VersaMax Interposing Terminals and Auxiliary I/O Terminal Strips.



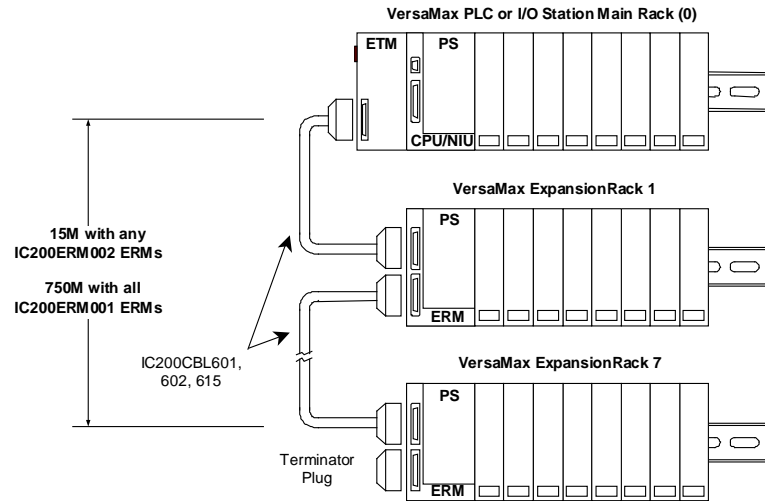
## Available I/O Carriers and Terminal Strips

<b>Terminal-Style I/O Carriers</b>	
Barrier-Style Terminal I/O Carrier	IC200CHS001
Box-Style Terminal I/O Carrier	IC200CHS002
Spring-Style Terminal I/O Carrier	IC200CHS005
<b>Compact Terminal-Style I/O Carriers</b>	
Compact Box-Style I/O Carrier	IC200CHS022
Compact Spring-Style I/O Carrier	IC200CHS025
<b>Connector-Style I/O Carrier</b>	
Connector-Style I/O Carrier	IC200CHS003
<b>Interposing Terminals for use with Connector-Style Carrier</b>	
Barrier-Style Interposing I/O Terminals	IC200CHS011
Box-Style Interposing I/O Terminals	IC200CHS012
Thermocouple-Style Interposing I/O Terminals	IC200CHS014
Spring-Style Interposing I/O Terminals	IC200CHS015
Disconnect-Style Interposing I/O Terminals, Main Base	IC200CHS101
Disconnect-Style Interposing I/O Terminals, Expansion Base	IC200CHS102
Relay-Style Interposing I/O Terminals, Main Base	IC200CHS111
Relay-Style Interposing I/O Terminals, Expansion Base	IC200CHS112
Fuse-Style Interposing I/O Terminals, Main Base	IC200CHS121
Fuse-Style Interposing I/O Terminals, Expansion Base	IC200CHS122
<b>Cables for use with Connector-Style I/O Carriers</b>	
2 connectors, 0.5m, no shield	IC200CBL105
2 connectors, 1.0m, no shield	IC200CBL110
2 connectors, 2.0m, no shield	IC200CBL120
1 connector, 3.0m, no shield	IC200CBL230
<b>Auxiliary I/O Terminal Strips for use with Terminal-style I/O Carriers and Interposing Terminals</b>	
Barrier-Style Auxiliary I/O Terminal Strip	IC200TBM001
Box-Style Auxiliary I/O Terminal Strip	IC200TBM002
Spring-Style Auxiliary I/O Terminal Strip	IC200TBM005
<b>Other Carriers</b>	
Communications Carrier	IC200CHS006
Power Supply Booster Carrier	IC200PWB001

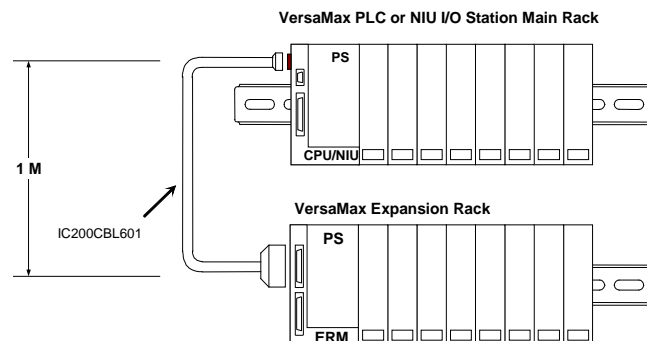
## Expansion Modules

There are two basic types of VersaMax I/O expansion systems, Multi-Rack and Two-Rack Local:

- Multi-Rack:** A VersaMax PLC or NIU I/O Station with an Expansion Transmitter Module (IC200ETM001) and one to seven expansion “racks”, each with an Expansion Receiver Module (IC200ERM001 or IC200ERM002). If all the Expansion Receivers are the Isolated type (IC200ERM001), the maximum overall cable length is 750 meters. If the expansion bus includes any non-isolated Expansion Receivers (IC200ERM002), the maximum overall cable length is 15 meters.



- Two-Rack Local:** A CPU or NIU I/O Station connected directly to one expansion rack with non-isolated Expansion Receiver Module (IC200ERM002). Maximum cable length is 1 meter.



### *VersaMax Modules for Expansion Racks*

All types of VersaMax I/O and communications modules can be used in expansion racks. Some VersaMax analog modules require specific module revisions, as listed in the following table.

Module	Module Revision
IC200ALG320	B or later
IC200ALG321	B or later
IC200ALG322	B or later
IC200ALG430	C or later
IC200ALG431	C or later
IC200ALG432	B or later

### *Available Expansion Modules*

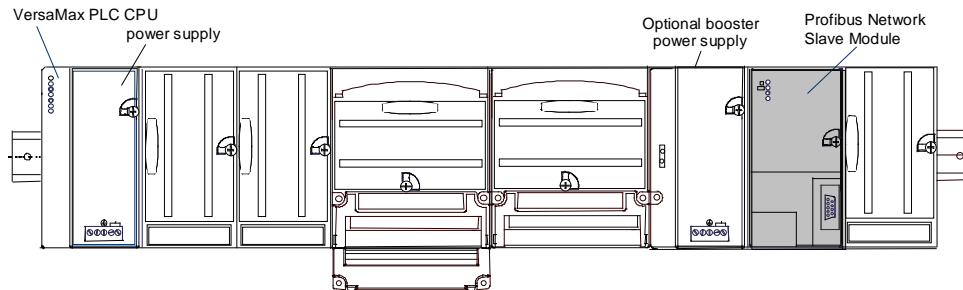
<i>Expansion Modules</i>	
Expansion Transmitter Module	IC200ETM001
Expansion Receiver Module, Isolated	IC200ERM001
Expansion Receiver Module, Non-isolated	IC200ERM002
<i>Cables</i>	
Expansion Cable, Shielded, 1 meter	IC200CBL601
Expansion Cable, Shielded, 2 meters	IC200CBL602
Expansion Cable, Shielded, 15 meters	IC200CBL615
Firmware Update Cable	IC200CBL002
Terminator Plug (included with ETM)	IC200ACC201
Connector Kit	IC200ACC302

Refer to chapter 6 for information about VersaMax Expansion modules.



## Communications Modules

Communications modules provide additional flexibility for VersaMax systems. These communications modules install on a VersaMax Communications Carrier. Power for the communications module comes from the main system power supply or from a booster supply as displayed in the following figure.



## Available VersaMax PLC Communications Modules

Communications Modules	
Profibus-DP Network Slave Module	IC200BEM002
DeviceNet Network Control Module	IC200BEM103
Asi Network Master Module	IC200BEM104
Communications Carrier	IC200CHS006
Serial Communications Module	IC200CMM020

For information about the Communications Carrier, refer to chapter 4.

## Profibus-DP Network Slave Module

The Profibus-DP Network Slave Module (IC200BEM002) is a communications module that exchanges PLC reference table data on the Profibus network. The VersaMax PLC CPU can read and write this data as though it were conventional bit- and word-type I/O data.

Multiple Profibus-DP Network Slave Modules may be used in the same VersaMax PLC. Each one can read up to 244 bytes of data from the network, and send up to 244 bytes of output data. The total amount of combined inputs and outputs is 384 bytes.

For information about the Profibus-DP Network Slave Module, refer to GFK-1534, *VersaMax System Profibus Network Modules User's Manual* (revision A or later).

### ***DeviceNet Network Control Module***

The DeviceNet Network Control Module (IC200BEM103) is a communications module that can be configured to operate as a master, as a slave, or as both simultaneously. It can exchange up to 512 bytes of input data and 512 bytes of output data with other devices on the DeviceNet network. The VersaMax PLC CPU can read and write this data as though it were conventional bit- and word-type I/O data.

The Network Control Module operates as a Group 2 Only Client (master) and can communicate only with Group 2 Slave devices. It can also operate as a Group 2 Only or a UCMM-capable Server (slave), or as a master and slave simultaneously.

For information about the DeviceNet Network Control Module, refer to GFK-1533, *VersaMax System DeviceNet Network Communications User's Manual*.

### ***Asi Network Master Module***

The VersaMax AS-Interface Network Master (IC200BEM104) conforms to the AS-Interface Specification for the master AS-Interface protocol. It can be used to connect a VersaMax PLC or I/O station NIU to an Actuator-Sensor network.

The AS-Interface module supports communications with up to 31 slave devices, exchanging to exchange up to 4 bits of input data and 4 bits of output data per slave address on the Actuator-Sensor network.

For information about the AS-Interface Network Master Module, refer to GFK-1697, *VersaMax System ASI Network Communications User's Manual*.

### ***Serial Communications Module***

The VersaMax Serial Communications Module, IC200CMM020, operates as a Modbus RTU Master in a VersaMax I/O Station. The Serial Communications module receives commands from a remote host such as an RX7i PLC.

## VersaMax General Product Specifications

VersaMax products should be installed and used in conformance with product-specific guidelines, as well as the specifications listed in the following table.

<i>Environmental</i>		
Vibration	IEC68-2-6	1G at 57-150Hz, 0.012in p-p at 10-57Hz
Shock	IEC68-2-27	15G, 11ms
Operating Temperature		0 to +60 deg C ambient -40 to +60 deg C ambient for I/O carriers, communications carrier, interposing I/O terminals, and auxiliary I/O terminals
Storage Temperature		-40 to +85 deg C
Humidity		5% to 95%, noncondensing
Enclosure Protection	IEC529	Steel cabinet per IP54: protection from dust & splashing water
<i>EMC Emission</i>		
Radiated, Conducted	CISPR 11/EN 55011	Industrial Scientific & Medical Equipment (Group 1, Class A)
	CISPR 22/EN 55022	Information Technology Equipment (Class A)
	FCC 47 CFR 15	Referred to as FCC part 15, Radio Devices (Class A)
<i>EMC Immunity</i>		
Electrostatic Discharge	EN 61000-4-2	8KV Air, 4KV Contact
RF Susceptibility	EN 61000-4-3	10V <sub>rms</sub> /m, 80 to 1000Mhz, 80% AM
	ENV 50140/ENV 50204	10V <sub>rms</sub> /m, 900MHz ±5MHz 100%AM with 200Hz square wave
Fast Transient Burst	EN 61000-4-4	2KV: power supplies, 1KV: I/O, communication
Surge Withstand	ANSI/IEEE C37.90a	Damped Oscillatory Wave: 2.5KV: power supplies, I/O [12V-240V]
	IEC255-4	Damped Oscillatory Wave: Class II, power supplies, I/O [12V-240V]
	EN 61000-4-5	2 kV cm(P/S); 1 kV cm (I/O and communication modules)
Conducted RF	EN 61000-4-6	10V <sub>rms</sub> , 0.15 to 80Mhz, 80%AM
<i>Isolation</i>		
Dielectric Withstand	UL508, UL840, IEC664	1.5KV for modules rated from 51V to 250V
<i>Power Supply</i>		
Input Dips, Variations	EN 61000-4-11	During Operation: Dips to 30% and 100%, Variation for AC ±10%, Variation for DC ±20%

# Chapter 2

## **Installation**

---

---

This section provides the following installation instructions:

- Pre-installation Check
- Conformance to Standards
- Thermal Clearance
- DIN Rail and Panel Mounting
- Installing Carriers
- Expansion System Installation
- Installing a Power Supply
- System Wiring Guidelines
- System Grounding
- Installing Wiring for I/O Devices
- Installing Modules

## *Pre-installation Check*

Carefully inspect all shipping containers for damage during shipping. If any part of the system is damaged, notify the delivery service immediately. The damaged shipping container should be saved as evidence for inspection by the delivery service. It is the user's responsibility to register a claim with the delivery service for damage incurred during shipment.

After unpacking the VersaMax modules and other equipment, record all serial numbers. Serial numbers are required if you should need to contact Product Service during the warranty period of the equipment. All shipping containers and all packing material should be saved should it be necessary to transport or ship any part of the system.

## *Conformance to Standards*

Before installing VersaMax products in situations where compliance to standards or directives from the Federal Communications Commission, the Canadian Department of Communications, or the European Union is required please refer to GFK-1179, *Installation Requirements for Conformance to Standards*.

- *Power Supply Modules:* Be sure to read the installation instructions provided with each Power Supply module. These instructions specify the use of copper conductors for the power supply, wire gauge and type.
- *Control circuit modules:* Be sure to read the installation instructions provided with the module. These instructions specify the use of copper conductors and wire gauge and type requirements.
- Equipment labeled with reference to Class I, Div. 2, Groups A, B, C and D, Hazardous Locations is suitable for use in Class I, Div. 2, Groups A, B, C, D or non-hazardous locations only.
- Equipment labeled with reference to Class I, Zone 2, Groups A, B, C and D, hazardous locations is suitable for use in Class I, Zone 2, Groups A, B, C, D or non-hazardous locations only.
- Battery in CPU Category No. IC200CPU001 and IC200CPU002 is to be replaced only with Matsushita No. BR2032. The correct battery type is available as Accessory Kit IC200ACC001.

---

### *Installation in Hazardous Locations*

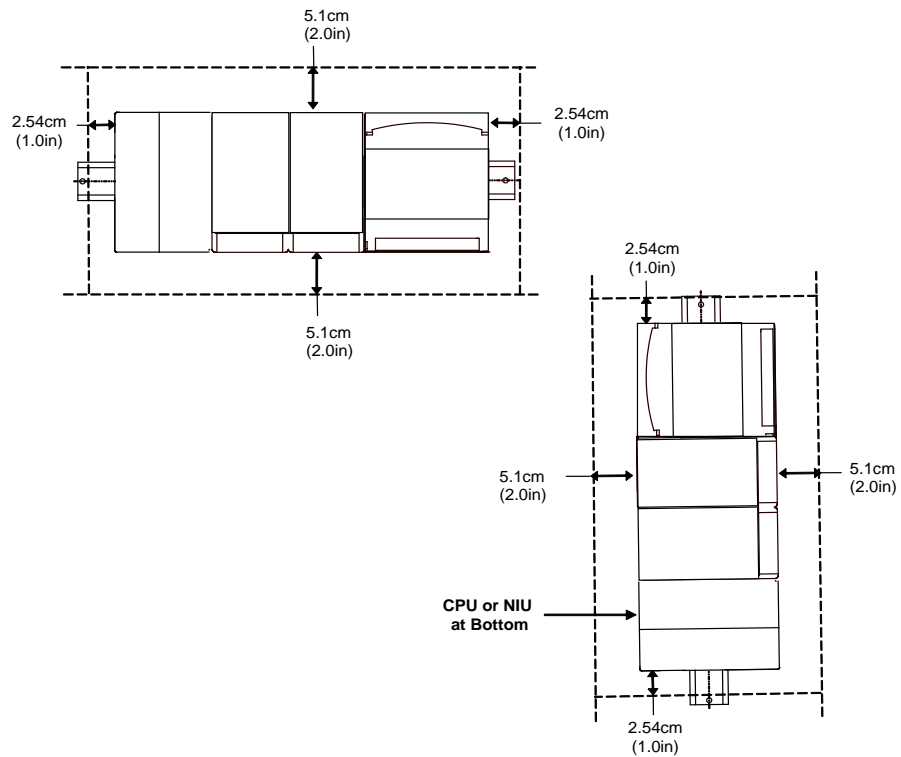
- WARNING - EXPLOSION HAZARD - SUBSTITUTION OF COMPONENTS MAY IMPAIR SUITABILITY FOR CLASS I, DIVISION 2;
- WARNING - EXPLOSION HAZARD - WHEN IN HAZARDOUS LOCATIONS, TURN OFF POWER BEFORE REPLACING OR WIRING MODULES; AND
- WARNING - EXPLOSION HAZARD - DO NOT CONNECT OR DISCONNECT EQUIPMENT UNLESS POWER HAS BEEN SWITCHED OFF OR THE AREA IS KNOWN TO BE NONHAZARDOUS.

### Thermal Considerations

The thermal performance specified for modules in this manual requires a clearance of 5.1 cm (2 in) above and below the modules and 2.54 cm (1 in) on each side of the modules as shown below, regardless of the orientation of the DIN rail.

When using a vertical DIN rail, the CPU or NIU module must be installed at the bottom.

Individual modules have may additional clearance requirements. Refer to *Appendix A*.



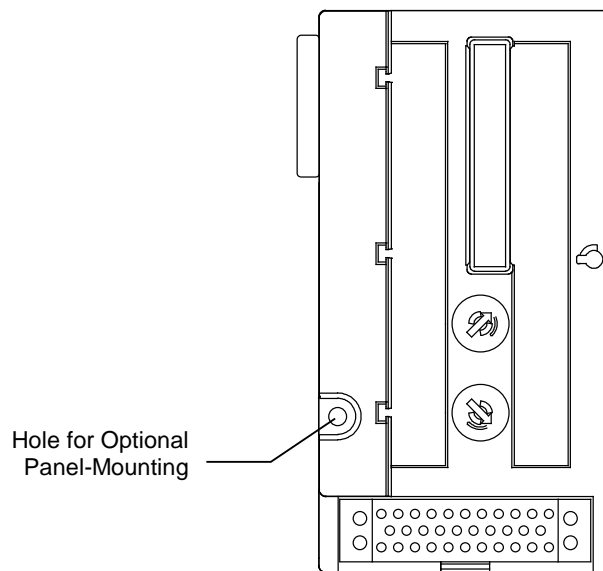
## DIN Rail and Panel Mounting

Each rack in a VersaMax PLC or VersaMax I/O Station must be installed on a single section of 7.5 mm x 35 mm DIN rail, 1 mm thick. Steel DIN rail is recommended. “Rack” is the term used for a CPU, NIU, or Expansion Receiver, plus up to 8 physically-connected I/O carriers. The first rack in a system is called Rack 0. If there are multiple expansion racks, Rack 0 also includes an Expansion Transmitter module installed in the leftmost position, before the CPU or NIU.

The DIN rail used in a VersaMax installation must be electrically grounded to provide EMC protection. The rail must have a conductive (unpainted) corrosion-resistant finish. DIN rails compliant with DIN EN50022 are preferred.

For vibration resistance, the DIN rail should be installed on a panel using screws spaced approximately 5.24 cm (6 in) apart. DIN-rail clamps (part number IC200ACC313) can also be installed at both ends of the station to lock the modules in position.

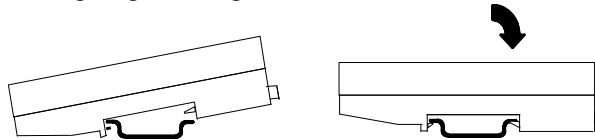
For applications requiring maximum resistance to mechanical vibration and shock, the DIN-rail-mounted carriers should also be mounted on the panel. Panel mount holes can be located on the panel by using the carrier as a template, or by following the dimensions provided in *Appendix A*. Pre-drill the mounting holes and install the CPU, NIU, ERM, and carriers using M3.5 (#6) screws.



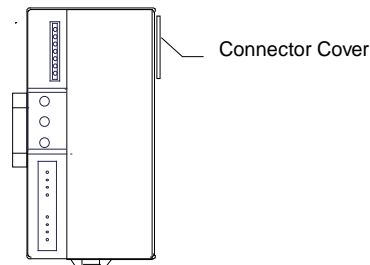


### DIN Rail Installation Steps

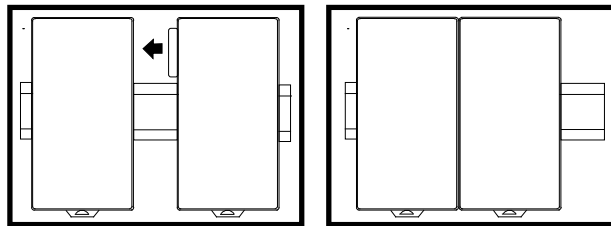
VersaMax CPUs, Network Interface Unit (NIU) modules, Expansion Receiver (ERM) modules, and module carriers snap easily onto the DIN rail. No tools are required for mounting or grounding to the DIN rail.



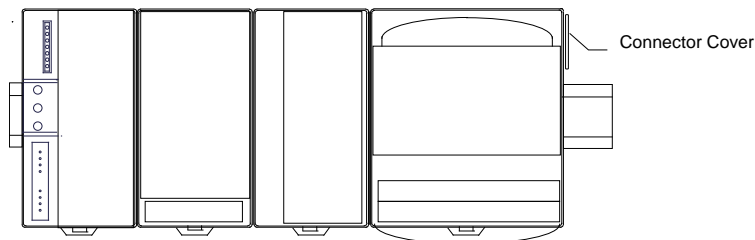
Before joining module carriers to a CPU, NIU, or ERM, remove the connector cover on the right-hand side of the CPU, NIU, or ERM. Do not discard this cover. You will need to install it on the last carrier.



Slide carriers along the DIN rail to engage the connectors in the sides of adjacent carriers. To avoid damaging connector pins, do not force or slam carriers together.



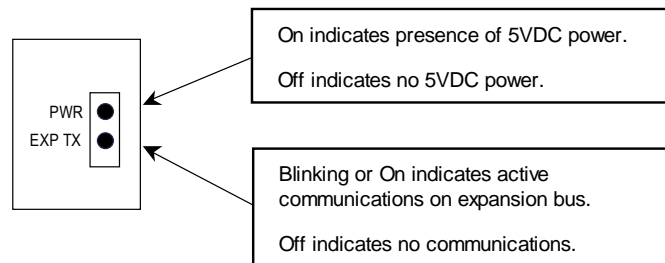
Install the connector cover that was removed over the connector on the last carrier to protect the connector pins and to provide compliance with standards.



## Installing an Expansion Transmitter Module

An Expansion Transmitter Module must be installed to the left of a CPU or NIU.

1. Make sure rack power is off.
2. Attach the Expansion Transmitter to DIN rail to the left of the CPU or NIU.
3. Slide the module toward the CPU or NIU and press together until the connectors are mated.
4. After completing any additional system installation steps, apply power and observe the module LEDs.



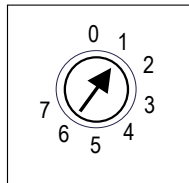
## Removing an Expansion Transmitter Module

1. Make sure rack power is off.
2. Slide module on DIN rail away from the CPU or NIU in the main rack.
3. Using a small screwdriver, pull down on the tab on the bottom of the module and lift the module off the DIN rail.

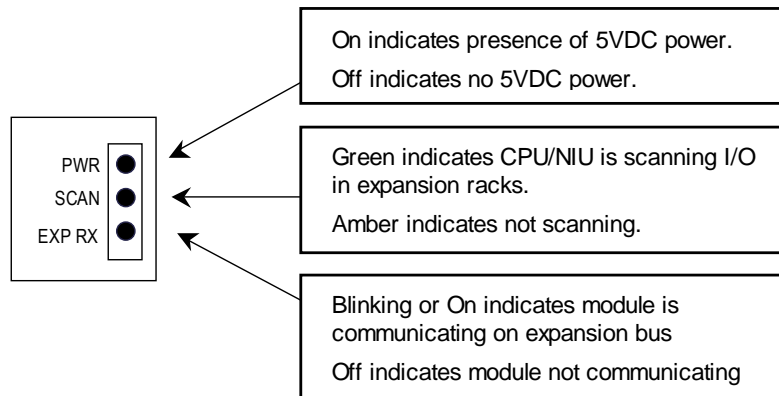
### Installing an Expansion Receiver Module

An Expansion Receiver Module (IC200ERM001 or 002) must be installed in the leftmost slot of each VersaMax expansion rack.

1. Insert the label inside the small access door at the upper left corner of the module.
2. Attach the module to the DIN rail at the left end of the expansion rack.
3. Select the expansion rack ID (1 to 7) using the rotary switch under the access door at upper left corner of the module. Each rack must be set to a different rack ID. With a single-ended cable (one expansion rack only), set the Rack ID to 1.



4. Install a VersaMax Power Supply module on top of the Expansion Receiver. Refer to the section, *Installing a Power Supply*.
5. Attach the cables. If the system includes an Expansion Transmitter Module, attach the terminator plug to the EXP2 port on the last Expansion Receiver Module.
6. After completing system installation, apply power and observe the module LEDs.



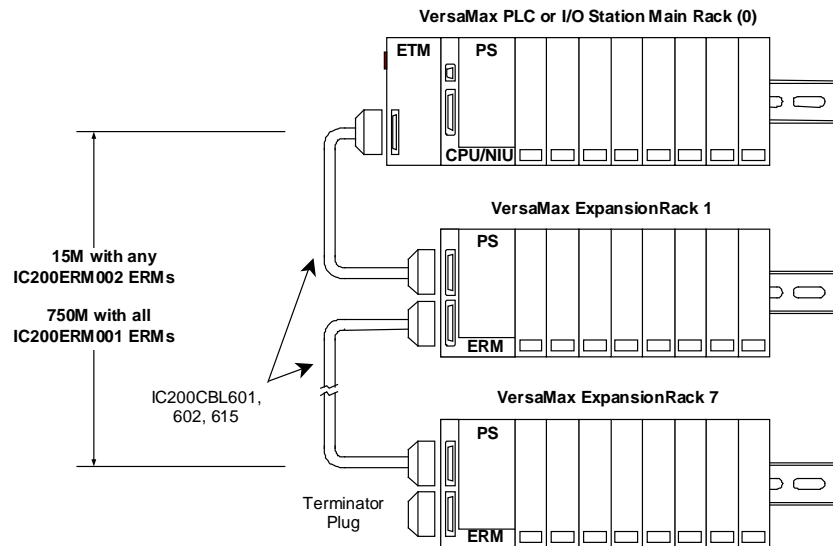
---

### *Removing an Expansion Receiver Module*

1. Make sure rack power is off.
2. Un-install the Power Supply module from the Expansion Receiver Module.
3. Slide the Expansion Receiver Module on DIN rail away from the other modules.
4. Using a small screwdriver, pull down on the tab on the bottom of the module and lift the module off the DIN rail.

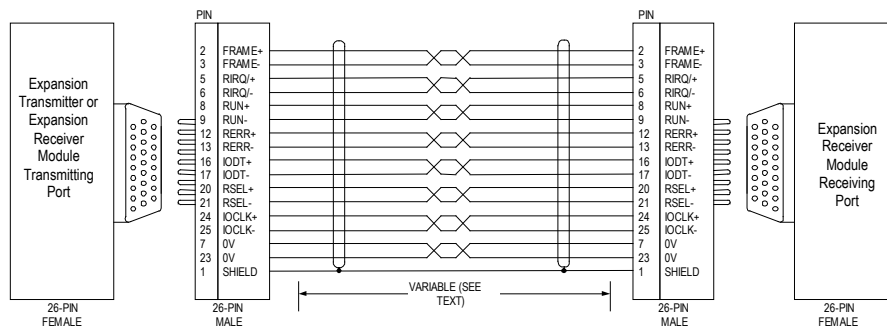
### Connecting the Expansion Cable: RS-485 Differential

For a multiple-rack expansion system, connect the cable from the expansion port on the Expansion Transmitter to the Expansion Receivers as displayed in the following figure. If all the Expansion Receivers are the Isolated type (IC200ERM001), the maximum overall cable length is 750 meters. If the expansion bus includes any non-isolated Expansion Receivers (IC200ERM002), the maximum overall cable length is 15 meters.



Install the Terminator Plug (supplied with the Expansion Transmitter module) into the lower port on the last Expansion Receiver. Spare Terminator Plugs can be purchased separately as part number IC200ACC201 (Qty 2).

### RS-485 Differential Inter-Rack Connection (IC200CBL601, 602, 615)

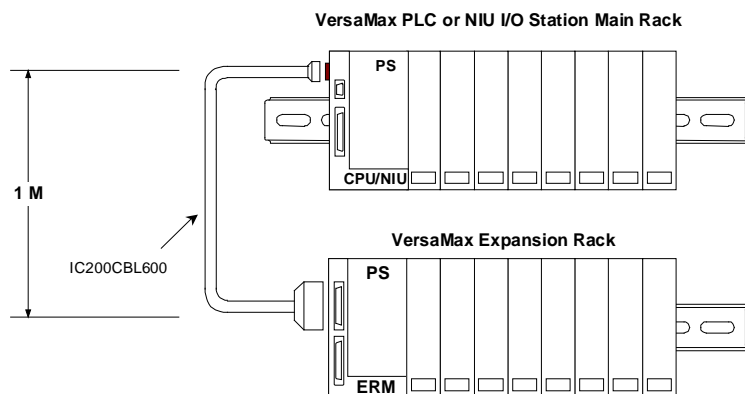


### Building a Custom Expansion Cable

Custom expansion cables can be built using Connector Kit IC200ACC202, Crimper AMP 90800-1, and Belden 8138, Manhattan/CDT M2483, Alpha 3498C, or equivalent AWG #28 (0.089mm<sup>2</sup>) cable.

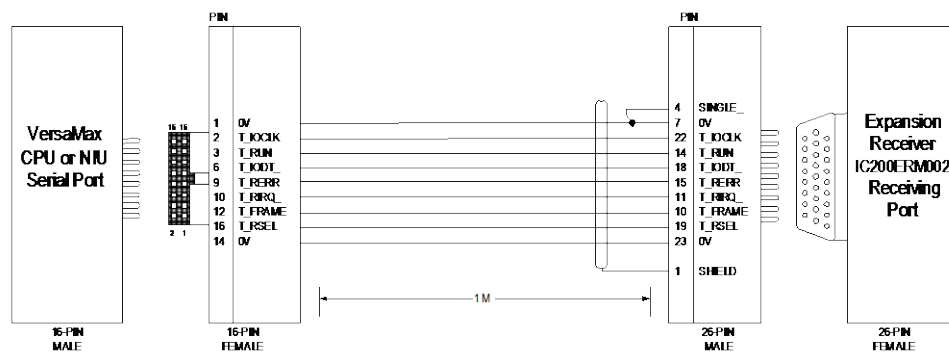
### Connecting the Expansion Cable: Single-ended

For a two-rack local system with one non-isolated expansion rack (IC200ERM002) and NO Expansion Transmitter, connect the expansion cable from the serial port on the VersaMax CPU or NIU to the Expansion Receiver as displayed in the following figure. The maximum cable length is one meter. Cables cannot be fabricated for this type of installation; cable IC200CBL600 must be ordered separately.



No Terminator Plug is needed in a single-ended installation; however, it will not impede system operation if installed.

### Single-Ended Inter-Rack Connection Cable (IC200CBL600)



## Installing a Power Supply

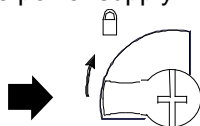
I/O and option modules receive power for their operation from the CPU, NIU, or Expansion Receiver Module through the mating connector on the carrier. The number of modules that can be supported depends on the power requirements of the modules (listed in the individual module specifications).

Power Supply Booster Carriers can be used as needed to meet the power needs of all modules. The AC or DC Power Supply on the CPU or NIU and the Power Supply that resides on the Booster Carrier must share the same external power source.

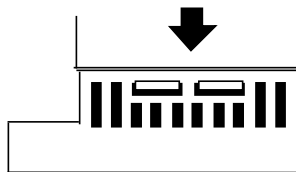
In some cases, the field devices served by an I/O module require additional AC or DC power, which must be provided using an “external” power supply. Specifications and connection details for such external power supplies are given in the module specifications in this manual.

### Installing a Power Supply Module

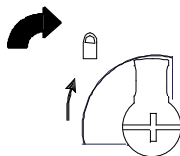
The power supply module installs directly on top of a CPU, NIU, ERM, or booster carrier. The latch on the power supply must be in the unlocked position.



Align the connectors, tab, and latch post on the power supply to be parallel with the CPU, NIU, ERM, or carrier. Press the power supply module down firmly, until the two tabs on the bottom of the power supply click into place. Be sure the tabs are fully inserted in the holes in bottom edge of the CPU, NIU, ERM, or booster carrier.



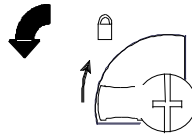
Turn the latch to the locked position to secure the power supply in place.



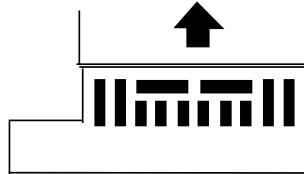
**Note:** The VersaMax power supply is not hot-swappable. Hot inserting or extracting the power supply is an improper method to power-down or power-up. Hot inserting the power supply can cause a “Corrupted User Memory Fault” condition. Power-cycling should only be accomplished by switching the main power going into the power-supply.

### *Removing a Power Supply*

1. Switch off the external power source to the power supply module.
2. Turn the latch to the unlocked position.



3. Press in the tabs on the lower edge of the power supply
4. Pull the power supply straight off.





## *System Wiring Guidelines*

Four types of wiring may be encountered in a typical factory installation:

- Power wiring – the plant power distribution, and high power loads such as high horsepower motors. These circuits may be rated from tens to thousands of KVA at 220 V AC or higher.
- Control wiring – usually either low voltage DC or 120 V AC of limited energy rating. Examples are wiring to start/stop switches, contactor coils, and machine limit switches. This is generally the interface level of discrete I/O.
- Analog wiring – transducer outputs and analog control voltages. This is the interface level to I/O analog blocks.
- Communications and signal wiring – the communications network that ties everything together, including computer LANs, MAP, and field busses.

These four types of wiring should be separated as much as possible to reduce the hazards from insulation failure, incorrect wiring, and interaction (noise) between signals. A typical control system may require some mixing of the latter three types of wiring, particularly in cramped areas inside motor control centers and on control panels.

In general, it is acceptable to mix the communications bus cable with the I/O wiring from the blocks, as well as associated control level wiring. All noise pickup is cumulative, depending on both the spacing between wires, and the distance span they run together. I/O wires and communications bus cable can be placed randomly in a wiring trough for lengths of up to 50 ft. If wiring is cord-tied (harnessed), do not include the bus cable in the harness, since binding wires tightly together increases the coupling and mechanical stress that can damage the relatively soft insulation of some serial cable types. Consider using shielded cable in electrically noisy environments.

External wiring to the equipment and in cable trays should be separated following National Electrical Code practices.

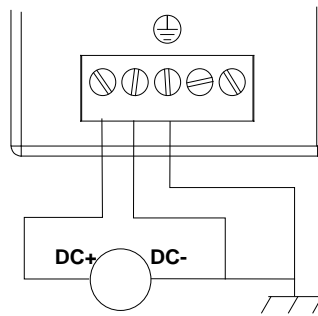
### *Installing Power and Ground Wiring*

Power Supply terminals accommodate one AWG #14 (avg. 2.1mm<sup>2</sup> cross section) to AWG #22 (avg. 0.36mm<sup>2</sup> cross section) wire, or two wires up to AWG #18 (avg. 0.86mm<sup>2</sup> cross section). Use copper wire rated for 90 deg C. When inserting two wires in the same position, the wires must be the same size and the same type (solid or stranded).

Connect the ground terminal to the conductive mounting panel with a 4 in maximum length of AWG #14 (avg. 2.1mm<sup>2</sup>) wire. Use hardware such as star washers to ensure ground integrity.

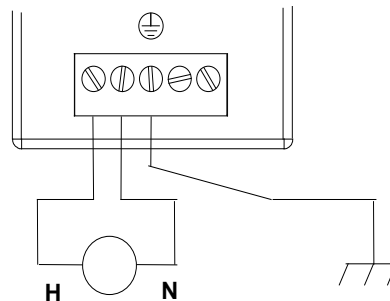
### *Grounding DC Power Supplies*

DC power supplies are non-isolated. DC- must be grounded to frame / earth ground. DC- is grounded to frame internally in the Power Supply. As a result, floating power supplies cannot be used.



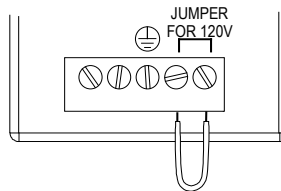
### *Grounding AC Power Supplies*

AC power supplies are isolated. Therefore, the AC source does not have to be grounded. However, it is recommended to only use ground-referenced sources such as a neutral line or grounded center-tap transformer.



### *Jumper Installation on an AC Power Supply Module*

AC power supply modules (IC200PRW101 and IC200PWR102) can be used with either 120 V AC or 240 V AC nominal input power. For 120 V AC nominal operation, install a jumper as marked on the power supply. Use insulated AWG #14 (avg. 2.1mm<sup>2</sup> cross section) to AWG #22 (avg. 0.36mm<sup>2</sup> cross section) wire.



The power supply operates without a jumper installed; however, the hold-up specification is not met. If a jumper is not installed for 120 V AC operation, the power supply will not cause hazardous conditions.

#### *Warnings*

**DO NOT USE A JUMPER FOR 240V AC OPERATION. If a jumper is used on the input connector for 240V AC nominal operation, the power supply will be damaged and may cause hazardous conditions.**

**Do not touch the exposed portions of the jumper wire with power applied to the system. Hazardous voltages are present that could cause personal injury.**

### *Installing Additional Suppression*

For agency compliance, external Metal Oxide Varistor (MOV) suppression is required from both the positive and negative input to frame ground or at the power line input of a system enclosure. The MOV should be sized to handle normal line transients. Examples of suitable MOVs to handle normal line transients include the following products manufactured by Littelfuse:

V36ZA80 (Non-isolated 24 V DC

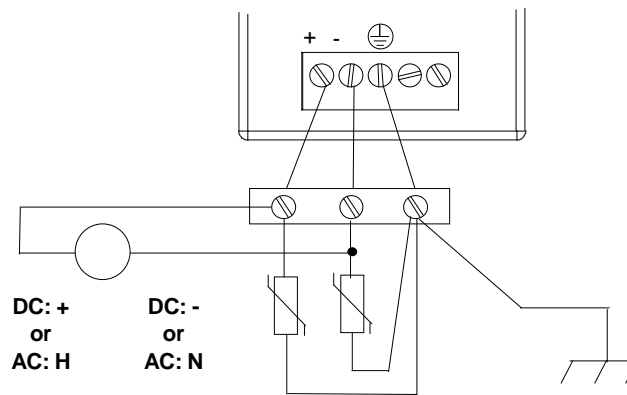
V130LA20AP (120 V AC applications)

V275LA40BP (240 V AC applications)

Measurement of actual transients may be required in extreme cases to decide what MOV is best.

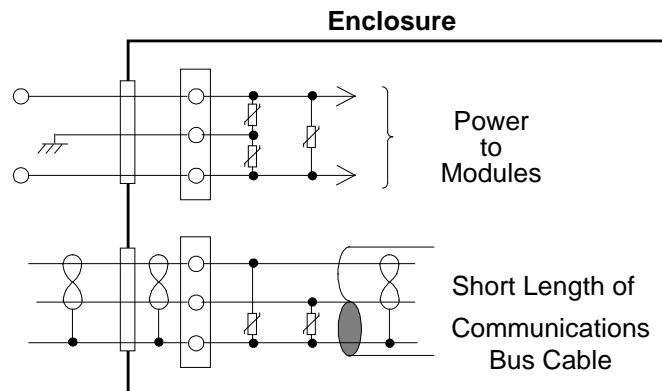
### *Installing Suppression at the Power Supply*

The following figure displays typical power and ground connections.



### *Installing Suppression for Devices in an Enclosure*

For a group of devices installed in an enclosure, MOVs can be installed at the point where the power lines enter the enclosure. Ideally, MOVs should be used at each cabinet in the system for maximum protection. The following figure illustrates suppression on both power lines and a communications bus entering an enclosure.

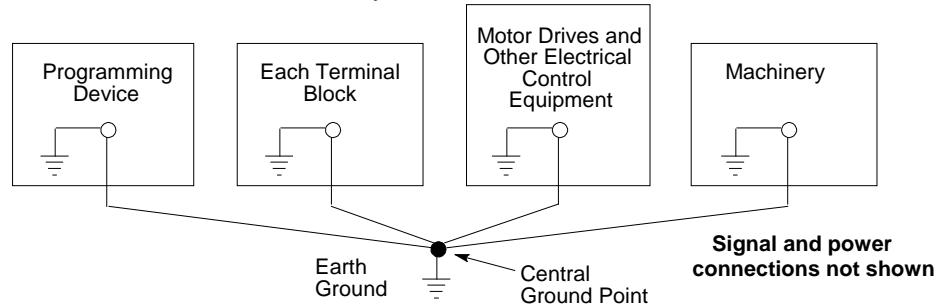


### *Periodic Inspection and Replacement of MOVs*

MOVs do a good job of absorbing transients on communications, control, and power lines, provided the total energy of those transients does not exceed the rating of the device. However, if the energy of the transient exceeds the rating of the device, the MOV may be either damaged or destroyed. *This failure may not be visibly or electrically evident.* MOVs should be regularly inspected for signs of damage to assure continued protection against transients. For some applications, periodic replacement of critical MOVs is recommended, even if they do not show signs of damage.

## System Grounding

All components of a control system and the devices it controls must be properly grounded. Ground conductors should be connected in a star fashion, with all branches routed to a central earth ground point. This ensures that no ground conductor carries current from any other branch.

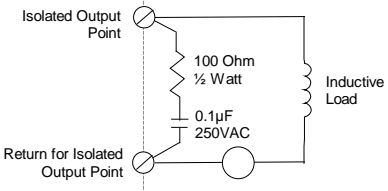
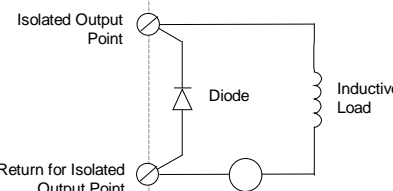
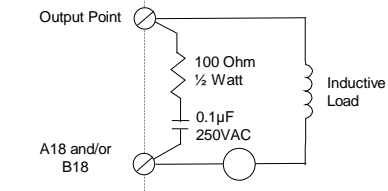
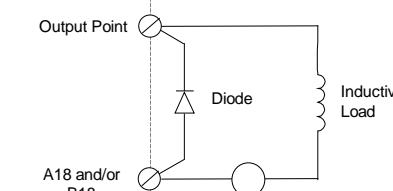


The control panel and enclosure should also be bonded to the plant system ground per code. Inadequate grounding may compromise system integrity in the presence of power switching transients and surges.

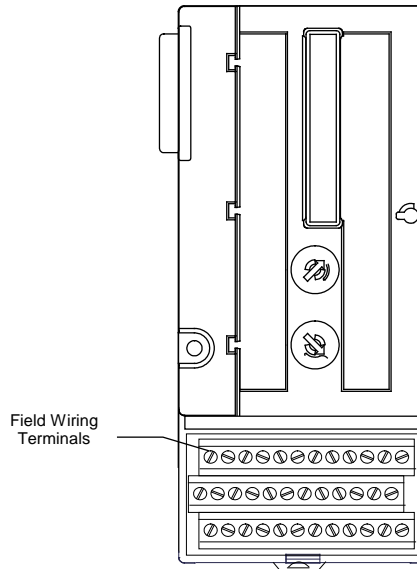
## Installing Wiring for I/O Devices

### Wiring to Inductive Loads

When wiring outputs to inductive loads, use of external suppression circuits is recommended. If possible, the external suppression circuits should be connected across the actual load. If that is not possible, external suppression circuits should be connected to each point that will drive an inductive load.

<p><b>AC Inductive Loads</b></p> <p>For AC inductive loads, the snubber network should consist of a 250 V AC, 0.1<math>\mu</math>F capacitor connected in series with a 100 Ohm ½ Watt or higher resistor. A capacitor with a different working voltage may be chosen, as appropriate for the application.</p> <p>Recommended snubber packages include 104M06QC100 or 104M06RL100 from Paktron.</p>	<p><b>DC Inductive Loads</b></p> <p>For DC inductive loads, a diode should be placed across the load as shown below. Recommended diodes include:</p> <p>1N4934 100 V, 1A;          1N4936 400 V, 1A;          1N4937 600 V, 1A.</p> <p>These diodes are available from most manufacturers.</p>
<p><b>Isolated Outputs, AC</b></p> 	<p><b>Isolated Outputs, DC</b></p> 
<p><b>Grouped Outputs, AC</b></p> 	<p><b>Grouped Outputs, DC</b></p> 

### Wiring for a Compact I/O Carrier (IC200CHS022, IC200CHS025)

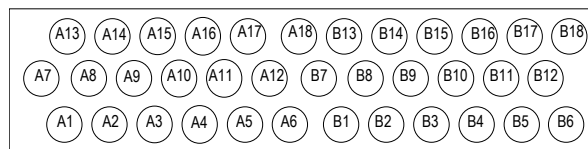


Each terminal on a Compact-style I/O Carrier accommodates one solid or stranded AWG #14 (avg. 2.1mm<sup>2</sup> cross section) to AWG #22 (avg. 0.36mm<sup>2</sup> cross section) wire, or two wires up to AWG #18 (avg. 0.86mm<sup>2</sup> cross section). Use copper wire rated for 90 degrees C. When inserting two wires in the same position, the wires must be the same size and type (solid or stranded).

The I/O carrier can accommodate current levels up to 2 Amps per point or 8 Amps per each power and ground, and a voltage range of up to 264 V AC. Voltage transients up to 300 V AC will not damage the carrier.

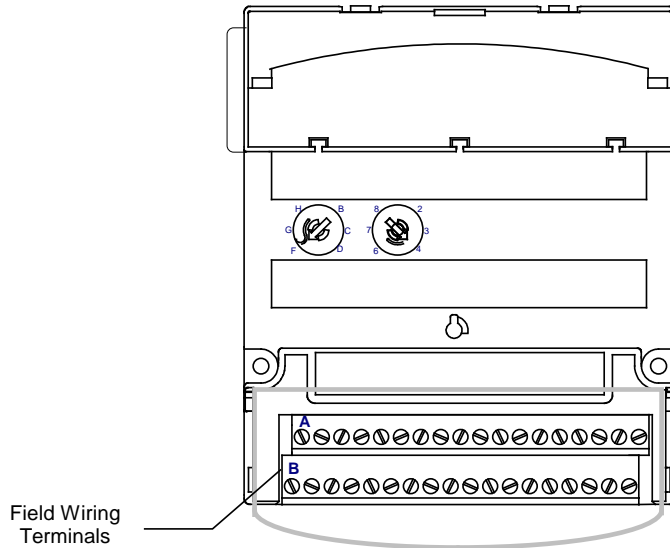
For a Box-Style I/O Carrier, recommended terminal torque is 0.37 to 0.45 ft-lbs. The label provided with the module can be folded and inserted in the label holder.

#### Terminal Numbering for a Box- or Spring-Style Compact I/O Carrier



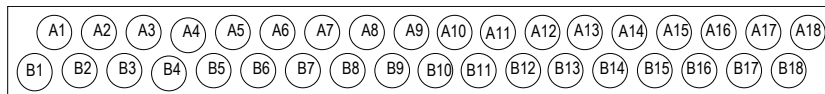


**Wiring for a Box-Style I/O Carrier or Spring-Style I/O Carrier (IC200CHS002, IC200CHS005)**

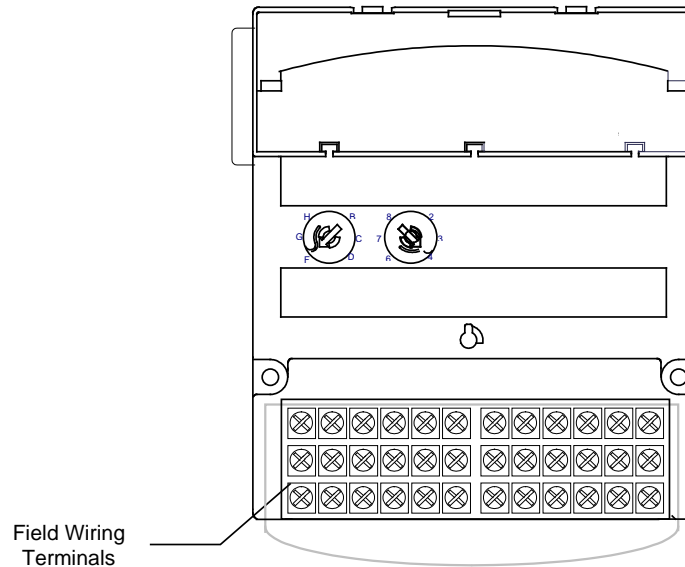


Each terminal on a Box-Style or Spring-Style I/O Carrier accommodates one solid or stranded AWG #14 (avg. 2.1mm<sup>2</sup> cross section) to AWG #22 (avg. 0.36mm<sup>2</sup> cross section) wire, or two wires up to AWG #18 (avg. 0.86mm<sup>2</sup> cross section). Use copper wire rated for 90 degrees C. When inserting two wires in the same position, the wires must be the same size and type (solid or stranded). The I/O carrier can accommodate current levels up to 2 Amps per point or 8 Amps per each power and ground, and a voltage range of up to 264 V AC. Voltage transients up to 300 V AC will not damage the carrier. For a Box-Style I/O Carrier, recommended terminal torque is 0.37 to 0.45 ft-lbs. The label provided with the module can be folded and inserted in the module's transparent door.

**Terminal Numbering for a Box-Style or Spring-Style I/O Carrier**



### Wiring for a Barrier-Style I/O Carrier (IC200CHS001)



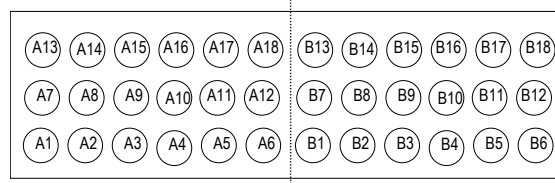
Each terminal on a Barrier-Style I/O Carrier accommodates one or two solid or stranded wires from AWG #22 (avg. 0.36mm<sup>2</sup> cross section) to AWG #14 (avg. 2.1mm<sup>2</sup> cross section). Use copper wire rated for 90 degrees C. When inserting two wires in the same position, the wires must be the same size and type (solid or stranded).

The I/O carrier can accommodate current levels up to 2 Amps per point or 8 Amps per each power and ground, and a voltage range of up to 264 V AC. Voltage transients up to 300 V AC will not damage the carrier.

For a Barrier-Style I/O Carrier, recommended terminal torque is 0.37 to 0.50 ft-lbs.

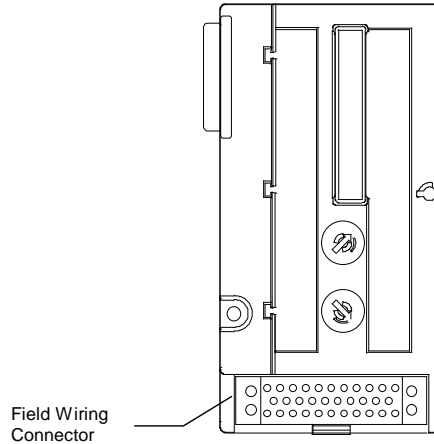
The label provided with the module can be folded and inserted in the module's transparent door.

#### Terminal Numbering for a Barrier-Style I/O Carrier



### *Wiring for a Connector-Style I/O Carrier (IC200CHS003)*

For a Connector-Style I/O Carrier field connections are usually made to an Interposing I/O Terminal unit and one or more Auxiliary I/O Terminals. However, it is also possible to make field wiring connections directly to the Connector-Style I/O Carrier itself using contacts crimped to the ends of the field wires.



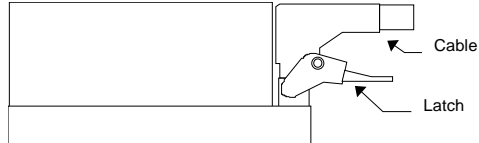
### *Prewired Cables for a Connector-Style I/O Carrier*

Connection between a Connector-Style I/O Carrier and Interposing I/O Terminals is made by cable. The following cables are available:

IC200CBL105	2 connectors, 0.5m, no shield
IC200CBL110	2 connectors, 1.0m, no shield
IC200CBL120	2 connectors, 2.0m, no shield
IC200CBL230	1 connector, 3.0m, no shield

### Installing and Removing a Prewired Cable

To install a prewired connecting cable, place the cable connector over the connector on the carrier and press downward until the latch engages the tab on the connector.



To remove the cable, hold the cable connector and press up on the latch to release the connector. When removing the cable, remember that operating equipment may be very hot, especially at higher ambient temperatures. If the equipment is hot, do not touch it directly.

DO NOT TOUCH exposed connector pins if the system is operating.

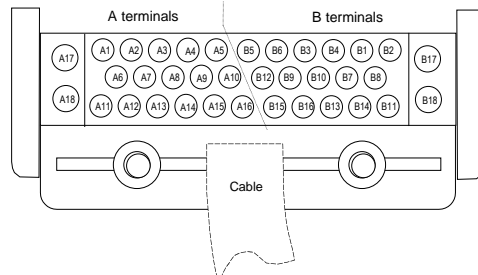
### Connector Kit

A connector kit (part number IC200ACC304) is available for building custom cables or for connecting wires directly from field devices. The kit includes two connectors and covers, four screws, 27 small contacts, and 12 large contacts. The following equipment is also required but not included in the kit:

Crimping Tools	small contact	Molex 11-01-0008
	large contact	Molex 11-01-0084
Extraction Tools	small contact	Molex 11-03-0002
	large contact	Molex 11-03-0006

### Terminal Numbering

The following illustration displays the terminal assignments of the connector pins as viewed from above.



### Terminal Assignments for Cable IC200CBL230

The table below shows terminal assignments and wire marking schemes for cable IC200CBL230.

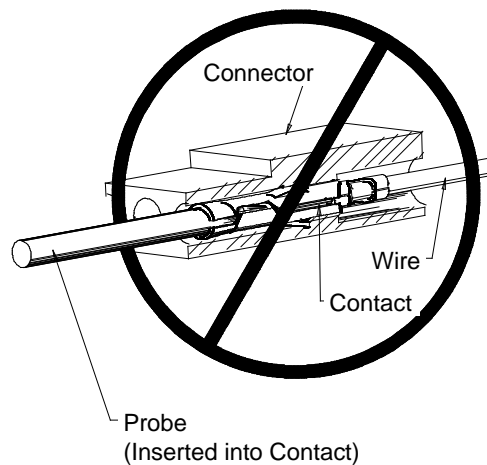
Terminal Block Position	Marking Scheme for Color-coded Wire (IC200CBL230C and earlier)					Marking Scheme for Number-Text coded wire (IC200CBL230D and later)	
	Terminal #	Wire #	Bas color	1 <sup>st</sup> spot/ stripe	2 <sup>nd</sup> spot/ /stripe	Terminal # Wire #	White wire base color marked with the following in black ink
A1	36	32	Black	—	—	1	1-ONE
A2	35	34	Black	Red	—	2	2-TWO
A3	34	23	Black	White	Green	3	3-THREE
A4	33	11	Orange	Red	—	4	4-FOUR
A5	32	36	Red	Green	—	5	5-FIVE
A6	25	16	Blue	Red	—	6	6-SIX
A7	24	22	Black	White	Orange	7	7-SEVEN
A8	23	38	Green	White	—	8	8-EIGHT
A9	22	10	Red	Black	Green	9	9-NINE
A10	21	13	Blue	White	—	10	10-TEN
A11	15	37	Blue	White	Orange	11	11-ELEVEN
A12	14	21	Orange	Black	Green	12	12-TWELVE
A13	13	9	Green	Black	Orange	13	13-THIRTEEN
A14	12	12	Blue	Black	—	14	14-FOURTEEN
A15	11	30	Black	Red	Green	15	15-FIFTEEN
A16	10	24	Blue	Black	White	16	16-SIXTEEN
A17	4	7	White	Red	—	—	—
A17	4	8	White	Black	Red	36	GREEN – Solid color/no markings
A18	3	5	White	—	—	—	—
A18	3	6	White	Red	Green	35	YELLOW – Solid color/no markings
B1	27	35	Red	Black	—	17	17-SEVENTEEN
B2	26	33	Red	—	—	18	18-EIGHTEEN
B3	29	17	Red	White	Green	19	19-NINETEEN
B4	28	18	Black	White	Red	20	20-TWENTY
B5	31	19	Orange	White	Blue	21	21-TWENTY-ONE
B6	30	15	Orange	Green	—	22	22-TWENTY-TWO
B7	17	14	Green	—	—	23	23-TWENTY-THREE
B8	16	27	Orange	Black	—	24	24-TWENTY-FOUR
B9	19	29	Green	Black	—	25	25-TWENTY-FIVE

Terminal Block Position	Marking Scheme for Color-coded Wire (IC200CBL230C and earlier)					Marking Scheme for Number-Text coded wire (IC200CBL230D and later)	
	Terminal #	Wire #	Bas color	1 <sup>st</sup> spot/ stripe	2 <sup>nd</sup> spot/ stripe	Terminal #	White wire base color marked with the following in black ink
B10	18	40	Orange	—	—	26	26-TWENTY-SIX
B11	5	31	Red	Black	White	27	27-TWENTY-SEVEN
B12	20	39	Red	White	—	28	28-TWENTY-EIGHT
B13	7	26	Orange	Black	White	29	29-TWENTY-NINE
B14	6	25	Green	Black	White	30	30-THIRTY
B15	9	28	Blue	—	—	31	31-THIRTY-ONE
B16	8	20	Black	White	—	32	32-THIRTY-TWO
B17	2	3	White	Black	Green	—	—
B17	2	4	White	Black	—	34	BLACK – Solid color/no markings
B18	1	1	White	Red	Blue	—	—
B18	1	2	White	Red	Orange	33	RED – Solid color/no markings

**Note:** To accommodate larger currents for common connections, IC200CBL230C and earlier provide two color-coded 22AWG wires each for terminals 1-4 (wires 1-8) while IC200CBL230D and later provide one color-coded 18 AWG wire for each terminal 33-36.

### Caution

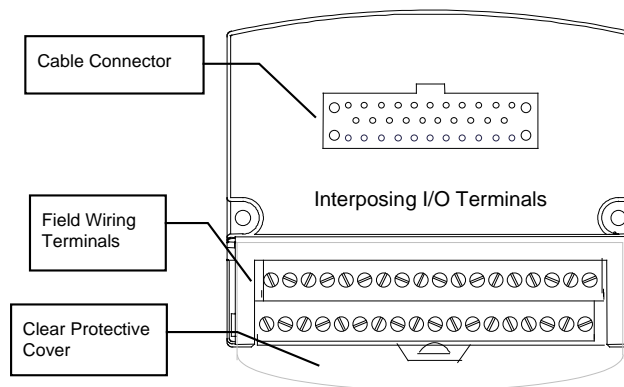
**Do not insert a test probe into the contacts. Permanent damage to the contacts will result.**



### *Installing Interposing I/O Terminals IC200TBM011, IC200TBM012, IC200TBM014, IC200TBM015*

Interposing I/O Terminals are used to provide field-wiring connections to a Connector-style I/O Carrier (IC200CHS003). Installation and wiring for several styles of Interposing I/O Terminals is described in this section.

The Interposing I/O Terminals illustrated below are available with box-style terminals (IC200TBM002), spring-clamp style terminals (IC200TBM005), or barrier-style terminals (IC200TBM001). A version with box-style terminals and a built-in thermistor (IC200TBM014) is also available for use with Thermocouple modules, as described in chapter 14. A clear protective hinged door covers the wiring terminals. The printed wiring card provided with each I/O module can be folded and inserted in this door.



These Interposing I/O Terminals unit can be mounted on the same DIN rail as the Connector-Style I/O Carrier, or on a separate DIN rail. For applications requiring maximum resistance to mechanical vibration and shock, the Interposing I/O Terminals must also be panel-mounted.

Use copper wire rated for 90 deg C. When inserting two wires in the same position, the wires must be the same size and type (solid or stranded). Wire specifications depend on the terminal type.

#### *Wiring Specifications for IC200TBM012, IC200TBM014, and IC200TBM015*

For box-type or spring type terminals, each terminal accommodates one solid or stranded AWG #14 (avg.  $2.1\text{mm}^2$  cross section) to AWG #22 (avg.  $0.36\text{mm}^2$  cross section) wire, or two wires up to AWG #18 (avg.  $0.86\text{mm}^2$  cross section).

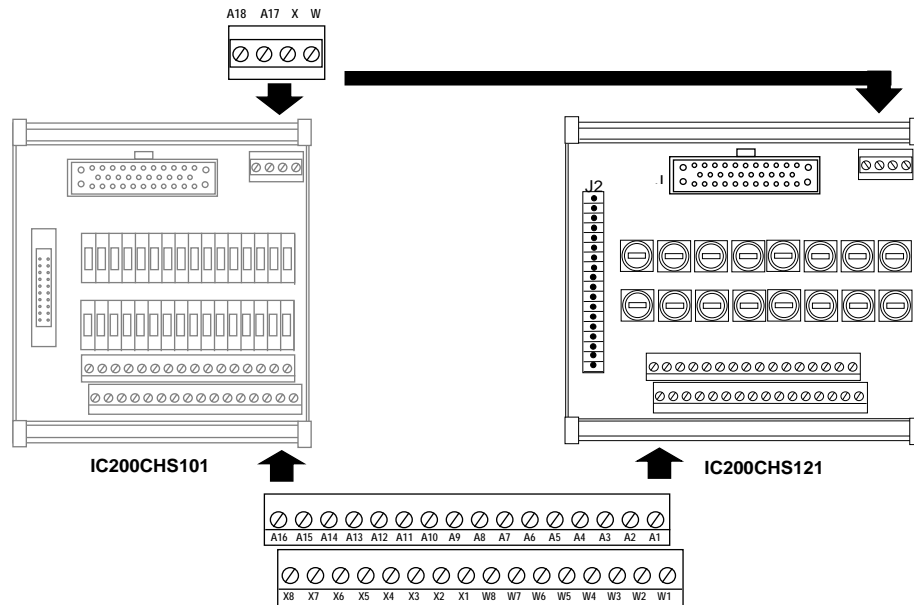
#### *Wiring Specifications for IC200TBM011*

For barrier-type terminals, each terminal accommodates one or two solid or stranded wires from AWG #22 (avg.  $0.36\text{mm}^2$  cross section) to AWG #14 (avg.  $2.1\text{mm}^2$  cross section).

## Installing Disconnect-Style Interposing I/O Terminals: IC200CHS101 and 102 and Fuse-Style Interposing I/O Terminals: IC200CHS121 and 122

Disconnect-Style Interposing I/O Terminals (IC200CHS101 and IC200CHS102) or Fuse-Style Interposing I/O Terminals (IC200CHS121 and IC200CHS122) interface a VersaMax Connector-Style I/O Carrier to field wiring and provide an integrated disconnect or fusing option for field devices connected to VersaMax I/O modules. The Main Base, IC200CHS101 or IC200CHS121, provides terminals that correspond to the "A" terminals on a VersaMax I/O module. If the I/O module also has "B" terminals, an Expansion Base, IC200CHS102 or CHS122) is also needed.

Field wiring to these interposing bases follows the standard wiring diagram for each module. Terminals A1-A18 and B1-B18 on the interposing terminal bases are connected in the same fashion as all other bases. The built-in auxiliary terminals (W1-W8, X1-X8, Y1-Y8, Z1-Z8) are positioned directly below the A or B terminals to provide for simple two-wire connection of field devices.



Each group of auxiliary terminals has a dedicated terminal to jumper the group to the appropriate VersaMax terminal ("W" terminal is connection point for W1-W8 and so forth.). The installation of these jumpers depends on the grouping present on the I/O module, as illustrated on the following pages.



### *Disconnect-Style and Fuse-Style Interposing I/O Bases, Terminal Wiring*

Each terminal accommodates:

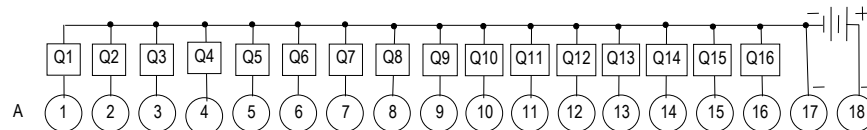
- One solid (0.2 to 4.0mm<sup>2</sup> cross section) or stranded (0.2 to 2.5mm<sup>2</sup> cross section), AWG #12 to AWG #24.

When inserting two wires in the same position, the wires must be the same size and type (solid or stranded):

- Rigid or flexible wires: 0.2 to 1.5mm<sup>2</sup> cross section.
- Stranded wires with ferrules, no plastic sleeve: 0.25 to 0.75mm<sup>2</sup> cross section
- Stranded wires with twin ferrule, with plastic sleeve:
  - Upper level (A/B terminals): 0.5 to 1.5mm<sup>2</sup> cross section
  - Lower level (W/X/Y/Z terminals): 0.5 mm<sup>2</sup> cross section
- Recommended torque for the terminal screws is 0.5 to 0.6 Nm.

### *Disconnect-Style and Fuse-Style Interposing I/O Terminals, Wiring for Modules with One Group per Row*

This wiring format generally applies when the associated VersaMax module provides for connection of I/O in 16-point groups. An example of such a module is the VersaMax 24 V DC 16pt Output Module, IC200MDL740:

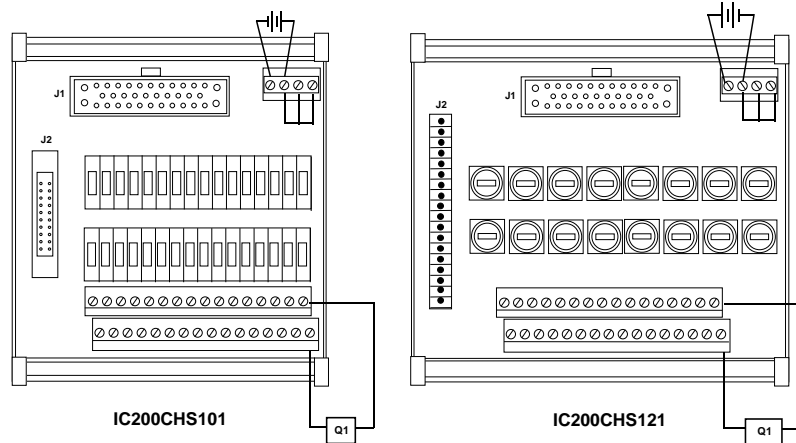


When connecting an Interposing Disconnect or Fuse base in this format, follow these guidelines:

- Connect the field devices to A1-A16 (or B1-B16 where appropriate)
- Connect the return wires of field devices to the corresponding common connections – A1 to W1, A2 to W2, A9 to X1, A10 to X2, and such.
- Connect jumpers between the A17, W, and X terminals (or B17, Y, and Z)
- Connect the power supply between A17 and A18 (or B17 and B18)

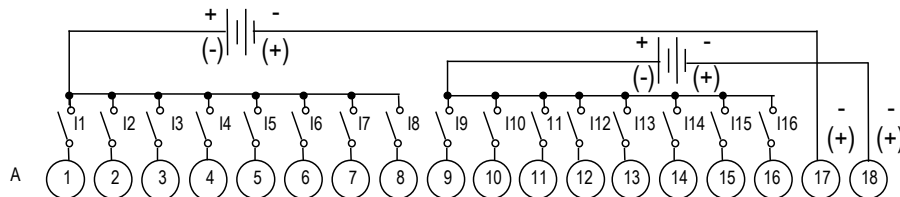
### Example: Wiring for Output Module IC200MDL740

The following figures provide example field wiring for IC200CHS101 or 121 when used with VersaMax modules with 1 group per terminal row.



### Disconnect-Style or Fuse-Style Interposing I/O Terminals, Wiring for Modules with Two Groups per Row

This wiring format generally applies when the associated VersaMax module provides for connection of I/O in 8-point groups. An example of such a module is the VersaMax 24 V DC 16pt Input Module, IC200MDL640.

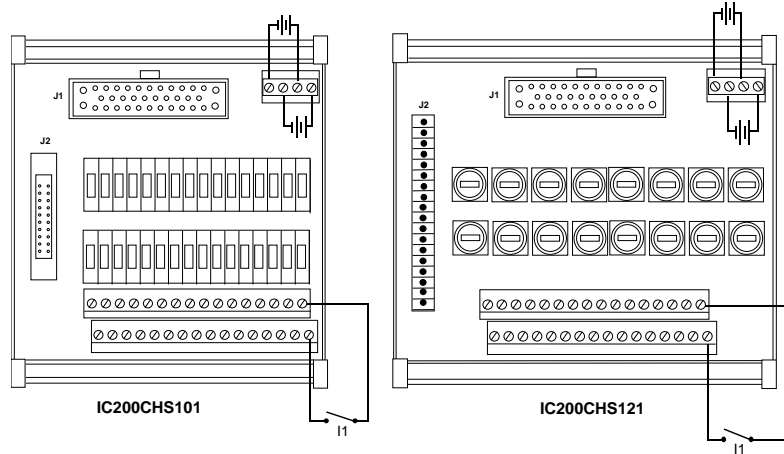


When connecting the Interposing Disconnect or Fuse bases in this format, follow these guidelines:

- Connect field devices to A1-A16 (or B1-B16 where appropriate)
- Connect return wires of field devices to the corresponding common connections – A1 to W1, A2 to W2, A9 to X1, A10 to X2, and such.
- Connect power supply between A17 and W (or B17 and Y).
- Connect power supply between A18 and X (or B18 and Z).

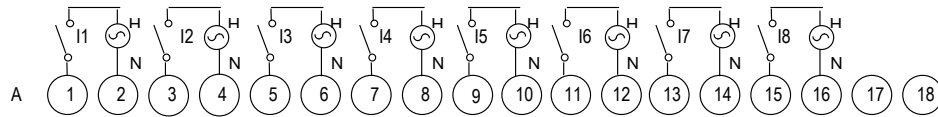
**Example Wiring Diagram for Module IC200MDL640**

The following figures provide example field wiring for IC200CHS101 or 121 when used with VersaMax modules with 2 groups per terminal row.



**Disconnect-Style or Fuse-Style Interposing I/O Terminals, Wiring for Modules with Connections that are Not Grouped**

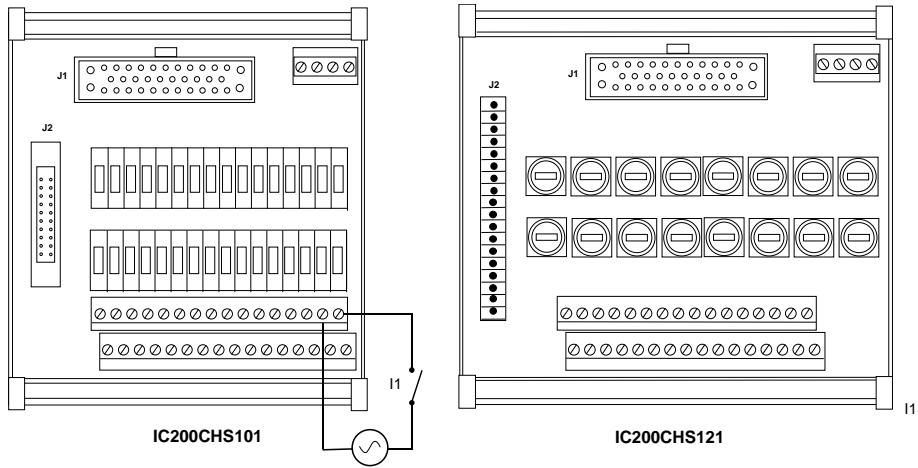
This wiring format generally applies when the associated VersaMax module provides for connection of isolated I/O devices, but may also be used when a non-isolated module provides dedicated terminals for each common connection. An example of an isolated module is the VersaMax 120V AC 8pt Isolated Input Module, IC200MDL143:



When connecting the Interposing Disconnect or Fuse base in this format, additional jumpers are usually not needed. Field wiring is connected to terminals A1-A16 (or B1-B16 where appropriate). The auxiliary terminals are not generally connected.

*Example Wiring Diagram for Module IC200MDL143*

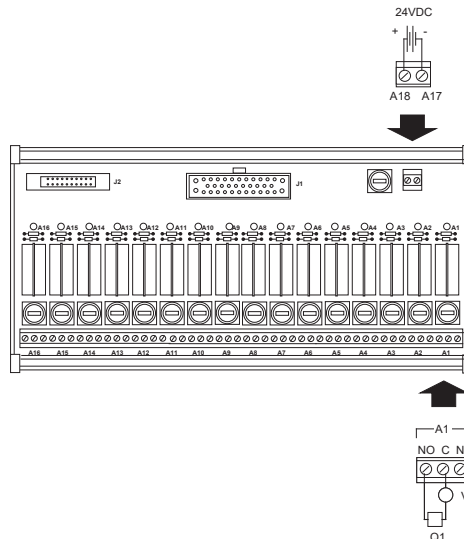
The following figures provide example field wiring for IC200CHS101 or 121 when used with VersaMax modules without grouped points.



## Installing Relay-Style Interposing I/O Terminals IC200CHS111 and IC200CHS112

The Relay-Style Interposing I/O Terminals (IC200CHS111 and IC200CHS112) each provide dry contacts capable of switching high current outputs (up to 8A). For the Relay Style Interposing I/O Terminals, power for operation of the relay coils must be provided by an external 24 V DC power supply. This power must be provided to both the main base (IC200CHS111) and the expansion base (IC200CHS112). Connection of this external power supply is made at the terminals A17 and A18 (B17 and B18 for the expansion base). This power connection is for the relay coils only. **User loads must be powered by an external source.**

Components labeled A1-A16 correspond to points Q1-Q16. Components labeled B1-B16 correspond to points Q17-Q32. Each point is associated with 3 terminal connections: NO (Normally Open), C (Common), and NC (Normally Closed). Loads may be connected between C and NO, C and NC, or both.



### Relay-Style Interposing I/O Terminals, Terminal Wiring

Each terminal accommodates:

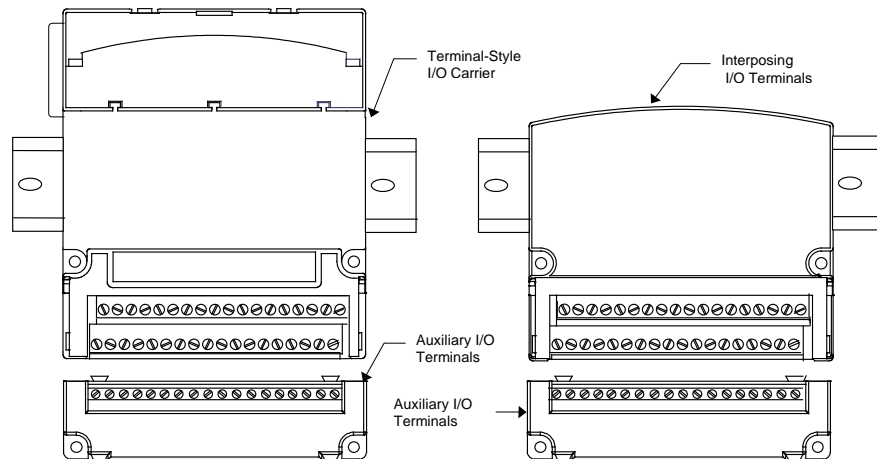
- One solid (0.2 to 4.0mm<sup>2</sup> cross section) or stranded (0.2 to 2.5mm<sup>2</sup> cross section), AWG #12 to AWG #24.

When inserting two wires in the same position, the wires must be the same size and type (solid or stranded), as specified below:

- Rigid or flexible wires: 0.2 to 1.5mm<sup>2</sup> cross section.
- Stranded wires with ferrules, no plastic sleeve: 0.25 to 0.75mm<sup>2</sup> cross section
- Stranded wires with twin ferrule, with plastic sleeve
- Recommended torque for the terminal screws is 0.5 to 0.6 Nm.

### Wiring for Auxiliary I/O Terminals

Auxiliary I/O Terminals can be used to provide extra field wiring connections if needed. They can be attached to either a terminal-style I/O carrier or to Interposing I/O Terminals. Auxiliary I/O Terminals units are available with 18 box-style terminals as displayed in the following figures or with 18 spring-style terminals or 12 barrier-style terminals.



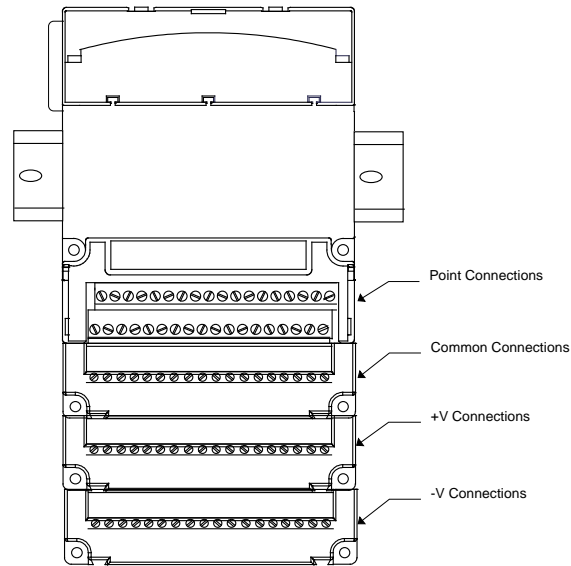
The terminals are electrically tied together. There is no electrical connection from the I/O Carrier or Interposing Terminals to the Auxiliary I/O Terminals; any necessary electrical reference must be provided. Multiple Auxiliary I/O

Terminals can be connected to provide the additional wiring terminals that may be needed for high-density modules, or for 2-, 3-, and 4-wire field devices.

Field Device	Diagram	16 Point Module		32 Point Module	
		Box-, Spring-, or Connector Carrier	Barrier-Style Carrier	Box-, Spring-, or Connector Carrier	Barrier-Style Carrier
1-wire	Point →	no Auxiliary Terminals			
2-wire	Point → Common →	1 Auxiliary Terminals †	3 Auxiliary Terminals	2 Auxiliary Terminals *	3 Auxiliary Terminals
3-wire	Point → Common → +V →	2 Auxiliary Terminals †	6 Auxiliary Terminals	4 Auxiliary Terminals *	6 Auxiliary Terminals
4-wire	Point → Common → +V → -V →	3 Auxiliary Terminals †	9 Auxiliary Terminals	6 Auxiliary Terminals *	9 Auxiliary Terminals

† For 16-point modules that only use one row of terminals for point wiring, a shorting bar may be used to provide extra terminals. Refer to the section , *Using A Shorting Bar*.

For example, a 16-point module might use 3 Auxiliary I/O Terminals for 4-wire devices as displayed in the following figure.



Auxiliary I/O Terminals accommodate current levels up to 8 A and voltage up to 264 V AC. Voltage transients up to 300 V AC will not cause damage.

#### *Installing Auxiliary I/O Terminals*

Auxiliary I/O Terminals are installed by inserting the tabs into the slots on the I/O Carrier or Interposing Terminals and pressing downward. Screws can be inserted through the panel-mount holes for added stability if needed.

Auxiliary Carriers must be installed on the I/O Carrier or Interposing Terminals before connecting field wiring.

#### *Wire Specifications for Auxiliary I/O Terminals*

Wire specifications depend on the terminal type. For box-type or spring type terminals, each terminal accommodates one solid or stranded AWG #14 (avg.  $2.1\text{mm}^2$  cross section) to AWG #22 (avg.  $0.36\text{mm}^2$  cross section) wire, or two wires up to AWG #18 (avg.  $0.86\text{mm}^2$  cross section).

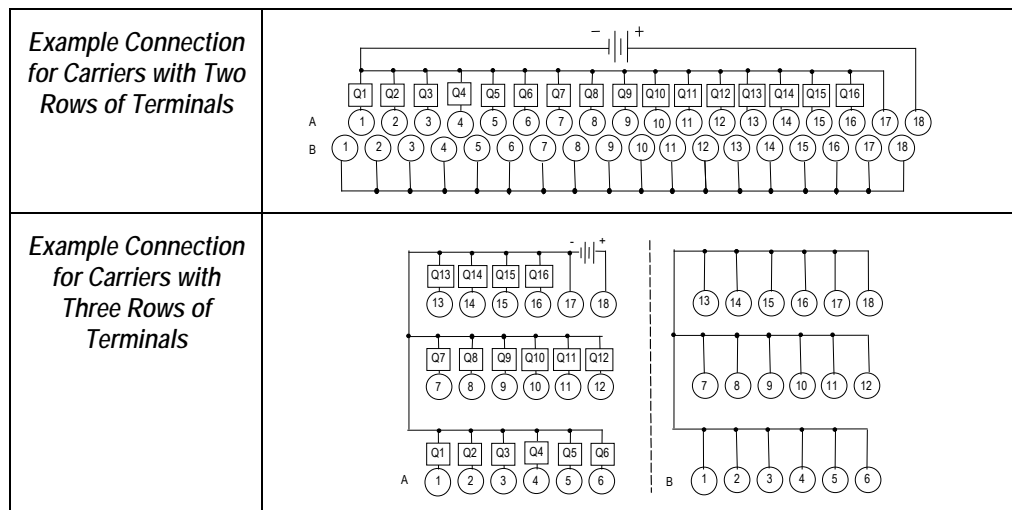
For barrier-type terminals, each terminal accommodates one or two solid or stranded wires from AWG #22 (avg.  $0.36\text{mm}^2$  cross section) to AWG #14 (avg.  $2.1\text{mm}^2$  cross section).

Use copper wire rated for 90 deg C. When inserting two wires in the same position, the wires must be the same size and type (solid or stranded).

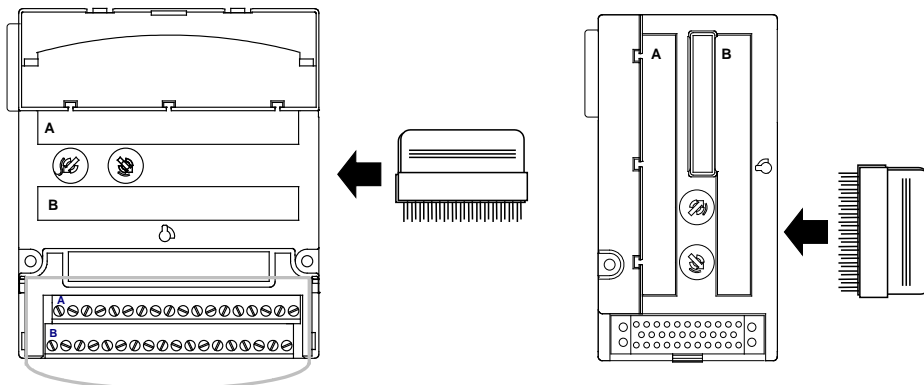
### Using Shorting Bars

Shorting Bars (part number IC200ACC303, quantity 2) can be a cost-effective solution for providing additional bussed terminals for modules that include only one I/O board. The shorting bar has a maximum current-carrying capacity of 2 Amps per point. Refer to the individual module descriptions to determine whether a shorting bar can be used for a particular module.

The following figures illustrate the use of a Shorting Bar on a 2-row or 3-row carrier to provide extra field wiring connections for an I/O module.

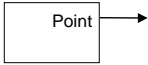
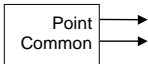
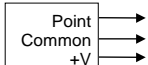
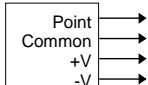


A Shorting Bar must be installed *directly on the carrier* before installing the I/O module.

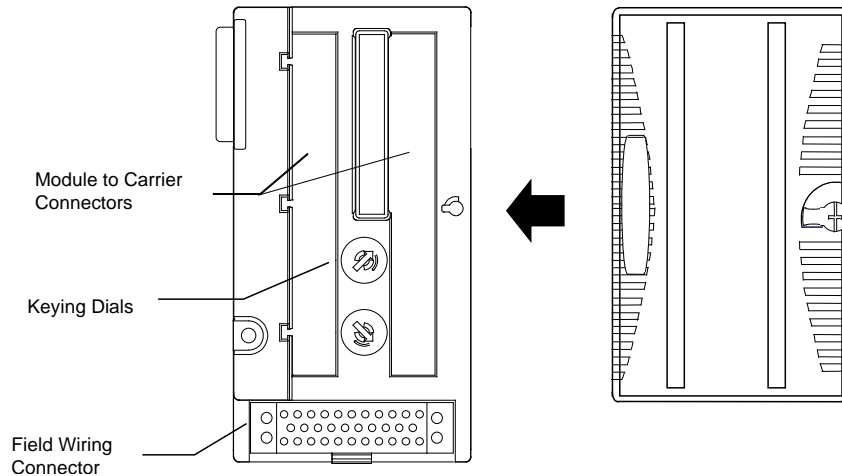




With a Shorting Bar in place, the unused terminals on the I/O Carrier or Interposing I/O Terminals unit can be used in the same way as the Auxiliary I/O Terminals described earlier.

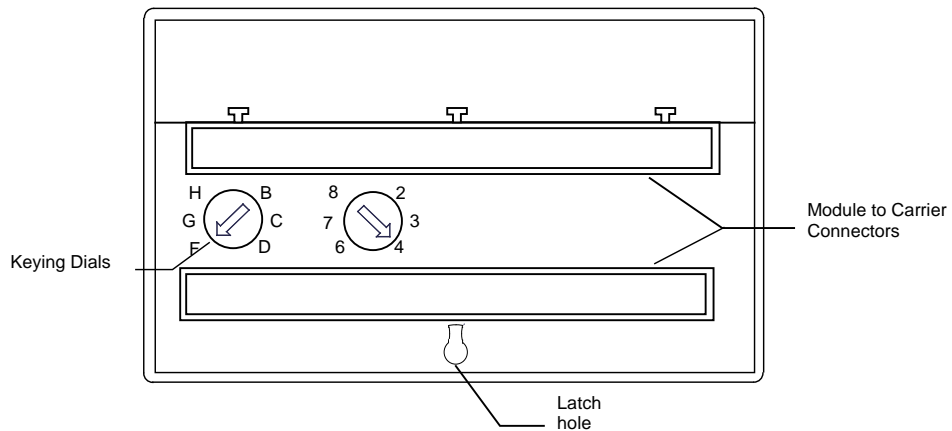
Field Device	Diagram	16 Point Module				32 Point Module	
		Box-, Spring-, or Connector Carrier	Barrier-Style Carrier	Box-, Spring-, or Connector Carrier with a Shorting Bar	Barrier-Style Carrier with a Shorting Bar	Box-, Spring-, or Connector Carrier	Barrier-Style Carrier
1-wire		no Auxiliary Terminals					
2-wire		1 Auxiliary Terminals	3 Auxiliary Terminals	no Auxiliary Terminals	Right side of barrier terminals on I/O Carrier	2 Auxiliary Terminals	3 Auxiliary Terminals
3-wire		2 Auxiliary Terminals	6 Auxiliary Terminals	1 Auxiliary Terminals	3 Auxiliary Terminals	4 Auxiliary Terminals	6 Auxiliary Terminals
4-wire		3 Auxiliary Terminals	9 Auxiliary Terminals	2 Auxiliary Terminals	6 Auxiliary Terminals	6 Auxiliary Terminals	9 Auxiliary Terminals

## Installing Modules



## Setting the Carrier Keying

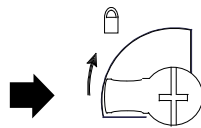
Keying dials on the carrier must be used to assure that the correct module type will be installed on that carrier. One dial selects alphabetic characters and the other selects numbers. These dials must be set to match the factory keying on the underside of the module. Refer to Appendix D for module keying assignments.



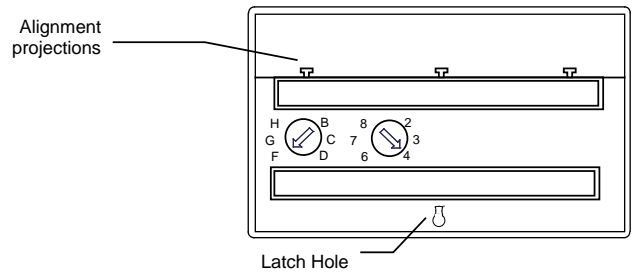
### Installing a Module on a Carrier

**Note:** Before installing a module in an operating system, refer to the following information about Module Hot Insertion and Removal.

The latch on the module must be in the unlocked position as displayed in the following figure to install a module on its carrier.

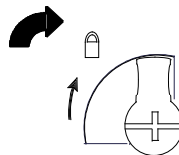


Align the three T-shaped projections on the module side with the slots on the carrier and align the latch post on the module with the hole on the carrier.



Press the module straight down onto the carrier, seating it fully.

Turn the latch to the locked position to secure the module to the top of the carrier.



### *Hot Insertion and Removal of I/O Modules*

If external power to an I/O module's field devices is removed, the module itself can be removed/inserted in an operating system (backplane power and CPU or NIU active) without affecting the rest of the system. Communications modules are not hot-insertable or removable.

For hot insertion, the I/O module must be properly seated on the carrier with all pins connected within 2 seconds. For removal, the module must be completely disengaged from the carrier within 2 seconds. If hot insertion or removal takes longer than 2 seconds, a System Misconfiguration fault may be generated, which may shut down the I/O Station.

#### **CAUTION**

**Operating equipment may be very hot, especially at higher ambient temperatures. If the equipment is hot, do not touch it directly.**

Such "hot insertion" and removal should not be attempted in hazardous locations. Personal injury, system malfunction and/or damage to the equipment may occur.

VersaMax equipment is suitable for use in non-hazardous locations or in Class 1, Div. 2, Groups A, B, C, and D, and Class 1 Zone 2 locations.

Explosion hazard: Substitution of components may impair suitability for Class 1, Division 2 and Class 1 Zone 2.

#### **NOTE**

The VersaMax power supply is not hot-swappable. Hot inserting or extracting the power supply is an improper method to power down or power up. Hot inserting the power supply can cause a "Corrupted User Memory Fault" condition. Power-cycling should only be accomplished by switching the main power going into the power supply.

# Chapter 3

## **Power Supplies**

---

---

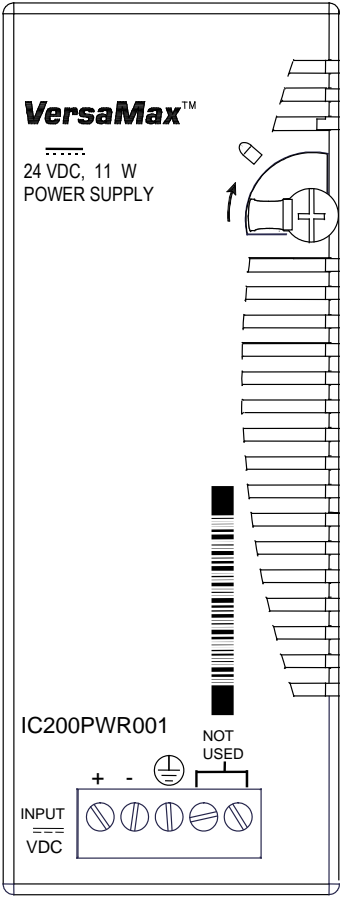
This chapter describes the VersaMax power supply modules. Refer to chapter 4 for information about the Power Supply Booster Carrier that can be used to install an additional “booster” power supply in the system.

- IC200PWR001 24 V DC Power Supply
- IC200PWR002 24 V DC Expanded 3.3 V Power Supply
- IC200PWR011 24 V DC Isolated Power Supply
- IC200PWR012 24 V DC Isolated Power Supply, Enhanced
- IC200PWR101 120/240 V AC Power Supply
- IC200PWR102 120/240 V AC Expanded 3.3 V Power Supply
- IC200PWR201 12 V DC Power Supply
- IC200PWR202 12 V DC Expanded 3.3V Power Supply

IC200PWR001  
24 V DC Power Supply

24 V DC Power Supply IC200PWR001 provides backplane power for CPU, NIU, and I/O modules. When mounted on the CPU or NIU module, it serves as the main power supply for the station and supplies up to 1.5 A output current through 3.3 V and 5 V outputs, with up to 0.25 A on the 3.3 V output. This is ample power for most installations. Refer to *Appendix C* for module backplane current consumption.

When mounted on a Power Supply Booster Carrier, IC200PWR001 can also be used as a supplemental power supply. Refer to *chapter 4, the section Power Supply Booster Carrier*.



**IC200PWR001**  
**24 V DC Power Supply**

### Specifications

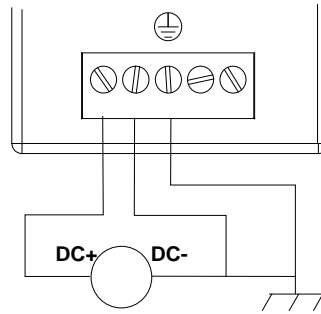
Input Voltage	18 to 30 V DC, 24 V DC nominal	
Input Power	11W	
Holdup Time	10ms	
Inrush Current	20 A for 6 ms maximum at 24 V DC <sup>†</sup> 25 A for 6 ms maximum at 30 V DC <sup>†</sup>	
Output Voltage	5 V DC, 3.3 V DC	
Protection	Short circuit, overload, reverse polarity	
Output Current	Standard power supply (IC200PWR001G):	Enhanced power supply (IC200PWR002G):
Total	1.5 A maximum <sup>‡</sup>	1.5 A maximum <sup>‡</sup>
3.3 V DC Output	0.25 A maximum	1.0 A maximum
5 V DC Output	(1.5 A - I <sub>3.3V</sub> maximum)	(1.5 A - I <sub>3.3V</sub> maximum)

<sup>†</sup> The Inrush current specification is given as a guide for sizing the external power source. Peak inrush current may be higher for shorter durations.

<sup>‡</sup> The total output current should not exceed 1.5 A. For example, if 3.3 V at 0.25 A is required, 1.25 A is available on the 5 V output.

### Wiring

DC- must be grounded to frame / earth ground. DC- is grounded to frame internally in the Power Supply. As a result, floating power supplies cannot be used.



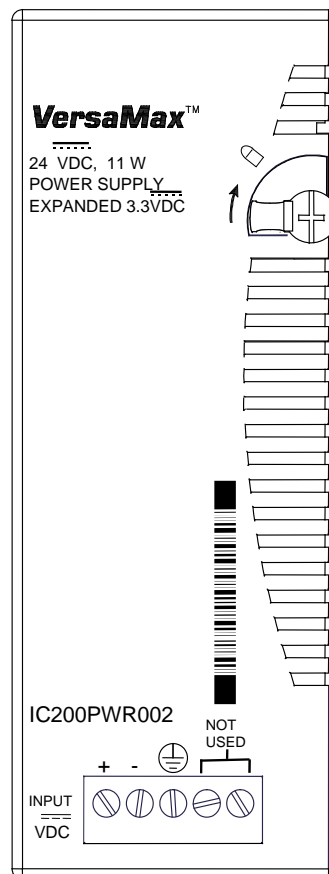
For agency compliance, external MOV suppression is required from both the positive and negative inputs to frame ground or at the power line input of a system enclosure. (Refer to chapter 2.) MOV protection across the inputs is provided on the supply and not necessary to add externally.



IC200PWR002  
24 V DC Expanded 3.3 V Power Supply

24 V DC Expanded 3.3 V Power Supply IC200PWR002 provides backplane power for CPU, NIU, and I/O modules. When mounted on the CPU or NIU module, it serves as the main power supply for the station and supplies up to 1.5 A output current through 3.3 V and 5 V outputs, with up to 1.0 A on the 3.3 V output. *Refer to Appendix C for module backplane current consumption.*

When mounted on a Power Supply Booster Carrier, it can also be used as a supplemental power supply. *Refer to chapter 4, the section Power Supply Booster Carrier.*



**IC200PWR002**  
**24 V DC Expanded 3.3 V Power Supply**

### Specifications

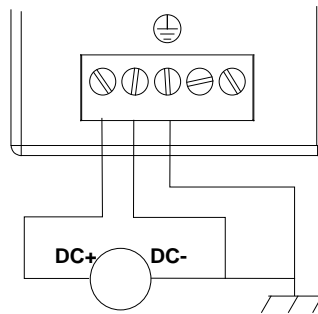
Input Voltage	18 to 30 V DC, 24 V DC nominal	
Input Power	11W	
Holdup Time	10ms	
Inrush Current	20 A for 6 ms maximum at 24 V DC <sup>†</sup> 25 A for 6 ms maximum at 30 V DC <sup>†</sup>	
Output Voltage	5 V DC, 3.3 V DC	
Protection	Short circuit, overload, reverse polarity	
Output Current	Standard power supply (IC200PWR001G):	Enhanced power supply (IC200PWR002G):
Total	1.5 A maximum <sup>‡</sup>	1.5 A maximum <sup>‡</sup>
3.3 V DC Output	0.25 A maximum	1.0 A maximum
5 V DC Output	(1.5 A - I <sub>3.3 V</sub> maximum)	(1.5 A - I <sub>3.3 V</sub> maximum)

<sup>†</sup> The Inrush current specification is given as a guide for sizing the external power source. Peak inrush current may be higher for shorter durations.

<sup>‡</sup> The total output current should not exceed 1.5 A. For example, if 3.3 V at 0.25 A is required, 1.25 A is available on the 5 V output.

## Wiring

DC- must be grounded to frame / earth ground. DC- is grounded to frame internally in the Power Supply. As a result, floating power supplies cannot be used.



For agency compliance, external MOV suppression is required from both the positive and negative inputs to frame ground or at the power line input of a system enclosure. (*Refer to chapter 2.*) MOV protection across the inputs is provided on the supply and not necessary to add externally.

### IC200PWR011 and IC200PWR012 24 V DC Isolated Power Supplies

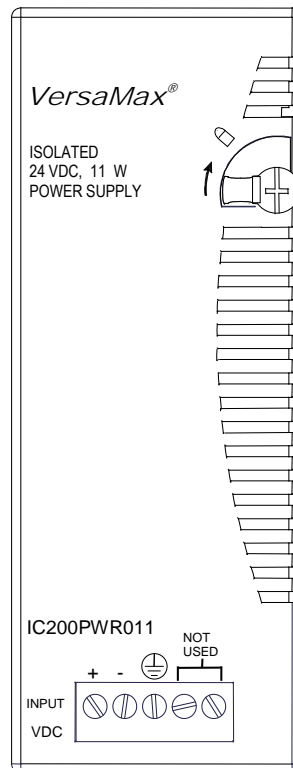
VersaMax 24 V DC Isolated Power Supplies IC200PRW011 and IC200PRW012 provide backplane power for CPU, NIU, and I/O modules. Module backplane current consumption is summarized in GFK-1504, *VersaMax I/O Manual*.

Both Isolated Power Supplies provide up to 1.5 A output current through 3.3-V and 5-V outputs.

Isolated Power Supply IC200PWR011, illustrated below, supplies up to 0.25 Amp on the 3.3-V output. This is ample power for most installations.

The Enhanced 3.3 V Isolated Power Supply IC100PWR012 supplies up to 1.0 A on the 3.3-V output.

When mounted on the CPU or NIU module, it serves as the main power supply for the station. It can also be used as a supplemental power supply when mounted on a Power Supply Booster Carrier.



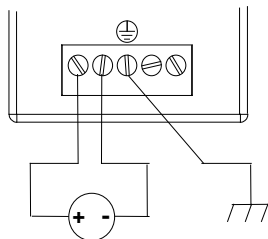
### Specifications

Input Voltage	18 to 30 V DC, 24 V DC nominal	
Input Power	11 W	
Holdup Time	10ms	
Inrush Current	20 A maximum at 24 V DC 25 A maximum at 30 V DC	
Output Voltage	5 V DC, 3.3 V DC	
Protection	Short circuit, overload, reverse polarity	
Isolation	1500 Vs between primary and secondary	
Output Current	Standard (PWR011)	Enhanced (PWR012)
Total	1.5 A <sup>†</sup> maximum	1.5 A <sup>†</sup> maximum
3.3 V DC Output	0.25 A maximum	1.0 A maximum Refer to the section, <i>IC200PWR012 Thermal Derating</i> .
5 V DC Output	(1.5 A - I <sub>3.3V</sub> ) maximum	(1.5 A - I <sub>3.3V</sub> ) maximum

<sup>†</sup> The total output current should not exceed 1.5 A. For example, if 3.3 V at 0.25 A is required, 1.25 A is available on the 5 V output.

### Wiring

24 V DC is internally isolated from frame ground and the +5 V, +3.3 V outputs in the Power Supply. Floating 24 V DC supplies can be used.

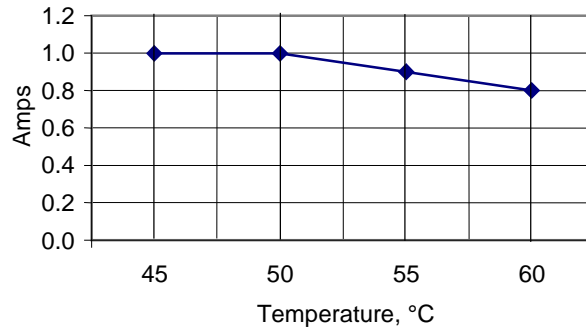


Connect an appropriate source of 24 V DC to the power supply. Terminals accommodate one AWG #14 (avg. 2.1mm<sup>2</sup> cross section) to AWG #22 (avg. 0.36mm<sup>2</sup> cross section) wire, or two wires up to AWG #18 (avg. 0.86mm<sup>2</sup> cross section). Use copper wire rated for 90°C. When inserting two wires in the same position, the wires must be the same size and type (solid or stranded).

Connect the ground terminal to the conductive mounting panel with a 10 cm (4 in) maximum length of AWG #14 (avg. 2.1mm<sup>2</sup>) or larger wire. Use hardware such as star washers to ensure ground integrity.

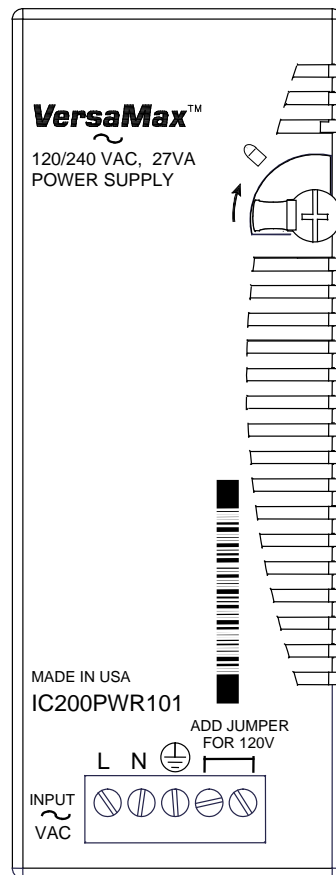
*IC200PWR012 Thermal Derating*

3.3 V Output vs. Ambient Temperature



## IC200PWR101 120/240 V AC Power Supply

120/240 V AC Power Supply IC200PWR101 provides backplane power for CPU, NIU, and I/O modules. It supplies up to 1.5 A output current through 3.3 V and 5 V outputs, with up to 0.25 Am on the 3.3 V output. This is ample power for most installations. Refer to *Appendix C* for module backplane current consumption.



When mounted on the CPU or NIU module, this power supply serves as the main power supply for the station. It can also be used as a supplemental power supply when mounted on a Power Supply Booster Carrier. Refer to *chapter 4*, the section *Power Supply Booster Carrier*.

**IC200PWR101**  
**120/240 V AC Power Supply**

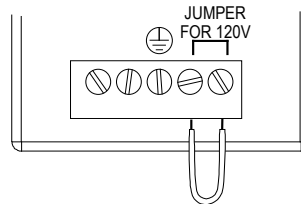
### Specifications

Input Voltage	85 to 132 V AC with jumper installed, 120 V AC nominal 176 to 264 V AC w/o jumper installed, 240 V AC nominal
Input Power	27VA
Frequency	47 to 63Hz
Holdup Time	20ms
Output Voltage	5 V DC, 3.3 V DC
Protection	Short circuit, overload
Output Current	
Total	1.5 A maximum <sup>†</sup>
3.3 V DC Output	0.25 A maximum
5 V DC Output	(1.5 A - I <sub>3.3 V</sub> ) maximum

<sup>†</sup> The total output current should not exceed 1.5 A. For example, if 3.3 V at 0.25 A is required, 1.25 A is available on the 5 V output.

### Jumper Selection of 120 V AC or 240 V AC

This power supply can be used with either 120 V AC or 240 V AC nominal input power. For 120 V AC nominal operation, a jumper should be installed as marked on the power supply.



The power supply operates without a jumper installed; however, the hold-up specification is not met. If a jumper is not installed for 120 V AC operation, the power supply will not cause hazardous conditions.

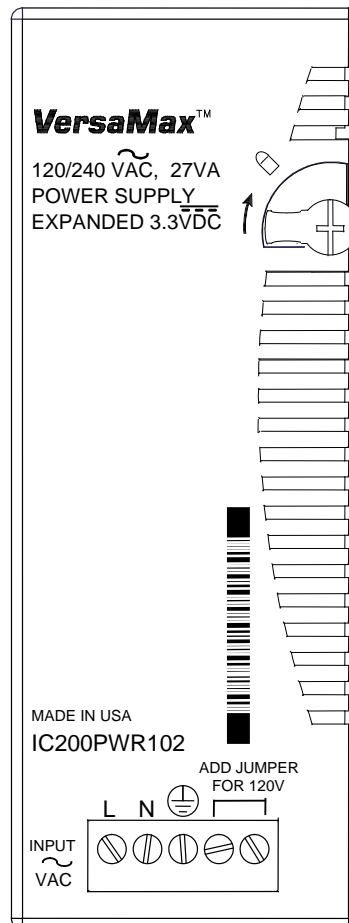
**WARNING:**

**DO NOT USE A JUMPER FOR 240 V AC OPERATION. If a jumper is used on the input connector for 240 V AC nominal operation, the power supply will be damaged and may cause hazardous conditions.**



## IC200PWR102 120/240 V AC Expanded 3.3 V Power Supply

120/240 V AC Expanded 3.3 Power Supply IC200PWR102 provides backplane power for CPU, NIU, and I/O modules. It supplies up to 1.5 A output current through 3.3 V and 5 V outputs, with up to 1.0 Amp on the 3.3 V output. *Refer to Appendix C for module backplane current consumption.*



When mounted on the CPU or NIU module, this power supply serves as the main power supply for the station. It can also be used as a supplemental power supply when mounted on a Power Supply Booster Carrier. *Refer to chapter 4, the section Power Supply Booster Carrier.*

**IC200PWR102**  
**120/240 V AC Expanded 3.3 V Power Supply**

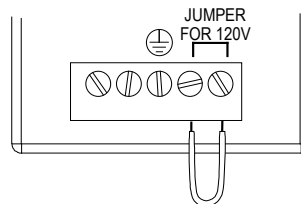
### Specifications

Input Voltage	85 to 132 V AC with jumper installed, 120 V AC nominal 176 to 264 V AC w/o jumper installed, 240 V AC nominal
Input Power	27VA
Frequency	47 to 63Hz
Holdup Time	20ms
Output Voltage	5 V DC, 3.3 V DC
Protection	Short circuit, overload
Output Current	
Total	1.5 A maximum <sup>†</sup>
3.3 V DC Output	1.0A maximum
5 V DC Output	(1.5 A - I <sub>3.3 V</sub> ) maximum

<sup>†</sup> The total output current should not exceed 1.5 A. For example, if 3.3 V at 1.0 A is required, 0.5 A is available on the 5 V output.

### Jumper Selection of 120 V AC or 240 V AC

This power supply can be used with either 120 V AC or 240 V AC nominal input power. For 120 V AC nominal operation, a jumper should be installed as marked on the power supply.



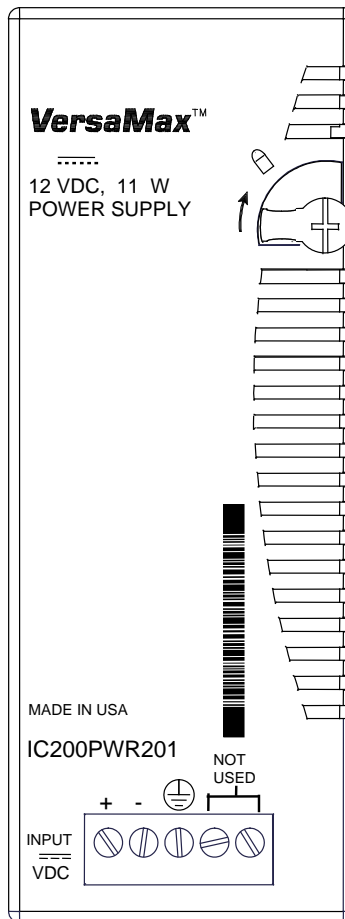
The power supply operates without a jumper installed; however, the hold-up specification is not met. If a jumper is not installed for 120 V AC operation, the power supply will not cause hazardous conditions.

**WARNING:**

**DO NOT USE A JUMPER FOR 240 V AC OPERATION. If a jumper is used on the input connector for 240 V AC nominal operation, the power supply will be damaged and may cause hazardous conditions.**

## IC200PWR201 12V DC Power Supply

12V DC Power Supply IC200PWR201 provides backplane power for CPU, NIU, and I/O modules. It supplies up to 1.5 A output current through 3.3 V and 5 V outputs, with up to 0.25 A on the 3.3 V output. This is ample power for most installations. *Refer to Appendix C for module backplane current consumption.*



When mounted on the CPU or NIU module, it serves as the main power supply for the station. It can also be used as a supplemental power supply when mounted on a Power Supply Booster Carrier. *Refer to chapter 4, the section Power Supply Booster Carrier.*

## IC200PWR201 12V DC Power Supply

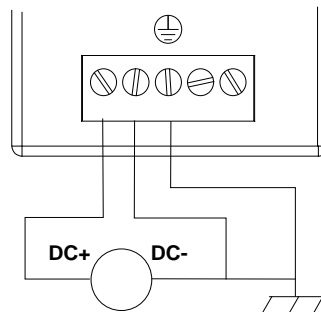
### Specifications

Input Voltage	9.6 to 15 V DC, 12V DC nominal
Input Power	11W
Holdup Time	10ms
Inrush Current	25 A at 12V DC 30A at 15 V DC
Output Voltage	5 V DC, 3.3 V DC
Protection	Short circuit, overload, reverse polarity
Output Current	
Total	1.5 A maximum <sup>†</sup>
3.3 V DC Output	0.25 A maximum
5 V DC Output	(1.5 A - I <sub>3.3 V</sub> ) maximum

<sup>†</sup> The total output current should not exceed 1.5 A. For example, if 3.3 V at 0.25 A is required, 1.25 A is available on the 5 V output.

### Wiring

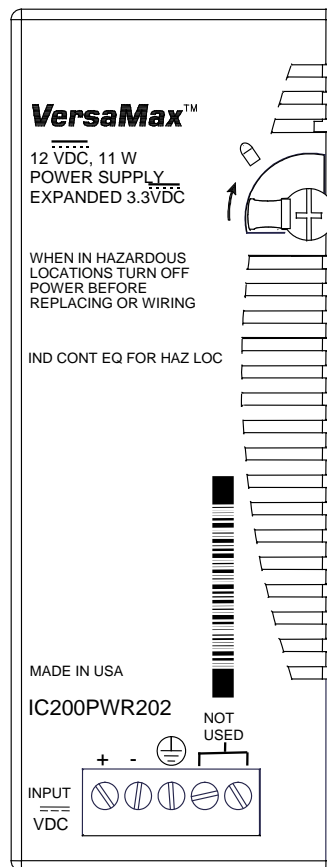
DC- must be grounded to frame / earth ground. DC- is grounded to frame internally in the Power Supply. As a result, floating power supplies cannot be used.



For agency compliance, external MOV suppression as detailed in chapter 2 is required from both the positive and negative inputs to frame ground or at the power line input of a system enclosure. MOV protection across the inputs is provided on the supply and not necessary to add externally.

## IC200PWR202 12V DC Expanded 3.3 V Power Supply

12V DC Expanded 3.3 V Power Supply IC200PWR202 provides backplane power for CPU, NIU, and I/O modules. It supplies up to 1.5 A output current through 3.3 V and 5 V outputs, with up to 1.0 A on the 3.3 V output. *Refer to Appendix C for module backplane current consumption.*



When mounted on the CPU or NIU module, it serves as the main power supply for the station. It can also be used as a supplemental power supply when mounted on a Power Supply Booster Carrier. *Refer to chapter 4, the section Power Supply Booster Carrier.*

## IC200PWR202 12V DC Expanded 3.3 V Power Supply

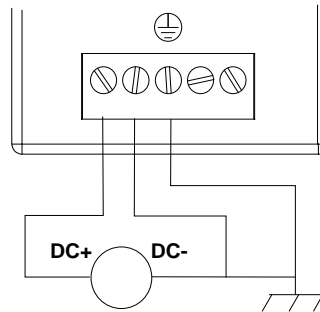
### Specifications

Input Voltage	9.6 to 15 V DC, 12V DC nominal
Input Power	11W
Holdup Time	10ms
Inrush Current	25 A at 12V DC 30A at 15 V DC
Output Voltage	5 V DC, 3.3 V DC
Protection	Short circuit, overload, reverse polarity
Output Current Total 3.3 V DC Output 5 V DC Output	1.5 A maximum <sup>†</sup> 1.0A maximum (1.5 A - I <sub>3.3V</sub> ) maximum

<sup>†</sup> The total output current should not exceed 1.5 A. For example, if 3.3 V at 1.0A is required, 0.5A is available on the 5 V output.

### Wiring

DC- must be grounded to frame / earth ground. DC- is grounded to frame internally in the Power Supply. As a result, floating power supplies cannot be used.



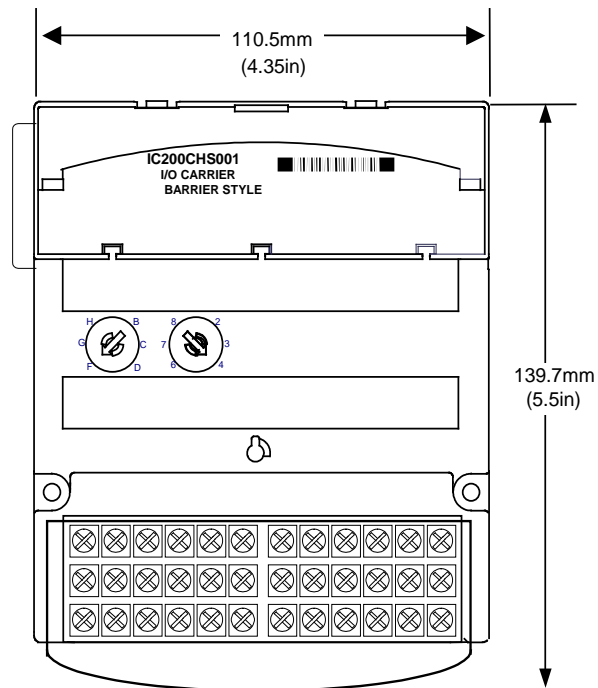
For agency compliance, external MOV suppression as detailed in chapter 2 is required from both the positive and negative inputs to frame ground or at the power line input of a system enclosure. MOV protection across the inputs is provided on the supply and not necessary to add externally.

This chapter describes the Carriers that provide mounting and backplane communications for VersaMax modules.

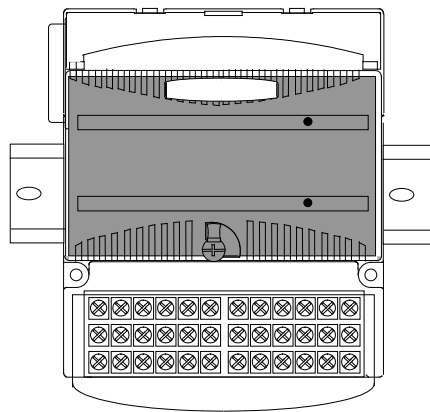
- IC200CHS001 Barrier-Style I/O Carrier
- IC200CHS002 Box-Style I/O Carrier
- IC200CHS003 Connector-Style I/O Carrier
- IC200CHS005 Spring-Style I/O Carrier
- IC200CHS022 Compact Box-Style I/O Carrier
- IC200CHS025 Compact Spring-Style I/O Carrier
- IC200CHS006 Communications Carrier
- IC200PNS001 PROFINET Scanner Carrier, 10/100 Mbps copper ports
- IC200PNS002 PROFINET Scanner Carrier, 100 Mbps Multi-Mode fiber
- IC200PWB001 Power Supply Booster Carrier

### IC200CHS001 Barrier-Style I/O Carrier

The Barrier-Style I/O Carrier (IC200CHS001) has 36 barrier-style terminals. It provides mounting, backplane communications, and field wiring for one I/O module.



The I/O module mounts lengthwise (parallel to the DIN rail) on this carrier.





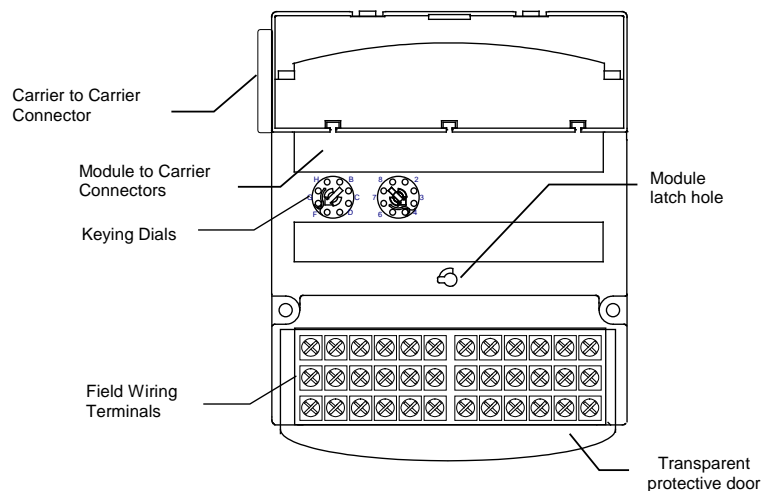
## IC200CHS001 Barrier-Style I/O Carrier

### Din Rail Mounting

The I/O carrier snaps easily onto a 7.5 mm x 35 mm DIN rail. The DIN rail must be electrically grounded to provide EMC protection. The rail must have a conductive (unpainted) corrosion-resistant finish. For applications requiring maximum resistance to mechanical vibration and shock, the carrier must also be panel-mounted. *Refer to chapter 2 for installation instructions.*

### Features

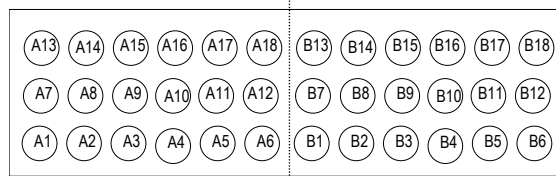
- The Barrier-Style I/O carrier supports wiring for up to 32 I/O points and 4 common/power connections.
- Easily-set keying dials to assure installation of the correct type of module on the carrier. Keys are set to match the keying on the bottom of the module. Refer to Appendix D for a complete list of module keying assignments.
- Carrier-to-carrier mating connectors for quick installation of the backplane connection with no additional cables or tools needed.
- Module latch hole for securely fastening the module to the carrier.
- A clear protective hinged door covering the wiring terminals. The printed wiring card provided with each I/O module can be folded and inserted in this door.
- Notches on the lower edge for attaching an Auxiliary I/O Terminal Strip if extra bussed connection points are needed.



## IC200CHS001 Barrier-Style I/O Carrier

### Field Wiring Terminals

Each terminal accommodates one or two solid or stranded wires from AWG #22 (avg. 0.36 mm<sup>2</sup> cross section) to AWG #14 (avg. 2.1 mm<sup>2</sup> cross section).

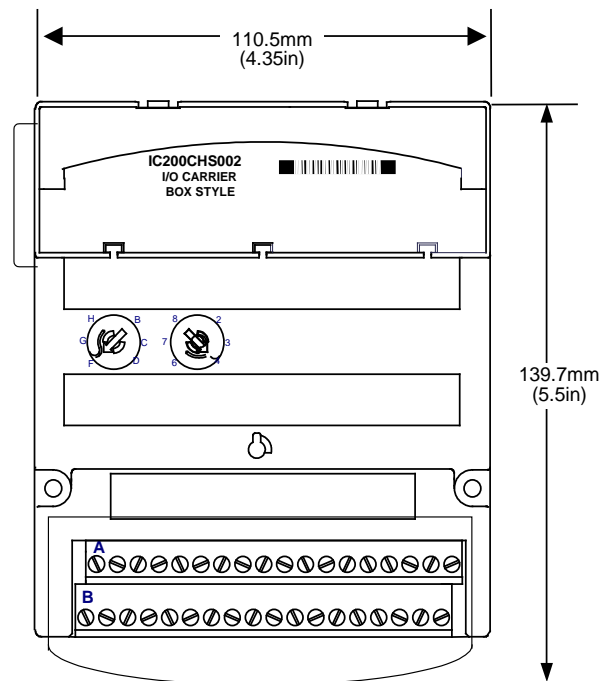


The carrier accommodates current levels up to 2 A per point or 8 A per each power and ground, and a voltage range of up to 264 V AC. Voltage transients up to 300 V AC will not damage the carrier.

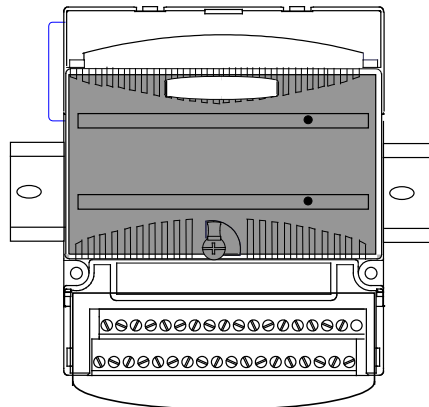
One or more Auxiliary I/O Terminal Strips can be added to provide extra field wiring connections if needed. Auxiliary I/O Terminal Strips insert directly into the lower edge of the I/O Carrier.

**IC200CHS002  
Box-Style I/O Carrier**

The Box-Style I/O Carrier (IC200CHS002) has 36 IEC box-style terminals. It provides mounting, backplane communications, and field wiring for one I/O module.



The I/O module mounts lengthwise (parallel to the DIN rail) on this carrier.



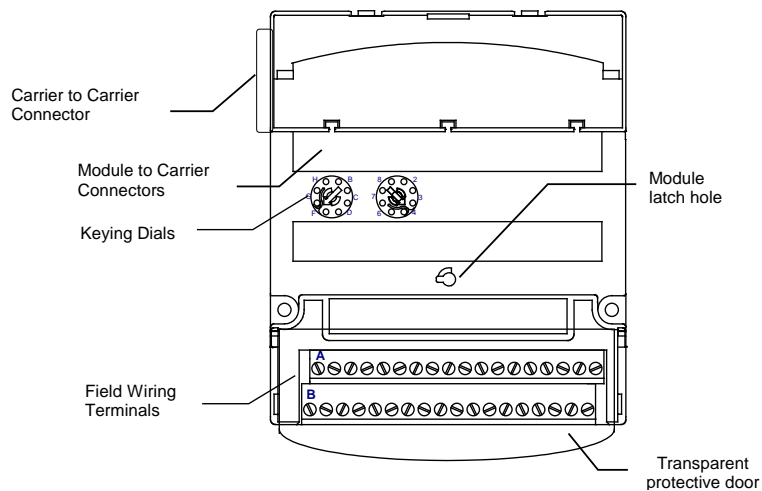
## IC200CHS002 Box-Style I/O Carrier

### Din Rail Mounting

The I/O carrier snaps easily onto a 7.5 mm x 35 mm DIN rail. The DIN rail must be electrically grounded to provide EMC protection. The rail must have a conductive (unpainted) corrosion-resistant finish. For applications requiring maximum resistance to mechanical vibration and shock, the carrier must also be panel-mounted. Refer to chapter 2 for installation instructions.

### Features

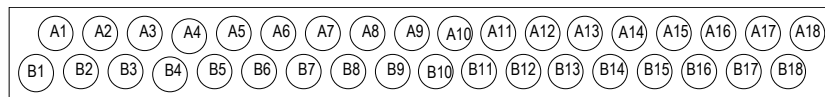
- The Box-Style I/O carrier supports wiring for up to 32 I/O points and 4 common/power connections.
- Easily-set keying dials to assure installation of the correct type of module on the carrier. Keys are set to match the keying on the bottom of the module.
- Carrier-to-carrier mating connectors for quick installation of the backplane connection with no additional cables or tools needed.
- Module latch hole for securely fastening the module to the carrier.
- A clear protective hinged door covering the wiring terminals. The printed wiring card provided with each I/O module can be folded and inserted in this door.
- Notches on the lower edge for attaching an Auxiliary I/O Terminal Strip if extra bussed connection points are needed.



---

**IC200CHS002**  
**Box-Style I/O Carrier*****Field Wiring Terminals***

Each terminal accommodates one solid or stranded AWG #14 (avg. 2.1 mm<sup>2</sup> cross section) to AWG #22 (avg. 0.36 mm<sup>2</sup> cross section) wire, or two wires up to AWG #18 (avg. 0.86 mm<sup>2</sup> cross section).

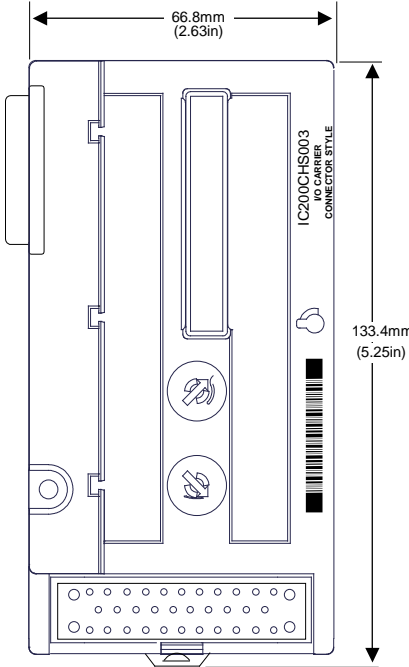


The carrier accommodates current levels up to 2 A per point or 8 A per each power and ground, and a voltage range of up to 264 V AC. Voltage transients up to 300 V AC will not damage the carrier.

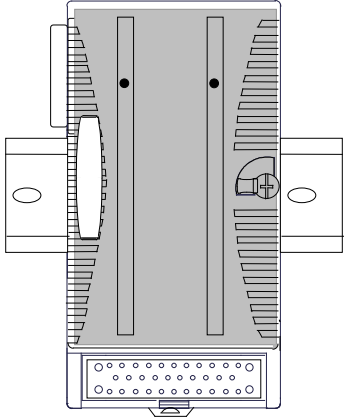
One or more Auxiliary I/O Terminal Strips can be added to provide extra field wiring connections if needed. Auxiliary I/O Terminal Strips insert directly into the lower edge of the I/O Carrier.

**IC200CHS003**  
**Connector-Style I/O Carrier**

The Connector-Style I/O Carrier (IC200CHS003) has a 36-pin connector for attaching an I/O cable. It provides mounting, backplane communications, and field wiring for one I/O module.



The I/O module mounts vertically (perpendicular to the DIN rail) on this carrier.



---

**IC200CHS003**  
**Connector-Style I/O Carrier**

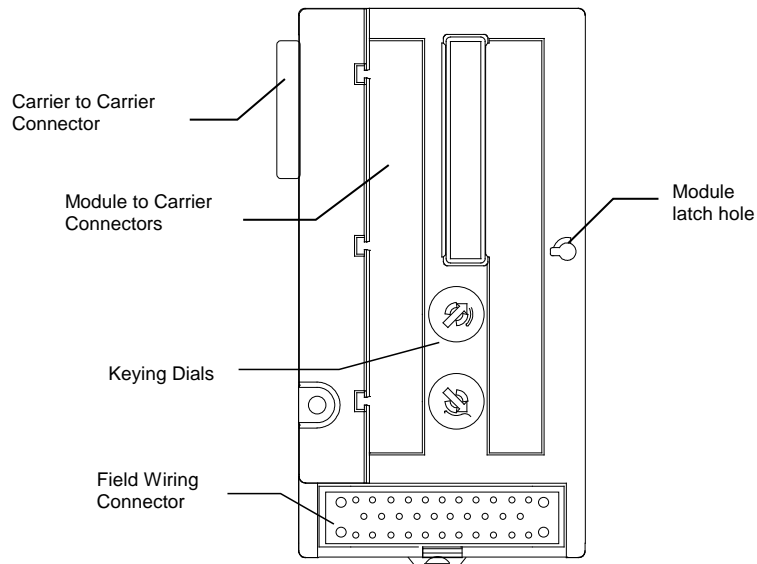
### *Din Rail Mounting*

The carrier snaps easily onto a 7.5 mm x 35 mm DIN rail. The DIN rail must be electrically grounded to provide EMC protection. The rail must have a conductive (unpainted) corrosion-resistant finish.

For applications requiring maximum resistance to mechanical vibration and shock, the carrier must also be panel-mounted. Refer to chapter 2 for installation instructions.

### *Features*

- Easily-set keying dials to assure installation of the correct type of module on the carrier. Keys are set to match the keying on the bottom of the module.
- Carrier-to-carrier mating connectors for quick installation of the backplane connection with no additional cables or tools needed.
- Module latch hole for securely fastening the module to the carrier.
- Connector provides quick attachment of wiring for up to 32 I/O points and 4 common/power connections.



### **IC200CHS003** **Connector-Style I/O Carrier**

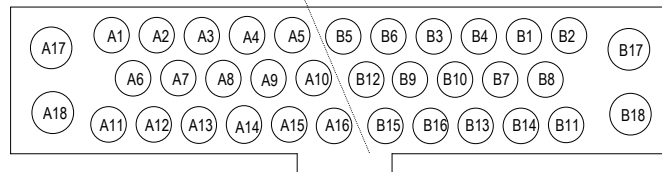
#### **Field Wiring Connection**

I/O devices can be wired directly to Interposing I/O Terminals, described separately in this chapter, or other types of terminal strips.

Connection to the Connector Style I/O Carrier is made by cable. The following cables are available:

IC200CBL105	2 connectors, 0.5m, no shield
IC200CBL110	2 connectors, 1.0m, no shield
IC200CBL120	2 connectors, 2.0m, no shield
IC200CBL230	1 connector, 3.0m, no shield

The notch on the connector indicates the orientation of the pins.



A connector kit is available for building custom cables. The kit is part number IC200ACC304.

The carrier accommodates current levels up to 2 A per point or 8 A per each power and ground, and a voltage range of up to 264 V AC. Voltage transients up to 300 V AC will not damage the carrier.

#### **Compatibility**

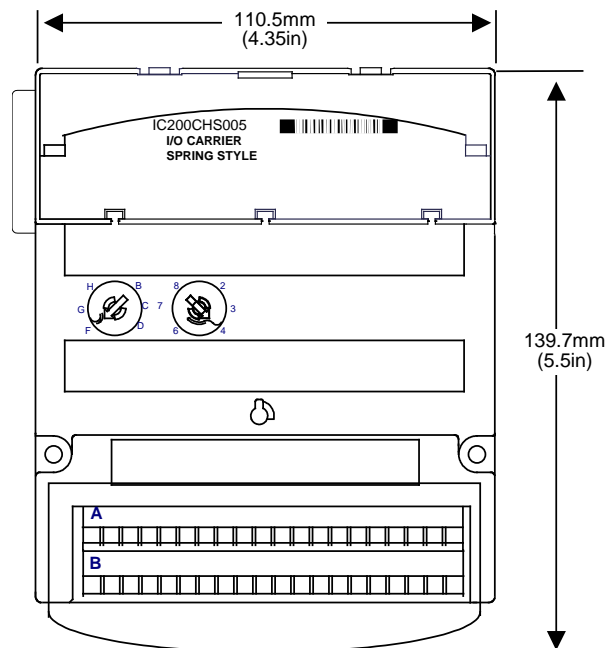
This carrier can be used with all VersaMax I/O modules EXCEPT the following, due to their high isolation requirements:

IC200MDL144	Input 240 V AC 4 Point Isolated Module
IC200MDL244	Input 240 V AC 8 Point Isolated Module
IC200MDD850	Mixed 240 V AC Isolated 4 Point / Output Relay 2.0 A Isolated 8 Point Module

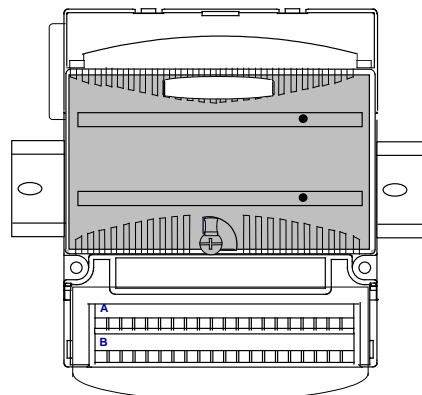


### IC200CHS005 Spring-Style I/O Carrier

The Spring-Style I/O Carrier (IC200CHS005) has 36 spring-clamp style terminals for field wiring. It provides mounting, backplane communications, and field wiring for one I/O module.



The I/O module mounts lengthwise (parallel to the DIN rail) on this carrier.



## IC200CHS005 Spring-Style I/O Carrier

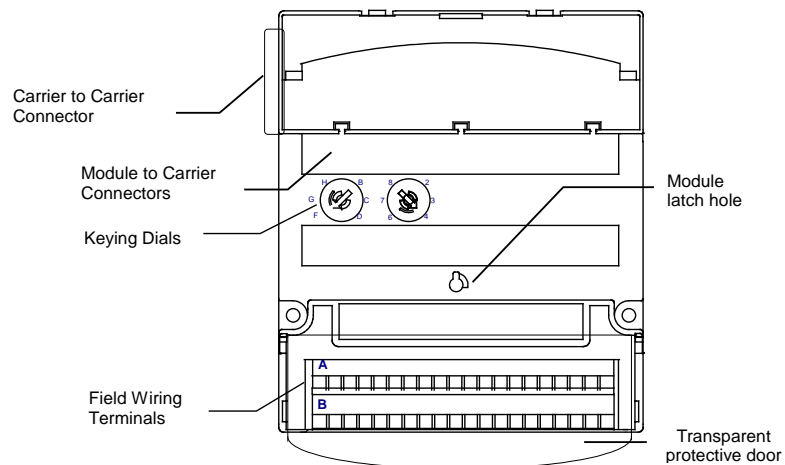
### Din Rail Mounting

The carrier snaps easily onto a 7.5 mm x 35 mm DIN rail. The DIN rail must be electrically grounded to provide EMC protection. The rail must have a conductive (unpainted) corrosion-resistant finish.

For applications requiring maximum resistance to mechanical vibration and shock, the carrier must also be panel-mounted. Refer to chapter 2 for installation instructions.

### Features

- The Spring-Style I/O Carrier supports up to 32 I/O points and 4 common/power connections.
- Easily-set keying dials to assure installation of the correct type of module on the carrier. Keys can be set to match the keying on the bottom of the module. A complete list of module keying is included in appendix D.
- Carrier-to-carrier mating connectors for quick installation of the backplane connection with no additional cables or tools needed.
- Module latch hole for securely fastening the module to the carrier.
- A clear protective hinged door covering the wiring terminals. The printed wiring card provided with each I/O module can be folded and inserted in this door.
- Notches on the lower edge for attaching an Auxiliary I/O Terminal Strip if extra bussed connection points are needed.

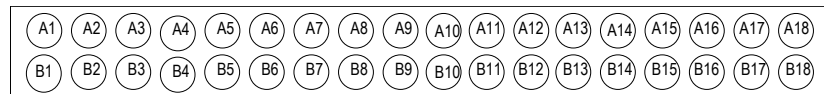


---

*IC200CHS005*  
*Spring-Style I/O Carrier*

### *Field Wiring Terminals*

Each terminal accommodates one solid or stranded AWG #14 (avg. 2.1 mm<sup>2</sup> cross section) to AWG #22 (avg. 0.36 mm<sup>2</sup> cross section) wire, or two wires up to AWG #18 (avg. 0.86 mm<sup>2</sup> cross section).

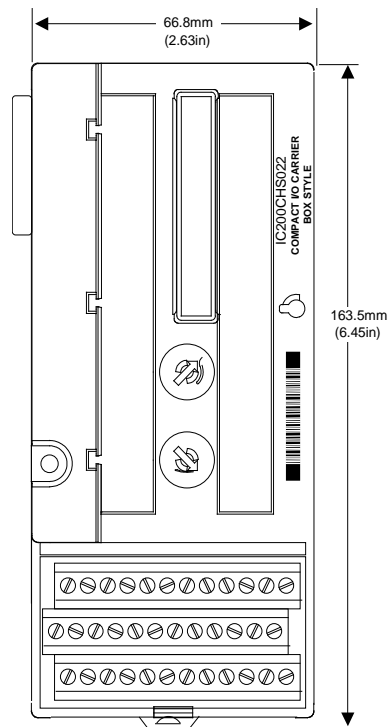


The carrier accommodates current levels up to 2 A per point or 8 A per each power and ground, and a voltage range of up to 264 V AC. Voltage transients up to 300 V AC will not damage the carrier.

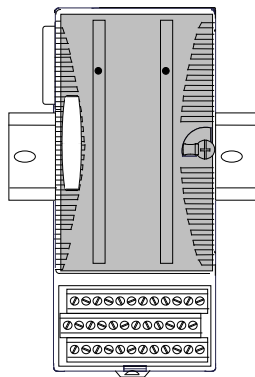
One or more Auxiliary I/O Terminal Strips can be added to provide extra field wiring connections if needed. Auxiliary I/O Terminal Strips insert directly into the lower edge of the I/O Carrier.

### IC200CHS022 Compact Box-Style I/O Carrier

The Compact Box-Style I/O Carrier (IC200CHS022) has 36 IEC box-style terminals. It provides mounting, backplane communications, and field wiring for one I/O module.



The I/O module mounts vertically (perpendicular to the DIN rail) on this carrier.



## IC200CHS022 Compact Box-Style I/O Carrier

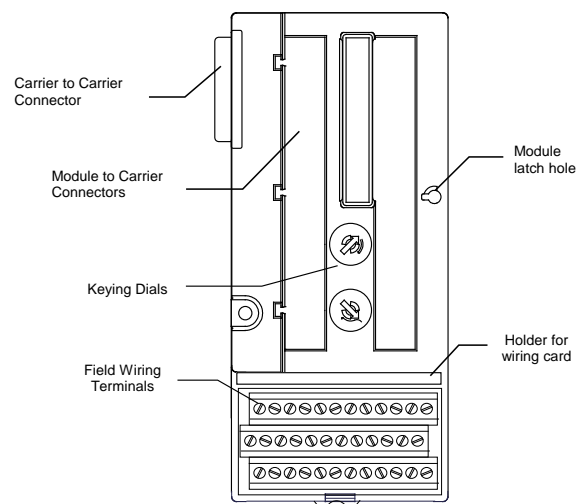
### *Din Rail Mounting*

The I/O carrier snaps easily onto a 7.5 mm x 35 mm DIN rail. The DIN rail must be electrically grounded to provide EMC protection. The rail must have a conductive (unpainted) corrosion-resistant finish.

For applications requiring maximum resistance to mechanical vibration and shock, the carrier must also be panel-mounted. Refer to chapter 2 for installation instructions.

### *Features*

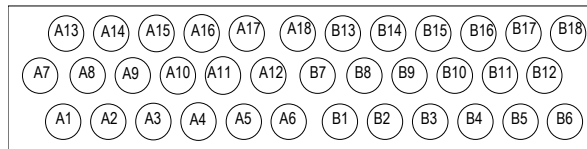
- The Compact Box-Style I/O carrier supports wiring for up to 32 I/O points and 4 common/power connections.
- Easily-set keying dials to assure installation of the correct type of module on the carrier. Keys are set to match the keying on the bottom of the module.
- Carrier-to-carrier mating connectors for quick installation of the backplane connection with no additional cables or tools needed.
- Module latch hole for securely fastening the module to the carrier.
- A printed wiring card provided with each I/O module can be folded and inserted in the built-in card holder.



## IC200CHS022 Compact Box-Style I/O Carrier

### Field Wiring Terminals

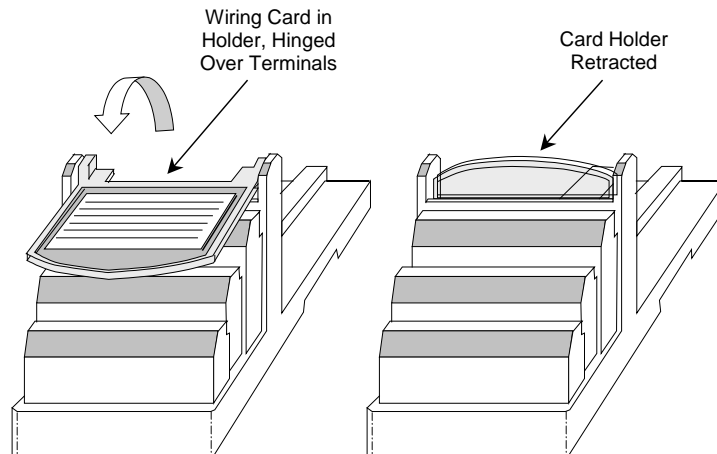
Each terminal accommodates one solid or stranded AWG #14 (avg. 2.1 mm<sup>2</sup> cross section) to AWG #22 (avg. 0.36 mm<sup>2</sup> cross section) wire, or two wires up to AWG #18 (avg. 0.86 mm<sup>2</sup> cross section).



The carrier accommodates current levels up to 2 A per point or 8 A per each power and ground, and a voltage range of up to 264 V AC. Voltage transients up to 300 V AC will not damage the carrier.

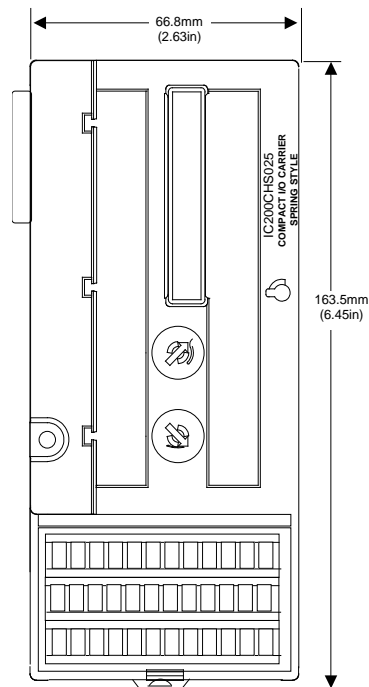
### Wiring Card Holder

The Compact I/O Carrier has a built-in card holder that hinges down over the terminal wiring. The wiring card provided with the I/O module can be inserted in the holder. During system operation, the card holder should be in the retracted position.

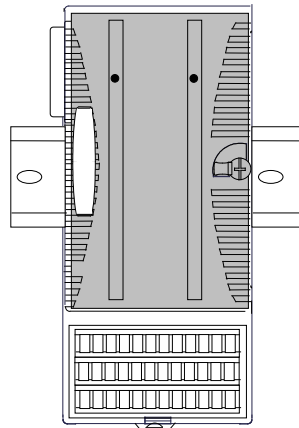


*IC200CHS025  
Compact Spring-Style I/O Carrier*

The Compact Spring-Style I/O Carrier (IC200CHS025) has 36 IEC spring-style terminals. It provides mounting, backplane communications, and field wiring for one I/O module.



The I/O module mounts vertically (perpendicular to the DIN rail) on this carrier.



## IC200CHS025 Compact Spring-Style I/O Carrier

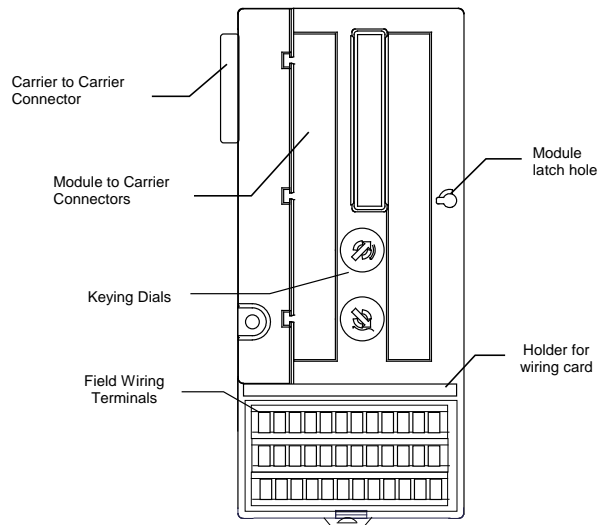
### Din Rail Mounting

The I/O carrier snaps easily onto a 7.5 mm x 35 mm DIN rail. The DIN rail must be electrically grounded to provide EMC protection. The rail must have a conductive (unpainted) corrosion-resistant finish.

For applications requiring maximum resistance to mechanical vibration and shock, the carrier must also be panel-mounted. Refer to chapter 2 for installation instructions.

### Features

- The Compact Spring-Style I/O carrier supports wiring for up to 32 I/O points and 4 common/power connections.
- Easily-set keying dials to assure installation of the correct type of module on the carrier. Keys are set to match the keying on the bottom of the module.
- Carrier-to-carrier mating connectors for quick installation of the backplane connection with no additional cables or tools needed.
- Module latch hole for securely fastening the module to the carrier.
- A printed wiring card provided with each I/O module can be folded and inserted in the built-in card holder.

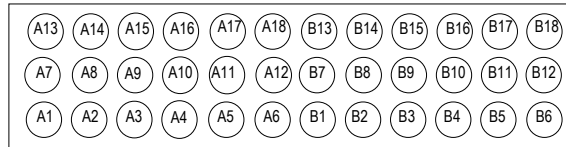




*IC200CHS025*  
*Compact Spring-Style I/O Carrier*

### *Field Wiring Terminals*

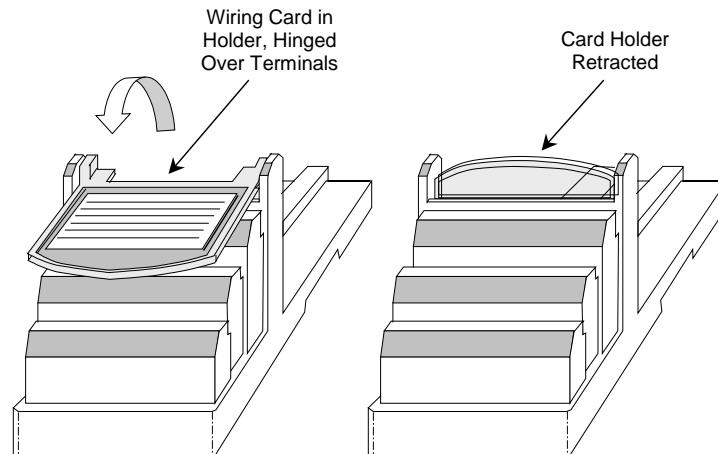
Each terminal accommodates one solid or stranded AWG #14 (avg. 2.1 mm<sup>2</sup> cross section) to AWG #22 (avg. 0.36 mm<sup>2</sup> cross section) wire, or two wires up to AWG #18 (avg. 0.86 mm<sup>2</sup> cross section).



The carrier accommodates current levels up to 2 A per point or 8 A per each power and ground, and a voltage range of up to 264 V AC. Voltage transients up to 300 V AC will not damage the carrier.

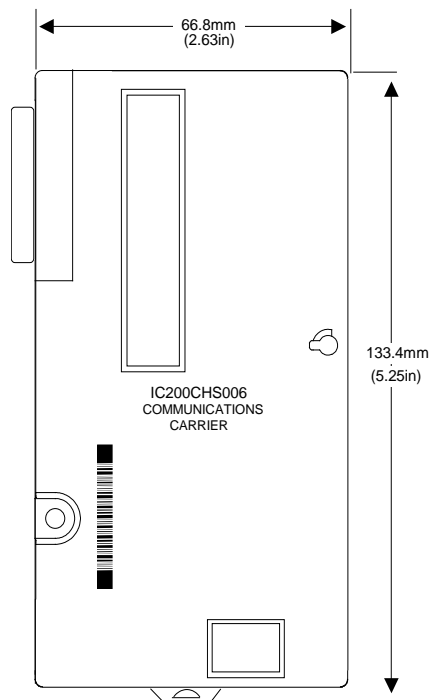
### *Wiring Card Holder*

The Compact I/O Carrier has a built-in card holder that hinges down over the terminal wiring. The wiring card provided with the I/O module can be inserted in the holder. During system operation, the card holder should be in the retracted position.



### *IC200CHS006 Communications Carrier*

The Communications Carrier (IC200CHS006) provides mounting and backplane communications and field wiring for a fieldbus communications module.



#### *Din Rail Mounting*

The carrier snaps easily onto a 7.5 mm x 35 mm DIN rail. The DIN rail must be electrically grounded to provide EMC protection. The rail must have a conductive (unpainted) corrosion-resistant finish. For applications requiring maximum resistance to mechanical vibration and shock, the carrier must also be panel-mounted. Refer to chapter 2 for installation instructions.

#### *Features*

- Compatible with all VersaMax fieldbus communications modules.
- Fast DIN-rail mounting.
- Can be located in any "slot".
- Module latch hole for securely fastening the module to the carrier.

### *IC200PNS001 and IC200PNS002 PROFINET Scanner Carriers*

The VersaMax PROFINET Scanner (PNS) module interfaces a remote node of VersaMax modules to a PROFINET IO-Controller. The PROFINET Scanner scans the modules in its node, retrieving input data and providing output data, and publishes input data on the PROFINET IO LAN at the configured production rate. The PNS manages PROFINET communication and module configuration between an IO-Controller and modules within the remote node. If network communications are lost, the PNS manages I/O states according to the individual module configurations.

The PNS is available in two versions:

IC200PNS001: Two 10/100 Mbps copper interfaces

IC200PNS002: Two 100Mbps Multi-Mode fiber (MMF) ports



## Features

- Supports redundant power supplies. Use of the second power supply is optional.
- Supports “hot swap” of a redundant power supply that is de-energized.
- Standard PROFINET alarm and diagnostics reporting.
- Supports configuration using Classless InterDomain Routing (CIDR) with subnetting and supernetting.
- Each network interface module can be connected into a daisy-chain/line, star, or ring (redundant media) topology.
- Supports Media Redundancy Protocol (MRP) client mode operation.
- Can be upgraded in the field; supports firmware updates through USB port.

**Note:** The USB port is for firmware upgrades only. It is not intended for permanent connection.

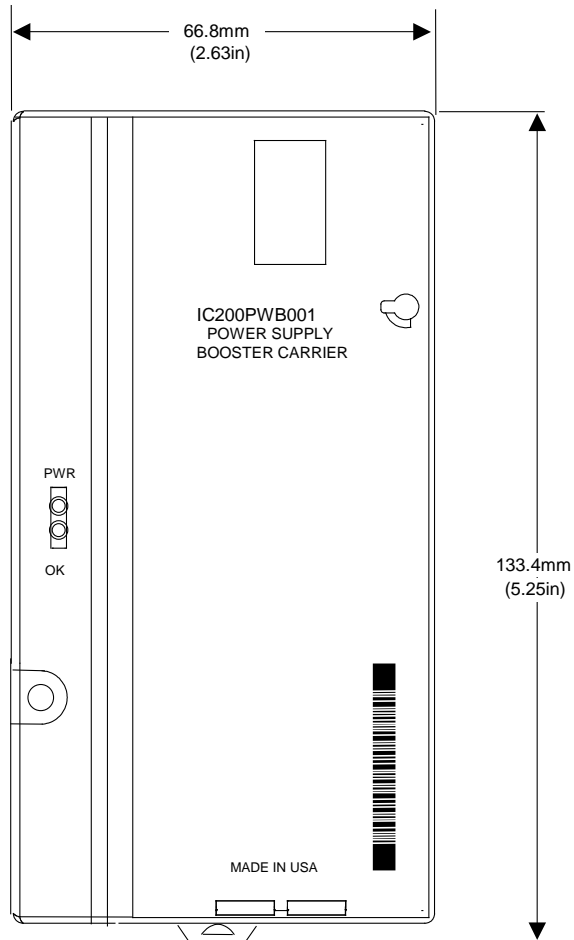
The PNS module’s main Remote IO functions include:

- Scanning all the modules within its stick (input and output scan).
- Publishing data onto the PROFINET network to an IO-Controller at a customer-specified production period.
- Receive data from an IO-Controller on the PROFINET network at a customer-specified production period.
- Managing PROFINET communication and module configuration between an IO-Controller and modules within the PNS node.
- Managing the state of the I/O when communications is lost
- Publishing fault information (such as alarms and diagnostics) to IO-Controller

For additional information, refer to GFK-2721, *VersaMax PROFINET Scanner Manual*.

**IC200PWB001**  
**Power Supply Booster Carrier**

Power Supply Booster Carrier IC200PWB001 can be used to mount an additional power supply in sequence with other module carriers. A power supply mounted on a booster carrier provides power to all I/O modules to its right, or until the next booster power supply. The AC or DC Power Supply on the CPU or NIU and the Power Supply that resides on the Booster Carrier must share the same external power source.



*IC200PWB001*  
*Power Supply Booster Carrier*

### *LED Indicators*

Two LEDs on the Power Supply Booster Carrier indicate its status:

- |     |  |
|-----|--|
| PWR | indicates that the attached booster power supply is functioning properly                 |
| OK  | indicates that the CPU or NIU and attached booster power supply are functioning properly |

### *Din Rail Mounting*

The Power Supply Booster Carrier snaps easily onto a 7.5 mm x 35 mm DIN rail. The DIN rail must be electrically grounded to provide EMC protection. The rail must have a conductive (unpainted) corrosion-resistant finish.

For applications requiring maximum resistance to mechanical vibration and shock, the carrier must also be panel-mounted. Refer to chapter 2 for installation instructions.

*Chapter*  
**5**

## ***Interposing Terminals and Auxiliary I/O Terminal Strips***

---

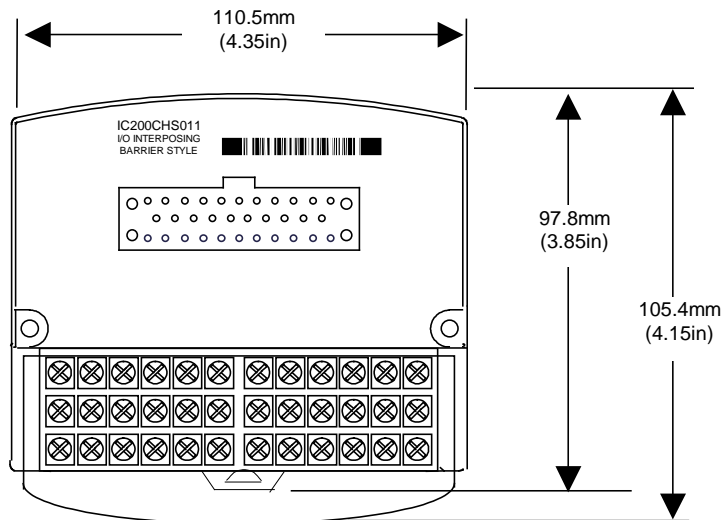
---

This chapter describes the Interposing I/O Terminals and Auxiliary I/O Terminal Strips that provide field wiring connections for I/O modules.

- IC200CHS011 Barrier-Style Interposing I/O Terminals
- IC200CHS012 Box-Style Interposing I/O Terminals
- IC200CHS014 Thermocouple-Style Interposing I/O Terminals
- IC200CHS015 Spring-Style Interposing I/O Terminals
- IC200CHS101 Disconnect-Style Interposing I/O Terminals, Main Base
- IC200CHS102 Disconnect-Style Interposing I/O Terminals, Expansion Base
- IC200CHS111 Relay-Style Interposing I/O Terminals, Main Base
- IC200CHS121 Fuse-Style Interposing I/O Terminals, Main Base
- IC200CHS112 Relay-Style Interposing I/O Terminals, Expansion Base
- IC200CHS122 Fuse-Style Interposing I/O Terminals, Expansion Base
- IC200TBM001 Barrier-Style Auxiliary I/O Terminal Strip
- IC200TBM002 Box-Style Auxiliary I/O Terminal Strip
- IC200TBM005 Spring-Style Auxiliary I/O Terminal Strip

### IC200CHS011 Barrier-Style Interposing I/O Terminals

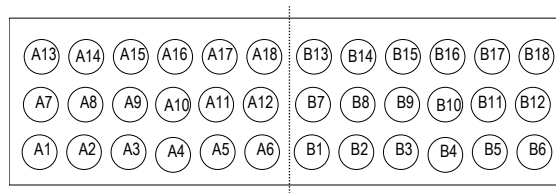
The Barrier-Style Interposing I/O Terminals (IC200CHS011) provide interface to a Connector-Style I/O Carrier to field wiring. The unit has a connector for attaching a cable from the Connector-Style I/O Carrier and 36 barrier-style terminals.



A clear protective hinged door covers the wiring terminals. The board provided with each I/O module can be folded and inserted in this door.

#### Field Wiring Terminals

Each terminal accommodates one or two solid or stranded wires from AWG #22 (avg. 0.36 mm<sup>2</sup> cross section) to AWG #14 (avg. 2.1 mm<sup>2</sup> cross section).





---

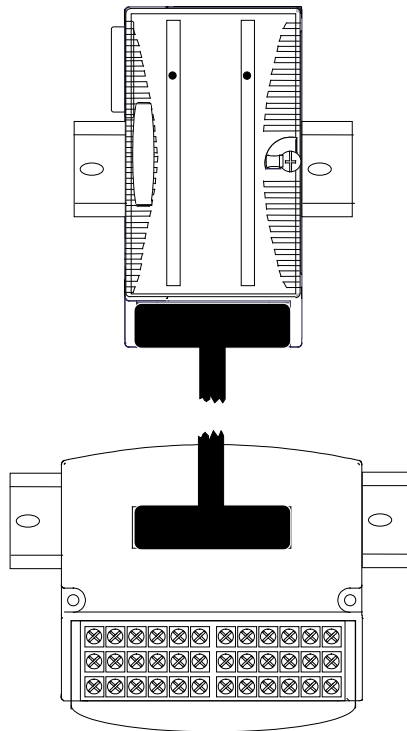
*IC200CHS011*  
**Barrier-Style Interposing I/O Terminals**

The carrier accommodates current levels up to 2 A per point or 8 A per each power and ground, and a voltage range of up to 264 V AC. Voltage transients up to 300 V AC will not damage the carrier.

One or more Auxiliary I/O Terminal Strips can be added to provide extra field wiring connections if needed. Auxiliary I/O Terminal Strips insert directly into the lower edge of the I/O Carrier.

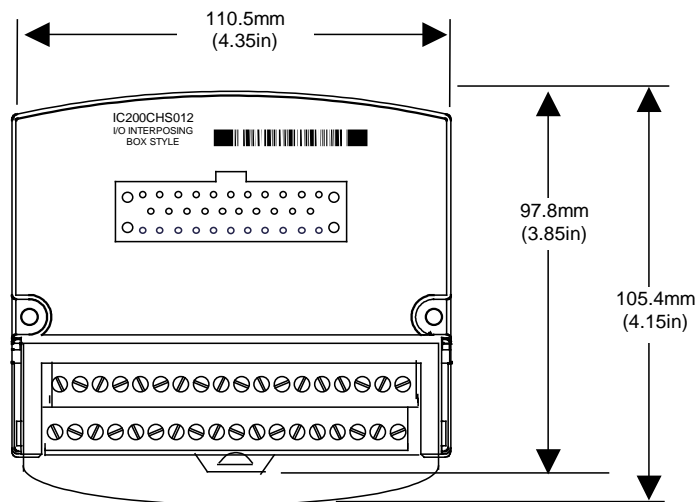
### ***Din Rail Mounting***

The Interposing I/O Terminals unit can be mounted on the same DIN rail as the Connector-Style I/O Carrier, or on a separate DIN rail as illustrated in the following figure. For applications requiring maximum resistance to mechanical vibration and shock, the Interposing I/O Terminals must also be panel-mounted. *Refer to chapter 2 for installation instructions.*



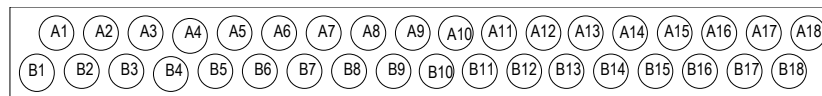
### IC200CHS012 Box-Style Interposing I/O Terminals

The Box-Style Interposing I/O Terminals (IC200CHS012) provide interface to a Connector-Style I/O Carrier to field wiring. The unit has a connector for attaching a cable from the Connector-Style I/O Carrier and 36 box-style terminals. A clear protective hinged door covers the wiring terminals. The board provided with each I/O module can be folded and inserted in this door.



#### Field Wiring Terminals

Each terminal accommodates one solid or stranded AWG #14 (avg. 2.1 mm<sup>2</sup> cross section) to AWG #22 (avg. 0.36 mm<sup>2</sup> cross section) wire, or two wires up to AWG #18 (avg. 0.86 mm<sup>2</sup> cross section).



The carrier accommodates current levels up to 2 Amps per point or 8 A per each power and ground, and a voltage range of up to 264 V AC. Voltage transients up to 300 V AC will not damage the carrier.

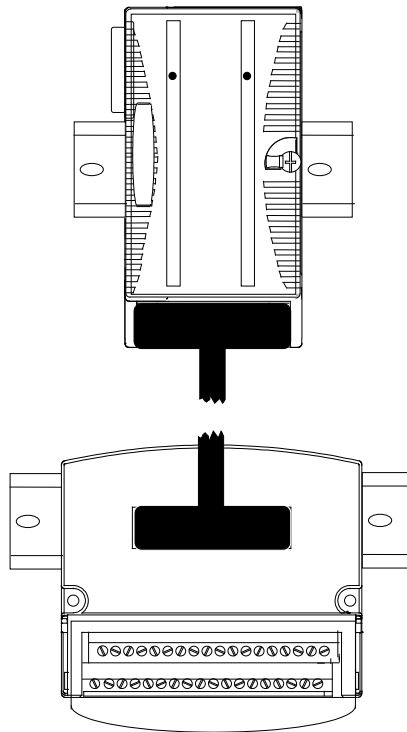
One or more Auxiliary I/O Terminal Strips can be added to provide extra field wiring connections if needed. Auxiliary I/O Terminal Strips insert directly into the lower edge of the I/O Carrier.

---

*IC200CHS012*  
*Box-Style Interposing I/O Terminals*

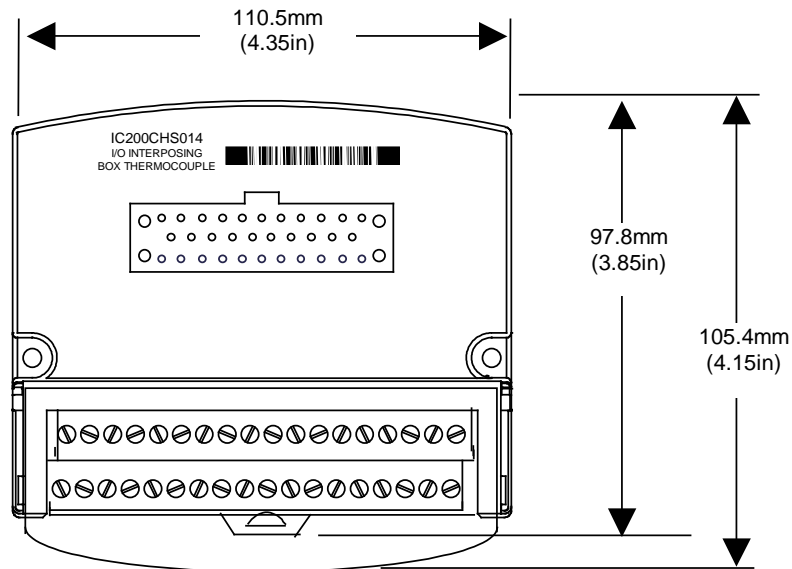
### *Din Rail Mounting*

The Interposing I/O Terminals unit can be mounted on the same DIN rail as the Connector-Style I/O Carrier, or on a separate DIN rail as illustrated in the following figure. For applications requiring maximum resistance to mechanical vibration and shock, the Interposing I/O Terminals unit must also be panel-mounted. Refer to *chapter 2* for installation instructions.



### IC200CHS014 Thermocouple Compensation Box-Style Interposing I/O Terminals

The Thermocouple Compensation Box-Style Interposing I/O Terminals (IC200CHS014) provide interface to a Connector-Style I/O Carrier to field wiring from thermocouples. The unit has a connector for attaching a cable from the Connector-Style I/O Carrier and 36 box-style terminals. It includes a built-in thermistor that provides Local Cold Junction Compensation for thermocouple input measurements.



Each terminal accommodates one solid or stranded AWG #14 (avg. 2.1 mm<sup>2</sup> cross section) to AWG #22 (avg. 0.36 mm<sup>2</sup> cross section) wire, or two wires up to AWG #18 (avg. 0.86 mm<sup>2</sup> cross section). A clear protective hinged door covers the wiring terminals. The board provided with each I/O module can be folded and inserted in this door.

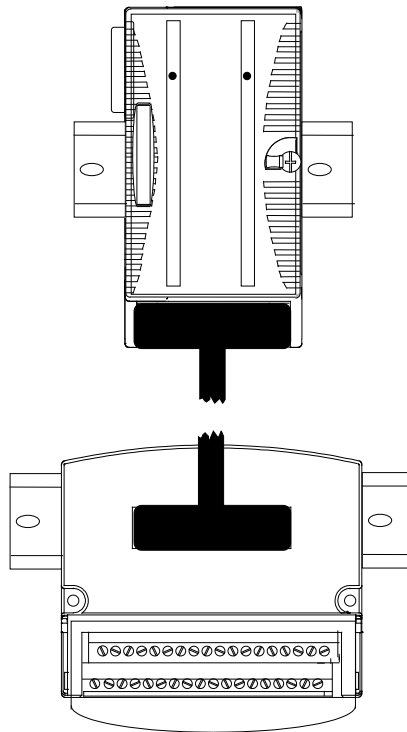
---

*IC200CHS014*

*Thermocouple Compensation Box-Style Interposing I/O Terminals*

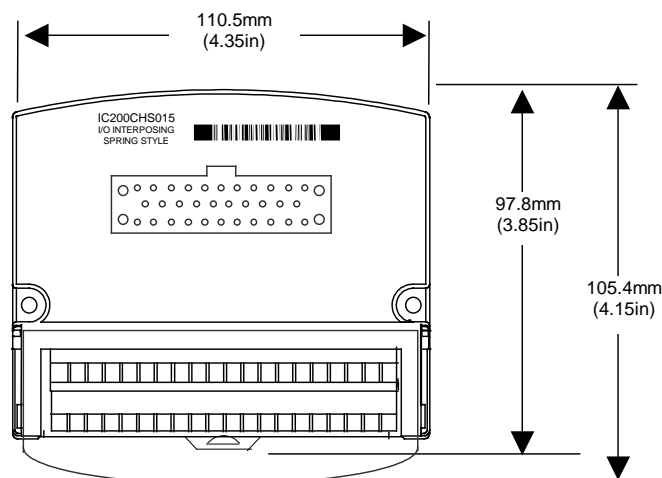
*Din Rail Mounting*

The Interposing I/O Terminals unit can be mounted on the same DIN rail as the Connector-Style I/O Carrier, or on a separate DIN rail as illustrated in the following figure. For applications requiring maximum resistance to mechanical vibration and shock, the Interposing I/O Terminals unit must also be panel-mounted. Refer to chapter 2 for installation instructions.



### IC200CHS015 Spring-Style Interposing I/O Terminals

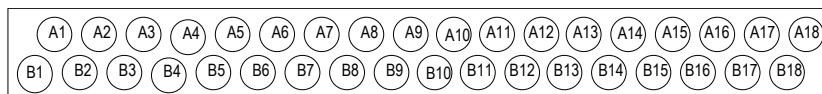
The Spring-Style Interposing I/O Terminals (IC200CHS015) provide interface to a Connector-Style I/O Carrier to field wiring. It has a connector for attaching a cable from the Connector-Style I/O Carrier and 36 spring-clamp style terminals. A clear protective hinged door covers the wiring terminals. The board provided with each I/O module can be folded and inserted in this door.



One or more Auxiliary I/O Terminal Strips can be added to provide extra field wiring connections if needed. Auxiliary I/O Terminal Strips insert directly into the lower edge of the I/O Carrier.

#### Field Wiring Terminals

Each terminal accommodates one solid or stranded AWG #14 (avg. 2.1 mm<sup>2</sup> cross section) to AWG #22 (avg. 0.36 mm<sup>2</sup> cross section) wire, or two wires up to AWG #18 (avg. 0.86 mm<sup>2</sup> cross section).



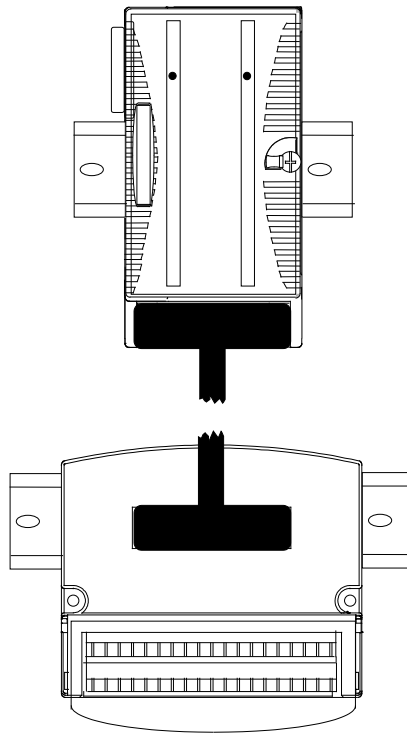
The carrier accommodates current levels up to 2 A per point or 8 A per each power and ground, and a voltage range of up to 264 V AC. Voltage transients up to 300 V AC will not damage the carrier.

---

*IC200CHS015*  
*Spring-Style Interposing I/O Terminals*

### *Din Rail Mounting*

The Interposing I/O Terminals can be mounted on the same DIN rail as the Connector-Style I/O Carrier, or on a separate DIN rail as illustrated in the following figure. For applications requiring maximum resistance to mechanical vibration and shock, the Interposing I/O Terminals must also be panel-mounted. Refer to chapter 2 for installation instructions.

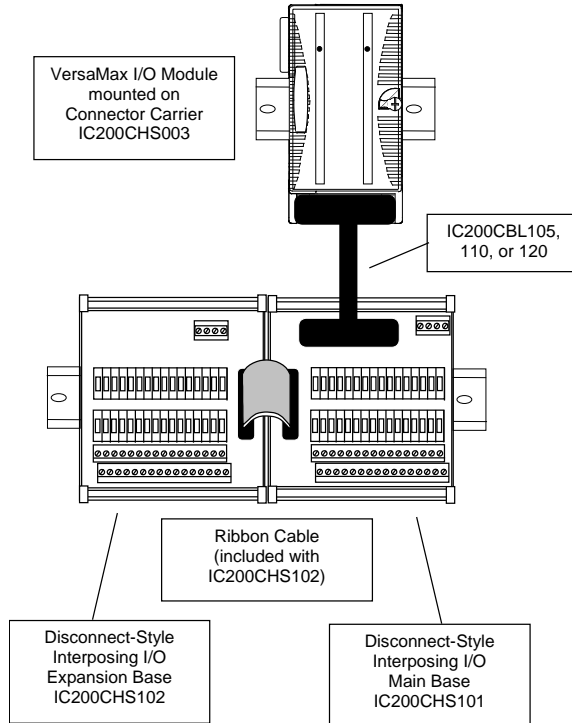


*IC200CHS101, Main Base*  
*IC200CHS102, Expansion Base*  
*Disconnect-Style Interposing I/O Terminals*

The Disconnect-Style Interposing I/O Terminals (IC200CHS101 and IC200CHS102) provide interface to a VersaMax Connector-Style I/O Carrier to field wiring and provide an integrated disconnect option for field devices connected to VersaMax I/O module. Each device connected to the VersaMax I/O module may be individually disconnected from the control circuit by opening one of the two switches (signal or return) associated with it. In this way, specific inputs or outputs may be taken offline without altering system wiring or affecting the balance of the installation.

*Main and Expansion Base*

Two different versions of the Disconnect-Style Interposing I/O Terminals are available, the main and expansion bases. The Main Base, IC200CHS101, provides terminals that correspond to the "A" terminals on a VersaMax I/O module. If the I/O module also has "B" terminals, an Expansion Base, (IC200CHS102) is also needed.

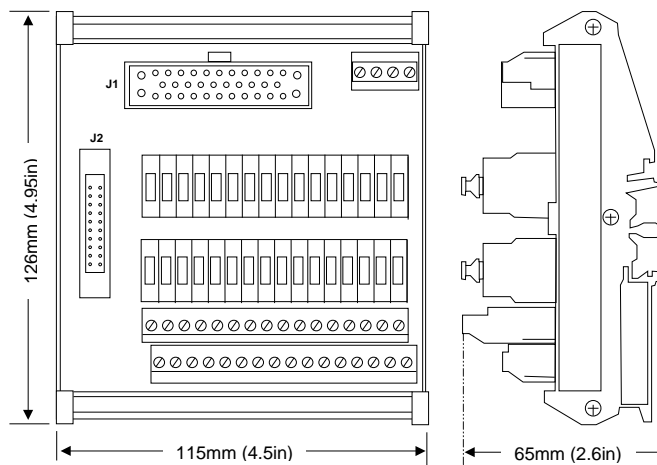




*Main Base, IC200CHS101  
Expansion Base, IC200CHS102  
Disconnect-Style Interposing I/O Terminals*

**Main Base – IC200CHS101**

This Interposing Disconnect Base has a connector (J1) for attaching a cable from the Connector-Style I/O Carrier and 36 box-style terminals for field I/O wiring and power connections. The I/O Interposing Disconnect Base also has an expansion connector (J2) that can be used to attach to an Interposing Disconnect Expansion Base (IC200CHS102).



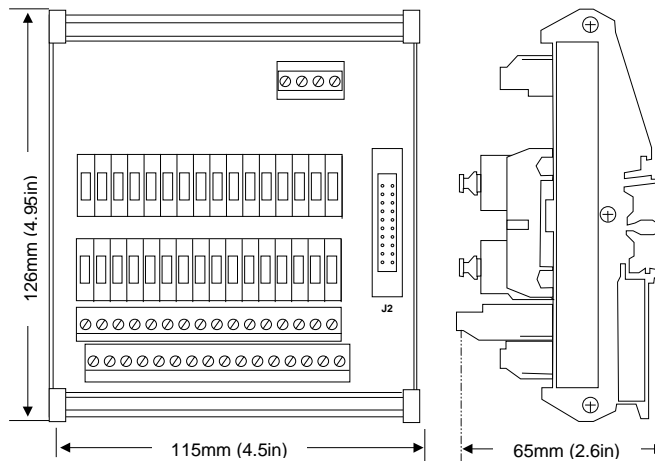
This base provides connection for the terminals on the “A” side of the VersaMax connector (A1-A18). Two groups of common terminals (W1-W8 and X1-X8) can be used for connecting two-wire devices without additional auxiliary terminal blocks.

The base has an individual knife-switch disconnect for each signal and common terminal and its corresponding pin on the VersaMax cable connector.

*IC200CHS101, Main Base*  
*IC200CHS102, Expansion Base*  
*Disconnect-Style Interposing I/O Terminals*

**Expansion Base – IC200CHS102**

The Interposing Disconnect Expansion Base has a connector (J2) for attaching a ribbon cable to the expansion connector of the Main Base (IC200CHS101) and 36 box-style terminals for field I/O wiring and power connections. The Expansion base includes a ribbon cable for connecting the expansion base to the main base.



The Expansion Base provides connection for terminals on the “B” side of the VersaMax connector (B1-B18). In addition, it has two groups of common terminals (Y1-Y8 and Z1-Z8) for connecting two-wire devices without additional auxiliary terminal blocks.

The base has an individual knife-switch disconnect for each signal and common terminal and its corresponding pin on the VersaMax cable connector.

*Main Base, IC200CHS101  
Expansion Base, IC200CHS102  
Disconnect-Style Interposing I/O Terminals*

### Compatible I/O Modules

The following table provides a guideline for selecting the appropriate bases and wiring formats for VersaMax I/O modules. Modules that are incompatible with these Interposing Disconnect Bases are indicated by italics in the table.

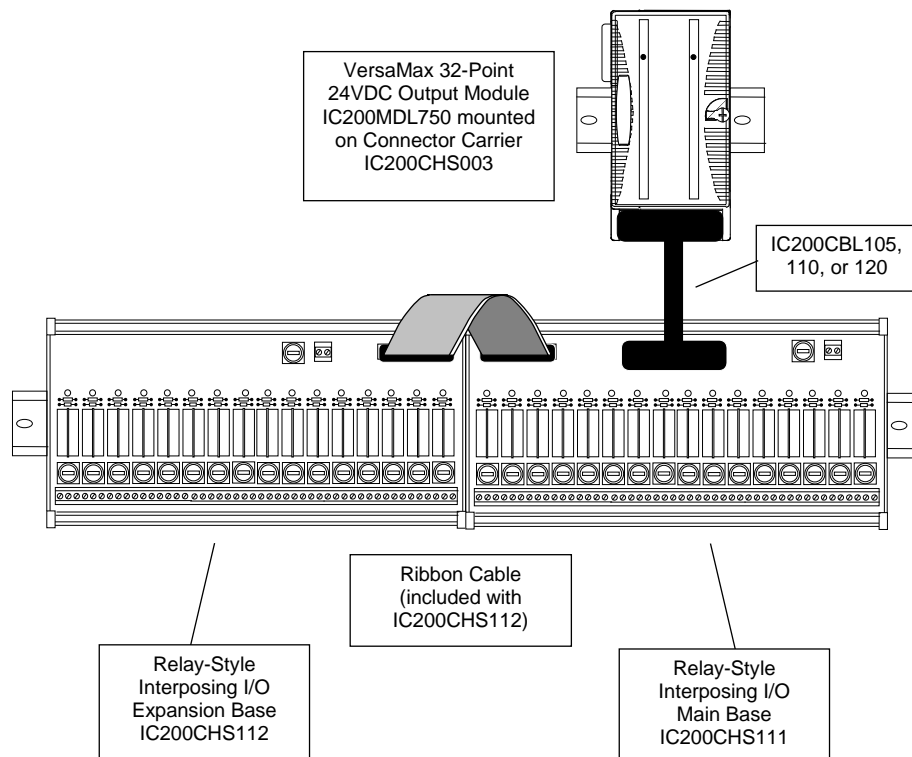
	<b>1 Group /Row</b>	<b>2 Groups /Row</b>	<b>Not Grouped</b>	<b>CHS101</b>	<b>CHS102</b>	<b>Notes</b>
<b>Discrete Inputs</b>						
IC200MDL140		X*		X		Variation of the one-group per row format - return groups W & X should be jumpered to terminal A17.
IC200MDL141		X*		X		
IC200MDL143			X	X		
IC200MDL144	<i>Module not compatible with VersaMax Connector Base</i>					
IC200MDL240		X*		X	X	Variation of the one-group per row format - return groups W & X should be jumpered to terminal A17.
IC200MDL241		X*		X	X	
IC200MDL243			X	X	X	
IC200MDL244	<i>Module not compatible with VersaMax Connector Base</i>					
IC200MDL631			X	X		
IC200MDL632			X	X	X	
IC200MDL635		X		X		
IC200MDL636		X		X	X	
IC200MDL640		X		X		
IC200MDL643		X		X		
IC200MDL644		X		X	X	
IC200MDL650		X		X	X	
<b>Discrete Outputs</b>						
IC200MDL329			X	X		
IC200MDL330			X	X	X	
IC200MDL331						No direct connectivity to B row
IC200MDL730						
IC200MDL740	X			X		
IC200MDL741	X			X		
IC200MDL742	X			X	X	
IC200MDL743	X			X		
IC200MDL744	X			X	X	
IC200MDL750	X			X	X	
IC200MDL930			X	X		
IC200MDL940			X	X	X	
<b>Discrete Mixed</b>						
IC200MDD840	<i>Non-symmetric distribution of inputs &amp; outputs</i>					
IC200MDD842	X	X		X	X	1 Group/Row, Outputs, 2 Groups/Row, Inputs
IC200MDD843	<i>Non-symmetric distribution of inputs &amp; outputs</i>					
IC200MDD844	X	X		X	X	1 Group/Row for Outputs, 2 Groups/Row for Inputs
IC200MDD845		X	X	X	X	
IC200MDD846		X*	X	X	X	Not Grouped for Outputs, 1 Group/Row for Inputs. Variation of the one-group per row format - return groups W & X should be jumpered to terminal A17.
IC200MDD847		X*	X	X	X	
IC200MDD848		X*	X	X	X	
IC200MDD849			X	X	X	
IC200MDD850	<i>Module not compatible with VersaMax Connector Base</i>					
IC200MDD851	X	X		X	X	1 Group/Row, Outputs. 2 Groups/Row, Inputs
<b>High Speed Counter</b>						
IC200MDD841	<i>Non-symmetric distribution of inputs &amp; outputs</i>					

*IC200CHS111, Main Base  
 IC200CHS112, Expansion Base  
 Relay-Style Interposing I/O Terminals*

The Relay-Style Interposing I/O Terminals (IC200CHS111 and IC200CHS112) each provide dry contacts capable of switching high current outputs (up to 8A). The relays on these interposing terminals are intended to be controlled with standard 24 V DC 0.5A VersaMax output modules (IC200MDL740 and IC200MDL750). Each relay is replaceable, individually fused, and includes status indication.

**Main and Expansion Base**

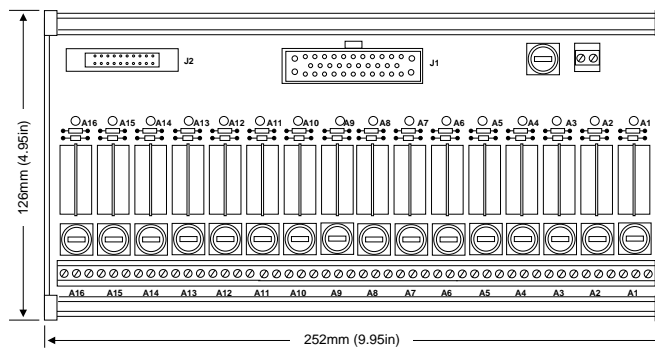
Two different versions of the Relay-Style Interposing I/O Terminals are available, the main and expansion bases. The Main Base, IC200CHS111, is for use with the 16 point VersaMax module (IC200MDL740) or points 1-16 of the 32 point VersaMax module (IC200MDL750). The Expansion Base, IC200CHS112, is for use with points 17-32 of the 32 point VersaMax module (IC200MDL750).



*Main Base, IC200CHS111*  
*Expansion Base, IC200CHS112*  
*Relay-Style Interposing I/O Terminals*

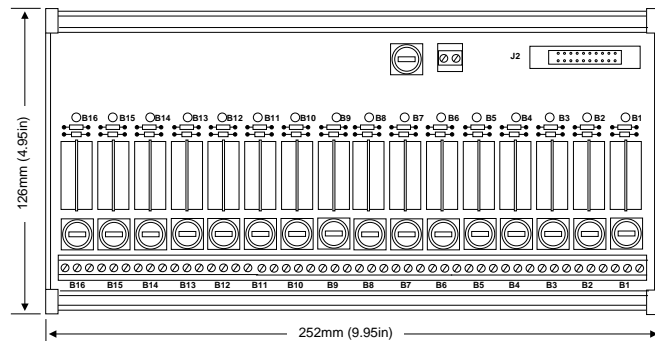
### Main Base – IC200CHS111

The Interposing Relay Base has a connector (J1) for attaching a cable from the Connector-Style I/O Carrier (IC200CHS003) and 50 box-style terminals for field I/O wiring and power connections. The Interposing Relay Base also has an expansion connector (J2) that can be used to attach to an Interposing Relay Expansion Base (IC200CHS112).



### Expansion Base – IC200CHS112

The Interposing Relay Expansion Base has a connector (J2) for attaching a ribbon cable to the expansion connector of the Main Base (IC200CHS111) and 50 box-style terminals for field I/O wiring and power connections. The Expansion base includes a ribbon cable for connecting the expansion base to the main base.

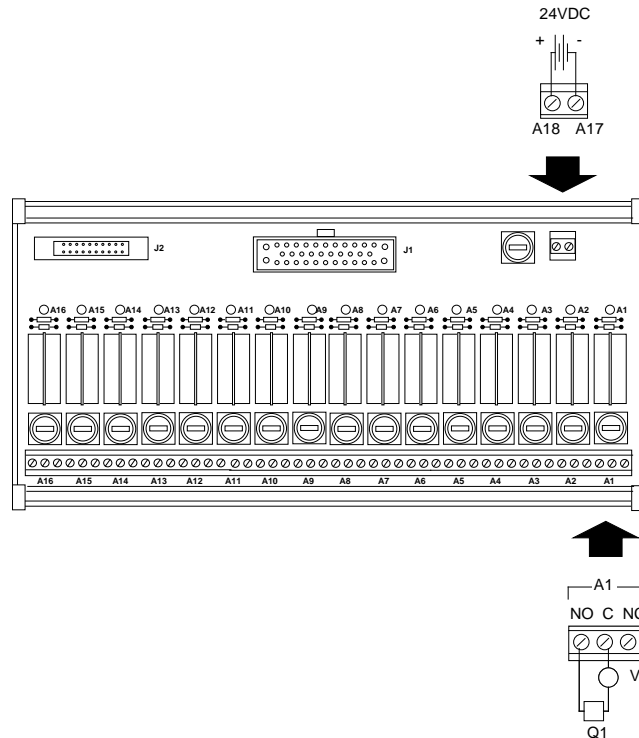


*IC200CHS111, Main Base*  
*IC200CHS112, Expansion Base*  
*Relay-Style Interposing I/O Terminals*

*Field Wiring*

Power for operation of the relay coils must be provided by an external 24V DC power supply. This power must be provided to both the main base and the expansion base. Connection of this external power supply is made at the terminals A17 & A18 (B17 & B18 for the expansion base). This power connection is for the relay coils only. **User loads must be powered by an external source.**

Each relay, status LED and fuse is labeled to indicate the specific point on the VersaMax output module they are associated with. Components labeled A1-A16 correspond to points Q1-Q16. Components labeled B1-B16 correspond to points Q17-Q32. Each point is associated with 3 terminal connections, labeled NO (Normally Open), C (Common), and NC (Normally Closed). User loads may be connected between C and NO, C and NC, or both.



*Main Base, IC200CHS111  
Expansion Base, IC200CHS112  
Relay-Style Interposing I/O Terminals*

### Relay Specifications

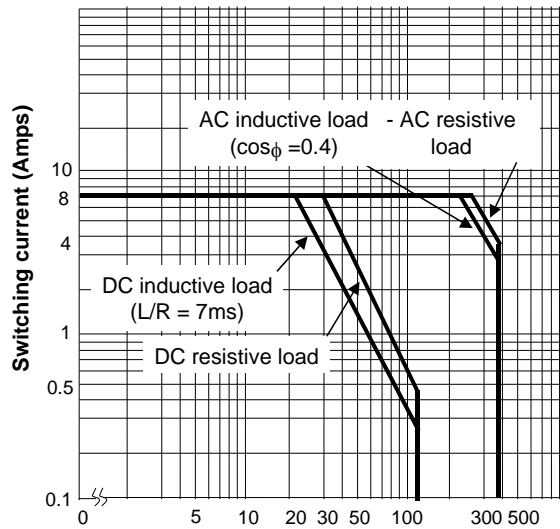
The field-replaceable, form-C relay used in IC200CHS111 and IC200CHS112 is manufactured by Omron Electronics (part number G2R-14). The relay has the following specifications:

Contact Ratings		
Number of Poles	1 Pole	
Load	Resistive Load ( $\cos\Phi = 1$ )	Inductive Load ( $\cos\Phi = 0.4$ , L/R = 7ms)
Rated Load	8A at 250V AC 8A at 30V DC	6A at 250V AC 4A at 30V DC
Rated Carry Current	8A	
Max Switching Voltage	380V AC, 125V DC	
Max Switching Current	8A	
Max Switching Power	2,000VA, 240W	1,500VA, 120W
Min Permissible Load	100mA at 5V DC	

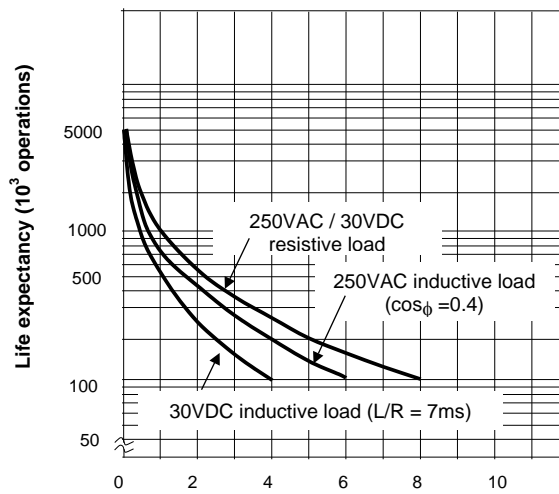
Characteristics	
Contact Resistance	30 m $\Omega$ max
Operate (set) Time	15 ms max
Release (reset) Time	AC: 10 ms max; DC: 5ms max
Max Operating Frequency	Mechanical: 18,000 operations/hr Electrical: 1,800 operations/hr (under rated load)
Insulation Resistance	1,000 M $\Omega$ min (at 500V DC)
Dielectric Strength	5,000 V AC, 50/60 Hz for 1 min between coil and contact 1,000 V AC, 50/60 Hz for 1 min between contacts of the same polarity
Vibration Resistance	Destruction: 10 to 55Hz, 1.5mm double amplitude Malfunction: 10 to 55Hz, 1.5mm double amplitude
Shock Resistance	Destruction: 1,000 m/s <sup>2</sup> Malfunction: 200 m/s <sup>2</sup> when energized; 100 m/s <sup>2</sup> when not energized
Life Expectancy	Mechanical: 20,000,000 operations min (at 18,000 ops/hour) Electrical: 100,000 operations min (at 1,800 ops/hr under rated load)
Ambient Temperature	Operating: -40°C to 70°C (with no icing) Storage: -40°C to 70°C (with no icing)
Ambient Humidity	Operating: 35% to 85% Storage: 35% to 85%

**IC200CHS111, Main Base**  
**IC200CHS112, Expansion Base**  
**Relay-Style Interposing I/O Terminals**

**Switching Current**



**Life Expectancy**



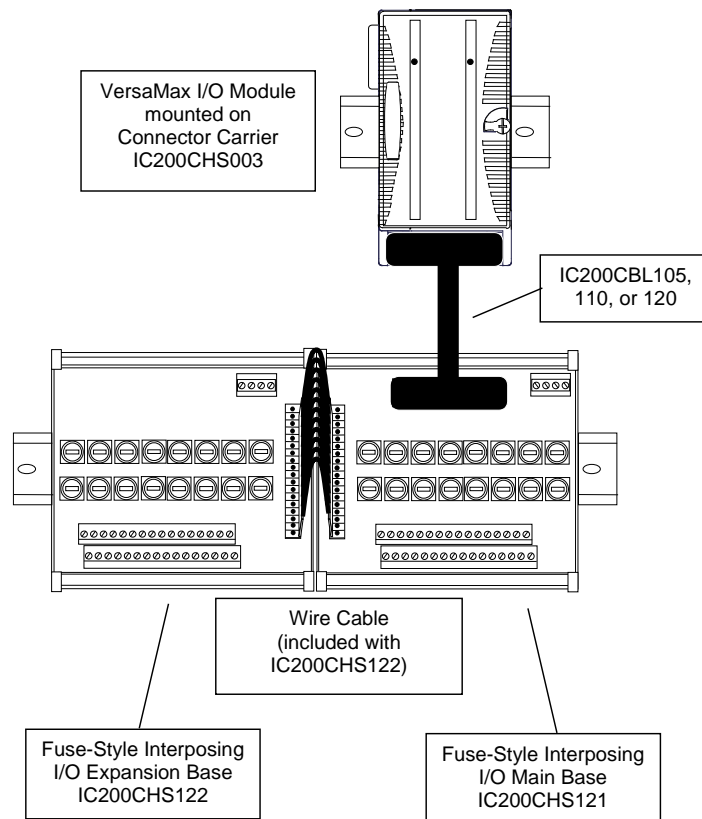


*IC200CHS121, Main Base  
IC200CHS122, Expansion Base  
Fuse-Style Interposing I/O Terminals*

The Fuse-Style Interposing I/O Terminals (IC200CHS121 and IC200CHS122) provide interface to a Connector-Style I/O Carrier to field wiring and provide an integrated fuse solution for field devices connected to VersaMax I/O modules.

### *Main and Expansion Base*

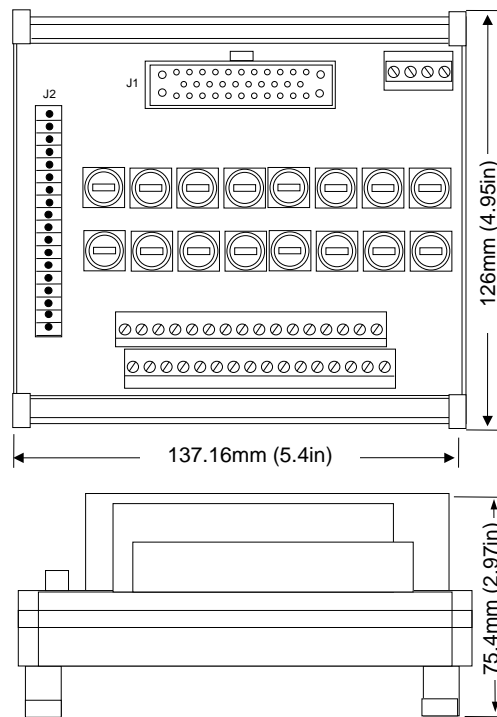
Two different versions of the Fuse-Style Interposing I/O Terminals are available, the main and expansion bases. The Main Base, IC200CHS121, provides terminals that correspond to the "A" terminals on a VersaMax I/O module. If the I/O module also has "B" terminals, an Expansion Base (IC200CHS122), is also needed.



**Main Base, IC200CHS121**  
**Expansion Base, IC200CHS122**  
**Fuse-Style Interposing I/O Terminals**

**Main Base – IC200CHS121**

This interposing base has a connector (J1) for attaching a cable from the Connector-Style I/O Carrier and 36 box-style terminals for field I/O wiring and power connections.



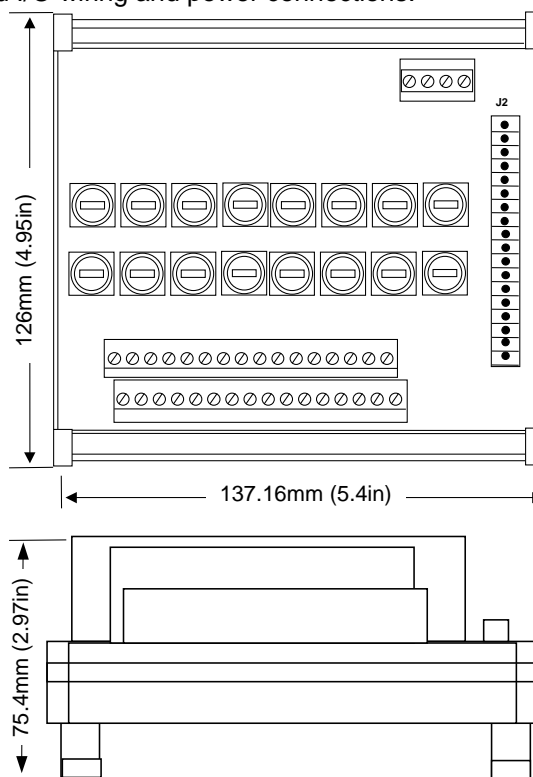
This base provides connection for the terminals on the “A” side of the VersaMax connector (A1-A18). Two groups of common terminals (W1-W8 and X1-X8) can be used for connecting two-wire devices without additional auxiliary terminal blocks.

Individual fuses (0.5 A) exist between each terminal A1-A16 and its corresponding pin on the VersaMax cable connector. This base also provides an expansion connector (J2) to attach to the Interposing Fuse Expansion Base (IC200CHS122).

*IC200CHS121, Main Base  
IC200CHS122, Expansion Base  
Fuse-Style Interposing I/O Terminals*

**Expansion Base – IC200CHS122**

This interposing base has a connector (J2) for attaching to the expansion connector of the Main Base (IC200CHS121) and provides 36 box-style terminals for field I/O wiring and power connections.



The Expansion Base provides connection for terminals on the “B” side of the VersaMax connector (B1-B18). In addition, it has two groups of common terminals (Y1-Y8 and Z1-Z8) for connecting two-wire devices without additional auxiliary terminal blocks. Individual fuses (0.5 A) exist between each terminal B1-B16 and its corresponding pin on the VersaMax cable connector. The Expansion base includes the cable required to connect to the main base.

**Main Base, IC200CHS121**  
**Expansion Base, IC200CHS122**  
**Fuse-Style Interposing I/O Terminals**

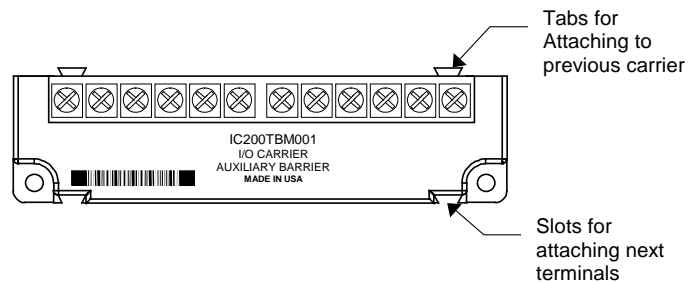
### Compatible I/O Modules

The following table provides a guideline for selecting the appropriate bases and wiring formats for VersaMax I/O modules. Modules that are incompatible with these Interposing Fuse-Style Bases are indicated by italics in the following table.

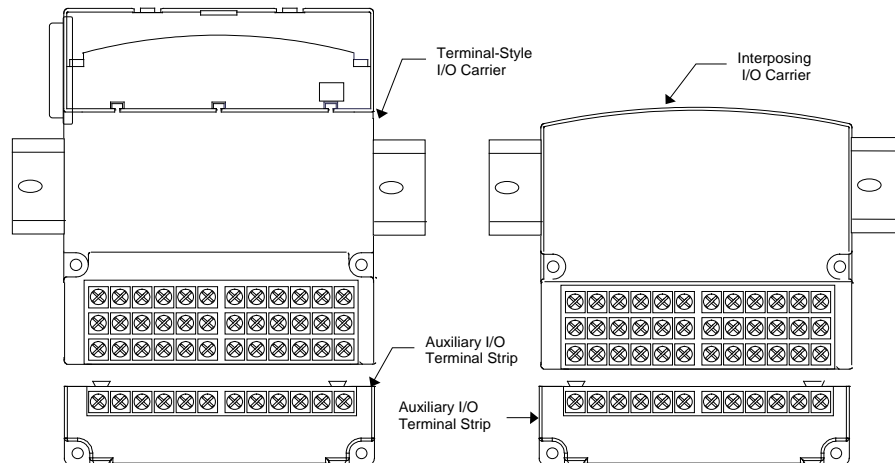
	1 Group /Row	2 Groups /Row	Not Grouped	CHS121	CHS122	Notes
<b>Discrete Inputs</b>						
IC200MDL140		X*		X		Variation of the one-group per row format - return groups W & X should be jumpered to terminal A17.
IC200MDL141		X*		X		
IC200MDL143			X	X		
IC200MDL144	<i>Module not compatible with VersaMax Connector Base</i>					
IC200MDL240		X*		X	X	Variation of the one-group per row format - return groups W & X should be jumpered to terminal A17.
IC200MDL241		X*		X	X	
IC200MDL243			X	X	X	
IC200MDL244	<i>Module not compatible with VersaMax Connector Base</i>					
IC200MDL631			X	X		
IC200MDL632			X	X	X	
IC200MDL635		X		X		
IC200MDL636		X		X	X	
IC200MDL640		X		X		
IC200MDL643		X		X		
IC200MDL644		X		X	X	
IC200MDL650		X		X	X	
<b>Discrete Outputs</b>						
IC200MDL329			X	X		
IC200MDL330			X	X	X	
IC200MDL331						No direct connectivity to B row
IC200MDL730						
IC200MDL740	X			X		
IC200MDL741	X			X		
IC200MDL742	X			X	X	
IC200MDL743	X			X		
IC200MDL744	X			X	X	
IC200MDL750	X			X	X	
IC200MDL930			X	X		
IC200MDL940			X	X	X	
<b>Discrete Mixed</b>						
IC200MDD840	<i>Non-symmetric distribution of inputs &amp; outputs</i>					
IC200MDD842	X	X		X	X	1 Group/Row, Outputs, 2 Groups/Row, Inputs
IC200MDD843	<i>Non-symmetric distribution of inputs &amp; outputs</i>					
IC200MDD844	X	X		X	X	1 Group/Row for Outputs, 2 Groups/Row for Inputs
IC200MDD845		X	X	X	X	
IC200MDD846		X*	X	X	X	Not Grouped for Outputs, 1 Group/Row for Inputs. Variation of the one-group per row format - return groups W & X should be jumpered to terminal A17.
IC200MDD847		X*	X	X	X	
IC200MDD848		X*	X	X	X	
IC200MDD849			X	X	X	
IC200MDD850	<i>Module not compatible with VersaMax Connector Base</i>					
IC200MDD851	X	X		X	X	1 Group/Row, Outputs. 2 Groups/Row, Inputs
<b>High Speed Counter</b>						
IC200MDD841	<i>Non-symmetric distribution of inputs &amp; outputs</i>					

### IC200TBM001: Barrier-Style Auxiliary I/O Terminal Strip

The Barrier-Style Auxiliary I/O Terminal Strip (IC200TBM001) has two groups of 6 internally-bussed barrier-style wiring terminals. The two groups are isolated from each other. It can be used to provide extra field wiring connections for terminal-style I/O Carriers and Interposing I/O Terminals.



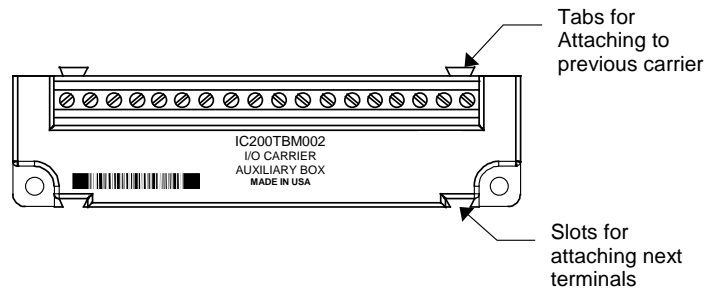
Mounting tabs on the upper edge of the Auxiliary I/O Terminal Strips insert in slots on the bottom of the I/O Carrier or Interposing I/O Terminals for fast, convenient installation. Additional Auxiliary I/O Terminal Strips can be connected in the same way. The Auxiliary I/O Terminal Strip also has panel-mount holes for added stability in high-vibration locations.



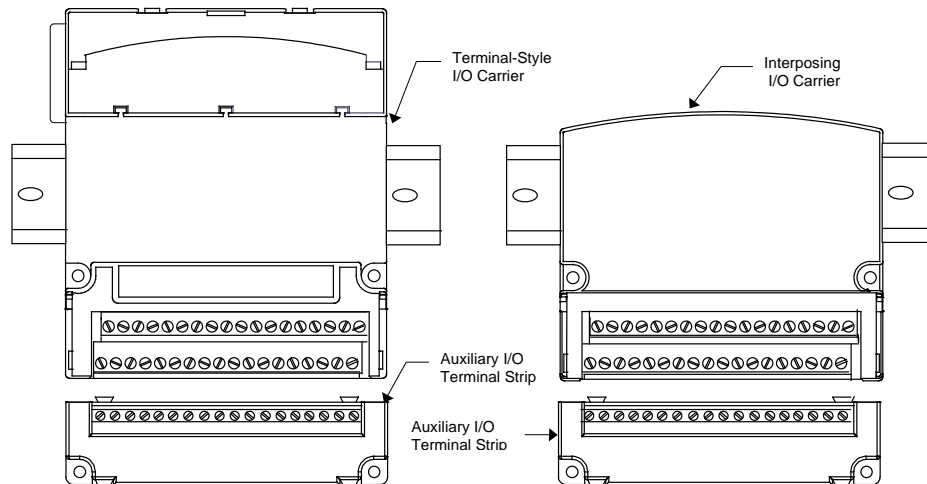
The Auxiliary I/O Terminal Strip can accommodate current levels up to 8 A and voltage up to 264 V AC. Voltage levels up to 300 V AC will not damage the unit. There is no electrical connection from the Terminal-Style I/O Carrier or Interposing I/O Terminals to the Auxiliary I/O Terminal Strip; any necessary electrical reference must be provided.

### IC200TBM002 Box-Style Auxiliary I/O Terminal Strip

The Box-Style Auxiliary I/O Terminal Strip (IC200TBM002) has 18 internally-bussed IEC box-style wiring terminals. It can be used to provide extra field wiring connections for terminal-style I/O Carriers and Interposing I/O Terminals.



Mounting tabs on the upper edge of the Auxiliary I/O Terminal Strips insert in slots on the bottom of the I/O Carrier or Interposing I/O Terminals for fast, convenient installation. Additional Auxiliary I/O Terminal Strips can be connected in the same way. The Auxiliary I/O Terminal Strip also has panel-mount holes for added stability in high-vibration locations.

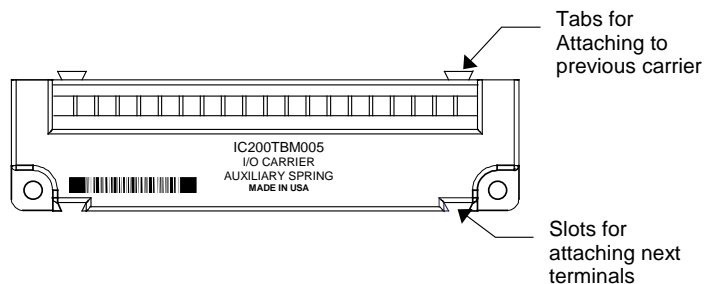


The Auxiliary I/O Terminal Strip can accommodate current levels up to 8 A and voltage up to 264 V AC. Voltage levels up to 300 V AC will not damage the unit.

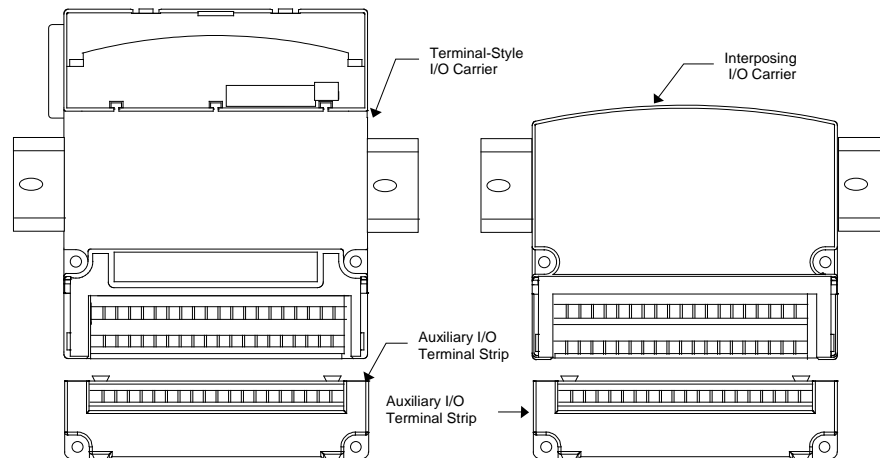
There is no electrical connection from the Terminal-Style I/O Carrier or Interposing I/O Terminals to the Auxiliary I/O Terminal Strip; any necessary electrical reference must be provided.

### IC200TBM005 Spring-Style Auxiliary I/O Terminal Strip

The Spring-Style Auxiliary I/O Terminal Strip (IC200TBM005) has 18 internally bussed spring-clamp style wiring terminals. It can be used to provide extra field wiring connections for terminal-style I/O Carriers and Interposing I/O Terminals.



Mounting tabs on the upper edge of the Auxiliary I/O Terminal Strips insert in slots on the bottom of the I/O Carrier or Interposing I/O Terminals for fast, convenient installation. Additional Auxiliary I/O Terminal Strips can be connected in the same way. The Auxiliary I/O Terminal Strip also has panel-mount holes for added stability in high-vibration locations.



The Auxiliary I/O Terminal Strip can accommodate current levels up to 8 A and voltage up to 264 V AC. Voltage levels up to 300 V AC will not damage the unit. There is no electrical connection from the Terminal-Style I/O Carrier or Interposing I/O Terminals to the Auxiliary I/O Terminal Strip; any necessary electrical reference must be provided.

Chapter  
**6**

## ***Expansion Modules***

---

---

This chapter describes the following VersaMax expansion modules.

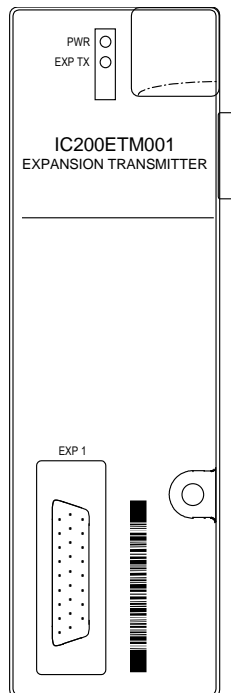
- IC200ETM001 Expansion Transmitter Module
- IC200ERM001 Expansion Receiver Module, Isolated
- IC200ERM002 Expansion Receiver Module, Non-isolated



### *IC200ETM001 Expansion Transmitter Module*

The Expansion Transmitter Module IC200ETM001 (ETM) is used to expand a VersaMax PLC or Network Interface Unit (NIU) I/O station to include up to seven additional “racks” of VersaMax modules. Each expansion rack can include up to eight I/O and specialty modules, including the fieldbus communications modules.

The Expansion Transmitter Module has a pass-through serial programming port that can be used to upload firmware updates to an adjacent NIU.



#### *Features*

- High-speed bus expansion interface
- Serial firmware update interface for updating firmware in adjacent NIUs
- Supports up to 7 expansion racks
- Two LEDs display module power status and expansion port status
- No DIP switches to set; easy software configuration into PLC system

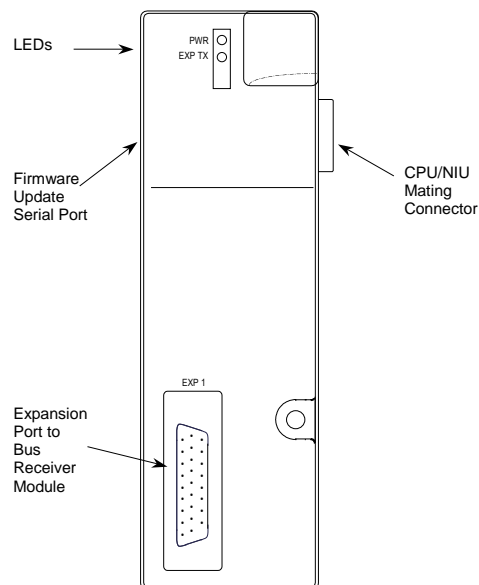
---

**IC200ETM001**  
**Expansion Transmitter Module**

### Connectors

The 26-pin female D-shell connector on the front of the Expansion Transmitter is the expansion port for connecting to an Expansion Receiver Module.

The 16-pin male connector on the upper left side of the Expansion Transmitter is the pass-through serial programming port. It can be used to upload firmware updates to an adjacent NIU.



### LED Indicators

The LEDs on the Expansion Transmitter display the status of power to the module and the status of the expansion port.

The PWR LED is ON when the module is receiving 5 V DC power from the CPU or NIU. It is OFF when the module is detached from the CPU/NIU or when the CPU/NIU itself is not receiving power.

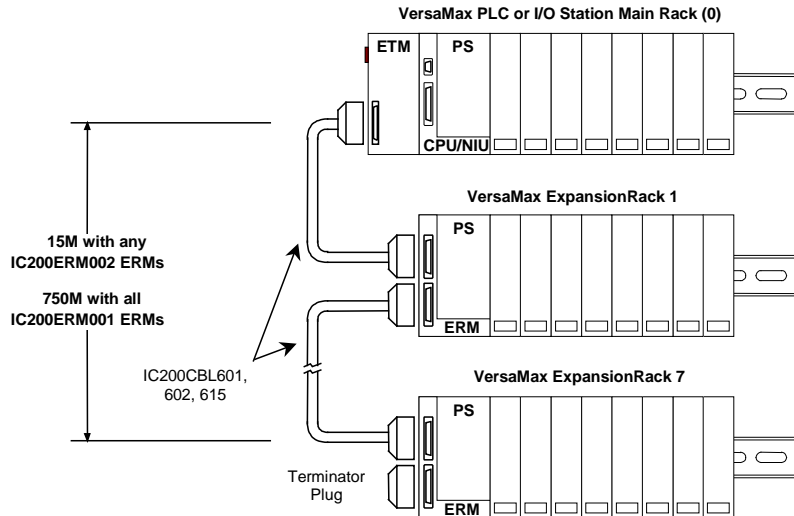
The EXP TX LED is either blinking or ON when the Expansion Transmitter is communicating with the Bus Receiver Modules connected to it through the expansion bus link. It is OFF when they are not communicating.

## IC200ETM001 Expansion Transmitter Module

### Expansion Rack Attachment

The Expansion Transmitter installs on a DIN rail and attaches to the left side of a VersaMax CPU or NIU module on the same DIN rail. The Expansion Transmitter connects to up to seven Expansion Receiver Modules in expansion “racks”. The maximum overall length of the expansion cable depends on which type of Expansion Receiver is used:

- 15 m: Expansion Receiver IC200ERM002
- 750 m: Isolated Expansion Receiver IC200ERM001



### Cable Length and Data Rate

By default, the module is set up to operate with the maximum length expansion cable at the default data rate of 250Kbits/second. If the total length of the expansion cable is less than 250 m and there are no non-isolated Expansion Receivers (IC200ERM002) in the expansion system, the VersaMax PLC programmer allows the data rate to be configured to 1Mbit/second. In an NIU I/O Station, the data rate cannot be changed from the default 250Kbits.

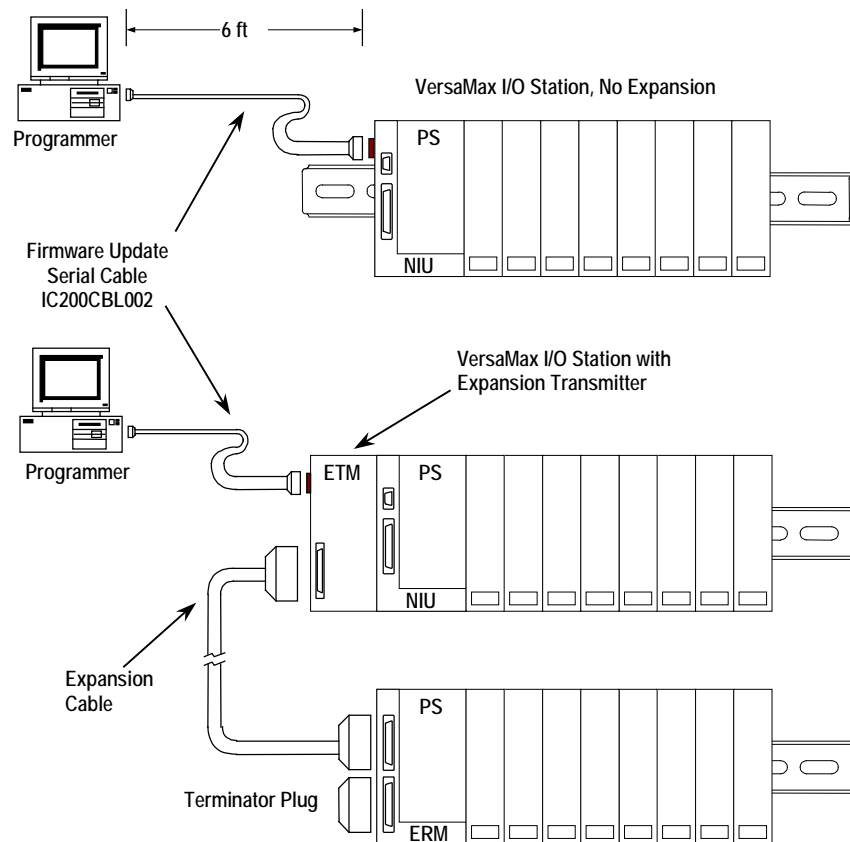
### Terminator Plug

The last Expansion Receiver in the chain must be terminated with terminator plug IC200ACC201 (included with the Expansion Transmitter). Spare Terminator Plugs may also be purchased separately as part number IC200ACC201 (qty 2).

*IC200ETM001*  
*Expansion Transmitter Module*

### *Pass-Through Serial Port*

When the Expansion Transmitter is connected to a NIU module in an I/O station, firmware upgrades to the NIU are performed through the Expansion Transmitter's pass-through serial port. (If there is no Expansion Transmitter installed, firmware upgrades are made through direct connection between the programmer and NIU, as displayed in the first illustration as follows.) The same serial cable, IC200CBL002, is used in both cases.



## IC200ETM001 Expansion Transmitter Module

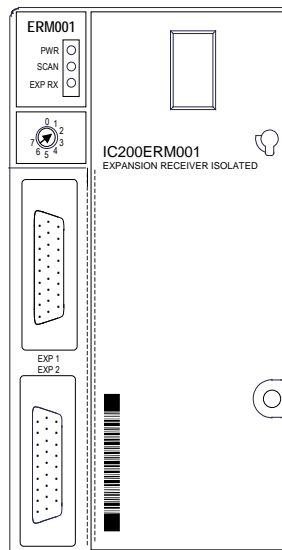
### Module Specifications

<b>Module Characteristics</b>											
LED indicators			PWR LED indicates 5 V DC power status EXP TX LED indicates expansion bus communication status								
Backplane current consumption			5 V output: 44mA maximum								
<i>Compatibility</i>	<i>CIMPLICITY ME</i>	<i>Versa Pro</i>	<i>Control 90</i>	<i>CPU001</i>	<i>CPU002</i>	<i>CPU005</i>	<i>CPUE05</i>	<i>DBI001</i>	<i>EBI001</i>	<i>GBI001</i>	<i>PBI001</i>
<i>HW,FW rel. FW version #</i>	2.11	1.1	No	BD 1.5	AA 1.5	AA 2.1	AA 2.1	No	AB 1.1	AC 1.5	BD 2.01
<b>Cable Specifications</b>											
IC200ERM002:											
Maximum cable length			15 meters								
Effective data rate (max)			5 Mbits/sec								
Electrical Isolation			non-isolated differential communications								
IC200ERM001:											
Maximum cable length			250 m (if configured for higher data rate) 750 m (default distance)								
Effective data rate			1 Mbits/sec (configurable for cable less than 250 m) 250 Kbits/sec (default data rate)								
Electrical Isolation			500 V DC isolated differential communications								
Firmware Update Interface											
Maximum cable length			6 ft								
Effective data rate			Refer to specification for NIU modules (serial lines are pass-through on ETMs)								
<b>Catalog Numbers</b>											
Bus Transmitter Module			IC200ETM001								
Expansion Cable, Shielded			IC200CBL601 - 1 m IC200CBL602 - 2 m IC200CBL615 - 15 m								
Firmware Update Cable			IC200CBL002								
Terminator Plug			IC200ACC201 (included with ETM)								
Connector Kit			IC200ACC202								

To make different length expansion cables, purchase the connector kit and use one of the following commercially-available cables: Belden 8108, Manhattan/CDT M2493, Alpha 3498C.

## *IC200ERM001 Expansion Receiver Module, Isolated*

The Expansion Receiver Module, Isolated (IC200ERM001) interfaces an expansion “rack” to a VersaMax PLC or NIU I/O Station system. The expansion rack can include up to eight Versamax I/O and special-purpose modules. A VersaMax power supply installed on the Expansion Receiver Module provides operating power for the modules in the expansion rack. This module must be used with an Expansion Transmitter Module (IC200ERM001) in the PLC or I/O Station. The total overall length of the expansion cable can be up to 750 m. This module provides up to 500 V DC isolation.



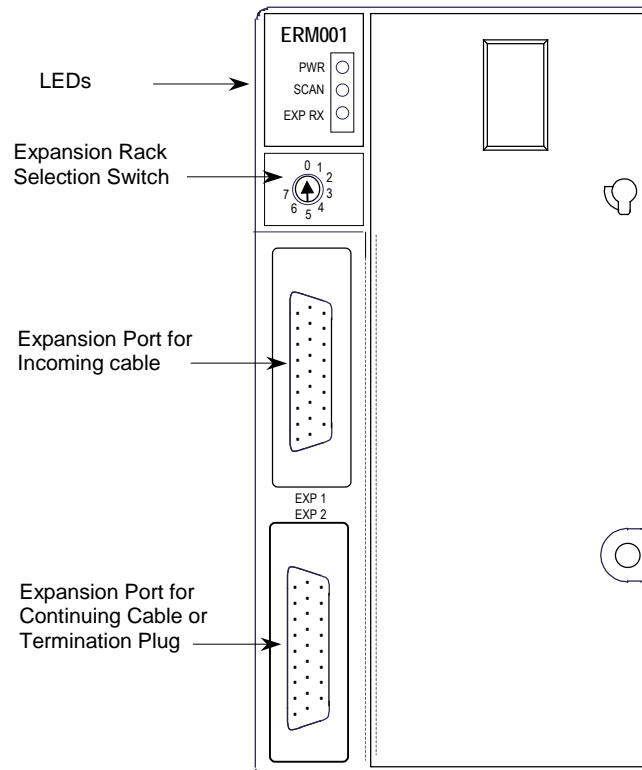
- High speed bus expansion interface
- Supports up to 7 expansion racks
- Supports Hold Last State
- System fault isolation
- Three LED indicators provide module power status and expansion port status
- No DIP switches to set, easy software configuration into PLC system
- Power supply mounts directly to module
- 500 V DC isolation

The Expansion Receiver Module supports hold last state operation of the output modules in the event of loss of communications with the CPU/NIU. It also permits isolation and repair of a faulty module within a rack.

## IC200ERM001 Expansion Receiver Module, Isolated

### Connectors

The Expansion Receiver has two 26-pin female D-shell expansion ports. The upper port receives the cable from an Expansion Transmitter or upstream Expansion Receiver Module. The lower port is used to daisy-chain the expansion cable to the next expansion rack or to attach the terminator plug at the last rack. The Expansion Receiver must always be installed in the leftmost position of the rack (slot 0).



### *LED Indicators*

Three LEDs display the status of module power, the expansion port, and the I/O modules.

The PWR LED is ON when the module is receiving 5 V DC power from the attached power supply. It is OFF when there is no power supply attached or when the power supply itself is not receiving power.

The SCAN LED lights green when the CPU/NIU is actively scanning I/O in expansion racks. It lights amber when the CPU/NIU is not actively scanning I/O in expansion racks.

The EXP RX LED indicates the status of the expansion bus. This LED is either blinking or ON when the Expansion Receiver is communicating with the Expansion Transmitter. It is OFF when not communicating.

### *Expansion Rack Selection Switch*

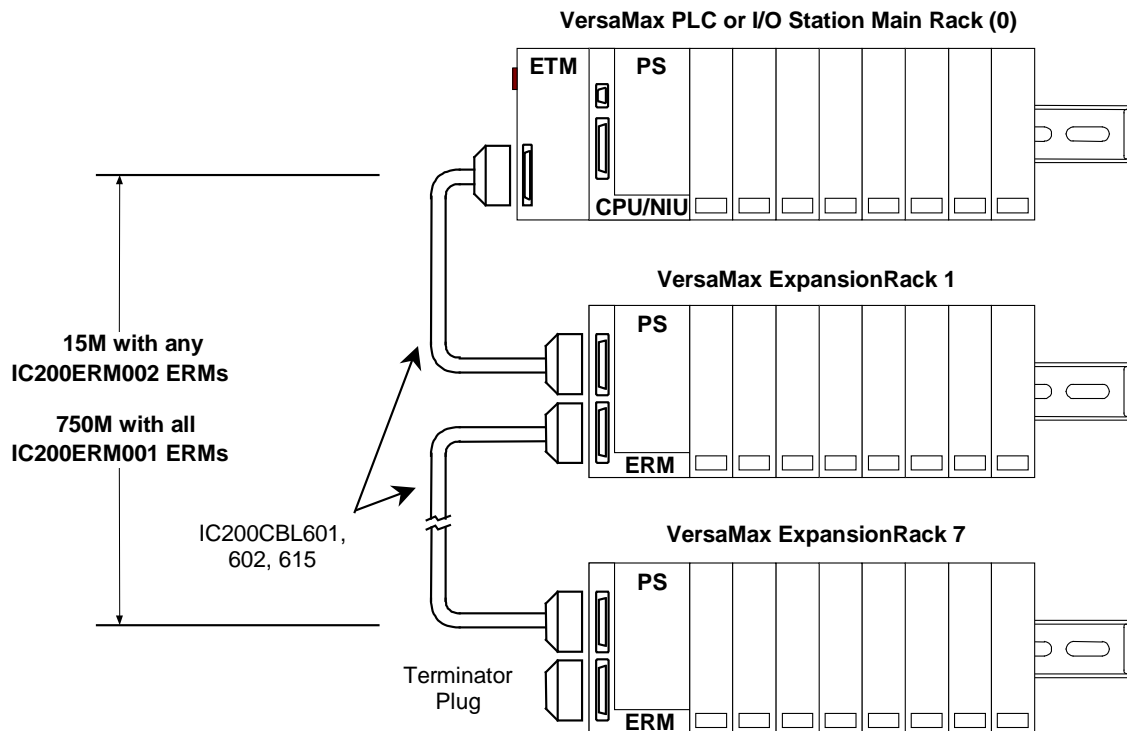
The Rack Selection Switch specifies which expansion rack the ERM is in.



**IC200ERM001**  
*Expansion Receiver Module, Isolated*

*VersaMax Expansion Modules Standard RS-485 Differential Expansion Interface*

The Expansion Receiver Module connects to an Expansion Transmitter Module in a VersaMax PLC or VersaMax NIU I/O Station, or to an Expansion Receiver in a previous rack, as displayed in the following figure. Modules are connected using expansion cable IC200CBL6xx (xx represents the length in meters). Up to seven expansion racks can be used in a system. With the isolated Expansion Receiver Module, the total overall length of the expansion cable can be up to 750 m.



---

### *Cable Length and Data Rate*

By default, the module is set up to operate with the maximum length expansion cable at the default data rate of 250Kbits/second. If the total length of the expansion cable is less than 250 m and there are no non-isolated Expansion Receivers (IC200ERM002) in the expansion system, the VersaMax PLC programmer allows the data rate to be configured to 1Mbit/second. In an NIU I/O Station, the data rate cannot be changed from the default 250Kbits.

### *Terminator Plug*

The terminator plug supplied with the Expansion Transmitter Module must be installed in the lower connector of the last Expansion Receiver in the chain as displayed above.

<b>IC200ERM001</b> <b>Expansion Receiver Module, Isolated</b>
--

**Module Specifications**

<b>Module Characteristics</b>											
LED indicators		PWR LED indicates 5 V DC power status EXP RX LED indicates status of the expansion bus SCAN indicates whether CPU/NIU is scanning I/O in expansion racks									
Backplane current consumption		5 V output: 430mA maximum. 3.3 V output: 20 mA									
<i>Compatibility</i>	<i>Cimplicity ME</i>	<i>Versa Pro</i>	<i>Control 190</i>	<i>CPU001</i>	<i>CPU002</i>	<i>CPU005</i>	<i>CPUE05</i>	<i>DBI001</i>	<i>EBI001</i>	<i>GBI001</i>	<i>PBI001</i>
<i>HW,FW rel. FW version #</i>	2.11	1.1	No	BD 1.5	AA 1.5	AA 2.1	AA 2.1	No	AB 1.1	AC 1.5	BD 2.01
<b>Cable Specifications</b>											
Maximum cable length		250 m (if configured for higher data rate) 750 m (default distance)									
Effective data rate		1 Mbits/sec (configurable for cable less than 250 m) 250 Kbits/sec (default data rate)									
Electrical Isolation		500 V DC isolated differential communications									
<b>Catalog Numbers</b>											
Bus Receiver Module		IC200ERM001									
Bus Transmitter Module		IC200ETM001									
Expansion Cable, Shielded		IC200CBL601 - 1 m IC200CBL602 - 2 m IC200CBL615 - 15 m									
Firmware Update Cable		IC200CBL002									
Terminator Plug		IC200ACC201 (included with ETM)									
Connector Kit		IC200ACC202									

**IC200ERM001**  
**Expansion Receiver Module, Isolated**

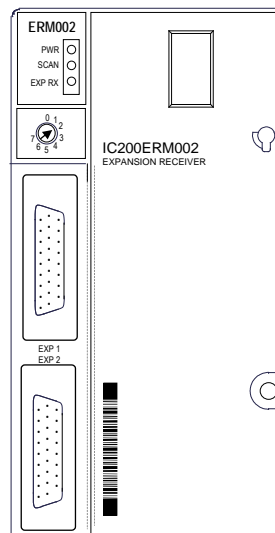
### Modules for Expansion Racks

All I/O and communications modules can be used in expansion racks. Some analog modules require specific module revisions as listed below. The date code is a 3-digit number on the outside of the module and on the shipping box.

<i>Module</i>	<i>Revision</i>	<i>Module Date Code Range</i>
IC200ALG320	B or later	Any
IC200ALG321	B or later	Any
IC200ALG322	B or later	Any
IC200ALG430	C or later	Any
IC200ALG431	C or later	Any
IC200ALG432	B or later	Any
IC200ALG230	A or later	<i>CPU or NIU Revision 1.5:</i> Date code must begin with a number other than 9 and must be 011 or greater.
	Any	<i>CPU or NIU Revision 2.0 or later:</i> Any date code.
IC200ALG260	A or later	<i>CPU or NIU Revision 1.5:</i> Date code must begin with a number other than 9 and must be 011 or greater.
	Any	<i>CPU or NIU Revision 2.0 or later:</i> Any date code.

### *IC200ERM002 Expansion Receiver Module, Non-isolated*

The non-isolated Expansion Receiver Module (IC200ERM002) interfaces an expansion “rack” to a VersaMax PLC or VersaMax NIU I/O Station system. The expansion rack can include up to eight VersaMax I/O and special-purpose modules. A VersaMax power supply installed on the Expansion Receiver Module provides operating power for the modules in the expansion rack. This module may be used without an Expansion Transmitter Module (IC200ETM001) in the PLC or I/O Station if there is only one expansion rack in the system or if the cable length is one meter or less. An Expansion Transmitter Module is required if there are multiple expansion racks or for a longer cable. Maximum cable length for this non-isolated module is 15 m.



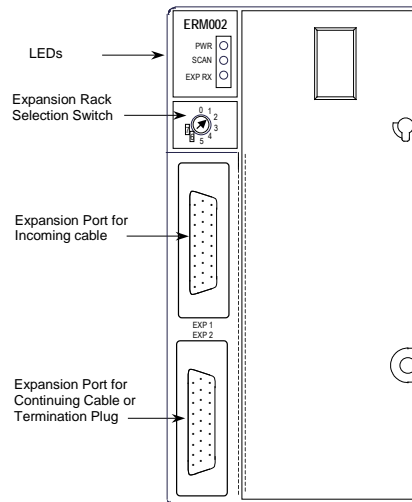
- High speed bus expansion interface
- Supports Hold Last State
- System fault isolation
- Three LEDs indicate module power status and expansion port status
- No DIP switches to set, easy software configuration into PLC system
- Power supply mounts directly to module
- Differential or single-ended operation

The Expansion Receiver Module supports hold last state operation of the output modules in the event of loss of communications with the CPU/NIU. It also permits isolation and repair of a faulty module within a rack.

## IC200ERM002: Expansion Receiver Module, Non-isolated

### Connectors

The Expansion Receiver has two 26-pin female D-shell expansion ports. The upper port receives the cable from an Expansion Transmitter or upstream Expansion Receiver Module. The lower port is used to connect the expansion cable to the next expansion rack or to attach the terminator plug at the last rack.



### LED Indicators

Three LEDs display the status of module power, the expansion port, and the I/O modules.

The PWR LED is ON when the module is receiving 5 V DC power from the attached power supply. It is OFF when there is no power supply attached or when the power supply itself is not receiving power.

The SCAN LED lights green when the CPU/NIU is actively scanning I/O in expansion racks. It lights amber when the CPU/NIU is not actively scanning I/O in expansion racks.

The EXP RX LED indicates the status of the expansion bus. This LED is either blinking or ON when the Expansion Receiver is communicating with the Expansion Transmitter or with other ERMs. It is OFF when not communicating.

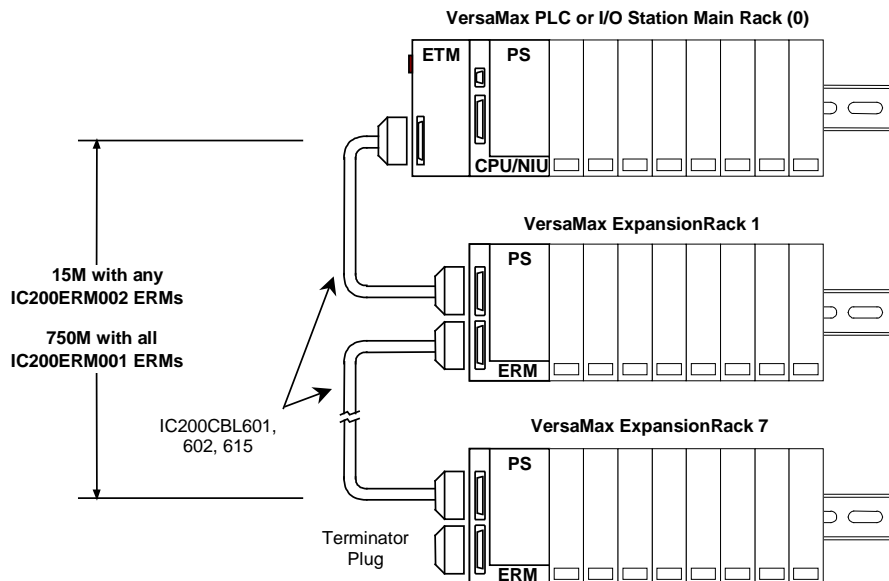
### Expansion Rack Selection Switch

The Rack Selection Switch is used to specify in which expansion rack the ERM is.

## IC200ERM002 Expansion Receiver Module, Non-isolated

### VersaMax Expansion Modules Standard RS-485 Differential Expansion Interface

The Expansion Receiver Module connects to an Expansion Transmitter Module in a VersaMax PLC or VersaMax NIU I/O Station, or to an Expansion Receiver in a previous rack, as displayed below. Modules are connected using expansion cable IC200CBL6xx (xx represents the length in meters). Up to seven expansion racks can be included in the system. With the non-isolated Expansion Receiver Module, the total overall length of the expansion cable can be up to 15 m.



### Terminator Plug

The terminator plug supplied with the Expansion Transmitter Module is installed in the last Expansion Receiver in a chain as displayed above. If the Expansion Receiver is at the end of the chain, the terminator plug is installed in the lower expansion port.

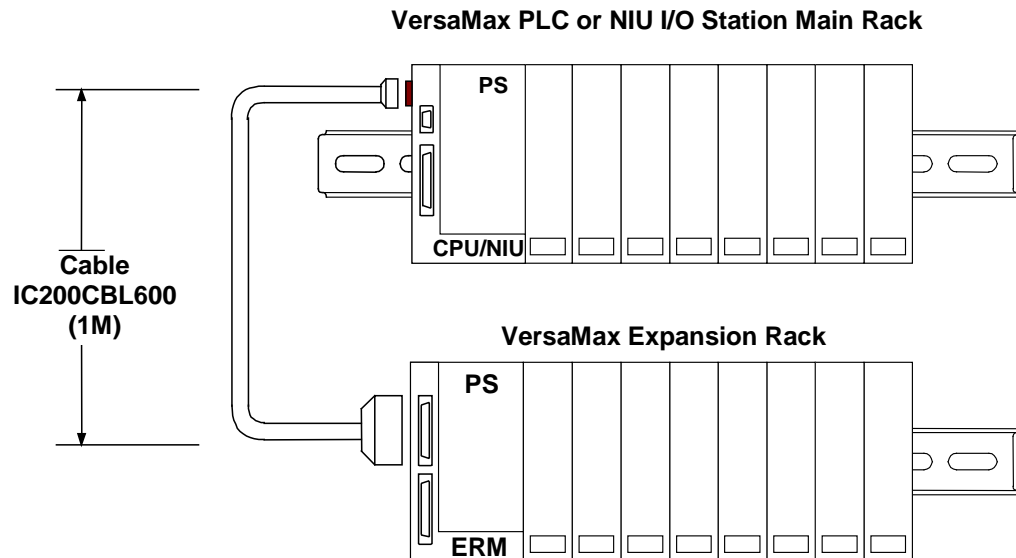
No terminator plug is required in the single-ended configuration described on the following page.

*IC200ERM002*  
*Expansion Receiver Module, Non-isolated*

### *Two-Rack Local System*

Expansion Receiver IC200ERM002 can also be used to connect a VersaMax PLC main rack or VersaMax NIU I/O Station to just one expansion rack without having an Expansion Transmitter Module in the main rack.

This “single-ended” configuration has a maximum cable length of 1 m. No terminator plug is required in the expansion rack.





## IC200ERM002 Expansion Receiver Module, Non-isolated

### Module Specifications

<b>Module Characteristics</b>											
LED indicators	PWR LED indicates 5 V DC power status EXP RX LED indicates expansion bus communications status SCAN LED indicates whether the CPU/NIU is scanning I/O in expansion racks										
Backplane current consumption	5V output: 70mA maximum 3.3V output: 20mA										
Compatibility	<i>Cimplicity ME</i>	<i>Versa Pro</i>	<i>Control 90</i>	<i>CPU 001</i>	<i>CPU 002</i>	<i>CPU 005</i>	<i>CPU E05</i>	<i>DBI 001</i>	<i>EBI 001</i>	<i>GBI 001</i>	<i>PBI 001</i>
<i>HW, FW rel. FW version #</i>	2.11	1.1	No	BD 1.5	AA 1.5	AA 2.1	AA 2.1	No	AB 1.1	AC 1.5	BD 2.01
<b>Cable Specifications</b>											
Maximum cable length	15 meters (differential) , 1 m (single-ended)										
Effective data rate	5 Mbits/sec (differential), 2.765 Mbits/sec (single-ended)										
Electrical Isolation	Non-isolated differential or single-ended communications										
<b>Catalog Numbers</b>											
Bus Receiver Module	IC200ERM002										
Expansion Cable, Shielded	IC200CBL601 - 1 m IC200CBL602 - 2 m IC200CBL615 - 15 m										
Terminator Plug Connector Kit	IC200ACC201 (included with ETM) IC200ACC202										

### Modules for Expansion Racks

All I/O and communications modules can be used in expansion racks. Some analog modules require specific module revisions as listed below. The date code is a 3-digit number on the outside of the module and on the shipping box.

Module	Revision	Module Date Code Range
IC200ALG320	B or later	Any
IC200ALG321	B or later	Any
IC200ALG322	B or later	Any
IC200ALG430	C or later	Any
IC200ALG431	C or later	Any
IC200ALG432	B or later	Any
IC200ALG230	A or later	<i>CPU or NIU Revision 1.5:</i> Date code must begin with a number other than 9 and must be 011 or greater.
	Any	<i>CPU or NIU Revision 2.0 or later:</i> Any date code.
IC200ALG260	A or later	<i>CPU or NIU Revision 1.5:</i> Date code must begin with a number other than 9 and must be 011 or greater.
	Any	<i>CPU or NIU Revision 2.0 or later:</i> Any date code.

# Chapter 7

## Discrete Input Modules

---

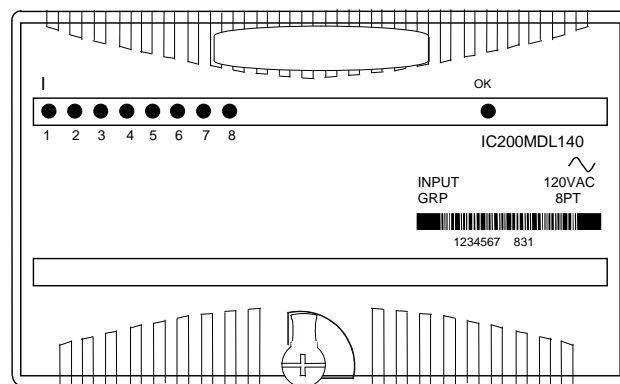
---

This chapter describes VersaMax discrete input modules.

- IC200MDL140 Input Module, 120 V AC 8 Points
- IC200MDL141 Input Module, 240 V AC 8 Points
- IC200MDL143 Input Module, 120 V AC Isolated 8 Points
- IC200MDL144 Input Module, 240 V AC Isolated 4 Points
- IC200MDL240 Input Module, 120 V AC 16 Points
- IC200MDL241 Input Module, 240 V AC 16 Points
- IC200MDL243 Input Module, 120 V AC Isolated 16 Points
- IC200MDL244 Input Module, 240 V AC Isolated 8 Points
- IC200MDL631 Input Module, 125 V DC Pos/Neg Logic Isolated 8 Points
- IC200MDL632 Input Module, 125 V DC Pos/Neg Logic Isolated 16 Points
- IC200MDL635 Input Module, 48 V DC Pos/Neg Logic Grouped 16 Points
- IC200MDL636 Input Module, 48 V DC Pos/Neg Logic Grouped 32 Points
- IC200MDL640 Input Module, 24 V DC Pos/Neg Logic 16 Points
- IC200MDL643 Input Module, 5/12 V DC Pos/Neg Logic Grouped 16 Points
- IC200MDL644 Input Module, 5/12 V DC Pos/Neg Logic Grouped 32 Point
- IC200MDL650 Input Module, 24 V DC Pos/Neg Logic 32 Points

### *IC200MDL140 Input Module, 120 V AC 8 Points*

Discrete Input Module IC200MDL140 provides one group of 8 discrete inputs. Inputs are positive logic or sourcing-type inputs; they receive current from AC input devices and return the current on the common. Input devices are connected between the input terminals and common terminals.



Power for module operation comes from the backplane.

Intelligent processing for the module is performed by the CPU or NIU. The module provides 8 bits of discrete input data.

#### ***LED Indicators***

Individual green LEDs indicate the on/off state of each input point.

The green OK LED is ON when backplane power is present to the module.

**IC200MDL140**  
**Input Module, 120 V AC 8 Points**

### Module Specifications

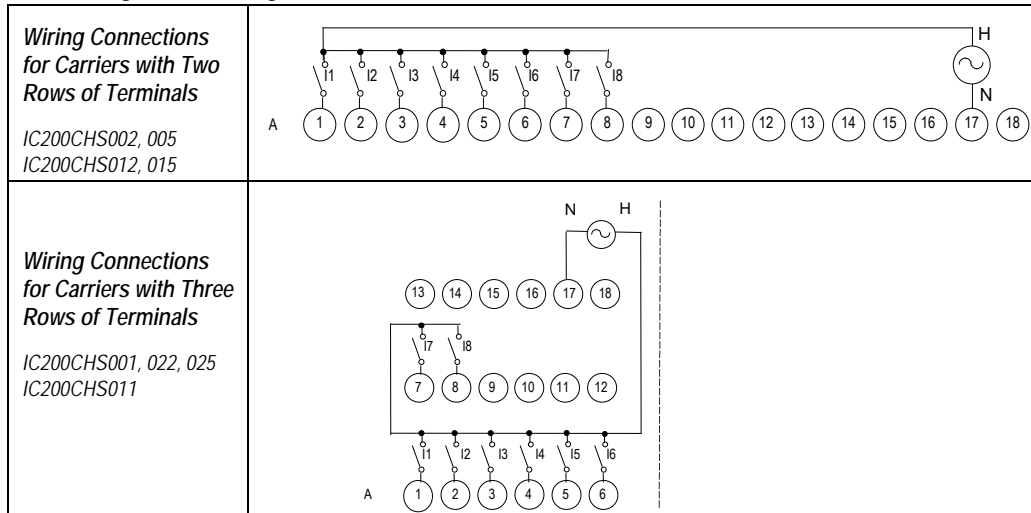
<b>Module Characteristics</b>											
Points	One group of 8 inputs										
Module ID	FFFF8804										
Isolation:	250 V AC continuous; 1500 V AC for 1 minute										
User input to logic (optical) and frame ground	Not applicable										
Group to group	None										
Point to point											
LED indicators	One LED per point shows individual point ON/OFF status OK LED indicates backplane power is present										
Backplane current consumption	5 V output: 55mA maximum										
External power supply	None										
Thermal derating	None										
<b>Compatibility</b>	<i>Cimplicity ME</i>	<i>VersaPro</i>	<i>Control 90</i>	<i>CPU 001</i>	<i>CPU 002</i>	<i>CPU 005</i>	<i>CPU E05</i>	<i>DBI 001</i>	<i>EBI 001</i>	<i>GBI 001</i>	<i>PBI 001</i>
<i>HW,FW vers. FW release</i>	2.11	1.1	2.4	AA 1.0	AA 1.5	AA 2.1	AA 2.1	AA 1.1	AA 1.0	AA 1.0	AA 1.0
<b>Input Characteristics</b>											
Input voltage	0 to 132 V AC (47 to 63Hz), 120 V AC nominal										
On state voltage	70 to 132 V AC										
Off state voltage	0 to 20 V AC										
On state current	5 mA minimum										
Off state current	2.5 mA maximum										
On response time	1 cycle maximum										
Off response time	2 cycles maximum										
Input impedance	8.6 k $\Omega$ (reactive) at 60 Hz, typical 10.32 k $\Omega$ (reactive) at 50 Hz, typical										

**IC200MDL140**  
**Input Module, 120 V AC 8 Points**

*Field Wiring*

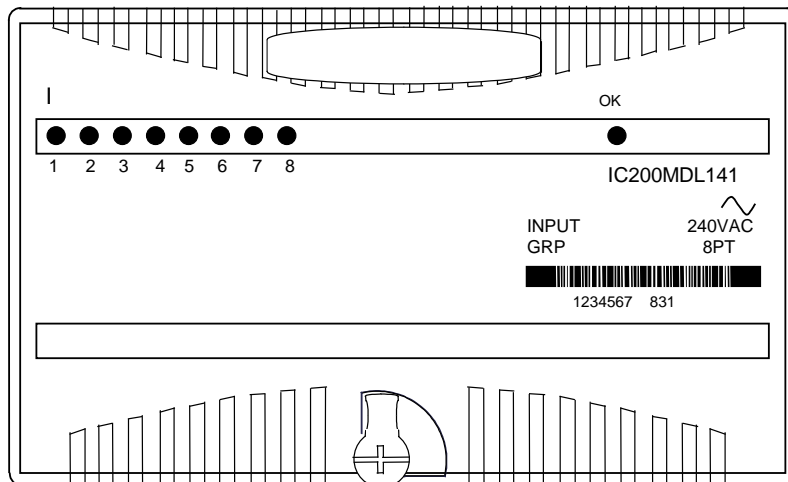
Terminal	Connection	Terminal	Connection
A1	Input 1	B1	No connection
A2	Input 2	B2	No connection
A3	Input 3	B3	No connection
A4	Input 4	B4	No connection
A5	Input 5	B5	No connection
A6	Input 6	B6	No connection
A7	Input 7	B7	No connection
A8	Input 8	B8	No connection
A9	No connection	B9	No connection
A10	No connection	B10	No connection
A11	No connection	B11	No connection
A12	No connection	B12	No connection
A13	No connection	B13	No connection
A14	No connection	B14	No connection
A15	No connection	B15	No connection
A16	No connection	B16	No connection
A17	Inputs 1-8 Common (Return)	B17	No connection
A18	No connection	B18	No connection

If additional bussed terminals are needed, the B terminals can be made available by using a shorting bar. The shorting bar has a maximum current-carrying capacity of 2 Amps per point. Refer to chapter 2 for information about using the shorting bar.



**IC200MDL141**  
**Input Module, 240 V AC 8 Points**

Discrete Input Module IC200MDL141 provides one group of 8 discrete inputs. Inputs are positive logic or sourcing-type inputs; they receive current from AC input devices and return the current on the common. Input devices are connected between the input terminals and common terminals.



Power for module operation comes from the backplane.

Intelligent processing for the module is performed by the CPU or NIU. The module provides 8 bits of discrete input data.

### ***LED Indicators***

Individual green LEDs indicate the on/off state of each input point.

The green OK LED is ON when backplane power is present to the module.

**IC200MDL141**  
**Input Module, 240 V AC 8 Points**

*Module Specifications*

<b>Module Characteristics</b>												
Points		1 group of 8 inputs										
Module ID		FFFF8804										
Isolation:		250 V AC continuous; 1500 V AC for 1 minute										
User input to logic (optical) and frame ground		250 V AC continuous; 1500 V AC for 1 minute										
Group to group		Not applicable										
Point to point		None										
LED indicators		One LED per point shows individual point ON/OFF status OK LED indicates backplane power is present										
Backplane current consumption		5 V output: 55 mA maximum										
External power supply		None										
Thermal derating		None										
<i>Compatibility</i>	<i>Cimplicity ME</i>	<i>VersaPro</i>	<i>Control 90</i>	<i>CPU 001</i>	<i>CPU 002</i>	<i>CPU 005</i>	<i>CPU E05</i>	<i>DBI 001</i>	<i>EBI 001</i>	<i>GBI 001</i>	<i>PBI 001</i>	
<i>HW,FW vers. FW release</i>	2.11	1.1	2.4	AA 1.0	AA 1.5	AA 2.1	AA 2.1	AA 1.1	AA 1.0	AA 1.0	AA 1.0	AA 1.0
<b>Input Characteristics</b>												
Input voltage		0 to 264 V AC (47 to 63Hz), 240 V AC nominal										
On state voltage		155 to 264 V AC										
Off state voltage		0 to 40 V AC										
On state current		7mA minimum										
Off state current		1.5mA maximum										
On response time		1 cycle maximum										
Off response time		2 cycles maximum										
Input impedance		38.5 k $\Omega$ (reactive) at 60Hz, typical 46.3 k $\Omega$ (reactive) at 50Hz, typical										

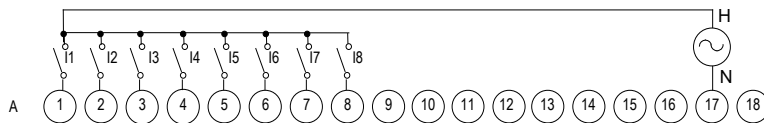
**IC200MDL141**  
**Input Module, 240 V AC 8 Points**

### Field Wiring

Terminal	Connection	Terminal	Connection
A1	Input 1	B1	No connection
A2	Input 2	B2	No connection
A3	Input 3	B3	No connection
A4	Input 4	B4	No connection
A5	Input 5	B5	No connection
A6	Input 6	B6	No connection
A7	Input 7	B7	No connection
A8	Input 8	B8	No connection
A9	No connection	B9	No connection
A10	No connection	B10	No connection
A11	No connection	B11	No connection
A12	No connection	B12	No connection
A13	No connection	B13	No connection
A14	No connection	B14	No connection
A15	No connection	B15	No connection
A16	No connection	B16	No connection
A17	Inputs 1-8 Common Return)	B17	No connection
A18	No connection	B18	No connection

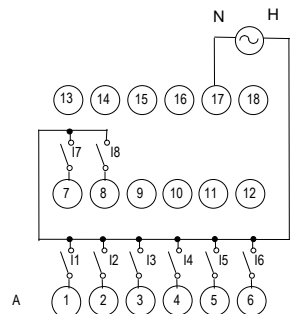
**Wiring Connections  
for Carriers with Two  
Rows of Terminals**

IC200CHS002, 005  
IC200CHS012, 015



**Wiring Connections  
for Carriers with Three  
Rows of Terminals**

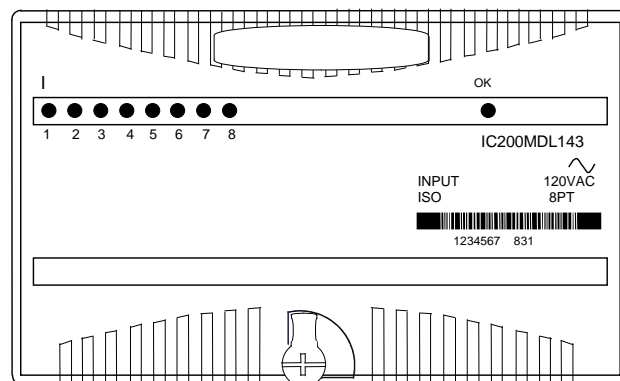
IC200CHS001, 022, 025  
IC200CHS011





**IC200MDL143**  
**Input Module, 120 V AC Isolated 8 Points**

Discrete Input Module IC200MDL143 provides 8 isolated discrete inputs. Inputs are positive logic or sourcing-type inputs; they receive current from AC input devices and return the current on the common. Each input has its own return.



Power for module operation comes from the backplane.

Intelligent processing for the module is performed by the CPU or NIU. The module provides 8 bits of discrete input data.

### **LED Indicators**

Individual green LEDs indicate the on/off state of each input point.

The green OK LED is ON when backplane power is present to the module.

**IC200MDL143**  
**Input Module, 120 V AC Isolated 8 Points**

### Module Specifications

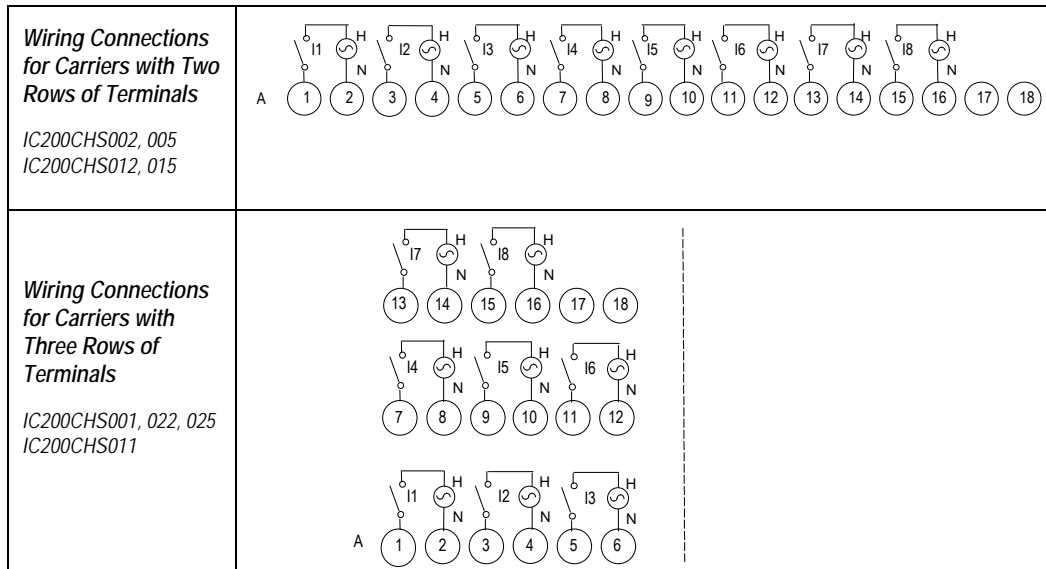
<b>Module Characteristics</b>											
Points		8 Isolated Inputs									
Module ID		FFFF8804									
Isolation:		250 V AC continuous; 1500 V AC for 1 minute									
User input to logic (optical) and frame ground		250 V AC continuous; 1500 V AC for 1 minute									
Group to group		Not applicable									
Point to point		250 V AC continuous; 1500 V AC for 1 minute									
LED indicators		One LED per point shows individual point ON/OFF status OK LED indicates backplane power is present									
Backplane current consumption		5 V output: 50 mA maximum									
External power supply		None									
Thermal derating		None									
<b>Compatibility</b>	<i>Cimplicity ME</i>	<i>VersaPro</i>	<i>Control 90</i>	<i>CPU 001</i>	<i>CPU 002</i>	<i>CPU 005</i>	<i>CPU E05</i>	<i>DBI 001</i>	<i>EBI 001</i>	<i>GBI 001</i>	<i>PBI 001</i>
<i>HW,FW vers. FW release</i>	2.11	1.5	2.4	AA 1.0	AA 1.5	AA 2.1	AA 2.1	AA 1.1	AA 1.0	AA 1.0	AA 1.0
<b>Input Characteristics</b>											
Input voltage		0 to 132 V AC (47 to 63Hz), 120 V AC nominal									
On state voltage		70 to 132 V AC									
Off state voltage		0 to 20 V AC									
On state current		5 mA minimum									
Off state current		2.5 mA maximum									
On response time		1 cycle maximum									
Off response time		2 cycles maximum									
Input impedance		8.6 k $\Omega$ (reactive) at 60Hz, typical 10.32 k $\Omega$ (reactive) at 50Hz, typical									

**IC200MDL143**  
**Input Module, 120 V AC Isolated 8 Points**

**Field Wiring**

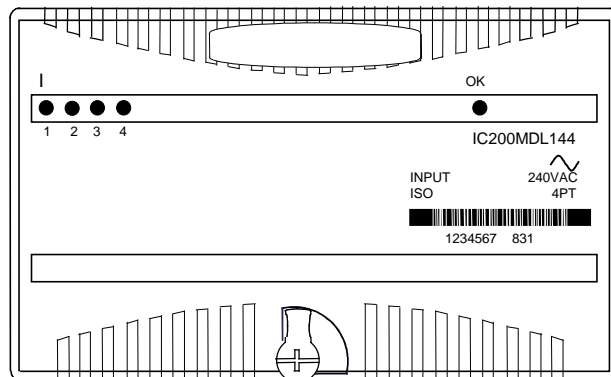
Terminal	Connection	Terminal	Connection
A1	Input 1	B1	No connection
A2	Input 1 Return	B2	No connection
A3	Input 2	B3	No connection
A4	Input 2 Return	B4	No connection
A5	Input 3	B5	No connection
A6	Input 3 Return	B6	No connection
A7	Input 4	B7	No connection
A8	Input 4 Return	B8	No connection
A9	Input 5	B9	No connection
A10	Input 5 Return	B10	No connection
A11	Input 6	B11	No connection
A12	Input 6 Return	B12	No connection
A13	Input 7	B13	No connection
A14	Input 7 Return	B14	No connection
A15	Input 8	B15	No connection
A16	Input 8 Return	B16	No connection
A17	No connection	B17	No connection
A18	No connection	B18	No connection

Using a shorting bar with this module eliminates its point-to-point isolation characteristics.



**IC200MDL144**  
**Input Module, 240 V AC Isolated 4 Points**

Discrete Input Module IC200MDL144 provides 4 isolated discrete inputs. Inputs are positive logic or sourcing-type inputs; they receive current from AC input devices and return the current on the common. Input devices are connected between the input terminals and common terminals.



Power for module operation comes from the backplane.

Intelligent processing for the module is performed by the CPU or NIU. The module provides 4 bits of discrete input data.

### **LED Indicators**

Individual green LEDs indicate the on/off state of each input point.

The green OK LED is ON when backplane power is present to the module.

**IC200MDL144**  
**Input Module, 240 V AC Isolated 4 Points**

*Module Specifications*

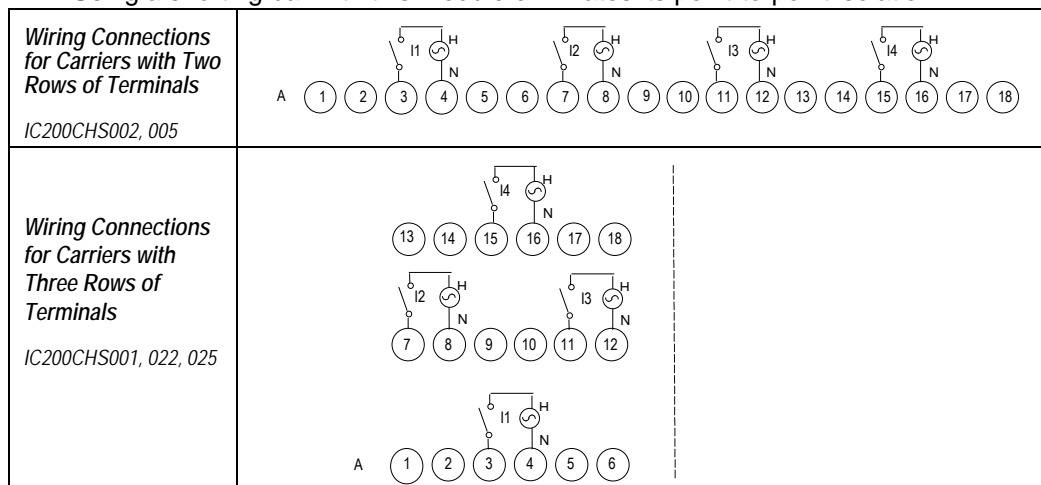
<b>Module Characteristics</b>											
Points		4 Isolated Inputs									
Module ID		FFFF8802									
Isolation:		500 V AC continuous; 2000 V AC for 1 minute									
User input to logic (optical) and frame ground		500 V AC continuous; 2000 V AC for 1 minute									
Group to group		None									
Point to point		500 V AC continuous; 2000 V AC for 1 minute									
Carrier Requirement		Requires Box-Style, Barrier-Style or Spring-Style Carrier, revision B or later. Cannot be used with Connector-Style Carrier.									
LED indicators		One LED per point shows individual point ON/OFF status OK LED indicates backplane power is present									
Backplane current consumption		5 V output: 30 mA maximum									
External power supply		None									
Thermal derating		None									
Compatibility	Cimplicity ME	VersaPro	Control 90	CPU 001	CPU 002	CPU 005	CPU E05	DBI 001	EBI 001	GBI 001	PBI 001
HW,FW vers. FW release	2.11	1.5	2.4	AA 1.0	AA 1.5	AA 2.1	AA 2.1	AA 1.1	AA 1.0	AA 1.0	AA 1.0
<b>Input Characteristics</b>											
Input voltage		0 to 264 V AC (47 to 63Hz), 240 V AC nominal									
On state voltage		155 to 264 V AC									
Off state voltage		0 to 40 V AC									
On state current		7mA minimum									
Off state current		1.5mA maximum									
On response time		1 cycle maximum									
Off response time		2 cycles maximum									
Input impedance		38.5 kΩ (reactive) at 60Hz, typical 46.3 kΩ (reactive) at 50Hz, typical									

**IC200MDL144**  
**Input Module, 240 V AC Isolated 4 Points**

### Field Wiring

Terminal	Connection	Terminal	Connection
A1	No connection	B1	No connection
A2	No connection	B2	No connection
A3	Input 1	B3	No connection
A4	Input 1 Return	B4	No connection
A5	No connection	B5	No connection
A6	No connection	B6	No connection
A7	Input 2	B7	No connection
A8	Input 2 Return	B8	No connection
A9	No connection	B9	No connection
A10	No connection	B10	No connection
A11	Input 3	B11	No connection
A12	Input 3 Return	B12	No connection
A13	No connection	B13	No connection
A14	No connection	B14	No connection
A15	Input 4	B15	No connection
A16	Input 4 Return	B16	No connection
A17	No connection	B17	No connection
A18	No connection	B18	No connection

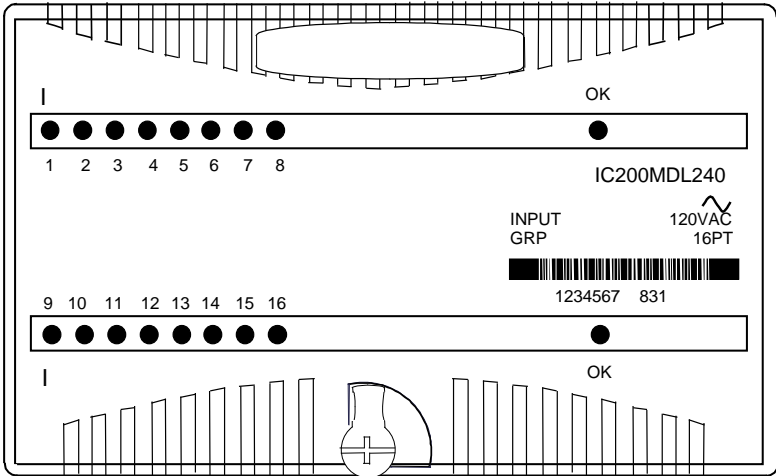
Using a shorting bar with this module eliminates its point-to-point isolation.



Discrete Input Module IC200MDL144 should be used with a compact terminal-style carrier (IC200CHS002 or 005) or with a terminal-style carrier (IC200CHS001, 002, 005 suffix "B" or higher). It cannot be used with a Connector-Style Carrier (IC200CHS003) due to its high isolation requirement.

**IC200MDL240**  
**Input Module, 120 V AC 16 Points**

Discrete input module IC200MDL240 provides two groups of 8 discrete inputs each. Inputs are positive logic or sourcing-type inputs; they receive current from AC input devices and return the current on the common. Input devices are connected between the input terminals and common terminals.



Power for module operation comes from the backplane.  
Intelligent processing for the module is performed by the CPU or NIU. The module provides 16 bits of discrete input data.

**LED Indicators**

Individual green LEDs indicate the on/off state of each input point.  
The green OK LED is ON when backplane power is present to the module.

**IC200MDL240**  
**Input Module, 120 V AC 16 Points**

### Module Specifications

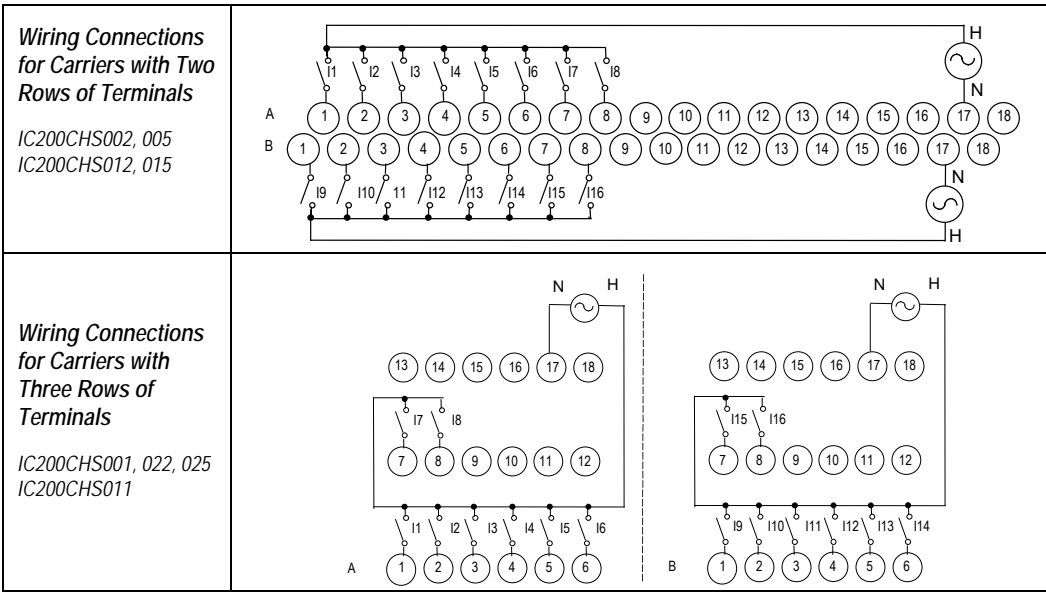
<b>Module Characteristics</b>											
Points			Two groups of 8 inputs								
Module ID			88048804								
Isolation:			250 V AC continuous; 1500 V AC for 1 minute								
User input to logic (optical) and frame ground											
Group to group											
Point to point			None								
LED indicators			One LED per point shows individual point ON/OFF status OK LED indicates backplane power is present								
Backplane current consumption			5 V output: 110 mA maximum								
External power supply			None								
Thermal derating			Refer to associated diagram								
<i>Compatibility</i>	<i>Cimplicity ME</i>	<i>VersaPro</i>	<i>Control 90</i>	<i>CPU 001</i>	<i>CPU 002</i>	<i>CPU 005</i>	<i>CPU E05</i>	<i>DBI 001</i>	<i>EBI 001</i>	<i>GBI 001</i>	<i>PBI 001</i>
<i>HW,FW vers. FW release</i>	2.11	1.0	2.2	AA 1.0	AA 1.5	AA 2.1	AA 2.1	AA 1.1	AA 1.0	AA 1.0	AA 1.0
<b>Input Characteristics</b>											
Input voltage			0 to 132 V AC (47 to 63Hz), 120 V AC nominal								
On state voltage			70 to 132 V AC								
Off state voltage			0 to 20 V AC								
On state current			5 mA minimum								
Off state current			2.5 mA maximum								
On response time			1 cycle maximum								
Off response time			2 cycles maximum								
Input impedance			8.6 k $\Omega$ (reactive) at 60Hz, typical 10.32 k $\Omega$ (reactive) at 50Hz, typical								



**IC200MDL240**  
**Input Module, 120 V AC 16 Points**

**Field Wiring**

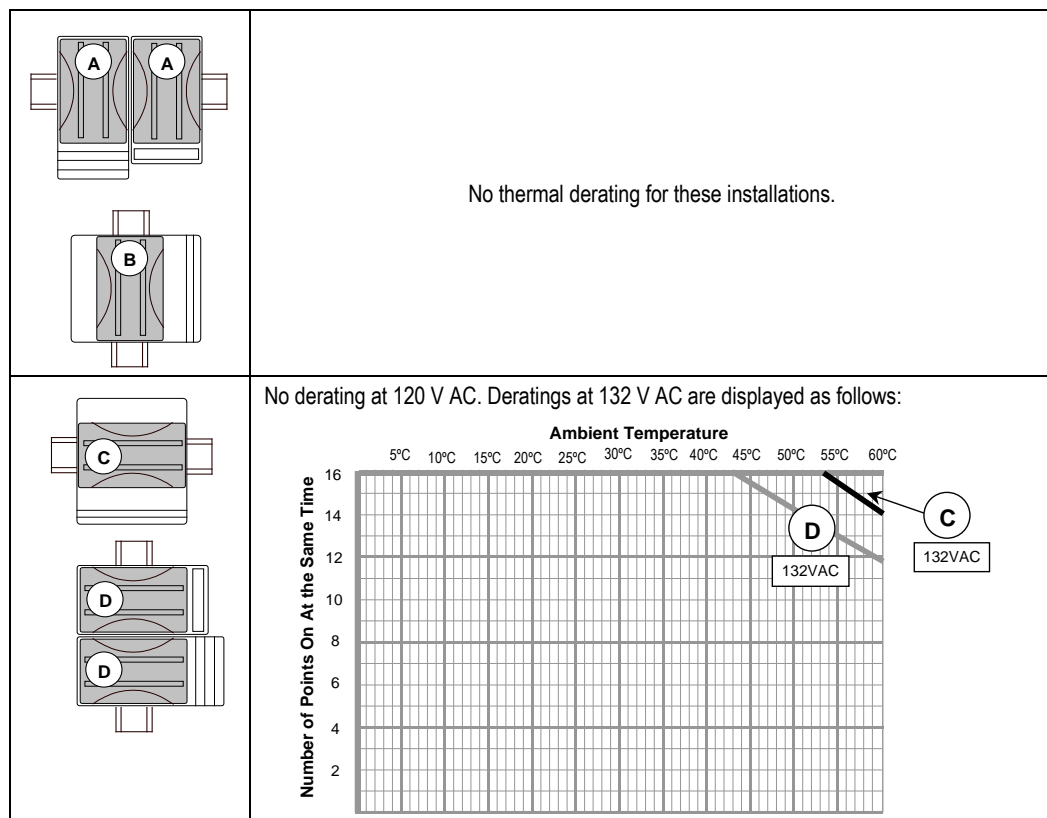
Terminal	Connection	Terminal	Connection
A1	Input 1	B1	Input 9
A2	Input 2	B2	Input 10
A3	Input 3	B3	Input 11
A4	Input 4	B4	Input 12
A5	Input 5	B5	Input 13
A6	Input 6	B6	Input 14
A7	Input 7	B7	Input 15
A8	Input 8	B8	Input 16
A9	No connection	B9	No connection
A10	No connection	B10	No connection
A11	No connection	B11	No connection
A12	No connection	B12	No connection
A13	No connection	B13	No connection
A14	No connection	B14	No connection
A15	No connection	B15	No connection
A16	No connection	B16	No connection
A17	Inputs 1-8 Common (Return)	B17	Inputs 9-16 Common (Return)
A18	No connection	B18	No connection



**IC200MDL240**  
**Input Module, 120 V AC 16 Points**

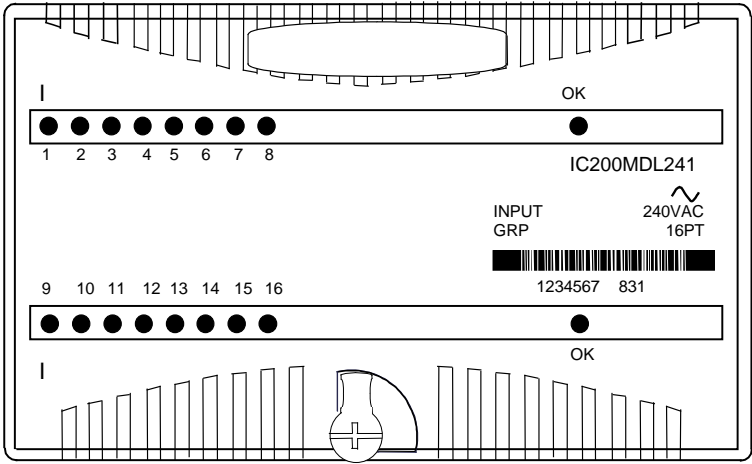
### Thermal Derating

The number of points that can be on at the same time depends on the ambient temperature, the external voltage, and the orientation of the module and DIN rail.



**IC200MDL241**  
**Input Module, 240 V AC 16 Points**

Discrete Input Module IC200MDL241 provides two groups of 8 discrete inputs. Inputs are positive logic or sourcing-type inputs; they receive current from AC input devices and return the current on the common. Input devices are connected between the input terminals and common terminals.



Power for module operation comes from the backplane.  
Intelligent processing for the module is performed by the CPU or NIU. The module provides 16 bits of discrete input data.

**LED Indicators**

Individual green LEDs indicate the on/off state of each input point.  
The green OK LED is ON when backplane power is present to the module.

**IC200MDL241**  
**Input Module, 240 V AC 16 Points**

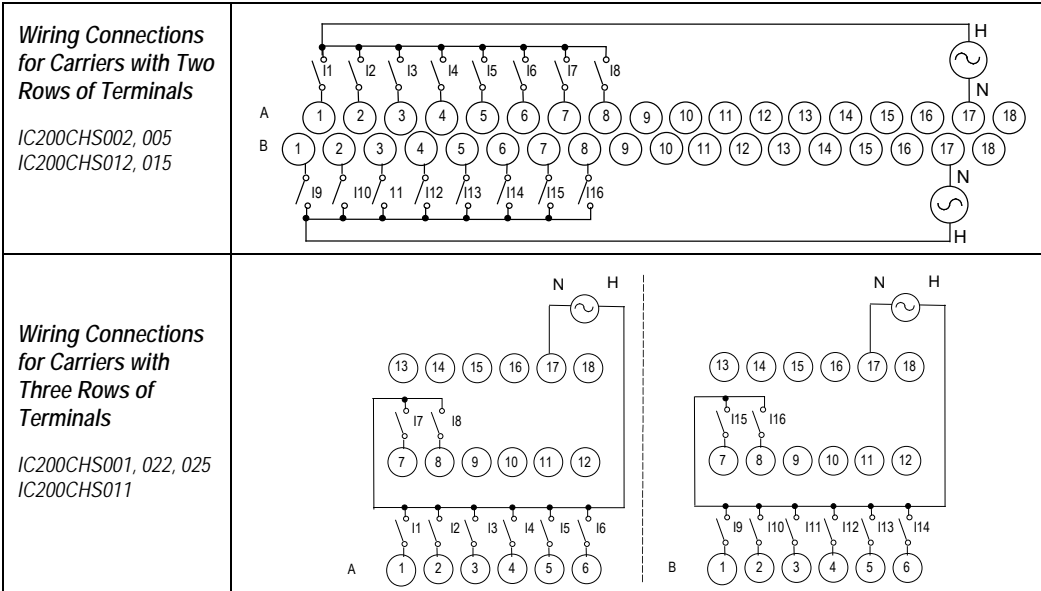
### Module Specifications

<b>Module Characteristics</b>											
Points			16 inputs (2 groups of 8)								
Module ID			88048804								
Isolation:											
User input to logic (optical) and frame ground			250 V AC continuous; 1500 V AC for 1 minute								
Group to group			250 V AC continuous; 1500 V AC for 1 minute								
Point to point			None								
LED indicators			One LED per point shows individual point ON/OFF status OK LED indicates backplane power is present								
Backplane current consumption			5 V output: 110 mA maximum								
External power supply			None								
Thermal derating			Refer to associated diagram.								
<i>Compatibility</i>	<i>Cimplicity ME</i>	<i>VersaPro</i>	<i>Control 90</i>	<i>CPU 001</i>	<i>CPU 002</i>	<i>CPU 005</i>	<i>CPU E05</i>	<i>DBI 001</i>	<i>EBI 001</i>	<i>GBI 001</i>	<i>PBI 001</i>
<i>HW,FW vers. FW release</i>	2.11	1.0	2.2	AA 1.0	AA 1.5	AA 2.1	AA 2.1	AA 1.1	AA 1.0	AA 1.0	AA 1.0
<b>Input Characteristics</b>											
Input voltage			0 to 264 V AC (47 to 63Hz), 240 V AC nominal								
On state voltage			155 to 264 V AC								
Off state voltage			0 to 40 V AC								
On state current			7 mA minimum								
Off state current			1.5 mA maximum								
On response time			1 cycle maximum								
Off response time			2 cycles maximum								
Input impedance			38.5 k $\Omega$ (reactive) at 60Hz, typical 46.3 k $\Omega$ (reactive) at 50Hz, typical								

**IC200MDL241**  
**Input Module, 240 V AC16 Points**

*Field Wiring*

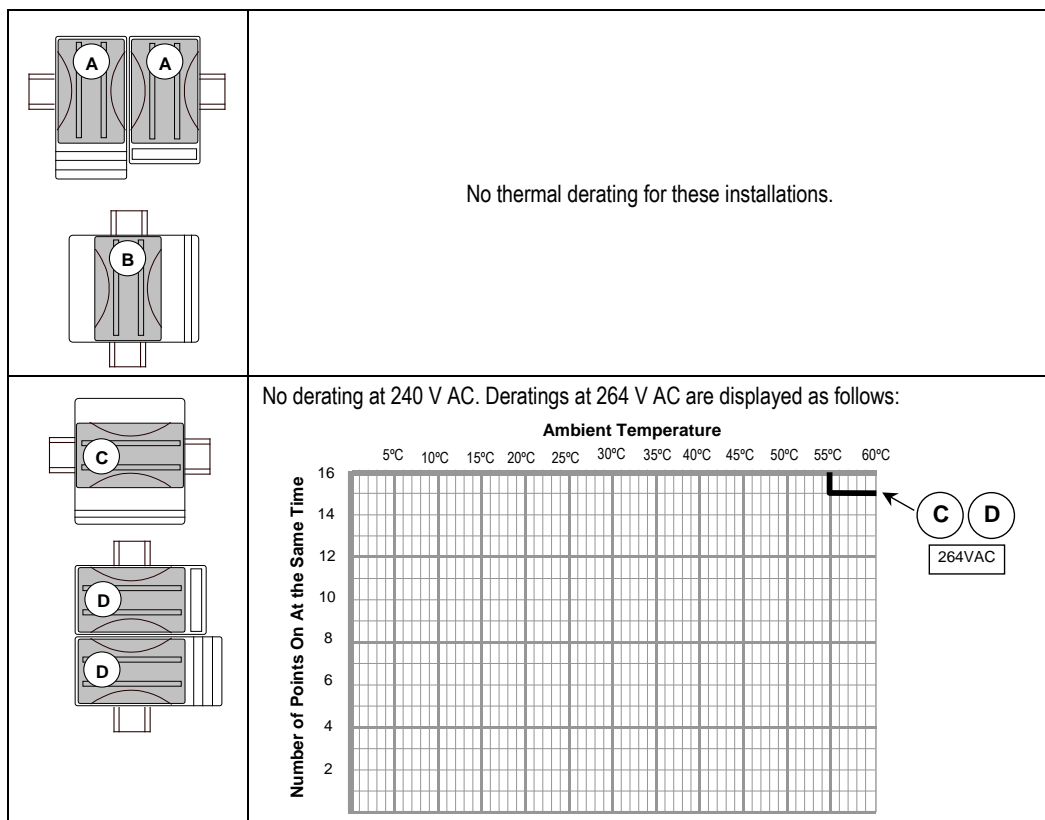
Terminal	Connection	Terminal	Connection
A1	Input 1	B1	Input 9
A2	Input 2	B2	Input 10
A3	Input 3	B3	Input 11
A4	Input 4	B4	Input 12
A5	Input 5	B5	Input 13
A6	Input 6	B6	Input 14
A7	Input 7	B7	Input 15
A8	Input 8	B8	Input 16
A9	No connection	B9	No connection
A10	No connection	B10	No connection
A11	No connection	B11	No connection
A12	No connection	B12	No connection
A13	No connection	B13	No connection
A14	No connection	B14	No connection
A15	No connection	B15	No connection
A16	No connection	B16	No connection
A17	Inputs 1-8 Common (Return)	B17	Inputs 9-16 Common (Return)
A18	No connection	B18	No connection



**IC200MDL241**  
**Input Module, 240 V AC 16 Points**

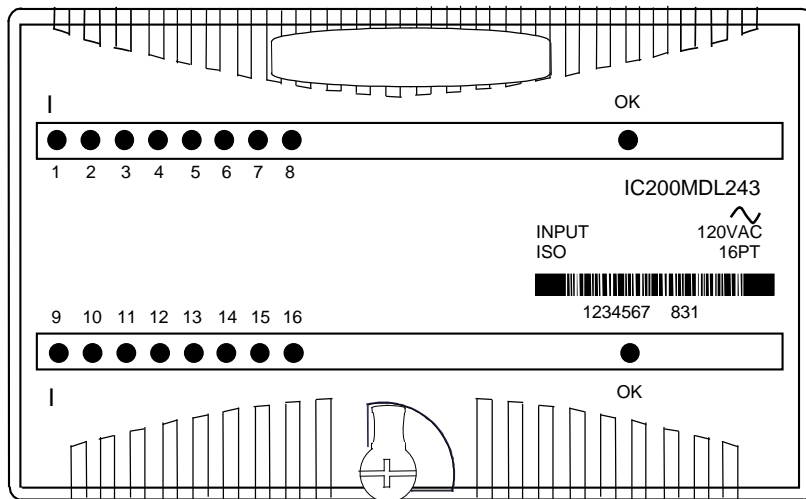
### Thermal Derating

The number of points that can be on at the same time depends on the ambient temperature, the external voltage, and the orientation of the module and DIN rail.



**IC200MDL243**  
**Input Module, 120 V AC Isolated 16 Points**

Discrete input module IC200MDL243 provides 16 isolated input points. Inputs are positive logic or sourcing-type inputs; they receive current from AC input devices and return the current on the common. Each input has its own return.



Power for module operation comes from the backplane. Intelligent processing for the module is performed by the CPU or NIU. The module provides 16 bits of discrete input data.

**LED Indicators**

Individual green LEDs indicate the on/off state of each input point. The green OK LED is ON when backplane power is present to the module.

**IC200MDL243**  
**Input Module, 120 V AC Isolated 16 Points**

### Module Specifications

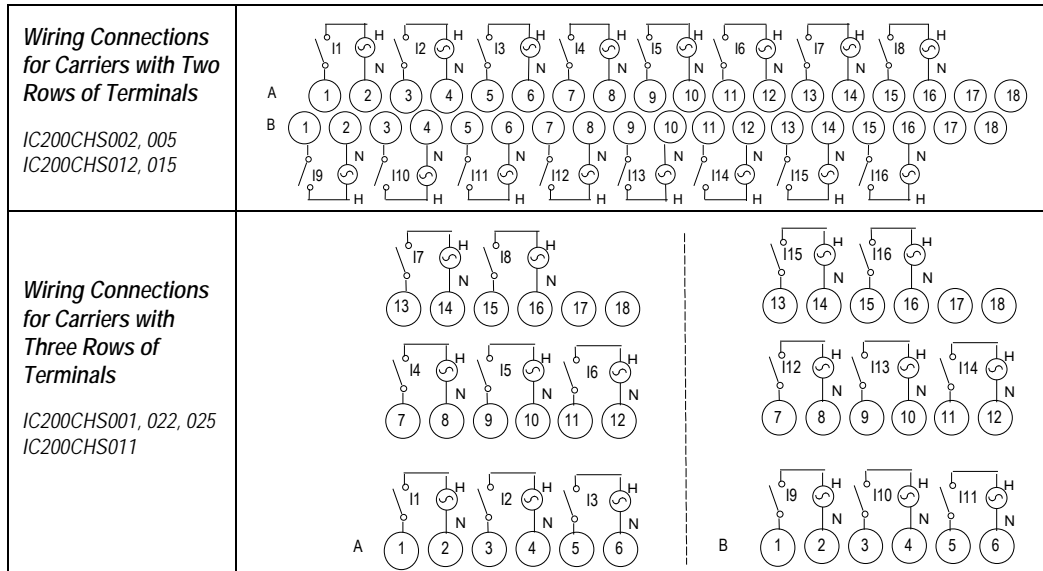
<b>Module Characteristics</b>											
Points	16 Isolated Inputs										
Module ID	88048804										
Isolation:	250 V AC continuous; 1500 V AC for 1 minute										
User input to logic (optical) and frame ground	250 V AC continuous; 1500 V AC for 1 minute										
Group to group	Not applicable										
Point to point	250 V AC continuous; 1500 V AC for 1 minute										
LED indicators	One LED per point shows individual point ON/OFF status OK LED indicates backplane power is present										
Backplane current consumption	5 V output: 100 mA maximum										
External power supply	None										
Thermal derating	Refer to associated diagram										
<i>Compatibility</i>	<i>Cimplicity ME</i>	<i>VersaPro</i>	<i>Control 90</i>	<i>CPU 001</i>	<i>CPU 002</i>	<i>CPU 005</i>	<i>CPU E05</i>	<i>DBI 001</i>	<i>EBI 001</i>	<i>GBI 001</i>	<i>PBI 001</i>
<i>HW,FW vers. FW release</i>	2.11	1.5	2.4	AA 1.0	AA 1.5	AA 2.1	AA 2.1	AA 1.1	AA 1.0	AA 1.0	AA 1.0
<b>Input Characteristics</b>											
Input voltage	0 to 132 V AC (47 to 63Hz), 120 V AC nominal										
On state voltage	70 to 132 V AC										
Off state voltage	0 to 20 V AC										
On state current	5 mA minimum										
Off state current	2.5 mA maximum										
On response time	1 cycle maximum										
Off response time	2 cycles maximum										
Input impedance	8.6 k $\Omega$ (reactive) at 60Hz, typical 10.32 k $\Omega$ (reactive) at 50Hz, typical										



**IC200MDL243**  
**Input Module, 120 V AC Isolated 16 Points**

**Field Wiring**

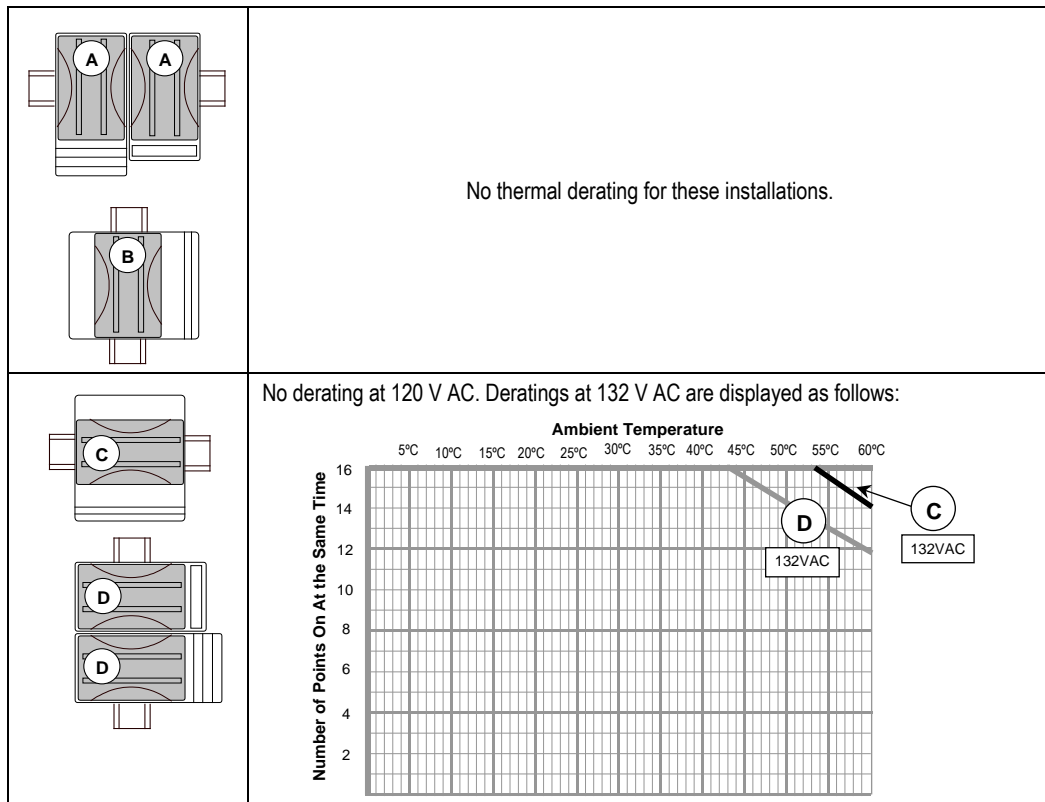
Terminal	Connection	Terminal	Connection
A1	Input 1	B1	Input 9
A2	Input 1 Return	B2	Input 9 Return
A3	Input 2	B3	Input 10
A4	Input 2 Return	B4	Input 10 Return
A5	Input 3	B5	Input 11
A6	Input 3 Return	B6	Input 11 Return
A7	Input 4	B7	Input 12
A8	Input 4 Return	B8	Input 12 Return
A9	Input 5	B9	Input 13
A10	Input 5 Return	B10	Input 13 Return
A11	Input 6	B11	Input 14
A12	Input 6 Return	B12	Input 14 Return
A13	Input 7	B13	Input 15
A14	Input 7 Return	B14	Input 15 Return
A15	Input 8	B15	Input 16
A16	Input 8 Return	B16	Input 16 Return
A17	No connection	B17	No connection
A18	No connection	B18	No connection



**IC200MDL243**  
**Input Module, 120 V AC Isolated 16 Points**

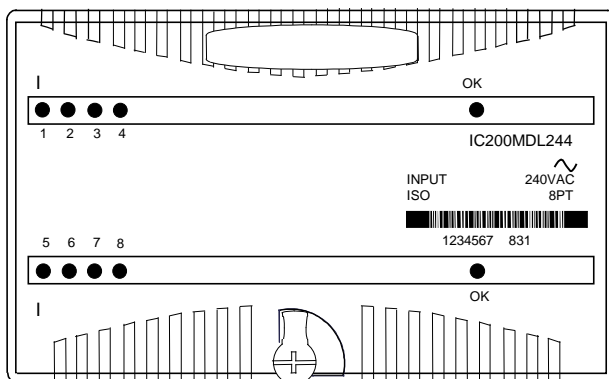
### Thermal Derating

The number of points that can be on at the same time depends on the ambient temperature, the external voltage, and the orientation of the module and DIN rail.



**IC200MDL244**  
**Input Module, 240 V AC Isolated 8 Points**

Discrete Input Module IC200MDL244 provides 8 isolated discrete inputs. Inputs are positive logic or sourcing-type inputs; they receive current from AC input devices and return the current on the common. Input devices are connected between the input terminals and common terminals.



Power for module operation comes from the backplane.

Intelligent processing for the module is performed by the CPU or NIU. The module provides 8 bits of discrete input data (4 bits per card).

**LED Indicators**

Individual green LEDs indicate the on/off state of each input point.

The green OK LED is ON when backplane power is present to the module.

**IC200MDL244**  
**Input Module, 240 V AC Isolated 8 Points**

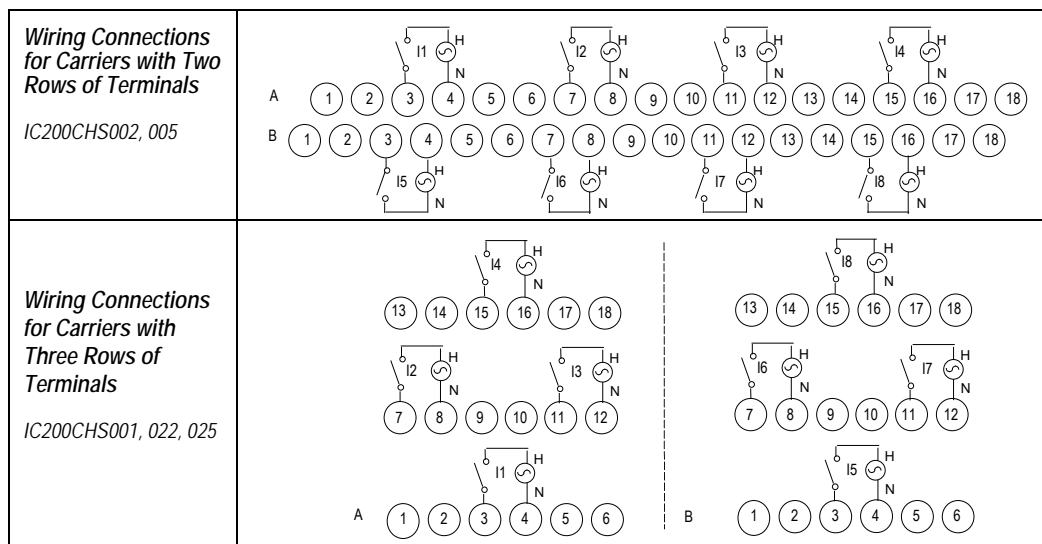
### Module Specifications

<b>Module Characteristics</b>											
Points		8 Isolated Inputs									
Module ID		88028802									
Isolation:											
User input to logic (optical) and frame ground		500 V AC continuous; 2000 V AC for 1 minute									
Group to group		None									
Point to point		500 V AC continuous; 2000 V AC for 1 minute									
Carrier Requirement		Requires Box-Style, Barrier-Style or Spring-Style Carrier, revision B or later. Cannot be used with Connector-Style Carrier.									
LED indicators		One LED per point shows individual point ON/OFF status OK LED indicates backplane power is present									
Backplane current consumption		5 V output: 60 mA maximum									
External power supply		None									
Thermal derating		None									
Compatibility	Cimplicity ME	VersaPro	Control 90	CPU 001	CPU 002	CPU 005	CPU E05	DBI 001	EBI 001	GBI 001	PBI 001
HW,FW vers. FW release	2.11	1.5	2.4	AA 1.0	AA 1.5	AA 2.1	AA 2.1	AA 1.1	AA 1.0	AA 1.0	AA 1.0
<b>Input Characteristics</b>											
Input voltage		0 to 264 V AC (47 to 63Hz), 240 V AC nominal									
On state voltage		155 to 264 V AC									
Off state voltage		0 to 40 V AC									
On state current		7 mA minimum									
Off state current		1.5 mA maximum									
On response time		1 cycle maximum									
Off response time		2 cycles maximum									
Input impedance		38.5 kΩ (reactive) at 60Hz, typical 46.3 kΩ (reactive) at 50Hz, typical									

**IC200MDL244**  
**Input Module, 240 V AC Isolated 8 Points**

**Field Wiring**

Terminal	Connection	Terminal	Connection
A1	No connection	B1	No connection
A2	No connection	B2	No connection
A3	Input 1	B3	Input 5
A4	Input 1 Return	B4	Input 5 Return
A5	No connection	B5	No connection
A6	No connection	B6	No connection
A7	Input 2	B7	Input 6
A8	Input 2 Return	B8	Input 6 Return
A9	No connection	B9	No connection
A10	No connection	B10	No connection
A11	Input 3	B11	Input 7
A12	Input 3 Return	B12	Input 7 Return
A13	No connection	B13	No connection
A14	No connection	B14	No connection
A15	Input 4	B15	Input 8
A16	Input 4 Return	B16	Input 8 Return
A17	No connection	B17	No connection
A18	No connection	B18	No connection

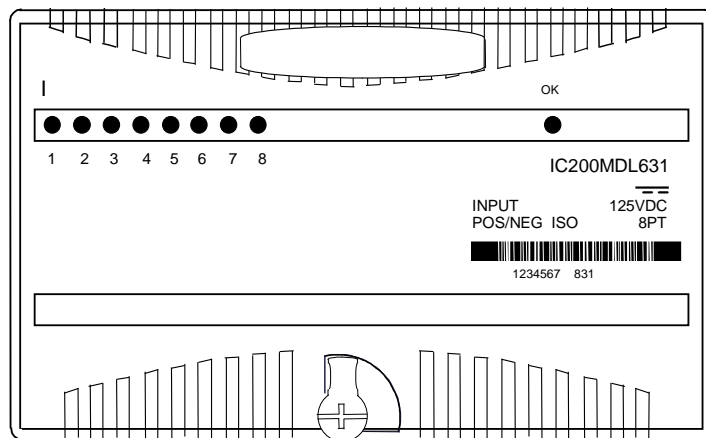


Module IC200MDL244 should be used with a compact terminal-style carrier (IC200CHS022 or 025) or with a terminal-style carrier (IC200CHS001, 002, 005 suffix "B" or higher). This module cannot be used with a Connector-Style Carrier (IC200CHS003) due to its high isolation requirement.

**IC200MDL631**

**Input Module, 125 V DC Pos/Neg Logic Isolated 8 Points**

Discrete input module IC200MDL631 provides 8 discrete isolated inputs. Inputs can be either positive logic inputs that receive current from input devices and return the current on the return, or negative-logic inputs that receive current from the return and return current to the input device. Input devices are connected between the input terminals and return terminals.



Power for module operation comes from the backplane.

Intelligent processing for this module is performed by the CPU or NIU. The module provides 8 bits of discrete input data.

### **LED Indicators**

Individual green LEDs indicate the on/off state of each input point. Backplane power must be present for LEDs to provide status of inputs.

The green OK LED is ON when backplane power is present to the module.

### **Configuration Parameters**

The module's basic input on/off response time is 0.5 ms.

For some applications, it may be preferable to add additional filtering to compensate for conditions such as noise spikes or switch bounce. Input filter times of 0ms, 1.0ms, or 7.0ms are selectable via software configuration, for total response times of 0.5ms, 1.5ms, and 7.5ms respectively. The default is 1.0ms filter time (total response time is 1.5ms).

**IC200MDL631**  
**Input Module, 125 V DC Pos/Neg Logic Isolated 8 Points**

**Module Specifications**

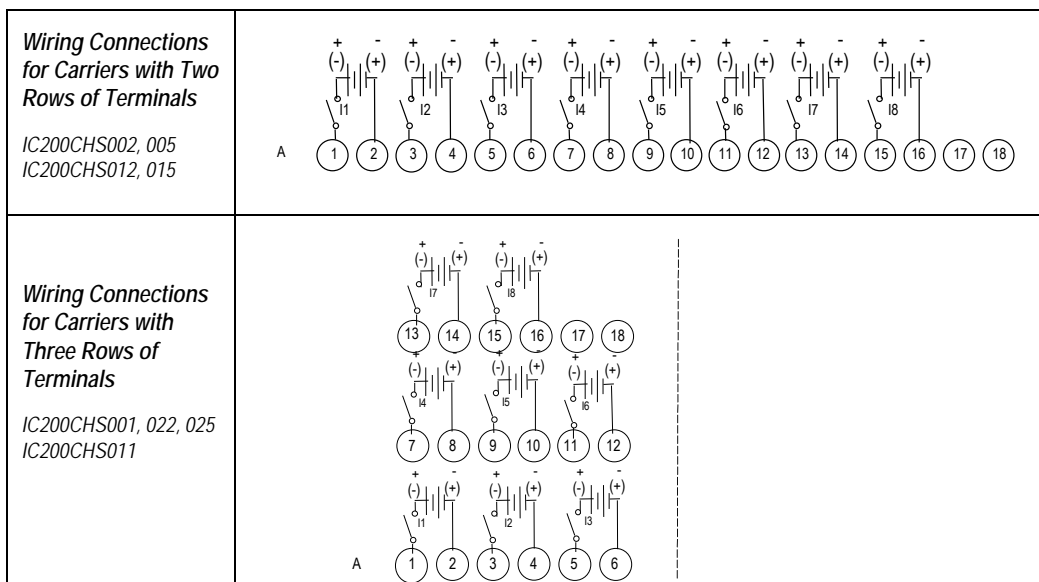
<b>Module Characteristics</b>											
Points		8 isolated inputs									
Module ID		FFFF8004									
Isolation:											
User input to logic (optical) and to frame ground		250 V AC continuous; 1500 V AC for 1 minute									
Point to point		250 V AC continuous; 1500 V AC for 1 minute									
LED indicators		One LED per point shows individual point ON/OFF status OK LED indicates backplane power is present									
Backplane current consumption		5 V output: 40 mA maximum									
External power supply		None									
Thermal derating		No derating									
Configuration parameters		Input response times									
<i>Compatibility</i>	<i>Cimplicity ME</i>	<i>VersaPro</i>	<i>Control 90</i>	<i>CPU 001</i>	<i>CPU 002</i>	<i>CPU 005</i>	<i>CPU E05</i>	<i>DBI 001</i>	<i>EBI 001</i>	<i>GBI 001</i>	<i>PBI 001</i>
<i>HW,FW vers. FW release</i>	2.11	1.5	2.4	AA 1.0	AA 1.5	AA 2.1	AA 2.1	AA 1.1	AA 1.0	AA 1.0	AA 1.0
<b>Input Characteristics</b>											
Input voltage		0 to +150 V DC, +125 V DC nominal									
User input current		1.7 mA typical at 125 V DC, 2.2mA typical at 150 V DC									
Input impedance		74KΩ typical at 125 V DC									
On state voltage		90 V DC to 150 V DC									
Off state voltage		0 V DC to 30 V DC									
On state current		1.0 mA minimum									
Off state current		0 to 0.1 mA maximum									
On response time		0.5ms maximum									
Off response time											
Configurable filter time		0ms, 1.0ms (default), or 7.0ms									

**IC200MDL631**  
**Input Module, 125 V DC Pos/Neg Logic Isolated 8 Points**

### Field Wiring

Terminal	Connection	Terminal	Connection
A1	Input 1	B1	No connection
A2	Input 1 return	B2	No connection
A3	Input 2	B3	No connection
A4	Input 2 return	B4	No connection
A5	Input 3	B5	No connection
A6	Input 3 return	B6	No connection
A7	Input 4	B7	No connection
A8	Input 4 return	B8	No connection
A9	Input 5	B9	No connection
A10	Input 5 return	B10	No connection
A11	Input 6	B11	No connection
A12	Input 6 return	B12	No connection
A13	Input 7	B13	No connection
A14	Input 7 return	B14	No connection
A15	Input 8	B15	No connection
A16	Input 8 return	B16	No connection
A17	No connection	B17	No connection
A18	No connection	B18	No connection

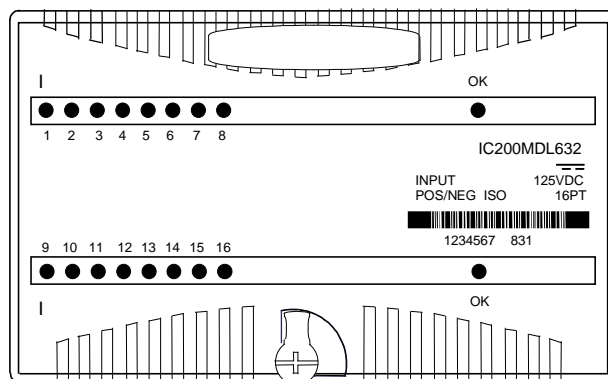
Using a shorting bar with this module eliminates the point-to-point isolation.





### *IC200MDL632* *Input Module, 125 V DC Pos/Neg Logic Isolated 16 Points*

Discrete input module IC200MDL632 provides 16 discrete isolated inputs. Inputs can be either positive logic inputs that receive current from input devices and return the current on the return, or negative-logic inputs that receive current from the return and return current to the input device. Input devices are connected between the input terminals and return terminals.



Power for module operation comes from the backplane.

Intelligent processing for this module is performed by the CPU or NIU. The module provides 16 bits of discrete input data.

#### *LED Indicators*

Individual green LEDs indicate the on/off state of each input point. Backplane power must be present for LEDs to provide status of inputs.

The green OK LED is ON when backplane power is present to the module.

#### *Configuration Parameters*

The module's basic input on/off response time is 0.5ms.

For some applications, it may be preferable to add additional filtering to compensate for conditions such as noise spikes or switch bounce. Input filter times of 0ms, 1.0ms, or 7.0ms are selectable via software configuration, for total response times of 0.5ms, 1.5ms, and 7.5ms respectively. The default is 1.0ms filter time (total response time is 1.5ms).

**IC200MDL632**

**Input Module, 125 V DC Pos/Neg Logic Isolated 16 Points**

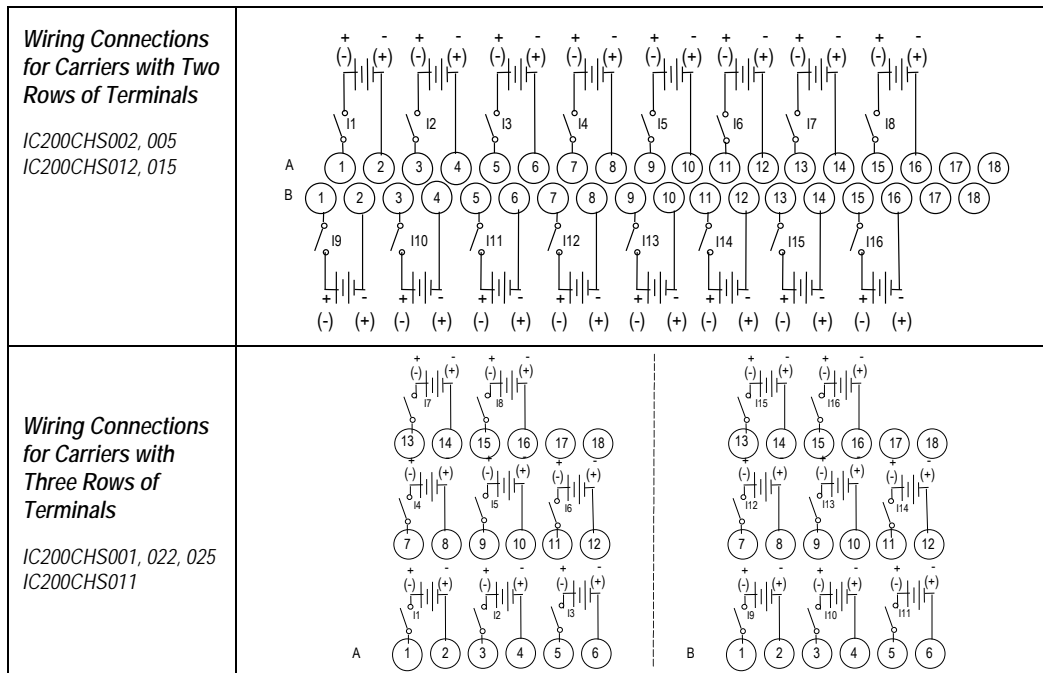
### Module Specifications

<b>Module Characteristics</b>											
Points	16 isolated inputs										
Module ID	80048004										
Isolation:	250 V AC continuous; 1500 V AC for 1 minute										
User input to logic (optical) and to frame ground	250 V AC continuous; 1500 V AC for 1 minute										
Point to point											
LED indicators	One LED per point shows individual point ON/OFF status OK LED indicates backplane power is present										
Backplane current consumption	5 V output: 80 mA maximum										
External power supply	None										
Thermal derating	Refer to associated diagram										
Configuration parameters	Input response times										
<i>Compatibility</i>	<i>Cimplicity ME</i>	<i>VersaPro</i>	<i>Control 90</i>	<i>CPU 001</i>	<i>CPU 002</i>	<i>CPU 005</i>	<i>CPU E05</i>	<i>DBI 001</i>	<i>EBI 001</i>	<i>GBI 001</i>	<i>PBI 001</i>
<i>HW,FW vers. FW release</i>	2.11	1.5	2.4	AA 1.0	AA 1.5	AA 2.1	AA 2.1	AA 1.1	AA 1.0	AA 1.0	AA 1.0
<b>Input Characteristics</b>											
Input voltage	0 to 150 V DC, 125 V DC nominal										
User input current	1.7mA typical at 125 V DC, 2.2mA typical at 150 V DC										
Input impedance	74 kΩ typical at 125 V DC										
On state voltage	90 V DC to 150 V DC										
Off state voltage	0 V DC to 30 V DC										
On state current	1.0 mA minimum										
Off state current	0 to 0.1 mA maximum										
On response time	0.5ms maximum										
Off response time											
Configurable filter time	0 ms, 1.0ms (default), or 7.0ms										

**IC200MDL632**  
**Input Module, 125 V DC Pos/Neg Logic Isolated 16 Points**

*Field Wiring*

Terminal	Connection	Terminal	Connection
A1	Input 1	B1	Input 9
A2	Input 1 return	B2	Input 9 return
A3	Input 2	B3	Input 10
A4	Input 2 return	B4	Input 10 return
A5	Input 3	B5	Input 11
A6	Input 3 return	B6	Input 11 return
A7	Input 4	B7	Input 12
A8	Input 4 return	B8	Input 12 return
A9	Input 5	B9	Input 13
A10	Input 5 return	B10	Input 13 return
A11	Input 6	B11	Input 14
A12	Input 6 return	B12	Input 14 return
A13	Input 7	B13	Input 15
A14	Input 7 return	B14	Input 15 return
A15	Input 8	B15	Input 16
A16	Input 8 return	B16	Input 16 return
A17	no connection	B17	no connection
A18	no connection	B18	no connection

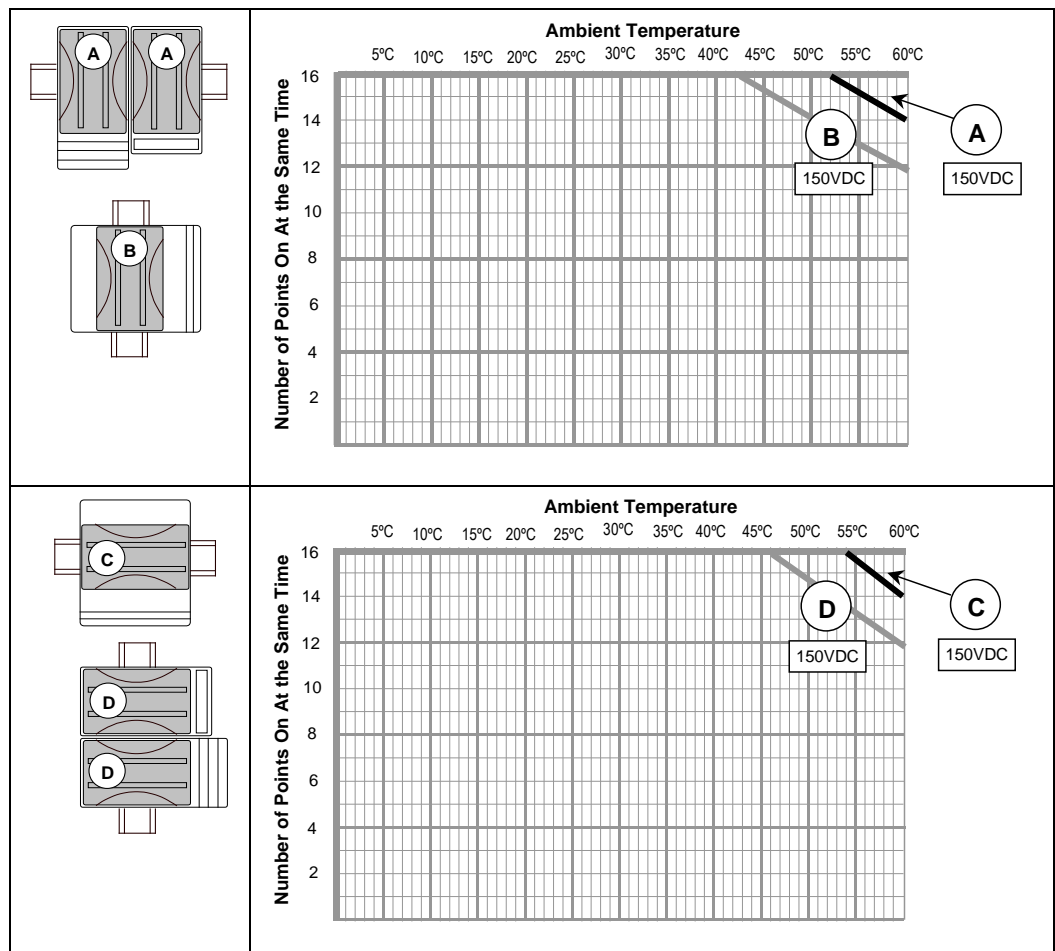


**IC200MDL632**  
**Input Module, 125 V DC Pos/Neg Logic Isolated 16 Points**

### Thermal Derating

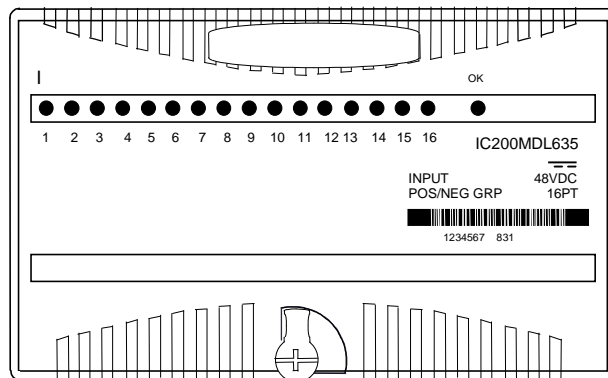
The number of points that can be on at the same time depends on the ambient temperature, the external voltage, and the orientation of the module and DIN rail.

There is no derating at 125 V DC. Deratings at 150 V DC are displayed as follows:



### **IC200MDL635** **Input Module, 48 V DC Pos/Neg Logic Grouped 16 Points**

Discrete input module IC200MDL635 provides two groups of 8 discrete inputs. Inputs in each group can be either positive logic inputs that receive current from input devices and return the current on the common, or negative-logic inputs that receive current from the common and return current to the input device. Input devices are connected between the input terminals and common terminals.



Power for module operation comes from the backplane.

Intelligent processing for this module is performed by the CPU or NIU. The module provides 16 bits of discrete input data.

#### **LED Indicators**

Individual green LEDs indicate the on/off state of each input point. Backplane power must be present for LEDs to provide status of inputs.

The green OK LED is ON when backplane power is present to the module.

#### **Configuration Parameters**

The module's basic input on/off response time is 0.5 ms.

For some applications, it may be preferable to add additional filtering to compensate for conditions such as noise spikes or switch bounce. Input filter times of 0ms, 1.0ms, or 7.0ms are selectable via software configuration, for total response times of 0.5ms, 1.5ms, and 7.5ms respectively. The default is 1.0ms filter time (total response time is 1.5ms).

**IC200MDL635**  
**Input Module, 48 V DC Pos/Neg Logic Grouped 16 Points**

### Module Specifications

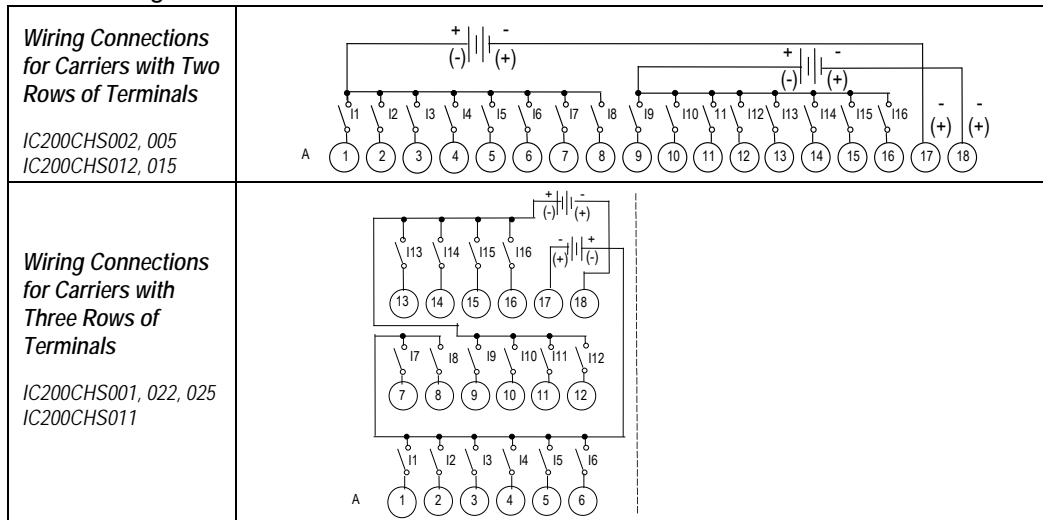
<b>Module Characteristics</b>											
Points			16 inputs (2 groups of 8)								
Module ID			FFFF8008								
Isolation:			250 V AC continuous; 1500 V AC for 1 minute								
User input to logic (optical) and to frame ground											
Group to Group											
Point to point			None								
LED indicators			One LED per point shows individual point ON/OFF status OK LED indicates backplane power is present								
Backplane current consumption			5 V output: 70 mA maximum								
External power supply			None								
Thermal derating			No derating								
Configuration parameters			Input response times								
<i>Compatibility</i>	<i>Cimplicity ME</i>	<i>VersaPro</i>	<i>Control 90</i>	<i>CPU 001</i>	<i>CPU 002</i>	<i>CPU 005</i>	<i>CPU E05</i>	<i>DBI 001</i>	<i>EBI 001</i>	<i>GBI 001</i>	<i>PBI 001</i>
<i>HW,FW vers. FW release</i>	2.11	1.5	2.4	AA 1.0	AA 1.5	AA 2.1	AA 2.1	AA 1.1	AA 1.0	AA 1.0	AA 1.0
<b>Input Characteristics</b>											
Input voltage			0 to 60 V DC, 48 V DC nominal								
User input current			1.7mA typical at 48 V DC, 2.1mA typical at 60 V DC								
Input impedance			28 K $\Omega$ typical								
On state voltage			34 V DC to 60 V DC								
Off state voltage			0 V DC to 10DC								
On state current			1.0 mA minimum								
Off state current			0 to 0.4 mA maximum								
On response time			0.5ms maximum								
Off response time											
Configurable filter time			0ms, 1.0ms (default), or 7.0ms								

**IC200MDL635**  
**Input Module, 48 V DC Pos/Neg Logic Grouped 16 Points**

*Field Wiring*

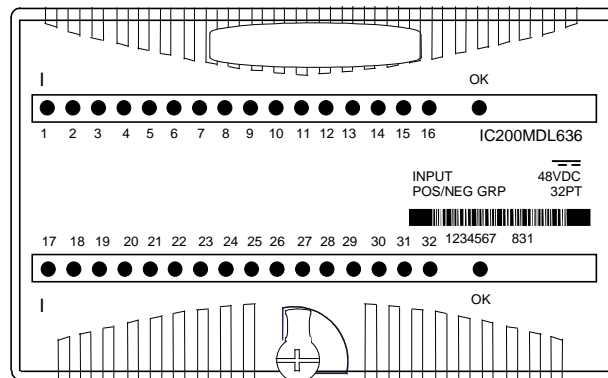
Terminal	Connection	Terminal	Connection
A1	Input 1	B1	No connection
A2	Input 2	B2	No connection
A3	Input 3	B3	No connection
A4	Input 4	B4	No connection
A5	Input 5	B5	No connection
A6	Input 6	B6	No connection
A7	Input 7	B7	No connection
A8	Input 8	B8	No connection
A9	Input 9	B9	No connection
A10	Input 10	B10	No connection
A11	Input 11	B11	No connection
A12	Input 12	B12	No connection
A13	Input 13	B13	No connection
A14	Input 14	B14	No connection
A15	Input 15	B15	No connection
A16	Input 16	B16	No connection
A17	Inputs 1-8 Common	B17	No connection
A18	Inputs 9-16 Common	B18	No connection

The 16 inputs form two groups of 8. Each group has a common connection. Each group may be wired for positive or negative logic inputs. If additional bussed terminals are needed, the B terminals can be made available using a shorting bar. The shorting bar has a maximum current-carrying capacity of 2 Amps per point. Refer to chapter 2 for additional information about using the shorting bar.



**IC200MDL636**  
**Input Module, 48 V DC Pos/Neg Logic Grouped 32 Points**

Discrete input module IC200MDL636 provides four groups of 8 discrete inputs. Inputs in each group can be either positive logic inputs that receive current from input devices and return the current on the common, or negative-logic inputs that receive current from the common and return current to the input device. Input devices are connected between the input terminals and common terminals.



Power for module operation comes from the backplane.

Intelligent processing for this module is performed by the CPU or NIU. The module provides 32 bits of discrete input data.

### **LED Indicators**

Individual green LEDs indicate the on/off state of each input point. Backplane power must be present for LEDs to provide status of inputs.

The green OK LED is ON when backplane power is present to the module.

### **Configuration Parameters**

The module's basic input on/off response time is 0.5ms.

For some applications, it may be preferable to add additional filtering to compensate for conditions such as noise spikes or switch bounce. Input filter times of 0ms, 1.0ms, or 7.0ms are selectable via software configuration, for total response times of 0.5ms, 1.5ms, and 7.5ms respectively. The default is 1.0ms filter time (total response time is 1.5ms).



**IC200MDL636**  
**Input Module, 48 V DC Pos/Neg Logic Grouped 32 Points**

**Module Specifications**

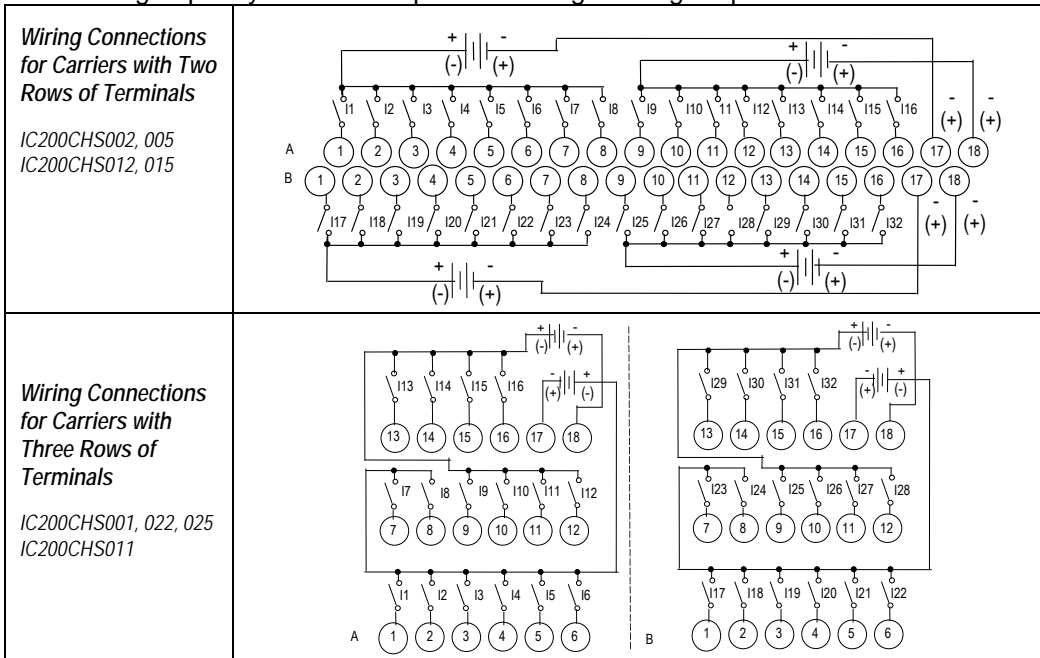
<b>Module Characteristics</b>											
Points	32 (4 groups of 8)										
Module ID	80088008										
Isolation:	250 V AC continuous; 1500 V AC for 1 minute										
User input to logic (optical) and to frame ground	250 V AC continuous; 1500 V AC for 1 minute										
Group to group	None										
Point to point											
LED indicators	One LED per point shows individual point ON/OFF status OK LED indicates backplane power is present										
Backplane current consumption	5 V output: 140 mA maximum										
External power supply	None										
Thermal derating	Refer to associated diagram										
Configuration parameters	Input response times										
<i>Compatibility</i>	<i>Cimplicity ME</i>	<i>VersaPro</i>	<i>Control 90</i>	<i>CPU 001</i>	<i>CPU 002</i>	<i>CPU 005</i>	<i>CPU E05</i>	<i>DBI 001</i>	<i>EBI 001</i>	<i>GBI 001</i>	<i>PBI 001</i>
<i>HW,FW vers. FW release</i>	2.11	1.5	2.4	AA 1.0	AA 1.5	AA 2.1	AA 2.1	AA 1.1	AA 1.0	AA 1.0	AA 1.0
<b>Input Characteristics</b>											
Input voltage	0 to 60 V DC, 48 V DC nominal										
User input current	1.7 mA typical at 48 V DC, 2.1mA typical at 60 V DC										
Input impedance	28KΩ typical										
On state voltage	34 V DC to 60 V DC										
Off state voltage	0 V DC to 10 V DC										
On state current	1.0 mA minimum										
Off state current	0 to 0.4 mA maximum										
On response time	0.5ms maximum										
Off response time											
Configurable filter time	0 ms, 1.0ms (default), or 7.0ms										

**IC200MDL636**  
**Input Module, 48 V DC Pos/Neg Logic Grouped 32 Points**

**Field Wiring**

Terminal	Connection	Terminal	Connection
A1	Input 1	B1	Input 17
A2	Input 2	B2	Input 18
A3	Input 3	B3	Input 19
A4	Input 4	B4	Input 20
A5	Input 5	B5	Input 21
A6	Input 6	B6	Input 22
A7	Input 7	B7	Input 23
A8	Input 8	B8	Input 24
A9	Input 9	B9	Input 25
A10	Input 10	B10	Input 26
A11	Input 11	B11	Input 27
A12	Input 12	B12	Input 28
A13	Input 13	B13	Input 29
A14	Input 14	B14	Input 30
A15	Input 15	B15	Input 31
A16	Input 16	B16	Input 32
A17	Inputs 1-8 Common	B17	Inputs 17-24 Common
A18	Inputs 9-16 Common	B18	Inputs 25-32 Common

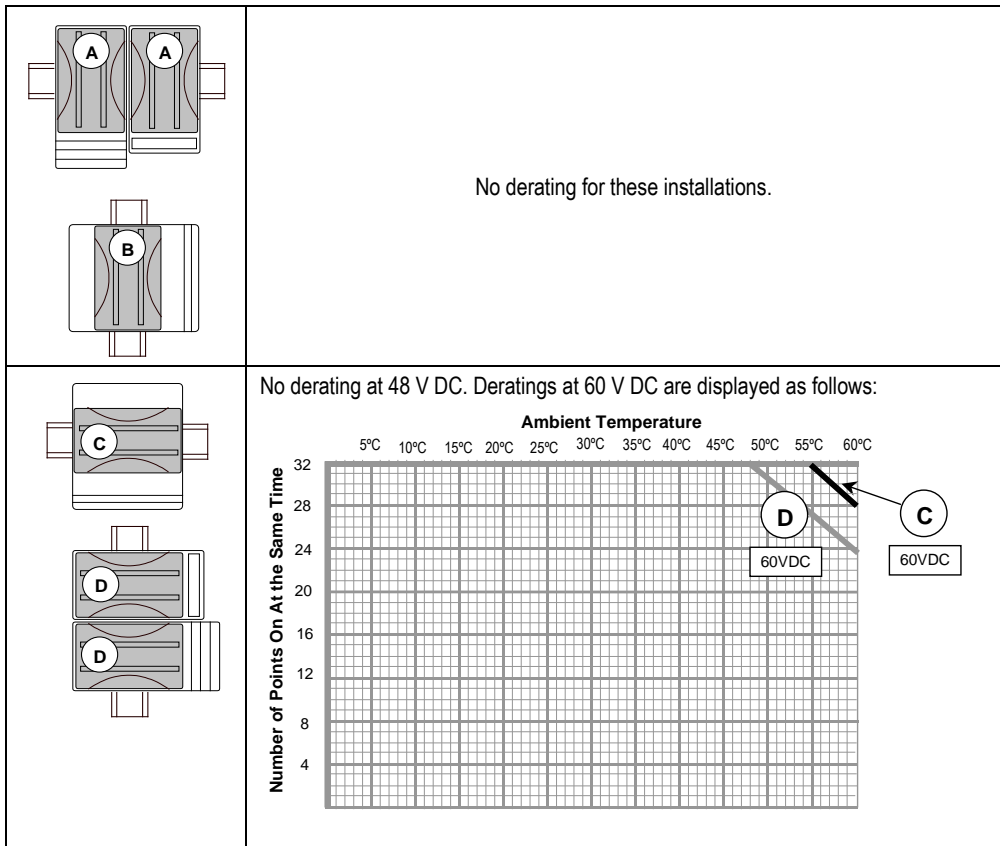
The 32 inputs form four groups of 8. Each group has a common connection. Each group may be wired for positive or negative logic inputs.



*IC200MDL636*  
*Input Module, 48 V DC Pos/Neg Logic Grouped 32 Points*

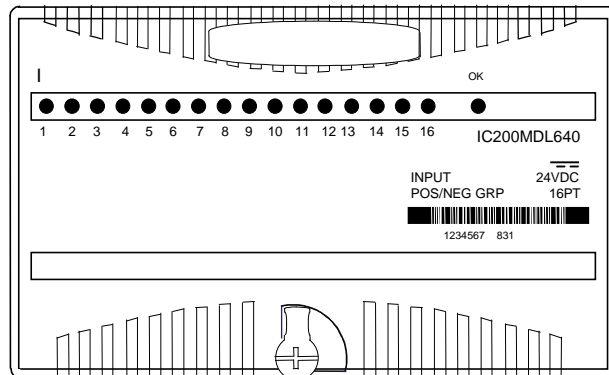
**Thermal Derating**

The number of points that can be on at the same time depends on the ambient temperature, the external voltage, and the orientation of the module and DIN rail.



**IC200MDL640**  
**Input Module, 24 V DC Pos/Neg Logic 16 Points**

Discrete input module IC200MDL640 provides two groups of 8 discrete inputs. Inputs in each group can be either positive logic inputs that receive current from input devices and return the current on the common, or negative-logic inputs that receive current from the common and return current to the input device. Input devices are connected between the input terminals and common terminals.



**Note:** Negative-logic functionality requires module version IC200MDL640C or higher.

Power for module operation comes from the backplane.

Intelligent processing for this module is performed by the CPU or NIU. The module provides 16 bits of discrete input data.

### **LED Indicators**

Individual green LEDs indicate the on/off state of each input point.

The green OK LED is ON when backplane power is present to the module.

### **Configuration Parameters**

The module's basic input on/off response time is 0.5ms.

For some applications, it may be preferable to add additional filtering to compensate for conditions such as noise spikes or switch bounce. Input filter times of 0ms, 1.0ms, or 7.0ms are selectable via software configuration, for total response times of 0.5ms, 1.5ms, and 7.5ms respectively. The default is 1.0ms filter time (total response time is 1.5ms).

**IC200MDL640**  
**Input Module, 24 V DC Pos/Neg Logic 16 Points**

*Module Specifications*

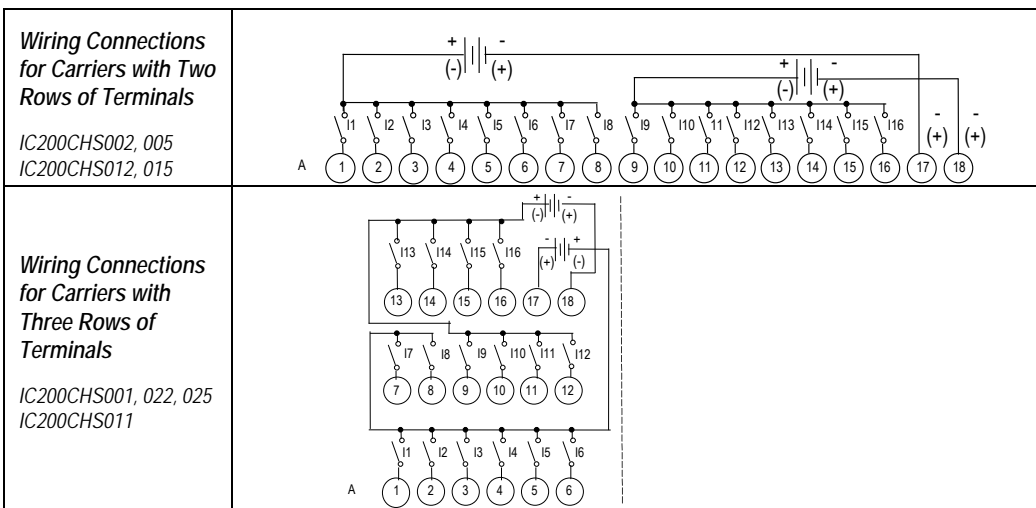
<b>Module Characteristics</b>											
Points		16 inputs (2 groups of 8)									
Module ID		FFFF8008									
Isolation:											
User input to logic (optical) and to frame ground		250 V AC continuous; 1500 V AC for 1 minute									
Group to Group		250 V AC continuous; 1500 V AC for 1 minute									
Point to point		None									
LED indicators		One LED per point shows individual point ON/OFF status OK LED indicates backplane power is present									
Backplane current consumption		5 V output: 25 mA maximum									
External power supply		None									
Thermal derating		No derating									
Configuration parameters		Input response times									
<i>Compatibility</i>	<i>Cimplicity ME</i>	<i>VersaPro</i>	<i>Control 90</i>	<i>CPU 001</i>	<i>CPU 002</i>	<i>CPU 005</i>	<i>CPU E05</i>	<i>DBI 001</i>	<i>EBI 001</i>	<i>GBI 001</i>	<i>PBI 001</i>
<i>HW,FW vers. FW release</i>	2.11	1.0	2.2	AA 1.0	AA 1.5	AA 2.1	AA 2.1	AA 1.1	AA 1.0	AA 1.0	AA 1.0
<b>Input Characteristics</b>											
Input voltage		0 to +30 V DC, +24 V DC nominal									
On state voltage		+15 to +30 V DC									
Off state voltage		0 to +5.0 V DC									
On state current		2.0 to 5.5 mA									
Off state current		0 to 0.5 mA									
On response time		0.5ms maximum									
Off response time											
Configurable filter time		0ms, 1.0ms (default), or 7.0ms									
Input impedance		10 kΩ maximum									

**IC200MDL640**  
**Input Module, 24 V DC Pos/Neg Logic 16 Points**

### Field Wiring

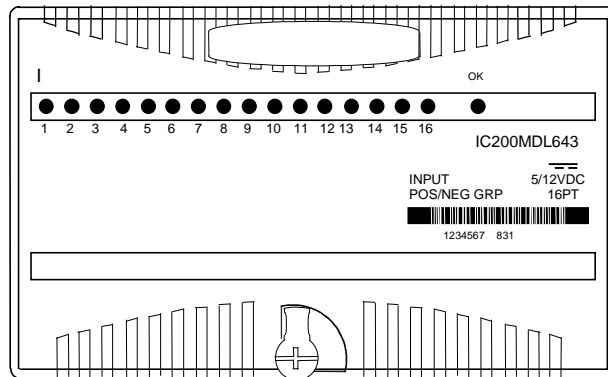
Terminal	Connection	Terminal	Connection
A1	Input 1	B1	No connection
A2	Input 2	B2	No connection
A3	Input 3	B3	No connection
A4	Input 4	B4	No connection
A5	Input 5	B5	No connection
A6	Input 6	B6	No connection
A7	Input 7	B7	No connection
A8	Input 8	B8	No connection
A9	Input 9	B9	No connection
A10	Input 10	B10	No connection
A11	Input 11	B11	No connection
A12	Input 12	B12	No connection
A13	Input 13	B13	No connection
A14	Input 14	B14	No connection
A15	Input 15	B15	No connection
A16	Input 16	B16	No connection
A17	Inputs 1-8 Common	B17	No connection
A18	Inputs 9-16 Common	B18	No connection

The inputs form two groups of 8. Each group has a common connection. Each group may be wired for positive or negative logic inputs. Note: Negative-logic functionality requires version IC200MDL640C or higher. If additional bussed terminals are needed, the B terminals can be made available by using a shorting bar. The shorting bar has a maximum current-carrying capacity of 2 Amps per point. Refer to chapter 2 for information about using the shorting bar.



### **IC200MDL643** **Input Module, 5/12 V DC Pos/Neg Logic Grouped 16 Points**

Discrete input module IC200MDL643 provides two groups of 8 discrete inputs. Inputs in each group can be either positive logic inputs that receive current from input devices and return the current on the common, or negative-logic inputs that receive current from the common and return current to the input device. Input devices are connected between the input terminals and common terminals. The module supports positive and negative logic inputs. For the inputs to be compatible with TTL devices, the negative logic configuration should be used.



Power for module operation comes from the backplane.

Intelligent processing for this module is performed by the CPU or NIU. The module provides 16 bits of discrete input data.

#### **LED Indicators**

Individual green LEDs indicate the on/off state of each input point. Backplane power must be present for LEDs to provide status of inputs.

The green OK LED is ON when backplane power is present to the module.

#### **Configuration Parameters**

The module's basic input on/off response time is 0.25 ms.

For some applications, it may be preferable to add additional filtering to compensate for conditions such as noise spikes or switch bounce. Input filter times of 0ms, 1.0ms, or 7.0ms are selectable via software configuration, for total response times of 0.25ms, 1.25ms, and 7.25ms respectively. The default is 1.0ms filter time (total response time is 1.25ms).

**IC200MDL643**

**Input Module, 5/12 V DC Pos/Neg Logic Grouped 16 Points**

**Module Specifications**

<b>Module Characteristics</b>											
Points			16 inputs (2 groups of 8)								
Module ID			FFFF8008								
Isolation:			250 V AC continuous; 1500 V AC for 1 minute								
User input to logic (optical) and to frame ground											
Group to Group											
Point to point			None								
LED indicators			One LED per point shows individual point ON/OFF status OK LED indicates backplane power is present								
Backplane current consumption			5 V output: 70 mA maximum								
External power supply			None								
Thermal derating			No derating								
Configuration parameters			Input response times								
<i>Compatibility</i>	<i>Cimplicity ME</i>	<i>VersaPro</i>	<i>Control 90</i>	<i>CPU 001</i>	<i>CPU 002</i>	<i>CPU 005</i>	<i>CPU E05</i>	<i>DBI 001</i>	<i>EBI 001</i>	<i>GBI 001</i>	<i>PBI 001</i>
<i>HW,FW vers. FW release</i>	2.11	1.5	2.4	AA 1.0	AA 1.5	AA 2.1	AA 2.1	AA 1.1	AA 1.0	AA 1.0	AA 1.0
<b>Input Characteristics</b>											
Input voltage			0 to +15 V DC, +5/12 V DC nominal								
User input current			1.8 mA typical at 5 V DC, 4.9 mA typical at 12 V DC								
Input impedance			2.4KΩ typical at 12 V DC								
On state voltage			+4.2 to +15 V DC								
Off state voltage			0 to +2.6 V DC								
On state current			1.45 mA minimum								
Off state current			0 to 0.7 mA maximum								
On response time			0.25ms maximum								
Off response time											
Configurable filter time			0ms, 1.0ms (default), or 7.0ms								

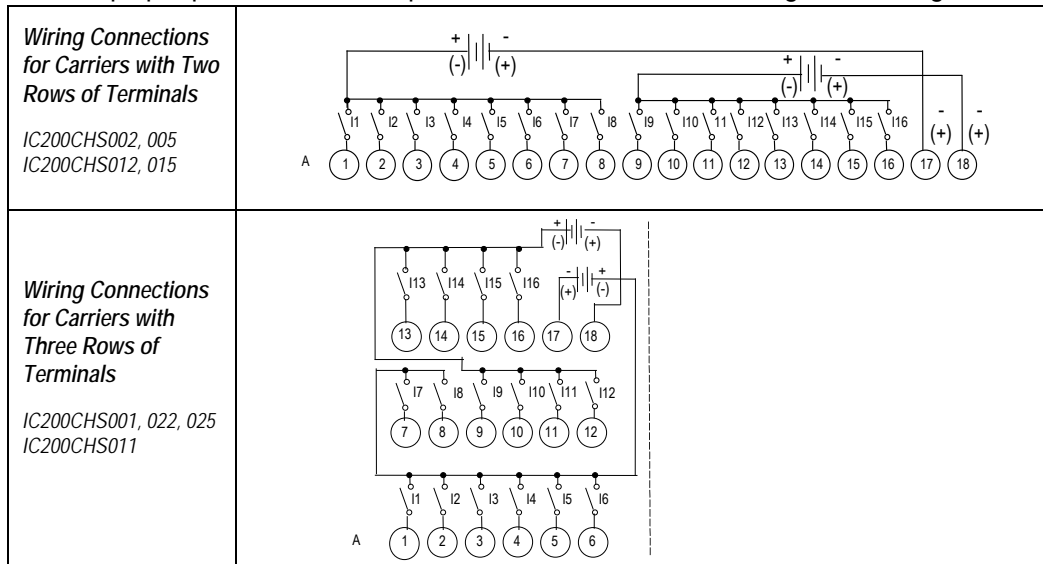


**IC200MDL643**  
**Input Module, 5/12 V DC Pos/Neg Logic Grouped 16 Points**

*Field Wiring*

Terminal	Connection	Terminal	Connection
A1	Input 1	B1	No connection
A2	Input 2	B2	No connection
A3	Input 3	B3	No connection
A4	Input 4	B4	No connection
A5	Input 5	B5	No connection
A6	Input 6	B6	No connection
A7	Input 7	B7	No connection
A8	Input 8	B8	No connection
A9	Input 9	B9	No connection
A10	Input 10	B10	No connection
A11	Input 11	B11	No connection
A12	Input 12	B12	No connection
A13	Input 13	B13	No connection
A14	Input 14	B14	No connection
A15	Input 15	B15	No connection
A16	Input 16	B16	No connection
A17	Inputs 1-8 Common	B17	No connection
A18	Inputs 9-16 Common	B18	No connection

The 16 inputs form two groups of 8. Each group has a common connection. Each group may be wired for positive or negative logic inputs. If additional bussed terminals are needed, the B terminals can be made available by using a shorting bar. The shorting bar has a maximum current-carrying capacity of 2 Amps per point. Refer to chapter 2 for information about using the shorting bar.

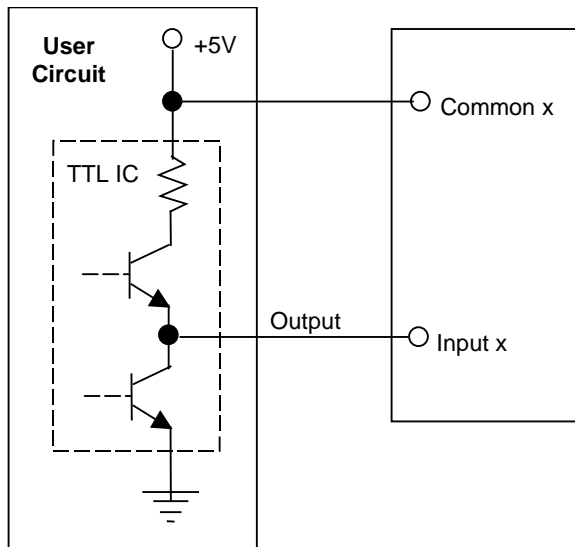


*IC200MDL643*

*Input Module, 5/12 V DC Pos/Neg Logic Grouped 16 Points*

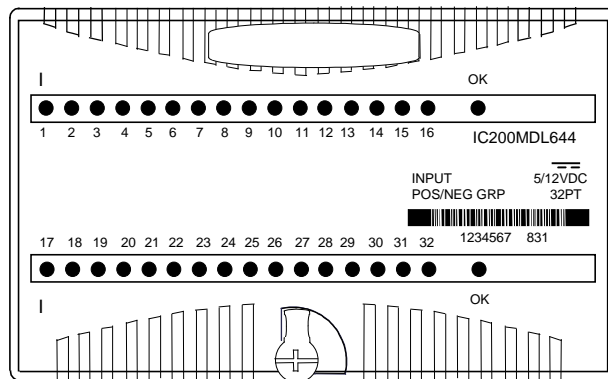
### *Wiring for TTL Inputs*

To be compatible with TTL outputs, the negative logic configuration should be used as follows.



### *IC200MDL644* *Input Module, 5/12 V DC Pos/Neg Logic Grouped 32 Point*

Discrete input module IC200MDL644 provides four groups of 8 discrete inputs. Inputs in each group can be either positive logic inputs that receive current from input devices and return the current on the common, or negative-logic inputs that receive current from the common and return current to the input device. Input devices are connected between the input terminals and common terminals. The module supports positive and negative logic inputs. For the inputs to be compatible with TTL devices, the negative logic configuration should be used.



Power for module operation comes from the backplane.

Intelligent processing for this module is performed by the CPU or NIU. The module provides 32 bits of discrete input data.

#### *LED Indicators*

Individual green LEDs indicate the on/off state of each input point. Backplane power must be present for LEDs to provide status of inputs.

The green OK LED is ON when backplane power is present to the module.

#### *Configuration Parameters*

The module's basic input on/off response time is 0.25ms.

For some applications, it may be preferable to add additional filtering to compensate for conditions such as noise spikes or switch bounce. Input filter times of 0ms, 1.0ms, or 7.0ms are selectable via software configuration, for total response times of 0.25ms, 1.25ms, and 7.25ms respectively. The default is 1.0ms filter time (total response time is 1.25ms).

**IC200MDL644**  
**Input Module, 5/12 V DC Pos/Neg Logic Grouped 32 Point**

### Module Specifications

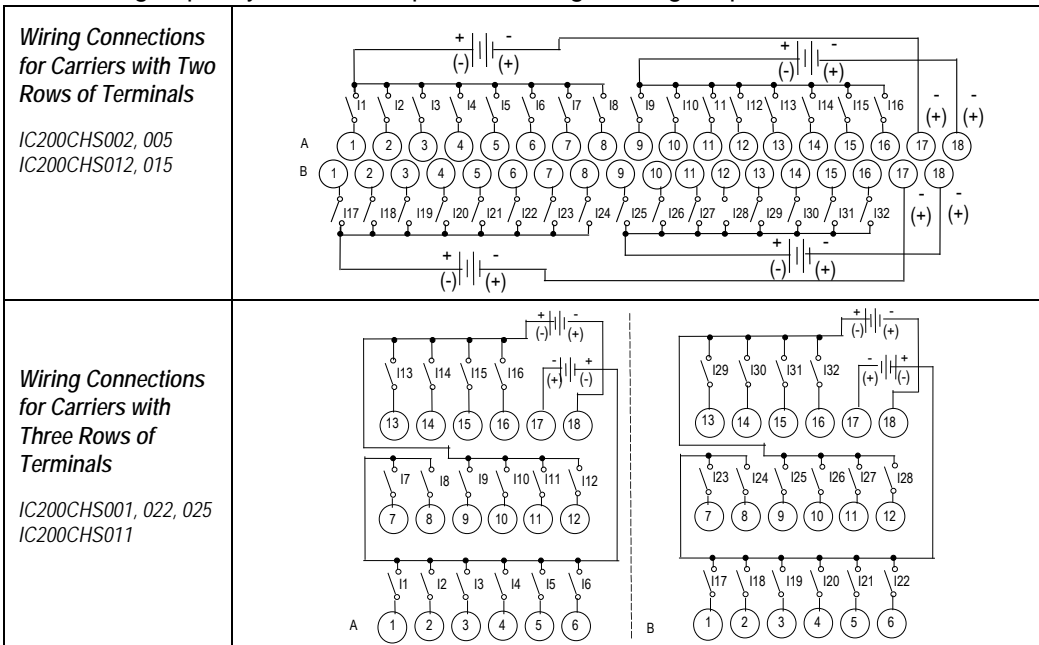
<b>Module Characteristics</b>											
Points		32 (4 groups of 8)									
Module ID		80088008									
Isolation:		250 V AC continuous; 1500 V AC for 1 minute									
User input to logic (optical) and to frame ground		250 V AC continuous; 1500 V AC for 1 minute									
Group to group		None									
Point to point											
LED indicators		One LED per point shows individual point ON/OFF status OK LED indicates backplane power is present									
Backplane current consumption		5 V output: 140 mA maximum									
External power supply		None									
Thermal derating		No derating									
Configuration parameters		Input response times									
<i>Compatibility</i>	<i>Cimplicity ME</i>	<i>VersaPro</i>	<i>Control 90</i>	<i>CPU 001</i>	<i>CPU 002</i>	<i>CPU 005</i>	<i>CPU E05</i>	<i>DBI 001</i>	<i>EBI 001</i>	<i>GBI 001</i>	<i>PBI 001</i>
<i>HW,FW vers. FW release</i>	2.11	1.5	2.4	AA 1.0	AA 1.5	AA 2.1	AA 2.1	AA 1.1	AA 1.0	AA 1.0	AA 1.0
<b>Input Characteristics</b>											
Input voltage		0 to +15 V DC, +5/12 V DC nominal									
User input current		1.8 mA typical at 5 V DC, 4.9 mA typical at 12 V DC									
Input impedance		2.4KΩ typical at 12 V DC									
On state voltage		+4.2 to +15 V DC									
Off state voltage		0 to +2.6 V DC									
On state current		1.45 mA minimum									
Off state current		0 to 0.7 mA maximum									
On response time		0.25ms maximum									
Off response time											
Configurable filter time		0 ms, 1.0ms (default), or 7.0ms									

**IC200MDL644**  
**Input Module, 5/12 V DC Pos/Neg Logic Grouped 32 Point**

*Field Wiring*

Terminal	Connection	Terminal	Connection
A1	Input 1	B1	Input 17
A2	Input 2	B2	Input 18
A3	Input 3	B3	Input 19
A4	Input 4	B4	Input 20
A5	Input 5	B5	Input 21
A6	Input 6	B6	Input 22
A7	Input 7	B7	Input 23
A8	Input 8	B8	Input 24
A9	Input 9	B9	Input 25
A10	Input 10	B10	Input 26
A11	Input 11	B11	Input 27
A12	Input 12	B12	Input 28
A13	Input 13	B13	Input 29
A14	Input 14	B14	Input 30
A15	Input 15	B15	Input 31
A16	Input 16	B16	Input 32
A17	Inputs 1-8 Common	B17	Inputs 17-24 Common
A18	Inputs 9-16 Common	B18	Inputs 25-32 Common

The 32 inputs form four groups of 8. Each group has a common connection. Each group may be wired for positive or negative logic inputs.

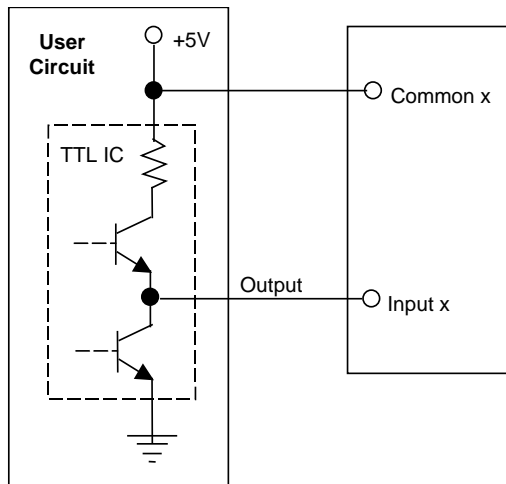


*IC200MDL644*

*Input Module, 5/12 V DC Pos/Neg Logic Grouped 32 Point*

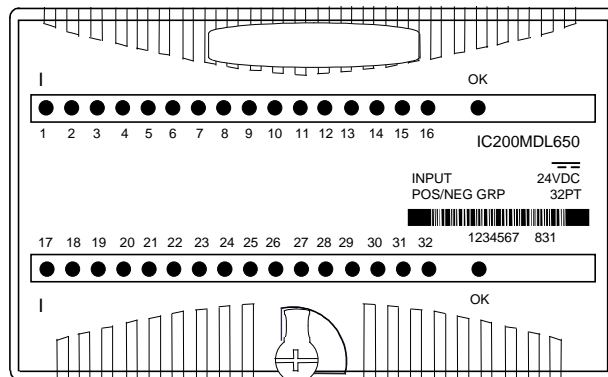
### *Wiring for TTL Inputs*

To be compatible with TTL outputs, the negative logic configuration should be used as follows.



### *IC200MDL650* *Input Module, 24 V DC Pos/Neg Logic 32 Points*

Discrete input module IC200MDL650 provides four groups of 8 discrete inputs. Inputs in each group can be either positive logic inputs that receive current from input devices and return the current on the common, or negative-logic inputs that receive current from the common and return current to the input device. Input devices are connected between the input terminals and common terminals.



Note: Negative-logic functionality requires module version IC200MDL650C or higher.

Power for module operation comes from the backplane.

Intelligent processing for this module is performed by the CPU or NIU. The module provides 32 bits of discrete input data.

#### **LED Indicators**

Individual green LEDs indicate the on/off state of each input point.

The green OK LED is ON when backplane power is present to the module.

#### **Configuration Parameters**

The module's basic input on/off response time is 0.5ms.

For some applications, it may be preferable to add additional filtering to compensate for conditions such as noise spikes or switch bounce. Input filter times of 0ms, 1.0ms, or 7.0ms are selectable via CPU software configuration, for total response times of 0.5ms, 1.5ms, and 7.5ms respectively. The default is 1.0ms filter time (total response time is 1.5ms).

**IC200MDL650**  
**Input Module, 24 V DC Pos/Neg Logic 32 Points**

### Module Specifications

<b>Module Characteristics</b>											
Points	32 (4 groups of 8)										
Module ID	80088008										
Isolation:	250 V AC continuous; 1500 V AC for 1 minute										
User input to logic (optical) and to frame ground	250 V AC continuous; 1500 V AC for 1 minute										
Group to group	None										
Point to point											
LED indicators	One LED per point shows individual point ON/OFF status OK LED indicates backplane power is present										
Backplane current consumption	5 V output: 50mA maximum										
External power supply	None										
Thermal derating	Refer to associated diagram										
Configuration parameters	Input response times										
<i>Compatibility</i>	<i>Cimplicity ME</i>	<i>VersaPro</i>	<i>Control 90</i>	<i>CPU 001</i>	<i>CPU 002</i>	<i>CPU 005</i>	<i>CPU E05</i>	<i>DBI 001</i>	<i>EBI 001</i>	<i>GBI 001</i>	<i>PBI 001</i>
<i>HW,FW vers. FW release</i>	2.11	1.0	2.2	AA 1.0	AA 1.5	AA 2.1	AA 2.1	AA 1.1	AA 1.0	AA 1.0	AA 1.0
<b>Input Characteristics</b>											
Input voltage	0 to +30 V DC,+24 V DC nominal										
On state voltage	+15 to +30 V DC										
Off state voltage	0 to +5 V DC										
On state current	2.0 to 5.5mA										
Off state current	0 to 0.5mA										
On response time	0.5ms maximum										
Off response time											
Configurable filter time	0 ms, 1.0ms (default), or 7.0ms										
Input impedance	10 kΩ maximum										

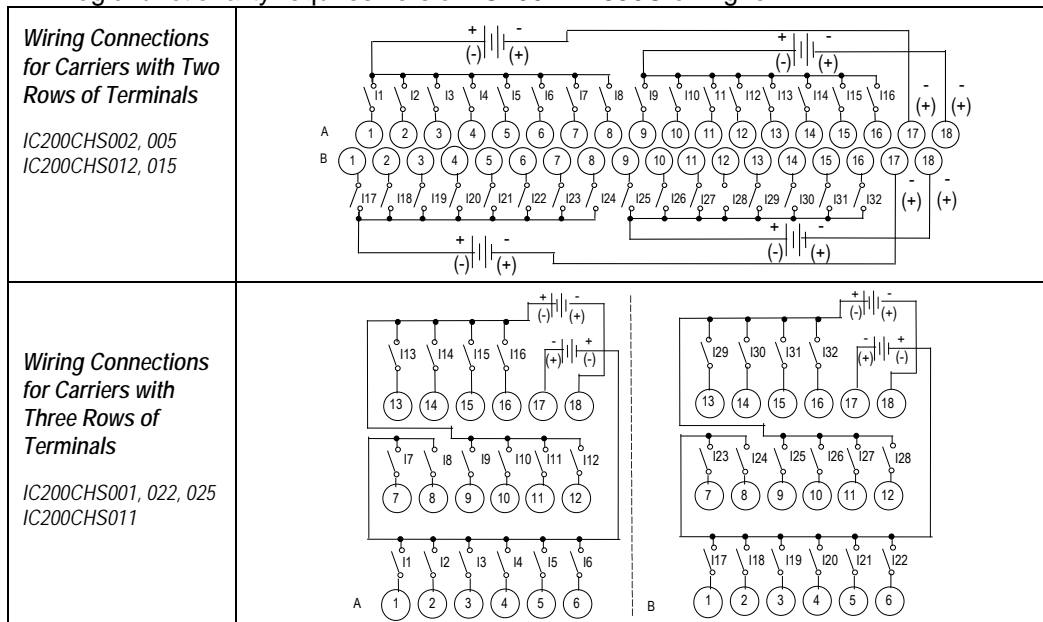


**IC200MDL650**  
**Input Module, 24 V DC Pos/Neg Logic 32 Points**

*Field Wiring*

Terminal	Connection	Terminal	Connection
A1	Input 1	B1	Input 17
A2	Input 2	B2	Input 18
A3	Input 3	B3	Input 19
A4	Input 4	B4	Input 20
A5	Input 5	B5	Input 21
A6	Input 6	B6	Input 22
A7	Input 7	B7	Input 23
A8	Input 8	B8	Input 24
A9	Input 9	B9	Input 25
A10	Input 10	B10	Input 26
A11	Input 11	B11	Input 27
A12	Input 12	B12	Input 28
A13	Input 13	B13	Input 29
A14	Input 14	B14	Input 30
A15	Input 15	B15	Input 31
A16	Input 16	B16	Input 32
A17	Inputs 1-8 Common	B17	Inputs 17-24 Common
A18	Inputs 9-16 Common	B18	Inputs 25-32 Common

The 32 inputs form four groups of 8. Each group has a common connection. Each group may be wired for positive or negative logic inputs. Note: Negative-logic functionality requires version IC200MDL650C or higher.

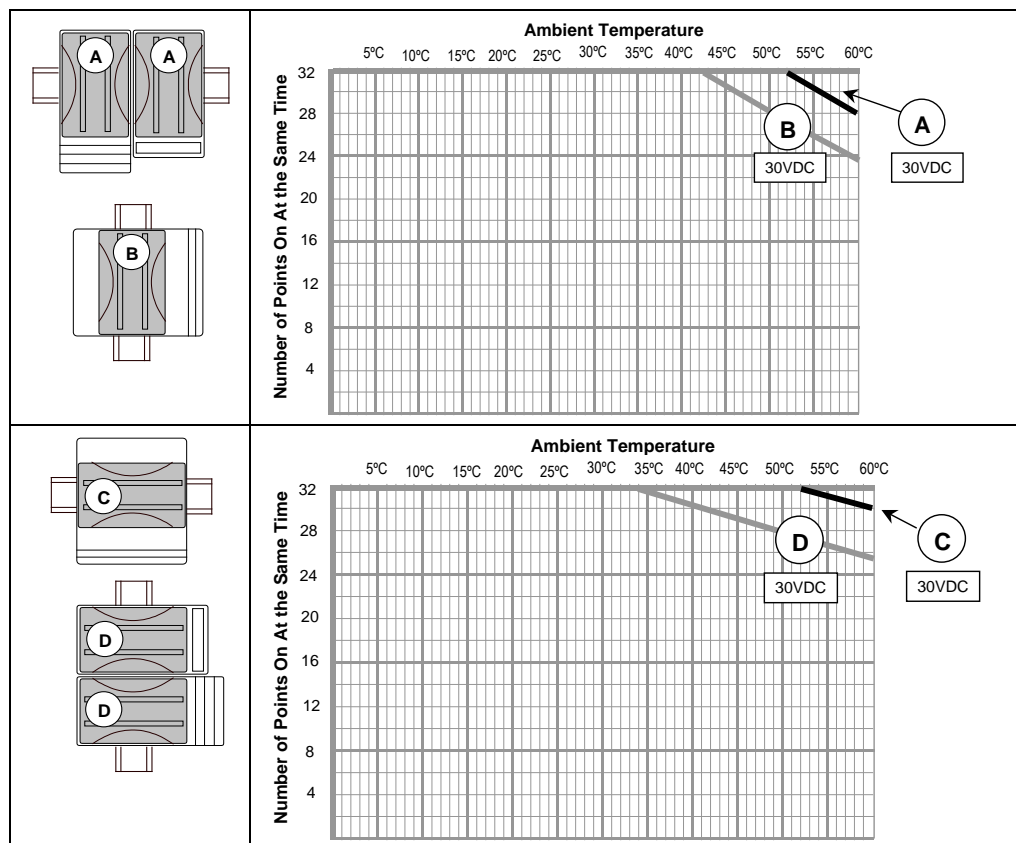


**IC200MDL650**  
**Input Module, 24 V DC Pos/Neg Logic 32 Points**

### Thermal Derating

The number of points that can be on at the same time depends on the ambient temperature, the external voltage, and the orientation of the module and DIN rail.

There is no derating at 24 V DC. Deratings at 30 V DC are displayed as follows:

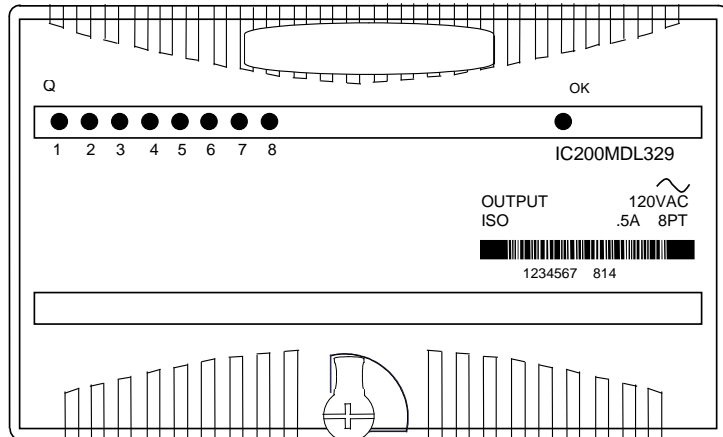


This chapter describes VersaMax discrete output modules.

- IC200MDL329 Output Module, 120VAC 0.5 A, Isolated 8 Points
- IC200MDL330 Output Module, 120VAC 0.5 A, Isolated 16 Points
- IC200MDL331 Output Module, 120VAC 2.0 A, Isolated 8 Points
- IC200MDL730 Output Module, 24VDC Positive Logic 2.0 A, w/ESCP 8 Points
- IC200MDL740 Output Module, 12/24VDC Positive Logic 0.5 A, 16 Points
- IC200MDL741 Output Module, 24VDC Positive Logic 0.5 A, w/ESCP 16 Points
- IC200MDL742 Output Module, 24VDC Positive Logic 0.5 A, w/ESCP 32 Points
- IC200MDL743 Output Module, 5/12/24V DC Negative Logic 0.5 A, 16 Points
- IC200MDL744 Output Module, 5/12/24VDC Negative Logic 0.5 A, 32 Points
- IC200MDL750 Output Module, 12/24VDC Positive Logic 0.5 A, 32 Points
- IC200MDL930 Output Module, Relay 2.0 A Isolated Form A 8 Points
- IC200MDL940 Output Module, Relay 2.0 A, Isolated Form A 16 Points

**IC200MDL329**  
**Output Module, 120 V AC 0.5 A, Isolated 8 Points**

Discrete output module IC200MDL329 provides 8 isolated outputs.



An external 120 V AC power supply must be provided to switch power to the loads.

Intelligent processing for this module is performed by the CPU or NIU. The module receives 8 bits of discrete output data.

### **LED Indicators**

Individual green LEDs indicate the on/off state of the output points. The output LEDs are logic-driven and independent of the load conditions.

The green OK LED is ON when backplane power is present to the module.

IC200MDL329

Output Module, 120 V AC 0.5 A, Isolated 8 Points

**Module Specifications**

<b>Module Characteristics</b>											
Points	8 isolated outputs										
Module ID	FFFF8840										
Isolation:	250 V AC continuous; 1500 V AC for 1 minute										
User input to logic (optical) and to frame ground	250 V AC continuous; 1500 V AC for 1 minute										
Group to group	Not applicable										
Point to point	250 V AC continuous; 1500 V AC for 1 minute										
LED indicators	One LED per point shows individual point on/off state OK LED indicates backplane power is present										
Backplane current consumption	5 V output: 70 mA maximum										
External power supply	85 to 132 V AC (47 to 63Hz), 120 V AC nominal										
Thermal derating	Refer to associated diagram										
<i>Compatibility</i>	<i>Cimplicity ME</i>	<i>Versa Pro</i>	<i>Control 90</i>	<i>CPU 001</i>	<i>CPU 002</i>	<i>CPU 005</i>	<i>CPU E05</i>	<i>DBI 001</i>	<i>EBI 001</i>	<i>GBI 001</i>	<i>PBI 001</i>
<i>HW,FW vers. FW release</i>	2.11	1.1	2.4	AA 1.0	AA 1.5	AA 2.1	AA 2.1	AA 1.1	AA 1.0	AA 1.0	AA 1.0
<b>Output Characteristics</b>											
Output voltage	85 to 132 V AC (47 to 63Hz), 120 V AC nominal										
Output voltage drop	2.0 V maximum										
Load current	10 mA minimum per point 0.5A maximum per point 5.0A for one cycle (20ms) maximum inrush										
Output leakage current	Less than 2mA at 132 V AC										
On response time	Less than ½ cycle, maximum										
Off response time	Less than ½ cycle, maximum										
Protection	Snubber and MOVs (each output)										
Diagnostics	None										

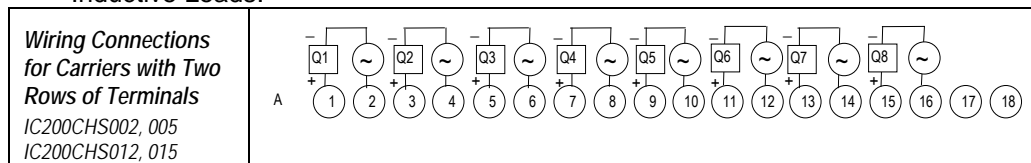
**IC200MDL329**  
**Output Module, 120 V AC 0.5 A, Isolated 8 Points**

**Field Wiring**

Terminal	Connection	Terminal	Connection
A1	Output 1	B1	No connection
A2	Output 1 Ret	B2	No connection
A3	Output 2	B3	No connection
A4	Output 2 Ret	B4	No connection
A5	Output 3	B5	No connection
A6	Output 3 Ret	B6	No connection
A7	Output 4	B7	No connection
A8	Output 4 Ret	B8	No connection
A9	Output 5	B9	No connection
A10	Output 5 Ret	B10	No connection
A11	Output 6	B11	No connection
A12	Output 6 Ret	B12	No connection
A13	Output 7	B13	No connection
A14	Output 7 Ret	B14	No connection
A15	Output 8	B15	No connection
A16	Output 8 Ret	B16	No connection
A17	No connection	B17	No connection
A18	No connection	B18	No connection

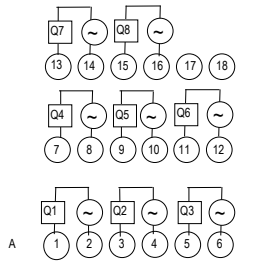
If additional bussed terminals are needed, the B terminals can be made available by using a shorting bar. The shorting bar has a maximum current-carrying capacity of 2A per point. Refer to chapter 2, Installing Wiring for I/O Devices-Wiring to Inductive Loads, for additional information about using the shorting bar.

When wiring outputs to inductive loads, use of external suppression circuits is recommended. Refer to chapter 2, Installing Wiring for I/O Devices-Wiring to Inductive Loads,, Installing Wiring for I/O Devices-Wiring to Inductive Loads.



**Wiring Connections  
for Carriers with Three  
Rows of Terminals**

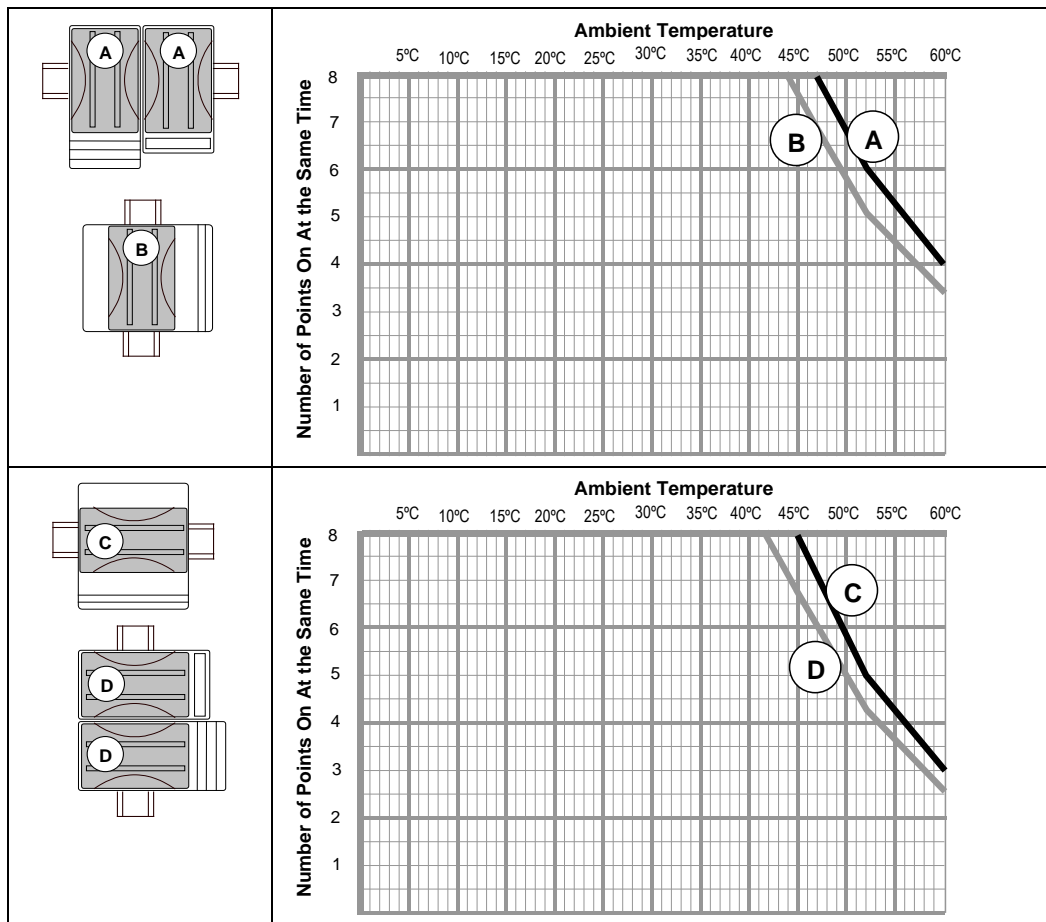
IC200CHS001, 022, 025  
IC200CHS011



**IC200MDL329**  
**Output Module, 120 V AC 0.5 A, Isolated 8 Points**

**Thermal Derating**

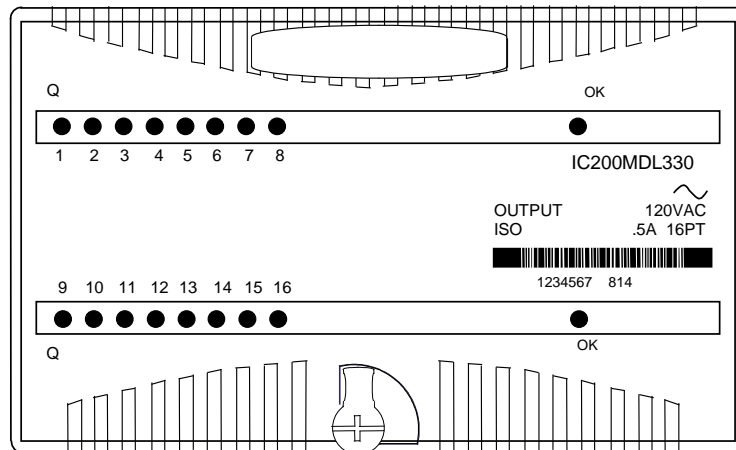
The number of points that can be on at the same time depends on the ambient temperature, the external voltage, and the orientation of the module and DIN rail. The following charts display thermal deratings for the module at 120 V AC with the maximum output current per point.





**IC200MDL330**  
**Output Module, 120 V AC 0.5 A, Isolated 16 Points**

Discrete output module IC200MDL330 provides 16 isolated outputs.



An external 120 V AC power supply must be provided to switch power to the loads.

Intelligent processing for this module is performed by the CPU or NIU. The module receives 16 bits of discrete output data.

### **LED Indicators**

Individual green LEDs indicate the on/off state of the output points. The output LEDs are logic-driven and independent of the load conditions.

The green OK LED is ON when backplane power is present to the module.

**Module Specifications**

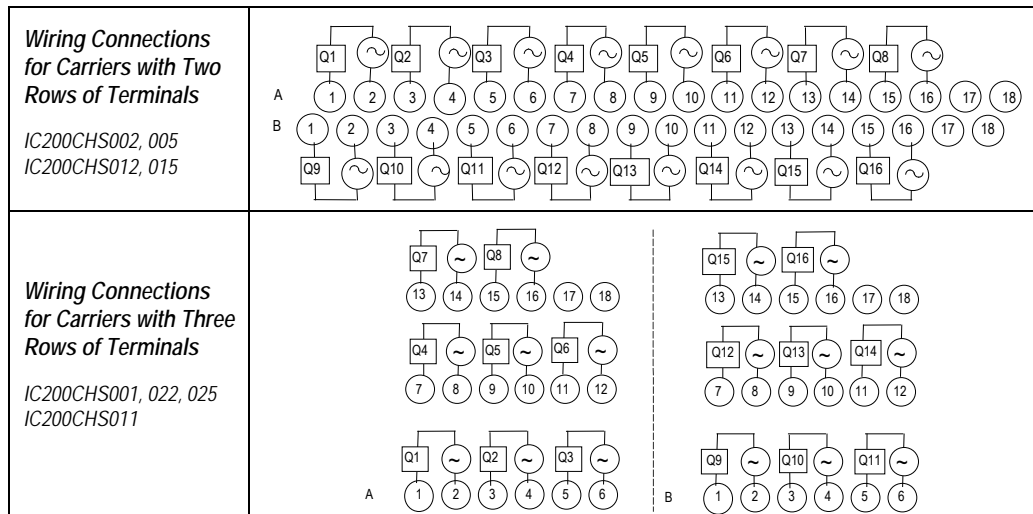
<b>Module Characteristics</b>											
Points	16 isolated outputs										
Module ID	88408840										
Isolation:	250 V AC continuous; 1500 V AC for 1 minute										
User input to logic (optical) and to frame ground	250 V AC continuous; 1500 V AC for 1 minute										
Group to group	250 V AC continuous; 1500 V AC for 1 minute										
Point to point	250 V AC continuous; 1500 V AC for 1 minute										
LED indicators	One LED per point shows individual point on/off state OK LED indicates backplane power is present										
Backplane current consumption	5 V output: 140mA maximum										
External power supply	85 to 132 V AC (47 to 63Hz), 120 V AC nominal										
Thermal derating	Refer to associated diagrams										
<b>Compatibility</b>	<i>Cimplicity ME</i>	<i>Versa Pro</i>	<i>Control 90</i>	<i>CPU 001</i>	<i>CPU 002</i>	<i>CPU 005</i>	<i>CPU E05</i>	<i>DBI 001</i>	<i>EBI 001</i>	<i>GBI 001</i>	<i>PBI 001</i>
<i>HW,FW vers. FW release</i>	2.11	1.0	2.2	AA 1.0	AA 1.5	AA 2.1	AA 2.1	AA 1.1	AA 1.0	AA 1.0	AA 1.0
<b>Output Characteristics</b>											
Output voltage	85 to 132 V AC (47 to 63Hz), 120 V AC nominal										
Output voltage drop	2.0V maximum										
Load current	10mA minimum per point 0.5A maximum per point 5.0A for one cycle (20ms) maximum inrush										
Output leakage current	Less than 2mA at 132 V AC										
On response time	Less than ½ cycle, maximum										
Off response time	Less than ½ cycle, maximum										
Protection	Snubber and MOVs (each output)										
Diagnostics	None										

**IC200MDL330**  
**Output Module, 120 V AC 0.5 A, Isolated 16 Points**

**Field Wiring**

Terminal	Connection	Terminal	Connection
A1	Output 1	B1	Output 9
A2	Output 1 Ret	B2	Output 9 Ret
A3	Output 2	B3	Output 10
A4	Output 2 Ret	B4	Output 10 Ret
A5	Output 3	B5	Output 11
A6	Output 3 Ret	B6	Output 11 Ret
A7	Output 4	B7	Output 12
A8	Output 4 Ret	B8	Output 12 Ret
A9	Output 5	B9	Output 13
A10	Output 5 Ret	B10	Output 13 Ret
A11	Output 6	B11	Output 14
A12	Output 6 Ret	B12	Output 14 Ret
A13	Output 7	B13	Output 15
A14	Output 7 Ret	B14	Output 15 Ret
A15	Output 8	B15	Output 16
A16	Output 8 Ret	B16	Output 16 Ret
A17	No connection	B17	No connection
A18	No connection	B18	No connection

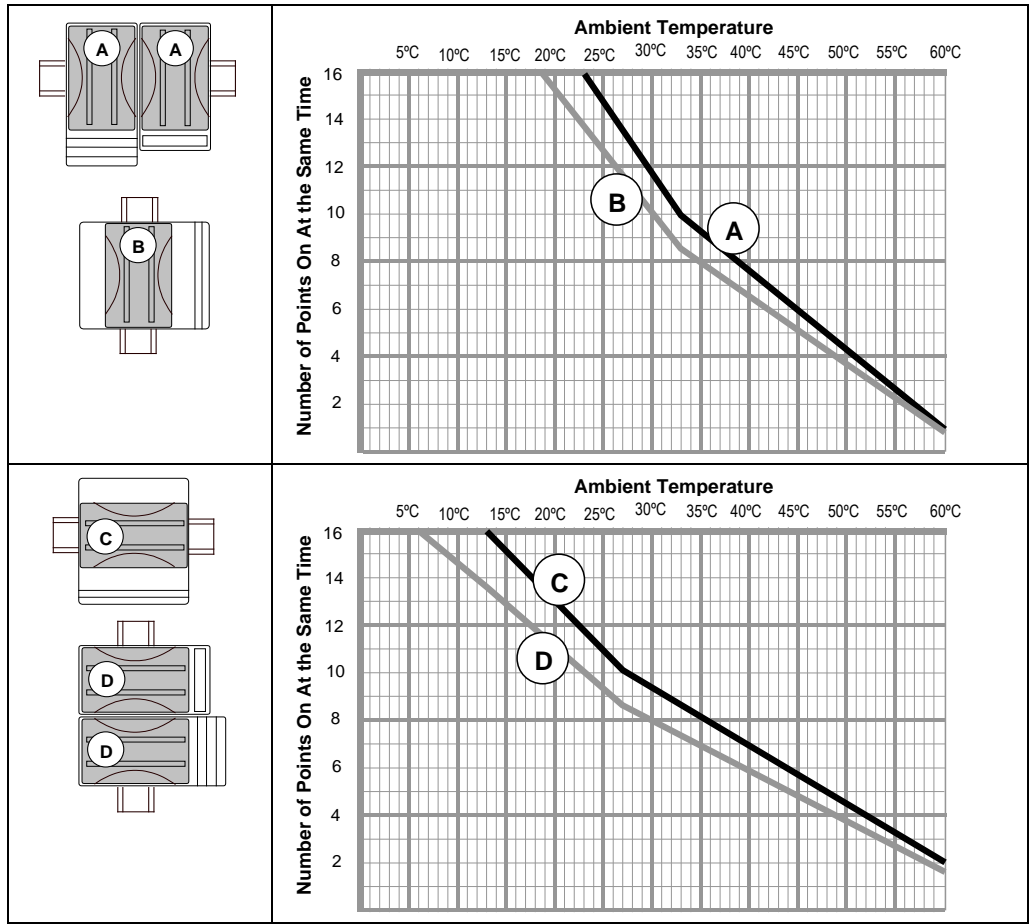
When wiring outputs to inductive loads, use of external suppression circuits is recommended. Refer to chapter 2, Installing Wiring for I/O Devices-Wiring to Inductive Loads., Installing Wiring for I/O Devices-Wiring to Inductive Loads.



**IC200MDL330**  
**Output Module, 120 V AC 0.5 A, Isolated 16 Points**

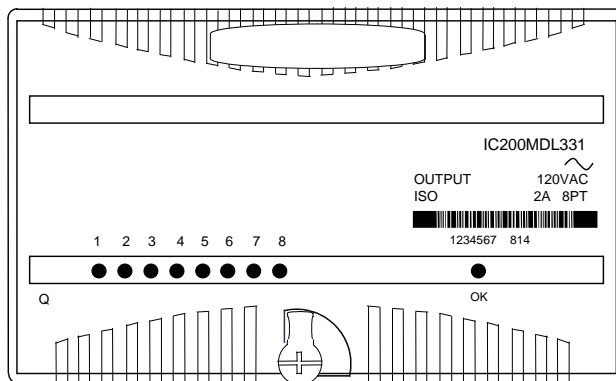
**Thermal Derating**

The number of points that can be on at the same time depends on the ambient temperature, the external voltage, and the orientation of the module and DIN rail. The following charts display thermal deratings for the module at 120 V AC with the maximum output current per point.



**IC200MDL331**  
**Output Module, 120 V AC 2.0 A, Isolated 8 Points**

Discrete output module IC200MDL331 provides 8 isolated outputs.



An external 120 V AC power supply must be provided to switch power to the loads.

Intelligent processing for this module is performed by the CPU or NIU. The module receives 8 bits of discrete output data.

### **LED Indicators**

Individual green LEDs indicate the on/off state of the output points. The output LEDs are logic-driven and independent of the load conditions.

The green OK LED is ON when backplane power is present to the module.

**Module Specifications**

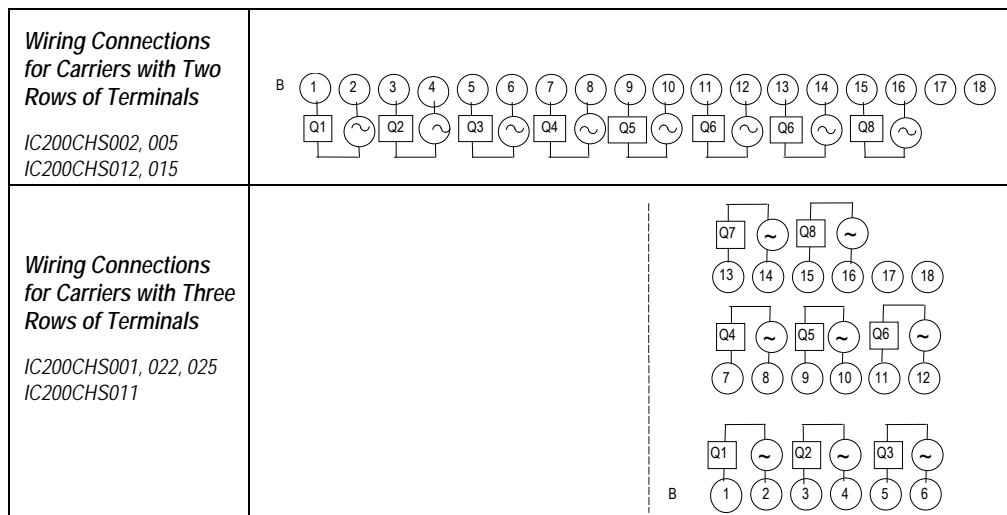
<b>Module Characteristics</b>											
Points	8 isolated outputs										
Module ID	FFFF8840										
Isolation:	250 V AC continuous; 1500 V AC for 1 minute										
User input to logic (optical) and to frame ground	250 V AC continuous; 1500 V AC for 1 minute										
Group to group	Not applicable										
Point to point	250 V AC continuous; 1500 V AC for 1 minute										
LED indicators	One LED per point shows individual point on/off state OK LED indicates backplane power is present										
Backplane current consumption	5 V output: 85mA maximum										
External power supply	85 to 132 V AC (47 to 63Hz), 120 V AC nominal										
Thermal derating	Refer to associated diagrams										
<i>Compatibility</i>	<i>Cimplicity ME</i>	<i>Versa Pro</i>	<i>Control 90</i>	<i>CPU 001</i>	<i>CPU 002</i>	<i>CPU 005</i>	<i>CPU E05</i>	<i>DBI 001</i>	<i>EBI 001</i>	<i>GBI 001</i>	<i>PBI 001</i>
<i>HW,FW vers. FW release</i>	2.11	1.0	2.2	AA 1.0	AA 1.5	AA 2.1	AA 2.1	AA 1.1	AA 1.0	AA 1.0	AA 1.0
<b>Output Characteristics</b>											
Output voltage	85 to 132 V AC (47 to 63Hz), 120 V AC nominal										
Output voltage drop	2.0V maximum										
Load current	10mA minimum per point 2.0A maximum per point 20A for one cycle (20ms) maximum inrush										
Output leakage current	Less than 2mA at 132 V AC										
On response time	Less than ½ cycle										
Off response time	Less than ½ cycle										
Protection	Snubber and MOV (each output)										
Diagnostics	None										

**IC200MDL331**  
**Output Module, 120 V AC 2.0 A, Isolated 8 Points**

**Field Wiring**

Terminal	Connection	Terminal	Connection
A1	No connection	B1	Output 1
A2	No connection	B2	Output 1 Ret
A3	No connection	B3	Output 2
A4	No connection	B4	Output 2 Ret
A5	No connection	B5	Output 3
A6	No connection	B6	Output 3 Ret
A7	No connection	B7	Output 4
A8	No connection	B8	Output 4 Ret
A9	No connection	B9	Output 5
A10	No connection	B10	Output 5 Ret
A11	No connection	B11	Output 6
A12	No connection	B12	Output 6 Ret
A13	No connection	B13	Output 7
A14	No connection	B14	Output 7 Ret
A15	No connection	B15	Output 8
A16	No connection	B16	Output 8 Ret
A17	No connection	B17	No connection
A18	No connection	B18	No connection

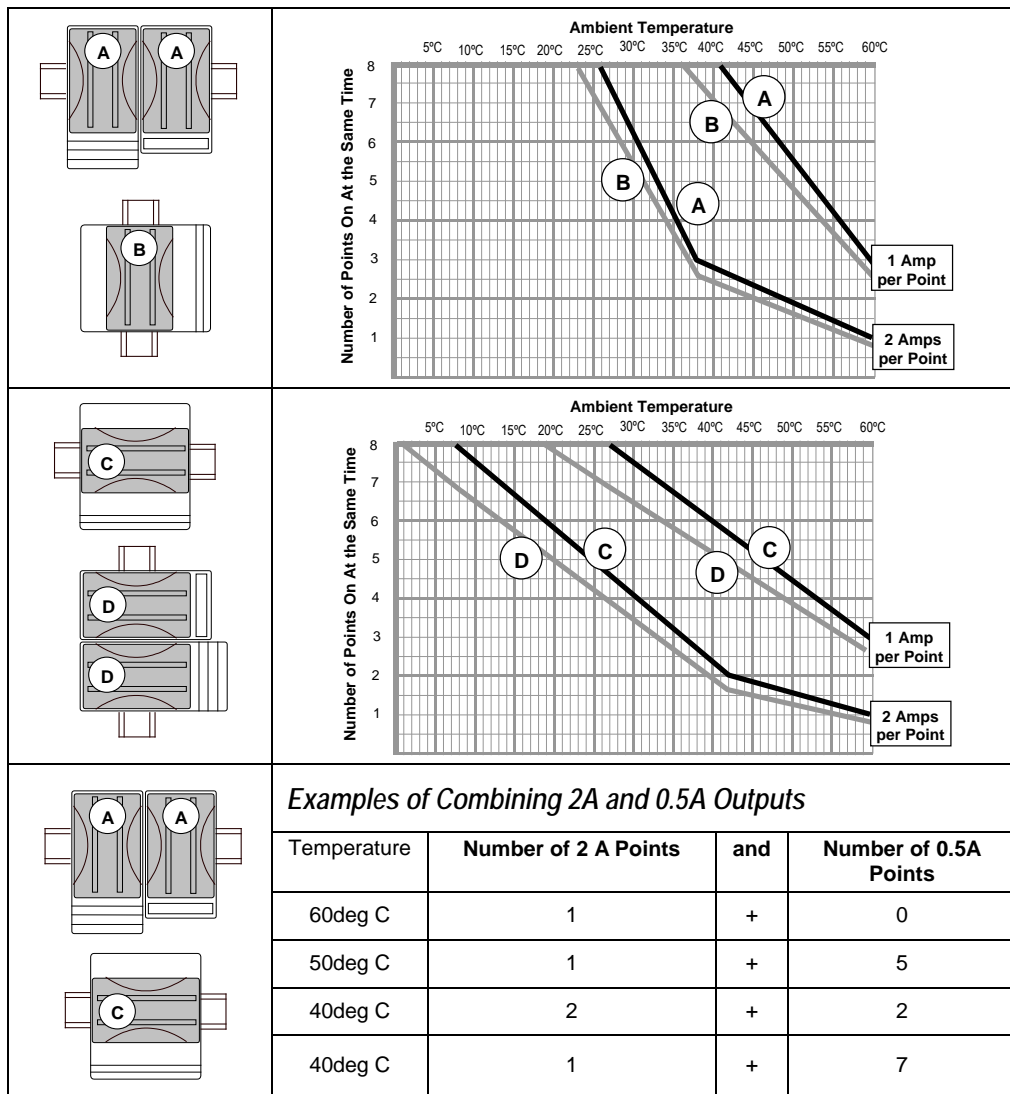
When wiring outputs to inductive loads, use of external suppression circuits is recommended. Refer to chapter 2, Installing Wiring for I/O Devices-Wiring to Inductive Loads.



**IC200MDL331**  
**Output Module, 120 V AC 2.0 A, Isolated 8 Points**

**Thermal Derating**

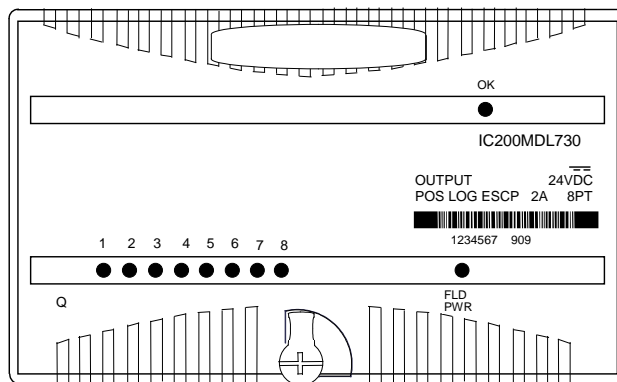
The number of points that can be on at the same time depends on the ambient temperature, the output current, and the orientation of the module and DIN rail. The following charts display thermal deratings for the module at 120 V AC with the indicated output current per point.





**IC200MDL730****Output Module, 24 V DC Positive Logic 2.0 As, w/ESCP 8 Points**

Discrete output module IC200MDL730 provides one group of 8 discrete outputs. Each point has electronic overcurrent protection and short circuit protection, and generates a fault if either condition exists. The outputs are positive or sourcing type outputs. They switch the loads to the positive side of the DC supply and thus supply current to the loads.



An external DC power supply must be provided to switch power to the loads.

At powerup, the backplane power supply must be on and stable for 1 second before field power is applied to the module. Failure to follow this sequence could result in false output point faults. These faults can be cleared as follows.

Intelligent processing for this module is performed by the CPU or NIU. The module receives 8 bits of discrete output data.

**LED Indicators**

Individual green LEDs indicate the on/off state of the output points. The LEDs are dependent on field power, but independent of load conditions. Individual amber LEDs indicate overload or short circuit conditions on each output.

The green FLD PWR LED is ON when field power is applied to the module. The green OK LED is ON when backplane power is present to the module.

**Diagnostics**

The module provides point-level diagnostics (fault detection) of overload and short circuit conditions. Each point fault is identified both at the CPU/NIU and by means of an amber LED. Once an overload/short circuit condition is reported, the fault is latched. It remains latched until a Clear Fault is issued or user power to the module is cycled.

**IC200MDL730**

**Output Module, 24 V DC Positive Logic 2.0 A, w/ESCP 8 Points**

### Module Specifications

<b>Module Characteristics</b>											
Points	1 group of 8 outputs										
Module ID	FFFF8140										
Isolation:	250 V AC continuous; 1500 V AC for 1 minute										
User input to logic (optical) and to frame ground	Not applicable										
Group to group	None										
Point to point	None										
LED indicators	One green LED per point shows individual point on/off state One amber LED per point shows individual point overloads/short circuits. FLD PWR LED indicates field power is present OK LED indicates backplane power is present										
Backplane current consumption	5 V output: 50mA										
External power supply	+18 to +30 V DC, +24 V DC nominal										
Thermal derating	None										
<b>Compatibility</b>	<i>Cimplicity ME</i>	<i>Versa Pro</i>	<i>Control 90</i>	<i>CPU 001</i>	<i>CPU 002</i>	<i>CPU 005</i>	<i>CPU E05</i>	<i>DBI 001</i>	<i>EBI 001</i>	<i>GBI 001</i>	<i>PBI 001</i>
<i>HW,FW vers. FW release</i>	2.11	1.0	2.2	AA 1.0	AA 1.5	AA 2.1	AA 2.1	AA 1.1	AA 1.0	AA 1.0	AA 1.0
<b>Output Characteristics</b>											
Output voltage	+17.5 to +30 V DC, +24 V DC nominal										
Output voltage drop	0.5 V maximum										
Load current	2.0A at 30 V DC maximum (resistive) per point, 8.0A max per module										
Output leakage current	0.5mA at 30 V DC maximum										
On response time	0.5ms, maximum										
Off response time	0.5ms, maximum										
Protection (each output)	Short circuit protection, overcurrent protection										

### External Power Supply Requirements

The external power supply used to power the loads must provide sufficient field power for the module during short circuit events. When a load is shorted, an inadequate external power supply may allow field power to drop below the specified operating range, causing mis-operation of the module. The external power supply must be capable of providing short circuit energy without degradation of output voltage levels. The amount of energy required depends on the number of simultaneously-short-circuited points that might occur. Refer to power supply short circuit operation specifications when selecting the power supply to be used with the loads. Local energy storage (either batteries or capacitors) can be used to compensate for insufficient power supply

characteristics. Additional best practices including minimizing wiring resistance from the external power supply to the module must be observed.

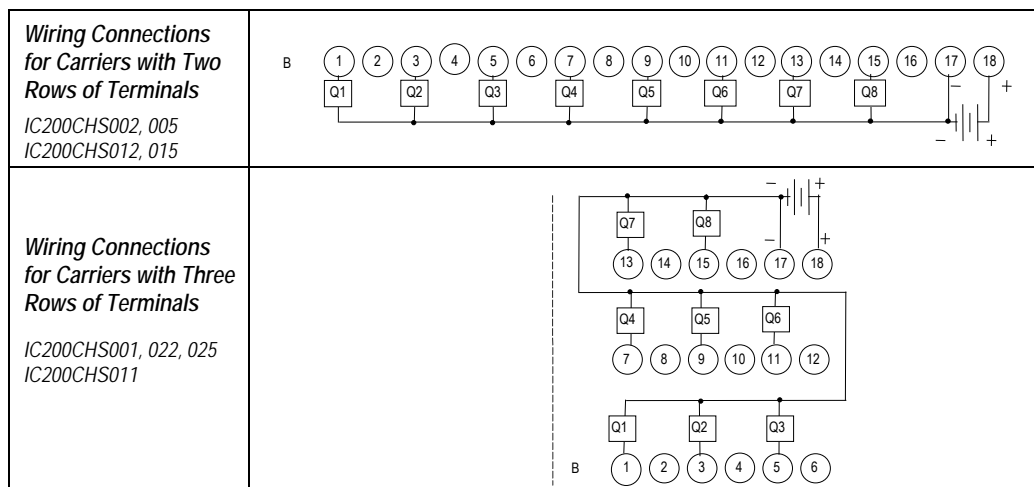
**IC200MDL730**  
**Output Module, 24 V DC Positive Logic 2.0 As, w/ESCP 8 Points**

**Field Wiring**

Terminal	Connection	Terminal	Connection
A1	No connection	B1	Output 1
A2	No connection	B2	No connection
A3	No connection	B3	Output 2
A4	No connection	B4	No connection
A5	No connection	B5	Output 3
A6	No connection	B6	No connection
A7	No connection	B7	Output 4
A8	No connection	B8	No connection
A9	No connection	B9	Output 5
A10	No connection	B10	No connection
A11	No connection	B11	Output 6
A12	No connection	B12	No connection
A13	No connection	B13	Output 7
A14	No connection	B14	No connection
A15	No connection	B15	Output 8
A16	No connection	B16	No connection
A17	No connection	B17	Common (Return)
A18	No connection	B18	+24 V DC

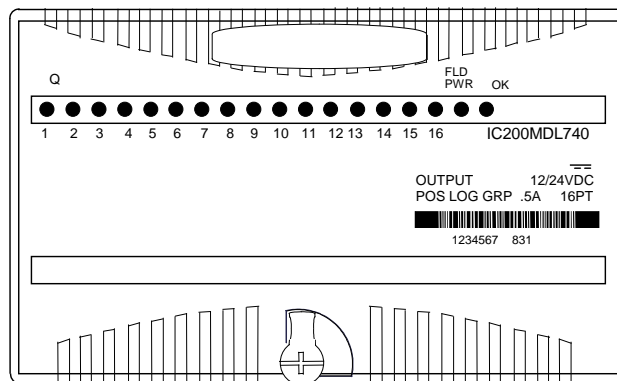
The 8 outputs form one group with a DC+ and a DC- terminal.

When wiring outputs to inductive loads, use of external suppression circuits is recommended. Refer to chapter 2, Installing Wiring for I/O Devices-Wiring to Inductive Loads.



**IC200MDL740**  
**Output Module, 12/24 V DC Positive Logic 0.5 A, 16 Points**

Discrete output module IC200MDL740 provides one group of 16 discrete outputs. The outputs are positive or sourcing type outputs. They switch the loads to the positive side of the DC supply and thus supply current to the loads.



Note: 12V output functionality requires module version IC200MDL740B or higher.

An external DC power supply must be provided to switch power to the loads.

Intelligent processing for this module is performed by the CPU or NIU. The module receives 16 bits of discrete output data.

### **LED Indicators**

Individual green LEDs indicate the on/off state of the output points. The LEDs are dependent on field power, but independent of load conditions.

The green FLD PWR LED is ON when field power is applied to the module.

The green OK LED is ON when backplane power is present to the module.

**IC200MDL740**  
**Output Module, 12/24 V DC Positive Logic 0.5 A, 16 Points**

**Module Specifications**

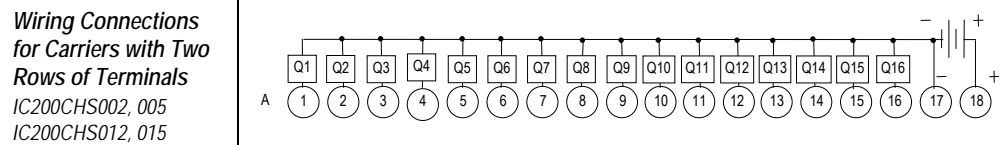
<b>Module Characteristics</b>											
Points	1 group of 16 outputs										
Module ID	FFFF8080										
Isolation:	250 V AC continuous; 1500 V AC for 1 minute										
User input to logic (optical) and to frame ground											
Group to group	Not applicable										
Point to point	None										
LED indicators	One LED per point shows individual point on/off state FLD PWR LED indicates field power is present OK LED indicates backplane power is present										
Backplane current consumption	5 V output: 45mA maximum										
External power supply	+10.2 to +30 V DC, +12/24 V DC nominal										
Thermal derating	Refer to associated diagram										
<i>Compatibility</i>	<i>Cimplicity ME</i>	<i>Versa Pro</i>	<i>Control 90</i>	<i>CPU 001</i>	<i>CPU 002</i>	<i>CPU 005</i>	<i>CPU E05</i>	<i>DBI 001</i>	<i>EBI 001</i>	<i>GBI 001</i>	<i>PBI 001</i>
<i>HW,FW vers. FW release</i>	2.11	1.0	2.2	AA 1.0	AA 1.5	AA 2.1	AA 2.1	AA 1.1	AA 1.0	AA 1.0	AA 1.0
<b>Output Characteristics</b>											
Output voltage	+10.2 to +30 V DC, +12/24 V DC nominal										
Output voltage drop	0.3V maximum										
Load current	0.5A at 30 V DC maximum (resistive) 2.0A inrush maximum for 100ms										
Output leakage current	0.5mA at 30 V DC maximum										
On response time	0.2ms, maximum										
Off response time	1.0ms, maximum										
Protection (each output)	No internal fuse										

## Field Wiring

Terminal	Connection	Terminal	Connection
A1	Output 1	B1	No connection
A2	Output 2	B2	No connection
A3	Output 3	B3	No connection
A4	Output 4	B4	No connection
A5	Output 5	B5	No connection
A6	Output 6	B6	No connection
A7	Output 7	B7	No connection
A8	Output 8	B8	No connection
A9	Output 9	B9	No connection
A10	Output 10	B10	No connection
A11	Output 11	B11	No connection
A12	Output 12	B12	No connection
A13	Output 13	B13	No connection
A14	Output 14	B14	No connection
A15	Output 15	B15	No connection
A16	Output 16	B16	No connection
A17	DC -	B17	No connection
A18	DC +	B18	No connection

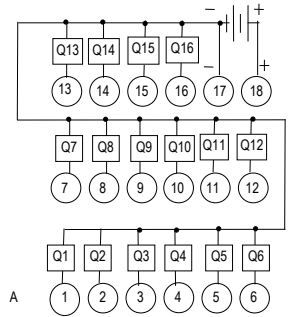
The 16 outputs form one group with a DC+ and a DC- terminal. If additional bussed terminals are needed, the B terminals can be made available by using a shorting bar. The shorting bar has a maximum current-carrying capacity of 2A per point. Refer to chapter 2, Installing Wiring for I/O Devices-Wiring to Inductive Loads, for additional information about using the shorting bar.

When wiring outputs to inductive loads, use of external suppression circuits is recommended. Refer to chapter 2, Installing Wiring for I/O Devices-Wiring to Inductive Loads., Installing Wiring for I/O Devices-Wiring to Inductive Loads.



**Wiring Connections  
for Carriers with Three  
Rows of Terminals**

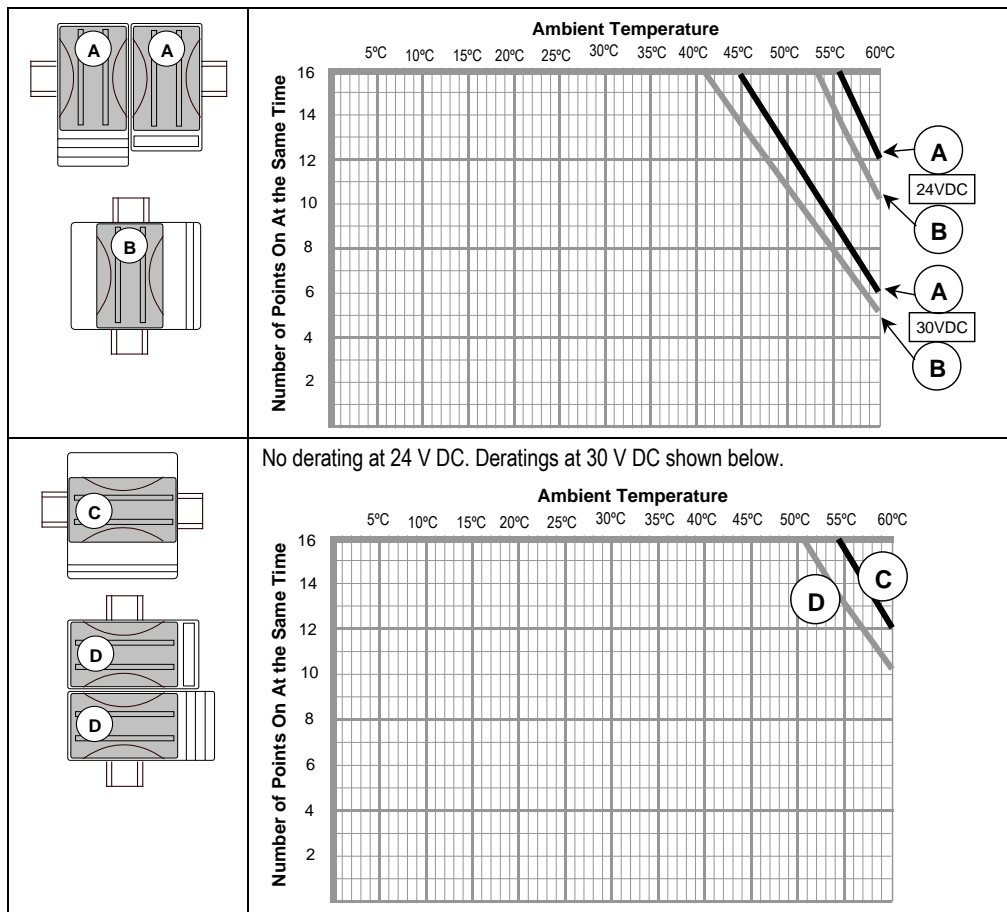
IC200CHS001, 022, 025  
IC200CHS011



**IC200MDL740**  
**Output Module, 12/24 V DC Positive Logic 0.5 A, 16 Points**

**Thermal Derating**

The number of points that can be on at the same time depends on the ambient temperature, the external voltage, and the orientation of the module and DIN rail. The following charts display thermal deratings for the module at 24 V DC and 30 V DC with the maximum output current per point.

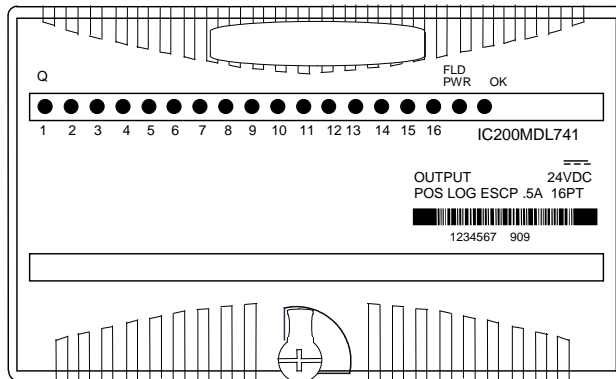




**IC200MDL741**

**Output Module, 24 V DC Positive Logic 0.5 A, w/ESCP 16 Points**

Discrete output module IC200MDL741 provides one group of 16 discrete outputs. Each point has electronic overcurrent protection and short circuit protection, and generates a fault if either condition exists. The outputs are positive or sourcing type outputs. They switch the loads to the positive side of the DC supply and thus supply current to the loads.



An external DC power supply must be provided to switch power to the loads.

Intelligent processing for this module is performed by the CPU or NIU. The module receives 16 bits of discrete output data.

### **LED Indicators**

Individual green LEDs indicate the on/off state of the output points. The LEDs are dependent on field power, but independent of load conditions.

Individual amber LEDs indicate overload conditions on each output point.

The green FLD PWR LED is ON when field power is applied to the module.

The green OK LED is ON when backplane power is present to the module.

### **Diagnostics**

The module reports the presence of any overloaded points to the system on a per-module basis. Amber LEDs indicate the overload conditions on a per-point basis. Once the overload condition is removed, normal operation is resumed.

**IC200MDL741**  
**Output Module, 24 V DC Positive Logic 0.5 A, w/ESCP 16 Points**

**Module Specifications**

<b>Module Characteristics</b>											
Points	1 group of 16 outputs										
Module ID	FFFF8080										
Isolation:	250 V AC continuous; 1500 V AC for 1 minute										
User input to logic (optical) and to frame ground	Not applicable										
Group to group	None										
Point to point											
LED indicators	One green LED per point shows individual point on/off state One amber LED per point shows individual point overloads FLD PWR LED indicates field power is present OK LED indicates backplane power is present										
Backplane current consumption	5 V output: 75mA maximum										
External power supply	+18 to +30 V DC, +24 V DC nominal										
Thermal derating	Refer to associated diagrams										
<i>Compatibility</i>	<i>Cimplicity ME</i>	<i>Versa Pro</i>	<i>Control 90</i>	<i>CPU 001</i>	<i>CPU 002</i>	<i>CPU 005</i>	<i>CPU E05</i>	<i>DBI 001</i>	<i>EBI 001</i>	<i>GBI 001</i>	<i>PBI 001</i>
<i>HW,FW vers. FW release</i>	2.11	1.0	2.2	AA 1.0	AA 1.5	AA 2.1	AA 2.1	AA 1.1	AA 1.0	AA 1.0	AA 1.0
<b>Output Characteristics</b>											
Output voltage	+18 to +30 V DC, +24 V DC nominal										
Output voltage drop	0.5 V maximum										
Load current	0.5A at 30 V DC maximum (resistive) 2.0A inrush maximum for 100ms										
Steady-state overcurrent trip point	1.6A typ., 0.7A to 2.5A max range										
Output leakage current	0.5mA at 30 V DC maximum										
On and Off response time	0.5ms, maximum										
Protection (each output)	Short circuit protection, overcurrent protection, free-wheeling diodes										

**External Power Supply Requirements**

The external power supply used to power the loads must provide sufficient field power for the module during short circuit events. When a load is shorted, an inadequate external power supply may allow field power to drop below the specified operating range, causing misoperation of the module. The external power supply must be capable of providing short circuit energy without degradation of output voltage levels. The amount of energy required depends on the number of simultaneously-short-circuited points that might occur. Refer to power supply short circuit operation specifications when selecting the power supply to be used with the loads. Local energy storage (either batteries or capacitors) can be used to compensate for insufficient power supply characteristics. Additional best practices including minimizing wiring resistance from the external power supply to the module must be observed.

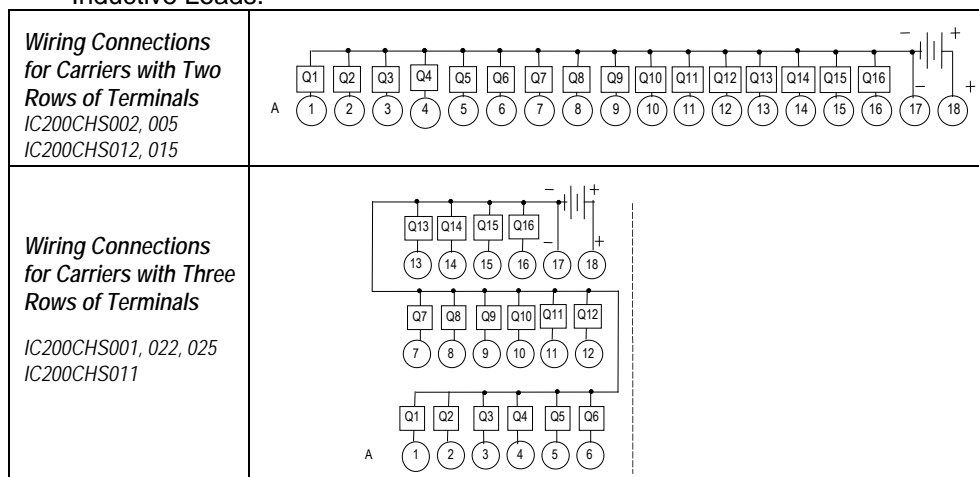
**IC200MDL741**  
**Output Module, 24 V DC Positive Logic 0.5 A, w/ESCP 16 Points**

### Field Wiring

Terminal	Connection	Terminal	Connection
A1	Output 1	B1	No connection
A2	Output 2	B2	No connection
A3	Output 3	B3	No connection
A4	Output 4	B4	No connection
A5	Output 5	B5	No connection
A6	Output 6	B6	No connection
A7	Output 7	B7	No connection
A8	Output 8	B8	No connection
A9	Output 9	B9	No connection
A10	Output 10	B10	No connection
A11	Output 11	B11	No connection
A12	Output 12	B12	No connection
A13	Output 13	B13	No connection
A14	Output 14	B14	No connection
A15	Output 15	B15	No connection
A16	Output 16	B16	No connection
A17	DC -	B17	No connection
A18	DC +	B18	No connection

The 16 outputs form one group with a DC+ and a DC- terminal. If additional bussed terminals are needed, the B terminals can be made available by using a shorting bar. The shorting bar has a maximum current-carrying capacity of 2 A per point. Refer to chapter 2, Installing Wiring for I/O Devices-Wiring to Inductive Loads, for additional information about using the shorting bar.

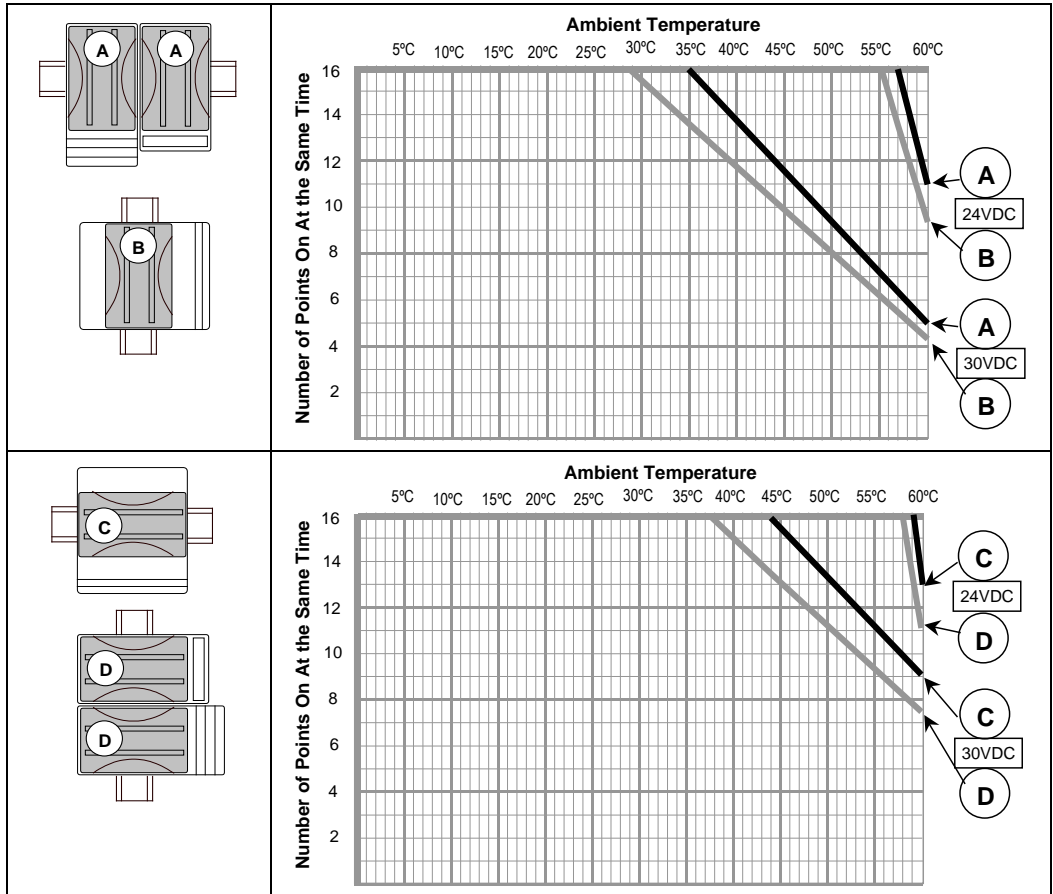
When wiring outputs to inductive loads, use of external suppression circuits is recommended. Refer to chapter 2, Installing Wiring for I/O Devices-Wiring to Inductive Loads.



**IC200MDL741**  
**Output Module, 24 V DC Positive Logic 0.5 A, w/ESCP 16 Points**

*Thermal Derating*

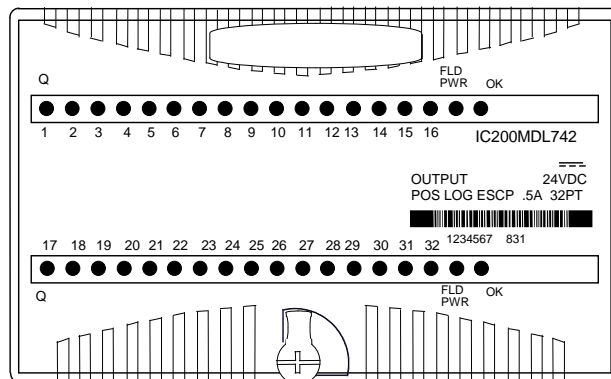
The number of points that can be on at the same time depends on the ambient temperature, the external voltage, and the orientation of the module and DIN rail. The following charts display thermal deratings for the module at 24 V DC and 30 V DC with the maximum output current per point.



**IC200MDL742**

**Output Module, 24 V DC Positive Logic 0.5 A, w/ESCP 32 Points**

Discrete output module IC200MDL742 provides two groups of 16 discrete outputs. Each point has electronic overcurrent protection and short circuit protection, and generates a fault if either condition exists. The outputs are positive or sourcing type outputs. They switch the loads to the positive side of the DC supply and thus supply current to the loads.



An external DC power supply must be provided to switch power to the loads.

Intelligent processing for this module is performed by the CPU or NIU. The module receives 32 bits of discrete output data.

### **LED Indicators**

Individual green LEDs indicate the on/off state of the output points. The LEDs are dependent on field power, but independent of load conditions.

Individual amber LEDs indicate overload conditions on each output point.

The green FLD PWR LED is ON when field power is applied to the module.

The green OK LED is ON when backplane power is present to the module.

### **Diagnostics**

The module reports the presence of any overloaded points to the system on a per-module basis. Amber LEDs indicate the overload conditions on a per-point basis. Once the overload condition is removed, normal operation is resumed.

**IC200MDL742**  
**Output Module, 24 V DC Positive Logic 0.5 A, w/ESCP 32 Points**

### Module Specifications

<b>Module Characteristics</b>											
Points		2 groups of 16 outputs									
Module ID		80808080									
Isolation:		250 V AC continuous; 1500 V AC for 1 minute									
User input to logic (optical) and to frame ground		250 V AC continuous; 1500 V AC for 1 minute									
Group to group		None									
Point to point											
LED indicators		One green LED per point shows individual point on/off state One amber LED per point shows individual point overloads FLD PWR LED indicates field power is present OK LED indicates backplane power is present									
Backplane current consumption		5 V output: 150mA maximum									
External power supply		+18 to +30 V DC, +24 V DC nominal									
Thermal derating		Refer to associated diagram									
<b>Compatibility</b>	<i>Cimplicity ME</i>	<i>Versa Pro</i>	<i>Control 90</i>	<i>CPU 001</i>	<i>CPU 002</i>	<i>CPU 005</i>	<i>CPU E05</i>	<i>DBI 001</i>	<i>EBI 001</i>	<i>GBI 001</i>	<i>PBI 001</i>
<i>HW,FW vers. FW release</i>	2.11	1.1	2.4	AA 1.0	AA 1.5	AA 2.1	AA 2.1	AA 1.1	AA 1.0	AA 1.0	AA 1.0
<b>Output Characteristics</b>											
Output voltage		+18 to +30 V DC, +24 V DC nominal									
Output voltage drop		0.5 V maximum									
Load current		0.5A at 30 V DC maximum (resistive) 2.0A inrush maximum for 100ms									
Steady-state overcurrent trip point		1.6A typ., 0.7A to 2.5A max range									
Output leakage current		0.5mA at 30 V DC maximum									
On and Off response time		0.5ms, maximum									
Protection (each output)		Short circuit and overcurrent protection, free-wheeling diodes									

### External Power Supply Requirements

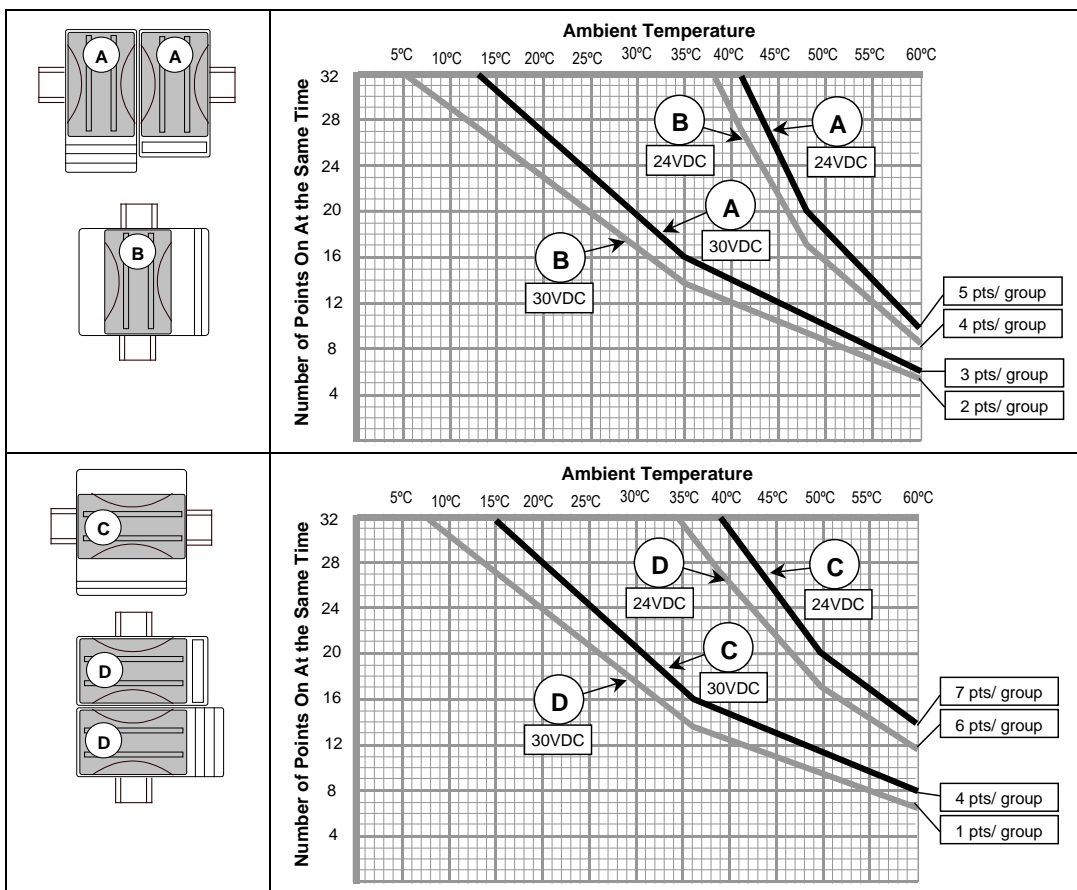
The external power supply used to power the loads must provide sufficient field power for the module during short circuit events. When a load is shorted, an inadequate external power supply may allow field power to drop below the specified operating range, causing misoperation of the module. The external power supply must be capable of providing short circuit energy without degradation of output voltage levels. The amount of energy required depends on the number of simultaneously-short-circuited points that might occur. Refer to power supply short circuit operation specifications when selecting the power supply to be used with the loads. Local energy storage (either batteries or capacitors) can be used to compensate for insufficient power supply characteristics. Additional best practices including minimizing wiring resistance from the external power supply to the module must be observed.

**IC200MDL742**

**Output Module, 24 V DC Positive Logic 0.5 A, w/ESCP 32 Points**

**Thermal Derating**

The number of points that can be on at the same time depends on the ambient temperature, the external voltage, and the orientation of the module and DIN rail. The following charts display thermal deratings for the module at 24 V DC and 30 V DC with the maximum output current per point.



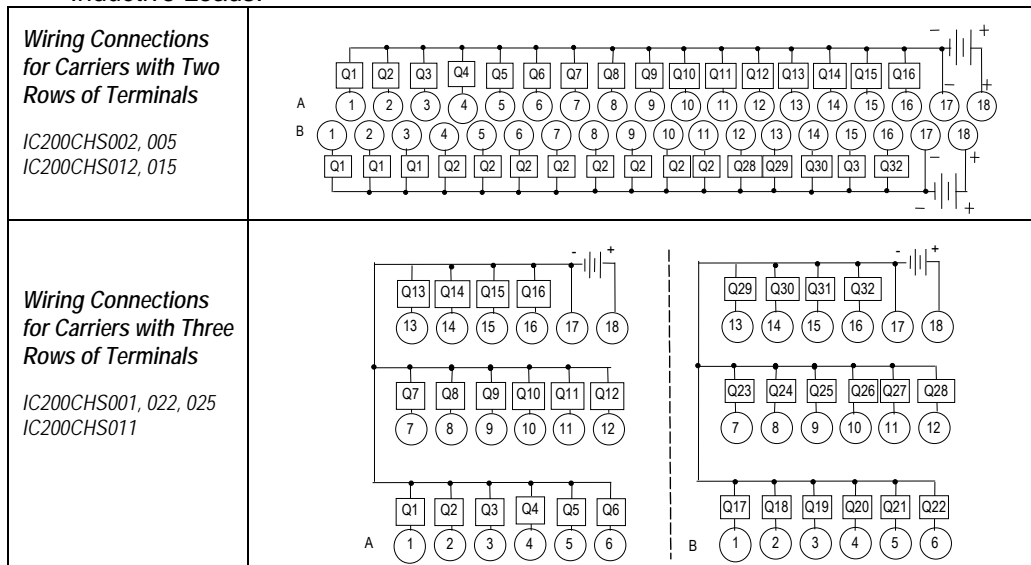
**IC200MDL742**  
**Output Module, 24 V DC Positive Logic 0.5 A, w/ESCP 32 Points**

*Field Wiring*

Terminal	Connection	Terminal	Connection
A1	Output 1	B1	Output 17
A2	Output 2	B2	Output 18
A3	Output 3	B3	Output 19
A4	Output 4	B4	Output 20
A5	Output 5	B5	Output 21
A6	Output 6	B6	Output 22
A7	Output 7	B7	Output 23
A8	Output 8	B8	Output 24
A9	Output 9	B9	Output 25
A10	Output 10	B10	Output 26
A11	Output 11	B11	Output 27
A12	Output 12	B12	Output 28
A13	Output 13	B13	Output 29
A14	Output 14	B14	Output 30
A15	Output 15	B15	Output 31
A16	Output 16	B16	Output 32
A17	DC -	B17	DC -
A18	DC +	B18	DC +

The 16 outputs form one group with a DC+ and a DC- terminal.

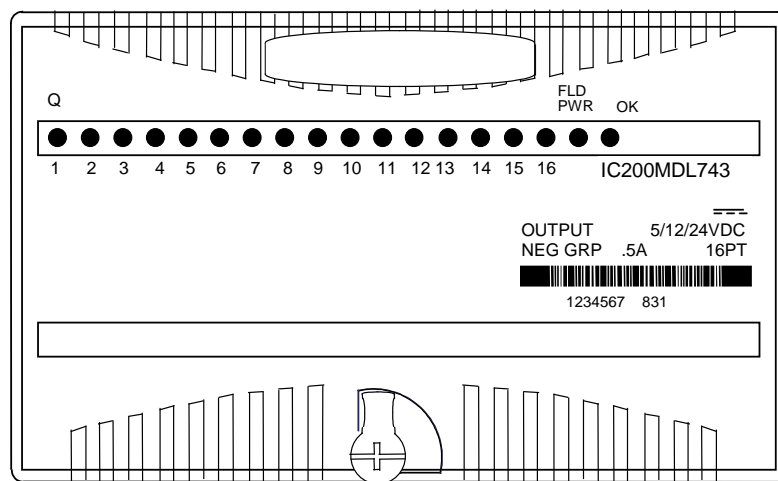
When wiring outputs to inductive loads, use of external suppression circuits is recommended. Refer to chapter 2, Installing Wiring for I/O Devices-Wiring to Inductive Loads.





**IC200MDL743**  
**Output Module, 5/12/24 V DC Negative Logic 0.5 A, 16 Points**

Discrete output module IC200MDL743 provides one group of 16 discrete outputs. The outputs are negative or sinking type outputs. They switch the loads to the negative (return) side of the DC supply and thus receive current from the loads.



An external DC power supply must be provided to switch power to the loads. Intelligent processing for this module is performed by the CPU or NIU. The module receives 16 bits of discrete output data.

### **LED Indicators**

Individual green LEDs indicate the on/off state of the output points. The LEDs are powered from the backplane. LED operation is dependent on the application of valid field power, but independent of load conditions.

The green FLD PWR LED is ON when field power is applied to the module.

The green OK LED is ON when backplane power is present to the module.

**IC200MDL743**  
**Output Module, 5/12/24 V DC Negative Logic 0.5 A, 16 Points**

**Module Specifications**

<b>Module Characteristics</b>											
Points	1 group of 16 outputs										
Module ID	FFFF8080										
Isolation:	250 V AC continuous; 1500 V AC for 1 minute										
User input to logic (optical) and to frame ground											
Group to group	Not applicable										
Point to point	None										
LED indicators	One LED per point shows individual point on/off state FLD PWR LED indicates field power is present OK LED indicates backplane power is present										
Backplane current consumption	5 V output: 70 mA maximum										
External power supply:											
5 V DC-TTL mode	+4.75 to +5.25 V DC, +5 V DC nominal										
12/24 V DC mode	+10.2 to +30 V DC, +12/24 V DC nominal										
Thermal derating	No derating required.										
<i>Compatibility</i>	<i>Cimplicity ME</i>	<i>Versa Pro</i>	<i>Control 90</i>	<i>CPU 001</i>	<i>CPU 002</i>	<i>CPU 005</i>	<i>CPU E05</i>	<i>DBI 001</i>	<i>EBI 001</i>	<i>GBI 001</i>	<i>PBI 001</i>
<i>HW,FW vers. FW release</i>	2.11	1.5	2.4	AA 1.0	AA 1.5	AA 2.1	AA 2.1	AA 1.1	AA 1.0	AA 1.0	AA 1.0
<b>Output Characteristics</b>											
Output voltage:											
5 V DC-TTL mode	+4.75 to +5.25 V DC, +5 V DC nominal										
12/24 V DC mode	+10.2 to +30 V DC, +12/24 V DC nominal										
Output voltage drop:											
5 V DC-TTL mode	0.4V maximum										
12/24 V DC mode	0.3V maximum										
Load current:											
5 V DC-TTL mode	25mA maximum										
12/24 V DC mode	0.5A at 30 V DC maximum (resistive) 2.0A inrush maximum for 100ms										
Output leakage current	0.5mA at 30 V DC maximum										
On response time	0.2ms maximum										
Off response time	1.0ms maximum										
Protection (each output)	No internal fuse										

*IC200MDL743*

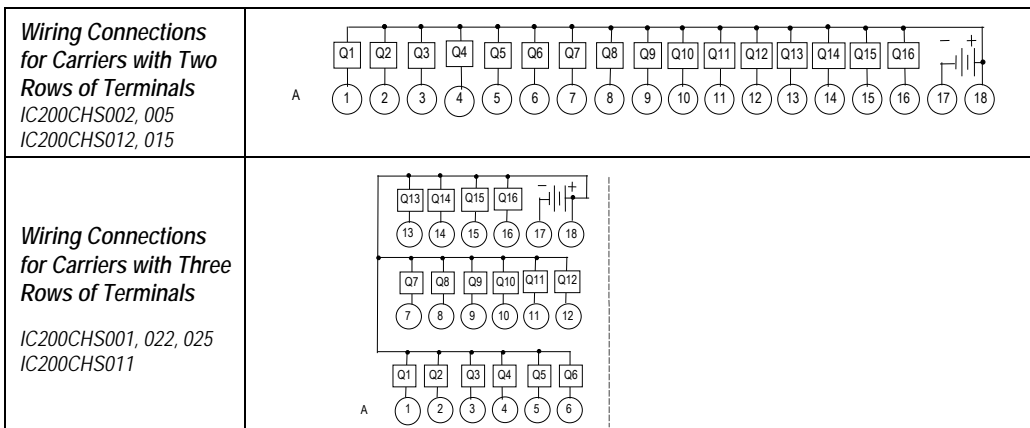
*Output Module, 5/12/24 V DC Negative Logic 0.5 A, 16 Points*

### Field Wiring

The 16 outputs form one group with a DC+ and a DC- terminal.

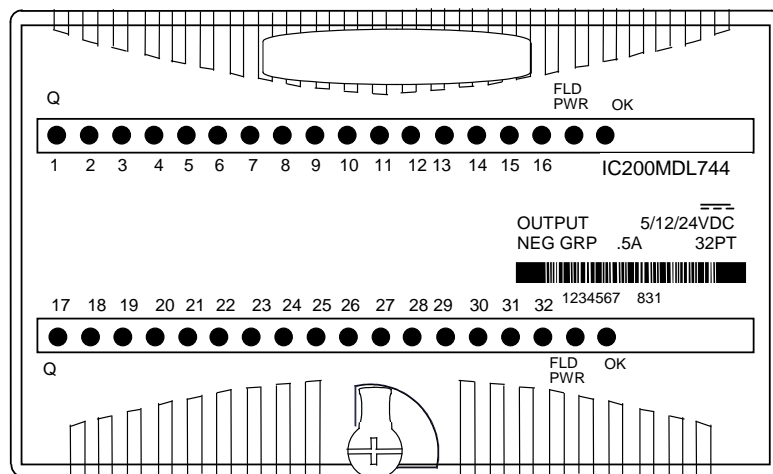
Terminal	Connection	Terminal	Connection
A1	Output 1	B1	No connection
A2	Output 2	B2	No connection
A3	Output 3	B3	No connection
A4	Output 4	B4	No connection
A5	Output 5	B5	No connection
A6	Output 6	B6	No connection
A7	Output 7	B7	No connection
A8	Output 8	B8	No connection
A9	Output 9	B9	No connection
A10	Output 10	B10	No connection
A11	Output 11	B11	No connection
A12	Output 12	B12	No connection
A13	Output 13	B13	No connection
A14	Output 14	B14	No connection
A15	Output 15	B15	No connection
A16	Output 16	B16	No connection
A17	DC -	B17	No connection
A18	DC +	B18	No connection

If additional bussed terminals are needed, the B terminals can be made available by using a shorting bar. The shorting bar has a maximum current-carrying capacity of 2A per point. Refer to chapter 2, Installing Wiring for I/O Devices-Wiring to Inductive Loads. When wiring outputs to inductive loads, use of external suppression circuits is recommended.



**IC200MDL744**  
**Output Module, 5/12/24 V DC Negative Logic 0.5 A, 32 Points**

Discrete output module IC200MDL744 provides two groups of 16 discrete outputs. The outputs are negative or sinking type outputs. They switch the loads to the negative (return) side of the DC supply and thus receive current from the loads.



An external DC power supply must be provided to switch power to the loads. Intelligent processing for this module is performed by the CPU or NIU. The module receives 32 bits of discrete output data.

### **LED Indicators**

Individual green LEDs indicate the on/off state of the output points. The LEDs are powered from the backplane. LED operation is dependent on the application of valid field power, but independent of load conditions.

The green FLD PWR LED is ON when field power is applied to the module.

The green OK LED is ON when backplane power is present to the module.

**IC200MDL744**

**Output Module, 5/12/24 V DC Negative Logic 0.5 A, 32 Points**

### Module Specifications

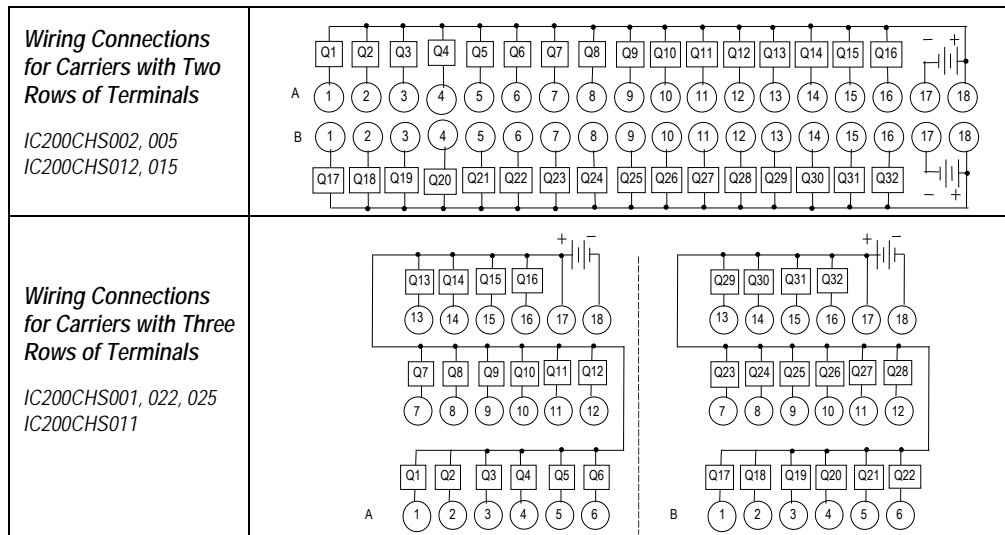
<b>Module Characteristics</b>											
Points	2 groups of 16 outputs										
Module ID	80808080										
Isolation:	User input to logic (optical) and to frame ground Group to group Point to point										
	250 V AC continuous; 1500 V AC for 1 minute 250 V AC continuous; 1500 V AC for 1 minute None										
LED indicators	One LED per point shows individual point on/off state FLD PWR LED indicates field power is present OK LED indicates backplane power is present										
Backplane current consumption	5 V output: 140mA maximum										
External power supply:	5 V DC-TTL mode 12/24 V DC mode										
	+4.75 to +5.25 V DC, +5 V DC nominal +10.2 to +30 V DC, +12/24 V DC nominal										
Thermal derating	Refer to associated diagrams										
<i>Compatibility</i>	<i>Cimplicity ME</i>	<i>Versa Pro</i>	<i>Control 90</i>	<i>CPU 001</i>	<i>CPU 002</i>	<i>CPU 005</i>	<i>CPU E05</i>	<i>DBI 001</i>	<i>EBI 001</i>	<i>GBI 001</i>	<i>PBI 001</i>
<i>HW,FW vers. FW release</i>	2.11	1.5	2.4	AA 1.0	AA 1.5	AA 2.1	AA 2.1	AA 1.1	AA 1.0	AA 1.0	AA 1.0
<b>Output Characteristics</b>											
Output voltage:	5 V DC-TTL mode 12/24 V DC mode										
	+4.75 to +5.25 V DC, +5 V DC nominal +10.2 to +30 V DC, +12/24 V DC nominal										
Output voltage drop:	5 V DC-TTL mode 12/24 V DC mode										
	0.4V maximum 0.3V maximum										
Load current:	5 V DC-TTL mode 12/24 V DC mode										
	25mA maximum 0.5A at 30 V DC maximum (resistive) 2.0A inrush maximum for 100ms										
Output leakage current	0.5mA at 30 V DC maximum										
On response time	0.2ms maximum										
Off response time	1.0ms maximum										
Protection	No internal fuses										

**IC200MDL744****Output Module, 5/12/24 V DC Negative Logic 0.5 A, 32 Points****Field Wiring**

Terminal	Connection	Terminal	Connection
A1	Output 1	B1	Output 17
A2	Output 2	B2	Output 18
A3	Output 3	B3	Output 19
A4	Output 4	B4	Output 20
A5	Output 5	B5	Output 21
A6	Output 6	B6	Output 22
A7	Output 7	B7	Output 23
A8	Output 8	B8	Output 24
A9	Output 9	B9	Output 25
A10	Output 10	B10	Output 26
A11	Output 11	B11	Output 27
A12	Output 12	B12	Output 28
A13	Output 13	B13	Output 29
A14	Output 14	B14	Output 30
A15	Output 15	B15	Output 31
A16	Output 16	B16	Output 32
A17	DC -	B17	DC -
A18	DC +	B18	DC +

The 32 outputs form two groups, each with a DC+ and a DC- terminal.

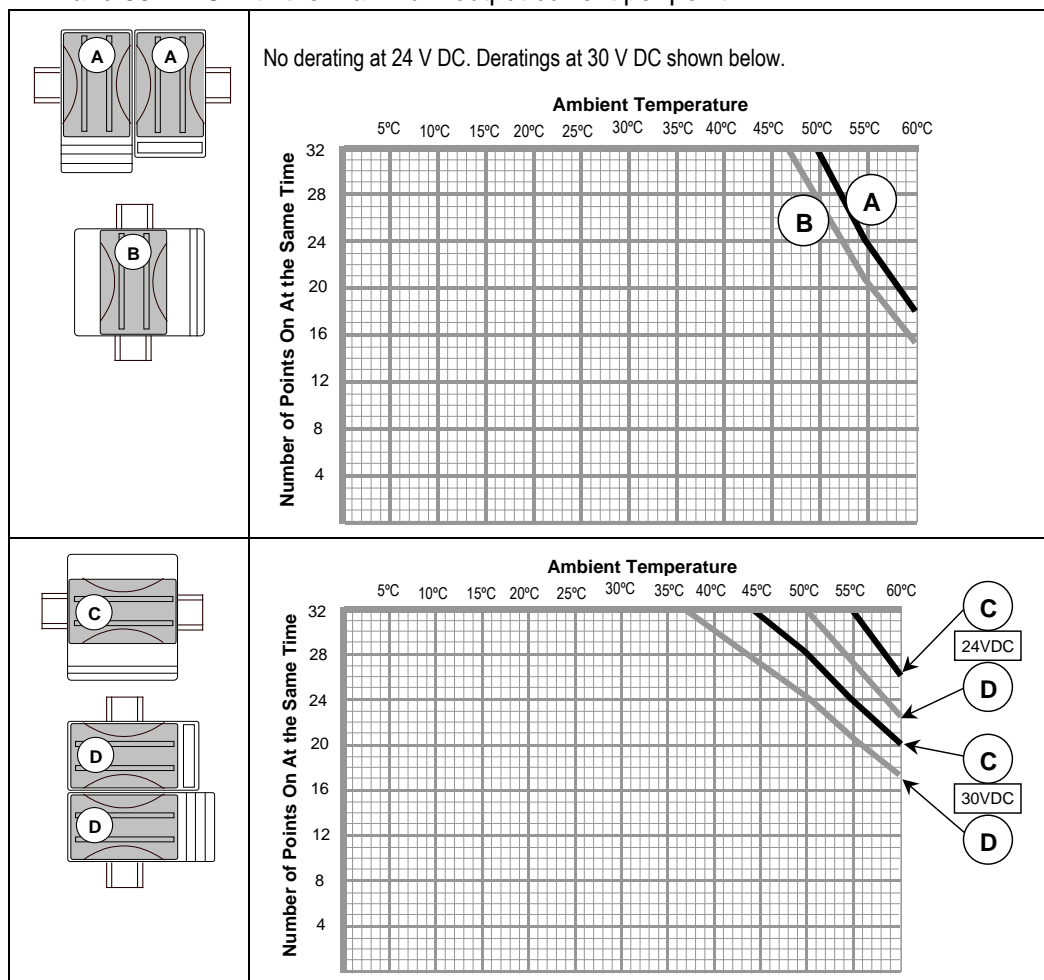
When wiring outputs to inductive loads, use of external suppression circuits is recommended. Refer to chapter 2, Installing Wiring for I/O Devices-Wiring to Inductive Loads.



**IC200MDL744**  
**Output Module, 5/12/24 V DC Negative Logic 0.5 A, 32 Points**

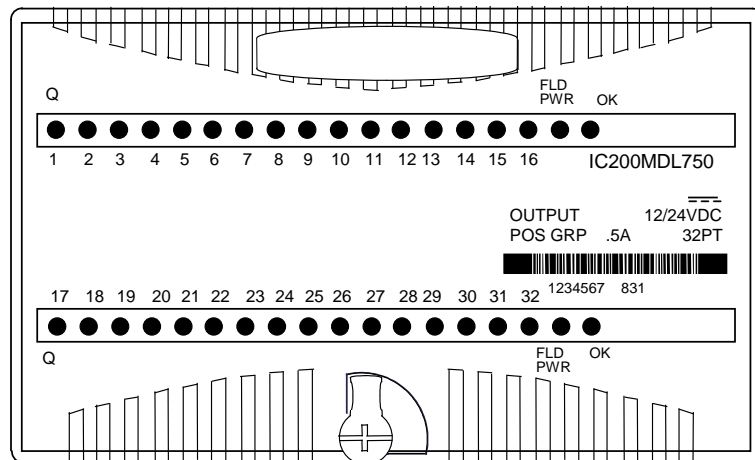
### Thermal Derating

The number of points that can be on at the same time depends on the ambient temperature, the external voltage, and the orientation of the module and DIN rail. The following charts display thermal deratings for the module at 24 V DC and 30 V DC with the maximum output current per point.



**IC200MDL750**  
**Output Module, 12/24 V DC Positive Logic 0.5 A, 32 Points**

Discrete output module IC200MDL750 provides two groups of 16 discrete outputs. The outputs are positive or sourcing type outputs. They switch the loads to the positive side of the DC supply and thus supply current to the loads.



**Note:** 12 V output functionality requires module version IC200MDL750B or higher.

An external DC power supply must be provided to switch power to the loads.

Intelligent processing for this module is performed by the CPU or NIU. The module receives 32 bits of discrete output data.

### LED Indicators

Individual green LEDs indicate the on/off state of the output points. Operation of these LEDs is dependent on field power but independent of load conditions.

The green FLD PWR LED is ON when field power is applied to the module.

The green OK LED is ON when backplane power is present to the module.



**IC200MDL750**  
**Output Module, 12/24 V DC Positive Logic 0.5 A, 32 Points**

### Module Specifications

<b>Module Characteristics</b>											
Points	2 groups of 16 outputs										
Module ID	80808080										
Isolation:	250 V AC continuous; 1500 V AC for 1 minute										
User input to logic (optical) and to frame ground	250 V AC continuous; 1500 V AC for 1 minute										
Group to group	250 V AC continuous; 1500 V AC for 1 minute										
Point to point	None										
LED indicators	One LED per point shows individual point on/off state FLD PWR LED indicates field power is present OK LED indicates backplane power is present										
Backplane current consumption	5 V output: 90mA maximum										
External power supply	+10.2 to +30 V DC, +12/24 V DC nominal										
Thermal derating	Refer to associated diagrams										
<i>Compatibility</i>	<i>Cimplicity ME</i>	<i>Versa Pro</i>	<i>Control 90</i>	<i>CPU 001</i>	<i>CPU 002</i>	<i>CPU 005</i>	<i>CPU E05</i>	<i>DBI 001</i>	<i>EBI 001</i>	<i>GBI 001</i>	<i>PBI 001</i>
<i>HW,FW vers. FW release</i>	2.11	1.0	2.2	AA 1.0	AA 1.5	AA 2.1	AA 2.1	AA 1.1	AA 1.0	AA 1.0	AA 1.0
<b>Output Characteristics</b>											
Output voltage	+10.2 to +30 V DC, +12/24 V DC nominal										
Output voltage drop	0.3V maximum										
Load current	0.5A at 30 V DC maximum (resistive) 2.0A maximum for 100ms inrush										
Output leakage current	0.5mA at 30 V DC maximum										
On response time	0.2ms, maximum										
Off response time	1.0ms maximum										
Protection	No internal fuses										

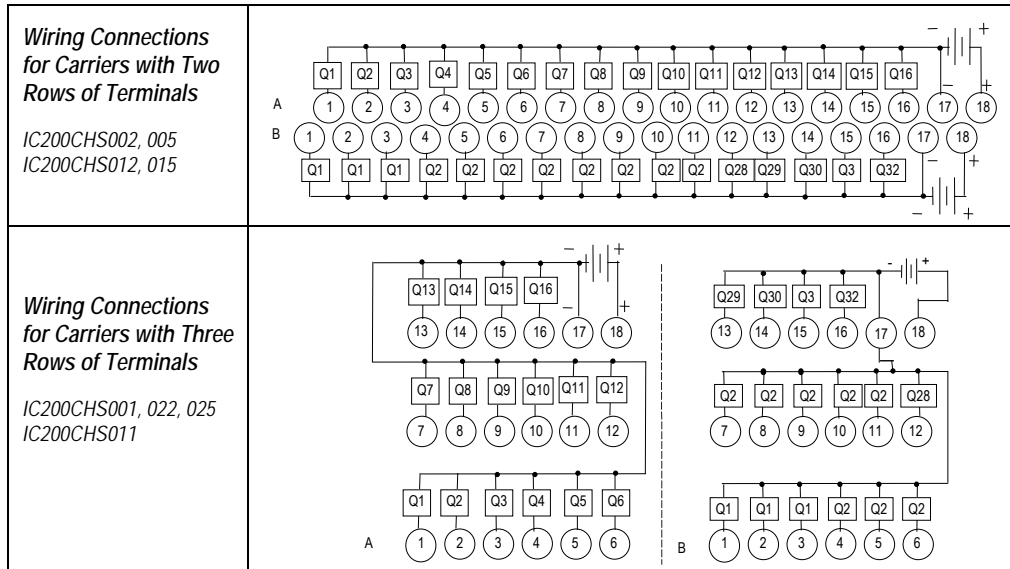
**IC200MDL750**  
**Output Module, 12/24 V DC Positive Logic 0.5 A, 32 Points**

*Field Wiring*

Terminal	Connection	Terminal	Connection
A1	Output 1	B1	Output 17
A2	Output 2	B2	Output 18
A3	Output 3	B3	Output 19
A4	Output 4	B4	Output 20
A5	Output 5	B5	Output 21
A6	Output 6	B6	Output 22
A7	Output 7	B7	Output 23
A8	Output 8	B8	Output 24
A9	Output 9	B9	Output 25
A10	Output 10	B10	Output 26
A11	Output 11	B11	Output 27
A12	Output 12	B12	Output 28
A13	Output 13	B13	Output 29
A14	Output 14	B14	Output 30
A15	Output 15	B15	Output 31
A16	Output 16	B16	Output 32
A17	DC -	B17	DC -
A18	DC +	B18	DC +

The 32 outputs form two groups, each with a DC+ and a DC- terminal.

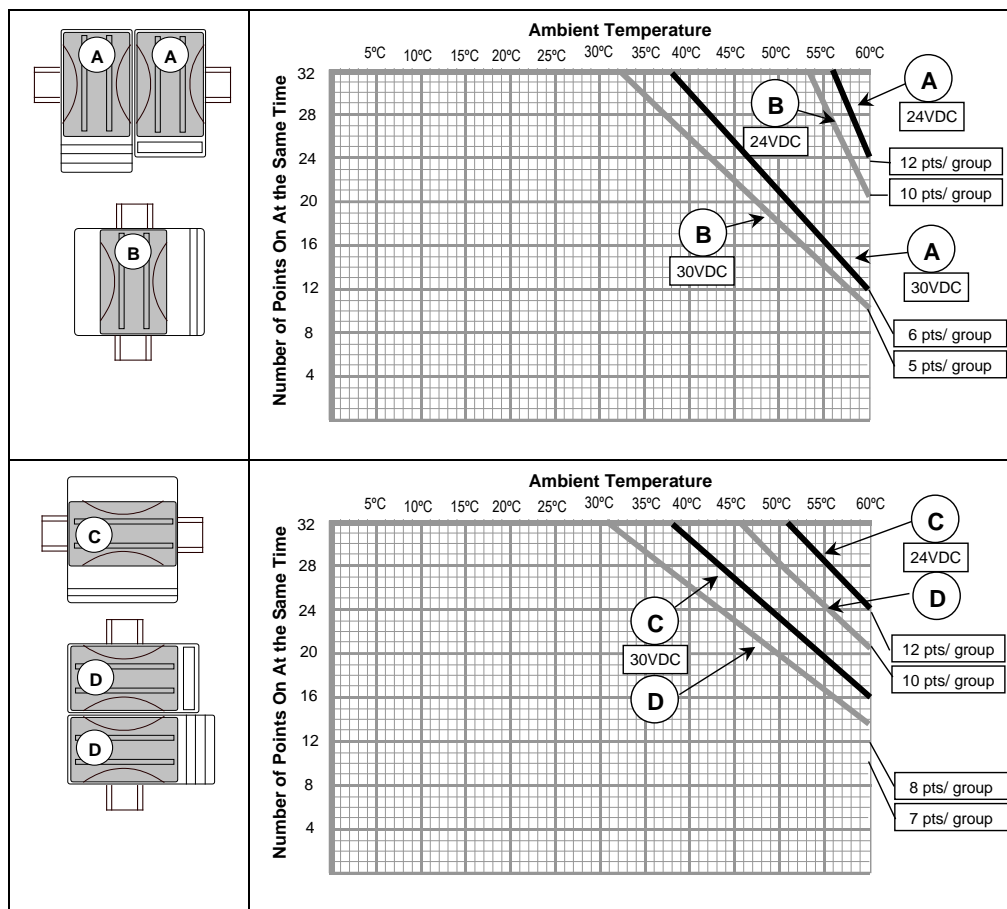
When wiring outputs to inductive loads, use of external suppression circuits is recommended. Refer to chapter 2, Installing Wiring for I/O Devices-Wiring to Inductive Loads.



**IC200MDL750**  
**Output Module, 12/24 V DC Positive Logic 0.5 A, 32 Points**

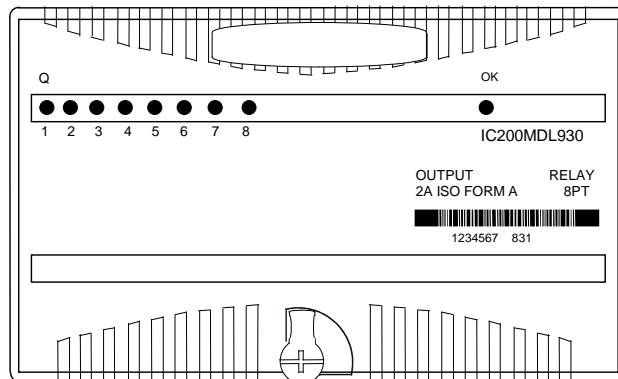
### Thermal Derating

The number of points that can be on at the same time depends on the ambient temperature, the external voltage, and the orientation of the module and DIN rail. The following charts display an example of thermal deratings for the module at 24 V DC and 30 V DC with the maximum output current per point.



**IC200MDL930**  
**Output Module, Relay 2.0 A Isolated Form A 8 Points**

Relay output module IC200MDL930 provides 8 individually-isolated Form A relay outputs. The contact is closed when the host CPU is active and the corresponding output logic bit is "1".



Power for module operation comes from the backplane. Loads must be powered by an external source.

Intelligent processing for this module is performed by the CPU or NIU. The module receives 8 bits of discrete output data.

**LED Indicators**

Individual green logic-side LEDs indicate the On/Off status of each output point. Output LEDs are logic-driven and independent of the load conditions.

The green OK LED is ON when backplane power is present to the module.

**IC200MDL930**  
**Output Module, Relay 2.0 A Isolated Form A 8 Points**

### Module Specifications

<b>Module Characteristics</b>											
Points	8 individually isolated Form A relay outputs										
Module ID	FFFF8040										
Isolation:	250 V AC continuous; 1500 V AC for 1 minute										
User input to logic (optical) and to frame ground	250 V AC continuous; 1500 V AC for 1 minute										
Group to group	Not applicable										
Point to point	250 V AC continuous; 1500 V AC for 1 minute										
LED indicators	One LED per point shows individual point ON/OFF status OK LED indicates backplane power is present										
Backplane current consumption	5 V output: 245mA maximum. See graph										
External power supply	0 to 125 V DC, 5/24/125 V DC nominal 0 to 265 V AC (47 to 63Hz), 120/240 V AC nominal										
Thermal derating	None										
<i>Compatibility</i>	<i>Cimplicity ME</i>	<i>Versa Pro</i>	<i>Control 90</i>	<i>CPU 001</i>	<i>CPU 002</i>	<i>CPU 005</i>	<i>CPU E05</i>	<i>DBI 001</i>	<i>EBI 001</i>	<i>GBI 001</i>	<i>PBI 001</i>
<i>HW,FW vers. FW release</i>	2.11	1.0	2.2	AA 1.0	AA 1.5	AA 2.1	AA 2.1	AA 1.1	AA 1.0	AA 1.0	AA 1.0
<b>Output Characteristics</b>											
Output voltage	0 to 125 V DC, 5/24/125 V DC nominal 0 to 265 V AC (47 to 63Hz), 120/240 V AC nominal										
Output voltage drop	0.3V maximum										
Load current	10mA per point minimum 2.0A for 5 to 265 V AC maximum (resistive) 2.0A for 5 to 30 V DC maximum (resistive) 0.2A for 31 to 125 V DC maximum (resistive)										
Output leakage current	Not applicable (open contact)										
On response time	10ms maximum										
Off response time	10ms maximum										
Protection	No internal fuses or snubbers										
Switching frequency	20 cycles per minute (inductive load)										
Relay type	Fixed coil, moving armature										
Contact type	Silver alloy										
Contact life	See appendix B										

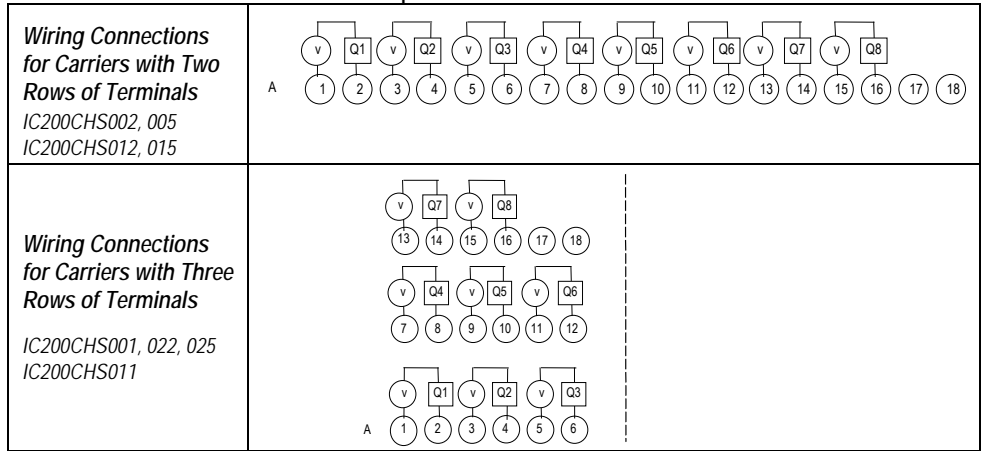
**IC200MDL930**  
**Output Module, Relay 2.0 A Isolated Form A 8 Points**

*Field Wiring*

Terminal	Connection	Terminal	Connection
A1	Output 1-1	B1	No connection
A2	Output 1-2	B2	No connection
A3	Output 2-1	B3	No connection
A4	Output 2-2	B4	No connection
A5	Output 3-1	B5	No connection
A6	Output 3-2	B6	No connection
A7	Output 4-1	B7	No connection
A8	Output 4-2	B8	No connection
A9	Output 5-1	B9	No connection
A10	Output 5-2	B10	No connection
A11	Output 6-1	B11	No connection
A12	Output 6-2	B12	No connection
A13	Output 7-1	B13	No connection
A14	Output 7-2	B14	No connection
A15	Output 8-1	B15	No connection
A16	Output 8-2	B16	No connection
A17	No connection	B17	No connection
A18	No connection	B18	No connection

Outputs are individually isolated. If additional bussed terminals are needed, the B terminals can be made available by using a shorting bar. The shorting bar has a maximum current-carrying capacity of 2 A per point. Refer to chapter 2, Installing Wiring for I/O Devices-Wiring to Inductive Loads, for additional information about using the shorting bar.

When wiring outputs to inductive loads, use of external suppression circuits is recommended. Refer to chapter 2.



---

*IC200MDL930*

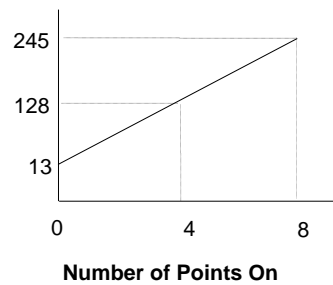
*Output Module, Relay 2.0 A Isolated Form A 8 Points*

***Backplane Power Drain per Point***

The module's backplane 5 volt power requirement increases as the number of points that are simultaneously on increases. The following chart displays the relationship between the number of points on and the maximum current required.

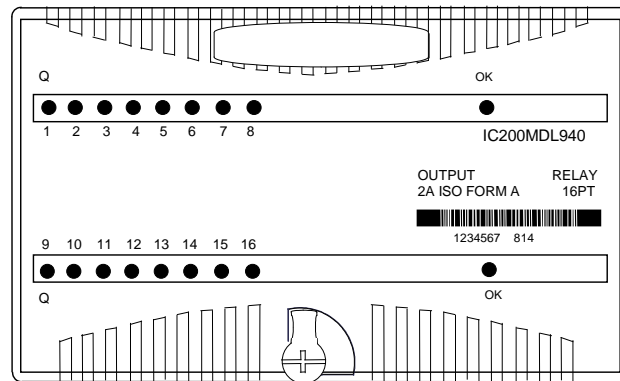
$$\text{mA} = 13 + (28 \times \text{number of points on})$$

**Maximum Current Drawn from Backplane (mA)**



**IC200MDL940**  
**Output Module, Relay 2.0 A, Isolated Form A 16 Points**

Relay Output Module IC200MDL940 provides 16 individually-isolated Form A relay outputs. The contact is closed when the host CPU is active and the corresponding output logic bit is "1".



Power for module operation comes from the backplane. Loads must be powered by an external source.

Intelligent processing for this module is performed by the CPU or NIU. The module receives 16 bits of discrete output data.

### **LED Indicators**

Individual green logic-side LEDs indicate the On/Off status of each output point. The output LEDs are logic-driven and independent of load conditions.

The green OK LED is ON when backplane power is present to the module.



**IC200MDL940**  
**Output Module, Relay 2.0 A, Isolated Form A 16 Points**

### Module Specifications

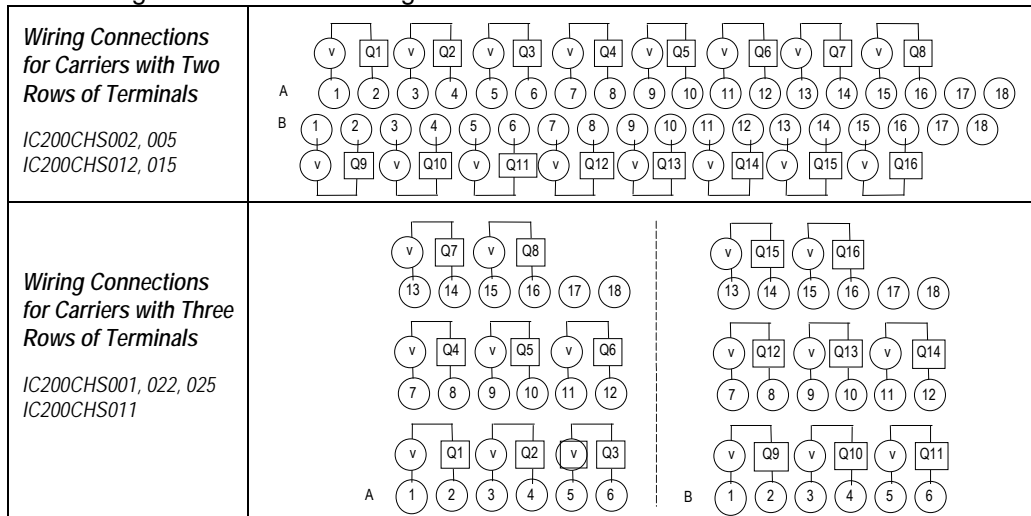
<b>Module Characteristics</b>											
Points		16 individually isolated Form A relay outputs									
Module ID		80408040									
Isolation:		250 V AC continuous; 1500 V AC for 1 minute									
User input to logic (optical) or frame ground		250 V AC continuous; 1500 V AC for 1 minute									
Group to group		250 V AC continuous; 1500 V AC for 1 minute									
Point to point		250 V AC continuous; 1500 V AC for 1 minute									
LED indicators		One LED per point shows individual point ON/OFF state OK LED indicates backplane power is present									
Backplane current consumption		5 V output: 490mA maximum									
External power supply		0 to 125 V DC, 5/24/125 V DC nominal 0 to 265 V AC (47 to 63Hz), 120/240 V AC nominal									
Thermal derating		None									
<i>Compatibility</i>	<i>Cimplicity ME</i>	<i>Versa Pro</i>	<i>Control 90</i>	<i>CPU 001</i>	<i>CPU 002</i>	<i>CPU 005</i>	<i>CPU E05</i>	<i>DBI 001</i>	<i>EBI 001</i>	<i>GBI 001</i>	<i>PBI 001</i>
<i>HW,FW vers. FW release</i>	2.11	1.0	2.2	AA 1.0	AA 1.5	AA 2.1	AA 2.1	AA 1.1	AA 1.0	AA 1.0	AA 1.0
<b>Output Characteristics</b>											
Output voltage		0 to 125 V DC, 5/24/125 V DC nominal 0 to 265 V AC (47 to 63Hz), 120/240 V AC nominal									
Output voltage drop		0.3V maximum									
Load current		10mA per point minimum 2.0A for 5 to 265 V AC maximum (resistive) 2.0A for 5 to 30 V DC maximum (resistive) 0.2A for 31 to 125 V DC maximum (resistive)									
Output leakage current		Not applicable (open contact)									
On response time		10ms maximum									
Off response time		10ms maximum									
Protection		No internal fuses or snubbers									
Switching frequency		20 cycles per minute (inductive load)									
Relay type		Fixed coil, moving armature									
Contact type		Silver alloy									
Contact life		See appendix D									

**IC200MDL940**  
**Output Module, Relay 2.0 A, Isolated Form A 16 Points**

*Field Wiring*

Terminal	Connection	Terminal	Connection
A1	Output 1-1	B1	Output 9-1
A2	Output 1-2	B2	Output 9-2
A3	Output 2-1	B3	Output 10-1
A4	Output 2-2	B4	Output 10-2
A5	Output 3-1	B5	Output 11-1
A6	Output 3-2	B6	Output 11-2
A7	Output 4-1	B7	Output 12-1
A8	Output 4-2	B8	Output 12-2
A9	Output 5-1	B9	Output 13-1
A10	Output 5-2	B10	Output 13-2
A11	Output 6-1	B11	Output 14-1
A12	Output 6-2	B12	Output 14-2
A13	Output 7-1	B13	Output 15-1
A14	Output 7-2	B14	Output 15-2
A15	Output 8-1	B15	Output 16-1
A16	Output 8-2	B16	Output 16-2
A17	No connection	B17	No connection
A18	No connection	B18	No connection

Outputs are individually isolated. When wiring outputs to inductive loads, use of external suppression circuits is recommended. Refer to chapter 2, Installing Wiring for I/O Devices-Wiring to Inductive Loads.



*IC200MDL940*

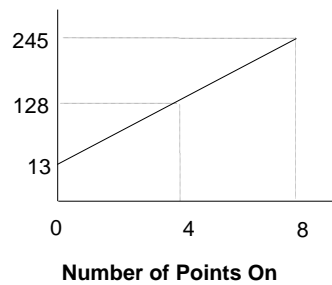
*Output Module, Relay 2.0 A, Isolated Form A 16 Points*

### *Backplane Power Drain per Point*

The module's backplane 5 volt power requirement increases as the number of points that are simultaneously on increases. The following chart displays the relationship between the number of points on and the maximum current required.

$$\text{mA} = 13 + (28 \times \text{number of points on})$$

**Maximum Current Drawn from Backplane (mA)**



# Chapter 9

## Discrete Mixed Modules

---

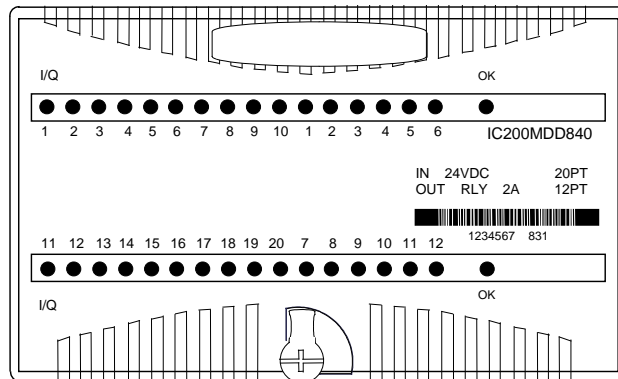
---

This chapter describes discrete modules with both inputs and outputs. Refer to chapter 13 for information about module IC200MDD841 (Mixed 24 V DC Positive Logic Input 20 Point / Output 12 Point / 4 High Speed Counter, PWM, or Pulse Train points).

- IC200MDD840 Mixed Module, 24 V DC Positive Logic Input 20 Points / Output Relay 2.0 A 12 Points
- IC200MDD842 Mixed Module, Output 24 V DC Pos. Logic 0.5A Grouped w/ESCP 16 Pts / Input 24 V DC Pos/Neg Logic Grouped 16 Pts
- IC200MDD843 Mixed Module, 24 V DC Positive Logic Input Grouped 10 Points / Output Relay 2.0A per Point Grouped 6 Points
- IC200MDD844 Mixed Module, Output 12/24 V DC Pos. Logic 0.5A 16 Points / Input 24 V DC Pos/Neg Logic Grouped 16 Points
- IC200MDD845 Mixed Module, Output Relay 2.0A Isolated 8 Points / Input 24 V DC Pos/Neg Logic Grouped 16 Points
- IC200MDD846 Mixed Module, Output Relay 2.0A per Pt Isolated 8 Points / Input 120 V AC Grouped 8 Points
- IC200MDD847 Mixed Module, Output Relay 2.0A per Pt Isolated 8 Points / Input 240 V AC Grouped 8 Points
- IC200MDD848 Mixed Module, Output 120 V AC 0.5A per Pt Isolated 8 Points / Input 120 V AC Grouped 8 Points
- IC200MDD849 Mixed Module Output Relay 2.0A per Pt Isolated 8 Points / Input 120 V AC Isolated 8 Points
- IC200MDD850 Mixed Module, Output Relay 2.0A per Pt Isolated 8 Points / Input 240 V AC Isolated 4 Points
- IC200MDD851 Mixed Module, Output 12/24 V DC Positive Logic Grouped 16 Points / Input 5/12 V DC Pos/Neg Logic Grouped 16 Points

**IC200MDD840**  
**Mixed Module, 24 V DC Positive Logic Input 20 Points /  
 Output Relay 2.0 A 12 Points**

Discrete input/output module IC200MDD840 provides 20 discrete inputs and 12 relay outputs. The inputs form two groups of 10 points. Inputs are positive logic or sourcing-type inputs; they receive current from devices and return the current on the common. The relay outputs form two groups of 6 points. Each output group can drive a maximum of 8 A.



Power for module operation comes from the backplane. Output loads must be powered by an external source.

Intelligent processing for the module is performed by the CPU or NIU. The module provides 20 bits of discrete input data and receives 12 bits of discrete output data.

### LED Indicators

Individual green LEDs indicate the on/off state of the output points and input points.

The output LEDs are logic-driven and independent of the load conditions.

The green OK LED is ON when backplane power is present to the module.

### Configuration Parameters

The module's basic input on/off response time is 0.5ms.

For some applications, it may be preferable to add additional filtering to compensate for conditions such as noise spikes or switch bounce. Input filter times of 0ms, 1.0ms, or 7.0ms are selectable through software configuration, for total response times of 0.5ms, 1.5ms, and 7.5ms respectively. The default is 1.0ms filter time (total response time is 1.5ms).

**IC200MDD840**  
**Mixed Module, 24 V DC Positive Logic Input 20 Points /  
 Output Relay 2.0 A 12 Points**

### Module Specifications

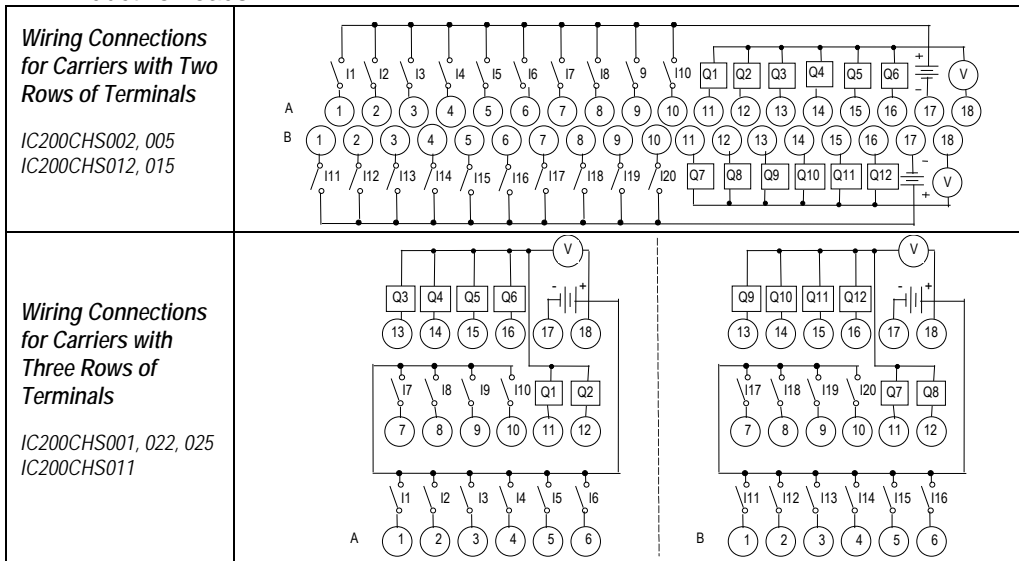
<b>Module Characteristics</b>									
Points	20 positive DC inputs, two groups of 10 12 Form A relay outputs, two groups of 6								
Module ID	80358035								
Isolation:	250 V AC continuous; 1500 V AC for 1 minute								
User input/output to logic (optical) and frame ground	250 V AC continuous; 1500 V AC for 1 minute								
Group to group	None								
Point to point									
LED indicators	One LED per point shows individual point on/off state OK LED indicates backplane power is present								
Backplane current consumption	5V output: 375mA maximum								
External power supply	0 to 125 V DC, 5/24/125 V DC nominal 0 to 265 V AC (47 to 63Hz), 120/240 V AC nominal								
Thermal derating	None								
Configuration parameters	Input response time								
<i>Compatibility</i>	<i>PME programmer</i>	<i>CPU 001</i>	<i>CPU 002</i>	<i>CPU 005</i>	<i>CPU E05</i>	<i>DBI 001</i>	<i>EBI 001</i>	<i>GBI 001</i>	<i>PBI 001</i>
<i>HW,FW vers. FW release</i>	All	AA 1.0	AA 1.5	AA 2.1	AA 2.1	AA 1.1	AA 1.0	AA 1.0	AA 1.0
<b>Input Characteristics</b>									
Input voltage	0 to +30 V DC, +24 V DC nominal								
On state voltage	+15 to +30 V DC								
Off state voltage	0 to +5 V DC								
On state current	2.0 to 5.5mA								
Off state current	0 to 0.5mA								
On, Off response time	0.5ms maximum								
Configurable filter time	0ms, 1.0ms (default), or 7.0ms								
Input impedance	10 kΩ, maximum								
<b>Output Characteristics</b>									
Output voltage	0 to 125 V DC, 5/24/125 V DC nominal 0 or 265 V AC (47 to 63Hz), 120/240 V AC nominal								
Output voltage drop	0.3V maximum								
Load current	10mA per point minimum 2.0A for 5 to 265 V AC max. (resistive), 8.0A max. per group 2.0A for 5 to 30 V DC max. (resistive), 8.0A max. per group 0.2 A for 31 to 125 V DC maximum (resistive)								
Output leakage current	Not applicable (open contact)								
On, Off response time	10ms maximum								
Protection	No internal fuses or snubbers								
Switching frequency	20 cycles per minute (inductive load)								
Relay type	Fixed coil, moving armature								
Contact type	Silver alloy								
Contact life	Refer to appendix B								

**IC200MDD840**  
**Mixed Module, 24 V DC Positive Logic Input 20 Points /**  
**Output Relay 2.0 A 12 Points**

**Field Wiring**

Terminal	Connection	Terminal	Connection
A1	Input 1	B1	Input 11
A2	Input 2	B2	Input 12
A3	Input 3	B3	Input 13
A4	Input 4	B4	Input 14
A5	Input 5	B5	Input 15
A6	Input 6	B6	Input 16
A7	Input 7	B7	Input 17
A8	Input 8	B8	Input 18
A9	Input 9	B9	Input 19
A10	Input 10	B10	Input 20
A11	Output 1	B11	Output 7
A12	Output 2	B12	Output 8
A13	Output 3	B13	Output 9
A14	Output 4	B14	Output 10
A15	Output 5	B15	Output 11
A16	Output 6	B16	Output 12
A17	Inputs 1-10 Common	B17	Inputs 11-20 Common
A18	Outputs 1-6 Common	B18	Outputs 7-12 Common

When wiring outputs to inductive loads, use of external suppression circuits is recommended. Refer to chapter 2, Installing Wiring for I/O Devices-Wiring to Inductive Loads.



*IC200MDD840*

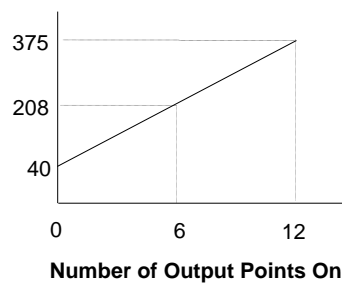
*Mixed Module, 24 V DC Positive Logic Input 20 Points /  
Output Relay 2.0 A 12 Points*

### *Backplane Power Drain per Point*

The module's backplane 5 V power requirement increases as the number of points that are simultaneously on increases. The following chart displays the relationship between the number of points on and the maximum current required.

$$\text{mA} = 40 + (28 \times \text{number of output points on})$$

**Maximum Current Drawn from Backplane (mA)**

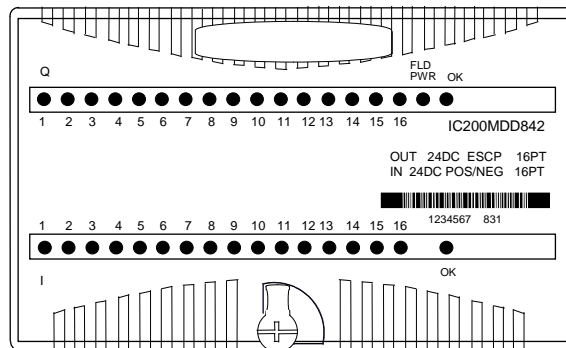




**IC200MDD842**

**Mixed Module, Output 24 V DC Pos. Logic 0.5A Grouped w/ESCP 16 Points  
/ Input 24 V DC Pos/Neg Logic Grouped 16 Points**

Discrete input/output module IC200MDD842 provides one group of 16 discrete outputs w/ESCP and two groups of 8 discrete inputs. The outputs are positive or sourcing type outputs. Each point has electronic over-current protection and short circuit protection, and generates a fault if either condition exists. They switch the loads to the positive side of the DC supply and thus supply current to the loads. Inputs in each group can be either positive logic inputs that receive current from input devices and return the current on the common, or negative-logic inputs that receive current from the common and return current to the input device. Input devices are connected between the input terminals and common terminals.



**Note:** Negative-logic functionality requires module version IC200MDD842B or higher.

An external DC power supply must be provided to switch power to the loads. Intelligent processing for this module is performed by the CPU or NILU. The module provides 16 bits of discrete input data and receives 16 bits of discrete output data.

**LED Indicators**

Individual green LEDs indicate the on/off state of the output points and input points. Operation of the output LEDs is dependent on field power, but independent of load conditions. Individual amber LEDs indicate overload conditions on each output point. The green FLD PWR LED is ON when field power is applied to the module. The green OK LED is ON when backplane power is present to the module.

---

<i>IC200MDD842</i>
<i>Mixed Module, Output 24 V DC Pos. Logic 0.5A Grouped w/ESCP 16 Points / Input 24 V DC Pos/Neg Logic Grouped 16 Points</i>

### *Configuration Parameters*

The module's basic input on/off response time is 0.5ms. For some applications, it may be preferable to add additional filtering to compensate for conditions such as noise spikes or switch bounce. Input filter times of 0ms, 1.0ms, or 7.0ms are selectable through software configuration, for total response times of 0.5ms, 1.5ms, and 7.5ms respectively. The default is 1.0ms filter time (total response time is 1.5ms).

### *Diagnostics*

The module reports the presence of any overloaded points to the system on a per-module basis. Amber LEDs indicate the overload conditions on a per-point basis. Once the overload condition is removed, normal operation is resumed.

**IC200MDD842**  
**Mixed Module, Output 24 V DC Pos. Logic 0.5A Grouped w/ESCP 16 Points**  
**/ Input 24 V DC Pos/Neg Logic Grouped 16 Points**

### Module Specifications

<b>Module Characteristics</b>										
Points	1 group of 16 outputs 2 groups of 8 inputs									
Module ID	80088080									
Isolation:	250 V AC continuous; 1500 V AC for 1 minute									
User input to logic (optical) and to frame ground	250 V AC continuous; 1500 V AC for 1 minute									
Group to group	250 V AC continuous; 1500 V AC for 1 minute									
Point to point	None									
LED indicators	One green LED per point shows individual point on/off state. One amber LED per point shows individual point overloads for outputs. FLD PWR LED indicates field power is present OK LED indicates backplane power is present									
Backplane current consumption	5V output: 100mA maximum									
External power supply	+18 to +30 V DC, +24 V DC nominal									
Thermal derating	Refer to diagram									
Configuration parameters	Input response time									
<i>Compatibility</i>	<i>PME software</i>	<i>CPU 001</i>	<i>CPU 002</i>	<i>CPU 005</i>	<i>CPU E05</i>	<i>DBI 001</i>	<i>EBI 001</i>	<i>GBI 001</i>	<i>PBI 001</i>	
<i>HW,FW vers.</i> <i>FW release</i>	All	AA 1.5	AA 2.1	AA 2.1	AA 1.1	AA 1.0	AA 1.0	AA 1.0	AA 1.0	AA 1.0
<b>Input Characteristics</b>										
Input voltage	0 to +30 V DC, +24 V DC nominal									
On state voltage	+15 to +30 V DC									
Off state voltage	0 to +5 V DC									
On state current	2.0 to 5.5mA									
Off state current	0 to 0.5mA									
On response time	0.5ms maximum									
Off response time	0.5ms maximum									
Additional configurable filter time	0 ms, 1.0ms (default), or 7.0ms									
Input impedance	10kΩ maximum									
<b>Output Characteristics</b>										
Output voltage	+18 to +30 V DC, +24 V DC nominal									
Output voltage drop	0.5V maximum									
Steady-state overcurrent trip point	1.6A typical, 0.7A to 2.5A maximum range									
Load current	0.5 A at 30 V DC maximum (resistive) 2.0 A maximum for 100ms inrush									
Output leakage current	0.5mA at 30 V DC maximum									
On response time	0.5ms maximum									
Off response time	0.5ms maximum									
Protection (each output)	Short circuit protection, overcurrent protection, free-wheeling diodes									

---

*IC200MDD842*

*Mixed Module, Output 24 V DC Pos. Logic 0.5A Grouped w/ESCP 16 Points  
/ Input 24 V DC Pos/Neg Logic Grouped 16 Points*

### *External Power Supply Requirements*

The external power supply used to power the loads must provide sufficient field power for the module during short circuit events. When a load is shorted, an inadequate external power supply may allow field power to drop below the specified operating range, causing mis-operation of the module. The external power supply must be capable of providing short circuit energy without degradation of output voltage levels. The amount of energy required depends on the number of simultaneously-short-circuited points that might occur. Refer to power supply short circuit operation specifications when selecting the power supply to be used with the loads.

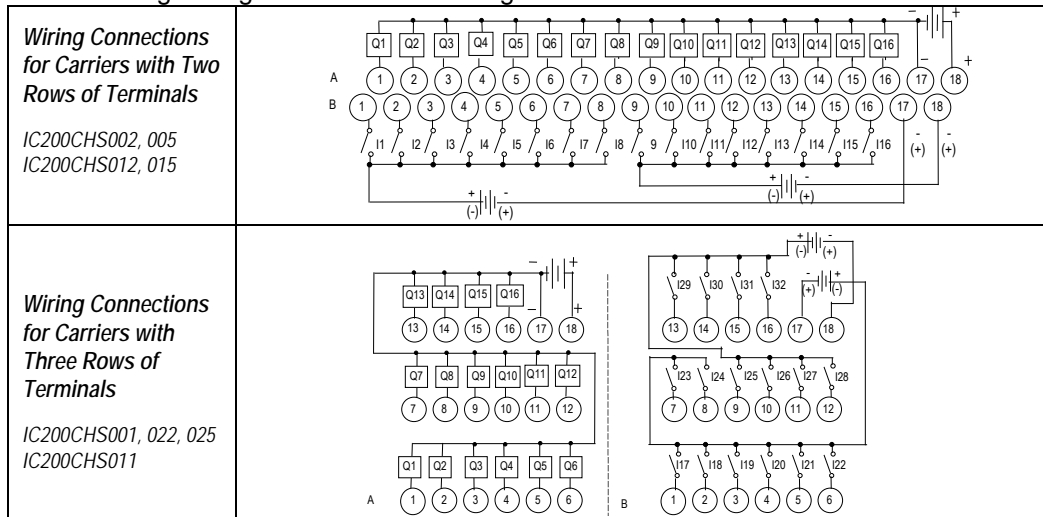
Local energy storage (either batteries or capacitors) can be used to compensate for insufficient power supply characteristics. Additional best practices including minimizing wiring resistance from the external power supply to the module must be observed.

**IC200MDD842**  
**Mixed Module, Output 24 V DC Pos. Logic 0.5A Grouped w/ESCP 16 Points**  
**/ Input 24 V DC Pos/Neg Logic Grouped 16 Points**

**Field Wiring**

Terminal	Connection	Terminal	Connection
A1	Output 1	B1	Input 1
A2	Output 2	B2	Input 2
A3	Output 3	B3	Input 3
A4	Output 4	B4	Input 4
A5	Output 5	B5	Input 5
A6	Output 6	B6	Input 6
A7	Output 7	B7	Input 7
A8	Output 8	B8	Input 8
A9	Output 9	B9	Input 9
A10	Output 10	B10	Input 10
A11	Output 11	B11	Input 11
A12	Output 12	B12	Input 12
A13	Output 13	B13	Input 13
A14	Output 14	B14	Input 14
A15	Output 15	B15	Input 15
A16	Output 16	B16	Input 16
A17	DC -	B17	Inputs 1-8 Common
A18	DC +	B18	Inputs 9-16 Common

The 16 outputs form one group with a DC+ and a DC- terminal. The 16 inputs form two groups of 8. Each group has a common return. Each group may be wired for positive or negative logic inputs. Negative-logic functionality requires module version IC200MDD842B or higher. When wiring outputs to inductive loads, use of external suppression circuits is recommended. Refer to chapter 2, Installing Wiring for I/O Devices-Wiring to Inductive Loads.

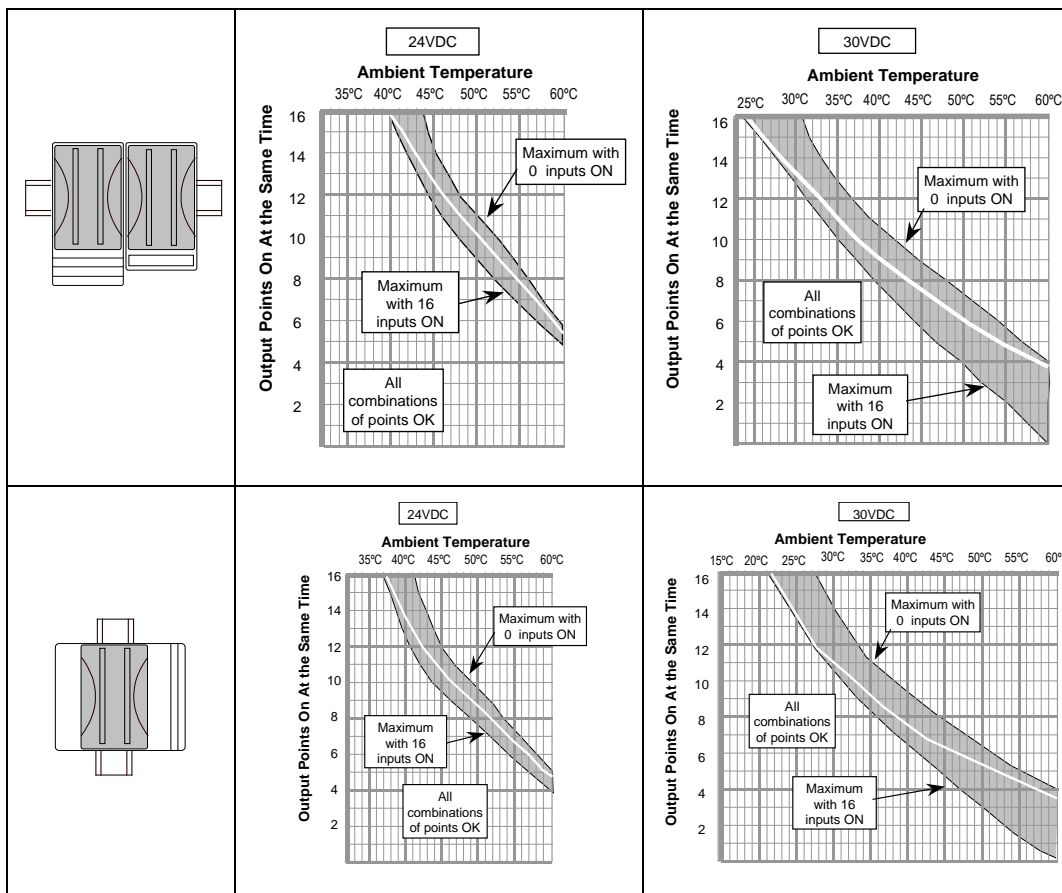


**IC200MDD842**

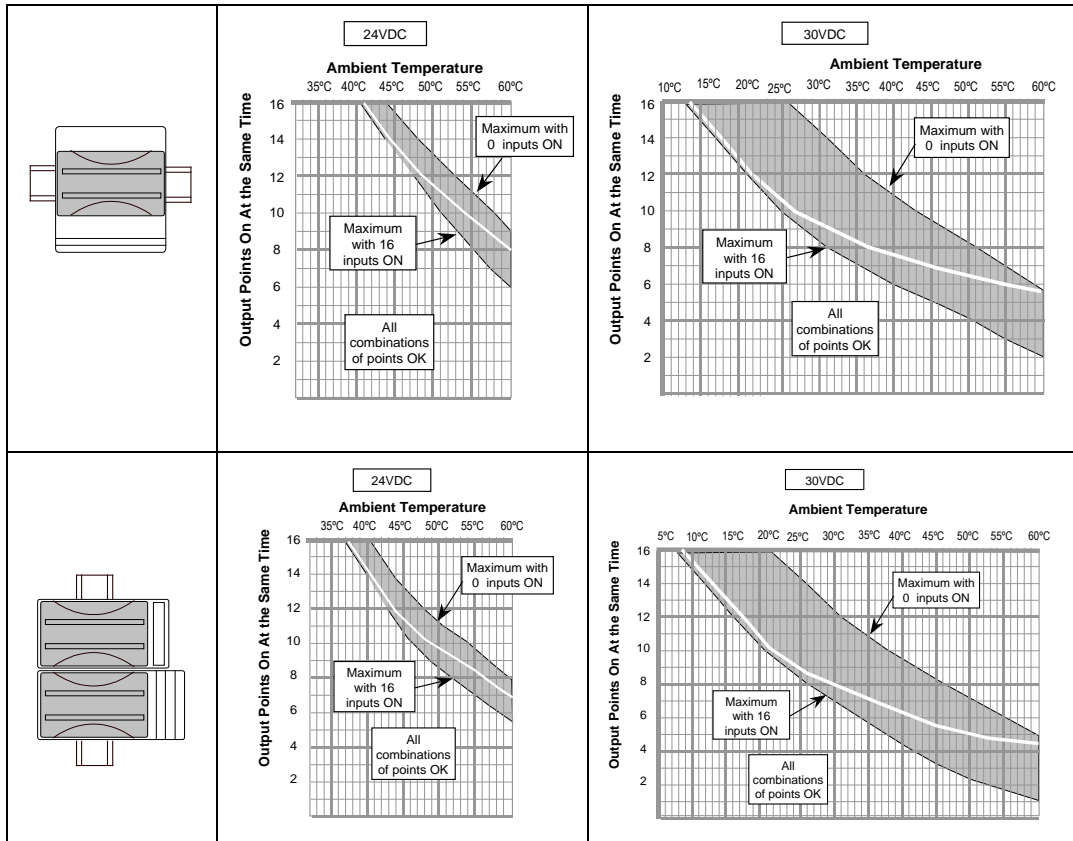
**Mixed Module, Output 24 V DC Pos. Logic 0.5A Grouped w/ESCP 16 Points  
/ Input 24 V DC Pos/Neg Logic Grouped 16 Points**

### Thermal Derating

The number of points that can be on at the same time depends on the ambient temperature, the external voltage, and the orientation of the module and DIN rail. The following charts display thermal deratings for this module at 24V and 30V. The shaded bands are temperature ranges that represent allowable combinations of inputs points for the indicated number of outputs points. All combinations of points are permissible at lower temperatures. The narrow white line within each range shows maximum temperature when the number of output points equals the number of input points on at the same time.



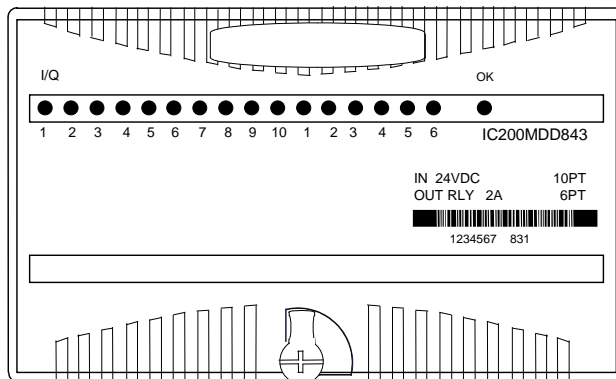
**IC200MDD842**  
**Mixed Module, Output 24 V DC Pos. Logic 0.5A Grouped w/ESCP 16 Points**  
**/ Input 24 V DC Pos/Neg Logic Grouped 16 Points**



**IC200MDD843**

**Mixed Module, 24 V DC Positive Logic Input Grouped 10 Points /  
Output Relay 2.0 A per Point Grouped 6 Points**

Discrete input/output module IC200MDD843 provides 10 discrete inputs and 6 relay outputs. The inputs form one group of 10 points. Inputs are positive logic or sourcing-type inputs; they receive current from input devices and return the current on the common. The relay outputs form one group of 6 points. The output group can drive a maximum of 8 A.



Power for module operation comes from the backplane. Loads must be powered by an external source.

Intelligent processing for the module is performed by the CPU or NIU. The module provides 10 bits of discrete input data and receives 6 bits of discrete output data.

### **LED Indicators**

Individual green LEDs indicate the on/off state of the output points and input points. The output LEDs are logic-driven and independent of the load conditions. The green OK LED is ON when backplane power is present to the module.

### **Configuration Parameters**

The module's basic input on/off response time is 0.5ms. For some applications, it may be preferable to add additional filtering to compensate for conditions such as noise spikes or switch bounce. Input filter times of 0ms, 1.0ms, or 7.0ms are selectable through software configuration, for total response times of 0.5ms, 1.5ms, and 7.5ms respectively. The default is 1.0ms filter time total (response time is 1.5ms).



**IC200MDD843**  
**Mixed Module, 24 V DC Positive Logic Input Grouped 10 Points /**  
**Output Relay 2.0 A per Point Grouped 6 Points**

**Module Specifications**

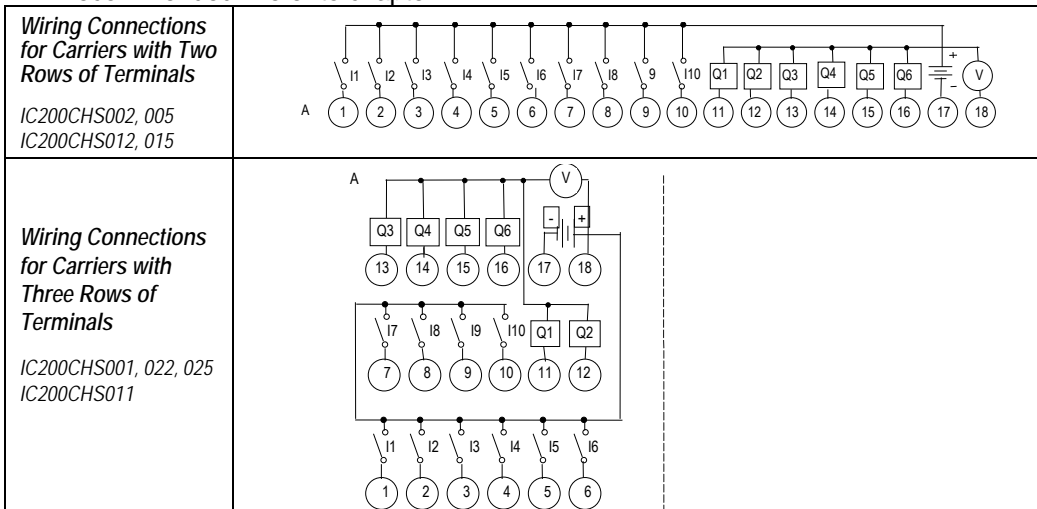
<b>Module Characteristics</b>									
Points	10 Positive DC Inputs, one group, 6 Form A Relay Outputs, one group								
Module ID	FFFF8035								
Isolation:	250 V AC continuous; 1500 V AC for 1 minute								
User input/output to logic (optical) and frame ground	250 V AC continuous; 1500 V AC for 1 minute								
Group to group	None								
Point to point	None								
LED indicators	One LED per point shows individual point on/off state OK LED indicates backplane power is present								
Backplane current consumption	5V output: 190mA maximum								
External power supply	0 to 125 V DC, 5/24/125 V DC nominal 0 to 265 V AC (47 to 63Hz), 120/240 V AC nominal								
Thermal derating	None								
Configuration parameters	Input response time								
<b>Compatibility</b>	<i>PME programming software</i>	<i>CPU 001</i>	<i>CPU 002</i>	<i>CPU 005</i>	<i>CPU E05</i>	<i>DBI 001</i>	<i>EBI 001</i>	<i>GBI 001</i>	<i>PBI 001</i>
<i>HW,FW vers. FW release</i>	All	AA 1.0	AA 1.5	AA 2.1	AA 2.1	AA 1.1	AA 1.0	AA 1.0	AA 1.0
<b>Input Characteristics</b>									
Input voltage	0 to +30 V DC, +24 V DC nominal								
On state voltage	+15.0 to +30.0 V DC								
Off state voltage	0 to +5.0 V DC								
On state current	2.0 to 5.5mA								
Off state current	0 to 0.5mA								
On, Off response time	0.5ms maximum								
Configurable filter time	0ms, 1.0ms (default), or 7.0ms								
Input impedance	10kΩ maximum								
<b>Output Characteristics</b>									
Output voltage	0 to 125 V DC, 5/24/125 V DC nominal 0 to 265 V AC (47 to 63Hz), 120/240 V AC nominal								
Output voltage drop	0.3V maximum								
Load current	10mA per point minimum, 8.0A maximum per module 2.0 Amps for 5 to 265 V AC maximum (resistive) 2.0 Amps for 5 to 30 V DC maximum (resistive) 0.2 Amp for 31 to 125 V DC maximum (resistive)								
Output leakage current	Not applicable (open contact)								
On, Off response time	10ms maximum								
Protection	No internal fuses or snubbers.								
Switching frequency	20 cycles per minute (inductive load)								
Relay type	Fixed coil, moving armature								
Contact type	Silver alloy								
Contact life	Refer to appendix B								

**IC200MDD843**  
**Mixed Module, 24 V DC Positive Logic Input Grouped 10 Points /**  
**Output Relay 2.0 A per Point Grouped 6 Points**

### Field Wiring

Terminal	Connection	Terminal	Connection
A1	Input 1	B1	No connection
A2	Input 2	B2	No connection
A3	Input 3	B3	No connection
A4	Input 4	B4	No connection
A5	Input 5	B5	No connection
A6	Input 6	B6	No connection
A7	Input 7	B7	No connection
A8	Input 8	B8	No connection
A9	Input 9	B9	No connection
A10	Input 10	B10	No connection
A11	Output 1	B11	No connection
A12	Output 2	B12	No connection
A13	Output 3	B13	No connection
A14	Output 4	B14	No connection
A15	Output 5	B15	No connection
A16	Output 6	B16	No connection
A17	Inputs 1-10 Common	B17	No connection
A18	Outputs 1-6 Common	B18	No connection

If additional bussed terminals are needed, the B terminals can be made available by using a shorting bar. The shorting bar has a maximum current-carrying capacity of 2 Amps per point. Refer to chapter 2 Installing Wiring for I/O Devices- Wiring to Inductive Loads for additional information about using the shorting bar. When wiring outputs to inductive loads, use of external suppression circuits is recommended. Refer to chapter 2.



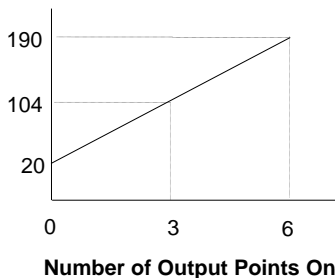
**IC200MDD843**  
**Mixed Module, 24 V DC Positive Logic Input Grouped 10 Points /**  
**Output Relay 2.0 A per Point Grouped 6 Points**

**Backplane Power Drain per Point**

The module's backplane 5 V power requirement increases as the number of points that are simultaneously on increases. The following chart displays the relationship between the number of points on and the maximum current required.

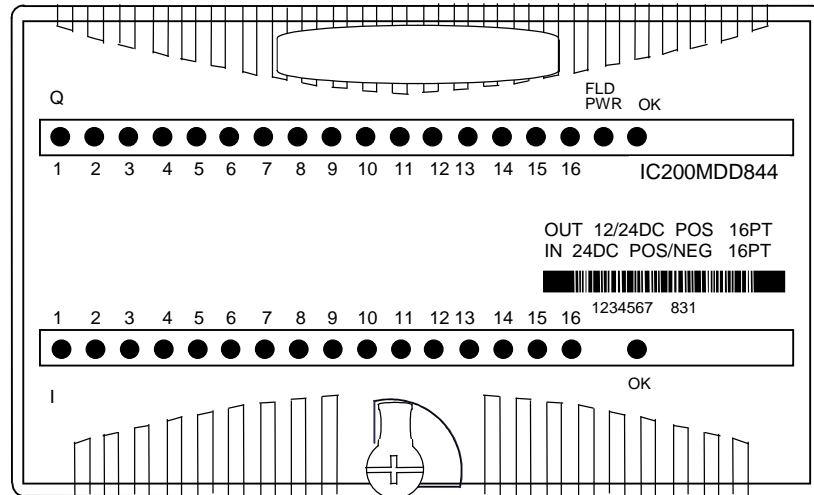
$$\text{mA} = 40 + (28 \times \text{number of output points on})$$

**Maximum Current Drawn from Backplane (mA)**



**IC200MDD844**  
**Mixed Module, Output 12/24 V DC Pos. Logic 0.5A 16 Points**  
**/ Input 24 V DC Pos/Neg Logic Grouped 16 Points**

Discrete input/output module IC200MDD844 provides one group of 16 discrete outputs and two groups of 8 discrete inputs. The outputs are positive or sourcing type outputs. They switch the loads to the positive side of the DC supply and thus supply current to the loads. Inputs are positive logic; they receive current from input devices and return the current on the common. Input devices are connected between the input terminals and common terminals.



**Note:** Negative logic input functionality and 12V output functionality require module version IC200MDD844C or higher. An external DC power supply must be provided to switch power to the loads. Intelligent processing for this module is performed by the CPU or NIU. The module provides 16 bits of discrete input data and receives 16 bits of discrete output data.

### LED Indicators

Individual green LEDs indicate the on/off state of the output points and input points. Operation of the output LEDs is dependent on field power, but independent of load conditions.

The green FLD PWR LED is ON when field power is applied to the module. The green OK LED is ON when backplane power is present to the module.

### *Configuration Parameters*

The module's basic input on/off response time is 0.5ms. For some applications, it may be preferable to add additional filtering to compensate for conditions such as noise spikes or switch bounce. Input filter times of 0ms, 1.0ms, or 7.0ms are selectable through software configuration, for total response times of 0.5ms, 1.5ms, and 7.5ms respectively. The default is 1.0ms filter time (total response time is 1.5ms).

**IC200MDD844**  
**Mixed Module, Output 12/24 V DC Pos. Logic 0.5A 16 Points**  
**/ Input 24 V DC Pos/Neg Logic Grouped 16 Points**

### Module Specifications

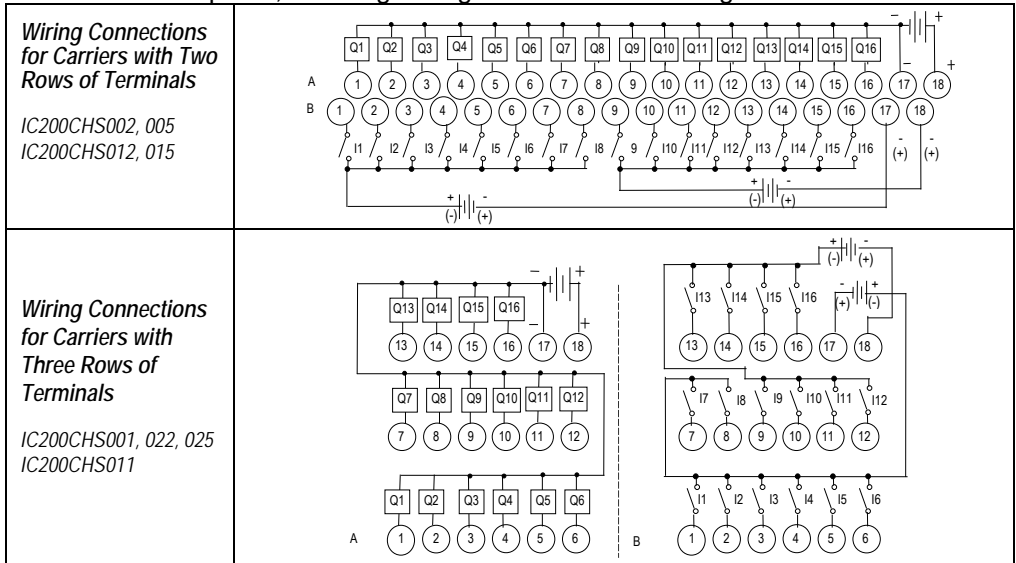
<i>Module Characteristics</i>									
Points	1 group of 16 outputs 2 groups of 8 inputs								
Module ID	80088080								
Isolation:	250 V AC continuous; 1500 V AC for 1 minute								
User input to logic (optical) and to frame ground	250 V AC continuous; 1500 V AC for 1 minute								
Group to group	None								
Point to point									
LED indicators	One LED per point shows individual point on/off state FLD PWR LED indicates field power is present OK LED indicates backplane power is present								
Backplane current consumption	5V output: 70mA maximum								
External power supply	+10.2 to +30 V DC, +12/24 V DC nominal								
Thermal derating	Refer to diagram								
Configuration parameters	Input response time								
<i>Compatibility</i>	<i>PME programming software</i>	<i>CPU 001</i>	<i>CPU 002</i>	<i>CPU 005</i>	<i>CPU E05</i>	<i>DBI 001</i>	<i>EBI 001</i>	<i>GBI 001</i>	<i>PBI 001</i>
<i>HW,FW vers. FW release</i>	All	AA 1.0	AA 1.5	AA 2.1	AA 2.1	AA 1.1	AA 1.0	AA 1.0	AA 1.0
<i>Input Characteristics</i>									
Input voltage	0 to +30 V DC, +24 V DC nominal								
On state voltage	+15 to +30 V DC								
Off state voltage	0 to +5 V DC								
On state current	2.0 to 5.5mA								
Off state current	0 to 0.5mA								
On response time	0.5ms maximum								
Off response time									
Configurable filter time	0 ms, 1.0ms (default), or 7.0ms								
Input impedance	10kΩ maximum								
<i>Output Characteristics</i>									
Output voltage	+10.2 to +30 V DC, +12/24 V DC nominal								
Output voltage drop	0.3V								
Load current	0.5 A at 30 V DC maximum (resistive) 2.0 A maximum for 100ms inrush								
Output leakage current	0.5mA at 30 V DC maximum								
On response time	0.2ms maximum								
Off response time	1.0ms maximum								
Protection	No internal fuses								

**IC200MDD844**  
**Mixed Module, Output 12/24 V DC Pos. Logic 0.5A 16 Points**  
**/ Input 24 V DC Pos/Neg Logic Grouped 16 Points**

**Field Wiring**

Terminal	Connection	Terminal	Connection
A1	Output 1	B1	Input 1
A2	Output 2	B2	Input 2
A3	Output 3	B3	Input 3
A4	Output 4	B4	Input 4
A5	Output 5	B5	Input 5
A6	Output 6	B6	Input 6
A7	Output 7	B7	Input 7
A8	Output 8	B8	Input 8
A9	Output 9	B9	Input 9
A10	Output 10	B10	Input 10
A11	Output 11	B11	Input 11
A12	Output 12	B12	Input 12
A13	Output 13	B13	Input 13
A14	Output 14	B14	Input 14
A15	Output 15	B15	Input 15
A16	Output 16	B16	Input 16
A17	DC -	B17	Inputs 1-8 Return
A18	DC +	B18	Inputs 9-16 Return

The 16 outputs form one group, each with a DC+ and a DC- terminal. The 16 inputs form two groups of 8. Each group has a common return. When wiring outputs to inductive loads, use of external suppression circuits is recommended. Refer to chapter 2, Installing Wiring for I/O Devices-Wiring to Inductive Loads.

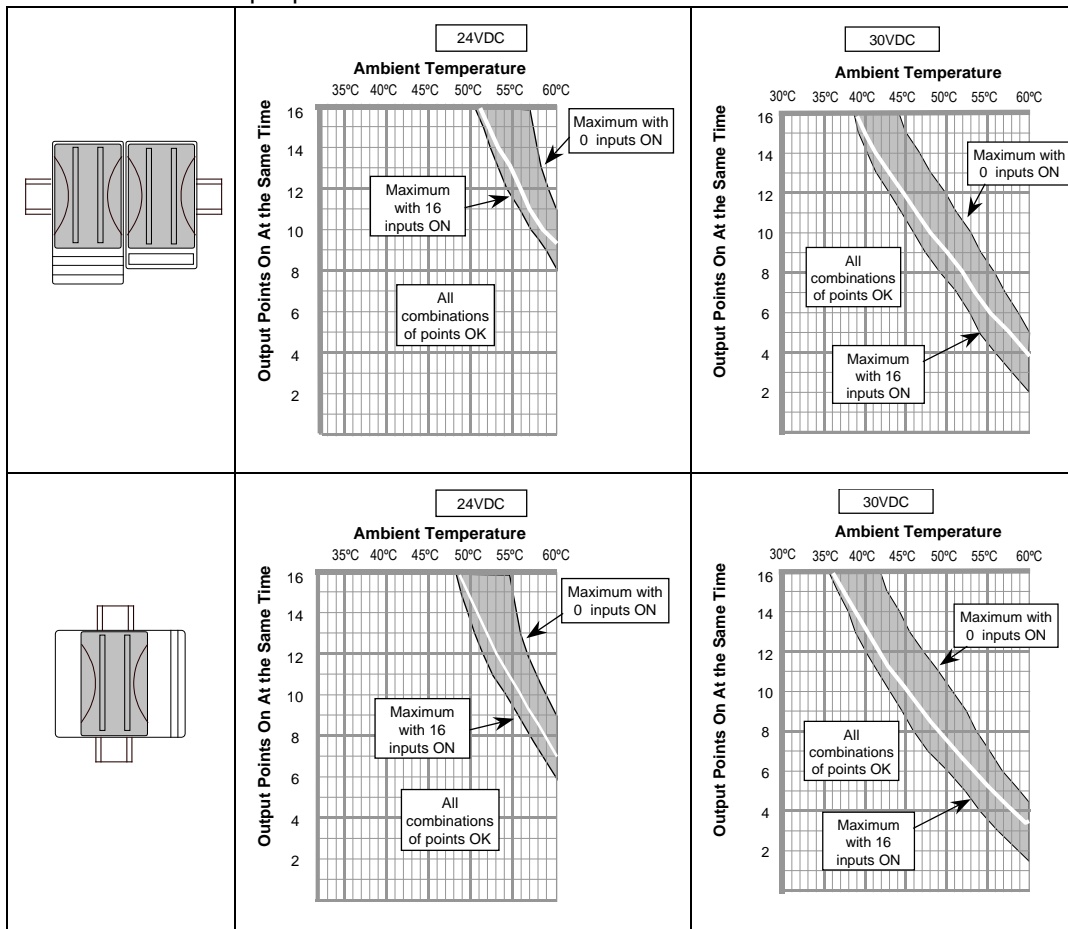


**IC200MDD844**

**Mixed Module, Output 12/24 V DC Pos. Logic 0.5A 16 Points  
/ Input 24 V DC Pos/Neg Logic Grouped 16 Points**

**Thermal Derating**

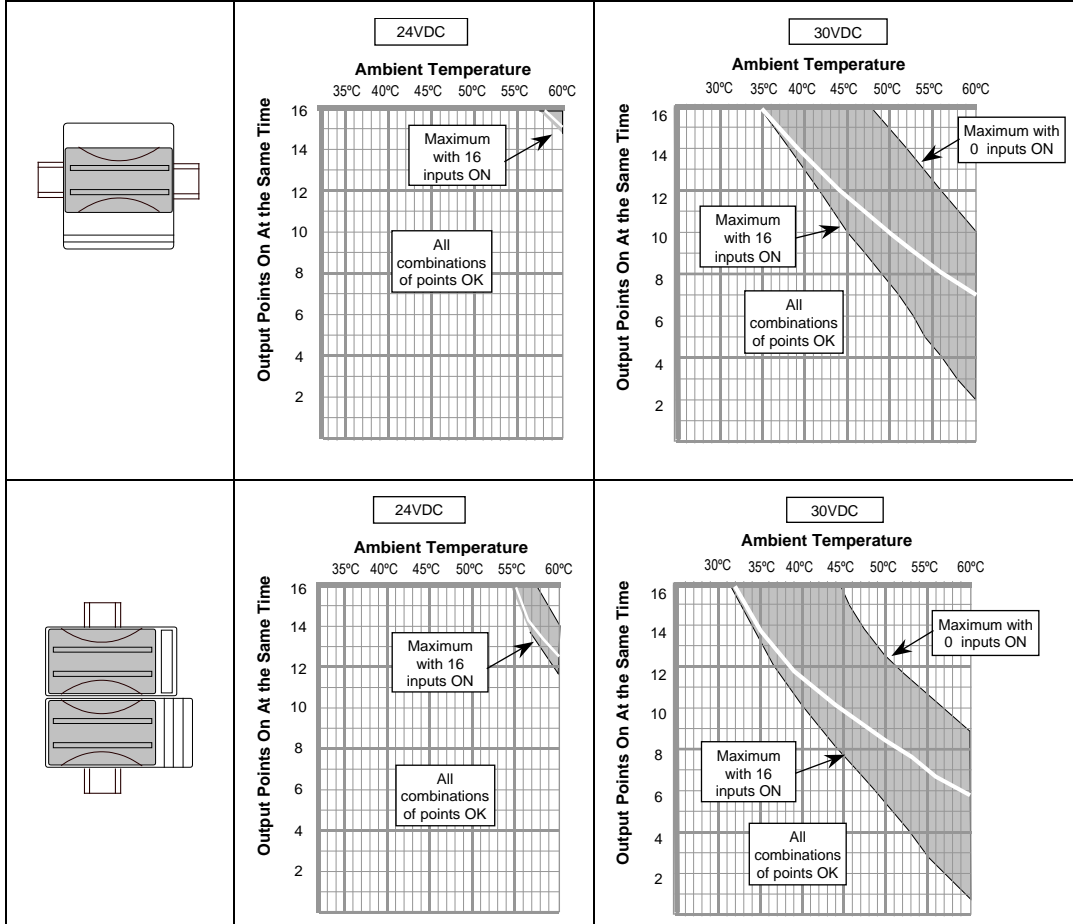
The number of points that can be on at the same time depends on the ambient temperature, the external voltage, and the orientation of the module and DIN rail. The following charts display thermal deratings for this module at 24 V and 30 V. The shaded bands are temperature ranges that represent allowable combinations of inputs points for the indicated number of outputs points. All combinations of points are permissible at lower temperatures. The narrow white line within each range shows maximum temperature when the number of output points equals the number of input points on at the same time.





**IC200MDD844**

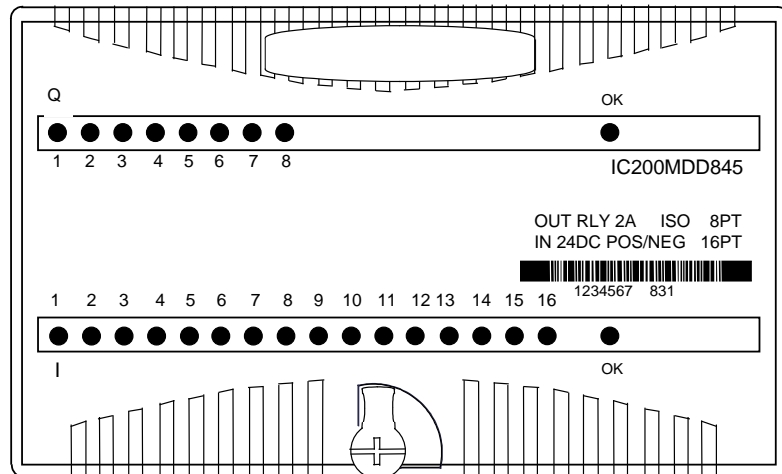
**Mixed Module, Output 12/24 V DC Pos. Logic 0.5A 16 Points  
/ Input 24 V DC Pos/Neg Logic Grouped 16 Points**



**IC200MDD845**

**Mixed Module, Output Relay 2.0 A Isolated 8 Points  
/ Input 24 V DC Pos/Neg Logic Grouped 16 Points**

Discrete input/output module IC200MDD845 provides 8 individually-isolated Form A relay outputs and two groups of 8 discrete inputs. An output contact is closed when the host CPU is active and the corresponding output logic bit is "1". Inputs in each group can be either positive logic inputs that receive current from input devices and return the current on the common, or negative-logic inputs that receive current from the common and return current to the input device. Input devices are connected between the input terminals and common terminals. Note: Negative-logic functionality requires module version IC200MDD845C or higher.



Power for module operation comes from the backplane. Loads must be powered by an external source.

Intelligent processing for this module is performed by the CPU or NIU. The module provides 16 bits of discrete input data and receives 8 bits of discrete output data.

**LED Indicators**

Individual green LEDs indicate the On/Off states of the output points and input points. Operation of the output LEDs is logic driven and independent of the load conditions.

The green OK LEDs are ON when backplane power is present to the module.

### *Configuration Parameters*

The module's basic input on/off response time is 0.5ms. For some applications, it may be preferable to add additional filtering to compensate for conditions such as noise spikes or switch bounce. Input filter times of 0ms, 1.0ms, or 7.0ms are selectable through software configuration, for total response times of 0.5ms, 1.5ms, and 7.5ms respectively.

**IC200MDD845**  
**Mixed Module, Output Relay 2.0 A Isolated 8 Points**  
**/ Input 24 V DC Pos/Neg Logic Grouped 16 Points**

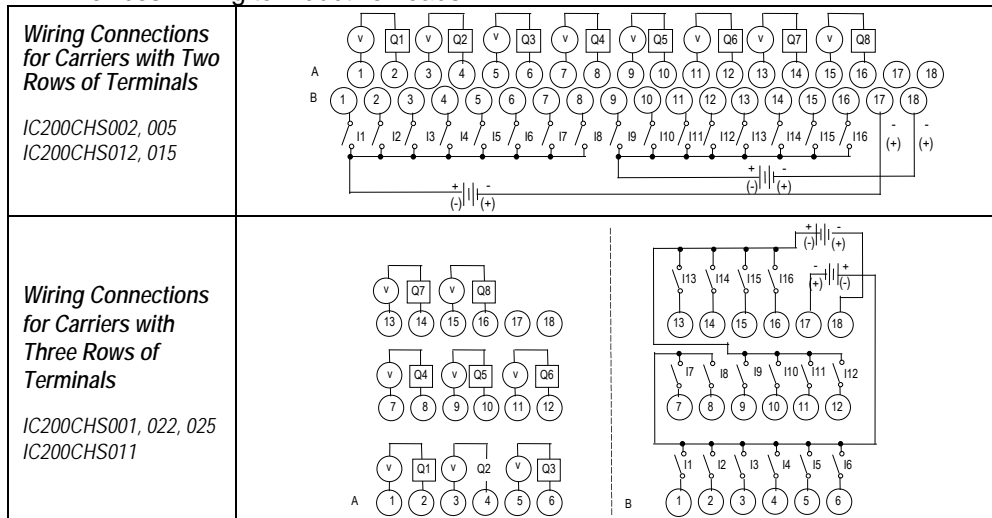
<b>Module Characteristics</b>										
Points	1 group of 8 outputs, 16 inputs (2 groups of 8)									
Module ID	80088040									
Isolation:	250 V AC continuous; 1500 V AC for 1 minute									
User input to logic (optical) and to frame ground	250 V AC continuous; 1500 V AC for 1 minute									
Group to group	Outputs: 250 V AC continuous; 1500 V AC for 1 minute,									
Point to point	Inputs: none									
LED indicators	One green LED per point shows individual point on/off state. OK LED indicates backplane power is present									
Backplane current consumption	5V output: 270mA maximum. Refer to graph									
External power supply	0 to 125 V DC, 5/24/125 V DC nominal 0 to 265 V AC (47 to 63Hz), 120/240 V AC nominal									
Thermal derating	Refer to diagram									
Configuration parameters	Input filter time									
<b>Compatibility</b>	<i>PME programming software</i>	<i>CPU 001</i>	<i>CPU 002</i>	<i>CPU 005</i>	<i>CPU E05</i>	<i>DBI 001</i>	<i>EBI 001</i>	<i>GBI 001</i>	<i>PBI 001</i>	
<i>HW,FW vers.</i> <i>FW release</i>	All	AA 1.0	AA 1.5	AA 2.1	AA 2.1	AA 1.1	AA 1.0	AA 1.0	AA 1.0	AA 1.0
<b>Input Characteristics</b>										
Input voltage	0 to +30 V DC, +24 V DC nominal									
On state voltage	+15 to +30 V DC									
Off state voltage	0 to +5 V DC									
On state current	2.0 to 5.5mA									
Off state current	0 to 0.5mA									
On, Off response time	0.5ms maximum									
Configurable filter time	0 ms, 1.0ms (default), or 7.0ms									
Input impedance	10kΩ maximum									
<b>Output Characteristics</b>										
Output voltage	0 to 125 V DC, 5/24/125 V DC nominal 0 to 265 V AC (47 to 63Hz), 120/240 V AC nominal									
Output voltage drop	0.3V maximum									
Load current	10mA per point minimum 2.0A for 5 to 265 V AC or 5 to 30 V DC maximum (resistive) 0.2A for 31 to 125 V DC maximum (resistive)									
Output leakage current	Not applicable (open contact)									
On, Off response time	10ms maximum									
Protection	No internal fuses or snubbers									
Relay type	Fixed coil, moving armature									
Contact type	Silver alloy									
Contact life	Refer to appendix B									

**IC200MDD845**  
**Mixed Module, Output Relay 2.0 A Isolated 8 Points**  
**/ Input 24 V DC Pos/Neg Logic Grouped 16 Points**

**Field Wiring**

Terminal	Connection	Terminal	Connection
A1	Output 1-1	B1	Input 1
A2	Output 1-2	B2	Input 2
A3	Output 2-1	B3	Input 3
A4	Output 2-2	B4	Input 4
A5	Output 3-1	B5	Input 5
A6	Output 3-2	B6	Input 6
A7	Output 4-1	B7	Input 7
A8	Output 4-2	B8	Input 8
A9	Output 5-1	B9	Input 9
A10	Output 5-2	B10	Input 10
A11	Output 6-1	B11	Input 11
A12	Output 6-2	B12	Input 12
A13	Output 7-1	B13	Input 13
A14	Output 7-2	B14	Input 14
A15	Output 8-1	B15	Input 15
A16	Output 8-2	B16	Input 16
A17	No Connection	B17	Inputs 1-8 Common
A18	No Connection	B18	Inputs 9-16 Common

The outputs are individually-isolated. The 16 inputs form two groups of 8. Each group has a common return. Each group may be wired for positive or negative logic inputs. **Note:** Negative-logic functionality requires module version IC200MDD845C or higher. When wiring outputs to inductive loads, use of external suppression circuits is recommended. Refer to chapter 2, Installing Wiring for I/O Devices-Wiring to Inductive Loads.



*IC200MDD845*

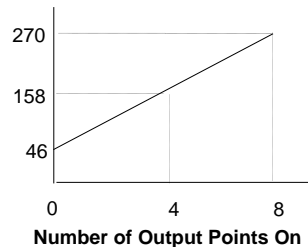
*Mixed Module, Output Relay 2.0 A Isolated 8 Points  
/ Input 24 V DC Pos/Neg Logic Grouped 16 Points*

### ***Backplane Power Drain per Point***

The module's backplane 5 V power requirement increases as the number of points that are simultaneously on increases. The following chart displays the relationship between the number of output points on and the maximum current required.

$$\text{mA} = 46 + (28 \times \text{number of output points on})$$

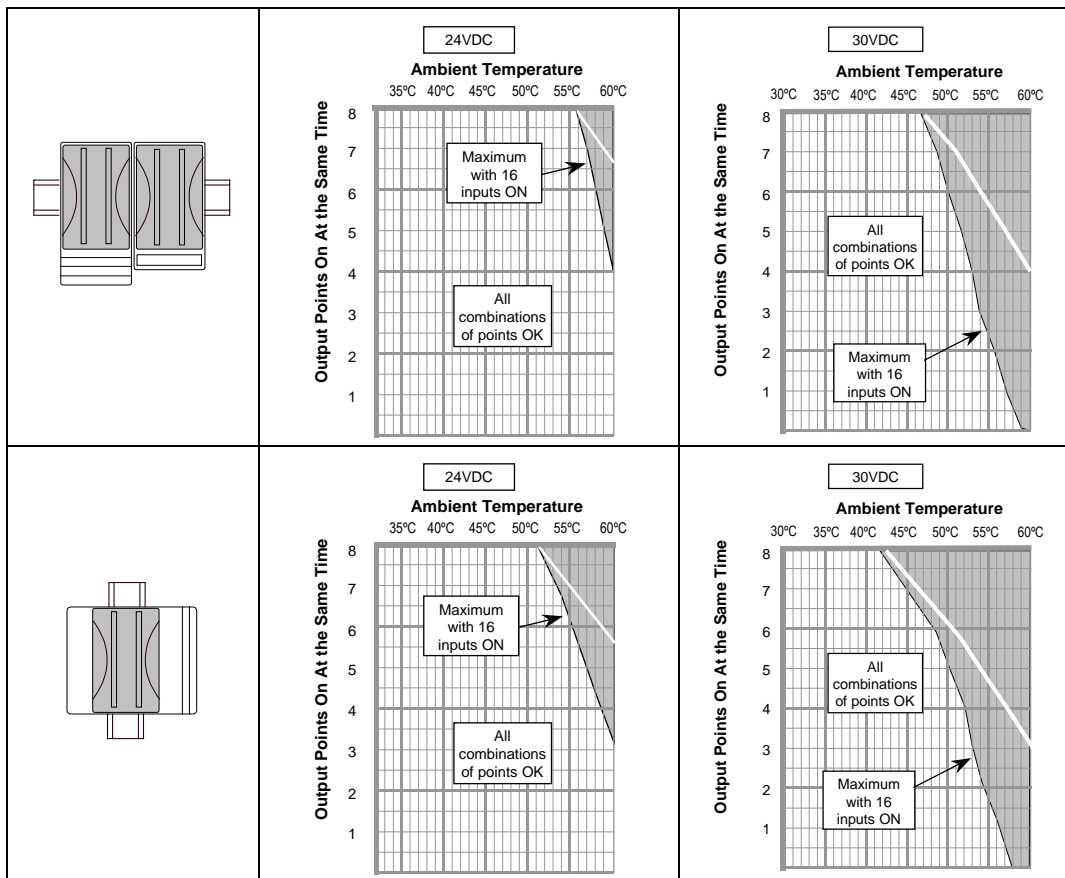
**Maximum Current Drawn from Backplane (mA)**



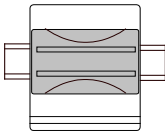
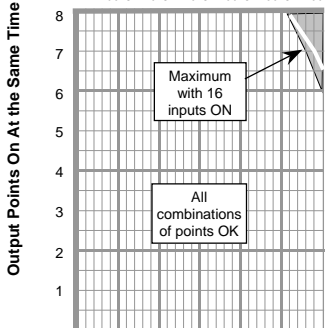
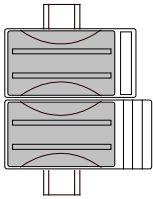
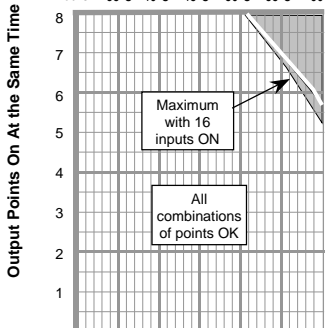
**IC200MDD845**  
**Mixed Module, Output Relay 2.0 A Isolated 8 Points**  
**/ Input 24 V DC Pos/Neg Logic Grouped 16 Points**

### Thermal Derating

The number of points that can be on at the same time depends on the ambient temperature, the external voltage, and the orientation of the module and DIN rail. The following charts display thermal deratings for this module at 24V and 30V. The shaded bands are temperature ranges that represent allowable combinations of inputs points for the indicated number of outputs points. All combinations of points are permissible at lower temperatures. The narrow white line within each range shows maximum temperature with two inputs on for each output (for example, 3 outputs and 6 inputs).



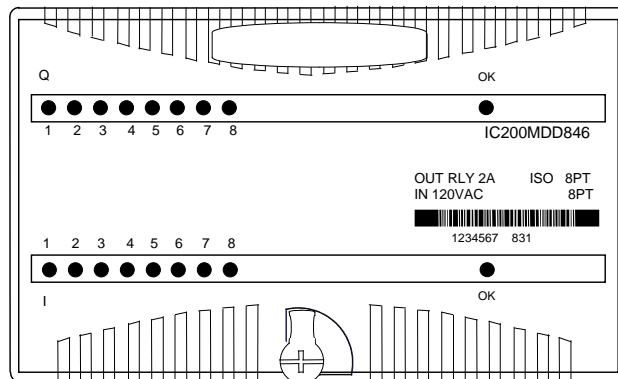
**IC200MDD845**  
**Mixed Module, Output Relay 2.0 A Isolated 8 Points**  
**/ Input 24 V DC Pos/Neg Logic Grouped 16 Points**

	<p>No derating at 24 V DC.</p>	<p style="text-align: center;">30VDC</p> <p style="text-align: center;"><b>Ambient Temperature</b></p> <p style="text-align: center;">30°C 35°C 40°C 45°C 50°C 55°C 60°C</p> <p style="text-align: center;">Output Points On At the Same Time</p> 
	<p>No derating at 24 V DC.</p>	<p style="text-align: center;">30VDC</p> <p style="text-align: center;"><b>Ambient Temperature</b></p> <p style="text-align: center;">30°C 35°C 40°C 45°C 50°C 55°C 60°C</p> <p style="text-align: center;">Output Points On At the Same Time</p> 



**IC200MDD846**  
**Mixed Module, Output Relay 2.0 A per Pt Isolated 8 Points /**  
**Input 120 V AC Grouped 8 Points**

Discrete input/output module IC200MDD846 provides 8 discrete inputs and 8 relay outputs. Inputs are positive logic or sourcing-type inputs; they receive current from devices and return the current on the common. Outputs are individually-isolated relays which can drive a maximum of 2 A per output. These are Form A relay outputs where the contact is closed when the host CPU is active and the corresponding output logic bit is "1".



Power for module operation comes from the backplane. Output loads must be powered by an external source.

Intelligent processing for the module is performed by the CPU or NIU. The module provides 8 bits of discrete input data and receives 8 bits of discrete output data.

### **LED Indicators**

Individual green LEDs indicate the On/Off states of the output points and input points. Operation of the output LEDs is logic driven and independent of the load conditions.

The green OK LEDs are ON when backplane power is present to the module.

**IC200MDD846**

**Mixed Module, Output Relay 2.0 A per Pt Isolated 8 Points /  
Input 120 V AC Grouped 8 Points**

### Module Specifications

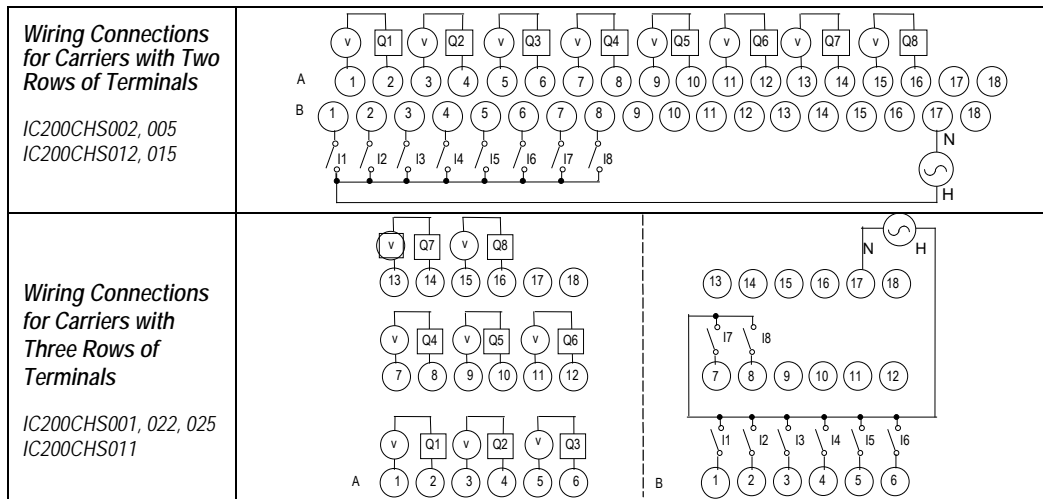
<b>Module Characteristics</b>										
Points	8 Positive AC Inputs, one group. 8 Individually-isolated Form A Relay Outputs.									
Module ID	88048040									
Isolation: User input/output to logic (optical) and frame ground Group to group Point to point	250 V AC continuous; 1500 V AC for 1 minute  250 V AC continuous; 1500 V AC for 1 minute Outputs: 250 V AC continuous; 1500 V AC for 1 minute Inputs: none									
LED indicators	One LED per point shows individual point on/off state OK LED indicates backplane power is present									
Backplane current consumption	5V output: 300mA maximum Refer to graph									
Thermal derating	None									
<b>Compatibility</b>	<i>PME programming software</i>	<i>CPU 001</i>	<i>CPU 002</i>	<i>CPU 005</i>	<i>CPU E05</i>	<i>DBI 001</i>	<i>EBI 001</i>	<i>GBI 001</i>	<i>PBI 001</i>	
<i>HW,FW vers. FW release</i>	All	AA 1.0	AA 1.5	AA 2.1	AA 2.1	AA 1.1	AA 1.0	AA 1.0	AA 1.0	AA 1.0
<b>Input Characteristics</b>										
Input voltage	0 to 132 V AC (47 to 63Hz), 120 V AC nominal									
On state voltage	70 to 132 V AC									
Off state voltage	0 to 20 V AC									
On state current	5mA minimum									
Off state current	2.5mA maximum									
On response time	1 cycle maximum									
Off response time	2 cycles maximum									
Input impedance	8.6k $\Omega$ (reactive) at 60Hz, typical 10.32k $\Omega$ (reactive) at 50Hz, typical									
<b>Output Characteristics</b>										
Output voltage	0 to 125 V DC, 5/24/125 V DC nominal 0 to 265 V AC (47 to 63Hz), 120/240 V AC nominal									
Output voltage drop	0.3V maximum									
Load current	10mA per point minimum 2.0 Amps for 5 to 265 V AC maximum (resistive) 2.0 Amps for 5 to 30 V DC maximum (resistive) 0.2 Amp for 31 to 125 V DC maximum (resistive)									
Output leakage current	Not applicable (open contact)									
On response time	10ms maximum									
Off response time	10ms maximum									
Protection	No internal fuses or snubbers.									
Switching frequency	20 cycles per minute (inductive load)									
Relay type	Fixed coil, moving armature									
Contact type	Silver alloy									
Contact life	Refer to appendix B									

**IC200MDD846**  
**Mixed Module, Output Relay 2.0 A per Pt Isolated 8 Points /**  
**Input 120 V AC Grouped 8 Points**

**Field Wiring**

Terminal	Connection	Terminal	Connection
A1	Output 1-1	B1	Input 1
A2	Output 1-2	B2	Input 2
A3	Output 2-1	B3	Input 3
A4	Output 2-2	B4	Input 4
A5	Output 3-1	B5	Input 5
A6	Output 3-2	B6	Input 6
A7	Output 4-1	B7	Input 7
A8	Output 4-2	B8	Input 8
A9	Output 5-1	B9	No connection
A10	Output 5-2	B10	No connection
A11	Output 6-1	B11	No connection
A12	Output 6-2	B12	No connection
A13	Output 7-1	B13	No connection
A14	Output 7-2	B14	No connection
A15	Output 8-1	B15	No connection
A16	Output 8-2	B16	No connection
A17	No connection	B17	Inputs 1-8 Common (Return)
A18	No connection	B18	No connection

When wiring outputs to inductive loads, use of external suppression circuits is recommended. Refer to chapter 2, Installing Wiring for I/O Devices-Wiring to Inductive Loads.



*IC200MDD846*

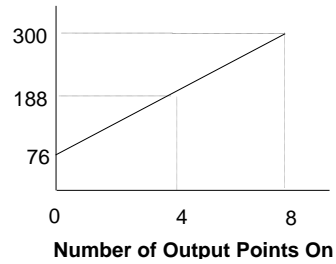
*Mixed Module, Output Relay 2.0 A per Pt Isolated 8 Points /  
Input 120 V AC Grouped 8 Points*

### *Backplane Power Drain per Point*

The module's backplane 5 V power requirement increases as the number of output points that are simultaneously on increases. The following chart displays the relationship between the number of points on and the maximum current required.

$$\text{mA} = 76 + (28 \times \text{number of output points on})$$

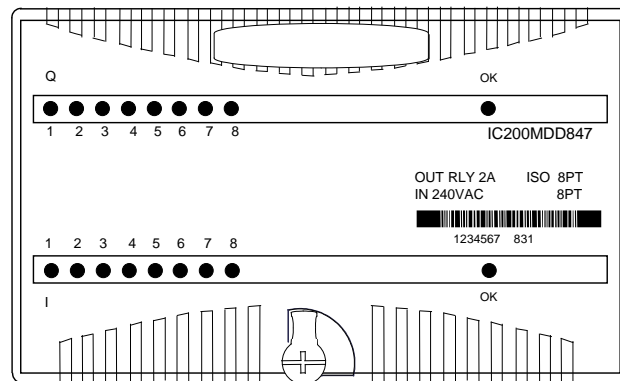
**Maximum Current Drawn from Backplane (mA)**



**IC200MDD847**

**Mixed Module, Output Relay 2.0 A per Pt Isolated 8 Points /  
Input 240 V AC Grouped 8 Points**

Discrete input/output module IC200MDD847 provides 8 discrete inputs and 8 relay outputs. Inputs are positive logic or sourcing-type inputs; they receive current from devices and return the current on the common. Outputs are individually-isolated relays which can drive a maximum of 2 A per output. These are Form A relay outputs where the contact is closed when the host CPU is active and the corresponding output logic bit is "1".



Power for module operation comes from the backplane. Output loads must be powered by an external source.

Intelligent processing for the module is performed by the CPU or NIU. The module provides 8 bits of discrete input data and receives 8 bits of discrete output data.

**LED Indicators**

Individual green LEDs indicate the On/Off states of the output points and input points. Operation of the output LEDs is logic driven and independent of the load conditions.

The green OK LEDs are ON when backplane power is present to the module.

**IC200MDD847**

**Mixed Module, Output Relay 2.0 A per Pt Isolated 8 Points /  
Input 240 V AC Grouped 8 Points**

### Module Specifications

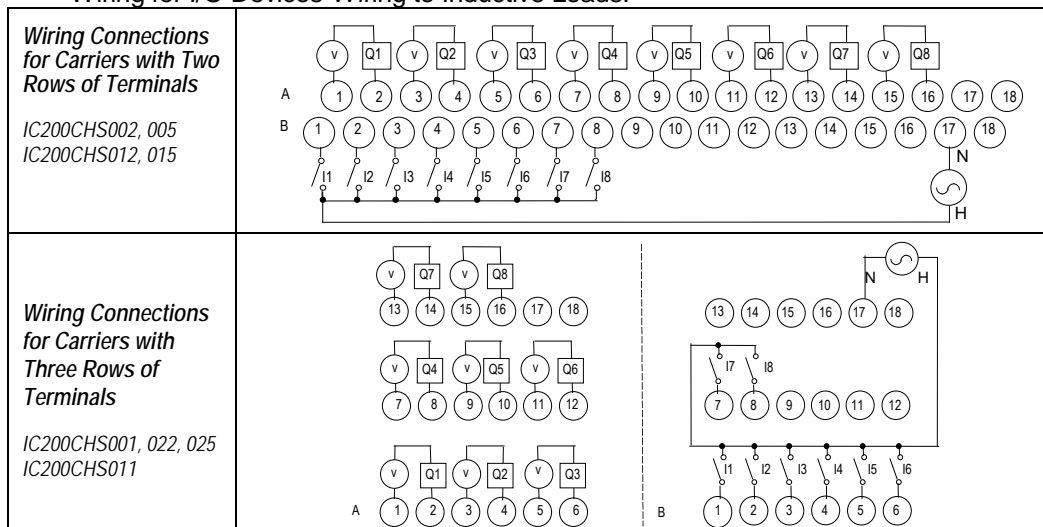
<b>Module Characteristics</b>									
Points	8 Positive AC Inputs, one group. 8 Individually-isolated Form A Relay Outputs.								
Module ID	88048040								
Isolation: User input/output to logic (optical) and frame ground Group to group Point to point	250 V AC continuous; 1500 V AC for 1 minute  250 V AC continuous; 1500 V AC for 1 minute Outputs: 250 V AC continuous; 1500 V AC for 1 minute Inputs: none								
LED indicators	One LED per point shows individual point on/off state OK LED indicates backplane power is present								
Backplane current consumption	5V output: 300mA maximum Refer to graph								
Thermal derating	None								
<i>Compatibility</i>	<i>PME programming software</i>	<i>CPU 001</i>	<i>CPU 002</i>	<i>CPU 005</i>	<i>CPU E05</i>	<i>DBI 001</i>	<i>EBI 001</i>	<i>GBI 001</i>	<i>PBI 001</i>
<i>HW,FW vers. FW release</i>	All	AA 1.0	AA 1.5	AA 2.1	AA 2.1	AA 1.1	AA 1.0	AA 1.0	AA 1.0
<b>Input Characteristics</b>									
Input voltage	0 to 264 V AC (47 to 63Hz), 240 V AC nominal								
On state voltage	155 to 264 V AC								
Off state voltage	0 to 40 V AC								
On state current	4mA minimum								
Off state current	1.5mA maximum								
On response time	1 cycle maximum								
Off response time	2 cycles maximum								
Input impedance	38.5kΩ (reactive) at 60Hz, typical 46.3kΩ (reactive) at 50Hz, typical								
<b>Output Characteristics</b>									
Output voltage	0 to 125 V DC, 5/24/125 V DC nominal 0 to 265 V AC (47 to 63Hz), 120/240 V AC nominal								
Output voltage drop	0.3V maximum								
Load current	10mA per point minimum 2.0 Amps for 5 to 265 V AC maximum (resistive) 2.0 Amps for 5 to 30 V DC maximum (resistive) 0.2 Amp for 31 to 125 V DC maximum (resistive)								
Output leakage current	Not applicable (open contact)								
On response time	10ms maximum								
Off response time	10ms maximum								
Protection	No internal fuses or snubbers.								
Switching frequency	20 cycles per minute (inductive load)								
Relay type	Fixed coil, moving armature								
Contact type	Silver alloy								
Contact life	Refer to appendix B								

**IC200MDD847**  
**Mixed Module, Output Relay 2.0 A per Pt Isolated 8 Points /**  
**Input 240 V AC Grouped 8 Points**

**Field Wiring**

Terminal	Connection	Terminal	Connection
A1	Output 1-1	B1	Input 1
A2	Output 1-2	B2	Input 2
A3	Output 2-1	B3	Input 3
A4	Output 2-2	B4	Input 4
A5	Output 3-1	B5	Input 5
A6	Output 3-2	B6	Input 6
A7	Output 4-1	B7	Input 7
A8	Output 4-2	B8	Input 8
A9	Output 5-1	B9	No connection
A10	Output 5-2	B10	No connection
A11	Output 6-1	B11	No connection
A12	Output 6-2	B12	No connection
A13	Output 7-1	B13	No connection
A14	Output 7-2	B14	No connection
A15	Output 8-1	B15	No connection
A16	Output 8-2	B16	No connection
A17	No connection	B17	Inputs 1-8 Common (Return)
A18	No connection	B18	No connection

Outputs are individually isolated. When wiring outputs to inductive loads, use of external suppression circuits is recommended. Refer to chapter 2, Installing Wiring for I/O Devices-Wiring to Inductive Loads.



*IC200MDD847*

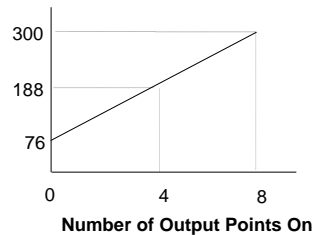
*Mixed Module, Output Relay 2.0 A per Pt Isolated 8 Points /  
Input 240 V AC Grouped 8 Points*

### *Backplane Power Drain per Point*

The module's backplane 5 V power requirement increases as the number of output points that are simultaneously on increases. The following chart displays the relationship between the number of points on and the maximum current required.

$$\text{mA} = 76 + (28 \times \text{number of output points on})$$

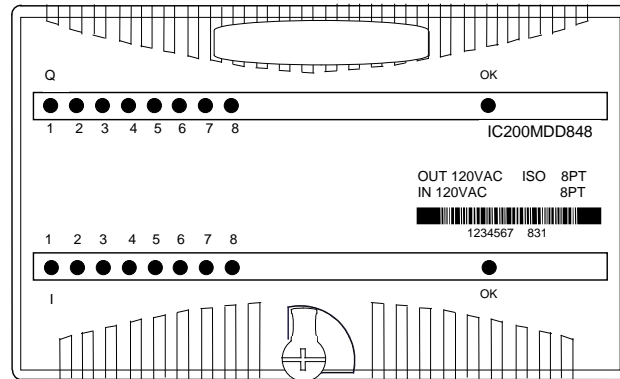
**Maximum Current Drawn from Backplane (mA)**





**IC200MDD848**  
**Mixed Module, Output 120 V AC 0.5 A per Pt Isolated 8 Points /**  
**Input 120 V AC Grouped 8 Points**

Discrete input/output module IC200MDD848 provides 8 discrete inputs and 8 discrete outputs. Inputs are positive logic or sourcing-type inputs; they receive current from devices and return the current on the common. Outputs are individually-isolated.



Power for module operation comes from the backplane. An external 120 V AC power supply must be provided for the switches that power the loads.

Intelligent processing for the module is performed by the CPU or NIU. The module provides 8 bits of discrete input data and receives 8 bits of discrete output data.

### **LED Indicators**

Individual green logic-side LEDs indicate the On/Off status of each input/output point. Operation of the Output LEDs are logic-driven and independent of the load conditions.

The green OK LED is ON when backplane power is present to the module.

**IC200MDD848**

**Mixed Module, Output 120 V AC 0.5A per Pt Isolated 8 Points /  
Input 120 V AC Grouped 8 Points**

### Module Specifications

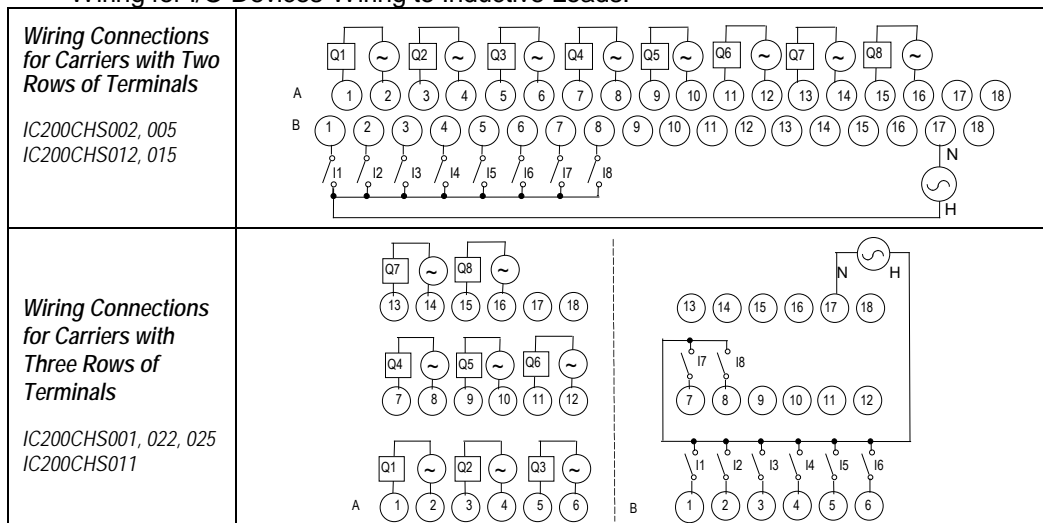
<b>Module Characteristics</b>									
Points	8 Positive AC Inputs, one group. 8 Individually-isolated Outputs.								
Module ID	88048840								
Isolation: User input/output to logic (optical) and frame ground Group to group Point to point	250 V AC continuous; 1500 V AC for 1 minute  250 V AC continuous; 1500 V AC for 1 minute Outputs: 250 V AC continuous; 1500 V AC for 1 minute Inputs: none								
LED indicators	One LED per point shows individual point on/off state OK LED indicates backplane power is present								
Backplane current consumption	5V output: 125mA maximum								
Thermal derating	Refer to diagram								
<b>Compatibility</b>	<i>PME programming software</i>	<i>CPU 001</i>	<i>CPU 002</i>	<i>CPU 005</i>	<i>CPU E05</i>	<i>DBI 001</i>	<i>EBI 001</i>	<i>GBI 001</i>	<i>PBI 001</i>
<i>HW,FW vers. FW release</i>	All	AA 1.0	AA 1.5	AA 2.1	AA 2.1	AA 1.1	AA 1.0	AA 1.0	AA 1.0
<b>Input Characteristics</b>									
Input voltage	0 to 132 V AC (47 to 63Hz), 120 V AC nominal								
On state voltage	70 to 132 V AC								
Off state voltage	0 to 20 V AC								
On state current	5mA minimum								
Off state current	2.5mA maximum								
On response time	1 cycle maximum								
Off response time	2 cycles maximum								
Input impedance	8.6k $\Omega$ (reactive) at 60Hz, typical 10.32k $\Omega$ (reactive) at 50Hz, typical								
<b>Output Characteristics</b>									
Output voltage	85 to 132 V AC (47 to 63Hz), 120 V AC nominal								
Output voltage drop	2.0V maximum								
Load current	10mA minimum per point 0.5A maximum per point 5.0A for one cycle (20ms) maximum inrush								
Output leakage current	Less than 2mA at 132 V AC								
On response time	Less than 1/2 cycle, maximum								
Off response time	Less than 1/2 cycle, maximum								
Protection	Snubber and MOVs (each output)								
Diagnostics	None								

**IC200MDD848**  
**Mixed Module, Output 120 V AC 0.5A per Pt Isolated 8 Points /**  
**Input 120 V AC Grouped 8 Points**

**Field Wiring**

Terminal	Connection	Terminal	Connection
A1	Output 1-1	B1	Input 1
A2	Output 1-2	B2	Input 2
A3	Output 2-1	B3	Input 3
A4	Output 2-2	B4	Input 4
A5	Output 3-1	B5	Input 5
A6	Output 3-2	B6	Input 6
A7	Output 4-1	B7	Input 7
A8	Output 4-2	B8	Input 8
A9	Output 5-1	B9	No connection
A10	Output 5-2	B10	No connection
A11	Output 6-1	B11	No connection
A12	Output 6-2	B12	No connection
A13	Output 7-1	B13	No connection
A14	Output 7-2	B14	No connection
A15	Output 8-1	B15	No connection
A16	Output 8-2	B16	No connection
A17	No connection	B17	Inputs 1-8 Common (Return)
A18	No connection	B18	No connection

Outputs are individually isolated. When wiring outputs to inductive loads, use of external suppression circuits is recommended. Refer to chapter 2, Installing Wiring for I/O Devices-Wiring to Inductive Loads.

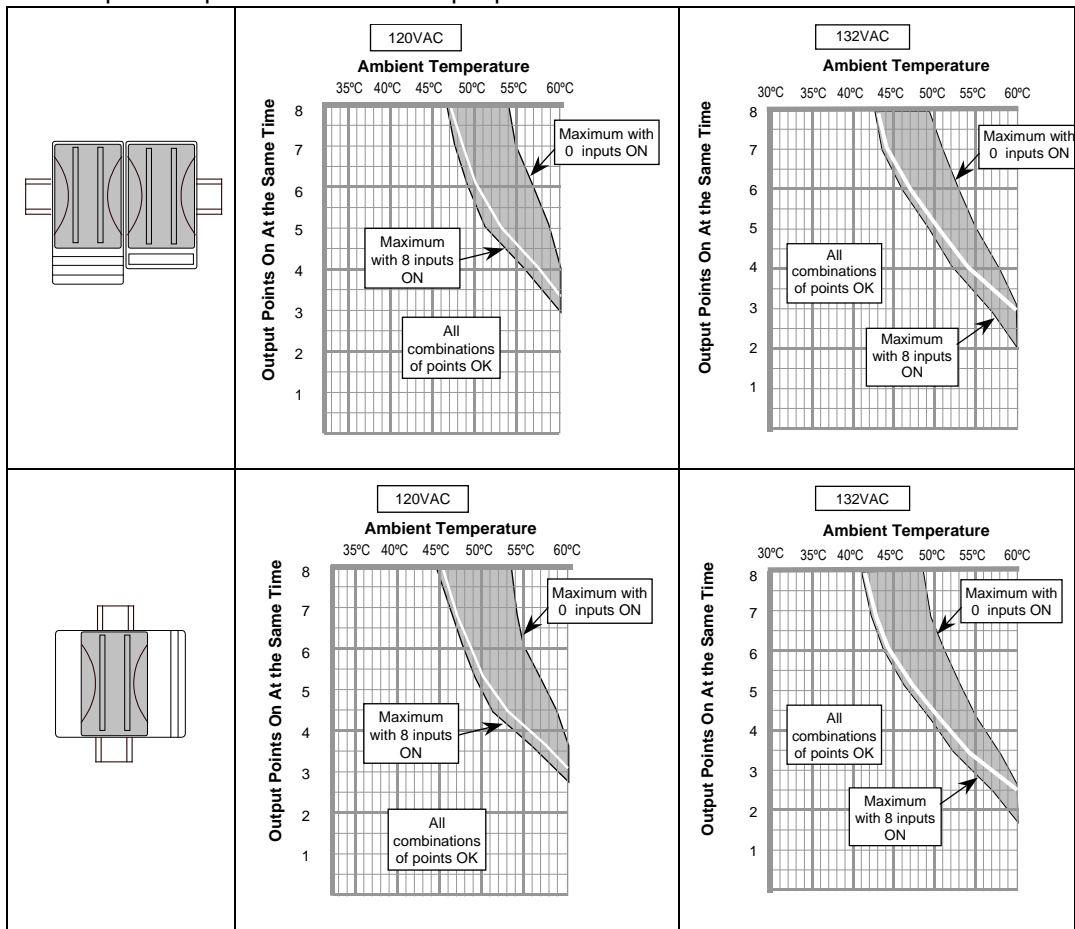


**IC200MDD848**

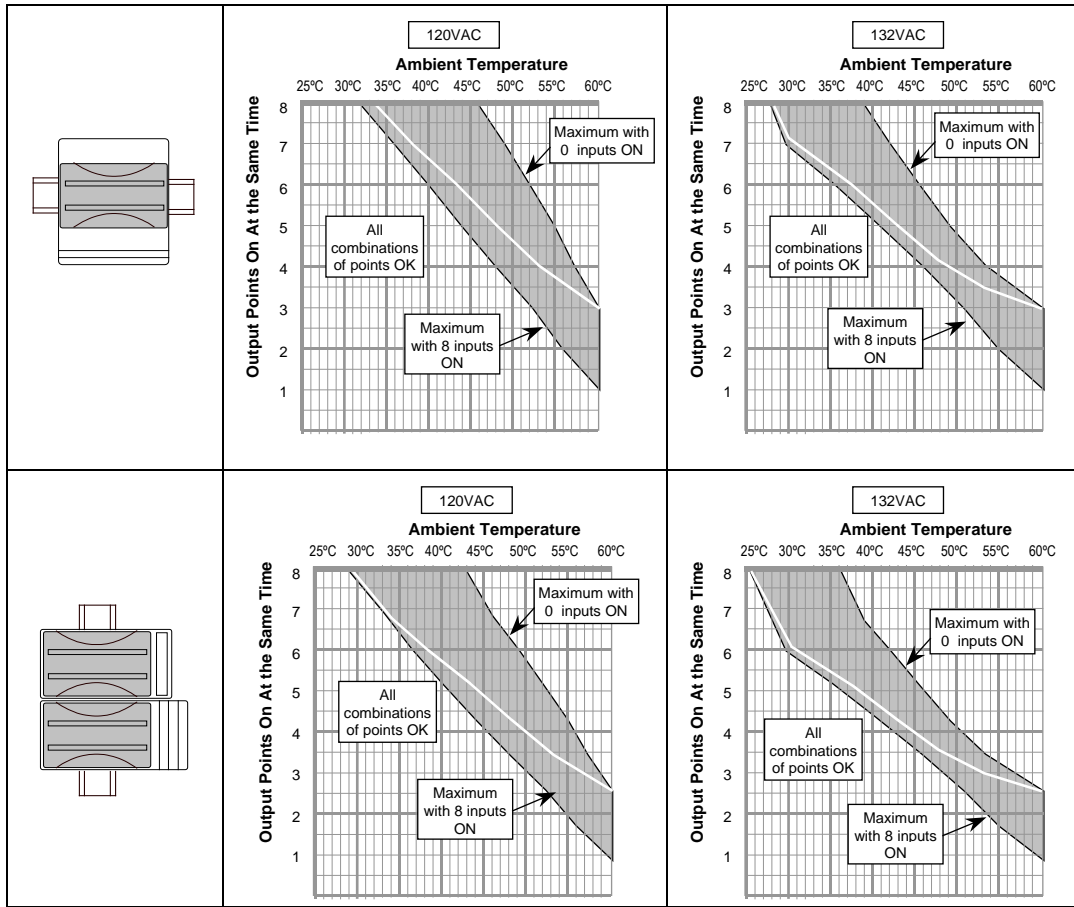
**Mixed Module, Output 120 V AC 0.5A per Pt Isolated 8 Points /  
Input 120 V AC Grouped 8 Points**

**Thermal Derating**

The number of points that can be on at the same time depends on the ambient temperature, the external voltage, and the orientation of the module and DIN rail. The following charts display thermal deratings for this module at 120 V AC and 132 V AC. The shaded bands are temperature ranges that represent allowable combinations of inputs points for the indicated number of outputs points. All combinations of points are permissible at lower temperatures. The narrow white line within each range shows maximum temperature when the number of output points equals the number of input points that are on at the same time.

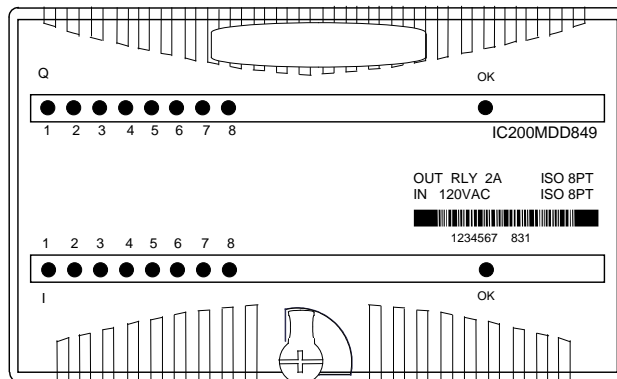


**IC200MDD848**  
**Mixed Module, Output 120 V AC 0.5A per Pt Isolated 8 Points /**  
**Input 120 V AC Grouped 8 Points**



**IC200MDD849**  
**Mixed Module Output Relay 2.0 A per Pt Isolated 8 Points /**  
**Input 120 V AC Isolated 8 Points**

Discrete input/output module IC200MDD849 provides 8 isolated discrete inputs and 8 relay outputs. Inputs are positive logic or sourcing-type inputs; they receive current from AC input devices and return the current on the common. Each input has its own return. Outputs are individually-isolated relays which can drive a maximum of 2 A per output. These are Form A relay outputs where the contact is closed when the host CPU is active and the corresponding output logic bit is "1".



Power for module operation comes from the backplane. Output loads must be powered by an external source.

Intelligent processing for the module is performed by the CPU or NIU. The module provides 8 bits of discrete input data and receives 8 bits of discrete output data.

### **LED Indicators**

Individual green LEDs indicate the On/Off states of the output points and input points. Operation of the output LEDs is logic driven and independent of the load conditions.

The green OK LEDs are ON when backplane power is present to the module.

**IC200MDD849**  
**Mixed Module Output Relay 2.0 A per Pt Isolated 8 Points /**  
**Input 120 V AC Isolated 8 Points**

**Module Specifications**

<b>Module Characteristics</b>										
Points	8 Individually-isolated Form A Relay Outputs 8 Isolated AC Inputs									
Module ID	88048040									
Isolation: User input/output to logic (optical) and frame ground Group to group Point to point	250 V AC continuous; 1500 V AC for 1 minute  250 V AC continuous; 1500 V AC for 1 minute Outputs: 250 V AC continuous; 1500 V AC for 1 minute Inputs: 250 V AC continuous; 1500 V AC for 1 minute									
LED indicators	One LED per point shows individual point on/off state OK LED indicates backplane power is present									
Backplane current consumption	5V output: 295mA maximum Refer to graph									
Thermal derating	None									
<b>Compatibility</b>	<b>PME programming software</b>	<b>CPU 001</b>	<b>CPU 002</b>	<b>CPU 005</b>	<b>CPU E05</b>	<b>DBI 001</b>	<b>EBI 001</b>	<b>GBI 001</b>	<b>PBI 001</b>	
<i>HW,FW vers. FW release</i>	All	AA 1.0	AA 1.5	AA 2.1	AA 2.1	AA 1.1	AA 1.0	AA 1.0	AA 1.0	
<b>Input Characteristics</b>										
Input voltage	0 to 132 V AC (47 to 63Hz), 120 V AC nominal									
On state voltage	70 to 132 V AC									
Off state voltage	0 to 20 V AC									
On state current	5mA minimum									
Off state current	2.5mA maximum									
On response time	1 cycle maximum									
Off response time	2 cycles maximum									
Input impedance	8.6k $\Omega$ (reactive) at 60Hz, typical 10.32k $\Omega$ (reactive) at 50Hz, typical									
<b>Output Characteristics</b>										
Output voltage	0 to 125 V DC, 5/24/125 V DC nominal 0 to 265 V AC (47 to 63Hz), 120/240 V AC nominal									
Output voltage drop	0.3V maximum									
Load current	10mA per point minimum 2.0 A for 5 to 265 V AC maximum (resistive) 2.0 A for 5 to 30 V DC maximum (resistive) 0.2 A for 31 to 125 V DC maximum (resistive)									
Output leakage current	Not applicable (open contact)									
On response time	10ms maximum									
Off response time	10ms maximum									
Protection	No internal fuses or snubbers.									
Switching frequency	20 cycles per minute (inductive load)									
Relay type	Fixed coil, moving armature									
Contact type	Silver alloy									
Contact life	Refer to appendix B									

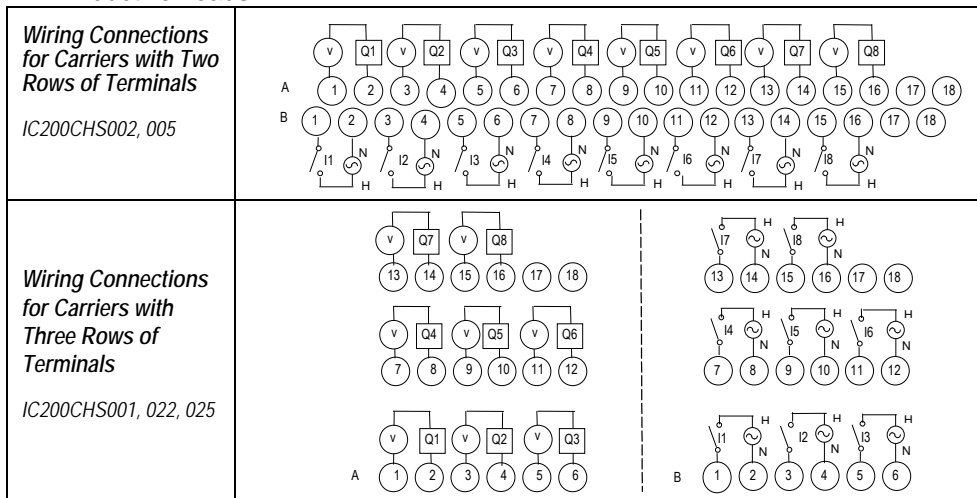
*IC200MDD849*

*Mixed Module Output Relay 2.0 A per Pt Isolated 8 Points /  
Input 120 V AC Isolated 8 Points*

**Field Wiring**

Terminal	Connection	Terminal	Connection
A1	Output 1-1	B1	Input 1
A2	Output 1-2	B2	Input 1 Return
A3	Output 2-1	B3	Input 2
A4	Output 2-2	B4	Input 2 Return
A5	Output 3-1	B5	Input 3
A6	Output 3-2	B6	Input 3 Return
A7	Output 4-1	B7	Input 4
A8	Output 4-2	B8	Input 4 Return
A9	Output 5-1	B9	Input 5
A10	Output 5-2	B10	Input 5 Return
A11	Output 6-1	B11	Input 6
A12	Output 6-2	B12	Input 6 Return
A13	Output 7-1	B13	Input 7
A14	Output 7-2	B14	Input 7 Return
A15	Output 8-1	B15	Input 8
A16	Output 8-2	B16	Input 8 Return
A17	No connection	B17	No connection
A18	No connection	B18	No connection

Outputs are individually isolated. This module should be used with a compact terminal-style carrier (IC200CHS022 or 025) or with a terminal-style carrier. When wiring outputs to inductive loads, use of external suppression circuits is recommended. Refer to chapter 2, Installing Wiring for I/O Devices-Wiring to Inductive Loads.





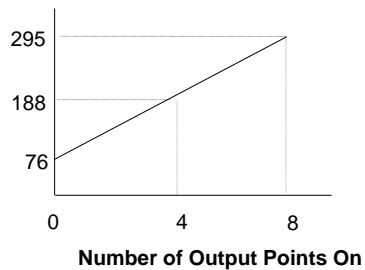
**IC200MDD849**  
**Mixed Module Output Relay 2.0 A per Pt Isolated 8 Points /**  
**Input 120 V AC Isolated 8 Points**

***Backplane Power Drain per Point***

The module's backplane 5 V power requirement increases as the number of output points that are simultaneously on increases. The following chart displays the relationship between the number of points on and the maximum current required.

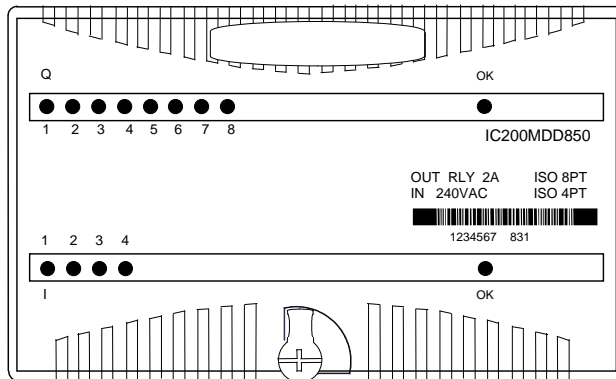
$$\text{mA} = 76 + (28 \times \text{number of output points on})$$

**Maximum Current Drawn from Backplane (mA)**



**IC200MDD850**  
**Mixed Module, Output Relay 2.0 A per Pt Isolated 8 Points /**  
**Input 240 V AC Isolated 4 Points**

Discrete input/output module IC200MDD850 provides 4 isolated discrete inputs and 8 relay outputs. Inputs are positive logic or sourcing-type inputs; they receive current from AC input devices and return the current on the common. Each input has its own return. Outputs are individually-isolated relays which can drive a maximum of 2 A per output. These are Form A relay outputs where the contact is closed when the host CPU is active and the corresponding output logic bit is "1".



Power for module operation comes from the backplane. Output loads must be powered by an external source.

Intelligent processing for the module is performed by the CPU or NIU. The module provides 4 bits of discrete input data and receives 8 bits of discrete output data.

### **LED Indicators**

Individual green LEDs indicate the On/Off states of the output points and input points. Operation of the output LEDs is logic driven and independent of the load conditions.

The green OK LEDs are ON when backplane power is present to the module.

**IC200MDD850**  
**Mixed Module, Output Relay 2.0 A per Pt Isolated 8 Points /**  
**Input 240 V AC Isolated 4 Points**

### Module Specifications

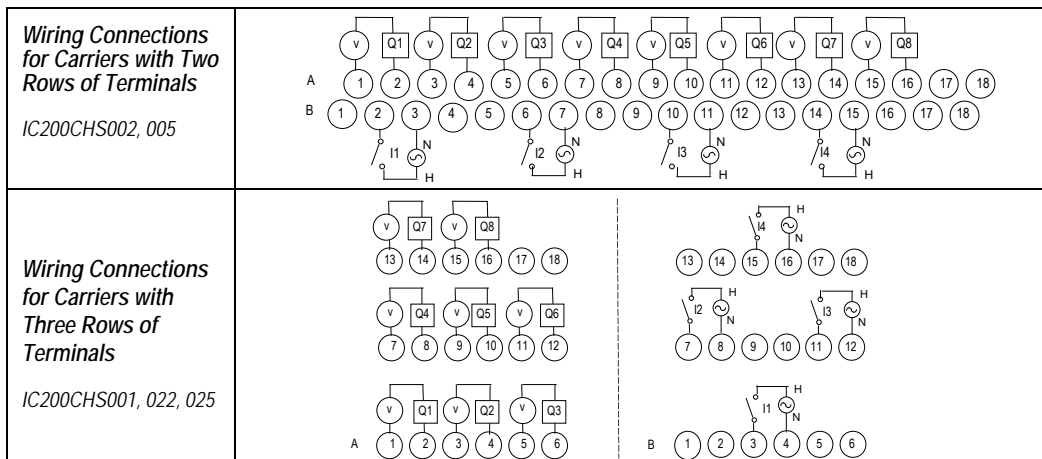
<b>Module Characteristics</b>									
Points	8 Individually-isolated Form A Relay Outputs 4 Isolated AC Inputs								
Module ID	88028040								
Isolation: User input/output to logic (optical) and frame ground Group to group Point to point	250 V AC continuous; 1500 V AC for 1 minute  250 V AC continuous; 1500 V AC for 1 minute Outputs: 250 V AC continuous; 1500 V AC for 1 minute Inputs: 250 V AC continuous; 1500 V AC for 1 minute								
LED indicators	One LED per point shows individual point on/off state OK LED indicates backplane power is present								
Backplane current consumption	5V output: 275mA maximum Refer to graph								
Thermal derating	None								
<i>Compatibility</i>	<i>PME programming software</i>	<i>CPU 001</i>	<i>CPU 002</i>	<i>CPU 005</i>	<i>CPU E05</i>	<i>DBI 001</i>	<i>EBI 001</i>	<i>GBI 001</i>	<i>PBI 001</i>
<i>HW,FW vers. FW release</i>	All	AA 1.0	AA 1.5	AA 2.1	AA 2.1	AA 1.1	AA 1.0	AA 1.0	AA 1.0
<b>Input Characteristics</b>									
Input voltage	0 to 264 V AC (47 to 63Hz), 240 V AC nominal								
On state voltage	155 to 264 V AC								
Off state voltage	0 to 40 V AC								
On state current	4mA minimum								
Off state current	1.5mA maximum								
On response time	1 cycle maximum								
Off response time	2 cycles maximum								
Input impedance	38.5kΩ (reactive) at 60Hz, typical 46.3kΩ (reactive) at 50Hz, typical								
<b>Output Characteristics</b>									
Output voltage	0 to 125 V DC, 5/24/125 V DC nominal 0 to 265 V AC (47 to 63Hz), 120/240 V AC nominal								
Output voltage drop	0.3V maximum								
Load current	10mA per point minimum 2.0 Amps for 5 to 265 V AC maximum (resistive) 2.0 Amps for 5 to 30 V DC maximum (resistive) 0.2 Amp for 31 to 125 V DC maximum (resistive)								
Output leakage current	Not applicable (open contact)								
On response time	10ms maximum								
Off response time	10ms maximum								
Protection	No internal fuses or snubbers.								
Switching frequency	20 cycles per minute (inductive load)								
Relay type	Fixed coil, moving armature								
Contact type	Silver alloy								
Contact life	Refer to appendix B								

**IC200MDD850**  
**Mixed Module, Output Relay 2.0 A per Pt Isolated 8 Points /**  
**Input 240 V AC Isolated 4 Points**

### Field Wiring

Terminal	Connection	Terminal	Connection
A1	Output 1-1	B1	No connection
A2	Output 1-2	B2	No connection
A3	Output 2-1	B3	Input 1
A4	Output 2-2	B4	Input 1 Return
A5	Output 3-1	B5	No connection
A6	Output 3-2	B6	No connection
A7	Output 4-1	B7	Input 2
A8	Output 4-2	B8	Input 2 Return
A9	Output 5-1	B9	No connection
A10	Output 5-2	B10	No connection
A11	Output 6-1	B11	Input 3
A12	Output 6-2	B12	Input 3 Return
A13	Output 7-1	B13	No connection
A14	Output 7-2	B14	No connection
A15	Output 8-1	B15	Input 4
A16	Output 8-2	B16	Input 4 Return
A17	No connection	B17	No connection
A18	No connection	B18	No connection

Outputs are individually isolated. This module should be used with a compact terminal-style carrier (IC200CHS022 or 025) or with a terminal-style carrier (IC200CHS001, 002, 005 suffix "B" or higher). It cannot be used with a Connector-Style Carrier (IC200CHS003) due to its high isolation requirement. When wiring outputs to inductive loads, use of external suppression circuits is recommended. Refer to chapter 2, Installing Wiring for I/O Devices-Wiring to Inductive Loads.



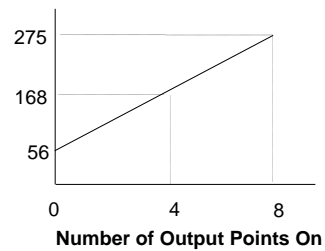
**IC200MDD850**  
**Mixed Module, Output Relay 2.0 A per Pt Isolated 8 Points /**  
**Input 240 V AC Isolated 4 Points**

### **Backplane Power Drain per Point**

The module's backplane 5 V power requirement increases as the number of output points that are simultaneously on increases. The following chart displays the relationship between the number of points on and the maximum current required.

$$\text{mA} = 56 + (28 \times \text{number of output points on})$$

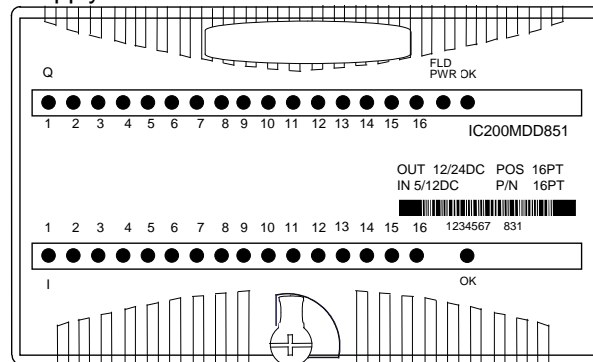
**Maximum Current Drawn from Backplane (mA)**



*IC200MDD851*

*Mixed Module, Output 12/24 V DC Positive Logic Grouped  
16 Points / Input 5/12 V DC Pos/Neg Logic Grouped 16 Points*

Discrete input/output module IC200MDD851 provides two groups of 8 discrete inputs and one group of 16 discrete outputs. Inputs in each group can be either positive logic inputs that receive current from input devices and return the current on the common, or negative-logic inputs that receive current from the common and return current to the input device. Input devices are connected between the input terminals and common terminals. For the inputs to be compatible with TTL devices, the negative logic configuration should be used. The outputs are positive or sourcing type outputs. They switch the loads to the positive side of the DC supply and thus supply current to the loads.



Power for module operation comes from the backplane. Output loads must be powered by an external source. Intelligent processing for the module is performed by the CPU or NIU. The module provides 4 bits of discrete input data and receives 8 bits of discrete output data.

### *LED Indicators*

Individual green LEDs indicate the On/Off states of the output and input points. Backplane power must be present for LEDs to provide status of inputs. The output LEDs are dependent on field power, but independent of load conditions. The green FLD PWR LED is ON when field power is applied to the module. The green OK LEDs are ON when backplane power is present to the module.

### *Configuration Parameters*

The module's basic input on/off response time is 0.25 ms. For some applications, it may be preferable to add additional filtering to compensate for conditions such as noise spikes or switch bounce. Input filter times of 0ms, 1.0ms, or 7.0ms are selectable through software configuration, for total response times of 0.25ms, 1.25ms, and 7.25ms respectively. The default is 1.0ms filter time (total response time is 1.25ms).

**IC200MDD851**  
**Mixed Module, Output 12/24 V DC Positive Logic Grouped**  
**16 Points / Input 5/12 V DC Pos/Neg Logic Grouped 16 Points**

### Module Specifications

<b>Module Characteristics</b>									
Points	One group of 16 Outputs Two groups of 8 Inputs								
Module ID	80088080								
Isolation:	250 V AC continuous; 1500 V AC for 1 minute								
User input/output to logic (optical) and to frame ground	250 V AC continuous; 1500 V AC for 1 minute								
Group to group	None								
Point to point	None								
LED indicators	One LED per point shows individual point on/off state FLD PWR LED indicates field power is present OK LED indicates backplane power is present								
Backplane current consumption	5V output: 115mA maximum								
External power supply	+10.2 to +30 V DC, +12/24 V DC nominal								
Thermal derating	Refer to diagram								
Configuration parameters	Input response time								
<b>Compatibility</b>	<i>PME programming software</i>	<i>CPU 001</i>	<i>CPU 002</i>	<i>CPU 005</i>	<i>CPU E05</i>	<i>DBI 001</i>	<i>EBI 001</i>	<i>GBI 001</i>	<i>PBI 001</i>
<i>HW,FW vers. FW release</i>	All	AA 1.0	AA 1.5	AA 2.1	AA 2.1	AA 1.1	AA 1.0	AA 1.0	AA 1.0
<b>Input Characteristics</b>									
Input voltage	0 to +15 V DC, +5/12 V DC nominal								
User input current	1.8mA typical at 5 V DC, 4.9mA typical at 12 V DC								
Input impedance	2.4kΩ typical at 12 V DC								
On state voltage	+4.2 to +15 V DC								
Off state voltage	0 to +2.6 V DC								
On state current	1.45mA minimum								
Off state current	0 to 0.7mA maximum								
On response time	0.25ms maximum								
Off response time	0.25ms maximum								
Configurable filter time	0ms, 1.0ms (default), or 7.0mS								
<b>Output Characteristics</b>									
Output voltage	+10.2 to +30 V DC, +12/24 V DC nominal								
Output voltage drop	0.3 V DC maximum								
Load current	0.5 A at 30 V DC maximum (resistive) 2.0 A maximum for 100ms inrush								
Output leakage current	0.5mA at 30 V DC maximum								
On response time	0.2ms maximum								
Off response time	1.0ms maximum								
Protection	No internal fuses								

**IC200MDD851**  
**Mixed Module, Output 12/24 V DC Positive Logic Grouped**  
**16 Points / Input 5/12 V DC Pos/Neg Logic Grouped 16 Points**

**Field Wiring**

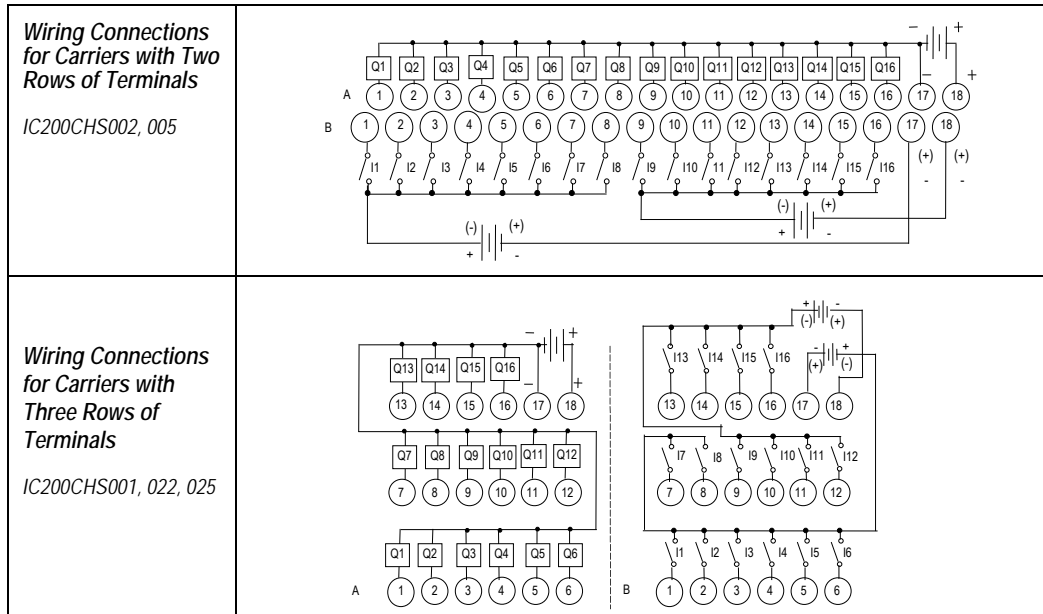
<b>Terminal</b>	<b>Connection</b>	<b>Terminal</b>	<b>Connection</b>
A1	Output 1	B1	Input 1
A2	Output 2	B2	Input 2
A3	Output 3	B3	Input 3
A4	Output 4	B4	Input 4
A5	Output 5	B5	Input 5
A6	Output 6	B6	Input 6
A7	Output 7	B7	Input 7
A8	Output 8	B8	Input 8
A9	Output 9	B9	Input 9
A10	Output 10	B10	Input 10
A11	Output 11	B11	Input 11
A12	Output 12	B12	Input 12
A13	Output 13	B13	Input 13
A14	Output 14	B14	Input 14
A15	Output 15	B15	Input 15
A16	Output 16	B16	Input 16
A17	DC -	B17	Inputs 1-8 Common
A18	DC +	B18	Inputs 9-16 Common

The 16 inputs form two groups of 8. Each group has a common connection. When wiring outputs to inductive loads, use of external suppression circuits is recommended. Refer to chapter 2, Installing Wiring for I/O Devices-Wiring to Inductive Loads.



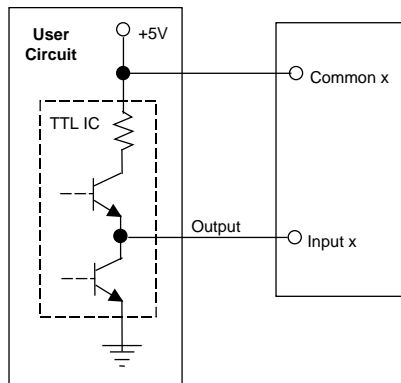
**IC200MDD851**  
**Mixed Module, Output 12/24 V DC Positive Logic Grouped**  
**16 Points / Input 5/12 V DC Pos/Neg Logic Grouped 16 Points**

Each group may be wired for positive or negative logic inputs. The 16 outputs form one group with a DC+ and a DC- terminal.



**Wiring for TTL Inputs**

To be compatible with TTL outputs, the negative logic configuration should be used as follows.

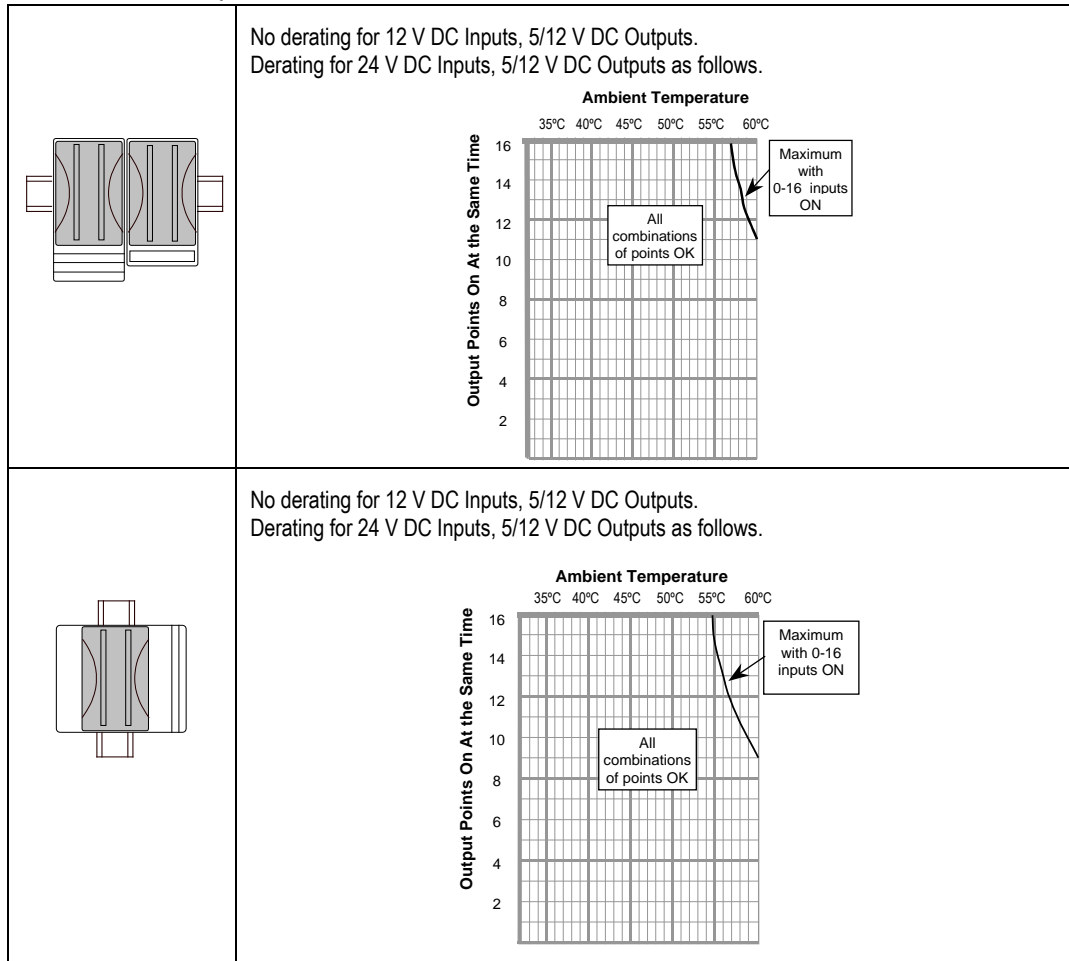


**IC200MDD851**

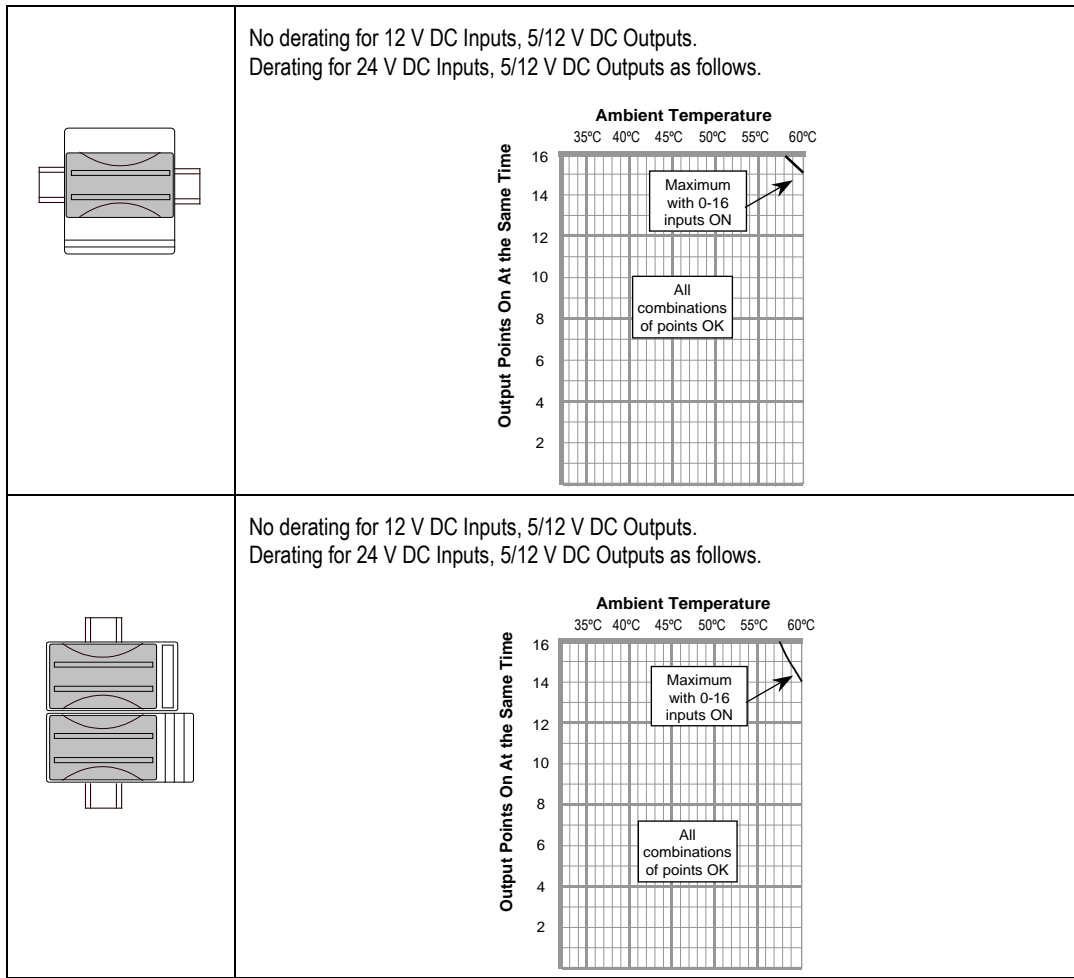
**Mixed Module, Output 12/24 V DC Positive Logic Grouped  
16 Points / Input 5/12 V DC Pos/Neg Logic Grouped 16 Points**

### Thermal Derating

The number of points that can be on at the same time depends on the ambient temperature, the external voltage, and the orientation of the module and DIN rail. There is no derating for 12 V DC inputs, The following charts display thermal deratings for this module at 24 V DC. All combinations of points are permissible at lower temperatures.



**IC200MDD851**  
**Mixed Module, Output 12/24 V DC Positive Logic Grouped**  
**16 Points / Input 5/12 V DC Pos/Neg Logic Grouped 16 Points**



# Chapter 10

## Analog Input Modules

---

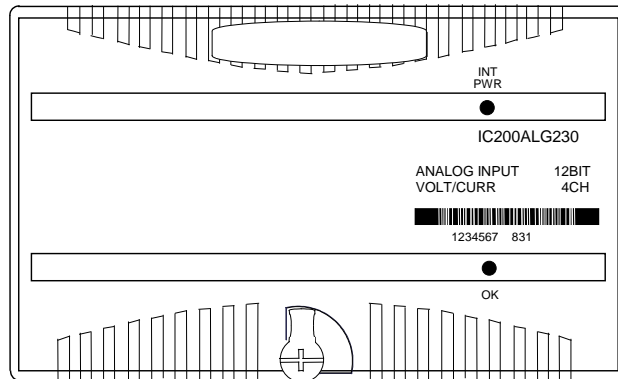
---

This chapter describes analog input modules.

- IC200ALG230 Analog Input Module, 12 Bit Voltage/Current 4 Channels
- IC200ALG240 Analog Input Module, 16 Bit Voltage/Current, 1500 V AC Isolation, 8 Channels
- IC200ALG260 Analog Input Module, 12 Bit Voltage/Current 8 Channels
- IC200ALG261 Analog Input Module, 15 Bit Differential Voltage 8 Channels
- IC200ALG262 Analog Input Module, 16 Bit Differential Current 8 Channels
- IC200ALG263 Analog Input Module, 15 Bit Voltage 15 Channels
- IC200ALG264 Analog Input Module, 15 Bit Current 15 Channels
- IC200ALG265 Analog Input Module, 15 Bit Voltage 15 Channels, SIL2
- IC200ALG266 Analog Input Module, 15 Bit Current 15 Channels, SIL2

### *IC200ALG230 Analog Input Module, 12 Bit Voltage/Current 4 Channels*

Analog input module IC200ALG230 provides an interface to 4 voltage inputs or 4 current inputs. The inputs are single-ended, with all inputs sharing a common return.



The module receives power from the backplane power supply. No external power source is required for module operation. Power for the user's transceivers must be supplied from an external source.

Intelligent processing for this module is performed by the CPU or NIU. The module provides 4 words of analog input data.

#### *LED Indicators*

The green INT PWR LED indicates the presence of internally-generated field power for the analog field-side circuits.

The green OK LED is ON when backplane power is present to the module.

#### *Diagnostics*

The module reports a Loss of Internal Power fault for field-side circuits.

#### *Configuration Parameters*

Two jumpers on the carrier terminals can be used to configure voltage or current mode and unipolar or bipolar operation in voltage mode. One jumper selects either voltage or current operating mode. With this jumper connected, the module accepts current inputs in the 4mA to 20mA range. With no jumper installed the module accepts -10 V DC to +10 V DC inputs.

In voltage mode, a different jumper on the carrier can be used to select the 0 to 10 V DC range.

**IC200ALG230**

**Analog Input Module, 12 Bit Voltage/Current 4 Channels**

**Module Specifications**

<b>Module Characteristics</b>										
Channels		4 single ended, one group								
Module ID		FFFF9004								
Isolation:		250 V AC continuous; 1500 V AC for 1 minute								
User input to logic (optical) and to frame ground										
Group to group		Not applicable								
Channel to channel		None								
LED indicators		INT PWR LED indicates internally-generated field power is present. OK LED indicates backplane power is present								
Backplane current consumption		5V output: 125mA maximum								
External power supply		None								
Thermal derating		None								
Configuration parameters		Range select, Mode select (jumpers on carrier)								
Diagnostics		Loss of Internal Power								
Compatibility	PME programming software	CPU 001	CPU 002	CPU 005	CPU E05	DBI 001	EBI 001	GBI 001	PBI 001	
HW, FW vers. FW release	All	AA 1.5	AA 2.1	AA 2.1	AA 1.1	AA 1.0	AA 1.0	AA 1.0	AA 1.0	AA 1.0
<b>Input Characteristics: Voltage Mode (default)</b>										
Input voltage:		Bipolar: ±10 V DC (default) Unipolar: 0 to 10V (configurable)								
Input Impedance		126 kΩ maximum								
Accuracy at: 25 °C <sup>†</sup> 0 to 60 °C		±0.3% typical of full scale, ±0.5% maximum of full scale ±1% maximum of full scale								
Resolution:		Bipolar mode: 2.5mV = 8 counts Unipolar mode: 2.5mV = 8 counts								
Filter response		5.0ms								
Update rate per module		0.4ms								
Common mode voltage		0 V								
Channel-to-channel crosstalk rejection		30dB minimum								
<b>Input Characteristics: Current Mode</b>										
Input current		4 to 20mA								
Input Impedance		200 Ω maximum								
Accuracy at: 25 °C <sup>†</sup> 0 to 60 °C		±0.3% typical of full scale, ±0.5% maximum of full scale ±1% maximum of full scale								
Resolution		4μA = 8 counts								
Filter response		5ms								
Update rate per module		0.4ms								
Channel-to-channel crosstalk rejection		30dB minimum								

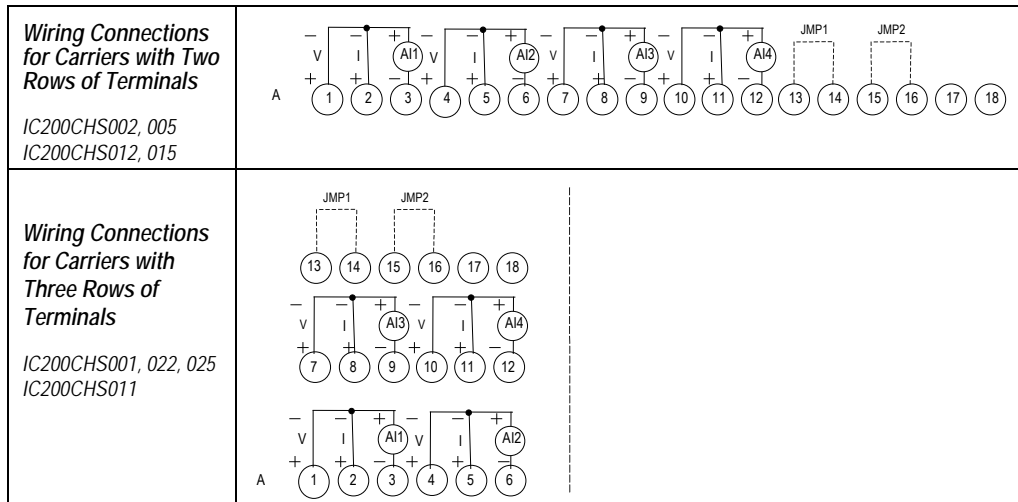
<sup>†</sup> In the presence of severe RF interference, (IEC 1000-4-3, 10V/m), accuracy may be degraded to ±3%.

**IC200ALG230**  
**Analog Input Module, 12 Bit Voltage/Current 4 Channels**

*Field Wiring*

Number	Connection	Number	Connection
A1	V1	B1	No connection
A2	I1	B2	No connection
A3	Return (common)	B3	No connection
A4	V2	B4	No connection
A5	I2	B5	No connection
A6	Return (common)	B6	No connection
A7	V3	B7	No connection
A8	I3	B8	No connection
A9	Return (common)	B9	No connection
A10	V4	B10	No connection
A11	I4	B11	No connection
A12	Return (common)	B12	No connection
A13	JMP1-A	B13	No connection
A14	JMP1-B	B14	No connection
A15	JMP2-A	B15	No connection
A16	JMP2-B	B14	No connection
A17	NC	B17	No connection
A18	NC	B18	No connection

**Note:** All inputs are single-ended, and share a common return. Either voltage or current devices may be connected per channel (not both).



**IC200ALG230**

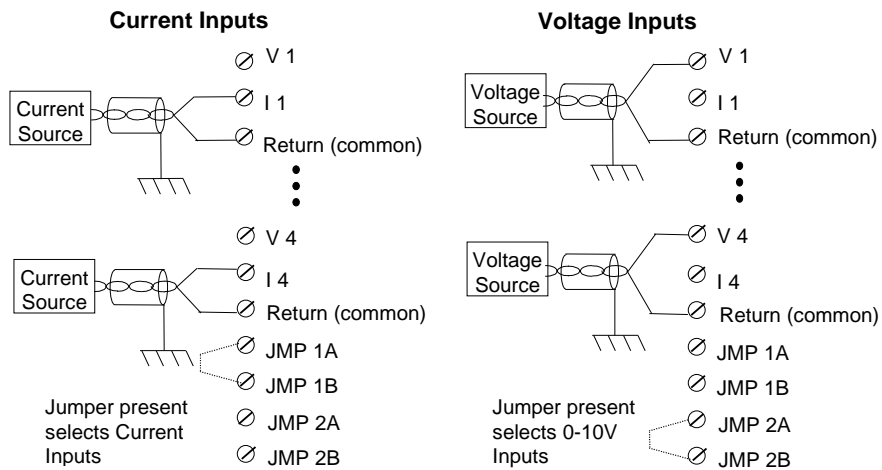
**Analog Input Module, 12 Bit Voltage/Current 4 Channels**

**Jumper Selections**

Jumpers on JMP 1 and JMP 2 select voltage or current operation and voltage range. In current mode, JMP2 is ignored.

Jumper	Range
None	±10V
1	4-20mA
2	0-10V
1 & 2	Not recommended

**Wiring Examples**



An external source is needed to power input transceivers.



---

**IC200ALG230**  
**Analog Input Module, 12 Bit Voltage/Current 4 Channels*****Cable Shield Connections***

If possible, the cable should be grounded at the source device. If that is not possible, the cable shield must be grounded at the source device. If that is not possible, the cable shield must be grounded at the I/O module. This can be done using an Auxiliary I/O Terminal (IC200TBM001, 002, or 005).

If the module is installed on a Terminal-style I/O Carrier (IC200CHS001, 002, or 005), shield connections can be made on an Auxiliary I/O Terminal that is attached to the I/O carrier.

If the module is installed on a Compact Terminal-style I/O Carrier (IC200CHS022, 025), shield connections can be made on an Auxiliary I/O Terminal that is mounted near the I/O carrier. Be sure to ground the Auxiliary I/O Terminal Strip if you plan to use it for this purpose.

If the module is installed on a Connector-style I/O Carrier (IC200CHS003), the cable shield can be connected directly to an Interposing Terminal (IC200CHS011, 012, 015). Be sure to ground the Interposing Terminal. It is recommended to use a shielded interposing cable as well between the Interposing Terminal and the Connector Base. A custom shielded cable can be made using the Connector kit (IC200ACC304). In addition, a custom shield braid can be wrapped around standard Interposing Cables (IC200CBL105, 110, 120, 230). If this approach is used be sure to ground the braid.

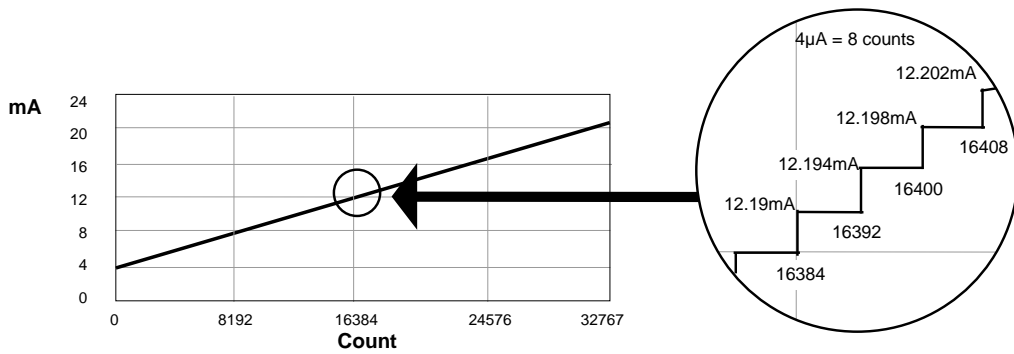
*IC200ALG230*

*Analog Input Module, 12 Bit Voltage/Current 4 Channels*

**Scaling**

The following graphs illustrate the relationship between the input voltage or current measured at the field terminals and the data that is output by the module.

**Count and Input Current**



The following equation can be used to calculate counts values:

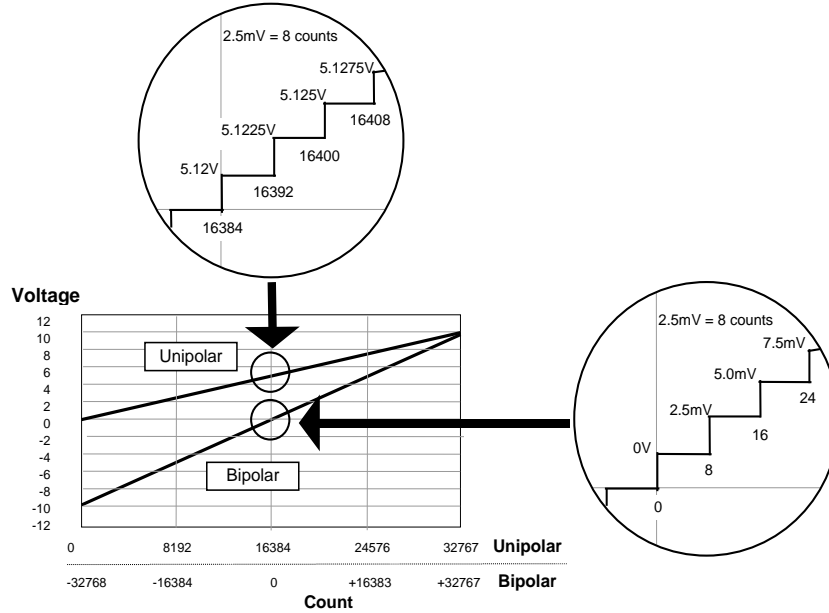
$$\text{Counts} = (\text{Current in mA} - 4\text{mA}) \times (32768 / 16.35\text{mA})$$

For a change in the reported count value to be seen, input current must be increased by at least 4µA. If the module receives an increase less than 4µA, the previous count value is still reported. For example:

Current	Count
12.190mA	16384
12.192mA	16384
12.194mA	16392

**IC200ALG230**  
**Analog Input Module, 12 Bit Voltage/Current 4 Channels**

*Count and Input Voltage*



The following equations can be used to calculate counts values:

Bipolar voltage:      Counts = ( ±Voltage In ) x (3200)

Unipolar voltage:      Counts = ( +Voltage In ) x (3200)

For a change in the reported count value to be seen, input voltage must be increased by at least 2.5mV. If the module receives an increase less than 2.5mV, the previous count value is still reported. For example:

Voltage	Count
5.1200V	16384
5.1220V	16384
5.1225V	16392

*Input Defaults*

The module's analog input (%AI) data can be configured to either hold last state or to go to a configured value if an error causes the inputs to default.

If the module is auto-configured, the input default is 0.

**IC200ALG240**

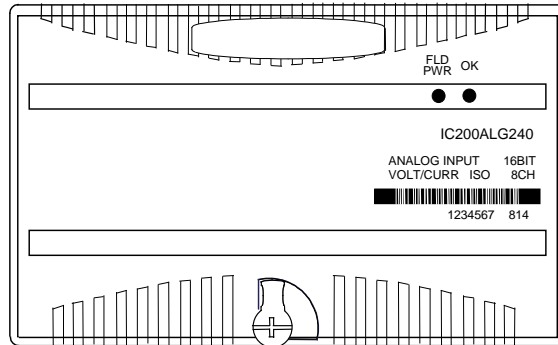
**Analog Input Module, 16 Bit Voltage/Current, 1500 V AC Isolation, 8 Channels**

Analog input module IC200ALG240 provides eight analog inputs. Features include:

- Eight isolated 4-20mA current input channels
- Sixteen-bit converter resolution
- Open wire detection
- High-accuracy factory calibration

The following additional features are software-configurable:

- Per-channel selection of 4-20mA current or +/-10V voltage inputs
- Selectable input filter to reject normal mode AC pickup noise
- Selection of default/hold last state operation
- Per-channel selection of default values
- Per-channel selection of under-range and over-range diagnostics levels
- Per-channel selection of alarm levels
- Per-channel scaling



In current mode, a separate power supply may be required for isolated inputs. The module provides 8 words of analog input data to the system CPU or NIU.

**LED Indicators**

The green FLD PWR LED indicates the presence of both backplane power and field power for the analog field-side circuits. The absence of either backplane or field power turns off the FLD PWR LED.

The OK LED indicates module status:

- On green indicates normal operation
- Flashing green indicates boot mode or update
- Flashing amber indicates self-diagnostic error
- Off indicates no 3.3V backplane power

**IC200ALG240**  
**Analog Input Module, 16 Bit Voltage/Current, 1500 V AC Isolation, 8 Channels**

**Module Specifications**

<b>Module Characteristics</b>									
Channels		8 inputs							
Module ID		FFFF9802							
Isolation:		250 V AC continuous; 1500 V AC for 1 minute							
User input to logic (optical) and frame ground,		Not applicable							
Group to Group		250 V AC continuous; 1500 V AC for 1 minute							
Channel to channel		250 V AC continuous; 1500 V AC for 1 minute							
LED indicators		FLD PWR LED indicates the presence of both logic power and user power. OK LED indicates module status.							
Backplane current consumption		5V output: 15mA maximum. 3.3V output: 120mA maximum							
External power supply:		+19.5 to +30 V DC including ripple							
Range		100mA maximum plus load currents							
Current consumption		None							
Thermal derating		None							
Diagnostics		High/Low Limit, Over/Underrange, Open Wire, Loss of Field Power Supply, Non-volatile memory fault							
<b>Compatibility</b>	<i>PME programming software</i>	<i>CPU 001</i>	<i>CPU 002</i>	<i>CPU 005</i>	<i>CPU E05</i>	<i>DBI 001</i>	<i>EBI 001</i>	<i>GBI 001</i>	<i>PBI 001</i>
HW, FW vers. FW release	All	BC 1.2	AA 1.5	AA 2.1	AA 2.1	AA 1.1	AA 1.0	AB 1.1	BB 1.1
<b>Input Characteristics</b>									
Input operating range		Current mode: +1 to 20mA Voltage mode: $\pm 10$ V DC							
Accuracy at 25 °C		$\pm 0.1\%$ maximum of full scale							
Temperature coefficient		Current mode: 45ppm/°C typical, 90 ppm/°C maximum Voltage mode: 30ppm/°C typical, 60 ppm/°C maximum							
Analog Resolution (1 LSB)		Current mode: 381 nA nominal Voltage mode: 381 $\mu$ V nominal							
Channel data Update rate per module		Approximately 20 mS max. at 50 Hz filter frequency Approximately 16.7 mS max. at 60 Hz filter frequency							
Channel-to-channel crosstalk rejection		70dB minimum							
Input default		0 (default) or Hold Last State (configurable)							
Field input DC resistance		Current mode: 150 $\Omega$ , Voltage mode: 760 k $\Omega$							
Field input filter		Type: Digital w/programmable notches at 50 or 60 Hz 3 dB Corner Frequency: 10Hz $\pm 25\%$							
Normal mode (power line frequency) rejection		35 dB minimum							
Field Input Ranges		Current mode: Approximately 0 mA to +25 mA Voltage mode: Approximately -12.5 V to +12.5 V							
Maximum field input (without damage)		Current mode: $\pm 35$ mA continuous Voltage mode: $\pm 17.5$ V continuous							

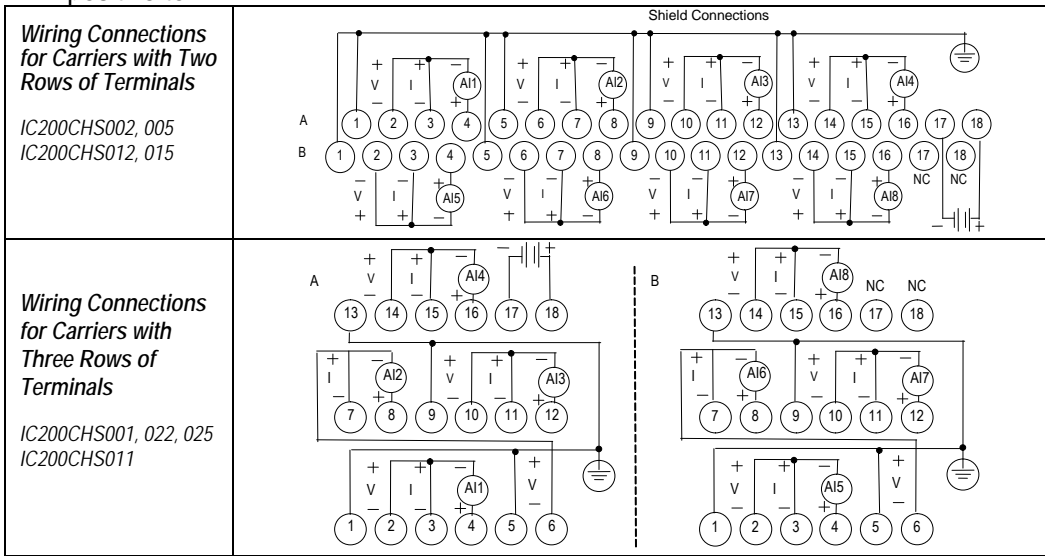
**IC200ALG240**

**Analog Input Module, 16 Bit Voltage/Current, 1500 V AC Isolation, 8 Channels**

**Field Wiring**

Number	Connection	Number	Connection
A1	Shield Termination Point	B1	Shield Termination Point
A2	VIN1-	B2	VIN5-
A3	IIN1-	B3	IIN5-
A4	VINIIN1+	B4	VINIIN5+
A5	Shield Termination Point	B5	Shield Termination Point
A6	VIN2-	B6	VIN6-
A7	IIN2-	B7	IIN6-
A8	VINIIN2+	B8	VINIIN6+
A9	Shield Termination Point	B9	Shield Termination Point
A10	VIN3-	B10	VIN7-
A11	IIN3-	B11	IIN7-
A12	VINIIN3+	B12	VINIIN7+
A13	Shield Termination Point	B13	Shield Termination Point
A14	VIN4-	B14	VIN8-
A15	IIN4-	B15	IIN8-
A16	VINIIN4+	B16	VINIIN8+
A17	DC-	B17	No connection
A18	DC+	B18	No connection

A 24 volt power supply must be connected to A17 and A18 to operate the module. The power wiring does not require shielding. Current inputs are applied with positive current flow into VININn+ and out of IINn-. Both negative terminals IINn- and VINn- of the channel should be connected together for best accuracy on current ranges. Voltage inputs are applied between VININn+ and VINn- with positive to VININn+.



**IC200ALG240****Analog Input Module, 16 Bit Voltage/Current, 1500 V AC Isolation, 8 Channels*****Cable Shield Connections***

If possible, analog input channel connections should be grounded at the source device. If that is not possible, the cable shield must be grounded at the I/O module.

If the module is installed on a Terminal-style I/O Carrier (IC200CHS001, 002, or 005) or a Compact Terminal-style I/O Carrier (IC200CHS022 or 025), the cable shield can be connected directly to the carrier per the Field Wiring Table. An Auxiliary I/O Terminal Strip (IC200TBM001, 002, or 005) can also be added to the Terminal-style I/O Carriers to aid in grounding shields. If the module is installed on a Compact Terminal-style I/O Carrier (IC200CHS022, 025), shield connections can be made on an Auxiliary I/O Terminal that is mounted near the I/O carrier. Be sure to ground the Auxiliary I/O Terminal Strip as well to use it for this purpose.

If the module is installed on a Connector-style I/O Carrier (IC200CHS003), the cable shield can be connected directly to an Interposing Terminal (IC200CHS011, 012, 015). Be sure to ground the Interposing Terminal. It is recommended to use a shielded interposing cable as well between the Interposing Terminal and the Connector Base. A custom shielded cable can be made using the Connector kit (IC200ACC304). In addition, a custom shield braid can be wrapped around standard Interposing Cables (IC200CBL105, 110, 120, 230). If this approach is used be sure to ground the braid.

***Operation***

The default parameters of this module can be used in many applications. The module can be software-configured when it is installed in a VersaMax PLC system, or an I/O Station controlled by a Network Interface Unit that is version 2.0 or above. The module is configured at startup. If the module is auto-configured, it will operate with its default features. After configuration, the module begins receiving signals from the input devices connected to it.

***Calibration***

The module is calibrated at the factory. For most applications, no further calibration is required. It is possible to perform recalibration by changing a module's scaling so its scaled data agrees with metered values.

---

<i>IC200ALG240</i>
<i>Analog Input Module, 16 Bit Voltage/Current, 1500 V AC Isolation, 8 Channels</i>

### *Diagnostics*

By default, the module is configured for fault reporting. The module reports faults as soon as they are detected. Once a fault has been reported, the same fault is not reported again until the fault has been cleared. Fault reporting can be disabled via configuration. If disabled, faults are not reported. The module can detect and report the following faults:

#### *Over-Range*

The module reports an Over-Range fault if an input value is greater than approximately +12.5 V or 25 mA.

#### *Under-Range*

The module reports an Under Range fault if an input value is approximately 0mA on a current channel or -12.5 volts on a voltage channel.

#### *Open Wire*

The module reports an Open Wire fault on current inputs if the configuration of the low end of the range is greater than or equal to approximately 2.0 mA, but the input is not detecting current.

#### *Loss of Field Power Supply*

The module reports a Loss of Field Power fault if field power is not present (also indicated by the FLD PWR LED). Inputs default as specified by the configuration.

#### *High Limit*

The module reports a High Alarm fault if an input value is greater than or equal to the value specified by the "Alarm High" configuration parameter.

#### *Low Limit*

The module reports a Low Alarm fault if an input value is less than or equal to the value specified by the "Alarm Low" configuration parameter.

#### *Non-volatile Memory Fault*

The module reports this fault only during field recalibration if a non-volatile memory fault is detected.



**IC200ALG240****Analog Input Module, 16 Bit Voltage/Current, 1500 V AC Isolation, 8 Channels****Configurable Parameters**

The default parameters of this module can be used in many applications. The module can be software-configured when it is installed in a VersaMax PLC system, or an I/O Station controlled by a Network Interface Unit that is version 2.0 or above.

Module Parameter	Description	Default	Choices
Analog Input Data Reference	Starting offset for the module's analog input data.		User selectable
Analog Input Data Length	Word length of the module's analog input data.	8	0–8
Line Frequency	Specifies the line filter frequency.	60 Hz	50 Hz, 60 Hz
Report Faults	Enables or disables Fault Reporting for the entire Module.	Enabled	Enabled, Disabled
%AI Default /Hold Last State	Specifies whether the module will go to the specified channel defaults (see below) or hold their last states if power or communications are lost.	Default	Default /Hold
Current /Voltage	Specifies whether the channel will be a voltage or current input. If the Channel type is Current, the range is 4 to 20mA. If Channel type is Voltage, the range is –10 to +10V.	I (Current)	I (Current), V (Voltage)
Channel Active	Specifies if the channel should input data received from the CPU or NIU. If a channel is "inactive" space is still allocated for it.	Active	Inactive (off), Active (on)
Span Low	Actual current (in microAmps) or voltage (in milliVolts) to be scaled from low engineering units value.	4,000 $\mu$ A	0 to 25,000 $\mu$ A –10,000 to +10,000mV
Span High	Actual current in microAmps or voltage in millivolts to be scaled from the high engineering units value.	20,000 $\mu$ A	0 to 25,000 $\mu$ A –10,000 to +10,000mV
Engineering Low	The engineering units value that is considered equivalent to the low span (actual) value.	4000	0 to 25,000 $\mu$ A –10,000 to +10,000mV
Engineering High	The engineering units value that is considered equivalent to the high span (actual) value.	20000	0 to 25,000 $\mu$ A –10,000 to +10,000mV
Alarm Low	The low alarm limit for the channel, in engineering units.	4000	-32768 to +32767
Alarm High	The high alarm limit for the channel, in engineering units.	20000	-32768 to +32767
Default	The value to be input when the module is in a default condition.	0	-32768 to +32767

*IC200ALG240*

*Analog Input Module, 16 Bit Voltage/Current, 1500 V AC Isolation, 8 Channels*

**Configuring Scaling**

The module converts electrical signals (either current or voltage, as configured) into digital output values for the CPU or NIU. By default, the module converts this data from 1 millivolt or 1 microamp “internal units” for convenience in scaling and comparing to actual meter measurements.

The module’s default scaling can be changed to tailor the data for a specific application. Typically, engineering units represent millivolts or microamps. But they may also represent physical units such as degrees or centimeters per second. When reconfiguring scaling, it is important to be sure that the chosen Engineering Units values would not result in Overrange or Underrange output levels.

The scaling for each channel can be configured independently. Scaling is configured by selecting corresponding low and high engineering units values and low and high internal values (counts) for two points.

During operation, the module will use the straight line defined by these two pairs of configured scaling values to convert internal values to current or voltage signal levels that represent appropriate engineering units.

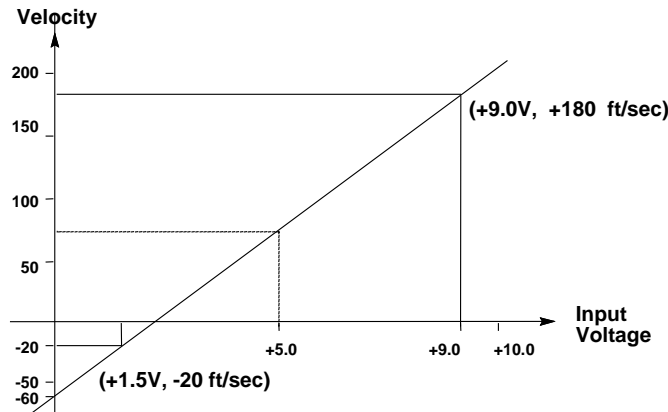
**Scaling Values for 1mV or 1µA Engineering Units**

For many applications, the engineering units are either millivolts or microAmps. These units are easy to scale. Refer to the following table for scaling values that are appropriate for the channel’s configured range.

Examples	Input Range	Enter this engineering units value		Span Units (microAmps)	
4 mA to 20 mA	4 mA 20 mA	Low	+4,000	Low	+4,000
		High	+20,000	High	+20,000
-10 volts to +10 volts	0 volts +10 volts	Low	0	Low	+4,000
		High	+10,000	High	+20,000
0 mA to 20 mA	0 mA 20 mA	Low	0	Low	0
		High	+20,000	High	+20,000
-10 volts to +10 volts	-5 volts +10 volts	Low	-5,000	Low	-5,000
		High	+10,000	High	+10,000

**IC200ALG240****Analog Input Module, 16 Bit Voltage/Current, 1500 V AC Isolation, 8 Channels****Scaling Example**

A channel is configured in the 0 to 10 V DC range. It measures a velocity input. Electronic sensors and mechanical linkage external to the module have determined that an input level of +1.5 V DC is equal to -20 ft/sec (-6 m/sec), and that +9 V DC is equal to +180 ft/sec (+50 m/sec). Plotting these values on a graph illustrates that a signal of 5 V DC corresponds to a speed of 73.3 ft/sec.



For engineering units of feet per second, the following scaling values are used:

Low engineering units	=	-20	ft/sec
High engineering units	=	+180	ft/sec
Low span units	=	1500	millivolts
High span units	=	9000	millivolts

An input value of 5.0 V would be scaled to an engineering value of +00073 (ft/sec).

In this example, scaling to hundredths of feet per second would provide better resolution. The following scaling values would be used:

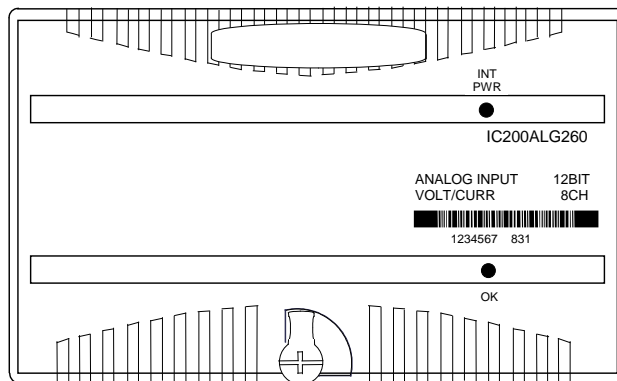
Low engineering units	=	-2000	hundredths ft/sec
High engineering units	=	+1800	hundredths ft/sec
Low span units	=	1500	millivolts
High span units	=	9000	millivolts

An input value of 5.0 V would be scaled to an engineering value of +7333 (hundredths of ft/sec).

**IC200ALG260**

**Analog Input Module, 12 Bit Voltage/Current 8 Channels**

Analog input module IC200ALG260 provides an interface to 8 voltage inputs or 8 current inputs. The inputs are single-ended, with all inputs sharing a common return.



The module receives power from the backplane power supply. No external power source is required for module operation. Power for the user's transceivers must be supplied from an external source.

Intelligent processing for this module is performed by the CPU or NIU. The module provides 8 words of analog input data.

### **LED Indicators**

The green INT PWR LED indicates the presence of internally-generated field power for the analog field-side circuits. The green OK LED is ON when backplane power is present to the module.

### **Diagnostics**

The module reports a Loss of Internal Power fault for field-side circuits.

### **Configuration Parameters**

Two jumpers on the carrier terminals can be used to configure voltage or current mode and unipolar or bipolar operation in voltage mode. One jumper selects either voltage or current operating mode. With this jumper connected, the module accepts current inputs in the 4mA to 20mA range. With no jumper installed the module accepts -10 V DC to +10 V DC inputs.

In voltage mode, a different jumper on the carrier can be used to select the 0 to 10 V DC range.

**IC200ALG260**  
**Analog Input Module, 12 Bit Voltage/Current 8 Channels**

**Module Specifications**

<b>Module Characteristics</b>									
Channels	8 single ended, one group								
Module ID	FFFF9008								
Isolation:	250 V AC continuous; 1500 V AC for 1 minute								
User input to logic (optical) and to frame ground	Not applicable								
Group to group	None								
Channel to channel	None								
LED indicators	INT PWR LED indicates internally-generated field power is present, OK LED indicates backplane power is present								
Backplane current consumption	5V output: 130mA maximum								
External power supply	None								
Thermal derating	None								
Configuration parameters	Range select, Mode select (jumpers on carrier)								
Diagnostics	Loss of Internal Power								
Compatibility	PME programming software	CPU 001	CPU 002	CPU 005	CPU E05	DBI 001	EBI 001	GBI 001	PBI 001
HW, FW vers. FW release	All	AA 1.0	AA 1.5	AA 2.1	AA 2.1	AA 1.1	AA 1.0	AA 1.0	AA 1.0
<b>Input Characteristics: Voltage Mode (default)</b>									
Input voltage	Bipolar: $\pm 10$ V DC (default) Unipolar: 0 to 10V (configurable)								
Input Impedance	126 k $\Omega$ maximum								
Accuracy at: 25 °C <sup>†</sup> 0 to 60 °C	$\pm 0.3\%$ typical of full scale, $\pm 0.5\%$ maximum of full scale $\pm 1\%$ maximum of full scale								
Resolution:	Bipolar mode: 2.5mV = 8 counts Unipolar mode: 2.5mV = 8 counts								
Filter response	5.0ms								
Update rate per module	0.4ms								
Common mode voltage	0 V								
Channel-to-channel crosstalk rejection	30dB minimum								
<b>Input Characteristics: Current Mode</b>									
Input current	4 to 20mA								
Input Impedance	200 $\Omega$ maximum								
Accuracy at: 25 °C <sup>†</sup> 0 to 60 °C	$\pm 0.3\%$ typical of full scale, $\pm 0.5\%$ maximum of full scale $\pm 1\%$ maximum of full scale								
Resolution	4 $\mu$ A = 8 counts								
Filter response	5ms								
Update rate per module	0.4ms								
Channel-to-channel crosstalk rejection	30dB minimum								

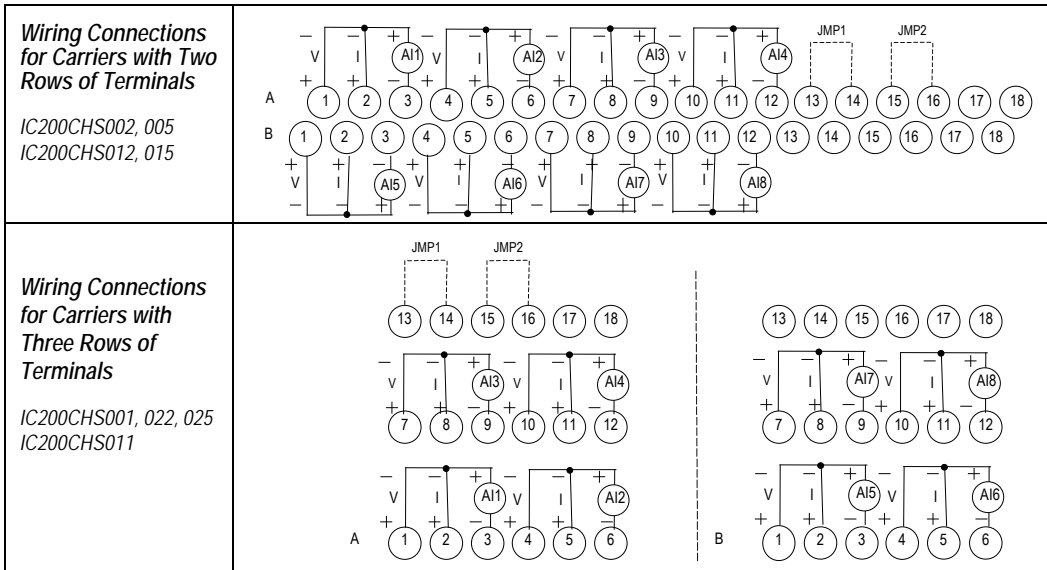
<sup>†</sup> In the presence of severe RF interference, (IEC 1000-4-3, 10V/m), accuracy may be degraded to  $\pm 3\%$ .

**IC200ALG260**  
**Analog Input Module, 12 Bit Voltage/Current 8 Channels**

**Field Wiring**

Number	Connection	Number	Connection
A1	V1	B1	V5
A2	I1	B2	I5
A3	Return (common)	B3	Return (common)
A4	V2	B4	V6
A5	I2	B5	I6
A6	Return (common)	B6	Return (common)
A7	V3	B7	V7
A8	I3	B8	I7
A9	Return (common)	B9	Return (common)
A10	V4	B10	V8
A11	I4	B11	I8
A12	Return (common)	B12	Return (common)
A13	JMP1-A	B13	No connection
A14	JMP1-B	B14	No connection
A15	JMP2-A	B15	No connection
A16	JMP2-B	B16	No connection
A17	NC	B17	No connection
A18	NC	B18	No connection

**Note:** All inputs are single-ended, and share a common return. Either voltage or current devices may be connected per channel (not both).



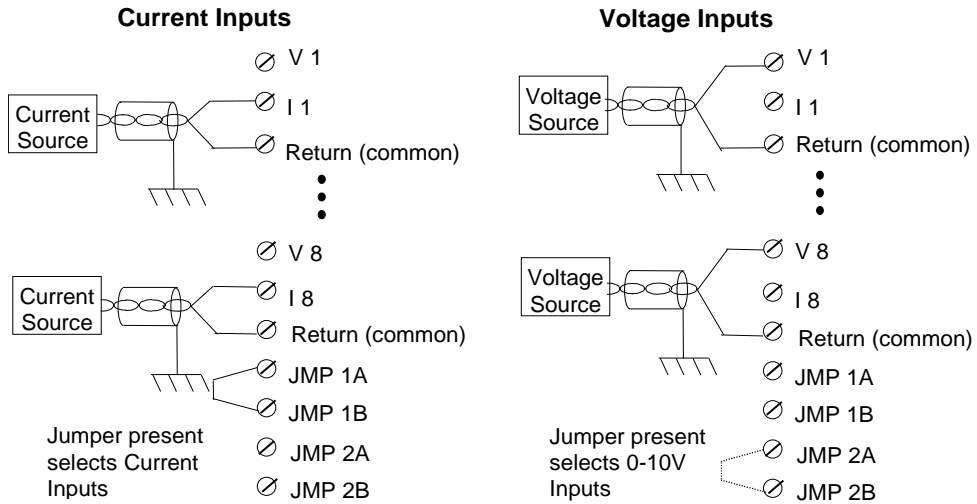
**IC200ALG260**  
**Analog Input Module, 12 Bit Voltage/Current 8 Channels**

**Jumper Selections**

Jumpers on JMP 1 and JMP 2 select voltage or current operation and voltage range. In current mode, JMP2 is ignored.

Jumper	Range
None	±10V
1	4-20mA
2	0-10V
1 & 2	Not recommended

**Wiring Examples**



An external source must be provided to power input transceivers.

*Cable Shield Connections*

If possible, the cable should be grounded at the source device. If that is not possible, the cable shield must be grounded at the source device. If that is not possible, the cable shield must be grounded at the I/O module. This can be done using an Auxiliary I/O Terminal (IC200TBM001, 002, or 005).

If the module is installed on a Terminal-style I/O Carrier (IC200CHS001, 002, or 005), shield connections can be made on an Auxiliary I/O Terminal that is attached to the I/O carrier.

If the module is installed on a Compact Terminal-style I/O Carrier (IC200CHS022, 025), shield connections can be made on an Auxiliary I/O Terminal that is mounted near the I/O carrier. Be sure to ground the Auxiliary I/O Terminal Strip if you plan to use it for this purpose.

If the module is installed on a Connector-style I/O Carrier (IC200CHS003), the cable shield can be connected directly to an Interposing Terminal (IC200CHS011, 012, 015). Be sure to ground the Interposing Terminal. It is recommended to use a shielded interposing cable as well between the Interposing Terminal and the Connector Base. A custom shielded cable can be made using the Connector kit (IC200ACC304). In addition, a custom shield braid can be wrapped around standard Interposing Cables (IC200CBL105, 110, 120, 230). If this approach is used be sure to ground the braid.

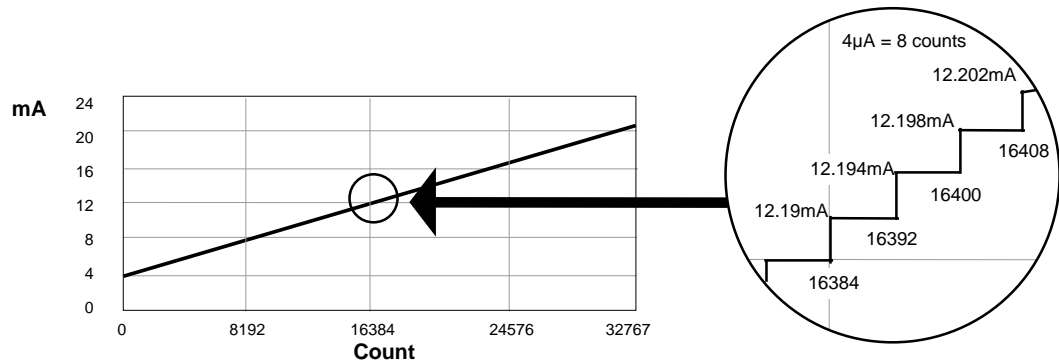


**IC200ALG260**  
**Analog Input Module, 12 Bit Voltage/Current 8 Channels**

**Scaling**

The following graphs illustrate the relationship between the input voltage or current measured at the field terminals and the data that is output by the module.

**Count and Input Current**



The following equation can be used to calculate counts values:

$$\text{Counts} = (\text{Current in mA} - 4\text{mA}) \times (32767 / 16.35\text{mA})$$

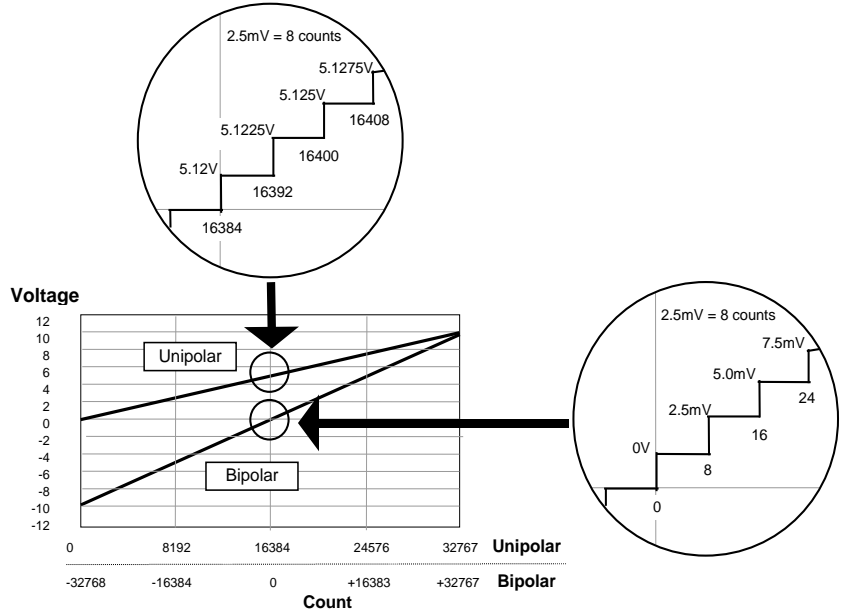
For a change in the reported count value to be seen, input current must be increased by at least 4µA. If the module receives an increase less than 2.5mV, the previous count value is still reported. For example:

Current	Count
12.190mA	16384
12.192mA	16384
12.194mA	16392

**IC200ALG260**

**Analog Input Module, 12 Bit Voltage/Current 8 Channels**

**Count and Input Voltage**



The following equations can be used to calculate counts values:

Bipolar voltage:      Counts = ( ±Voltage In) x (3200)

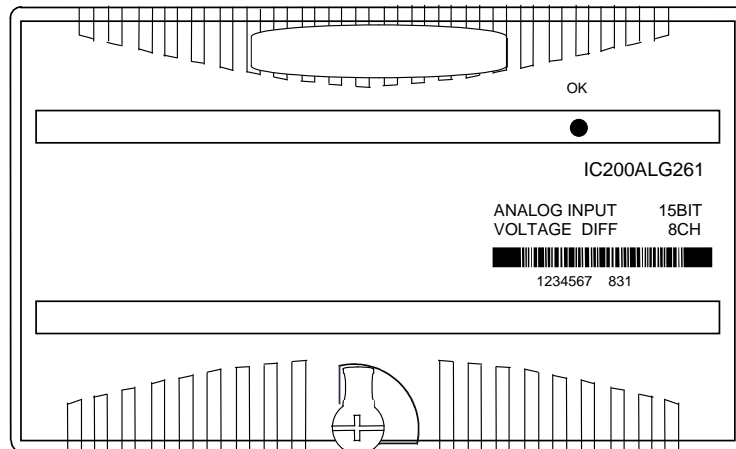
Unipolar voltage:      Counts = ( +Voltage In) x (3200)

For a change in the reported count value to be seen, input voltage must be increased by at least 2.5mV. If the module receives an increase less than 2.5mV, the previous count value is still reported. For example:

Voltage	Count
5.1200V	16384
5.1220V	16384
5.1225V	16392

### **IC200ALG261** **Analog Input Module, 15 Bit Differential Voltage 8 Channels**

Analog input module IC200ALG261 provides an interface to 8 differential voltage inputs.



The module receives power from the backplane power supply. No external power source is required for module operation. Power for the user's transceivers must be supplied from an external source.

Intelligent processing for this module is performed by the CPU or NIU. The module provides 8 words of analog input data.

#### ***LED Indicators***

The green OK LED is ON when backplane power is present, internally generated field power is functioning properly, the module has been configured, and the module has been recognized on the backplane.

#### ***Diagnostics***

The module reports a Loss of Internal Power fault for field-side circuits.

#### ***Configuration Parameters***

None

**IC200ALG261**

**Analog Input Module, 15 Bit Differential Voltage 8 Channels**

**Module Specifications**

<b>Module Characteristics</b>										
Channels		8 differential, one group								
Module ID		FFFFB008								
Isolation:		250 V AC continuous; 1500 V AC for 1 minute								
User input to logic (optical) and to frame ground										
Group to group		Not applicable								
Channel to channel		None								
LED indicators		OK LED indicates backplane power is present								
Backplane current consumption		5V output: 200mA maximum								
External power supply		None								
Thermal derating		None								
Configuration parameters		None								
Diagnostics		Loss of Internal Power								
<b>Compatibility</b>	<i>PME programming software</i>	<i>CPU 001</i>	<i>CPU 002</i>	<i>CPU 005</i>	<i>CPU E05</i>	<i>DBI 001</i>	<i>EBI 001</i>	<i>GBI 001</i>	<i>PBI 001</i>	
HW, FW vers. FW release	All	CE 2.1	AB 2.1	AA 2.1	AA 2.1	No	AB 1.1	BF 2.2	CF 2.2	
<b>Input Characteristics</b>										
Input Voltage (Differential)		-10 to +10 V								
Input Voltage (Common Mode)		-10 to +10 V								
Input Impedance		100 kΩ minimum								
Accuracy (0V common mode): 25 °C <sup>†</sup> 0 to 60 °C		±0.3% typical of full scale, ±0.5% maximum of full scale ±1% maximum of full scale								
Resolution		0.3125mV = 1 count								
Common mode rejection		70db								
Update rate per module		7.5ms								

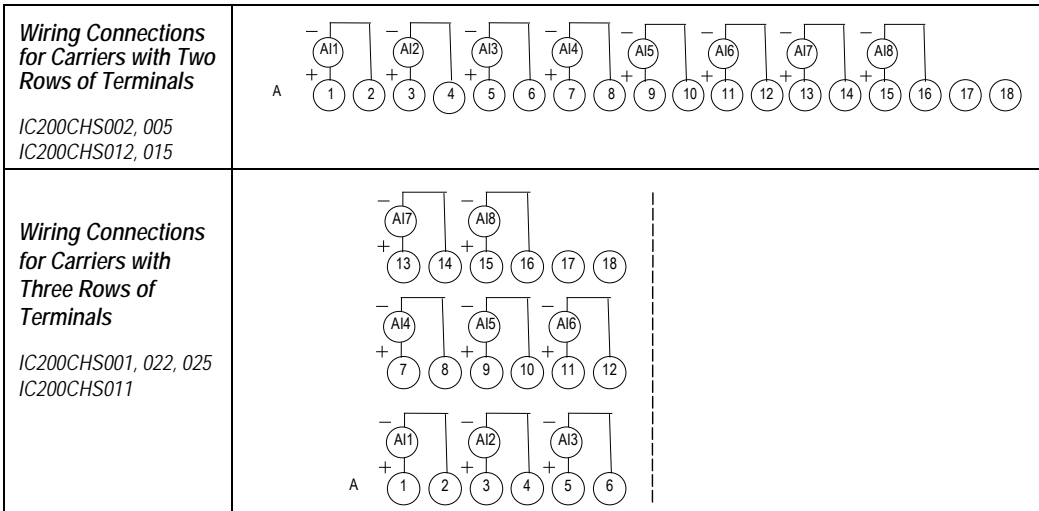
<sup>†</sup> In the presence of severe RF interference, (IEC 1000-4-3, 10V/m), accuracy may be degraded to ±1%. Input accuracy may be degraded an additional ±1% with the introduction of input common mode voltage.

**IC200ALG261**  
**Analog Input Module, 15 Bit Differential Voltage 8 Channels**

**Field Wiring**

Terminal assignments for the module are displayed as follows.

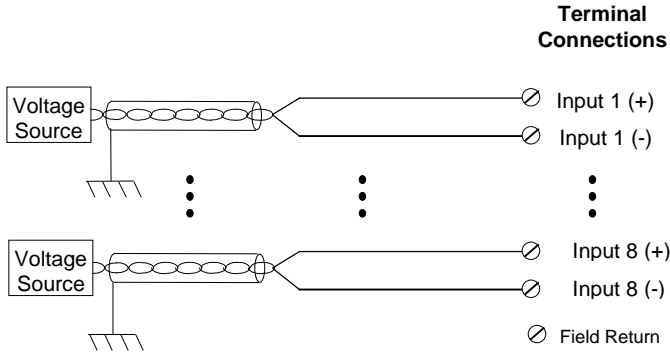
Number	Connection	Number	Connection
A1	Input 1 (+)	B1	No connection
A2	Input 1 (-)	B2	No connection
A3	Input 2 (+)	B3	No connection
A4	Input 2 (-)	B4	No connection
A5	Input 3 (+)	B5	No connection
A6	Input 3 (-)	B6	No connection
A7	Input 4 (+)	B7	No connection
A8	Input 4 (-)	B8	No connection
A9	Input 5 (+)	B9	No connection
A10	Input 5 (-)	B10	No connection
A11	Input 6 (+)	B11	No connection
A12	Input 6 (-)	B12	No connection
A13	Input 7 (+)	B13	No connection
A14	Input 7 (-)	B14	No connection
A15	Input 8 (+)	B15	No connection
A16	Input 8 (-)	B16	No connection
A17	Field Return	B17	No connection
A18	NC	B18	No connection



*IC200ALG261*

*Analog Input Module, 15 Bit Differential Voltage 8 Channels*

*Wiring Examples*



An external source must be provided to power input transceivers.

*Cable Shield Connections*

If possible, the cable should be grounded at the source device. If that is not possible, the cable shield must be grounded at the source device. If that is not possible, the cable shield must be grounded at the I/O module. This can be done using an Auxiliary I/O Terminal (IC200TBM001, 002, or 005).

If the module is installed on a Terminal-style I/O Carrier (IC200CHS001, 002, or 005), shield connections can be made on an Auxiliary I/O Terminal that is attached to the I/O carrier.

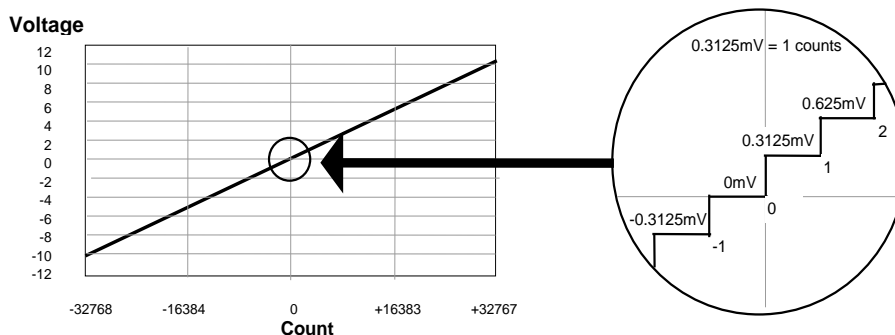
If the module is installed on a Compact Terminal-style I/O Carrier (IC200CHS022, 025), shield connections can be made on an Auxiliary I/O Terminal that is mounted near the I/O carrier. Be sure to ground the Auxiliary I/O Terminal Strip if you plan to use it for this purpose.

If the module is installed on a Connector-style I/O Carrier (IC200CHS003), the cable shield can be connected directly to an Interposing Terminal (IC200CHS011, 012, 015). Be sure to ground the Interposing Terminal. It is recommended to use a shielded interposing cable as well between the Interposing Terminal and the Connector Base. A custom shielded cable can be made using the Connector kit (IC200ACC304). In addition, a custom shield braid can be wrapped around standard Interposing Cables (IC200CBL105, 110, 120, 230). If this approach is used be sure to ground the braid.

**IC200ALG261**  
**Analog Input Module, 15 Bit Differential Voltage 8 Channels**

**Scaling**

The following graphs illustrate the relationship between the input voltage measured at the field terminals and the data that is output by the module.

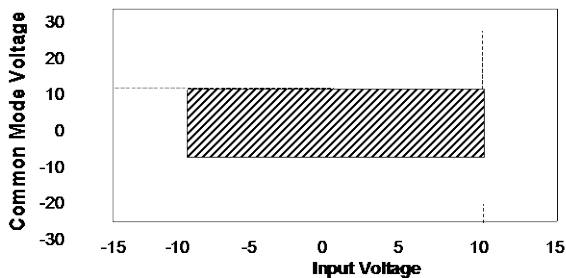


The following equations can be used to calculate count values:

$$\text{Counts} = (\text{Input Voltage}) \times (32000 / 10\text{V})$$

**Operating Range**

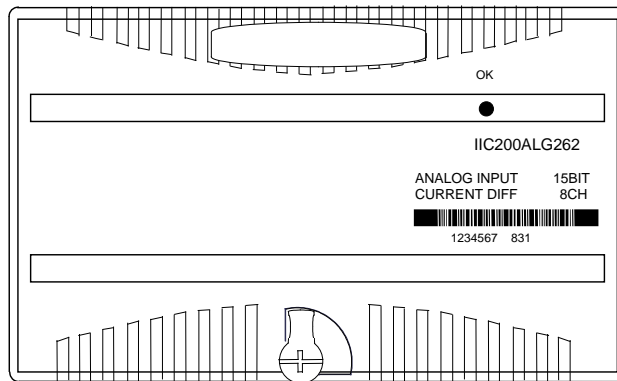
The operating range for the IC200ALG261 module is displayed in the following graph.



**IC200ALG262**

**Analog Input Module, 15 Bit Differential Current 8 Channels**

Analog input module IC200ALG262 provides an interface to 8 current inputs.



The module receives power from the backplane power supply. No external power source is required for module operation. Power for the user's transceivers must be supplied from an external source.

Intelligent processing for this module is performed by the CPU or NIU. The module provides 8 words of analog input data.

### **LED Indicators**

The green OK LED is ON when backplane power is present, internally generated field power is functioning properly, the module has been configured, and the module has been recognized on the backplane.

### **Diagnostics**

The module reports a Loss of Internal Power fault for field-side circuits.

The module reports an Open Wire fault for each channel, when in 4-20mA mode.

### **Configuration Parameters**

A jumper on the carrier terminals can be used to configure 4-20mA or 0-20mA input ranges. With no jumper installed, the module accepts 4-20mA input signals. With a jumper installed, the module accepts 0-20mA input signals.



**IC200ALG262**  
**Analog Input Module, 15 Bit Differential Current 8 Channels**

**Module Specifications**

<b>Module Characteristics</b>									
Channels		8 differential, one group							
Module ID		FFFFB508 (when configured for 4-20mA range) FFFFB408 (when configured for 0-20mA range)							
Isolation:		250 V AC continuous; 1500 V AC for 1 minute							
User input to logic (optical) and to frame ground									
Group to group									
Channel to channel		None							
LED indicators		OK LED indicates backplane power is present							
Backplane current consumption		5V output: 200mA maximum							
External power supply		None							
Thermal derating		None							
Configuration parameters		Range select (jumpers on carrier)							
Diagnostics		Loss of Internal Power, Open wire detection of 4-20mA signals only							
<i>Compatibility</i>	<i>PME programming software</i>	<i>CPU 001</i>	<i>CPU 002</i>	<i>CPU 005</i>	<i>CPU E05</i>	<i>DBI 001</i>	<i>EBI 001</i>	<i>GBI 001</i>	<i>PBI 001</i>
HW, FW vers. FW release	All	CE 2.1	AB 2.1	AA 2.1	AA 2.1	No	AB 1.1	BF 2.2	CF 2.2
<b>Input Characteristics</b>									
Input current		4 to 20mA (default : no terminal jumper installed) 0 to 20mA (with terminal jumper installed)							
Common Mode Range		-10V to +10V							
Common mode rejection		70db							
Input Impedance		100 Ω							
Accuracy (0V Common Mode): 25 °C <sup>†</sup> 0 to 60 °C		±0.3% typical of full scale, ±0.5% maximum of full scale ±1% maximum of full scale							
Resolution		0.5μA = 1 counts (for 4-20mA range) 0.625μA = 1 counts (for 0-20mA range)							
Update rate per module		7.5ms							

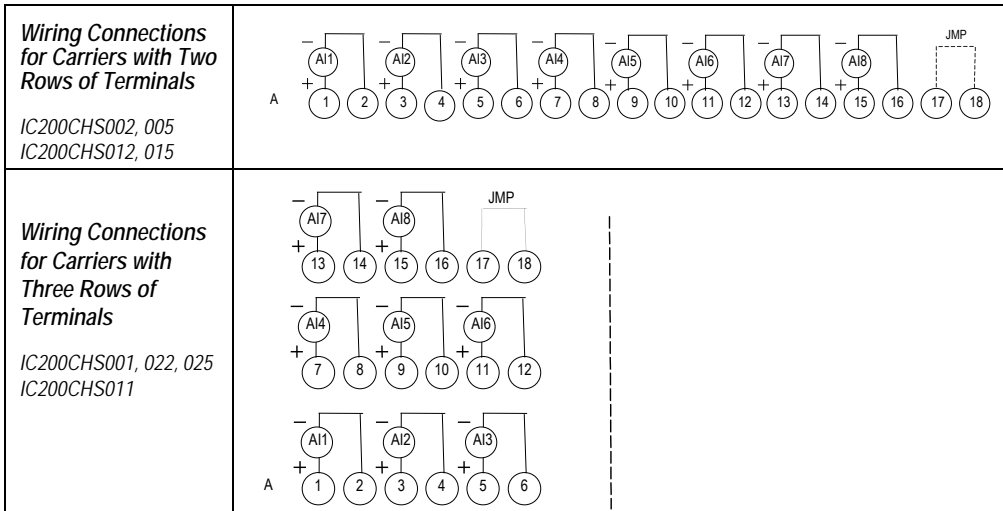
<sup>†</sup> In the presence of severe RF interference, (IEC 1000-4-3, 10V/m), accuracy may be degraded to ±1%. Input accuracy may be degraded an additional ±3% with the introduction of input common mode voltage.

**IC200ALG262**  
**Analog Input Module, 15 Bit Differential Current 8 Channels**

**Field Wiring**

Terminal assignments for the module are displayed as follows.

Number	Connection	Number	Connection
A1	Input 1 (+)	B1	No connection
A2	Input 1 (-)	B2	No connection
A3	Input 2 (+)	B3	No connection
A4	Input 2 (-)	B4	No connection
A5	Input 3 (+)	B5	No connection
A6	Input 3 (-)	B6	No connection
A7	Input 4 (+)	B7	No connection
A8	Input 4 (-)	B8	No connection
A9	Input 5 (+)	B9	No connection
A10	Input 5 (-)	B10	No connection
A11	Input 6 (+)	B11	No connection
A12	Input 6 (-)	B12	No connection
A13	Input 7 (+)	B13	No connection
A14	Input 7 (-)	B14	No connection
A15	Input 8 (+)	B15	No connection
A16	Input 8 (-)	B16	No connection
A17	Field Return	B17	No connection
A18	Jumper	B18	No connection



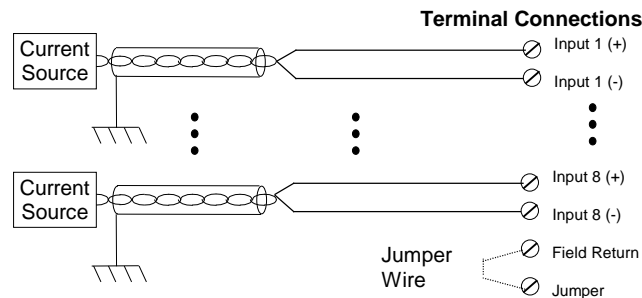
## IC200ALG262 Analog Input Module, 14 Bit Differential Current 8 Channels

### Jumper Selections

A jumper selects the current input range.

Jumper	Range
None	4-20mA
Installed from A18 to A17	0-20mA

### Wiring Examples



An external source must be provided to power input transceivers.

### Cable Shield Connections

If possible, the cable should be grounded at the source device. If that is not possible, the cable shield must be grounded at the source device. If that is not possible, the cable shield must be grounded at the I/O module. This can be done using an Auxiliary I/O Terminal (IC200TBM001, 002, or 005).

If the module is installed on a Terminal-style I/O Carrier (IC200CHS001, 002, or 005), shield connections can be made on an Auxiliary I/O Terminal that is attached to the I/O carrier.

If the module is installed on a Compact Terminal-style I/O Carrier (IC200CHS022, 025), shield connections can be made on an Auxiliary I/O Terminal that is mounted near the I/O carrier. Be sure to ground the Auxiliary I/O Terminal Strip if you plan to use it for this purpose.

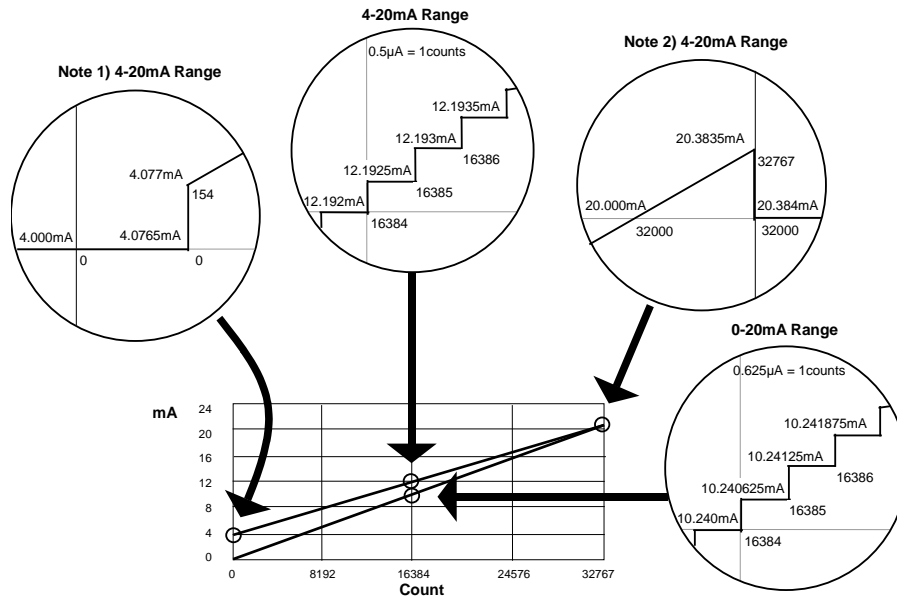
If the module is installed on a Connector-style I/O Carrier (IC200CHS003), the cable shield can be connected directly to an Interposing Terminal (IC200CHS011, 012, 015). Be sure to ground the Interposing Terminal. It is recommended to use a shielded interposing cable as well between the Interposing Terminal and the Connector Base. A custom shielded cable can be made using the Connector kit (IC200ACC304). In addition, a custom shield braid can be wrapped around standard Interposing Cables (IC200CBL105, 110, 120, 230). If this approach is used be sure to ground the braid.

*IC200ALG262*

*Analog Input Module, 15 Bit Differential Current 8 Channels*

**Scaling**

The following figure illustrates the relationship between the input current measured at the field terminals and the data that is output by the module.



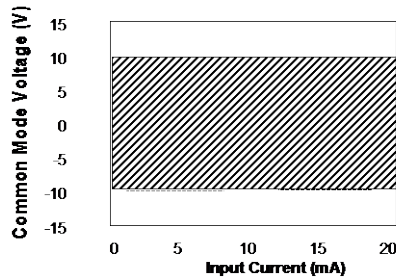
The following equations can be used to calculate count values:

4-20mA Range:      Counts = (Current in mA - 4mA) x (32000 / 16mA)  
 0-20mA Range:      Counts = (Current in mA) x (32000 / 20mA)

**Note 1:** In 4-20mA mode, signal inputs below 4.077mA are converted to zero counts.

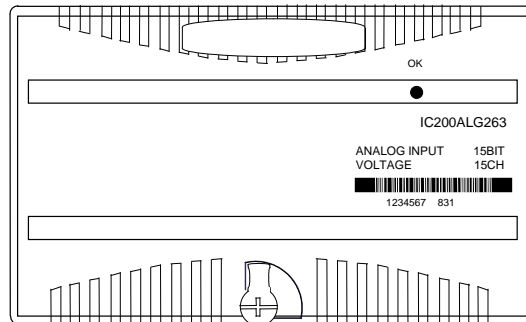
**Note 2:** In 4-20mA mode, signal inputs at 20.000mA or above 20.383mA are converted to 32000 counts.

**Operating Range**



**IC200ALG263, IC200ALG265**  
**Analog Input Module, 15 Bit Voltage 15 Channels**

Analog input module IC200ALG263 / IC200ALG265 provides an interface to 15 voltage inputs. The inputs are single-ended, with all inputs sharing a common return. Module IC200ALG265 is rated for use in SIL2 applications.



The module receives power from the backplane power supply. No external power source is required for module operation. Power for the user's transceivers must be supplied from an external source.

Intelligent processing for this module is performed by the CPU or NIU. The module provides 15 words of analog input data.

### **LED Indicators**

The green OK LED is ON when backplane power is present, internally generated field power is functioning properly, the module has been configured, the module has been recognized on the backplane, and all diagnostic tests are executing as expected.

### **Diagnostics**

The module reports a Loss of Internal Power fault for field-side circuits.

The module reports an Internal Hardware fault upon detection of an A/D conversion malfunction. The module detects this malfunction by applying a known stimulus to the A/D conversion path and verifying the expected result. If an unexpected result occurs three times consecutively, the module stops scanning, turns off the OK LED, and reports an Internal Hardware fault. The module must be power cycled or replaced to clear this fault.

### **Configuration Parameters**

The analog inputs are software-configurable to either default or hold last state upon loss of module.

**IC200ALG263, IC200ALG265**  
**Analog Input Module, 15 Bit Voltage 15 Channels**

**Module Specifications**

<b>Module Characteristics</b>									
Channels	15 single ended, one group								
Module ID	FFFFB00F								
Isolation: User input to logic (optical) and to frame ground	250 V AC continuous; 1500 V AC for 1 minute								
Group to group	Not applicable								
Channel to channel	None								
LED indicators	OK LED. See "LED Indicators" for description.								
Backplane current consumption	IC200ALG263: 5V = 150mA maximum IC200ALG265: 5V = 150mA, _3.3V = 50mA maximum								
External power supply	None								
Thermal derating	None								
Configuration parameters	None								
Diagnostics	Loss of Internal Power A/D conversion malfunction greater than 6% of full scale								
<i>Compatibility</i>	<i>PME programming software</i>	<i>CPU 001</i>	<i>CPU 002</i>	<i>CPU 005</i>	<i>CPU E05</i>	<i>DBI 001</i>	<i>EBI 001</i>	<i>GBI 001</i>	<i>PBI 001</i>
HW, FW vers. FW release	All	CE 2.1	AB 2.1	AA 2.1	AA 2.1	No	AB 1.1	BF 2.2	CF 2.2
<b>Input Characteristics</b>									
Input voltage	-10V to +10V								
Input fault withstand	IC200ALG263: ±10V; IC200ALG265: ±30V								
Input Impedance	100K Ω minimum								
Accuracy at: 25 °C† 0 to 60 °C	±0.3% typical of full scale, ±0.5% maximum of full scale ±1% maximum of full scale								
Resolution	± 15 bits 0.3125mV = 1 count								
Filter response (3dB Corner Freq)	32 Hz ±20%								
Update rate per module	7.5ms								

† In the presence of severe RF interference, (IEC 1000-4-3, 10V/m), accuracy may be degraded to ±2%.

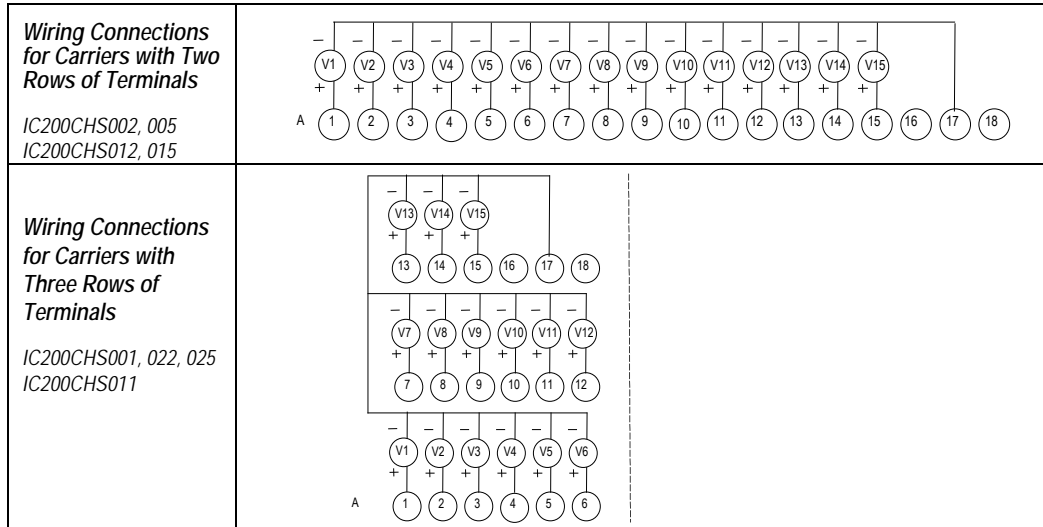
**IC200ALG263, IC200ALG265**  
**Analog Input Module, 15 Bit Voltage 15 Channels**

**Field Wiring**

Terminal assignments for the module are displayed as follows.

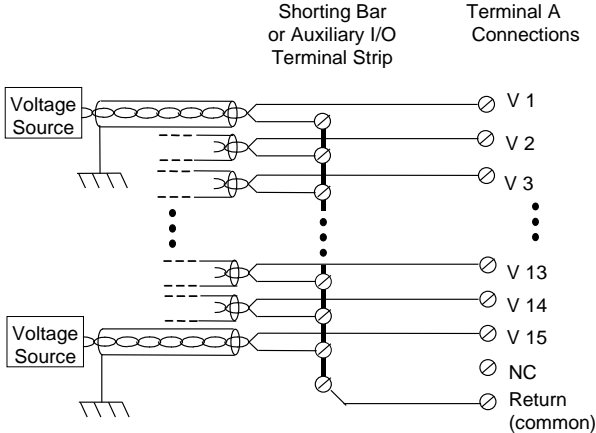
Number	Connection	Number	Connection
A1	V1	B1	No connection
A2	V2	B2	No connection
A3	V3	B3	No connection
A4	V4	B4	No connection
A5	V5	B5	No connection
A6	V6	B6	No connection
A7	V7	B7	No connection
A8	V8	B8	No connection
A9	V9	B9	No connection
A10	V10	B10	No connection
A11	V11	B11	No connection
A12	V12	B12	No connection
A13	V13	B13	No connection
A14	V14	B14	No connection
A15	V15	B15	No connection
A16	NC	B16	No connection
A17	Return (common)	B17	No connection
A18	NC	B18	No connection

Note: All inputs are single-ended, and share a common return.



*IC200ALG263, IC200ALG265*  
**Analog Input Module, 15 Bit Voltage 15 Channels**

**Wiring Examples**



An optional Shorting Bar or Auxiliary I/O Terminal Strip can be used for wiring convenience when multiple Return paths need to be wired together. An external source must be provided to power input transceivers.

**Cable Shield Connections**

If possible, the cable should be grounded at the source device. If that is not possible, the cable shield must be grounded at the source device. If that is not possible, the cable shield must be grounded at the I/O module. This can be done using an Auxiliary I/O Terminal (IC200TBM001, 002, or 005).

If the module is installed on a Terminal-style I/O Carrier (IC200CHS001, 002, or 005), shield connections can be made on an Auxiliary I/O Terminal that is attached to the I/O carrier.

If the module is installed on a Compact Terminal-style I/O Carrier (IC200CHS022, 025), shield connections can be made on an Auxiliary I/O Terminal that is mounted near the I/O carrier. Be sure to ground the Auxiliary I/O Terminal Strip if you plan to use it for this purpose.

If the module is installed on a Connector-style I/O Carrier (IC200CHS003), the cable shield can be connected directly to an Interposing Terminal (IC200CHS011, 012, 015). Be sure to ground the Interposing Terminal. It is recommended to use a shielded interposing cable as well between the Interposing Terminal and the Connector Base. A custom shielded cable can be made using the Connector kit (IC200ACC304). In addition, a custom shield braid can be wrapped around standard Interposing Cables (IC200CBL105, 110, 120, 230). If this approach is used be sure to ground the braid.

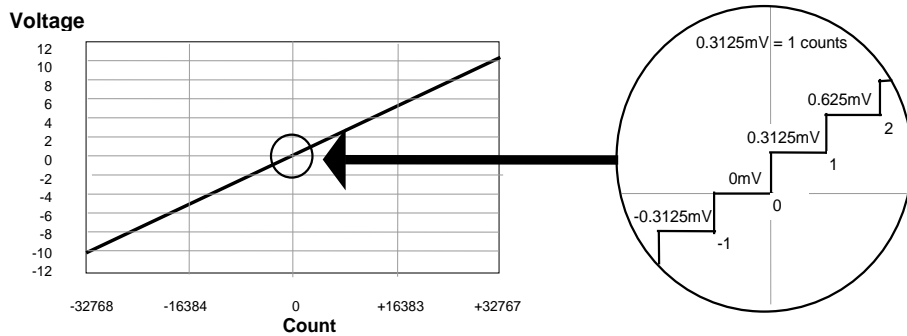


**IC200ALG263, IC200ALG265  
Analog Input Module, 15 Bit Voltage 15 Channels**

**Scaling**

The following graphs illustrate the relationship between the input voltage measured at the field terminals and the data that is output by the module.

**Count and Input Voltage**

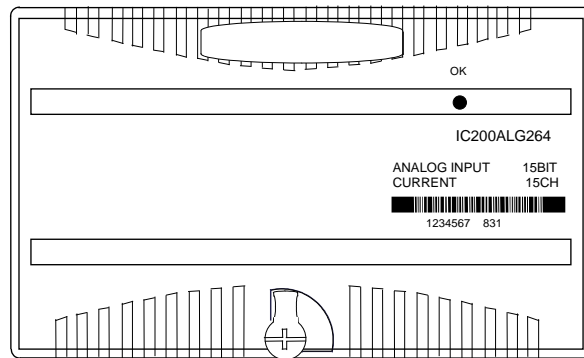


The following equation can be used to calculate count values:

$$\text{Counts} = (\text{Input Voltage}) \times (32000 / 10V)$$

*IC200ALG264, IC200ALG266*  
*Analog Input Module, 15 Bit Current 15 Channels*

Analog input module IC200ALG264 / IC200ALG266 provides an interface to 15 current inputs. The inputs are single-ended, with all inputs sharing a common return. Module IC200ALG266 is rated for use in SIL2 applications.



The module receives power from the backplane power supply. No external power source is required for module operation. Power for the user's transceivers must be supplied from an external source.

Intelligent processing for this module is performed by the CPU or NIU. The module provides 15 words of analog input data.

Module ALG266 contains active circuitry to protect the input sense resistors. If an input is accidentally connected to +24V field power, the module clamps input current at 40mA maximum to prevent damage from excessive power.

Additional protection for the sense resistors is provided by opening the input loop while the ALG266 module is powered off. That means when the module is powered off, any connected external transmitters that perform open wire fault detection will see the open input loop as an open wire fault, and any external receivers connected in series with the module will not receive a valid signal. Both should be considered when planning the application.

### *LED Indicators*

The green OK LED is ON when backplane power is present, internally generated field power is functioning properly, the module has been configured, and the module has been recognized on the backplane.

### *Diagnostics*

The module reports a Loss of Internal Power fault for field-side circuits.

The module reports an Open Wire fault for each channel, when in 4-20mA mode.

Module IC200ALG266 reports an Internal Hardware fault upon detection of an A/D conversion malfunction. The module detects this malfunction by applying a known stimulus to the A/D conversion path and verifying the expected result. If an unexpected result occurs three times consecutively, the module stops scanning, turns off the OK LED, and reports an Internal Hardware fault. The module must be power cycled or replaced to clear this fault.

**IC200ALG264, IC200ALG266: Analog Input Module, 15 Bit Current 15 Channels**

**Configuration Parameters**

A jumper on the carrier terminals can be used to configure 4-20mA or 0-20mA input ranges. With no jumper installed, the module accepts 4-20mA input signals. With a jumper installed, the module accepts 0-20mA input signals.

The analog inputs are software-configurable to either default or hold last state upon loss of module.

**Module Specifications**

<b>Module Characteristics</b>										
Channels		15 single ended, one group								
Module ID		FFFFB50F (when cfg for 4-20mA range) FFFFB40F (when cfg for 0-20mA range)								
Isolation:		250 V AC continuous; 1500 V AC for 1 minute								
User input to logic (optical) and to frame ground		Not applicable								
Group to group		None								
Channel to channel		None								
LED indicators		OK LED. See "LED Indicators" for description.								
Backplane current consumption		IC200ALG264: 5V = 100mA maximum IC200ALG266: 5V = 100mA, +3.3V = 50mA maximum								
External power supply		None								
Thermal derating		None								
Configuration parameters		Range select (jumpers on carrier)								
Diagnostics		Loss of Internal Power, Open wire detection of 4-20mA signals only. Module IC200ALG266 only: A/D conversion malfunction greater than 6% full scale.								
<i>Compatibility</i>	<i>PME programming software</i>	<i>CPU 001</i>	<i>CPU 002</i>	<i>CPU 005</i>	<i>CPU E05</i>	<i>DBI 001</i>	<i>EBI 001</i>	<i>GBI 001</i>	<i>PBI 001</i>	
HW, FW version FW release	All	CE 2.1	AB 2.1	AA 2.1	AA 2.1	No	AB 1.1	BF 2.2	CF 2.2	
<b>Input Characteristics</b>										
Input current		4 to 20mA (default : no terminal jumper installed) 0 to 20mA (with terminal jumper installed)								
Input Fault Withstand		IC200ALG264: +3V; IC200ALG266: +30V								
Input Impedance		100 Ω								
Accuracy at: 25 °C <sup>†</sup> 0 to 60 °C		±0.3% typical of full scale, ±0.5% maximum of full scale ±1% maximum of full scale								
Resolution		15 bits 0.5µA = 1 counts (for 4-20mA range) 0.625µA = 1 counts (for 0-20mA range)								
Filter response (3dB Corner Freq)		24 Hz ±0%								
Update rate per module		7.5ms								

<sup>†</sup>In the presence of severe RF interference, (IEC 1000-4-3, 10V/m), accuracy may be degraded to ±2%.

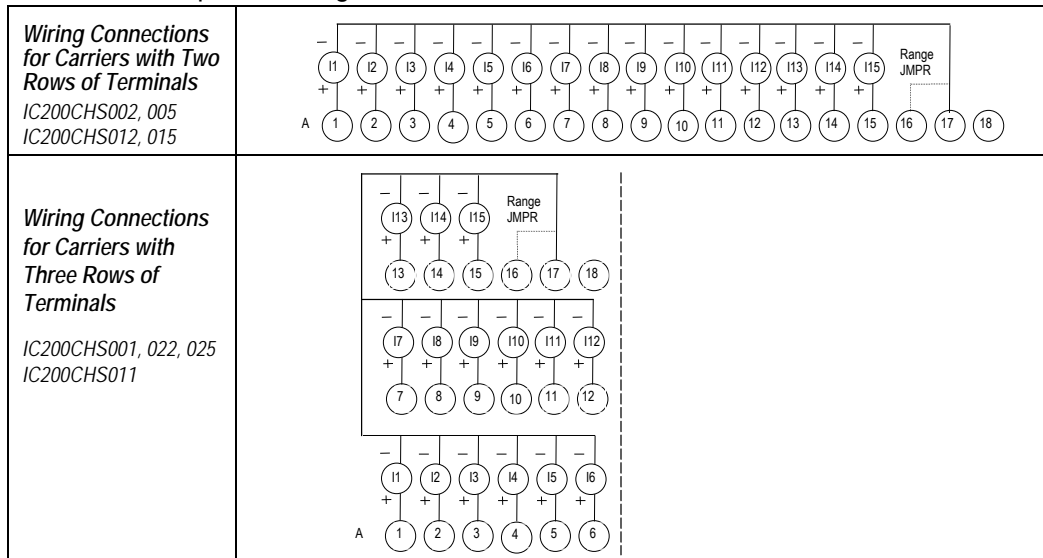
**IC200ALG264, IC200ALG266**  
**Analog Input Module, 15 Bit Current 15 Channels**

**Field Wiring**

Terminal assignments for the module are displayed as follows.

Number	Connection	Number	Connection
A1	I1	B1	No connection
A2	I2	B2	No connection
A3	I3	B3	No connection
A4	I4	B4	No connection
A5	I5	B5	No connection
A6	I6	B6	No connection
A7	I7	B7	No connection
A8	I8	B8	No connection
A9	I9	B9	No connection
A10	I10	B10	No connection
A11	I11	B11	No connection
A12	I12	B12	No connection
A13	I13	B13	No connection
A14	I14	B14	No connection
A15	I15	B15	No connection
A16	Range JMPR	B16	No connection
A17	Return (common)	B17	No connection
A18	NC	B18	No connection

Note: All inputs are single-ended, and share a common return.



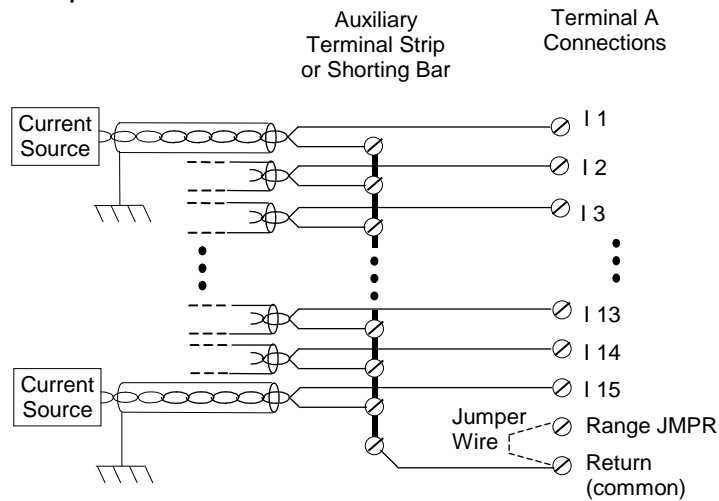
**IC200ALG264, IC200ALG266  
Analog Input Module, 15 Bit Current 15 Channels**

*Jumper Selections*

A jumper selects the current input range.

Jumper	Range
None	4-20mA
Installed from A16 to A17	0-20mA

*Wiring Examples*



An optional Auxiliary I/O Terminal Strip or Shorting Bar can be used for wiring convenience, when multiple Return paths need to be wired together. An external source must be provided to power input transceivers.

### *Cable Shield Connections*

If possible, the cable should be grounded at the source device. If that is not possible, the cable shield must be grounded at the source device. If that is not possible, the cable shield must be grounded at the I/O module. This can be done using an Auxiliary I/O Terminal (IC200TBM001, 002, or 005).

If the module is installed on a Terminal-style I/O Carrier (IC200CHS001, 002, or 005), shield connections can be made on an Auxiliary I/O Terminal that is attached to the I/O carrier.

If the module is installed on a Compact Terminal-style I/O Carrier (IC200CHS022, 025), shield connections can be made on an Auxiliary I/O Terminal that is mounted near the I/O carrier. Be sure to ground the Auxiliary I/O Terminal Strip if you plan to use it for this purpose.

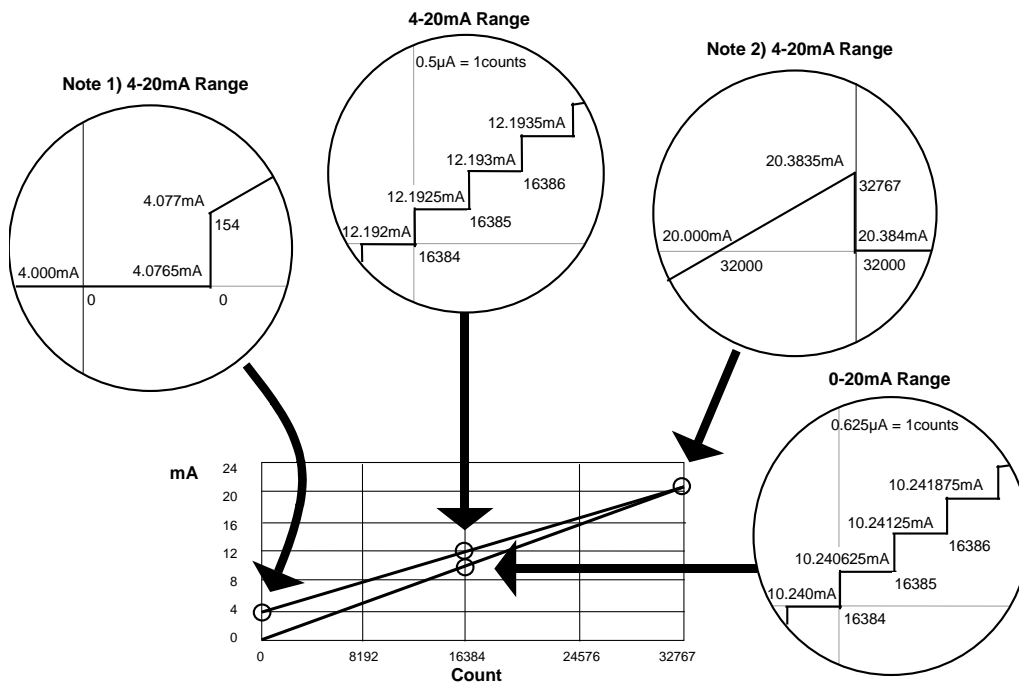
If the module is installed on a Connector-style I/O Carrier (IC200CHS003), the cable shield can be connected directly to an Interposing Terminal (IC200CHS011, 012, 015). Be sure to ground the Interposing Terminal. It is recommended to use a shielded interposing cable as well between the Interposing Terminal and the Connector Base. A custom shielded cable can be made using the Connector kit (IC200ACC304). In addition, a custom shield braid can be wrapped around standard Interposing Cables (IC200CBL105, 110, 120, 230). If this approach is used be sure to ground the braid.

**IC200ALG264, IC200ALG266  
Analog Input Module, 15 Bit Current 15 Channels**

**Scaling**

The following graphs illustrate the relationship between the input current measured at the field terminals and the data that is output by the module.

**Count and 4-20mA Input Current**



The following equations can be used to calculate count values:

4-20mA Range:      Counts = (Current in mA - 4mA) x (32000 / 16mA)

0-20mA Range:      Counts = (Current in mA ) x (32000 / 20mA)

**Note 1:** In 4-20mA mode, signal inputs below 4.077mA are converted to zero counts.

**Note 2:** In 4-20mA mode, signal inputs at 20.000mA or above 20.383mA are converted to 32000 counts



# Chapter 11

## Analog Output Modules

---

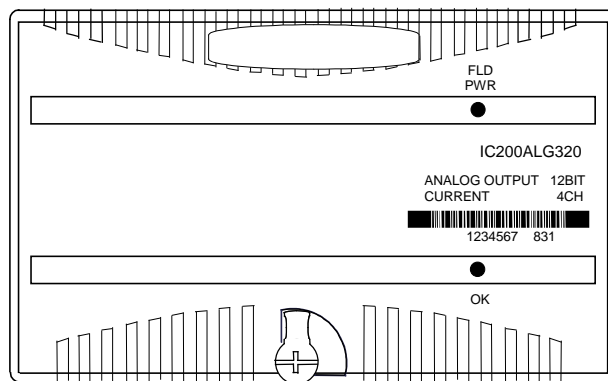
---

This chapter describes VersaMax analog output modules.

- IC200ALG320 Analog Output Module, 12 Bit Current, 4 Channels
- IC200ALG321 Analog Output Module, 12 Bit Voltage  
0 to 10 V DC 4 Channels
- IC200ALG322 Analog Output Module, 12 Bit Voltage  
-10 to +10 V DC 4 Channels
- IC200ALG325 Analog Output Module, 13 Bit Voltage 8 Channels
- IC200ALG326 Analog Output Module, 13 Bit Current, 8 Channels
- IC200ALG327 Analog Output Module, 13 Bit Voltage, 12 Channels
- IC200ALG328 Analog Output Module, 13 Bit Current, 12 Channels
- IC200ALG331 Analog Output Module, 16 Bit Voltage/Current,  
1500 V AC Isolation, 4 Channels

### *IC200ALG320 Analog Output Module, 12 Bit Current, 4 Channels*

Analog output module IC200ALG320 provides four 4mA to 20mA analog current-sourcing outputs. Including a modest amount of overrange current, approximately 20.38mA of output current per channel is available to drive output loads.



An external source of DC power is required for the outputs.

Intelligent processing for this module is performed by the CPU or NIU. The module receives 4 words of analog output data.

#### ***LED Indicators***

The green FLD PWR LED indicates the presence of user-side power for the analog field-side circuits.

The green OK LED is ON when backplane power is present to the module.

#### ***Diagnostics***

The module reports a Loss of User Side Power fault for field-side circuits.

#### ***Configuration Parameters***

The module is easily set up with a jumper for the outputs to either hold their last states or default to 4mA if backplane power or communications are interrupted or the PLC is stopped. External user power must remain uninterrupted.

Outputs remain in their default or last state until the module receives different output data from the backplane, or until field power is removed.

**IC200ALG320**  
**Analog Output Module, 12 Bit Current, 4 Channels**

**Module Specifications**

<b>Module Characteristics</b>									
Channels		4 single-ended, one group							
Module ID		FFFF9440							
Isolation:		250 V AC continuous; 1500 V AC for 1 minute							
User input to logic (optical) and to frame ground		250 V AC continuous; 1500 V AC for 1 minute							
Group to group		Not applicable							
Channel to channel		None							
LED indicators		FLD PWR LED indicates field power is present OK LED indicates backplane power is present							
Backplane current consumption		5V output: 50mA maximum							
Thermal derating		Refer to associated diagram							
Configuration parameter		Output default							
Diagnostics		Loss of User Side Power							
<i>Compatibility</i>	<i>PME programming software</i>	<i>CPU 001</i>	<i>CPU 002</i>	<i>CPU 005</i>	<i>CPU E05</i>	<i>DBI 001</i>	<i>EBI 001</i>	<i>GBI 001</i>	<i>PBI 001</i>
<i>HW, FW vers. FW release</i>	All	AA 1.0	AA 1.5	AA 2.1	AA 2.1	AA 1.1	AA 1.0	AA 1.0	AA 1.0
<b>External Power Supply</b>									
Recommended range		+18 to +30 V DC (including ripple)							
Current consumption at recommended range		160mA max (including load current)							
12V operation range		9.6 to 15 V DC, 12 V DC nominal (including ripple)							
Current consumption at 12V range		240mA max (including load current)							
<b>Output Characteristics</b>									
Output current		4 to 20mA							
Load characteristics:		0 to 1250 Ω maximum <sup>††</sup>							
Resistive		0 to 1250 Ω maximum <sup>††</sup>							
Capacitive		0.1μF maximum							
Inductive		0.5H maximum							
Accuracy at 25 °C <sup>†</sup>		± 0.3% typical of full scale, ± 0.5% max. of full scale							
Accuracy at 0 to 60 °C		±1% maximum of full scale							
Resolution		4μA = 8 counts							
Update rate per module		0.3ms maximum							
Channel-to-channel crosstalk rejection		70dB minimum							
Output default		Hold Last State (default), 4mA (configurable)							

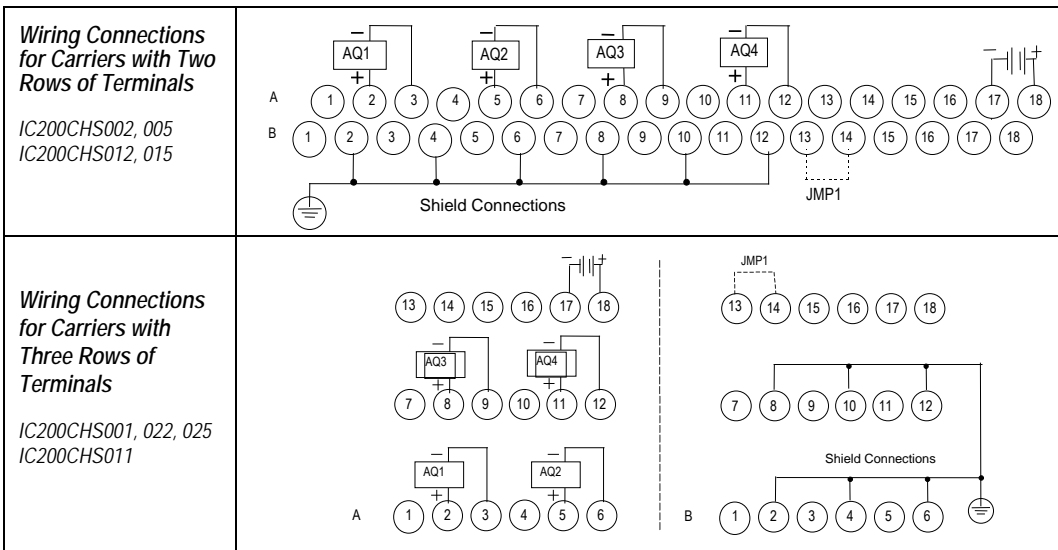
<sup>†</sup> In the presence of severe RF interference, (IEC 1000-4-3, 10V/m), accuracy may be degraded to ±1%.

<sup>††</sup>  $R_{L(MAX)} = (V_{EXTERNAL PS} - 4V) / 20.38mA$

**IC200ALG320**  
**Analog Output Module, 12 Bit Current, 4 Channels**

*Field Wiring*

Terminal	Connection	Terminal	Connection
A1	No connection	B1	No connection
A2	I OUT 1	B2	Shield Termination Point
A3	RET 1	B3	No connection
A4	No connection	B4	Shield Termination Point
A5	I OUT 2	B5	No connection
A6	RET 2	B6	Shield Termination Point
A7	No connection	B7	No connection
A8	I OUT 3	B8	Shield Termination Point
A9	RET 3	B9	No connection
A10	No connection	B10	Shield Termination Point
A11	I OUT 4	B11	No connection
A12	RET 4	B12	Shield Termination Point
A13	No connection	B13	JMP 1A
A14	No connection	B14	JMP 1B
A15	No connection	B15	No connection
A16	No connection	B16	No connection
A17	DC-	B17	No connection
A18	DC+	B18	No connection



*IC200ALG320*

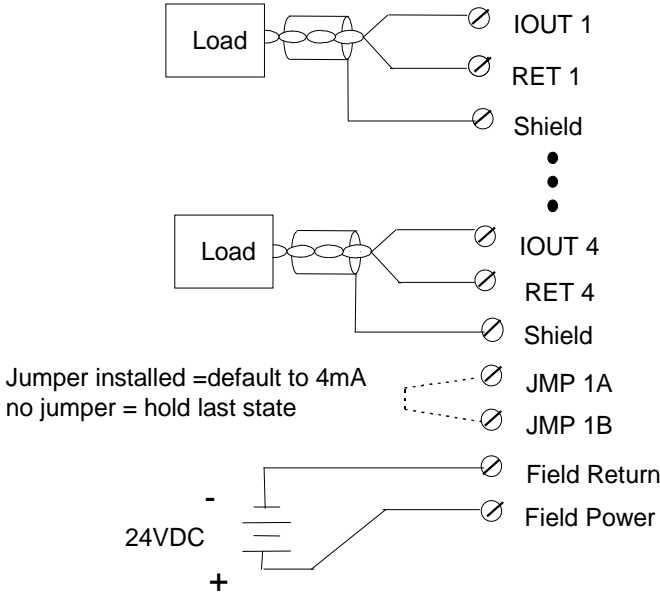
*Analog Output Module, 12 Bit Current, 4 Channels*

**Jumper Selection**

If no jumper is installed outputs hold their last state (the last commanded value from the backplane) if backplane power or communications are interrupted or the PLC is stopped. With a jumper installed, if such conditions occur outputs default to 4mA. This should only be changed with field power and backplane power removed.

Jumper	Default
None	Hold Last State
JMP 1	4mA

**Wiring Example**



---

**IC200ALG320**  
**Analog Output Module, 12 Bit Current, 4 Channels*****Cable Shield Connections***

Shielded twisted pair cable is recommended for all of the analog channel connections.

If the module is installed on a Terminal-style I/O Carrier (IC200CHS001, 002, or 005) or a Compact Terminal-style I/O Carrier (IC200CHS022, 025), the cable shield can be connected directly to the carrier per the Field Wiring Table. An Auxiliary I/O Terminal Strip (IC200TBM001, 002, or 005) can also be added to the Terminal-style I/O Carriers to aid in grounding shields. Be sure to ground the Auxiliary I/O Terminal Strip as well if you plan to use it for this purpose.

If the module is installed on a Connector-style I/O Carrier (IC200CHS003), the cable shield can be connected directly to an Interposing Terminal (IC200CHS011, 012, 015). Be sure to ground the Interposing Terminal. It is recommended to use a shielded interposing cable as well between the Interposing Terminal and the Connector Base. A custom shielded cable can be made using the Connector kit (IC200ACC304). In addition, a custom shield braid can be wrapped around standard Interposing Cables (IC200CBL105, 110, 120, 230). If this approach is used be sure to ground the braid.

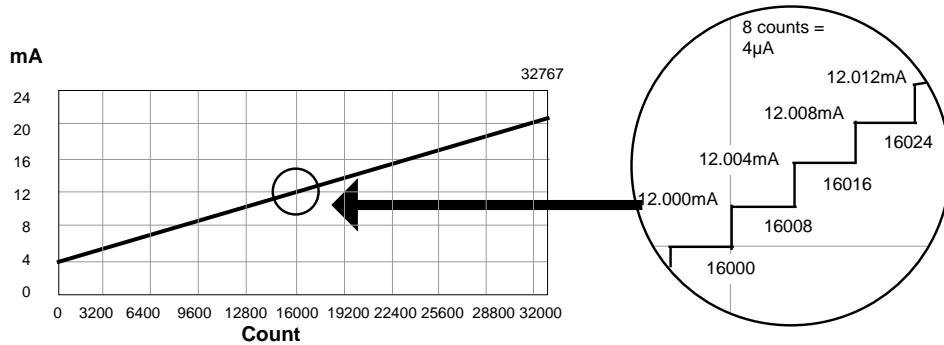
All cable shield connections should be connected to earth ground and be kept as short as practical. The power cable does not need to be shielded.

**IC200ALG320**  
**Analog Output Module, 12 Bit Current, 4 Channels**

**Scaling**

The following graph illustrates the relationship between the output data that is provided to the module from the backplane, and the actual output current. The range spans between 4mA and 20mA.

**Count vs Output Current**



The following equation can be used to calculate specific output currents:

$$I_{out} = 4mA + (count/32760) \times 16.38mA$$

The count value must be a multiple of 8. If the module receives a count value that is not a multiple of 8, it rounds the value down to the closest multiple of 8. For example:

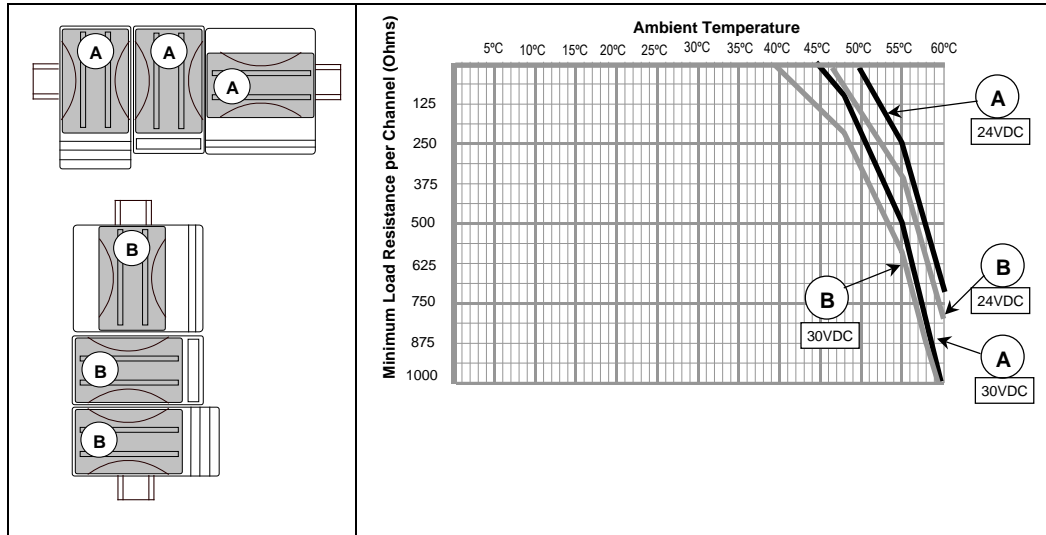
Count	mA
16000	12.000
16007	12.000
16008	12.004

**IC200ALG320**  
**Analog Output Module, 12 Bit Current, 4 Channels**

**Thermal Derating**

The minimum recommended load resistance per channel depends on the ambient temperature, the external voltage, and the orientation of the module and DIN rail. The thermal derating is not affected by the type of carrier on which the module is installed.

The total load requirement includes the impedance of the transducer being driven. At higher ambient temperatures, it may be necessary to add resistance in series with the load to reach the minimum load requirement.

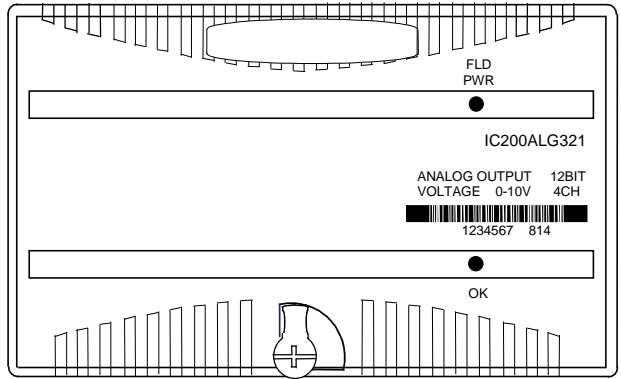




**IC200ALG321**

**Analog Output Module, 12 Bit Voltage 0 to 10 V DC 4 Channels**

Analog output module IC200ALG321 provides four analog voltage outputs. The output range is 0 to +10 V DC



An external 24V power supply is required for the outputs. Intelligent processing for this module is performed by the CPU or Network Interface Unit. The module receives 4 words of analog output data.

**LED Indicators**

The green FLD PWR LED indicates the presence of user-side power for the analog field-side circuits. The green OK LED is ON when backplane power is present to the module.

**Diagnostics**

The module reports a Loss of User Side Power fault for field-side circuits.

**Configuration Parameters**

The module is easily set up with a jumper for the outputs to either hold their last states or default to 0V if backplane power or communications are interrupted or the PLC is stopped. External user power must remain uninterrupted. Outputs remain in their default or last state until the module receives different output data from the backplane, or until field power is removed.

**IC200ALG321**  
**Analog Output Module, 12 Bit Voltage 0 to 10 V DC 4 Channels**

**Module Specifications**

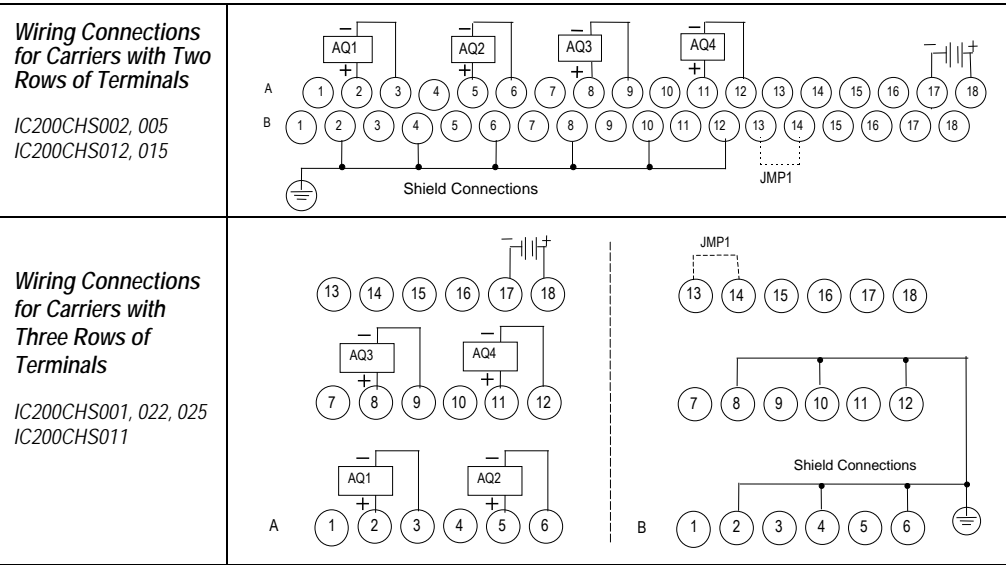
<b>Module Characteristics</b>									
Channels		4 single-ended, one group							
Module ID		FFFF9040							
Isolation:		250 V AC continuous; 1500 V AC for 1 minute							
User input to logic (optical) and to frame ground		Not applicable							
Group to group		None							
Channel to channel									
LED indicators		FLD PWR LED indicates field power is present OK LED indicates backplane power is present							
Backplane current consumption		5V output: 50mA maximum							
Thermal derating		None							
Configuration parameters		Output default							
Diagnostics		Loss of User Side Power							
<i>Compatibility</i>	<i>PME programming software</i>	<i>CPU 001</i>	<i>CPU 002</i>	<i>CPU 005</i>	<i>CPU E05</i>	<i>DBI 001</i>	<i>EBI 001</i>	<i>GBI 001</i>	<i>PBI 001</i>
<i>HW, FW vers. FW release</i>	All	AA 1.0	AA 1.5	AA 2.1	AA 2.1	AA 1.1	AA 1.0	AA 1.0	AA 1.0
<b>External Power Supply</b>									
Recommended range		+18 to +30 V DC (including ripple)							
Current consumption at recommended range		160mA max.(including load current)							
12V operation range		9.6 to 15 V DC, 12 V DC nominal (including ripple)							
Current consumption at 12V range		210mA max.(including load current)							
<b>Output Characteristics</b>									
Output voltage		0 to 10.24 V DC							
Load characteristics:		5000 Ω minimum							
Resistive		1.0μF maximum							
Capacitive									
Accuracy at 25 °C <sup>†</sup>		±0.3% typical of full scale, ±0.5% max of full scale							
Accuracy at 0 to 60 °C		±1% maximum of full scale							
Resolution		2.5mV = 8 counts							
Update rate per module		0.3ms maximum							
Channel-to-channel crosstalk rejection		70dB minimum							
Output default		Hold Last State (default) 0 (configurable)							

<sup>†</sup> In the presence of severe RF interference, (IEC 1000-4-3, 10V/m), accuracy may be degraded to ±1%.

**IC200ALG321**  
**Analog Output Module, 12 Bit Voltage 0 to 10 V DC 4 Channels**

**Field Wiring**

Terminal	Connection	Terminal	Connection
A1	No connection	B1	No connection
A2	V OUT 1	B2	Shield Termination Point
A3	RET 1	B3	No connection
A4	No connection	B4	Shield Termination Point
A5	V OUT 2	B5	No connection
A6	RET 2	B6	Shield Termination Point
A7	No connection	B7	No connection
A8	V OUT 3	B8	Shield Termination Point
A9	RET 3	B9	No connection
A10	No connection	B10	Shield Termination Point
A11	V OUT 4	B11	No connection
A12	RET 4	B12	Shield Termination Point
A13	No connection	B13	JMP1A
A14	No connection	B14	JMP1B
A15	No connection	B15	No connection
A16	No connection	B16	No connection
A17	Field Return	B17	No connection
A18	Field Power	B18	No connection



**IC200ALG321**  
**Analog Output Module, 12 Bit Voltage 0 to 10 V DC 4 Channels**

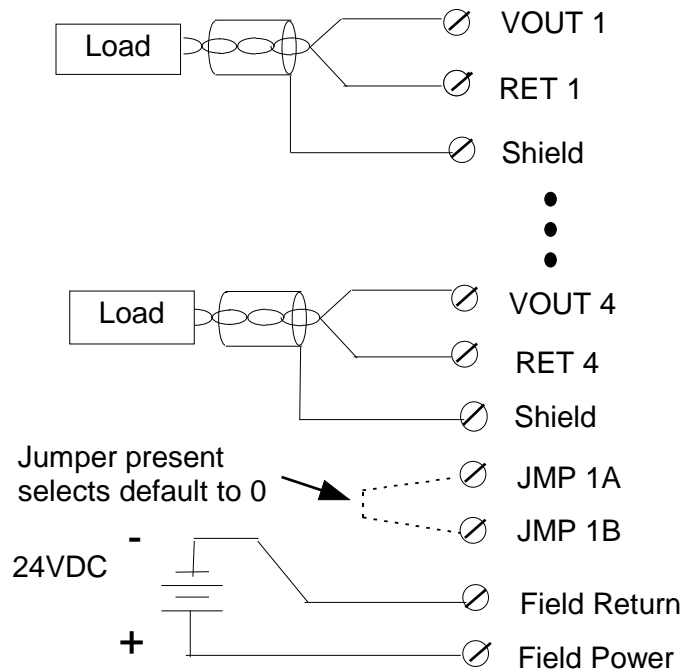
*Jumper Selection*

A jumper on the carrier can be used to select the output default mode.

If no jumper is installed on pins B13 and B14 outputs hold their last state (the last commanded value from the backplane) if backplane power or communications are interrupted or the PLC is stopped. With a jumper installed, if such conditions occur outputs default to 0 volts. This should only be changed with field power and backplane power removed.

Jumper	Selects
None	Hold Last State
JMP 1	Default to 0

*Wiring Example*



---

*IC200ALG321*

*Analog Output Module, 12 Bit Voltage 0 to 10 V DC 4 Channels*

### *Cable Shield Connections*

Shielded twisted pair cable is recommended for all of the analog channel connections.

If the module is installed on a Terminal-style I/O Carrier (IC200CHS001, 002, or 005) or a Compact Terminal-style I/O Carrier (IC200CHS022, 025), the cable shield can be connected directly to the carrier per the Field Wiring Table. An Auxiliary I/O Terminal Strip (IC200TBM001, 002, or 005) can also be added to the Terminal-style I/O Carriers to aid in grounding shields. Be sure to ground the Auxiliary I/O Terminal Strip as well if you plan to use it for this purpose.

If the module is installed on a Connector-style I/O Carrier (IC200CHS003), the cable shield can be connected directly to an Interposing Terminal (IC200CHS011, 012, 015). Be sure to ground the Interposing Terminal. It is recommended to use a shielded interposing cable, as well between the Interposing Terminal and the Connector Base. A custom shielded cable can be made using the Connector kit (IC200ACC304). In addition, a custom shield braid can be wrapped around standard Interposing Cables (IC200CBL105, 110, 120, 230). If this approach is used be sure to ground the braid.

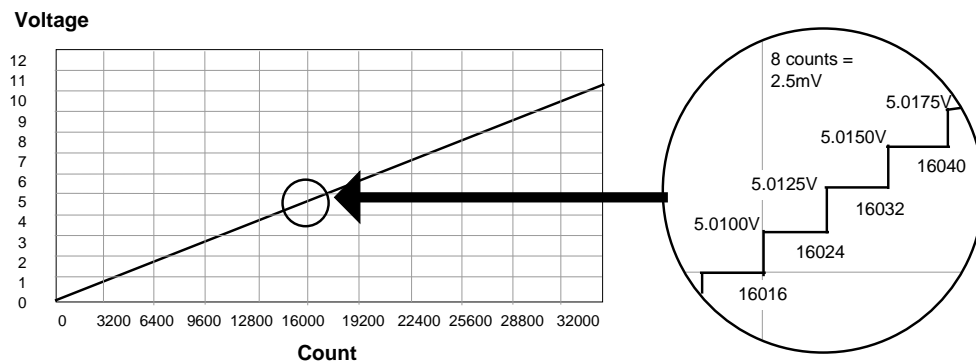
All cable shield connections should be connected to earth ground and be kept as short as practical. The power cable does not need to be shielded.

**IC200ALG321**  
**Analog Output Module, 12 Bit Voltage 0 to 10 V DC 4 Channels**

### Scaling

The following graphs illustrate the relationship between the output voltage measured at the field terminals and the data that is output by the module.

#### Count vs Output Voltage



Voltage can be calculated using the following equation:

$$V_{\text{out}} = ((\text{analog counts} \times 10.25) / 32768)$$

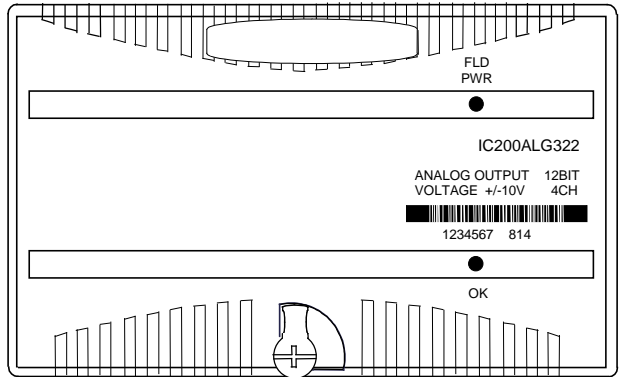
The count value must be a multiple of 8. If the module receives a count value that is not a multiple of 8, it rounds the value down to the closest multiple of 8. For example:

Count	Voltage
16024	5.0125V
16030	5.0125V
16032	5.0150V

**IC200ALG322**

**Analog Output Module, 12 Bit Voltage -10 to +10 V DC 4 Channels**

Analog output module IC200ALG322 provides four analog voltage outputs. The output range is -10 to +10 V DC.



An external 24V power supply is required for the outputs. Intelligent processing for this module is performed by the CPU or Network Interface Unit. The module receives 4 words of analog output data.

**LED Indicators**

The green FLD PWR LED indicates the presence of user-side power for the analog field-side circuits. The green OK LED is ON when backplane power is present to the module.

**Diagnostics**

The module reports a Loss of User Side Power fault for field-side circuits.

**Configuration Parameters**

The module is easily set up with a jumper for the outputs to either hold their last states or default to 0V if backplane power or communications are interrupted or the PLC is stopped. External user power must remain uninterrupted. Outputs remain in their default or last state until the module receives different output data from the backplane, or until field power is removed.

**IC200ALG322**  
**Analog Output Module, 12 Bit Voltage -10 to +10 V DC 4 Channels**

**Module Specifications**

<b>Module Characteristics</b>									
Channels		4 single-ended, one group							
Module ID		FFFF9040							
Isolation:		250 V AC continuous; 1500 V AC for 1 minute							
User input to logic (optical) and to frame ground		250 V AC continuous; 1500 V AC for 1 minute							
Group to group		Not applicable							
Channel to channel		None							
LED indicators		FLD PWR LED indicates field power is present OK LED indicates backplane power is present							
Backplane current consumption		5V output: 50mA maximum							
Thermal derating		None							
Configuration parameters		Output default							
Diagnostics		Loss of User Side Power							
Compatibility	PME programming software	CPU 001	CPU 002	CPU 005	CPU E05	DBI 001	EBI 001	GBI 001	PBI 001
HW, FW vers. FW release	All	AA 1.0	AA 1.5	AA 2.1	AA 2.1	AA 1.1	AA 1.0	AA 1.0	AA 1.0
<b>External Power Supply</b>									
Recommended range		+18 to +30 V DC (including ripple)							
Current consumption at recommended range		160mA max.(including load current)							
12V operation range		9.6 to 15 V DC, 12 V DC nominal (including ripple)							
Current consumption at 12V range		210mA max.(including load current)							
<b>Output Characteristics</b>									
Output voltage		±10.24 V DC							
Load characteristics:		5000 Ω minimum 1.0μF maximum							
Resistive		5000 Ω minimum							
Capacitive		1.0μF maximum							
Accuracy at 25 °C <sup>†</sup>		± 0.3% typical of full scale, ± 0.5% max of full scale							
Accuracy at 0 to 60 °C		±1% maximum of full scale							
Resolution		5mV = 16 counts							
Update rate per module		0.3ms maximum							
Channel-to-channel crosstalk rejection		70dB minimum							
Output default		Hold Last State (default), 0 (configurable)							

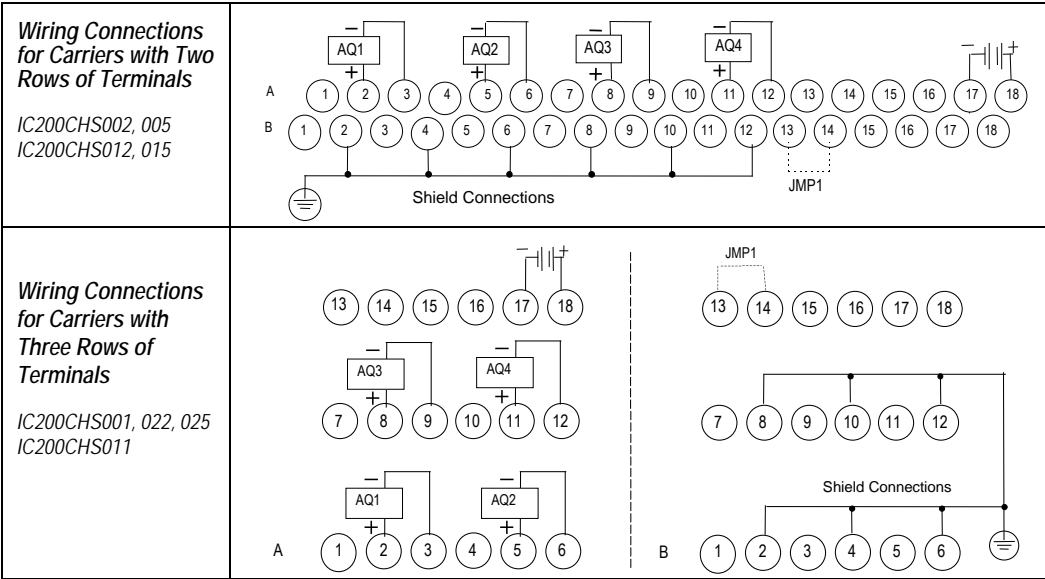
<sup>†</sup> In the presence of severe RF interference, (IEC 1000-4-3, 10V/m), accuracy may be degraded to ±1%.



**IC200ALG322**  
**Analog Output Module, 12 Bit Voltage -10 to +10 V DC 4 Channels**

**Field Wiring**

Terminal	Connection	Terminal	Connection
A1	No connection	B1	No connection
A2	V OUT 1	B2	Shield Termination Point
A3	RET 1	B3	No connection
A4	No connection	B4	Shield Termination Point
A5	V OUT 2	B5	No connection
A6	RET 2	B6	Shield Termination Point
A7	No connection	B7	No connection
A8	V OUT 3	B8	Shield Termination Point
A9	RET 3	B9	No connection
A10	No connection	B10	Shield Termination Point
A11	V OUT 4	B11	No connection
A12	RET 4	B12	Shield Termination Point
A13	No connection	B13	JMP 1A
A14	No connection	B14	JMP 1B
A15	No connection	B15	No connection
A16	No connection	B16	No connection
A17	Field Return	B17	No connection
A18	Field Power	B18	No connection



**IC200ALG322**  
**Analog Output Module, 12 Bit Voltage -10 to +10 V DC 4 Channels**

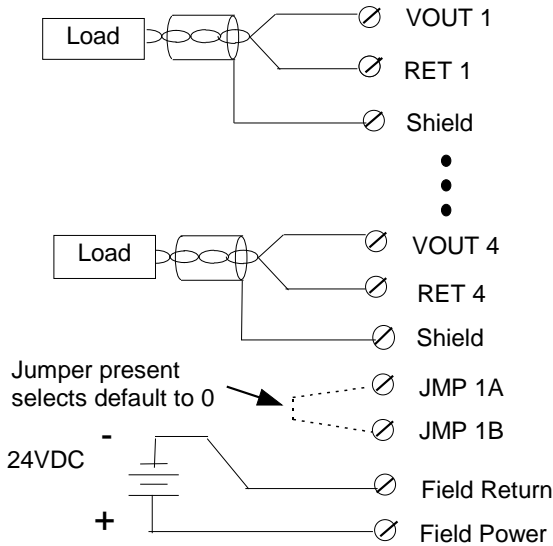
*Jumper Selection*

A jumper on the carrier can be used to select the output default mode.

If no jumper is installed on pins B13 and B14 outputs hold their last state (the last commanded value from the backplane) if backplane power or communications are interrupted or the PLC is stopped. With a jumper installed, if such conditions occur outputs default to 0 V. This should only be changed with field power and backplane power removed.

Jumper	Selects
None	Hold Last State
JMP 1	Default to 0

*Wiring Example*



---

*IC200ALG322*

*Analog Output Module, 12 Bit Voltage -10 to +10 V DC 4 Channels*

### *Cable Shield Connections*

Shielded twisted pair cable is recommended for all of the analog channel connections.

If the module is installed on a Terminal-style I/O Carrier (IC200CHS001, 002, or 005) or a Compact Terminal-style I/O Carrier (IC200CHS022, 025), the cable shield can be connected directly to the carrier per the Field Wiring Table. An Auxiliary I/O Terminal Strip (IC200TBM001, 002, or 005) can also be added to the Terminal-style I/O Carriers to aid in grounding shields. Be sure to ground the Auxiliary I/O Terminal Strip as well if you plan to use it for this purpose.

If the module is installed on a Connector-style I/O Carrier (IC200CHS003), the cable shield can be connected directly to an Interposing Terminal (IC200CHS011, 012, 015). Be sure to ground the Interposing Terminal. It is recommended to use a shielded interposing cable as well between the Interposing Terminal and the Connector Base. A custom shielded cable can be made using the Connector kit (IC200ACC304). In addition, a custom shield braid can be wrapped around standard Interposing Cables (IC200CBL105, 110, 120, 230). If this approach is used be sure to ground the braid.

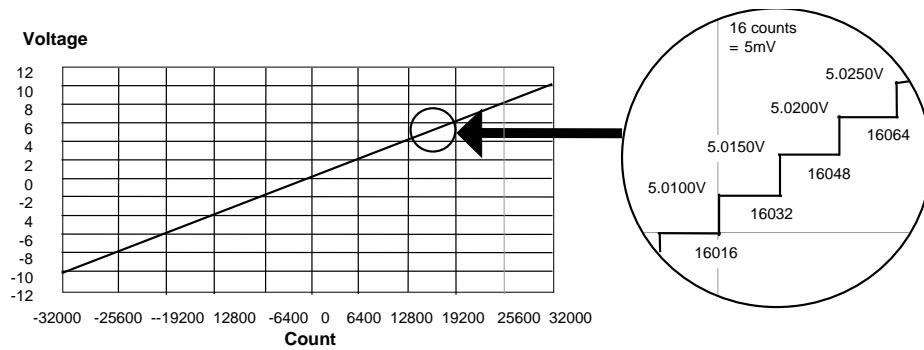
All cable shield connections should be connected to earth ground and be kept as short as practical. The power cable does not need to be shielded.

**IC200ALG322**  
**Analog Output Module, 12 Bit Voltage -10 to +10 V DC 4 Channels**

*Scaling*

The following graphs illustrate the relationship between the output voltage measured at the field terminals and the data that is output by the module.

*Count vs Output Voltage*



Voltage can be calculated using the following equation:

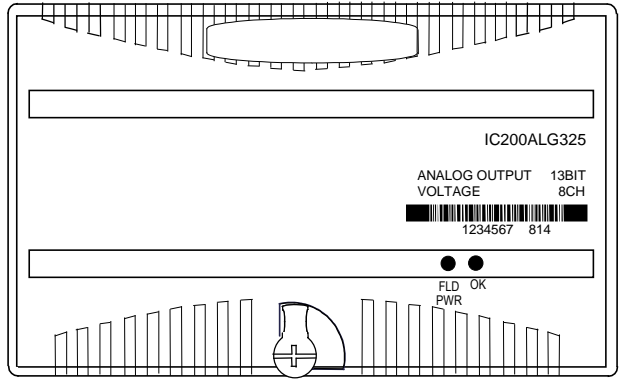
$$V_{out} = ( \text{analog counts} \times 20.5 ) / 65535 )$$

The count value must be a multiple of 16. If the module receives a count value that is not a multiple of 16, it rounds the value down to the closest multiple of 16. For example:

Count	Voltage
16032	5.0150V
16040	5.0150V
16048	5.0200V

**IC200ALG325**  
**Analog Output Module, 13 Bit Voltage 8 Channels**

Analog output module IC200ALG325 provides eight analog voltage outputs. The output range can be either -10 V DC to +10 V DC (bipolar) or 0 V to +10 V DC (unipolar).



An external 24V power supply is required for the outputs.

Intelligent processing for this module is performed by the CPU or Network Interface Unit. The module receives 8 words of analog output data.

**LED Indicators**

The green FLD PWR LED indicates the presence of user-side power for the analog field-side circuits.

The green OK LED is ON when backplane power is present to the module.

**Diagnostics**

The module reports a Loss of User Side Power fault for field-side circuits.

**Configuration Parameters**

The module has a default output range of -10 V DC to +10 V DC (bipolar), but is easily set up with a jumper for the channels to output 0V to +10 V DC (unipolar).

The module is also easily set up with a jumper for the outputs to either hold their last states or default to 0V if backplane power or communications are interrupted or the PLC is stopped. External user power must remain uninterrupted.

Outputs remain in their default or last state until the module receives different output data from the backplane, or until field power is removed.

**IC200ALG325**  
**Analog Output Module, 13 Bit Voltage 8 Channels**

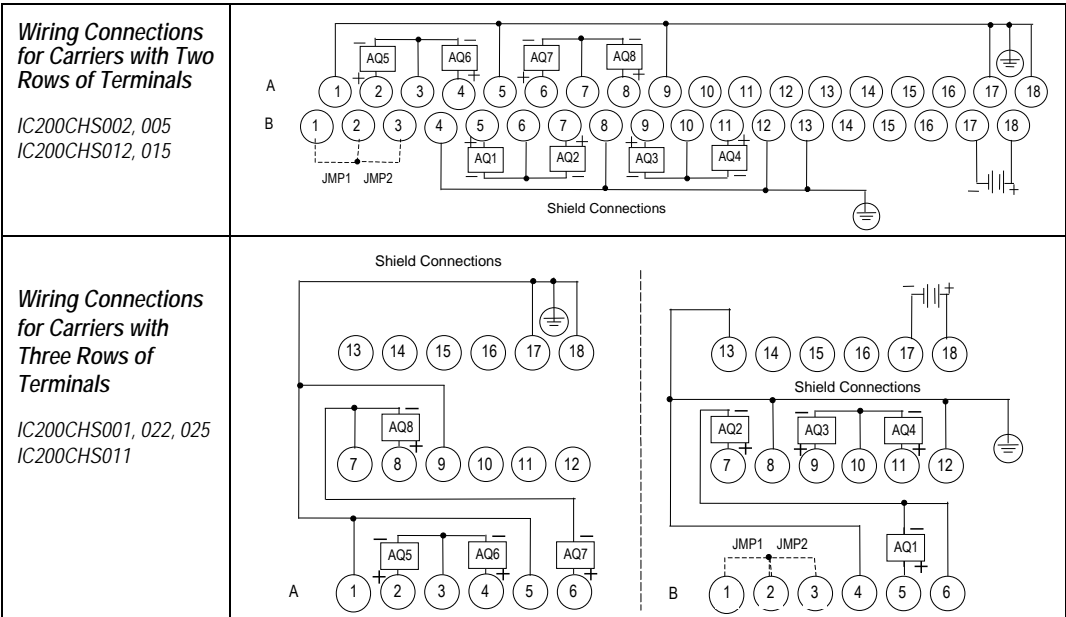
**Module Specifications**

<b>Module Characteristics</b>										
Channels		8 single-ended, one group								
Module ID		FFFF9080								
Isolation:		250 V AC continuous; 1500 V AC for 1 minute								
User input to logic (optical) and to frame ground		Not applicable								
Group to group		None								
Channel to channel										
LED indicators		FLD PWR LED indicates field power is present OK LED indicates backplane power is present								
Backplane current consumption		5V output: 50 mA maximum								
External power supply:										
Range		+18 to +30 V DC (including ripple)								
Current consumption		102mA maximum								
Thermal derating		None								
Configuration parameters		Range, output default								
Diagnostics		Loss of User Side Power								
<i>Compatibility</i>	<i>PME programming software</i>	<i>CPU 001</i>	<i>CPU 002</i>	<i>CPU 005</i>	<i>CPU E05</i>	<i>DBI 001</i>	<i>EBI 001</i>	<i>GBI 001</i>	<i>PBI 001</i>	
<i>HW, FW vers. FW release</i>	All	CE 2.1	AB 2.1	AA 2.1	AA 2.1	No	AB 1.1	BF 2.2	CF 2.2	
<b>Output Characteristics</b>										
Output voltage		-10.24 to +10.24 V DC (bipolar range) 0 to +10.24 V DC (unipolar range)								
Load characteristics:		5000 $\Omega$ minimum								
Resistive		1.0 $\mu$ F maximum								
Capacitive										
Accuracy at:		± 0.3% typical of full scale, ± 0.5% maximum of full scale								
25 °C		±1% maximum of full scale								
0 to 60 °C										
Resolution		1.25mV = 4 counts								
Update rate per module		10 mSec maximum								
Channel-to-channel crosstalk rejection		70dB minimum								
Output default		Hold Last State (default) 0V (configurable)								

**IC200ALG325**  
**Analog Output Module, 13 Bit Voltage 8 Channels**

**Field Wiring**

Terminal	Connection	Terminal	Connection
A1	Shield Termination Point	B1	JMP 1 (Range)
A2	V OUT 5	B2	Jumper (1-2) RTN
A3	RET (5-6)	B3	JMP 2 (Hold)
A4	V OUT 6	B4	Shield Termination Point
A5	Shield Termination Point	B5	V OUT 1
A6	V OUT 7	B6	RTN (1-2)
A7	RTN (7-8)	B7	V OUT 2
A8	V OUT 8	B8	Shield Termination Point
A9	Shield Termination Point	B9	V OUT 3
A10	No connection	B10	RTN (3-4)
A11	No connection	B11	V OUT 4
A12	No connection	B12	Shield Termination Point
A13	No connection	B13	Shield Termination Point
A14	No connection	B14	No connection
A15	No connection	B15	No connection
A16	No connection	B16	No connection
A17	Shield Termination Point	B17	Field Return
A18	Shield Termination Point	B18	Field Power



**IC200ALG325**  
**Analog Output Module, 13 Bit Voltage 8 Channels**

*Jumper Selection*

Jumpers on the carrier can be used to select the output range and output default mode.

*Range Jumper*

If no jumper is installed on pins B1 and B2, outputs are configured for the bipolar range of -10 to +10 V. With a jumper installed, the outputs are configured for the unipolar range of 0 V to +10 V.

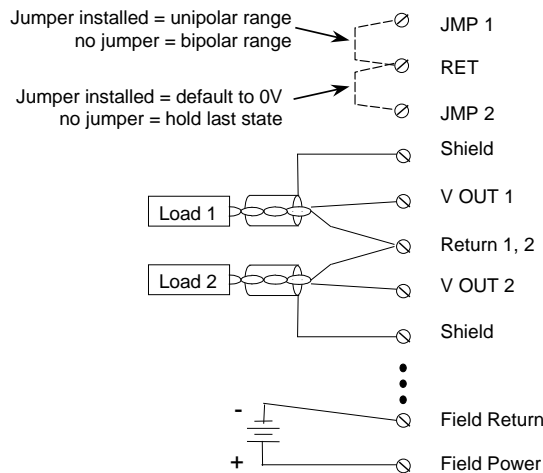
Range Jumper (JMP 1)	Range
None	-10 to +10 V
Installed	0 to +10 V

*Hold Jumper*

If no jumper is installed on pins B2 and B3, outputs hold their last state (the last commanded value from the backplane) if backplane power or communications are interrupted or the PLC is stopped. With a jumper installed, outputs default to 0 V. This should only be changed with the field power and backplane power removed.

Hold Jumper (JMP 2)	Output Default
None	Hold Last State
Installed	0 V

*Wiring Example*





### *Cable Shield Connections*

Shielded twisted pair cable is recommended for all of the analog channel connections.

If the module is installed on a Terminal-style I/O Carrier (IC200CHS001, 002, or 005) or a Compact Terminal-style I/O Carrier (IC200CHS022, 025), the cable shield can be connected directly to the carrier per the Field Wiring Table. An Auxiliary I/O Terminal Strip (IC200TBM001, 002, or 005) can also be added to the Terminal-style I/O Carriers to aid in grounding shields. Be sure to ground the Auxiliary I/O Terminal Strip as well if you plan to use it for this purpose.

If the module is installed on a Connector-style I/O Carrier (IC200CHS003), the cable shield can be connected directly to an Interposing Terminal (IC200CHS011, 012, 015). Be sure to ground the Interposing Terminal. It is recommended to use a shielded interposing cable as well between the Interposing Terminal and the Connector Base. A custom shielded cable can be made using the Connector kit (IC200ACC304). In addition, a custom shield braid can be wrapped around standard Interposing Cables (IC200CBL105, 110, 120, 230). If this approach is used be sure to ground the braid.

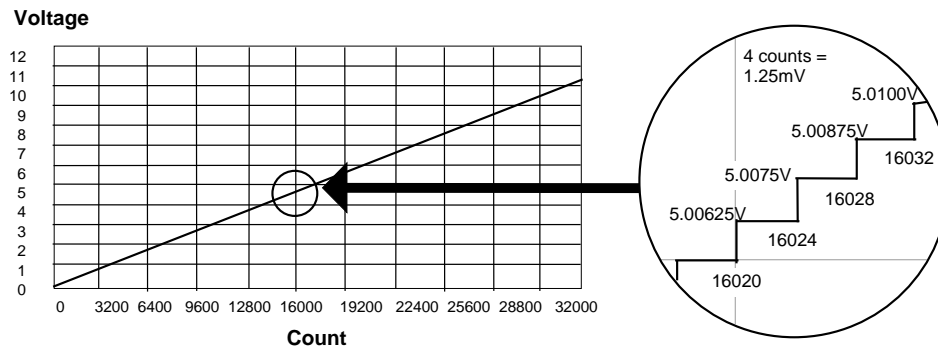
All cable shield connections should be connected to earth ground and be kept as short as practical. The power cable does not need to be shielded.

**IC200ALG325**  
**Analog Output Module, 13 Bit Voltage 8 Channels**

*Scaling for Unipolar Outputs*

The following graph illustrates the relationship between the output voltage measured at the field terminals and the data that is output by the module, when outputs are set up for the **unipolar range**.

*Count vs Output Voltage, Unipolar*



Voltage can be calculated using the following equation:

$$V_{out} = ( \text{analog counts} \times 10.24 ) / 32768 )$$

The count value must be a multiple of 4. If the module receives a count value that is not a multiple of 4, it rounds the value down to the closest multiple of 4. For example:

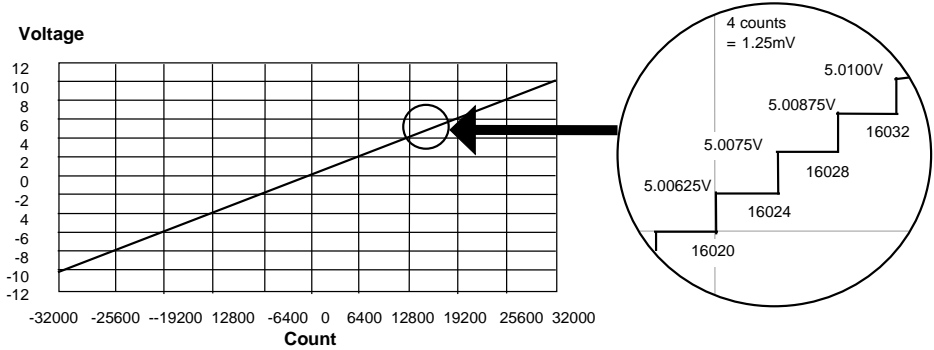
Count	Voltage
16024	5.0075V
16026	5.0075V
16028	5.00875V

*IC200ALG325*  
*Analog Output Module, 13 Bit Voltage 8 Channels*

**Scaling for Bipolar Outputs**

The following graph illustrates the relationship between the output voltage measured at the field terminals and the data that is output by the module, when outputs are set up for the **bipolar range**.

*Count vs Output Voltage, Bipolar*



Voltage can be calculated using the following equation:

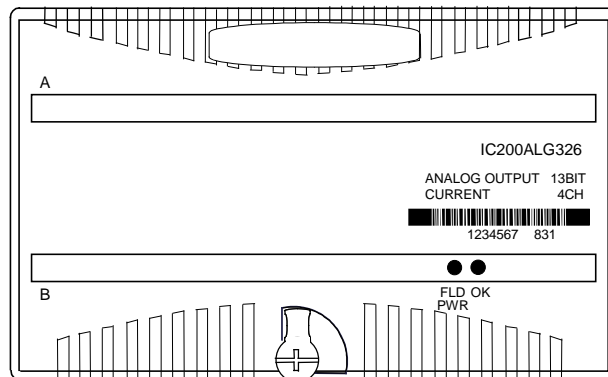
$$V_{out} = ( \text{analog counts} \times 20.48 ) / 65536$$

The count value must be a multiple of 4. If the module receives a count value that is not a multiple of 4, it rounds the value down to the closest multiple of 4. For example:

Count	Voltage
16024	5.0075V
16026	5.0075V
16028	5.00875V

### *IC200ALG326 Analog Output Module, 13 Bit Current, 8 Channels*

Analog output module IC200ALG326 provides eight 4mA to 20mA analog current-sourcing outputs. Including a modest amount of overrange current, approximately 20.38mA of output current per channel is available to drive output loads.



An external source of DC power is required for the outputs.

Intelligent processing for this module is performed by the CPU or NIU. The module receives 8 words of analog output data.

#### **LED Indicators**

The green FLD PWR LED indicates the presence of user-side power for the analog field-side circuits. The green OK LED is ON when backplane power is present to the module.

#### **Diagnostics**

The module reports a Loss of User Side Power fault for field-side circuits.

#### **Configuration Parameters**

The module can be configured for either the 4-20 mA or 0-20 mA output current range by installing a jumper wire on the field terminals.

The module can also be easily set up with a jumper for the outputs to either hold their last states or default to low end of range if backplane power or communications are interrupted or the PLC is stopped. External user power must remain uninterrupted.

Outputs remain in their default or last state until the module receives different output data from the backplane, or until field power is removed.

**IC200ALG326**  
**Analog Output Module, 13 Bit Current, 8 Channels**

**Module Specifications**

<b>Module Characteristics</b>										
Channels		8 single-ended, one group								
Module ID		FFFF9480								
Isolation:		250 V AC continuous; 1500 V AC for 1 minute								
User input to logic and to frame ground		Not applicable								
Group to group		None								
Channel to channel										
LED indicators		FLD PWR LED indicates field power is present OK LED indicates backplane power is present								
Backplane current consumption		5V output: 50mA maximum								
External power supply:		+18 to +30 V DC (including ripple) 2A inrush maximum 100 mA maximum (no load) 185 mA maximum (all 8 outputs at full scale)								
Range										
Current consumption										
Thermal derating		None								
Configuration parameter		Range, output default								
Diagnostics		Loss of User Side (Field) Power								
<i>Compatibility</i>	<i>PME programming software</i>	<i>CPU 001</i>	<i>CPU 002</i>	<i>CPU 005</i>	<i>CPU E05</i>	<i>DBI 001</i>	<i>EBI 001</i>	<i>GBI 001</i>	<i>PBI 001</i>	
<i>HW, FW vers. FW release</i>	All	CE 2.1	AB 2.1	AA 2.1	AA 2.1	No	AB 1.1	BF 2.2	CF 2.2	
<b>Output Characteristics</b>										
Output current		4 to 20mA (default) 0 to 20mA (configured with jumper)								
Load characteristics:		0 to 800 Ω maximum <sup>††</sup> 0.1μF maximum 0.5H maximum								
Resistive										
Capacitive										
Inductive										
Accuracy:		± 0.3% of full scale (typical), ± 0.5% of full scale (max) ±1% of full scale (max)								
+25 deg C <sup>†</sup>										
0 to +60 °C										
Resolution		4-20 mA: 5 counts = 2.5 uA (~12.7 bits) 0-20 mA: 4 counts = 2.5 uA (13 bits)								
Update rate per module		15 mSec maximum								
Channel-to-channel crosstalk rejection		70dB minimum								
Output default		Hold Last State (default) Low End of Range (configurable)								

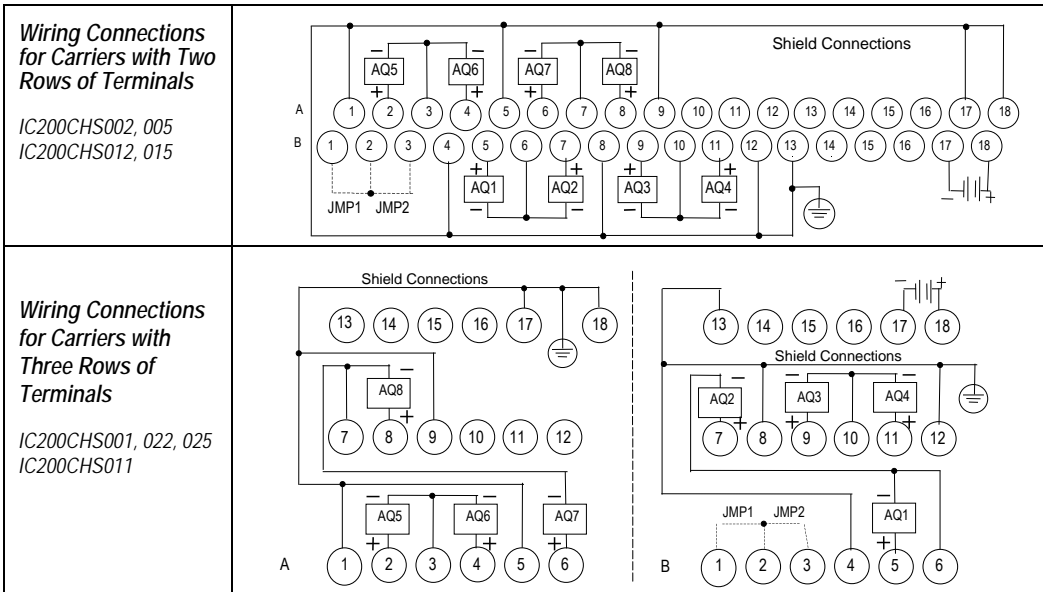
<sup>†</sup> In the presence of severe RF interference, (IEC 1000-4-3, 10V/m), accuracy may be degraded an additional ±1%.

<sup>††</sup>  $R_{L(MAX)} = (V_{FIELD PS} - 4V) / 20.38mA$

**IC200ALG326**  
**Analog Output Module, 13 Bit Current, 8 Channels**

*Field Wiring*

Terminal	Connection	Terminal	Connection
A1	Shield Termination Point	B1	Range Jumper
A2	I OUT 5	B2	Jumper RET
A3	RET	B3	Hold Jumper
A4	I OUT 6	B4	Shield Termination Point
A5	Shield Termination Point	B5	I OUT 1
A6	I OUT 7	B6	RET
A7	RET	B7	I OUT 2
A8	I OUT 8	B8	Shield Termination Point
A9	Shield Termination Point	B9	I OUT 3
A10	No connection	B10	RET
A11	No connection	B11	I OUT 4
A12	No connection	B12	Shield Termination Point
A13	No connection	B13	Shield Termination Point
A14	No connection	B14	No connection
A15	No connection	B15	No connection
A16	No connection	B16	No connection
A17	Shield Termination Point	B17	DC-
A18	Shield Termination Point	B18	DC+



**IC200ALG326**

**Analog Output Module, 13 Bit Current, 8 Channels**

**Jumper Selection**

**Range Jumper**

If no jumper is installed the output current range will be 4 to 20 mA. With a jumper installed the output current range is 0 to 20 mA. This should only be changed with field power and backplane power removed. The corresponding parameter in the hardware configuration must also be adjusted accordingly.

<b>Range Jumper</b>	<b>Default</b>
None	4 to 20 mA
JMP 1	0 to 20 mA

**Hold Jumper**

If no jumper is installed outputs hold their last state (the last commanded value from the backplane) if backplane power or communications are interrupted or the PLC is stopped. With a jumper installed, if such conditions occur outputs default to 0/4mA. This should only be changed with field power and backplane power removed. The corresponding parameter in the hardware configuration must be adjusted accordingly.

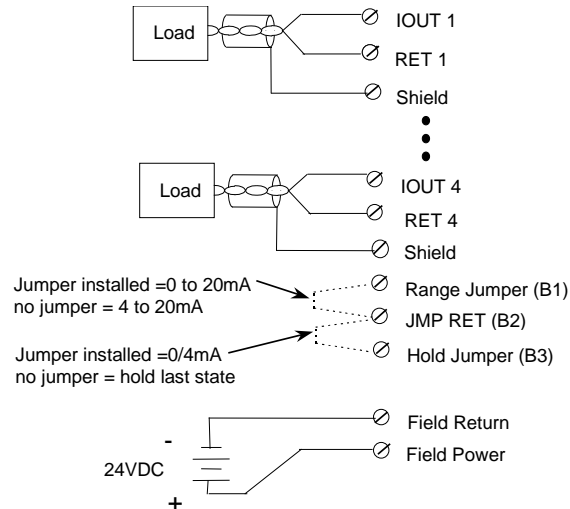
<b>Hold Jumper</b>	<b>Default</b>
None	Hold Last State
JMP 2	0/4mA

The “Default Low End of Range” value can be either 4mA or 0mA. The default depends on the PLC status, output current range selected, and whether the module is controlled by a VersaMax PLC CPU or a Network Interface Unit (NIU) module. In some cases, the module will output 0mA instead of 4mA, even when configured for the 4-20mA range as displayed in the following chart.

<b>Action</b>	<b>Module Set to Default Low End of Range (Default)</b>				<b>Module Set to Hold Last State (HLS)</b>			
	<b>Module in NIU Rack</b>		<b>Module in CPU Rack</b>		<b>Module in NIU Rack</b>		<b>Module in CPU Rack</b>	
	<b>0-20mA</b>	<b>4-20mA</b>	<b>0-20mA</b>	<b>4-20mA</b>	<b>0-20mA</b>	<b>4-20mA</b>	<b>0-20mA</b>	<b>4-20mA</b>
Run to Stop	0mA	4mA	0mA	0mA	HLS	HLS	HLS	HLS
Loss of Field Power	0mA	0mA	0mA	0mA	0mA	0mA	0mA	0mA
Loss of Backplane Power	0mA	0mA	0mA	0mA	HLS	HLS	HLS	HLS
Loss of Communication	0mA	4mA	N/A	N/A	HLS	HLS	N/A	N/A
Loss of Module	0mA	0mA	0mA	0mA	0mA	0mA	0mA	0mA
Loss of CPU/NIU Power	0mA	0mA	0mA	0mA	HLS	HLS	HLS	HLS

## IC200ALG326 Analog Output Module, 13 Bit Current, 8 Channels

### Wiring Example



### Cable Shield Connections

Shielded twisted pair cable is recommended for all of the analog channel connections.

If the module is installed on a Terminal-style I/O Carrier (IC200CHS001, 002, or 005) or a Compact Terminal-style I/O Carrier (IC200CHS022, 025), the cable shield can be connected directly to the carrier per the Field Wiring Table. An Auxiliary I/O Terminal Strip (IC200TBM001, 002, or 005) can also be added to the Terminal-style I/O Carriers to aid in grounding shields. Be sure to ground the Auxiliary I/O Terminal Strip as well if you plan to use it for this purpose.

If the module is installed on a Connector-style I/O Carrier (IC200CHS003), the cable shield can be connected directly to an Interposing Terminal (IC200CHS011, 012, 015). Be sure to ground the Interposing Terminal. It is recommended to use a shielded interposing cable as well between the Interposing Terminal and the Connector Base. A custom shielded cable can be made using the Connector kit (IC200ACC304). In addition, a custom shield braid can be wrapped around standard Interposing Cables (IC200CBL105, 110, 120, 230). If this approach is used be sure to ground the braid.

All cable shield connections should be connected to earth ground and be kept as short as practical. The power cable does not need to be shielded.

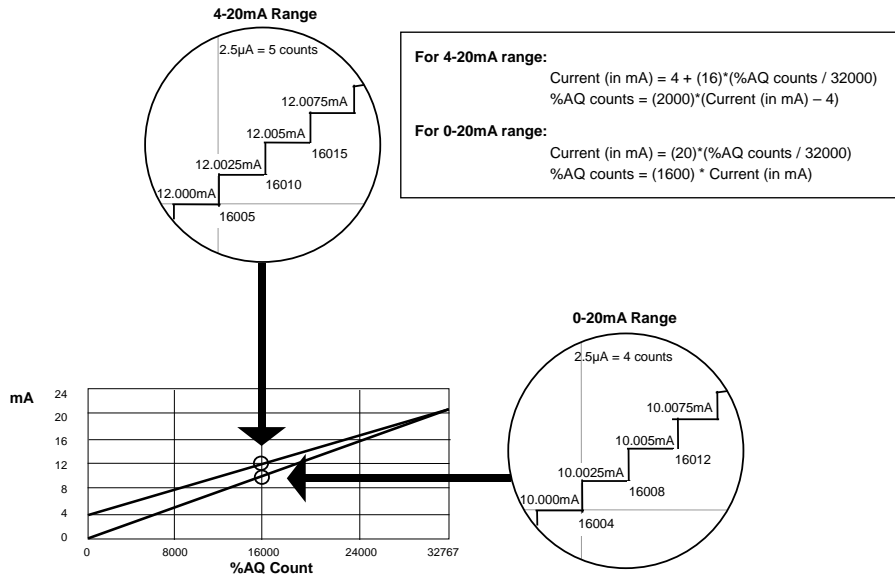


**IC200ALG326**  
**Analog Output Module, 13 Bit Current, 8 Channels**

**Output Current Range Scaling / Step Change**

In 0-20mA range mode, a current output signal value of 0mA corresponds to a %AQ value of 0 counts, and 20mA corresponds to a %AQ value of +32,000 counts. In 4-20mA range mode, a value of 0 %AQ counts corresponds to an output current of 4mA and a value of +32,000 %AQ counts corresponds to an output current of 20mA. If the module is installed in a VersaMax PLC, it converts negative value commands to 0 mA regardless of range selected. If the module is controlled by a Network Interface Unit (NIU), it converts any negative value commands to the low end of range.

The following figure illustrates the relationship between output signal strength and commanded %AQ counts. It depicts the step change in output current level for various command values. Not every command value results in a change in the output current level due to the module's resolution.

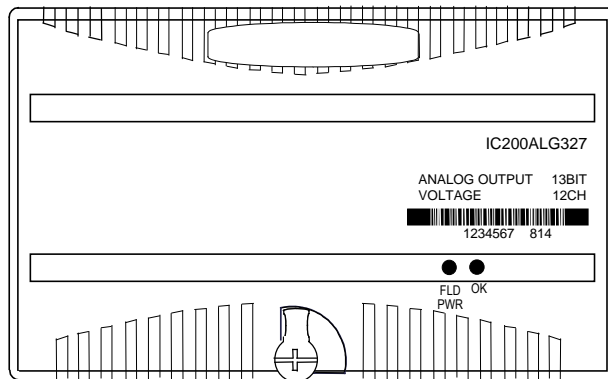


**4-20 mA Range Step Change Example**

Count	Current
16000	12.0000 mA
16005	12.0025 mA
16008	12.0025 mA
16009	12.0025 mA
16010	12.0050 mA

### **IC200ALG327** **Analog Output Module, 13 Bit Voltage 12 Channels**

Analog output module IC200ALG327 provides twelve analog voltage outputs. The output range can be either  $-10\text{ V DC}$  to  $+10\text{ V DC}$  (bipolar) or  $0\text{ V}$  to  $+10\text{ V DC}$  (unipolar).



An external 24V power supply is required for the outputs.

Intelligent processing for this module is performed by the CPU or Network Interface Unit. The module receives 12 words of analog output data.

#### **LED Indicators**

The green FLD PWR LED indicates the presence of user-side power for the analog field-side circuits.

The green OK LED is ON when backplane power is present to the module.

#### **Diagnostics**

The module reports a Loss of User Side Power fault for field-side circuits.

#### **Configuration Parameters**

The module has a default output range of  $-10\text{ V DC}$  to  $+10\text{ V DC}$  (bipolar), but is easily set up with a jumper for the channels to output  $0\text{ V}$  to  $+10\text{ V DC}$  (unipolar).

The module is also easily set up with a jumper for the outputs to either hold their last states or default to  $0\text{ V}$  if backplane power or communications are interrupted or the PLC is stopped. External user power must remain uninterrupted.

Outputs remain in their default or last state until the module receives different output data from the backplane, or until field power is removed.

**IC200ALG327**  
**Analog Output Module, 13 Bit Voltage 12 Channels**

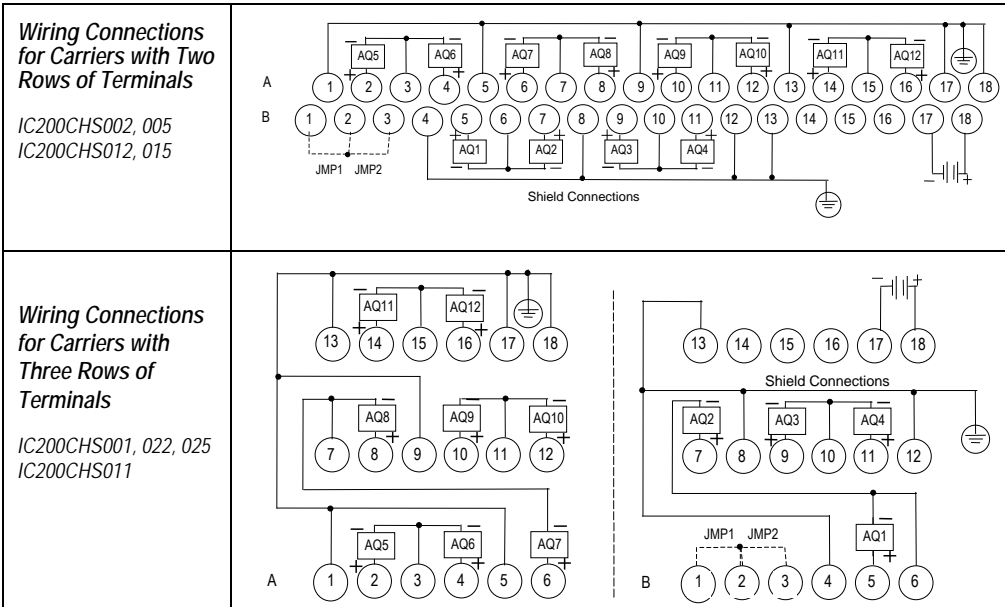
### Module Specifications

<b>Module Characteristics</b>										
Channels		12 single-ended, one group								
Module ID		FFFF90C0								
Isolation:		250 V AC continuous; 1500 V AC for 1 minute								
User input to logic (optical) and to frame ground		Not applicable								
Group to group		None								
Channel to channel										
LED indicators		FLD PWR LED indicates field power is present OK LED indicates backplane power is present								
Backplane current consumption		5V output: 50mA maximum								
External power supply:										
Range		+18 to +30 V DC (including ripple)								
Current consumption		112mA maximum								
Thermal derating		None								
Configuration parameters		Range, output default								
Diagnostics		Loss of User Side Power								
<i>Compatibility</i>	<i>PME programming software</i>	<i>CPU 001</i>	<i>CPU 002</i>	<i>CPU 005</i>	<i>CPU E05</i>	<i>DBI 001</i>	<i>EBI 001</i>	<i>GBI 001</i>	<i>PBI 001</i>	
<i>HW, FW vers. FW release</i>	All	CE 2.1	AB 2.1	AA 2.1	AA 2.1	No	AB 1.1	BF 2.2	CF 2.2	
<b>Output Characteristics</b>										
Output voltage		-10.24 to +10.24 V DC (bipolar range) 0 to +10.24 V DC (unipolar range)								
Load characteristics:		5000 Ω minimum								
Resistive		1.0μF maximum								
Capacitive										
Accuracy:		± 0.3% typical of full scale, ± 0.5% maximum of full scale								
at 25 °C		±1% maximum of full scale								
0 to 60 °C										
Resolution		1.25mV = 4 counts								
Update rate per module		15 mSec maximum								
Channel-to-channel crosstalk rejection		70dB minimum								
Output default		Hold Last State (default) 0V (configurable)								

**IC200ALG327**  
**Analog Output Module, 13 Bit Voltage 12 Channels**

**Field Wiring**

Terminal	Connection	Terminal	Connection
A1	Shield Termination Point	B1	JMP 1 (Range)
A2	V OUT 5	B2	Jumper (1-2) RTN
A3	RTN (5-6)	B3	JMP 2 (Hold)
A4	V OUT 6	B4	Shield Termination Point
A5	Shield Termination Point	B5	V OUT 1
A6	V OUT 7	B6	RTN (1-2)
A7	RTN (7-8)	B7	V OUT 2
A8	V OUT 8	B8	Shield Termination Point
A9	Shield Termination Point	B9	V OUT 3
A10	V OUT 9	B10	RTN (3-4)
A11	RTN (9-10)	B11	V OUT 4
A12	V OUT 10	B12	Shield Termination Point
A13	Shield Termination Point	B13	Shield Termination Point
A14	V OUT 11	B14	No connection
A15	RTN (11-12)	B15	No connection
A16	V OUT 12	B16	No connection
A17	Shield Termination Point	B17	Field Return
A18	Shield Termination Point	B18	Field Power



*IC200ALG327*

*Analog Output Module, 13 Bit Voltage 12 Channels*

**Jumper Selection**

Jumpers on the carrier can be used to select the output range and output default mode.

**Range Jumper**

If no jumper is installed on pins B1 and B2, outputs are configured for the bipolar range of -10V to +10V. With a jumper installed, the outputs are configured for the unipolar range of 0V to +10V.

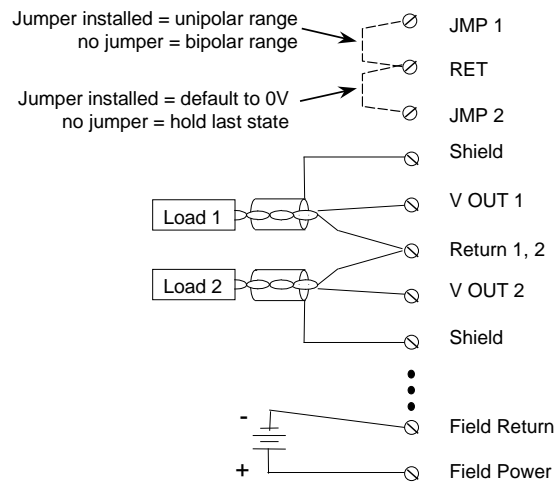
Range Jumper (JMP 1)	Range
None	-10V to +10V
Installed	0V to +10V

**Hold Jumper**

If no jumper is installed on pins B2 and B3, outputs hold their last state (the last commanded value from the backplane) if backplane power or communications are interrupted or the PLC is stopped. With a jumper installed, outputs default to 0V. This should only be changed with the field power and backplane power removed.

Hold Jumper (JMP 2)	Output Default
None	Hold Last State
Installed	0V

**Wiring Example**



---

**IC200ALG327**  
**Analog Output Module, 13 Bit Voltage 12 Channels*****Cable Shield Connections***

Shielded twisted pair cable is recommended for all of the analog channel connections.

If the module is installed on a Terminal-style I/O Carrier (IC200CHS001, 002, or 005) or a Compact Terminal-style I/O Carrier (IC200CHS022, 025), the cable shield can be connected directly to the carrier per the Field Wiring Table. An Auxiliary I/O Terminal Strip (IC200TBM001, 002, or 005) can also be added to the Terminal-style I/O Carriers to aid in grounding shields. Be sure to ground the Auxiliary I/O Terminal Strip as well if you plan to use it for this purpose.

If the module is installed on a Connector-style I/O Carrier (IC200CHS003), the cable shield can be connected directly to an Interposing Terminal (IC200CHS011, 012, 015). Be sure to ground the Interposing Terminal. It is recommended to use a shielded interposing cable as well between the Interposing Terminal and the Connector Base. A custom shielded cable can be made using the Connector kit (IC200ACC304). In addition, a custom shield braid can be wrapped around standard Interposing Cables (IC200CBL105, 110, 120, 230). If this approach is used be sure to ground the braid.

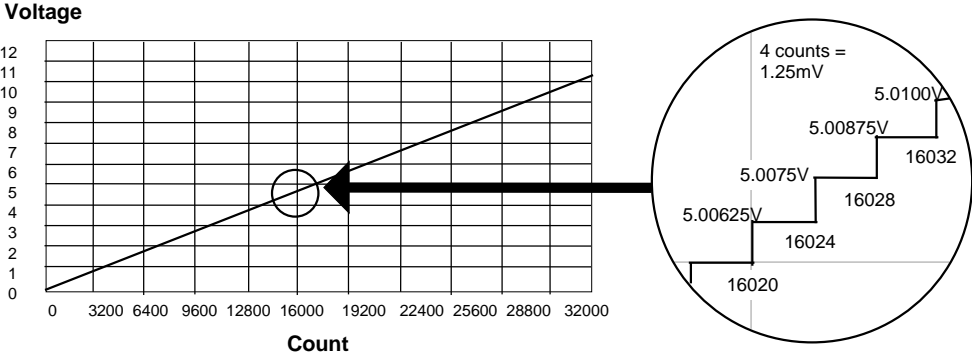
All cable shield connections should be connected to earth ground and be kept as short as practical. The power cable does not need to be shielded.

*IC200ALG327*  
*Analog Output Module, 13 Bit Voltage 12 Channels*

**Scaling for Unipolar Outputs**

The following graph illustrates the relationship between the output voltage measured at the field terminals and the data that is output by the module, when outputs are set up for the **unipolar range**.

*Count vs Output Voltage, Unipolar*



Voltage can be calculated using the following equation:

$$V_{out} = ( \text{analog counts} \times 10.24 ) / 32768 )$$

The count value must be a multiple of 4. If the module receives a count value that is not a multiple of 4, it rounds the value down to the closest multiple of 4. For example:

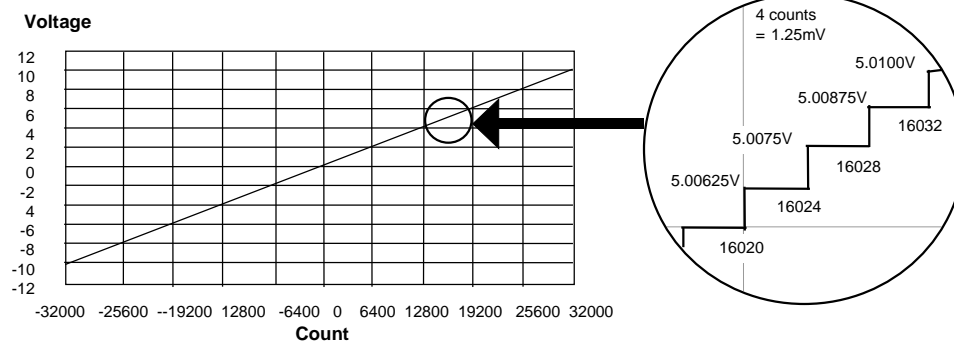
Count	Voltage
16024	5.0075V
16026	5.0075V
16028	5.00875V

**IC200ALG327**  
**Analog Output Module, 13 Bit Voltage 12 Channels**

*Scaling for Bipolar Outputs*

The following graph illustrates the relationship between the output voltage measured at the field terminals and the data that is output by the module, when outputs are set up for the **bipolar range**.

*Count vs Output Voltage, Bipolar*



Voltage can be calculated using the following equation:

$$V_{out} = ( \text{analog counts} \times 20.48 ) / 65536 )$$

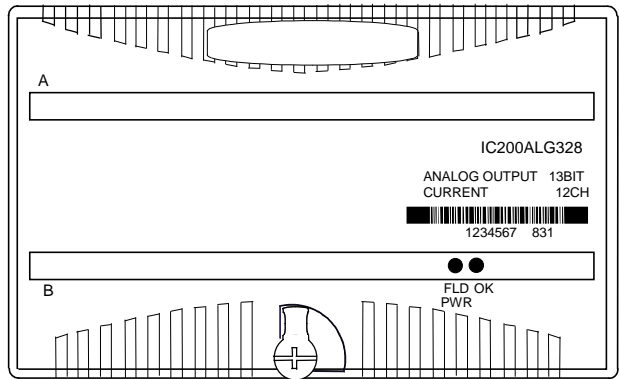
The count value must be a multiple of 4. If the module receives a count value that is not a multiple of 4, it rounds the value down to the closest multiple of 4. For example:

Count	Voltage
16024	5.0075V
16026	5.0075V
16028	5.00875V



**IC200ALG328**  
**Analog Output Module, 13 Bit Current, 12 Channels**

Analog output module IC200ALG328 provides twelve 4mA to 20mA analog current-sourcing outputs. Including a modest amount of overrange current, approximately 20.38mA of output current per channel is available to drive output loads.



An external source of DC power is required for the outputs.

Intelligent processing for this module is performed by the CPU or NIU. The module receives 12 words of analog output data.

**LED Indicators**

The green FLD PWR LED indicates the presence of user-side power for the analog field-side circuits.

The green OK LED is ON when backplane power is present to the module.

**Diagnostics**

The module reports a Loss of User Side Power fault for field-side circuits.

**Configuration Parameters**

The module can be configured for either the 4-20 mA or 0-20 mA output current range by installing a jumper wire on the field terminal strip.

The module can also be easily set up with a jumper for the outputs to either hold their last states or default to the low end of their range if backplane power or communications are interrupted or the PLC is stopped. External user power must remain uninterrupted.

Outputs remain in their default or last state until the module receives different output data from the backplane, or until field power is removed.

**IC200ALG328**  
**Analog Output Module, 13 Bit Current, 12 Channels**

**Module Specifications**

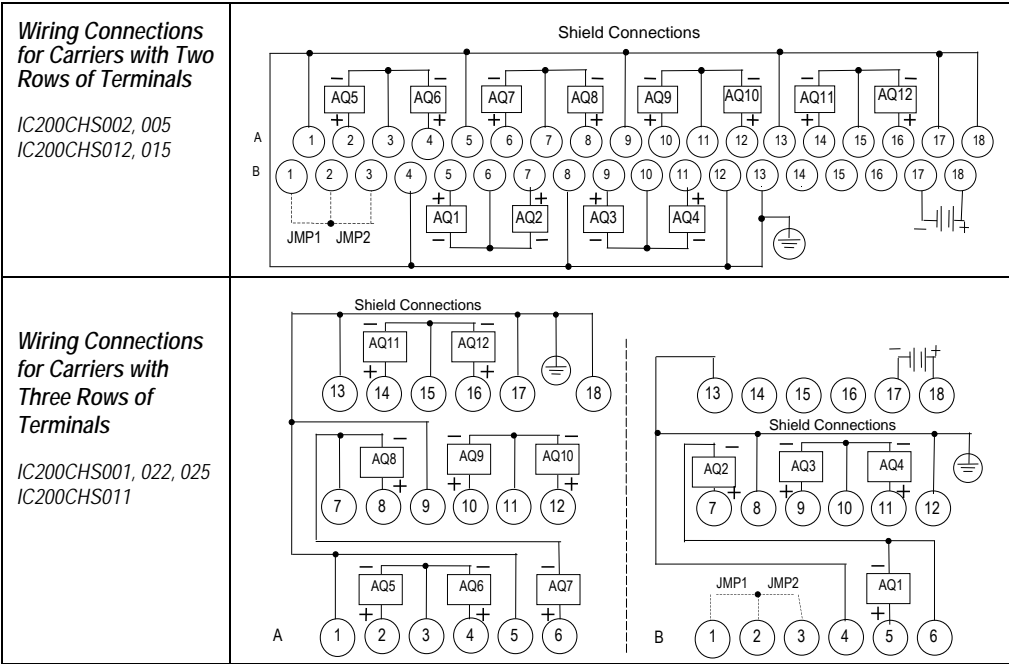
<b>Module Characteristics</b>									
Channels		12 single-ended, one group							
Module ID		FFFF94C0							
Isolation:		250 V AC continuous; 1500 V AC for 1 minute							
User input to logic and to frame ground		Not applicable							
Group to group		None							
Channel to channel		None							
LED indicators		FLD PWR LED indicates field power is present OK LED indicates backplane power is present							
Backplane current consumption		5V output: 50mA maximum							
External power supply:		+18 to +30 V DC (including ripple)							
Range		2A inrush maximum							
Current consumption		100 mA maximum (no load) 270 mA maximum (all 12 outputs at full scale)							
Thermal derating		Refer to associated diagram							
Configuration parameter		Range, output default							
Diagnostics		Loss of User Side (Field) Power							
<i>Compatibility</i>	<i>PME programming software</i>	<i>CPU 001</i>	<i>CPU 002</i>	<i>CPU 005</i>	<i>CPU E05</i>	<i>DBI 001</i>	<i>EBI 001</i>	<i>GBI 001</i>	<i>PBI 001</i>
<i>HW, FW vers.</i> <i>FW release</i>	All	CE 2.1	AB 2.1	AA 2.1	AA 2.1	No	AB 1.1	BF 2.2	CF 2.2
<b>Output Characteristics</b>									
Output current		4 to 20mA (default), 0 to 20mA (configured with jumper)							
Load characteristics:		0 to 800 Ω maximum: $R_{L(MAX)} = (V_{FIELD PS} - 4V) / 20.38mA$							
Resistive		0.1μF maximum							
Capacitive		0.5H maximum							
Inductive									
Accuracy:		± 0.3% of full scale (typical), ± 0.5% of full scale (max.)							
+25 deg C <sup>†</sup>		±1% of full scale (max.)							
0 to +60 °C									
Resolution		4-20 mA: 5 counts = 2.5 uA (~12.7 bits) 0-20 mA: 4 counts = 2.5 uA (13 bits)							
Update rate per module		15 mSec maximum							
Channel-to-channel crosstalk rejection		70dB minimum							
Output default		Hold Last State (default), Low End of Range(configurable)							

<sup>†</sup> In the presence of severe RF interference, (IEC 1000-4-3, 10V/m), accuracy may be degraded an additional ±1%.

**IC200ALG328**  
**Analog Output Module, 13 Bit Current, 12 Channels**

**Field Wiring**

Terminal	Connection	Terminal	Connection
A1	Shield Termination Point	B1	Range Jumper
A2	I OUT 5	B2	Jumper RET
A3	RET	B3	Hold Jumper
A4	I OUT 6	B4	Shield Termination Point
A5	Shield Termination Point	B5	I OUT 1
A6	I OUT 7	B6	RET
A7	RET	B7	I OUT 2
A8	I OUT 8	B8	Shield Termination Point
A9	Shield Termination Point	B9	I OUT 3
A10	I OUT 9	B10	RET
A11	RET	B11	I OUT 4
A12	I OUT 10	B12	Shield Termination Point
A13	Shield Termination Point	B13	Shield Termination Point
A14	I OUT 11	B14	No connection
A15	RET	B15	No connection
A16	I OUT 12	B16	No connection
A17	Shield Termination Point	B17	DC-
A18	Shield Termination Point	B18	DC+



**IC200ALG328**  
**Analog Output Module, 13 Bit Current, 12 Channels**

### Jumper Selection

#### Range Jumper

If no jumper is installed the output current range will be 4 to 20 mA. With a jumper installed the output current range is 0 to 20 mA. This should only be changed with field power and backplane power removed. The corresponding parameter in the hardware configuration must also be adjusted accordingly.

Range Jumper	Default
None	4 to 20 mA
JMP 1	0 to 20 mA

#### Hold Jumper

If no jumper is installed outputs hold their last states (the last commanded values from the backplane) if backplane power or communications are interrupted or the PLC is stopped. With a jumper installed, if such conditions occur outputs default to 0/4mA. This should only be changed with field power and backplane power removed. The corresponding parameter in the hardware configuration must also be adjusted accordingly.

Hold Jumper	Default
None	Hold Last State
JMP 2	0/4mA

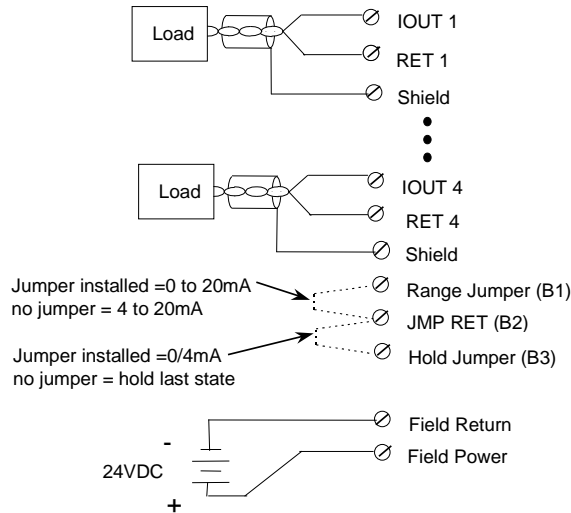
The “Default Low End of Range” value can be either 4mA or 0mA. The default depends on the PLC status, output current range selected, and whether the module is controlled by a VersaMax PLC CPU or a Network Interface Unit (NIU) module. In some cases, the module will output 0mA instead of 4mA, even when configured for the 4-20mA range as displayed in the following chart.

Action	Module Set to Default Low End of Range (Default)				Module Set to Hold Last State (HLS)			
	Module in NIU Rack		Module in CPU Rack		Module in NIU Rack		Module in CPU Rack	
	0-20mA	0-20mA	4-20mA	0-20mA	4-20mA	4-20mA	0-20mA	4-20mA
Run to Stop	0mA	0mA	4mA	0mA	HLS	HLS	HLS	HLS
Loss of Field Power	0mA	0mA	0mA	0mA	0mA	0mA	0mA	0mA
Loss of Backplane Power	0mA	0mA	0mA	0mA	HLS	HLS	HLS	HLS
Loss of Communication	0mA	0mA	4mA	N/A	HLS	HLS	N/A	N/A
Loss of Module	0mA	0mA	0mA	0mA	0mA	0mA	0mA	0mA
Loss of CPU/NIU Power	0mA	0mA	0mA	0mA	HLS	HLS	HLS	HLS

## IC200ALG328

### Analog Output Module, 13 Bit Current, 12 Channels

#### Wiring Example



#### Cable Shield Connections

Shielded twisted pair cable is recommended for all of the analog channel connections.

If the module is installed on a Terminal-style I/O Carrier (IC200CHS001, 002, or 005) or a Compact Terminal-style I/O Carrier (IC200CHS022, 025), the cable shield can be connected directly to the carrier per the Field Wiring Table. An Auxiliary I/O Terminal Strip (IC200TBM001, 002, or 005) can also be added to the Terminal-style I/O Carriers to aid in grounding shields. Be sure to ground the Auxiliary I/O Terminal Strip as well if you plan to use it for this purpose.

If the module is installed on a Connector-style I/O Carrier (IC200CHS003), the cable shield can be connected directly to an Interposing Terminal (IC200CHS011, 012, 015). Be sure to ground the Interposing Terminal. It is recommended to use a shielded interposing cable as well between the Interposing Terminal and the Connector Base. A custom shielded cable can be made using the Connector kit (IC200ACC304). In addition, a custom shield braid can be wrapped around standard Interposing Cables (IC200CBL105, 110, 120, 230). If this approach is used be sure to ground the braid.

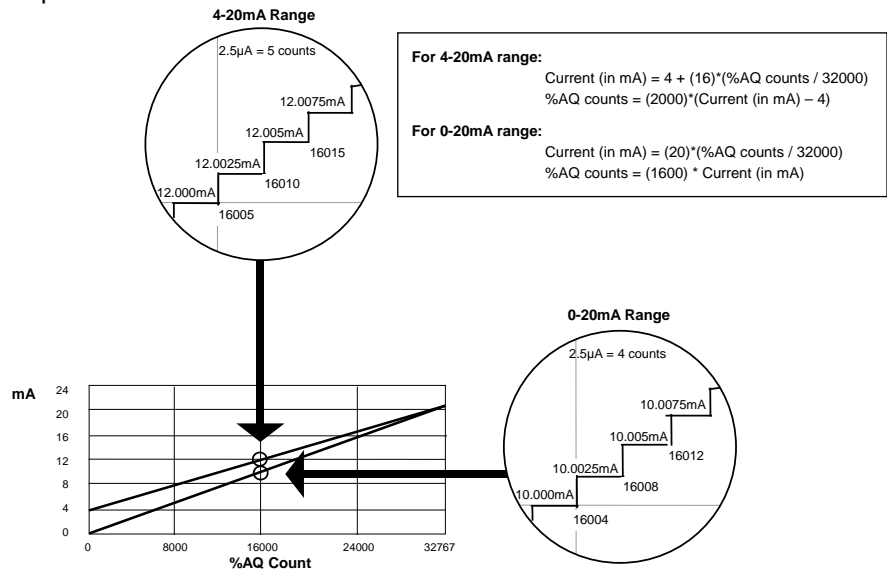
All cable shield connections should be connected to earth ground and be kept as short as practical. The power cable does not need to be shielded.

**IC200ALG328**  
**Analog Output Module, 13 Bit Current, 12 Channels**

**Output Current Range Scaling / Step Change**

In 0-20mA range mode, a current output signal value of 0mA corresponds to a %AQ value of 0 counts, and 20mA corresponds to a %AQ value of +32,000 counts. In 4-20mA range mode, a value of 0 %AQ counts corresponds to an output current of 4mA and a value of +32,000 %AQ counts corresponds to an output current of 20mA. If the module is installed in a Versamax PLC, it converts negative value commands to 0 mA regardless of range selected. If the module is controlled by a Network Interface Unit (NIU), it converts any negative value commands to the low end of range.

The following figure illustrates the relationship between output signal strength and commanded %AQ counts. It depicts the step change in output current level for various command values. Not every command value results in a change in the output current level due to the module's resolution.



**4-20 mA Range Step Change Example**

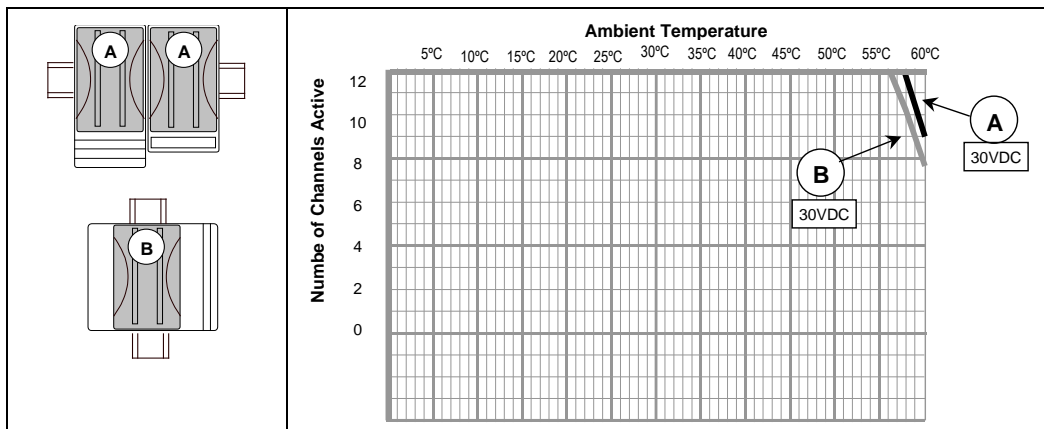
Count	Current
16000	12.0000 mA
16005	12.0025 mA
16008	12.0025 mA
16009	12.0025 mA
16010	12.0050 mA

*IC200ALG328*  
*Analog Output Module, 13 Bit Current, 12 Channels*

**Thermal Derating**

The number of channels that can be active at the same time depends on the ambient temperature, the external voltage, and the orientation of the module and DIN rail. There is no thermal derating for this module at 24V. The chart below shows thermal deratings for this module, on certain carriers, at 30 V DC with the module and DIN rail in the orientations shown. There is no derating at 30V in other orientation and carrier combinations.

To meet thermal derating requirements, inactive channels should be distributed evenly across the total number of output. For example, the "A" orientation graph as follows reflects the derating with channels 1, 5, and 9 inactive.



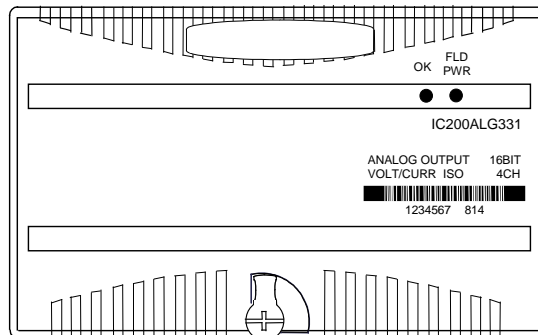
**IC200ALG331****Analog Output Module, 16 Bit Voltage/Current, 1500 V AC Isolation, 4 Channels**

Analog output module IC200ALG331 provides four analog outputs. Features include:

- Four isolated 4-20mA current output channels
- Software configuration, no jumpers or switches
- Sixteen bit converter resolution
- High accuracy factory calibration

The module provides the following additional software-configurable features:

- Per-channel selection of 4-20mA current or  $\pm 10V$  voltage outputs
- Selection of default/hold last state operation
- Per-channel selection of default values
- Per-channel selection of under- and over-range diagnostics levels
- Per-channel selection of alarm levels
- Per-channel scaling
- Field re-calibration on command



An external 24V power supply is required for the outputs. In current mode, a separate power supply may be required for isolated outputs.

The module receives 4 words of analog output data from the CPU or NIU.

**LED Indicators**

The green FLD PWR LED indicates the presence of logic power and field power for the analog field-side circuits. It does not indicate the presence of other supplies such as current loop supplies on output points. The absence of backplane or field power turns off the FLD PWR LED. This module is the only one that has the OK LED located before the FLD PWR LED in the A slot.

The OK LED indicates module status:

- On green indicates normal operation.
- Flashing green indicates boot mode or update
- Flashing amber indicates self-diagnostic error.
- Off indicates no 3.3V power



**IC200ALG331**

**Analog Output Module, 16 Bit Voltage/Current, 1500 V AC Isolation, 4 Channels**

**Module Specifications**

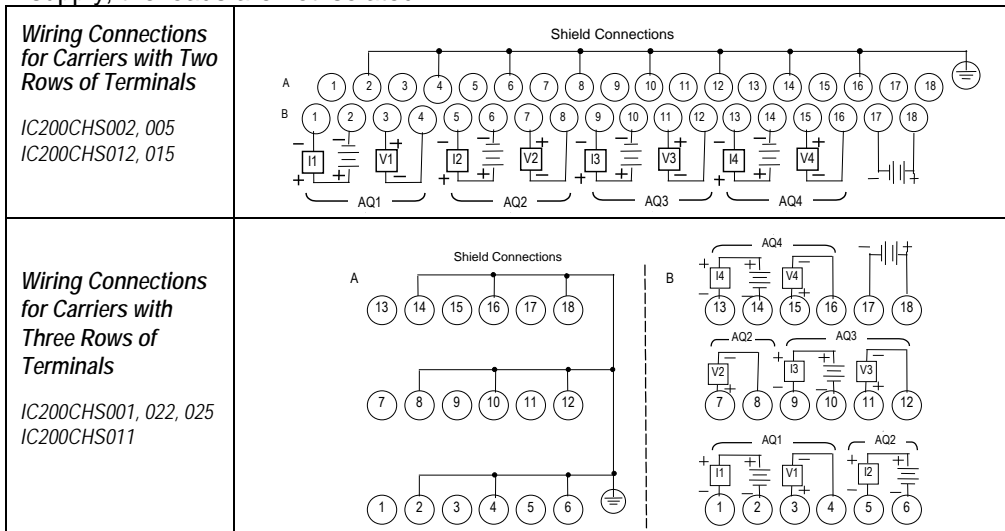
<b>Module Characteristics</b>									
Channels		4 outputs							
Module ID		FFFF9805							
Isolation: User input to logic (optical) and to frame ground, Group to Group Channel to channel		250 V AC continuous; 1500 V AC for 1 minute  Not applicable 250 V AC continuous; 1500 V AC for 1 minute							
LED indicators		FLD PWR LED indicates the presence of both logic power and user power. OK LED indicates module status.							
Backplane current consumption		5V output: 10mA maximum. 3.3V output: 115mA maximum							
External power supply: Range Current consumption		+19.5 to +30 V DC including ripple 100mA maximum plus load currents							
Thermal derating		None							
Diagnostics		High/Low Limit, Over/Underrange, Open Wire, Loss of Field Power Supply, Non-volatile memory fault							
<i>Compatibility</i>	<i>PME programming software</i>	<i>CPU 001</i>	<i>CPU 002</i>	<i>CPU 005</i>	<i>CPU E05</i>	<i>DBI 001</i>	<i>EBI 001</i>	<i>GBI 001</i>	<i>PBI 001</i>
<i>HW, FW vers. FW release</i>	All	BC 1.2	AA 1.5	AA 2.1	AA 2.1	AA 1.1	AA 1.0	AB 1.1	BB 1.1
<b>Output Characteristics</b>									
Output operating range		Current mode: +4 to 20mA Voltage mode: ±10 V DC							
Accuracy at 25 °C		± 0.1% maximum of full scale							
Temperature coefficient		Current mode: 45ppm/°C typical, 90 ppm/°C maximum  Voltage mode: 30ppm/°C typical, 60 ppm/°C maximum							
Load characteristics		Current mode: 0 to 1250 Ω Voltage mode: 2K Ω minimum							
Analog Resolution (1LSB)		Current mode: 381 nA nominal Voltage mode: 381 μV nominal							
Update rate per module		7ms maximum							
Channel-to-channel crosstalk rejection		70dB minimum							
Output default		Hold Last State (default) 0 (configurable)							

**IC200ALG331**  
**Analog Output Module, 16 Bit Voltage/Current, 1500 V AC Isolation, 4 Channels**

**Field Wiring**

Terminal	Connection	Terminal	Connection
A1	No connection	B1	I1+
A2	Shield Termination Point	B2	I1-
A3	No connection	B3	V1+
A4	Shield Termination Point	B4	V1-
A5	No connection	B5	I2+
A6	Shield Termination Point	B6	I2-
A7	No connection	B7	V2+
A8	Shield Termination Point	B8	V2-
A9	No connection	B9	I3+
A10	Shield Termination Point	B10	I3-
A11	No connection	B11	V3+
A12	Shield Termination Point	B12	V3-
A13	No connection	B13	I4+
A14	Shield Termination Point	B14	I4-
A15	No connection	B15	V4+
A16	Shield Termination Point	B16	V4-
A17	No connection	B17	DC -
A18	No connection	B18	DC+

A 24 volt power supply must be connected to B17 and B18 to operate the module. Voltage outputs are powered from the module. For each channel, V+ is positive with respect to V- when the channel's output data is positive. Current outputs act as current regulators and require a supply to power the load. The current loop can be connected as a current source or current sink to the load. Loads are isolated if the loop supply is isolated. However, if the module supply is also used as the loop supply, the loads are not isolated.

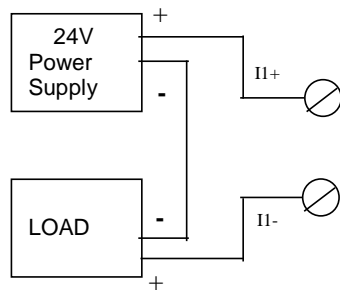


*IC200ALG331*

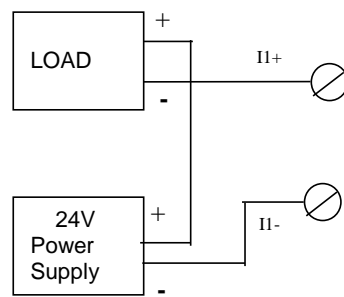
*Analog Output Module, 16 Bit Voltage/Current, 1500 V AC Isolation, 4 Channels*

*Wiring Examples*

**Current Source**



**Current Sink**



*Cable Shield Connections*

Shielded twisted pair cable is recommended for all of the analog channel connections.

If the module is installed on a Terminal-style I/O Carrier (IC200CHS001, 002, or 005) or a Compact Terminal-style I/O Carrier (IC200CHS022, 025), the cable shield can be connected directly to the carrier per the Field Wiring Table. An Auxiliary I/O Terminal Strip (IC200TBM001, 002, or 005) can also be added to the Terminal-style I/O Carriers to aid in grounding shields. Be sure to ground the Auxiliary I/O Terminal Strip as well if you plan to use it for this purpose.

If the module is installed on a Connector-style I/O Carrier (IC200CHS003), the cable shield can be connected directly to an Interposing Terminal (IC200CHS011, 012, 015). Be sure to ground the Interposing Terminal. It is recommended to use a shielded interposing cable as well between the Interposing Terminal and the Connector Base. A custom shielded cable can be made using the Connector kit (IC200ACC304). In addition, a custom shield braid can be wrapped around standard Interposing Cables (IC200CBL105, 110, 120, 230). If this approach is used be sure to ground the braid.

All cable shield connections should be connected to earth ground and be kept as short as practical. The power cable does not need to be shielded.

**IC200ALG331****Analog Output Module, 16 Bit Voltage/Current, 1500 V AC Isolation, 4 Channels****Operation**

The default parameters of this module can be used in many applications. The module can be software-configured when it is installed in a VersaMax PLC system, or an I/O Station controlled by a NIU version 2.0 or above.

**Output Defaults**

The module requires both logic and module 24 V power supplies to produce an output. Subsequent loss of power or communication will produce output states as determined by the configuration.

<b>Power and configuration states</b>	<b>Output condition</b>
Field power, no logic power, not configured	All outputs 0
Field and logic power, not configured	All outputs 0
Field and logic power, configured	Outputs are scaled and follow program data
Module defaults due to loss of communications or other cause.	Outputs are set to configured default: value or Hold Last State. In I/O Station with NIU, outputs are set to 0.
Loss of backplane power after configuration	Outputs are set to Hold Last State if configured for Hold Last State operation, or to 0 if "default" was configured. A configured default value is not available to the module if backplane power has been lost. In I/O Station with NIU, outputs set to 0.
Communication returns without loss of Field Power	Outputs resume operation after configuration.

**Calibration**

The module is calibrated at the factory. For most applications, no further calibration is required. It is possible to perform recalibration in either of the following ways:

- Changing a module's scaling so its scaled data agrees with metered values
- Sending the module a recalibration message as described in the PLC User's Manual

---

*IC200ALG331*

*Analog Output Module, 16 Bit Voltage/Current, 1500 V AC Isolation, 4 Channels*

### *Diagnostics*

By default, the module is configured for fault reporting. The module reports faults as soon as they are detected. Once a fault has been reported, the same fault is not reported again until the fault has been cleared. Fault reporting can be disabled through configuration. If disabled, faults are not reported. The module can detect and report the following faults:

#### *Over-Range*

The module reports an Over-Range fault if an output value is greater than approximately +12.5 volts or 25 mA.

#### *Under-Range*

The module reports an Under-Range fault if an output value is approximately 0mA on an current channel or -12.5 V on a voltage channel.

#### *Open Wire*

The module reports an Open Wire fault on current outputs if the configuration of the low end of the range is greater than or equal to approximately 2.0 mA, but the output is not detecting current.

#### *Loss of Field Power Supply*

The module reports a Loss of Field Power fault if field power is not present (also indicated by the FLD PWR LED). Outputs default as specified by the configuration.

#### *High Limit*

The module reports a High Alarm fault if an output value is greater than or equal to the value specified by the "Alarm High" configuration parameter.

#### *Low Limit*

The module reports a Low Alarm fault if an output value is less than or equal to the value specified by the "Alarm Low" configuration parameter.

#### *Non-volatile Memory Fault*

The module reports this fault only during field recalibration, if a non-volatile memory fault is detected.

**IC200ALG331**  
**Analog Output Module, 16 Bit Voltage/Current, 1500 V AC Isolation, 4 Channels**

### Configurable Parameters

The default parameters of this module can be used in many applications. The module can be software-configured when it is installed in a VersaMax PLC system, or an I/O Station controlled by a NIU that is version 2.0 or above.

Module Parameter	Description	Default	Choices
Analog Output Data Reference	Starting offset for the module's analog output data.		user selectable
Analog Output Data Length	Word length of the module's analog output data.	4	0–4
Report Faults	Enables or disables Fault Reporting for the entire Module.	Enabled	Enabled, Disabled
%AQ Default /Hold Last State	Specifies whether the module will go to the specified channel defaults (see below) or hold their last states if power or communications are lost.	Default	Default /Hold
Current / Voltage	Specifies whether the channel will be a voltage or current output. If the Channel type is Current, the range is 4 to 20mA. If Channel type is Voltage, the range is –10 to +10V.	I (Current)	I (Current), V (Voltage)
Channel Active	Specifies if the channel should output data received from the CPU or NIU. If a channel is "inactive" space is still allocated for it.	Active	Inactive (off), Active (on)
Span Low	Actual current (in microAmps) or voltage (in milliVolts) to be scaled to low engineering units value.	4000 $\mu$ A	0 to 25,000 $\mu$ A –10,000 to +10,000mV
Span High	Actual current in microAmps or voltage in millivolts to be scaled to the high engineering units value.	20000 $\mu$ A	0 to 25,000 $\mu$ A –10,000 to +10,000mV
Engineering Low	The engineering units value that is considered equivalent to the low span (actual) value.	4000	0 to 25,000 $\mu$ A –10,000 to +10,000mV
Engineering High	The engineering units value that is considered equivalent to the high span (actual) value.	20000	0 to 25,000 $\mu$ A –10,000 to +10,000mV
Default	The value to be output by the firmware when the module is in a default condition and the Output Default Control is set to Default.	0 $\mu$ A	-32768 to +32767

*IC200ALG331*

*Analog Output Module, 16 Bit Voltage/Current, 1500 V AC Isolation, 4 Channels*

**Configuring Scaling**

The module converts digital output values received from the CPU or NIU to electrical signals (either current or voltage, as configured). By default, the module converts this data to 1 millivolt or 1 microamp “internal units” for convenience in scaling and comparing to actual meter measurements.

The module’s default scaling can be changed to tailor the output data to a specific application. Typically, engineering units represent millivolts or microamps. But they may also represent physical units, such as degrees or centimeters per second. When reconfiguring scaling, it is important to be sure that the chosen Engineering Units values would not result in Overrange or Underrange output levels.

The scaling for each channel can be configured independently. Scaling is configured by selecting corresponding low and high engineering units values and low and high internal values (counts) for two points.

During operation, the module will use the straight line defined by these two pairs of configured scaling values to convert internal values to current or voltage signal levels that represent appropriate engineering units.

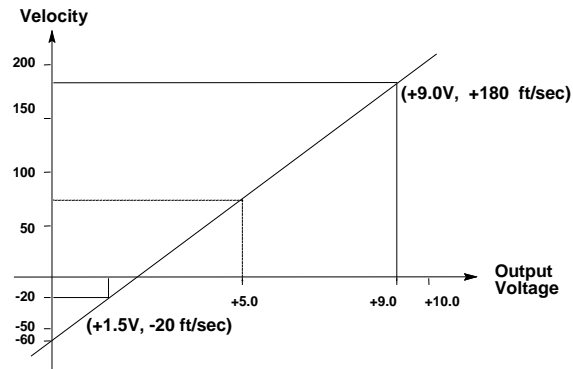
**Scaling Values for 1mV or 1μA Engineering Units**

For many applications, the engineering units are either millivolts or microAmps. These units are easy to scale. Simply use the table below to find scaling values that are appropriate for the channel’s configured range.

Examples	Output Range	Enter this engineering units value	Span Units (microAmps)
4 mA to 20 mA	4 mA 20 mA	Low +4,000 High +20,000	Low +4,000 High +20,000
-10 volts to +10 volts	0 volts +10 volts	Low 0 High +10,000	Low +4,000 High +20,000
0 mA to 20 mA	0 mA 20 mA	Low 0 High +20,000	Low 0 High +20,000
-10 volts to +10 volts	-5 volts +10 volts	Low -5,000 High +10,000	Low -5,000 High +10,000

**IC200ALG331****Analog Output Module, 16 Bit Voltage/Current, 1500 V AC Isolation, 4 Channels***Scaling Example*

A channel is configured in the 0 to 10 volts DC range. It measures a velocity output. Electronic sensors and mechanical linkage external to the module have determined that an output level of +1.5 V DC is equal to -20 ft/sec (-6 m/sec), and that +9 V DC is equal to +180 ft/sec (+50 m/sec). Plotting these values on a graph illustrates a signal of 5 V DC corresponds to a speed of 73.3 ft/sec.



For engineering units of feet per second, the following scaling values are used:

Low engineering units	=	-20	ft/sec
High engineering units	=	+180	ft/sec
Low span units	=	1500	millivolts
High span units	=	9000	millivolts

An output value of 5.0 V would be scaled to an engineering value of +00073 (ft/sec).

In this example, scaling to hundredths of feet per second would provide better resolution. The following scaling values would be used:

Low engineering units	=	-2000	hundredths ft/sec
High engineering units	=	+1800	hundredths ft/sec
Low span units	=	1500	millivolts
High span units	=	9000	millivolts

An output value of 5.0 V would be scaled to an engineering value of +7333 (hundredths of ft/sec).



# Chapter 12

## Analog Mixed I/O Modules

---

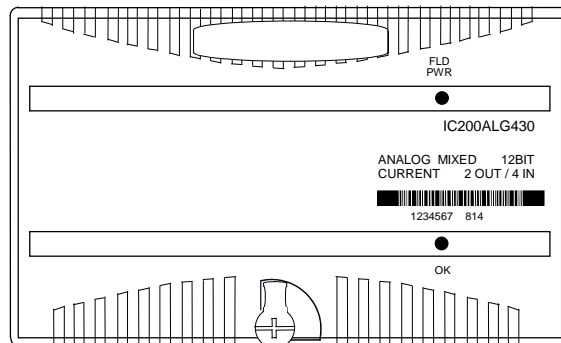
---

This chapter describes analog mixed input/output modules.

- IC200ALG430 Analog Mixed Module, 12 Bit Input Current 4 Channels and Output Current 2 Channels
- IC200ALG431 Analog Mixed Module, 12 Bit 0 to 10 V DC Input 4 Channels and Output 2 Channels
- IC200ALG432 Analog Mixed Module, 12 Bit  $\pm 10$  V DC Input 4 Channels and Output 2 Channels

**IC200ALG430**  
**Analog Mixed Module, 12 Bit Input Current 4 Channels and**  
**Output Current 2 Channels**

Analog mixed module IC200ALG430 provides four analog current inputs and two analog current outputs.



An external 24V power supply is required for the outputs. For inputs, power for the user's transceivers must be supplied from an external source.

Intelligent processing for this module is performed by the CPU or Network Interface Unit. The module provides 4 words of analog input data and receives 2 words of analog output data.

### **LED Indicators**

The green FLD PWR LED indicates the presence of user-side power for the analog field-side circuits. The green OK LED is on when backplane power is present to the module.

### **Diagnostics**

The module reports a Loss of User Side Power fault for field-side circuits.

### **I/O Defaults**

The module is easily set up with a jumper for the outputs to either hold their last states or default to 4mA if backplane power or communications are interrupted or the PLC is stopped. External user power must remain uninterrupted. Outputs remain in their default or last state until the module receives different output data from the backplane, or until field power is removed.

When software-configured, inputs can be configured to hold last state or report a selectable value. When the module is auto-configured using a CPU or NIU that is version 2.x or later, inputs default to 0. If the CPU or NIU is version 1.5 or earlier, the input default matches the jumper-configured output default (0 or Hold Last State).

**IC200ALG430**

**Analog Mixed Module, 12 Bit Input Current 4 Channels and  
Output Current 2 Channels**

**Module Specifications**

<b>Module Characteristics</b>									
Channels		4 differential inputs, one group, 2 single-ended outputs, one group							
Module ID		FFFF9424							
Isolation:		250VAC continuous; 1500VAC for 1 minute							
User input to logic (optical) and to frame ground		Not applicable							
Group to group		None							
Channel to channel		None							
LED indicators		FLD PWR LED indicates field power is present OK LED indicates backplane power is present							
Backplane current consumption		5V output: 50mA maximum							
Thermal derating		None							
Configuration parameters		Output default							
Diagnostics		Loss of User Side Power							
<i>Compatibility</i>	<i>PME programming software</i>	<i>CPU001</i>	<i>CPU002</i>	<i>CPU005</i>	<i>CPUE05</i>	<i>DBI001</i>	<i>EBI001</i>	<i>GBI001</i>	<i>PBI001</i>
<i>HW, FW vers. FW release</i>	All	AA 1.0	AA 1.5	AA 2.1	AA 2.1	AA 1.1	AA 1.0	AA 1.0	AA 1.0
<b>External Power Supply</b>									
Recommended Range		+18 to +30 V DC (including ripple)							
Current consumption at recommended range		160mA max.(including load current)							
12V operation range		9.6 to 15 V DC , 12 V DC nominal (including ripple)							
Current consumption at 12V range		215mA max.(including load current)							
<b>Input Characteristics</b>									
Input current		4 to 20mA							
Input Impedance		200 Ω maximum							
Accuracy (0V Common Mode Voltage):		± 0.3% typ. of full scale, ± 0.5% max. of full scale							
25 °C**		± 1% maximum of full scale							
0 to 60 °C		± 1% maximum of full scale							
Resolution:		4μA = 8 counts							
Filter response		5.0ms							
Update rate per module		0.4ms							
Common mode voltage		≤30V							
Channel-to-channel crosstalk rejection		30dB minimum							
<b>Output Characteristics</b>									
Output current		4 to 20mA							
Load characteristics:		0 to 1250 Ω maximum ( $R_{L(MAX)} = (V_{EXTERNAL PS} - 4V) / 20.38mA$ )							
Resistive		0.1μF maximum							
Capacitive		0.5H maximum							
Inductive		0.5H maximum							
Accuracy at 25 °C**		± 0.3% typ. of full scale, ± 0.5% max of full scale							
Accuracy at 0 to 60 °C		± 1% maximum of full scale							
Resolution		4μA = 8 counts							
Update rate per module		0.3ms maximum							
Channel-to-channel crosstalk rejection		70dB minimum							
Output default		Hold Last State (default), 4mA (configurable)							

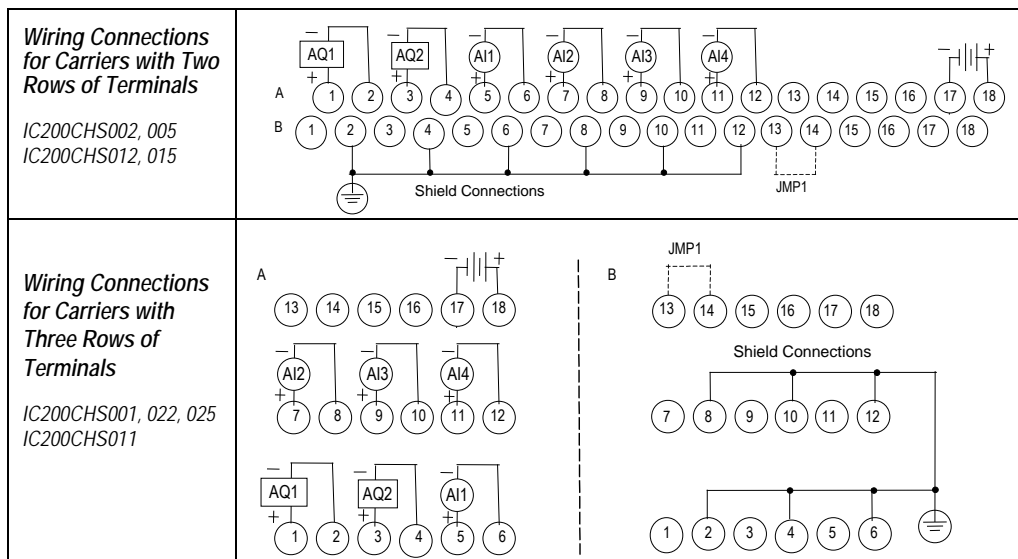
\*\* In the presence of severe RF interference, (IEC1999-4-3, 10V/m), accuracy degraded to ± 1% maximum of full scale. Input accuracy may be degraded an additional ± 0.75% with the introduction of input common mode voltage.

**IC200ALG430**  
**Analog Mixed Module, 12 Bit Input Current 4 Channels and**  
**Output Current 2 Channels**

**Field Wiring**

Terminal assignments for the module are shown below.

Terminal	Connection	Terminal	Connection
A1	I OUT 1	B1	No connection
A2	RET 1	B2	Shield Termination Point
A3	I OUT 2	B3	No connection
A4	RET 2	B4	Shield Termination Point
A5	I IN 1+	B5	No connection
A6	I IN 1-	B6	Shield Termination Point
A7	I IN 2+	B7	No connection
A8	I IN 2-	B8	Shield Termination Point
A9	I IN 3+	B9	No connection
A10	I IN 3-	B10	Shield Termination Point
A11	I IN 4+	B11	No connection
A12	I IN 4-	B12	Shield Termination Point
A13	No connection	B13	JMP1A
A14	No connection	B14	JMP1B
A15	No connection	B15	No connection
A16	No connection	B16	No connection
A17	Field Return	B17	No connection
A18	Field Power	B18	No connection



*IC200ALG430*

*Analog Mixed Module, 12 Bit Input Current 4 Channels and  
Output Current 2 Channels*

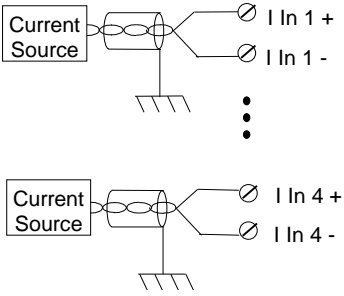
**Jumper Selection**

A jumper on the carrier can be used to select the output default mode. If no jumper is installed on pins B13 and B14 outputs hold their last state (the last commanded value from the backplane) if backplane power or communications are interrupted or the PLC is stopped. With a jumper installed, if such conditions occur outputs default to 4mA. This should only be changed with field power and backplane power removed.

Jumper	Selects
None	Hold Last State
JMP 1	Default to 4mA

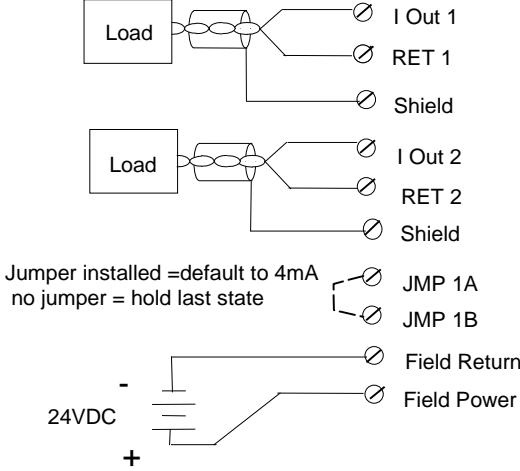
**Wiring Examples**

**Current Inputs**



An external source is needed to power input transceivers.

**Current Outputs**



**IC200ALG430**  
**Analog Mixed Module, 12 Bit Input Current 4 Channels and**  
**Output Current 2 Channels**

***Cable Shield Connections***

Shielded twisted pair cable is recommended for all of the analog channel connections. If possible, the analog input channel connections should be grounded at the source device. If that is not possible, the cable shield must be grounded at the I/O module.

If the module is installed on a Terminal-style I/O Carrier (IC200CHS001, 002, or 005) or a Compact Terminal-style I/O Carrier (IC200CHS022, 025), the cable shield can be connected directly to the carrier per the Field Wiring Table. An Auxiliary I/O Terminal Strip (IC200TBM001, 002, or 005) can also be added to the Terminal-style I/O Carriers to aid in grounding shields. Be sure to ground the Auxiliary I/O Terminal Strip as well if you plan to use it for this purpose.

If the module is installed on a Connector-style I/O Carrier (IC200CHS003), the cable shield can be connected directly to an Interposing Terminal (IC200CHS011, 012, 015). Be sure to ground the Interposing Terminal. It is recommended to use a shielded interposing cable as well between the Interposing Terminal and the Connector Base. A custom shielded cable can be made using the Connector kit (IC200ACC304). In addition, a custom shield braid can be wrapped around standard Interposing Cables (IC200CBL105, 110, 120, 230). If this approach is used be sure to ground the braid.

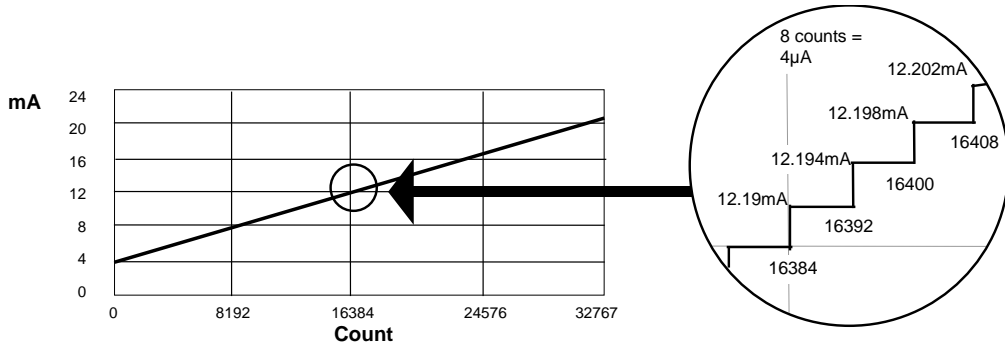
All cable shield connections should be connected to earth ground and be kept as short as practical. The power cable does not need to be shielded.

*IC200ALG430  
Analog Mixed Module, 12 Bit Input Current 4 Channels and  
Output Current 2 Channels*

**Scaling**

The following graphs illustrate the relationship between the input current measured at the field terminals and the data values for the module.

**Count vs Input Current**



The following equation can be used to calculate counts values:

$$\text{Counts} = (\text{Current in mA} - 4\text{mA}) \times (32768 / 16.38\text{mA})$$

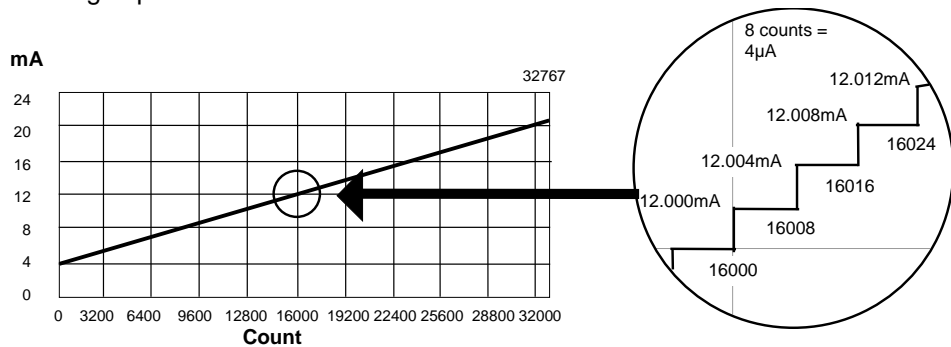
For a change to be seen in the reported count value, input current must be increased by at least 4µA. If the module receives an increase less than 4µA, the previous count value is still reported. For example:

Current	Count
12.190mA	16384
12.192mA	16384
12.194mA	16392

**IC200ALG430**  
**Analog Mixed Module, 12 Bit Input Current 4 Channels and**  
**Output Current 2 Channels**

**Count vs Output Current**

The graph below shows the relationship between the output data that is provided to the module from the backplane, and the actual output current. The range spans between 4mA and 20mA.



The following equation can be used to calculate specific output currents:

$$I_{out} = 4\text{mA} + (\text{count}/32760) \times 16.38\text{mA}$$

The count value must be a multiple of 8. If the module receives a count value that is not a multiple of 8, it rounds the value down to the closest multiple of 8. For example:

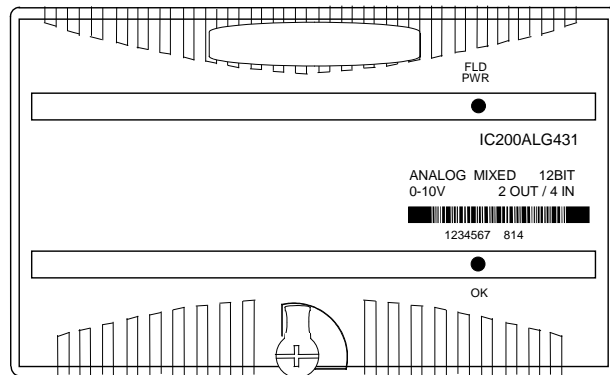
Count	mA
16000	12.000
16007	12.000
16008	12.004



**IC200ALG431**

**Analog Mixed Module, 12 Bit 0 to 10 V DC Input 4 Channels and Output 2 Channels**

Analog mixed module IC200ALG431 provides four 0 to +10 V DC analog inputs and two 0 to +10 V DC analog outputs.



An external 24 V power supply is required for the outputs. For inputs, power for the user's transceivers must be supplied from an external source.

Intelligent processing for this module is performed by the CPU or Network Interface Unit. The module provides 4 words of analog input data and receives 2 words of analog output data.

### **LED Indicators**

The green FLD PWR LED indicates the presence of user-side power for the analog field-side circuits. The green OK LED is on when backplane power is present to the module.

### **Diagnostics**

The module reports a Loss of User Side Power fault for field-side circuits.

### *I/O Defaults*

The module is easily set up with a jumper for the outputs to either hold their last states or default to 0V if backplane power or communications are interrupted or the PLC is stopped. External user power must remain uninterrupted. Outputs remain in their default or last state until the module receives different output data from the backplane, or until field power is removed.

When software-configured, inputs can be configured to hold last state or report a selectable value. When the module is auto-configured using a CPU or NIU that is version 2.x or later, inputs default to 0. If the CPU or NIU is version 1.5 or earlier, the input default matches the jumper-configured output default (0 or Hold Last State).

**IC200ALG431****Analog Mixed Module, 12 Bit 0 to 10 V DC Input 4 Channels and Output 2 Channels****Module Specifications**

<b>Module Characteristics</b>										
Channels		4 single-ended inputs, one group, 2 single-ended outputs, one group								
Module ID		FFFF9024								
Isolation:		250VAC continuous; 1500VAC for 1 minute								
User input to logic (optical) and to frame ground		Not applicable								
Group to group		None								
Channel to channel		None								
LED indicators		FLD PWR LED indicates field power is present OK LED indicates backplane power is present								
Backplane current consumption		5V output: 60mA maximum								
Thermal derating		None								
Configuration parameters		Output default								
Diagnostics		Loss of User Side Power								
<i>Compatibility</i>	<i>PME programming software</i>	<i>CPU 001</i>	<i>CPU 002</i>	<i>CPU 005</i>	<i>CPU E05</i>	<i>DBI 001</i>	<i>EBI 001</i>	<i>GBI 001</i>	<i>PBI 001</i>	
<i>HW, FW vers. FW release</i>	All	AA 1.0	AA 1.5	AA 2.1	AA 2.1	AA 1.1	AA 1.0	AA 1.0	AA 1.0	AA 1.0
<b>External Power Supply</b>										
Recommended range		+18 to +30 V DC (including ripple)								
Current consumption at recommended range		160mA max (including load current)								
12V operation range		9.6 to 15 V DC , 12 V DC nominal (including ripple)								
Current consumption at 12V range		175mA max.(including load current)								
<b>Input Characteristics</b>										
Input voltage:		0 to 10V								
Input Impedance		120kΩ minimum								
Accuracy at 25 °C*		± 0.3% typical of full scale, ± 0.5% maximum of full scale								
Accuracy at 0 to 60 °C		± 1% maximum of full scale								
Resolution:		2.5mV = 8 counts								
Filter response		5.0ms								
Update rate per module		0.4ms								
Common mode voltage		0 V								
Channel-to-channel crosstalk rejection		30dB minimum								
<b>Output Characteristics</b>										
Output voltage		0 to 10.24 V DC								
Load characteristics		Resistive: 5000 Ω minimum Capacitive: 1.0μF maximum								
Accuracy at 25 °C†		± 0.3% typical of full scale, ± 0.5% maximum of full scale								
Accuracy at 0 to 60 °C		± 1% maximum of full scale								
Resolution		2.5mV = 8 counts								
Update rate per module		0.3ms maximum								
Channel-to-channel crosstalk rejection		70dB minimum								
Output default		Hold Last State (configurable), 0 (default)								

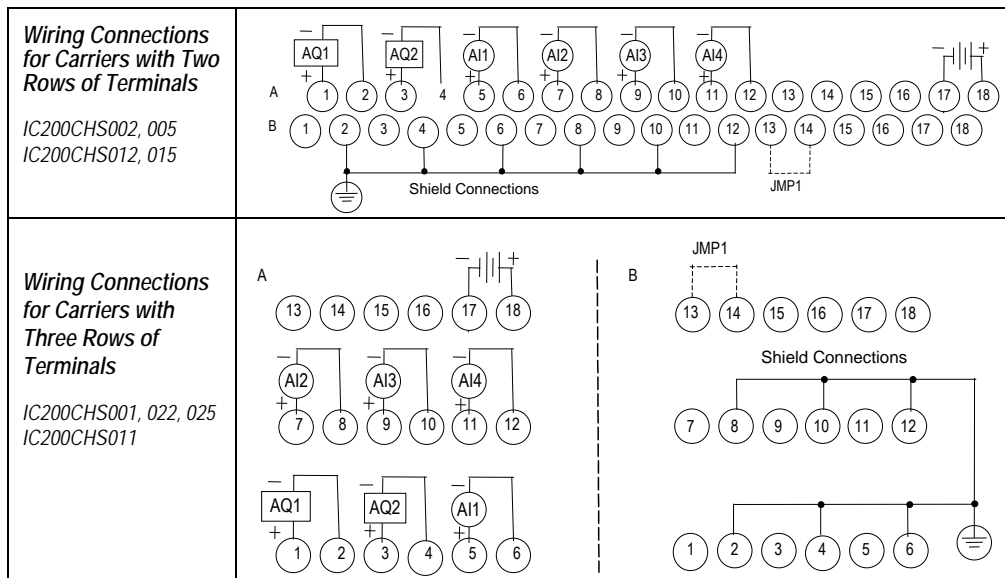
† In the presence of severe RF interference, (IEC 1000-4-3, 10V/m), accuracy may be degraded to ± 1%.

**IC200ALG431**

**Analog Mixed Module, 12 Bit 0 to 10 V DC Input 4 Channels and Output 2 Channels**

**Field Wiring**

Terminal	Connection	Terminal	Connection
A1	V OUT 1	B1	No connection
A2	V OUT Return	B2	Shield Termination Point
A3	V OUT 2	B3	No connection
A4	V OUT Return	B4 <td Shield Termination Point	
A5	V IN 1	B5	No connection
A6	V IN Return	B6	Shield Termination Point
A7	V IN 2	B7	No connection
A8	V IN Return	B8	Shield Termination Point
A9	V IN 3	B9	No connection
A10	V IN Return	B10	Shield Termination Point
A11	V IN 4	B11	No connection
A12	V IN Return	B12	Shield Termination Point
A13	No connection	B13	JMP1A
A14	No connection	B14	JMP1B
A15	No connection	B15	No connection
A16	No connection	B16	No connection
A17	Field Return	B17	No connection
A18	Field Power	B18	No connection



**IC200ALG431**  
**Analog Mixed Module, 12 Bit 0 to 10 V DC Input 4 Channels and Output 2 Channels**

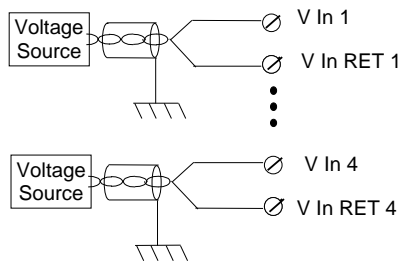
**Jumper Selection**

A jumper on the carrier can be used to select the output default mode. If no jumper is installed on pins B13 and B14 outputs hold their last state (the last commanded value from the backplane) if backplane power or communications are interrupted or the PLC is stopped. With a jumper installed, if such conditions occur outputs default to 0 V. This should only be changed with field power and backplane power removed.

Jumper	Selects
None	Hold Last State
JMP 1	Default to 0

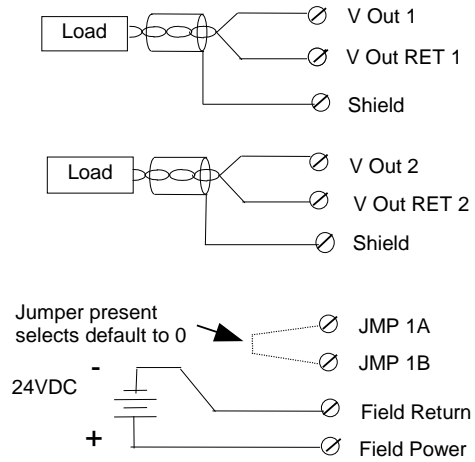
**Wiring Examples**

**Voltage Inputs**



An external source is needed to power input transceivers.

**Voltage Outputs**



### *Cable Shield Connections*

Shielded twisted pair cable is recommended for all of the analog channel connections. If possible, the analog input channel connections should be grounded at the source device. If that is not possible, the cable shield must be grounded at the I/O module.

If the module is installed on a Terminal-style I/O Carrier (IC200CHS001, 002, or 005) or a Compact Terminal-style I/O Carrier (IC200CHS022, 025), the cable shield can be connected directly to the carrier per the Field Wiring Table. An Auxiliary I/O Terminal Strip (IC200TBM001, 002, or 005) can also be added to the Terminal-style I/O Carriers to aid in grounding shields. Be sure to ground the Auxiliary I/O Terminal Strip as well if you plan to use it for this purpose.

If the module is installed on a Connector-style I/O Carrier (IC200CHS003), the cable shield can be connected directly to an Interposing Terminal (IC200CHS011, 012, 015). Be sure to ground the Interposing Terminal. It is recommended to use a shielded interposing cable as well between the Interposing Terminal and the Connector Base. A custom shielded cable can be made using the Connector kit (IC200ACC304). In addition, a custom shield braid can be wrapped around standard Interposing Cables (IC200CBL105, 110, 120, 230). If this approach is used be sure to ground the braid.

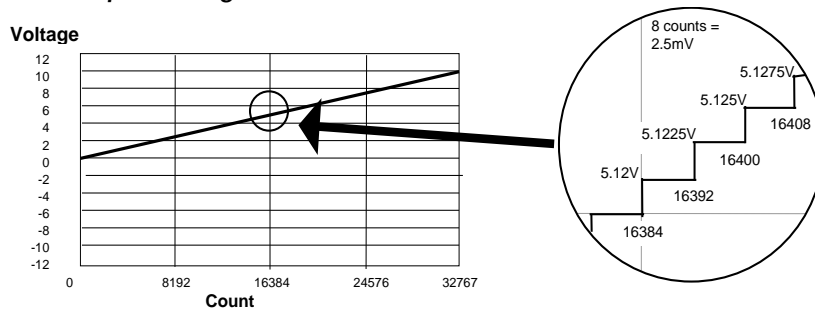
All cable shield connections should be connected to earth ground and be kept as short as practical. The power cable does not need to be shielded.

**IC200ALG431**  
**Analog Mixed Module, 12 Bit 0 to 10 V DC Input 4 Channels and Output 2 Channels**

**Scaling**

The following graphs illustrate the relationship between the voltage applied at the field terminals and the data values for the module.

**Count vs Input Voltage**



The following equation can be used to calculate counts values:

$$\text{Counts} = (\text{Voltage In}) \times (3200)$$

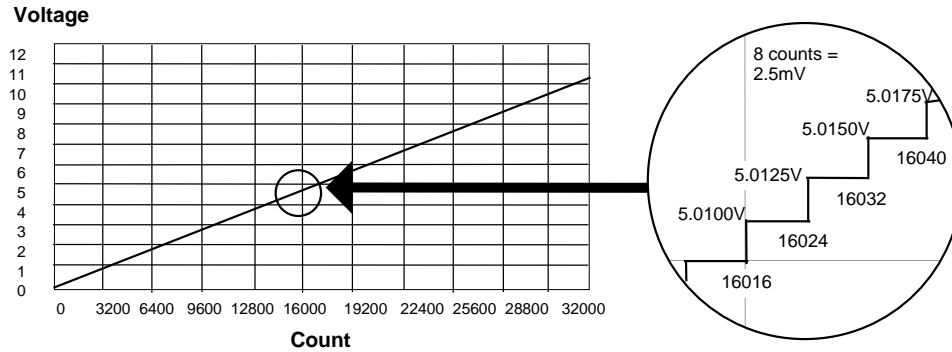
The count value is returned as a multiple of 8. A voltage that would return a count value (using the above equation) which is not a multiple of 8 will return the next highest multiple of 8.

Input Voltage	Count
5.1200	16384
5.1210	16392
5.1220	16392
5.1225	16392

**IC200ALG431**

**Analog Mixed Module, 12 Bit 0 to 10 V DC Input 4 Channels and Output 2 Channels**

*Count vs Output Voltage*



Voltage can be calculated using the following equation:

$$V_{out} = ( \text{analog counts} \times 10.25 ) / 32768 )$$

The count value must be a multiple of 8. If the module receives a count value that is not a multiple of 8, it rounds the value down to the closest multiple of 8. For example:

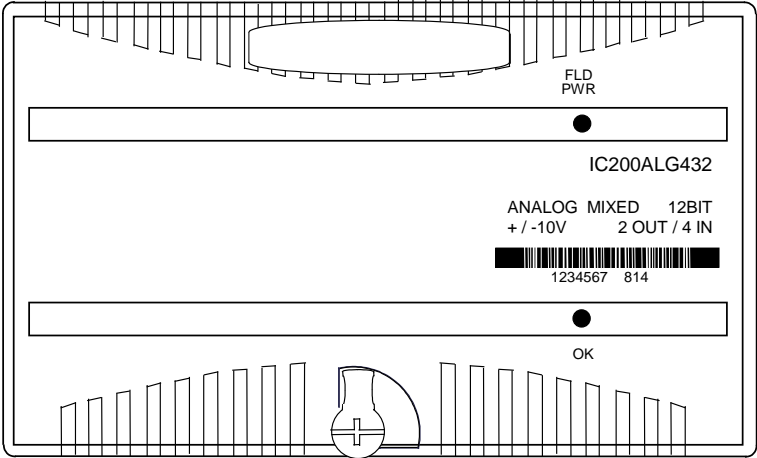
Count	Voltage
16024	5.0125V
16030	5.0125V
16032	5.0150V



**IC200ALG432**

**Analog Mixed Module, 12 Bit  $\pm 10$  V DC Input 4 Channels and Output 2 Channels**

Analog mixed module IC200ALG432 provides four -10 to +10 V DC analog inputs and two -10 to +10 V DC analog outputs.



An external 24V power supply is required for the outputs. For inputs, power for the user's transceivers must be supplied from an external source. Intelligent processing for this module is performed by the CPU or NIU. The module provides 4 words of analog input data and receives 2 words of analog output data.

**LED Indicators**

The green FLD PWR LED indicates the presence of user-side power for the analog field-side circuits. The green OK LED is on when backplane power is present to the module.

**Diagnostics**

The module reports a Loss of User Side Power fault for field-side circuits.

### *I/O Defaults*

The module is easily set up with a jumper for the outputs to either hold their last states or default to 0V if backplane power or communications are interrupted or the PLC is stopped. External user power must remain uninterrupted. Outputs remain in their default or last state until the module receives different output data from the backplane, or until field power is removed.

When software-configured, inputs can be configured to hold last state or report a selectable value. When the module is auto-configured using a CPU or NIU that is version 2.x or later, inputs default to 0. If the CPU or NIU is version 1.5 or earlier, the input default matches the jumper-configured output default (0 or Hold Last State).

**IC200ALG432**

**Analog Mixed Module, 12 Bit  $\pm$  10 V DC Input 4 Channels and Output 2 Channels**

**Module Specifications**

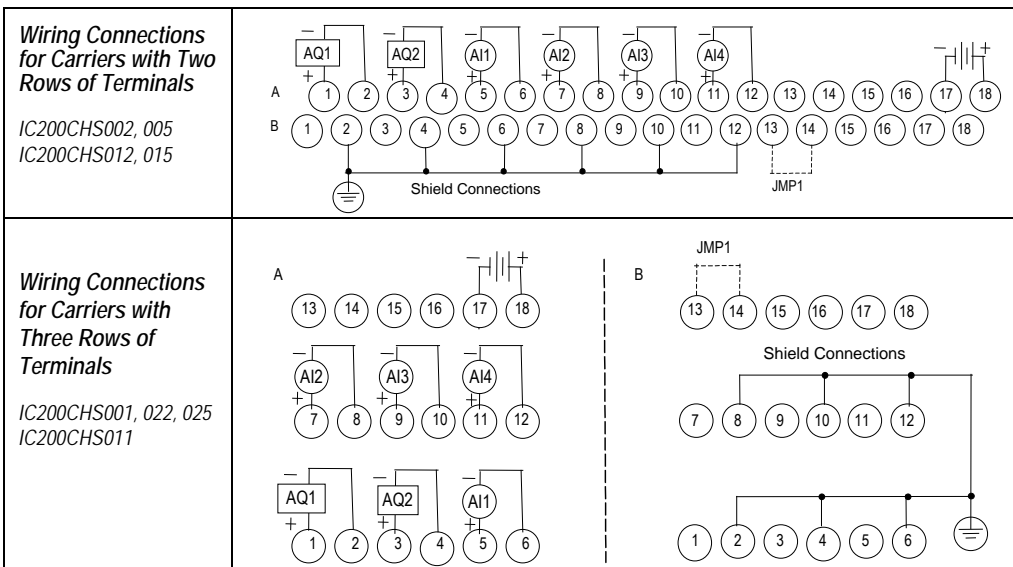
<b>Module Characteristics</b>										
Channels		4 single-ended inputs, one group, 2 single-ended outputs, one group								
Module ID		FFFF9024								
Isolation:		250VAC continuous; 1500VAC for 1 minute								
User input to logic (optical) and to frame ground		Not applicable								
Group to group		None								
Channel to channel										
LED indicators		FLD PWR LED indicates field power is present OK LED indicates backplane power is present								
Backplane current consumption		5V output: 60mA maximum								
Thermal derating		None								
Configuration parameters		Output default								
Diagnostics		Loss of User Side Power								
<i>Compatibility</i>	<i>PME programming software</i>	<i>CPU 001</i>	<i>CPU 002</i>	<i>CPU 005</i>	<i>CPU E05</i>	<i>DBI 001</i>	<i>EBI 001</i>	<i>GBI 001</i>	<i>PBI 001</i>	
<i>HW, FW vers. FW release</i>	All	AA 1.0	AA 1.5	AA 2.1	AA 2.1	AA 1.1	AA 1.0	AA 1.0	AA 1.0	AA 1.0
<b>External Power Supply</b>										
Recommended range		+18 to +30 V DC (including ripple)								
Current consumption at recommended range		160mA max.(including load current)								
12V operation range		9.6 to 15 V DC , 12 V DC nominal (including ripple)								
Current consumption at 12V range		175mA max.(including load current)								
<b>Input Characteristics</b>										
Input voltage:		$\pm$ 10 V DC								
Input Impedance		125 k $\Omega$ minimum								
Accuracy at 25 °C*		$\pm$ 0.3% typ. of full scale, $\pm$ 0.5% max. of full scale								
Accuracy at 0 to 60 °C		$\pm$ 1% maximum of full scale								
Resolution:		2.5mV = 8 counts								
Filter response		5.0ms								
Update rate per module		0.4ms								
Common mode voltage		0 V								
Channel-to-channel crosstalk rejection		30dB minimum								
<b>Output Characteristics</b>										
Output voltage		$\pm$ 10.24 V DC								
Load characteristics		Resistive: 5000 $\Omega$ minimum Capacitive: 1.0 $\mu$ F maximum								
Accuracy at 25 °C <sup>†</sup>		$\pm$ 0.3% typ. of full scale, $\pm$ 0.5% max of full scale								
Accuracy at 0 to 60 °C		$\pm$ 1% maximum of full scale								
Resolution		5mV = 16 counts								
Update rate per module		0.3ms maximum								
Channel-to-channel crosstalk rejection		70dB minimum								
Output default		Hold Last State (default), 0 (configurable)								

<sup>†</sup> In the presence of severe RF interference, (IEC 1000-4-3, 10V/m), accuracy may be degraded to  $\pm$  1%.

**IC200ALG432**  
**Analog Mixed Module, 12 Bit  $\pm 10$  V DC Input 4 Channels and Output 2 Channels**

*Field Wiring*

Terminal	Connection	Terminal	Connection
A1	V OUT 1	B1	No connection
A2	V OUT Return	B2	Shield Termination Point
A3	V OUT 2	B3	No connection
A4	V OUT Return	B4	Shield Termination Point
A5	V IN 1	B5	No connection
A6	V IN Return	B6	Shield Termination Point
A7	V IN 2	B7	No connection
A8	V IN Return	B8	Shield Termination Point
A9	V IN 3	B9	No connection
A10	V IN Return	B10	Shield Termination Point
A11	V IN 4	B11	No connection
A12	V IN Return	B12	Shield Termination Point
A13	No connection	B13	JMP1A
A14	No connection	B14	JMP1B
A15	No connection	B15	No connection
A16	No connection	B16	No connection
A17	Field Return	B17	No connection
A18	Field Power	B18	No connection



*IC200ALG432*

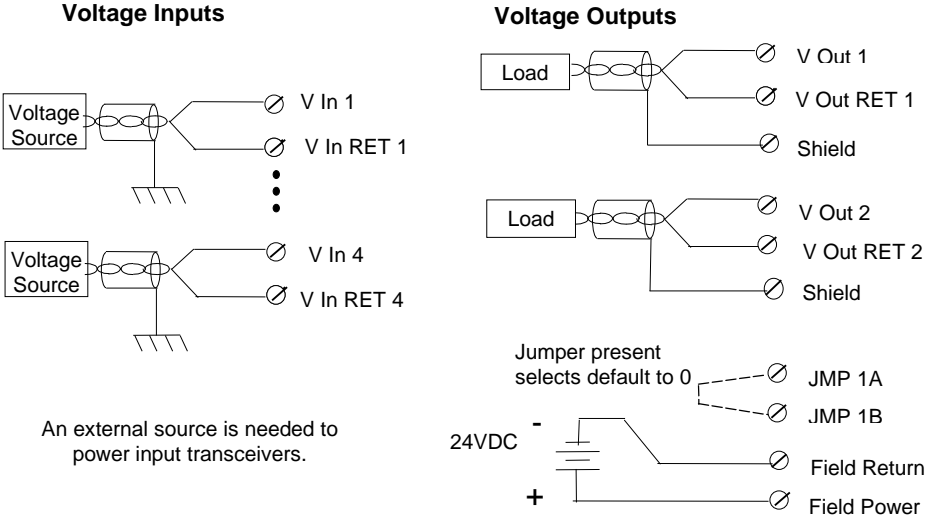
**Analog Mixed Module, 12 Bit  $\pm$  10 V DC Input 4 Channels and Output 2 Channels**

**Jumper Selection**

If no jumper is installed outputs hold their last state (the last commanded value from the backplane) if backplane power or communications are interrupted or the PLC is stopped. With a jumper installed, if such conditions occur outputs default to 0V. This should only be changed with field power and backplane power removed.

Jumper	Default
None	Hold Last State
JMP 1	0V

**Wiring Example**



---

**IC200ALG432**  
**Analog Mixed Module, 12 Bit  $\pm$  10 V DC Input 4 Channels and Output 2 Channels*****Cable Shield Connections***

Shielded twisted pair cable is recommended for all of the analog channel connections. If possible, the analog input channel connections should be grounded at the source device. If that is not possible, the cable shield must be grounded at the I/O module.

If the module is installed on a Terminal-style I/O Carrier (IC200CHS001, 002, or 005) or a Compact Terminal-style I/O Carrier (IC200CHS022, 025), the cable shield can be connected directly to the carrier per the Field Wiring Table. An Auxiliary I/O Terminal Strip (IC200TBM001, 002, or 005) can also be added to the Terminal-style I/O Carriers to aid in grounding shields. Be sure to ground the Auxiliary I/O Terminal Strip as well if you plan to use it for this purpose.

If the module is installed on a Connector-style I/O Carrier (IC200CHS003), the cable shield can be connected directly to an Interposing Terminal (IC200CHS011, 012, 015). Be sure to ground the Interposing Terminal. It is recommended to use a shielded interposing cable as well between the Interposing Terminal and the Connector Base. A custom shielded cable can be made using the Connector kit (IC200ACC304). In addition, a custom shield braid can be wrapped around standard Interposing Cables (IC200CBL105, 110, 120, 230). If this approach is used be sure to ground the braid.

All cable shield connections should be connected to earth ground and be kept as short as practical. The power cable does not need to be shielded.

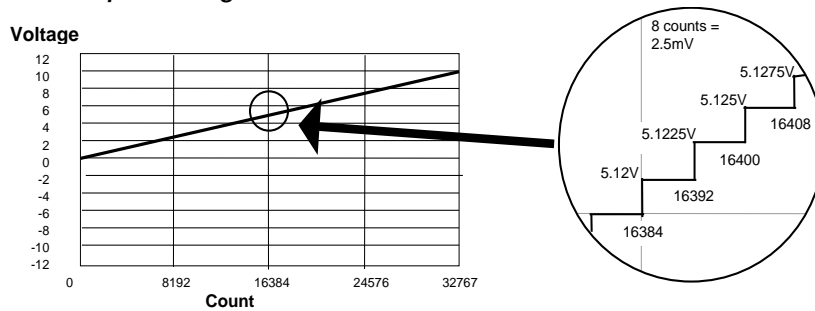
*IC200ALG432*

*Analog Mixed Module, 12 Bit ± 10 V DC Input 4 Channels and Output 2 Channels*

**Scaling**

The following graphs illustrate the relationship between the voltage applied at the field terminals and the data values for the module.

**Count vs Input Voltage**



The following equation can be used to calculate counts values:

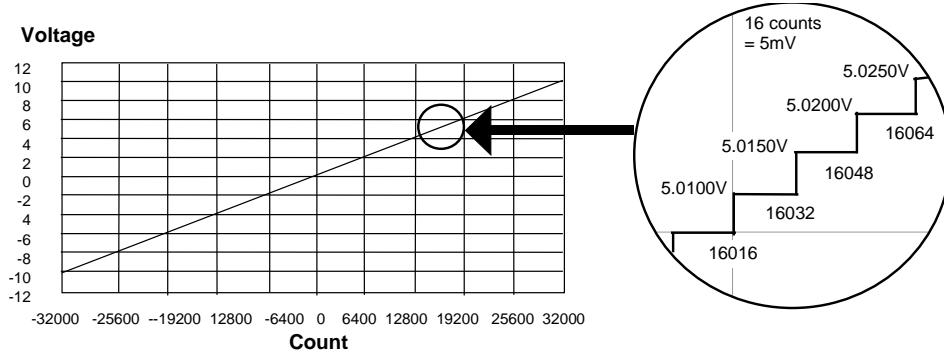
$$\text{Counts} = (\text{Voltage In}) \times (3200)$$

The count value is returned as a multiple of 8. A voltage that would return a count value (using the above equation) that is not a multiple of 8 will return the next highest multiple of 8.

Input Voltage	Count
5.1200	16384
5.1210	16392
5.1220	16392
5.1225	16392

**IC200ALG432**  
**Analog Mixed Module, 12 Bit ± 10 V DC Input 4 Channels and Output 2 Channels**

*Count vs Output Voltage*



Voltage can be calculated using the following equation:

$$V_{out} = ( \text{analog counts} \times 20.5 ) / 65535 )$$

The count value must be a multiple of 16. If the module receives a count value that is not a multiple of 16, it rounds the value down to the closest multiple of 16. For example:

Count	Voltage
16032	5.0150V
16040	5.0150V
16048	5.0200V



Chapter  
**13**

*Mixed Discrete/High-Speed Counter Module*

---

---

This chapter describes the following VersaMax Mixed Discrete Module.

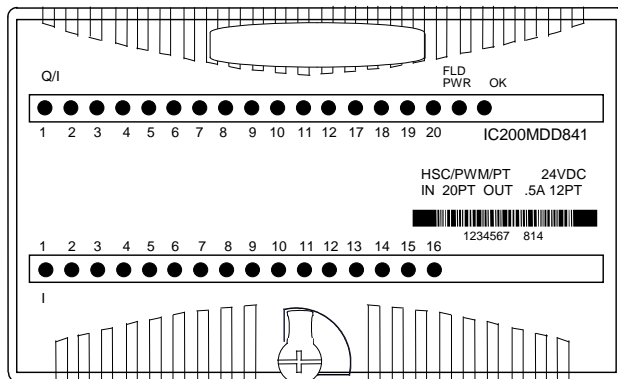
- IC200MDD841 Mixed Module, 24 V DC Positive Logic Input 20 Points / Output 12 Point / (4) High Speed Counter, PWM, or Pulse Train Configurable Points

***IC200MDD841: Mixed Module, 24 V DC Positive Logic Input 20 Points / Output 12 Point / (4) High-speed Counter, PWM, or Pulse Train Configurable Points***

Discrete I/O module IC200MDD841 has twenty 24 V DC positive-logic type inputs and twelve positive-logic 24 V DC 0.5 A outputs.

In its default configuration, the module provides four Type A high-speed counter inputs and outputs plus twelve standard inputs and eight standard outputs.

Each counter provides direct processing of rapid pulse signals up to 80 KHz for industrial control applications such as velocity measurement, material handling, and process control.



When the module is installed in a VersaMax PLC, its inputs and outputs can be re-configured for a wide variety of applications:

The high-speed counter inputs can be set up as standard high-speed inputs, as four type-A counters, as two type A counters plus one A-quad-B counter, or as one type A-quad-B counter with homing capability.

- Four of the outputs can be configured as pulse-width modulated (PWM), pulse train, ramping pulse train, or high speed counter outputs.

When configured for PWM operation, the frequency of each PWM output is selectable in the range of 22Hz to 2 KHz. The % duty cycle of each PWM output can be set from 1 to 100% depending on the frequency of the PWM output. See the PWM Outputs section of this chapter for further details.

When configured as pulse train or ramping pulse train outputs, the sum of frequencies may be up to 5,000 pulses per second. Acceleration and deceleration can be selected from 10 to 1,000,000 p/s<sup>2</sup>.

Power for module operation comes from the backplane. Output devices must be powered by external voltage.

*IC200MDD841*

*Mixed Module, 24 V DC Positive Logic Input 20 Points / Output 12 Point /  
(4) High-speed Counter, PWM, or Pulse Train Configurable Points*

### *LED Indicators*

Individual green field-side LEDs show the on/off status of each point

The green FLD PWR LED indicates the presence of field power for the DC outputs.

The OK LED indicates module status as follows:

- On green indicates normal operation
- Flashing green indicates boot mode or update
- On Amber indicates self diagnostic error
- Off indicates no 3.3 V power present

### *Configuration Parameters*

The module has many features that are selectable by software configuration.

These features include:

- Counter type
- Output stop mode
- Channel function
- Counter output enable
- Counter direction
- Counter mode
- Counter Preload/Strobe selection
- Type-A counter count input edge
- Counter timebase
- High and low limits
- On and off Presets
- Preload registers
- Pulse-train acceleration
- Pulse-train deceleration

**IC200MDD841**

*Mixed Module, 24 V DC Positive Logic Input 20 Points / Output 12 Point /  
(4) High-speed Counter, PWM, or Pulse Train Configurable Points*

**Default Operation**

The default parameters of this module can be used in many applications. In default mode, the module operates as described below.

Inputs 1 - 8 are one group of high-speed counter inputs that operate as:

- Four Type A counters.
- Each counter counts upward
- When a counter reaches its upper limit, it wraps around and starts over.

Inputs 9 - 16 are one group of standard inputs with a common return.

Inputs 17 - 20 are one group of standard inputs with a common return.

Four of the outputs are High-speed Counter outputs. Each High-speed Counter output is dedicated to a corresponding High-speed Counter input.

Eight additional outputs are standard outputs.

The counter outputs use a default ON preset of +32,767, and an OFF preset of 0. If the count reaches the ON preset, the counter's output is turned on. If the count reaches the OFF preset, the counter's output is turned OFF.

When the system is in Stop mode, the High-speed Counter outputs continue to respond to the counter inputs and the standard outputs turn off. Output presets continue to operate as if the CPU/NIU were present, changing state to reflect the counter Accumulators.

In default mode, the module can temporarily change this basic operation in response to up to four commands from the CPU or NIU. These commands can be sent to the module in its regular output data.

- Each counter output can be turned on or off on command.
- Each counter can be reset to 0.
- Each counter's accumulator (current count) register can be loaded with any value from 0 to 32757.
- Each counter's lower and upper limits can be changed.
- Each counter's accumulator can be incremented by a specific amount above its present actual value.
- The count direction can be changed to down (or back to up).
- The timebase for each counter's counts-per-timebase, which measures its rate of counting, can be changed from 1000mS to any value from 10mS to 1000mS.
- Each counter's preload value can be changed

**IC200MDD841**

**Mixed Module, 24 V DC Positive Logic Input 20 Points / Output 12 Point /  
(4) High-speed Counter, PWM, or Pulse Train Configurable Points**

### Module Specifications

<b>Module Characteristics</b>									
Points	20 DC inputs & 12 DC outputs								
Module ID	FFFF9801								
Isolation:	250VAC continuous, 1500VAC for 1 minute								
User I/O to logic (optical) and frame ground	250VAC continuous, 1500VAC for 1 minute								
Point to point	250VAC continuous, 1500VAC for 1 minute								
Group to group									
Indicators	One LED per point shows individual point on/off state FLD PWR indicates field power is present OK LED indicates backplane power is present.								
Backplane current consumption	3.3V output: 130mA, 5V output: 30mA								
External power supply	+24 V DC nominal, +18 to +30 V DC								
Thermal derating	See diagrams								
<b>Compatibility</b>	<i>PME programming software</i>	<i>CPU 001</i>	<i>CPU 002</i>	<i>CPU 005</i>	<i>CPU E05</i>	<i>DBI 001</i>	<i>EBI 001</i>	<i>GBI 001</i>	<i>PBI 001</i>
HW, FW vers. FW release	All	BB 1.1	AA 1.5	AA 2.1	AA 2.1	AA 1.1	AA 1.0	AB 1.1	BB 1.1
<b>High-speed Channels</b>									
Input frequency (Type A Counter)	80KHz maximum								
PWM Output frequency	2 KHz maximum								
Pulse Output frequency	5 KHz maximum								
Counter Output latency	0.5mS max. between output point updates								
<b>Input Characteristics</b>									
Input voltage	+24 V DC nominal, 0 to +30 V DC								
On state voltage	+15.0 to +30.0 V DC								
Off state voltage	0 to +5.0 V DC								
On state current	3.0 to 8.0mA								
Off state current	0 to 0.5mA								
On/off response time	7.0ms max. (6.25μs max. for count inputs and 100μs for Preload/Strobe inputs)								
Count Input Impedance	6.6 kΩ maximum								
Count User input current	5.5mA at +24 V DC								
Standard Input Impedance	9.6 kΩ maximum								
Standard User input current	4.0mA at +24 V DC								
<b>Output Characteristics</b>									
Inrush current	2.0A maximum for 100ms								
Continuous Load Current	0.5A maximum								
Output voltage drop	0.3V maximum								
On/off response time	500μs, maximum								
Protection	no internal fuses								
Diagnostics	13 words of status data								

**IC200MDD841**

**Mixed Module, 24 V DC Positive Logic Input 20 Points / Output 12 Point /  
(4) High-speed Counter, PWM, or Pulse Train Configurable Points**

**Field Wiring**

Terminal assignments for the module are *follows*.

#	4 Type A Counters	2 Type A & 1 Type B	1 Type B2
A1	Counter 1 Output/PWM/PT1	Output 1/PWM/PT1	Output 1/PWM/PT1
A2	Counter 2 Output/PWM/PT2	Type B Counter 2 out/PWM/PT2	Type B2 Counter 2 out/PWM/PT2
A3	Counter 3 Output/PWM/PT3	Type A Counter Output/PWM/PT3	Output 3/PWM/PT3
A4	Counter 4 Output/PWM/PT4	Type A Counter Output/PWM/PT4	Output 4/PWM/PT4
A5	Output 5		
A6	Output 6		
A7	Output 7		
A8	Output 8		
A9	Output 9		
A10	Output 10		
A11	Output 11		
A12	Output 12		
A13	Input 17		
A14	Input 18		
A15	Input 19		
A16	Input 20		
A17	DC- for outputs 1-12 and inputs 17-20		
A18	DC+ for outputs		
B1	Count1	Type B: Phase 2	Type B2: Phase 2
B2	Preload/Strobe 1	not used	not used
B3	Count2	Type B: Phase 1	Type B2: Phase 1
B4	Preload/Strobe 2	Type B: Preload/Strobe	Type B2: Preload/Strobe
B5	Count3	Type A: Count	not used
B6	Preload/Strobe3	Type A: Preload/Strobe	Home Enable
B7	Count4	Type A: Count	not used
B8	Preload/Strobe 4	Type A: Preload/Strobe	Marker
B9	Input 9		
B10	Input 10		
B11	Input 11		
B12	Input 12		
B13	Input 13		
B14	Input 14		
B15	Input 15		
B16	Input 16		
B17	DC- Common for inputs 1- 8		
B18	DC- Common for inputs 9-16		

**IC200MDD841**

**Mixed Module, 24 V DC Positive Logic Input 20 Points / Output 12 Point /  
(4) High-speed Counter, PWM, or Pulse Train Configurable Points**

**Input Connections:** Inputs are positive logic. Current flows from the input device/switch to the input point.

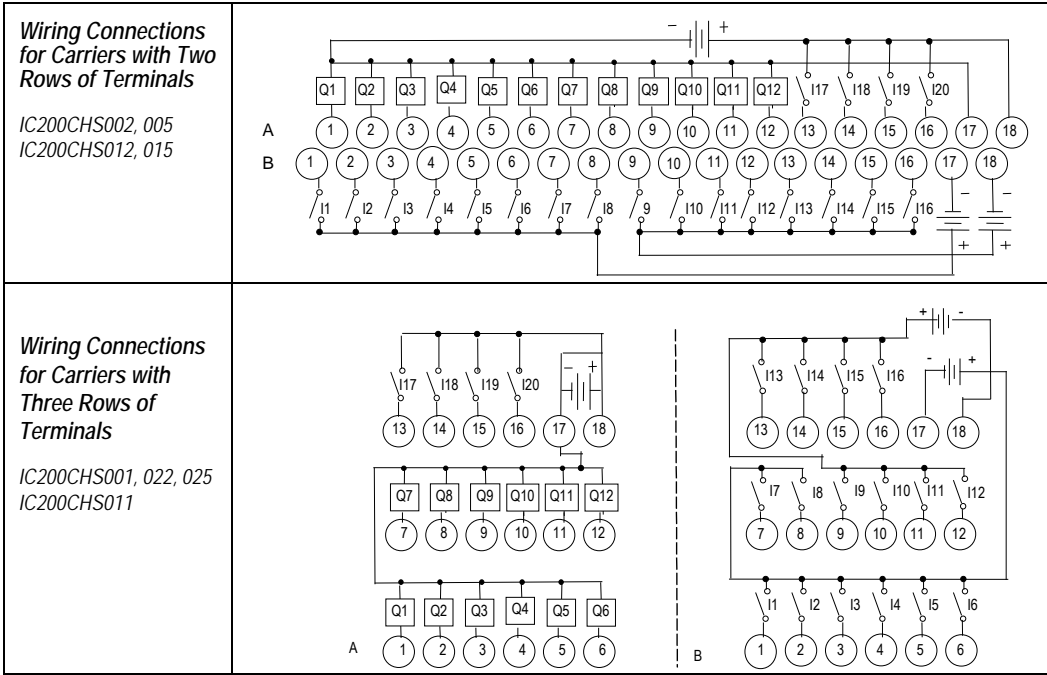
Inputs 9 - 16 are one group of standard inputs with a common return.

Inputs 17 - 20 are one group of standard inputs with a common return.

Inputs 1 - 8 can be one group of fast inputs with a common return, or high speed counter inputs.

**Note:** Because of the fast response time of inputs 1-8, shielded cable properly-terminated at earth ground must be used for connecting to this input group in order to meet IEC 1000-4-4.

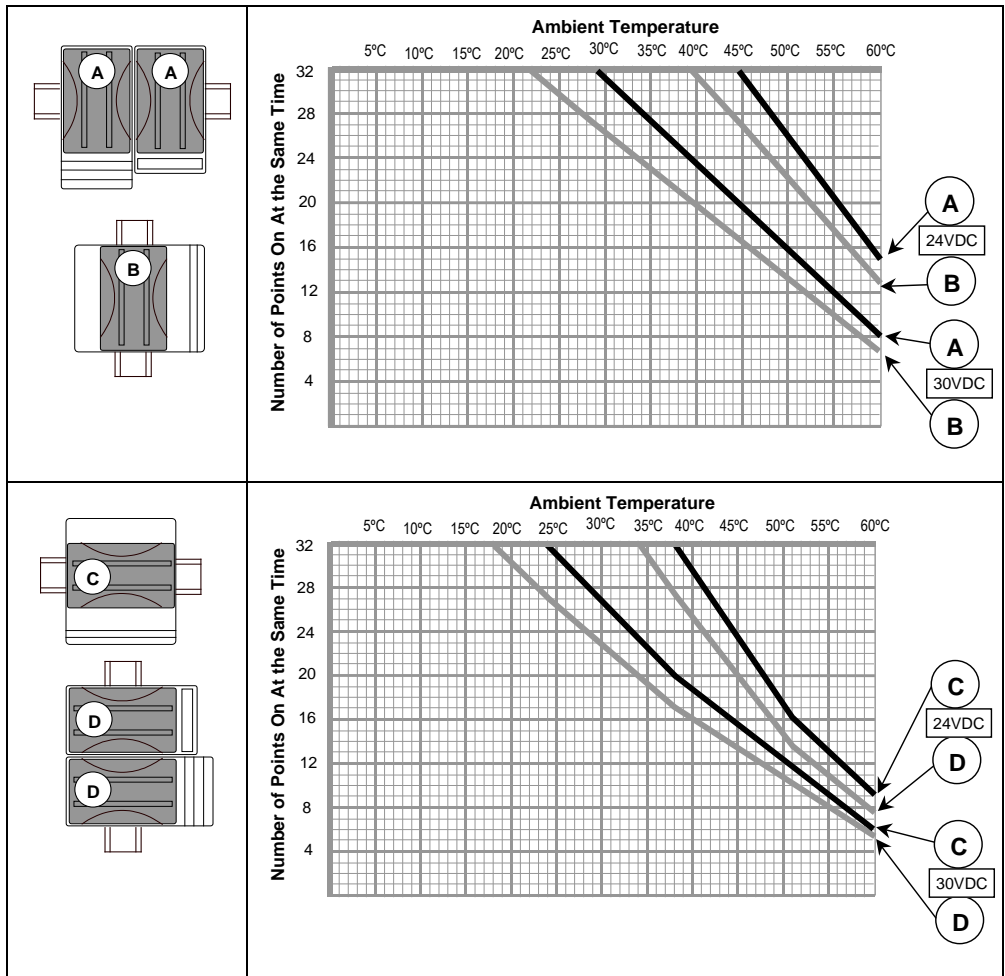
**Output Connections:** Outputs are positive logic Current flows from the output to the load. Four of the outputs are high-speed outputs that can be PWM, pulse train, or high-speed counter outputs.



**IC200MDD841**  
**Mixed Module, 24 V DC Positive Logic Input 20 Points / Output 12 Point /**  
**(4) High-speed Counter, PWM, or Pulse Train Configurable Points**

**Thermal Derating**

The number of points that can be on at the same time depends on the ambient temperature, the external voltage, and the orientation of the module and DIN rail.





*IC200MDD841*

*Mixed Module, 24 V DC Positive Logic Input 20 Points / Output 12 Point /  
(4) High-speed Counter, PWM, or Pulse Train Configurable Points*

### Configurable Features

The module can be software-configured when it is installed in a VersaMax PLC system, or an I/O Station controlled by a Network Interface Unit that is version 2.0 or above.

Parameter	Description	Default	Setting/Value Range
Counter Type	If 1 Type B & 2 Type A is selected, counter #1 parameters are used for the Type B counter (except Counter #1 Direction and Counter #1 Count Input Edge parameters) and counter #4 parameters are used for the Type A counter.	4 Type A	4 Type A counters, 1 Type B & 2 Type A, 1 Type B2
Output Stop Mode	Defines what outputs do if the system is in stop mode. Normal means that HSC outputs continue to respond to the counter inputs and standard outputs turn off. Preset outputs, continue to operate as if the CPU/NIU were present, changing state to reflect the counter Accumulators.  Force Off means all Preset outputs are turned off and remain off until the CPU/NIU returns to normal operation.  Hold Last means Preset outputs retain current levels and do not reflect the counter Accumulators.	Normal	Normal, Force All Outputs Off, Hold
Channel #1/2/3/4 Function	Specifies channel function.	HSC	HSC, PWM, Pulse Train, Standard, Ramp
Counter Output #1/2/3/4 Enable	Specifies if the counter output is enabled. If disabled, the output is used as a standard output.	Enabled	Enabled, Disabled
Counter #1/2/3/4 Direction	(Type A only). Specifies whether count inputs increment or decrement the accumulator.	Up	Up, Down
Counter #1/2/3/4 Mode	Defines whether the counter wraps if the count limit is reached (continuous) or if it stops at the counter limit.	Continuous	Continuous, Single Shot
Counter #1/2/3/4 Preload/Strobe Selection	Specifies the function of the Preload/Strobe Input.	Preload	Preload, Strobe
Counter #1/2/3/4 Count Input Edge for Type A	For Type A counters only, specifies which transition of this input is used. Positive is a low-to-high transition.	Positive	Positive, Negative. Type B and B2 always positive.
Time Base #1/2/3/4	Specifies the timebase for the Counts-per-Timebase register.	1000mS	10mS to 65530mS
High Limit #1/2/3/4	Defines the counter's upper limit. It must be greater than the low limit	+32,767	-32,767 to +32,767
Low Limit #1/2/3/4	Defines the counter's lower limit.	0	-32,768 to +32,766
ON Preset #1/2/3/4	Defines the counter's ON preset. When the count is at or above this value, the HSC output is turned on.	+32,767	-32,768 to +32,767
OFF Preset #1/2/3/4	Defines the counter's OFF preset. When the count is at or above this value, the HSC output is turned off.	0	-32,768 to +32,767
Preload Register #1/2/3/4	This register value is the Preload value for the counter.	0	-32,768 to +32,767
Home Value	The Home Value for the counter.	0	-32,768 to +32,767
Acceleration	Pulse Train acceleration rate from stop to full speed.	1,000,000	10 to 1,000,000
Deceleration	Pulse Train deceleration rate from full speed to stop.	1,000,000	10 to 1,000,000

**IC200MDD841**

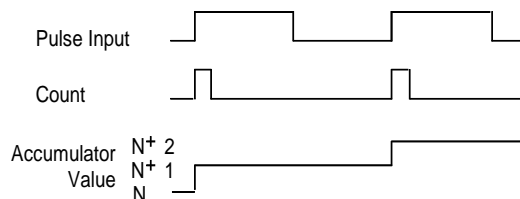
**Mixed Module, 24 V DC Positive Logic Input 20 Points / Output 12 Point /  
(4) High-speed Counter, PWM, or Pulse Train Configurable Points**

**Type A Counters**

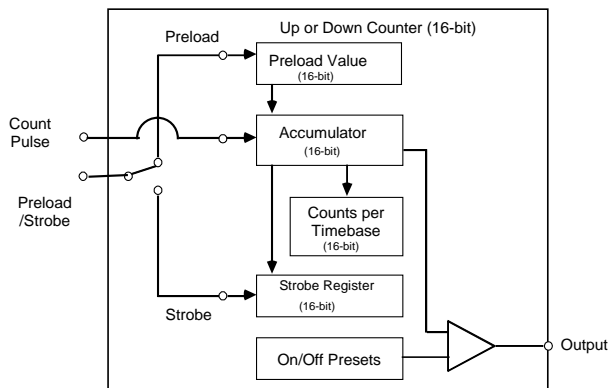
The Type A counter is one 16-bit counter that can count up or down. Configurable high and low limits set the counter's range.

The counter can either count continuously within its limits, or count to either limit then stop (one-shot mode). In continuous counting, the Accumulator (see below) wraps when the count limit is reached and continues counting. For example, if the Count Direction is up, when the count exceeds the High Limit by 1, the Accumulator value wraps to the Low Limit. In one-shot mode, the counter stops at the limit.

In the following example, the counter has been configured to count on the low to high transition of the Pulse input. The Count signal represents an internal signal that indicates where counting occurs with respect to the pulse input.



The Type A counter has an Accumulator register, a Counts-per-Timebase register, a Strobe register, high limit, low limit, and ON/OFF Preset values. These are 16-bit signed numbers. The values selected for the Preload, Accumulator, On Preset, and Off Preset registers must be within the counter limits. The maximum pulse repetition rate of the Preload signal and Strobe must be less than 2 kHz, and the duty cycle for both must be such that the signal is high for at least 250 microseconds.



IC200MDD841

*Mixed Module, 24 V DC Positive Logic Input 20 Points / Output 12 Point /  
(4) High-speed Counter, PWM, or Pulse Train Configurable Points*

The **Count Pulse** input increments or decrements the counter's accumulator. The count input can be configured to be positive or negative edge-sensitive.

The **Preload/Strobe Input** can either preload a value into the accumulator or strobe the accumulator value into a register. Preload/Strobe signals are always positive edge-sensitive.

The **Preload** register contains a predefined value to be transferred to the Accumulator when the Preload/Strobe signal is active. The module sets the Preload flag bit when a Preload occurs. The CPU can clear the flag before the next preload. The Preload input always loads the Accumulator regardless of the state of the Preload flag. The Preload register can be configured to any value within the counter's range.

If **Strobe** is selected, the Accumulator value is placed in the Strobe register when the Preload/Strobe signal is active. The module sets a Strobe flag when a strobe occurs. The PLC or computer can clear this flag before the next strobe. The Strobe input always loads the Strobe register with the Accumulator value regardless of the state of the Strobe flag. Strobe Inputs can be used as Pulse Capture Inputs by using the Strobe status bits as a latch.

The **Accumulator** register contains the current count. It can be set to a value supplied by the PLC or computer. The PLC/computer can also send an adjustment value to the Accumulator register. The adjustment value can be between -128 and +127.

The **Counts-per-Timebase** register contains the number of counts that occurred during the last-completed timebase interval. The number of counts is a 16-bit signed number. The sign indicates up (+) or down (-) counts. The range of the Counts/Timebase register is -32768 and +32767 counts.

The Timebase is a span of time used to measure the rate of counting. For example, the program could monitor the number of counts that occur in 30 seconds. Timebase is configurable in 10mS increments from 10mS to 65530mS. If the timebase is too large, the Counts/Timebase register will lose the overflow values.

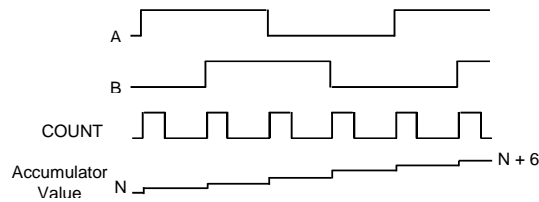
The **On/Off Preset** values determine when the counter output is activated or deactivated.

The **Output** can be activated based on configured On and Off Preset values.

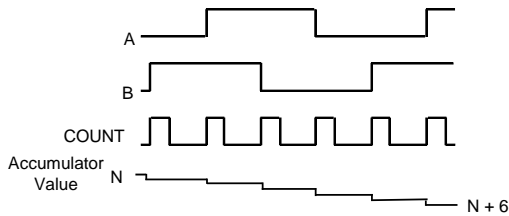
**IC200MDD841**  
**Mixed Module, 24 V DC Positive Logic Input 20 Points / Output 12 Point /**  
**(4) High-speed Counter, PWM, or Pulse Train Configurable Points**

*Type B Counter*

The Type B counter uses two counter input signals for A-Quad-B counting. The phase relationship between counter inputs A and B determines whether the accumulator is incremented or decremented on a transition of either counter input. The count direction is up if A leads B.

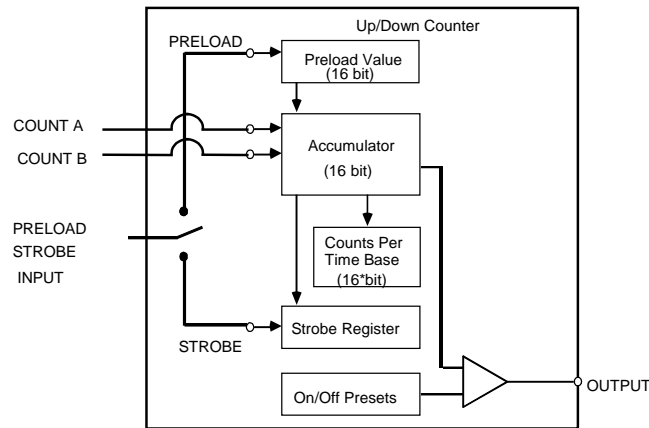


The count direction is down if A lags B.



The Type B counter has a Strobe register, a Preload register, a 16-bit Accumulator, and a Counts-per-Timebase register. These operate as described for Type A counters.

The Type B counter can have one output that is activated based on selected On and Off preset values.



*IC200MDD841*

*Mixed Module, 24 V DC Positive Logic Input 20 Points / Output 12 Point /  
(4) High-speed Counter, PWM, or Pulse Train Configurable Points*

### *Type B2 Counter*

The Type B2 counter uses two counter input signals for A-Quad-B counting and two other counter input signals to perform a homing sequence. The operation of this counter is identical to the Type B counter, except for the homing sequence.

The phase relationship between the counter inputs (A & B) determines whether the accumulator is incremented or decremented on a transition of either counter input. The count direction is up if A leads B. The count direction is down if A lags B.

The Type B counter has a Strobe register, a Preload register, a 16-bit Accumulator, and a Counts-per-Timebase register. These operate as described for Type A counters.

The Type B counter can have one output that is activated based on selected On and Off preset values.

### *Homing Sequence*

The Type B2 counter uses two high-speed inputs to perform homing: *Enable Home* and *Marker*. These inputs are normally assigned to Channel 3 Preload/Strobe and Channel 4 Preload/Strobe. Therefore, when the module is configured as a Type B2 counter, no other counters are available.

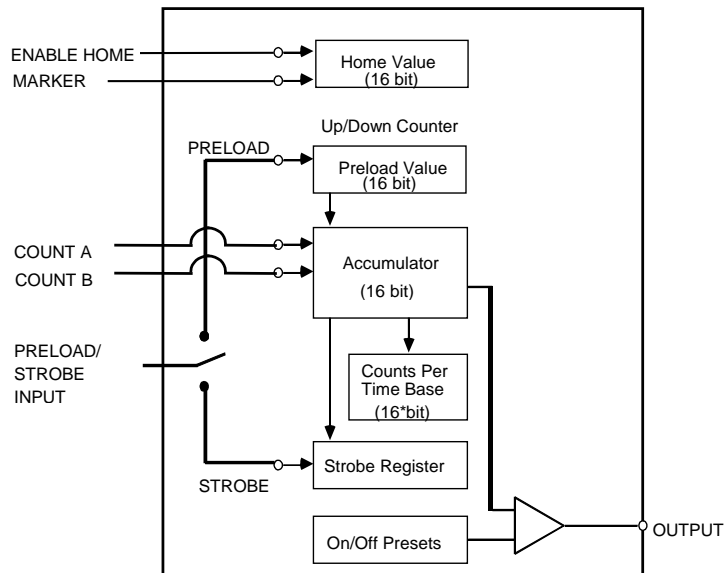
**IC200MDD841**

**Mixed Module, 24 V DC Positive Logic Input 20 Points / Output 12 Point /  
(4) High-speed Counter, PWM, or Pulse Train Configurable Points**

The homing sequence is performed as follows:

1. Optionally, the *Load Home Value %AQ* command can be used to specify a load value that is different from the one specified in the module configuration.
2. The *Home Start %Q* bit can be set.
3. Upon receiving the new %Q bit, the module clears the %I bit, *Home Sequence Complete*.
4. The module waits for the *Enable Home* signal to transition to a high state. This signal may be taken from a limit or proximity switch located near the home position.
5. The next transition to a high state on the *Marker* signal loads the home value into the counter accumulator, This signal may be taken from a position indicator located on an electromechanical assembly.
6. The module disables the home sequence feature and sets the %I bit *Home Sequence Complete*.

The maximum pulse repetition rate of the marker signal and Enable Home must be less than 2 kHz, and the duty cycle for both must be such that the signal is high for at least 250 microseconds.



*IC200MDD841*

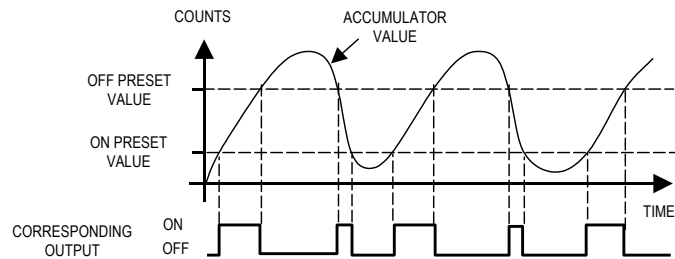
*Mixed Module, 24 V DC Positive Logic Input 20 Points / Output 12 Point /  
(4) High-speed Counter, PWM, or Pulse Train Configurable Points*

**Outputs**

Four of the module's twelve outputs are high speed outputs. These outputs can be configured as high speed counter, PWM, or pulse train outputs.

**Counter Outputs**

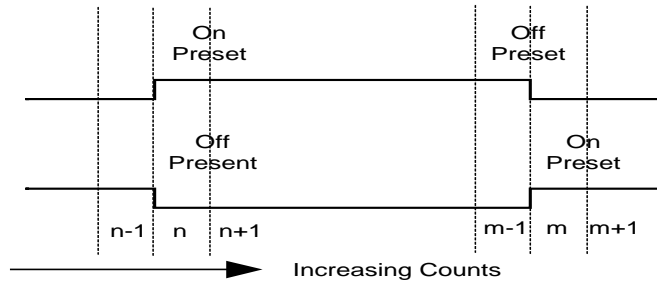
Each counter output has a preset on and off point that must lie between the counter's high and low limits. The output state indicates when the Accumulator value is between the Preset on and off points. For example, using the Type B counter:



If the output is enabled for the HSC channel being used, the output turns on as displayed in the following table:

<b>Preset closest to low limit</b>	<b>Output ON</b>	<b>Output OFF</b>
ON	$\geq$ ON Preset $<$ OFF Preset	$>$ OFF Preset $<$ ON Preset
OFF	$<$ OFF Preset $\geq$ ON Preset	$\leq$ ON Preset $\geq$ OFF Preset

The output can be either on or off when the Accumulator value lies between the Preset points.

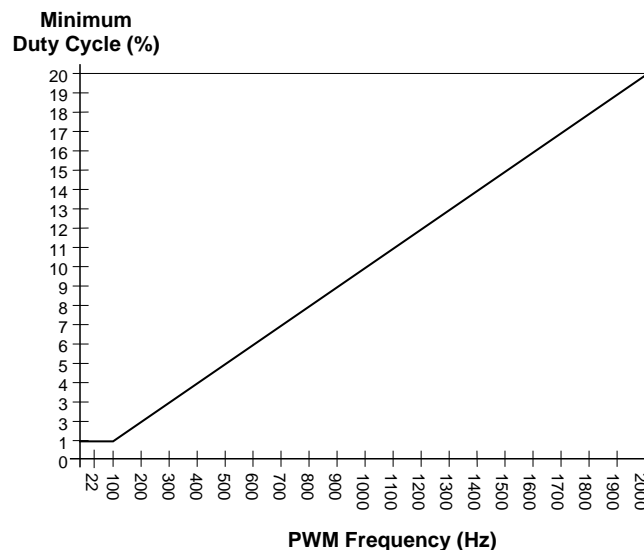


**IC200MDD841**

**Mixed Module, 24 V DC Positive Logic Input 20 Points / Output 12 Point /  
(4) High-speed Counter, PWM, or Pulse Train Configurable Points**

**PWM Outputs**

PWM outputs can be used to control DC and stepper motors. The parameters of PWM output operation are set up using the module's output data. (Refer to *Module Data*.) The frequency of each PWM output can be set in the range of 22 Hz to 2 kHz. The % Duty Cycle of each PWM output can be set from 1 to 100 depending on the frequency of the PWM output. The graph below plots the relationship between the minimum % Duty Cycle of a PWM output versus the frequency of that PWM output. Note that this relationship is based on a default Optical Isolator Correction factor value of 75 $\mu$ S. (See "Optical Isolator Correction Factor" on the next page). For some frequencies, this Optical Isolator Correction factor may be changed to further decrease the minimum duty cycle of that particular frequency.

**Minimum % Duty Cycle versus Frequency for a PWM Output**

A PWM output is enabled by setting its output enable bit (in the module output data) to ON. The output is disabled by setting its Output Enable bit to OFF.

Both frequency and duty cycle can be changed while the output is enabled.



*IC200MDD841*

*Mixed Module, 24 V DC Positive Logic Input 20 Points / Output 12 Point /  
(4) High-speed Counter, PWM, or Pulse Train Configurable Points*

**Pulse Train Outputs**

Pulse Train outputs can be used to control stepper motors. Use of an output for this function is set up as part of the module configuration. When configured as Pulse Train outputs, the pulse frequency is specified in the module's output data, as described later in this section. (*Refer to Module Data.*) The range is 11Hz to 5 kHz. The module's output data is also used to set the number of pulses to be emitted.

The Pulse Train starts when its Output Enable bit is ON and its Pulse Train Start bit transitions from Off to ON. When the Pulse Train starts, its Pulse Train Complete status bit is set OFF. When the Pulse Train is complete, the module sets a status bit that can be read by the CPU or computer.

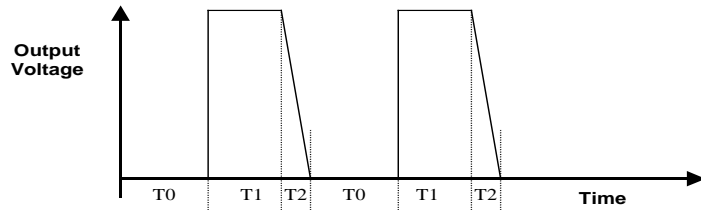
**Note:** Once a Pulse Train is started, it continues until it has completed or until its Output Enable (%Q) bit goes to 0.

**Optical Isolator Correction Factor**

The performance of the optical isolators used in the module varies as the temperature changes. This affects the accuracy of the duty cycle for both PWM and Pulse Train outputs. To compensate for this, the module incorporates a user configurable Optical Isolator Correction Factor. The default Correction Factor is 75µS in duration. The Correction Factor can be changed within the range 0 to 200µS by sending the new value in the module's output data. An example is illustrated below. In the diagram,  $T_0$  is the OFF Time, which is

$$\frac{1}{2f} + Correction, \text{ where } f \text{ is the pulse frequency.}$$

$$T_1 = \frac{1}{2f}, \text{ } T_2 = \text{Optical Isolator Delay, and } T_1 + T_2 = \text{ON Time.}$$



**IC200MDD841**

**Mixed Module, 24 V DC Positive Logic Input 20 Points / Output 12 Point / (4) High-speed Counter, PWM, or Pulse Train Configurable Points**

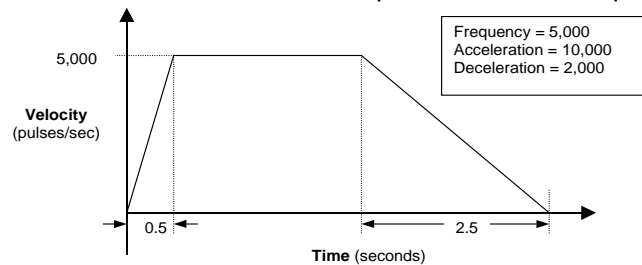
**Ramp Outputs**

When an output's function is configured to be Ramp, acceleration and deceleration factors are applied to the Pulse-Train output. Acceleration and deceleration factors can be specified using Data Commands, as explained later in this section. Both acceleration and deceleration can be selected from the range of  $10 \text{ p/s}^2$  to  $1,000,000 \text{ p/s}^2$ . The default for both is  $1,000,000$ .

Acceleration and deceleration do not need to be the same. Appropriate values depend on the application and the capability of the stepper motor being driven.

A Ramp function begins when the module detects that the channel's Enable Output bit (discrete output bit 21-24, see "Module Data") is On and an Off-to-On transition has occurred on the channel's Start Pulse Train bit (discrete output bit 25-28). At that point, the Pulse Train begins and the channel's Pulse Train Complete bit (discrete input bit 33-36) is set Off. The module outputs the specified number of pulses, in varying pulse widths, to produce a velocity profile similar to the one *follows*. After the last pulse is completed, the module sets the channel's Pulse Train Complete bit Off and begins monitoring the channel's Start Pulse Train bit for another Off-to-On transition.

The Ramp feature results in a Pulse-Train profile like the example *follows*.



The Ramp function continues until all its pulses have been generated or its Output Enable bit (discrete output bit 21-24) changes from On to Off.

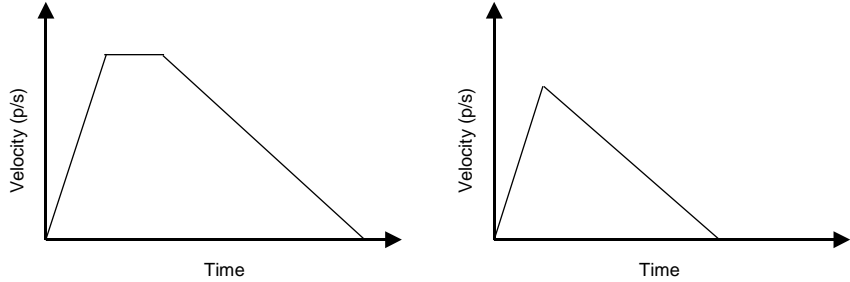
A Pulse Train output can be terminated before the requested number of pulses have been completed by setting its Output Enable bit (discrete output bit 21-24) to Off. If the Enable Output bit transitions from On to Off, the module will either stop the Pulse Train immediately or transition the Ramp output to its deceleration phase—depending on the channel's configuration. If deceleration is configured, the module will output a number of pulses based on: (1) the configured deceleration and (2) the velocity at the time the Enable Output bit goes Off. When the last pulse is completed, the module will set the channel's Pulse Train Complete bit (discrete input bit 33-36) to On.

*IC200MDD841*

*Mixed Module, 24 V DC Positive Logic Input 20 Points / Output 12 Point /  
(4) High-speed Counter, PWM, or Pulse Train Configurable Points*

**Stop Ramp with Deceleration**

The graphics below show how stopping a Ramp early affects the Ramp output if the output is configured for deceleration. The example on the left shows what happens when the Enable Bit is set OFF during the “at velocity” part of the output. The right example shows the impact when the Enable Bit is set OFF during the “ramp up” part of the output.



If the Ramp output is already decelerating when the Enable Output bit transitions from On to Off, there is no change to the operation of the Pulse Train output.

**Configuration**

When the module powers up or receives a new configuration, it automatically sets up all Ramp channels to decelerate when the Output Enable bit goes OFF. If a Ramp output should stop immediately, the channel can be reconfigured with a Data command or a COMREQ. The data block is the same for both:

	MSB	LSB
Command word	0n	3B
Data word (LSW)	dddd	
Data word (MSW)	Always zero	

- “0n” is the channel number from 1 to 4.
- “3B” is the command (in hexadecimal): Load Stop Mode
- “dddd” is the Stop Mode parameter. It can be “1” for Decelerate and “2” for Stop Immediately. If any other value is specified, error code 13 (hex) is placed in the Module Status Word.

**IC200MDD841**  
*Mixed Module, 24 V DC Positive Logic Input 20 Points / Output 12 Point /  
(4) High-speed Counter, PWM, or Pulse Train Configurable Points*

### *Output Defaults*

If the CPU or NIU stops communicating with the High Speed Counter module, so that the module no longer receives fresh output data, counter operation continues normally.

**Normal** (default setting) The inputs continue to be processed by the module. The outputs continue to operate as if the CPU or NIU were present, changing state to reflect the counter Accumulators.

Preset outputs can also be configured to operate in the following modes if the CPU stops providing output data:

**Force Off** All Preset outputs are turned off and remain off until the CPU returns to normal operation.

**Hold Last** The Preset outputs retain current levels and do not reflect the counter Accumulators.

*IC200MDD841*  
**Mixed Module, 24 V DC Positive Logic Input 20 Points / Output 12 Point /  
 (4) High-speed Counter, PWM, or Pulse Train Configurable Points**

**Module Data**

The module provides 40 bits of bit input data and 13 words of word input data:

<b>Bit Inputs (%I)</b>	1 - 20	Standard Inputs #1 to #20
	21 - 24	Strobe Status #1 to 4
	25 - 28	Preload Status #1 to 4
	29 - 32	HSC Output Status #1 to 4
	33 - 36	Pulse Train Complete #1 to 4
	37	Home Complete
	38 - 39	reserved
	40	Status code present in Word Input 1
<b>Word Inputs (%AI)</b>	1	Module Status Code . Status Codes. See the section Command Word Error Definitions at the end of this chapter.
	2 - 5	Counts-per-Timebase #1 to 4.
	6	Accumulator register #1.
	7	Strobe register #1.
	8	Accumulator register #2.
	9	Strobe register #2.
	10	Accumulator register #3.
	11	Strobe register #3.
	12	Accumulator register #4.
	13	Strobe register #4.

**IC200MDD841**

**Mixed Module, 24 V DC Positive Logic Input 20 Points / Output 12 Point /  
(4) High-speed Counter, PWM, or Pulse Train Configurable Points**

The High Speed Counter module receives 32 bits of bit output data and 20 words of word output data. The output bits and output words 1 through 8 are the basic module outputs.

Output words 9-20 have a special function. They can be used to send output commands to the module that temporarily changes module operation. Use of these output commands is described beginning on the next page.

<b>Bit Outputs (%Q)</b>	1 - 12	Standard Outputs #1 to #12
	13 - 16	Clear Strobe Status Bit #1 to 4
	17 - 20	Clear Preload Status Bit #1 to 4
	21 - 24	Enable HSC/PWM/Pulse Train Output #1 to 4
	25 - 28	Start Pulse Train #1 to 4
	29	Home Start
	30 - 31	reserved
<b>Word Outputs (%AQ)</b>	32	Clear Module Status bit
	1	PWM/Pulse Train Frequency #1. PWM output frequency range: 22Hz to 2KHz. Pulse Train pulse frequency range: 11Hz to 5kHz.
	2	PWM Duty Cycle/Number of Pulses #1. PWM duty cycle range: see graph in PWM Outputs section
	3	PWM/Pulse Train Frequency #2.
	4	PWM Duty Cycle/Number of Pulses #2.
	5	PWM/Pulse Train Frequency #3.
	6	PWM Duty Cycle/Number of Pulses #3.
	7	PWM/Pulse Train Frequency #4.
	8	PWM Duty Cycle/Number of Pulses #4.
	9 - 11	Command word 1, words 1 to 3. See next page.
	12-14	Command word 2, words 1 to 3
	15-17	Command word 3, words 1 to 3
	18-20	Command word 4, words 1 to 3

*IC200MDD841*  
**Mixed Module, 24 V DC Positive Logic Input 20 Points / Output 12 Point /  
 (4) High-speed Counter, PWM, or Pulse Train Configurable Points**

**Data Commands**

Temporary operating changes can be made using Data Commands. Data Commands can be sent to the module as part of its analog (AQ) data. A VersaMax PLC CPU can also send Data Commands using the COMREQ function.

**Data Command Formats**

A Data Command uses 3 words of memory. The contents of these 3 words are:

	MSB	LSB	
command word	0n	cc	where: n=counter 1-4 cc=subcommand code dd=data type
data word (LSW)	dd	dd	
data word (MSW)	dd	dd	

In the total analog output (AQ) data used by the module, there is room for 4 of these data commands, which are arranged as follows:

Output Words 9-11	Command 1
Output Words 12-14	Command 2
Output Words 15-17	Command 3
Output Words 18-20	Command 4

There is no limit to the length of time a command can be present in the output words. The module acts on a command only when it detects a change in the command words.

**IC200MDD841**

**Mixed Module, 24 V DC Positive Logic Input 20 Points / Output 12 Point /  
(4) High-speed Counter, PWM, or Pulse Train Configurable Points**

**Data Command Definitions**

Data Commands can be used to temporarily change the counter parameters listed below. These changes are lost when the module is powered down and when a new configuration is stored from the programmer. The bytes in the command word are treated as independent bytes: a counter ID byte and a command code byte. Command words can be entered in hexadecimal or decimal format. In the table, for Type A, n = Counter #1–4. For Type B, n = Counter #2 (only counter 2 is B-type).

<i>Command Word (hex)</i>	<i>Command</i>	<i>Description</i>
0n01	Load Accumulator	Loads any value within a counter's limits directly into the Accumulator. If a count is received at the same time, the count is lost. Example: To set Counter 1 to 1234H, load COMREQ command registers with: Command word: 0101 LS data word: 1234
0n02	Load High Limit	Sets the High and Low limit to any value in the counter range. Move the Low Limit first when shifting down or the High Limit first when shifting up. Loading limits in the wrong order can cause an error. The command is successful if all parameters are within the new range. Example: To change the upper limit of counter 1 to 10000 (2710H), load registers with: Command word: 0102 LS data word: 2710
0n03	Load Low Limit	
0n04	Load Accumulator Increment	Offsets a counter Accumulator by up to +127 or –128 counts. Only the LSB data is used with this command. This can be done at any time, even while the counter is counting at maximum rate. However, if a count is received at the same time the CPU updates the Accumulator value, the count is lost. If the offset causes the counter to exceed its limits, this parameter is rejected. Example: To offset counter 1 by –7 counts, load: Command word: 0104 LS data word: 00F9
0n05	Set Counter Direction	(Type A only) Changes the count direction of a type A counter. Only the LSB of the first data word is used for this command (00 = up, 01 = down). Example: To set the direction of counter 4 to down, load: Command word: 0405 LS data word: 0001
0n06	Load Timebase	Changes the time interval used for the counts/timebase word data. The range is 10 to 1000mS in 10mS intervals. Example: To change the timebase for counter 1 to 600 ms (258H), load: Command word: 0106 LS data word: 0258



*IC200MDD841*

*Mixed Module, 24 V DC Positive Logic Input 20 Points / Output 12 Point /  
(4) High-speed Counter, PWM, or Pulse Train Configurable Points*

<i>Command Word (hex)</i>	<i>Command</i>	<i>Description</i>
0208	Load Home Value	Changes the home value for the Type B2 counter.
0n0B	Load ON Preset	Sets up the output turn on points within the counter range. There is one output associated with each counter. Example: To set counter 1 output to turn on at 5000 (1388H) counts, load: Command Code: 010B LS data word: 1388
0n15	Load OFF Preset	Sets up the output turn off points within the counter range. There is one output associated with each counter. Example: To set counter 1 output to turn off at 12000 (2EE0H) counts, load: Command Code: 0115 LS data word: 2EE0
0n1F	Load Preload	Changes the count value loaded into the counter Accumulator when the Preload input is activated. Example: To make counter 1 start at 2500 (09C4H) counts at its preload signal, load: Command word: 011F LS data word: 09C4
0n3B	Load Stop Mode (or Resume Decelerate Mode)	Changes a Pulse Train output's deceleration to stop the Ramp immediately when the Output Enable bit goes Off. The Ramp function must be enabled. Example: to set up a Pulse Train output for Stop Ramp (0002) operation on ch.1: Command word: 013B LS data word: 0002  The same command can be used to reset the output to Decelerate mode (the default) by entering the value 0001 in the LS data word. Example: reset the same Pulse Train output to Decelerate (0001) operation: Command word: 013B LS data word: 0001

**IC200MDD841**

**Mixed Module, 24 V DC Positive Logic Input 20 Points / Output 12 Point /  
(4) High-speed Counter, PWM, or Pulse Train Configurable Points**

<i>Command Word (hex)</i>	<i>Command</i>	<i>Description</i>
0n3C	Load Acceleration	<p>Changes a Pulse Train output's acceleration. The Ramp function must be enabled. Both acceleration and deceleration can be selected from the range of 10 p/s<sup>2</sup> to 1,000,000 p/s<sup>2</sup>. The default for both is 1,000,000.</p> <p>In the acceleration and deceleration commands, the data value is a 32-bit number. These are the ONLY Data Commands that should have any value other than 0 in the MS data word.</p> <p>Example: to change the acceleration rate of Pulse Train output 1 to 200,000 (30D40H), load:            Command word: 013C            LS data word: 0D40            MS data word: 0003</p>
0n3D	Load Deceleration	<p>Changes a Pulse Train output's deceleration. The Ramp function must be enabled.</p> <p>Example: to change the deceleration rate of Pulse Train output 1 to 2,000 (700H), load:            Command word: 013D            LS data word: 700</p>
0n3E	Load Correction	<p>Sets the change (in microseconds) that should be applied to the duty cycle of a Pulse Train output to compensate for the slow turn-off time of the optical isolator circuit (default to 75µs). The range is 0 to 200 microseconds.</p> <p>Example: to change the duty cycle of Pulse Train output 1 to 100 (64H), load:            Command word: 013E            LS data word: 64</p>

*IC200MDD841*

*Mixed Module, 24 V DC Positive Logic Input 20 Points / Output 12 Point /  
(4) High-speed Counter, PWM, or Pulse Train Configurable Points*

**Using the COMREQ Function to Send Data Commands**

The VersaMax PLC CPU can use the COMREQ function to send Data Commands to the High Speed Counter module. These commands are all 6 bytes in length. The command data must be placed in the correct order (in a *command block*) in CPU memory before the command is executed. Program logic should be set up to assure that the command is sent to the module once, not repeatedly. This function is effective only on counters that are enabled.

**Command Block**

The format for Data Commands is as follows:

	MSB	LSB	
command word	0n	cc	where: n=counter 1-4 cc=subcommand code dd=data type
data word (LSW)	dd	dd	
data word (MSW)	dd	dd	

The command block used to send Data Commands is composed of 10 words as follows. All values are hexadecimal unless otherwise indicated. Note that if the command block is not set up correctly, unexpected operation may occur. The command block can be placed in any word-oriented area of memory that is not reserved.

<b>Location</b>	<b>Data</b>	<b>Description</b>
%R0001	0004	Should be 0004
%R0002	0000	Reserved (must be zero)
%R0003	nnnn	Status Data type (0008 = R, 000A=AI, 000C=AQ, 0010=I, 0012=Q)
%R0004	nnnn	Start location of COMREQ Status word
%R0005	0000	Reserved (must be zero)
%R0006	0000	Reserved (must be zero)
%R0007	0003	HSC application request (always 3)
%R0008	nnnn	Command word
%R0009	nnnn	LS data word
%R0010	nnnn	MS data word

**IC200MDD841**  
**Mixed Module, 24 V DC Positive Logic Input 20 Points / Output 12 Point /**  
**(4) High-speed Counter, PWM, or Pulse Train Configurable Points**

### Command Word Error Responses

If the module receives an invalid command parameter in a Command Word, it returns the following information in the first word of its word input (AI) data:

<b>Error Code(hex)</b>	<b>Commands</b>	<b>Description</b>
0	All (Unless COMREQ)	No Error
0x11	N/A	Unknown command word
0x12	Load High/Low Limit	Invalid Low or High limit value
0x13	Load Stop Mode/Reset Decelerate Mode	Invalid value. Must be 1 (decelerate) or 2 (stop).
0x14	Load Acceleration	Acceleration too low. Must be $\geq 10$ .
0x15	Load Acceleration	Acceleration too high. Must be $\leq 1,000,000$
0x16	Load Deceleration	Deceleration too low. Must be $\geq 10$ .
0x17	Load Deceleration	Deceleration too high. Must be $\leq 1,000,000$
0x21	All	Invalid Channel
0x22	Load High/Low Limit	New limit places Preload value out of range
0x52	Load High/Low Limit	New limit places On Preset out of range
0x62	Load High/Low Limit	New limit places Off Preset out of range
0x72	Load High/Low Limit	New limit places Accumulator value out of range
0x81	Load Accumulator, Load Accumulator Increment	Accumulator value is out of range
0x91	Load Preload	Preload value is out of range
0xC1	Load On Preset	On Preset value is out of range
0xD1	Load Off Preset	Off Preset value is out of range
0xE1	Set Counter Direction	Invalid direction value
0xF0	Load Timebase	Invalid Timebase
0xF1	Load Home Value	Home Value is out of range

The format for the Module Status Word is:

<b>MSB</b>		<b>LSB</b>
Source of the command: 1=AI data, Command Word 1 2= AI data, Command Word 2 3= AI data, Command Word 3 4= AI data, Command Word 4 5=COMREQ	Channel (1-4): The module channel the Command Word data was intended for.	Error Code, listed above

If a COMREQ was used, the error code alone is also returned in the COMREQ Status Word. A COMREQ returns a 1 in the case of no error.

Chapter  
**14**

## *Temperature Sensing Modules*

---

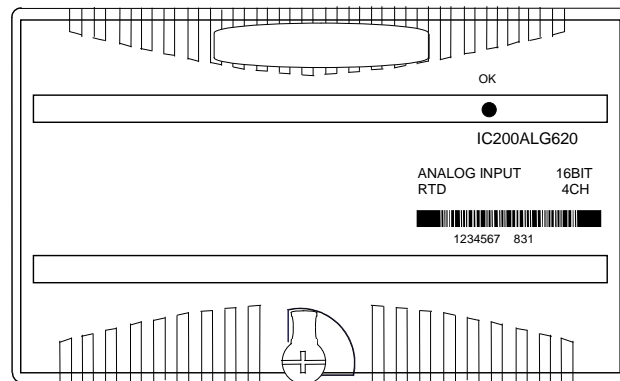
---

This chapter describes the following temperature-sensing VersaMax analog input modules:

- IC200ALG620 Analog Input, 16 Bit RTD, 4 Channels
- IC200ALG630 Analog Input, 16 Bit Thermocouple, 7 Channels

*IC200ALG620*  
*Analog Input, 16 Bit RTD, 4 Channels*

The VersaMax Analog Input RTD Module (IC200ALG620) is an intelligent module that accepts input signals from up to 4 RTD input devices and provides input data with 16 bits of resolution.



No external power supply is required for this module. The excitation current for the RTDs is provided by the module, which automatically matches the excitation current to each configured RTD type.

The RTD Analog Input Module accepts inputs from 4 independent 3-wire and/or 4-wire platinum, nickel, nickel/iron, or copper RTDs.

Module features include:

- Selectable resistance measurements in tenths of  $\Omega$ , tenths of  $^{\circ}$  Fahrenheit, or tenths of  $^{\circ}$ Celsius
- Individual channel configuration
- Selectable resistance ranges: 0 – 500  $\Omega$  and 0 – 3000  $\Omega$
- Selectable RTD input as resistance or temperature (Celsius or Fahrenheit)
- Reports high/low, underrange/overrange, open wire and input short alarms.
- Two data acquisition rates based on 50 Hz and 60 Hz line frequencies
- Configurable channel activation

---

<i>IC200ALG620</i> <i>Analog Input, 16 Bit RTD, 4 Channels</i>
---

### *LED Indicators*

The OK LED indicates module status:

- On green indicates normal operation
- Flashing green indicates boot mode or update
- Flashing amber indicates self-diagnostic error
- Off indicates no 3.3V backplane power

### *Diagnostics*

The module reports over/under range, open wire, non-volatile memory storage, high/low alarm, and input short diagnostics to the I/O Fault Table.

### *Calibration*

The module automatically performs A/D calibration at powerup. Automatic calibration is then repeated periodically to compensate for changes in the ambient temperature.

### *Host Interface*

The RTD Input module provides 4 words of analog input data.

### *Compatibility*

This module is compatible with:

- VersaMax PLC CPU version IC200CPU001-BC firmware version 1.20 or later
- Genius NIU version IC200GBI001-AB Firmware version 1.10 or later
- Profibus NIU version IC200PBI001-BB firmware version 1.10 or later
- DeviceNet NIU version IC200DBI001-AA Firmware version 1.10 or later
- Ethernet NIU version IC200EBI001-AA Firmware version 1.00 or later

**IC200ALG620**  
**Analog Input, 16 Bit RTD, 4 Channels**

**Module Specifications**

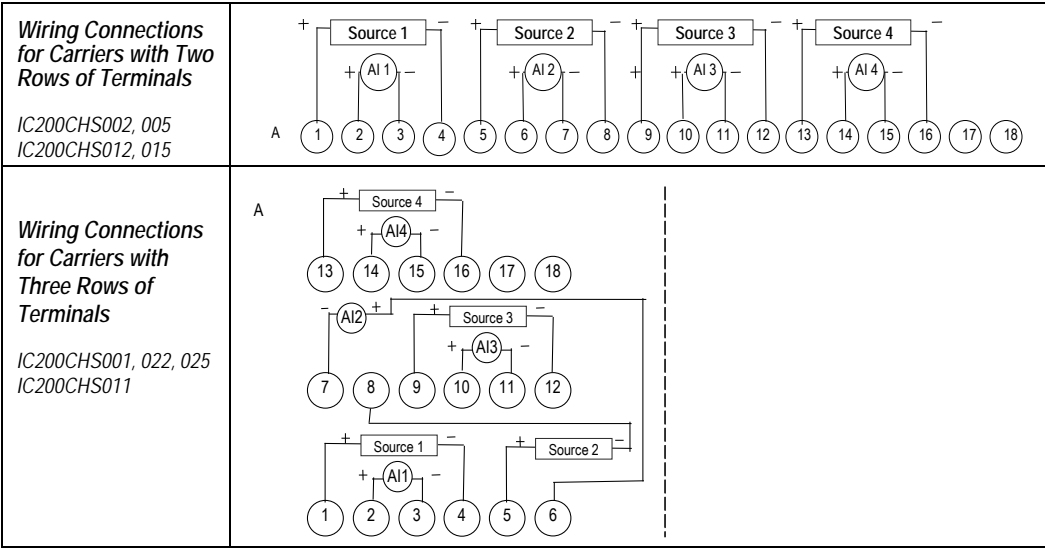
<b>Module Characteristics</b>									
Channels	Four 3-wire and/or 4-wire RTDs								
Module ID									
Isolation:									
User input to logic (optical) and to frame ground	250VAC continuous; 1500VAC for 1 minute								
Group to group	Not applicable								
Channel to channel	50VDC								
LED indicators	OK LED: green indicates backplane power is present. Amber indicates module fault.								
Backplane current consumption	5V output: 125mA maximum. 3.3V output: 125mA								
External power supply	None								
Thermal derating	None								
Configuration parameters	See configuration table								
Diagnostics	Over/under range, open wire, non-volatile memory storage fault, wiring fault, high/low alarm, input short								
Update rate	60 Hz: approximately 210 milliseconds per channel 50 Hz: approximately 230 milliseconds per channel								
Normal mode rejection	60dB, at 50/60 Hz, 100% span								
Common mode rejection	120 dB at 50/60Hz, 100 ohm imbalance								
Common mode voltage	3V maximum								
Normal mode voltage	5V maximum								
Digital Resolution	15 bits plus sign								
Operating temperature range	0 to 60 °C ambient								
<b>Compatibility</b>	<i>PME programming software</i>	<i>CPU 001</i>	<i>CPU 002</i>	<i>CPU 005</i>	<i>CPU E05</i>	<i>DBI 001</i>	<i>EBI 001</i>	<i>GBI 001</i>	<i>PBI 001</i>
<i>HW, FW vers. FW release</i>	All	BC 1.2	AA 1.5	AA 2.1	AA 2.1	AA 1.1	AA 1.0	AB 1.1	AB 1.1
<b>Input Characteristics</b>									
RTD types	25, 100, and 1000 ohm platinum 10, 50, and 100 ohm copper 100 and 120 ohm nickel 604 Ω nickel/iron								
Resistance ranges	0 to 500 Ω 0 to 3000 Ω								
Accuracy, at 25° C on voltage measurement: on temperature measurement:	±0.15% on resistance measurement ±0.15% on RTD (temperature) measurement								
Temperature sensitivity (0° to 60°C)	±0.004% of reading, +/–1.5µV per °C referred to input								
Maximum lead resistance	50 Ω per lead. Modules prior to version –DC, firmware revision 1.1, are limited to 5 Ω per lead.								



**IC200ALG620**  
**Analog Input, 16 Bit RTD, 4 Channels**

**Field Wiring**

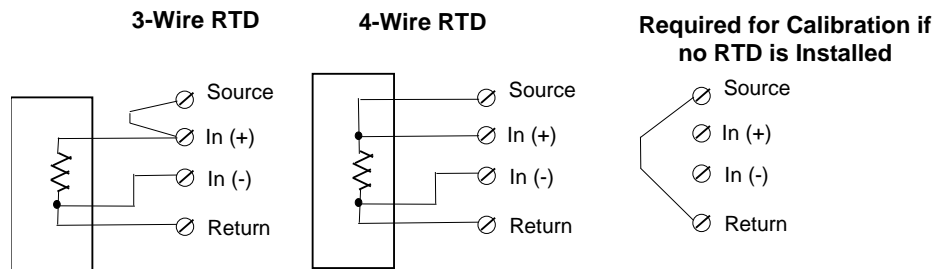
Terminal	Connection	Terminal	Connection
A1	Source 1	B1	No connection
A2	In (+) 1	B2	Shield Termination Point
A3	In (-) 1	B3	No connection
A4	Return 1	B4	Shield Termination Point
A5	Source 2	B5	No connection
A6	In (+) 2	B6	Shield Termination Point
A7	In (-) 2	B7	No connection
A8	Return 2	B8	Shield Termination Point
A9	Source 3	B9	No connection
A10	In (+) 3	B10	Shield Termination Point
A11	In (-) 3	B11	No connection
A12	Return 3	B12	Shield Termination Point
A13	Source 4	B13	No connection
A14	In (+) 4	B14	Shield Termination Point
A15	In (-) 4	B15	No connection
A16	Return 4	B16	No connection
A17	No connection	B17	No connection
A18	No connection	B18	No connection



**IC200ALG620**  
**Analog Input, 16 Bit RTD, 4 Channels**

### Wiring Examples

The following illustration shows connections for 3-wire and 4-wire RTDs. No loop power is required for this module. The excitation current for the RTDs is provided by the module, which automatically matches the excitation current to each configured RTD type.



### Cable Shield Connections

If possible, the cable should be grounded at the source device. If that is not possible, the cable shield must be grounded at the I/O module. This can be done using an Auxiliary I/O Terminal (IC200TBM001, 002, or 005).

If the module is installed on a Terminal-style I/O Carrier (IC200CHS001, 002, or 005), shield connections can be made on an Auxiliary I/O Terminal that is attached to the I/O carrier.

If the module is installed on a Compact Terminal-style I/O Carrier (IC200CHS022, 025), shield connections can be made on an Auxiliary I/O Terminal that is mounted near the I/O carrier. Be sure to ground the Auxiliary I/O Terminal Strip if you plan to use it for this purpose.

If the module is installed on a Connector-style I/O Carrier (IC200CHS003), the cable shield can be connected directly to an Interposing Terminal (IC200CHS011, 012, 015). Be sure to ground the Interposing Terminal. It is recommended to use a shielded interposing cable as well between the Interposing Terminal and the Connector Base. A custom shielded cable can be made using the Connector kit (IC200ACC304). In addition, a custom shield braid can be wrapped around standard Interposing Cables (IC200CBL105, 110, 120, 230). If this approach is used be sure to ground the braid.

**IC200ALG620**  
**Analog Input, 16 Bit RTD, 4 Channels**

**Configurable Parameters**

The default parameters of the RTD Input module can be used in many applications. The module can be software-configured when it is installed in a VersaMax PLC system or an I/O Station controlled by a NIU that is version 2.0 or above.

Module Parameter	Description	Default	Choices
Analog Input Data Length	Word length of the module's analog input data.	4	0–4
Analog Input Data Reference	Starting offset for the module's analog input data.		user selectable
Line Frequency	Specifies the line frequency.	60 Hz	50 Hz, 60 Hz
Channel Active	Specifies if the channel should return data and alarms. If a channel is "inactive" space is still allocated for it.	Active	Inactive (off), Active (on)
Units	The conversion type for each RTD.	Deg C	tenths of $\Omega$ , tenths of $^{\circ}\text{C}$ , or tenths of $^{\circ}\text{F}$
RTD Type	The type of RTD used for each channel.	100 PT 385	10 PT, 25 PT, 25.5 PT 392, 100 PT 385, 100 PT 3902, 100 PT 392, 100 PT 3923, 100 PT 3916, 1K PT 375, 10 CU, 10 CU 427, 50 CU 427, 100 CU 427, 100 NI, 100 NI 618, 120 NI 672 604 NI/FE 518, 1K NI/FE 527, 500 Ohm, 3000 Ohm
Wire Type	The type of field wiring for each RTD.	3 Wire	3 Wire, 4 Wire
Alarm Low	The low alarm limit for the channel, in engineering units.	-2000	-32,768 to +32,767
Alarm High	The high alarm limit for the channel, in engineering units.	8000	-32,768 to +32,767
Nominal Resistance	An optional resistance adjustment, in tenths of $\Omega$ .	0	0 to 3276.7
Channel Default Input	Specifies analog input returned upon error (including open circuit errors).	0	$\pm$ 3276.7

**IC200ALG620**  
**Analog Input, 16 Bit RTD, 4 Channels***Module Features**Channel Active*

Each channel can be configured as either active or inactive.

If a channel is inactive, it is not scanned and a value of 0 is returned by the module.

*Input Units*

Inputs can be measured as tenths of  $\Omega$ , tenths of  $^{\circ}\text{C}$ , or tenths of  $^{\circ}\text{F}$ . The default is tenths of  $^{\circ}\text{C}$ . The measurable ranges for each type of input units are displayed in the following figure.

Units Selected	Integer Ranges	Engineering Units Ranges
Tenths of Degrees	-32767 to +32767	-3276.7 $^{\circ}$ to +3276.7 $^{\circ}$
Tenths of $\Omega$	0 to 65535	0 $\Omega$ to 6553.5 $\Omega$

*Low Alarm Limit and High Alarm Limit*

Each input channel can have a low alarm limit and a high alarm limit. If an input reaches one of its limits, the module reports the actual value and reports an alarm fault in the I/O Fault Table. Alarms do not stop the process or change the value of the input.

Alarm limits can be set anywhere over the dynamic range of the signal. The range for each is -32,768 to +32,767. The high alarm limit must be greater than the low alarm limit. If alarm reporting is not wanted, alarm limits can be set beyond the dynamic range of the signal so they will never be activated.

**IC200ALG620**  
**Analog Input, 16 Bit RTD, 4 Channels**

**Input Selection to Include RTD Type**

Each input channel can have a different RTD type. The module supports the RTD types listed below. If the actual RTD resistance does not match a defined type, an adjustment factor can be configured in tenths of  $\Omega$ .

Selection	Comments	Selection	Comments
25.5 PT 392	25.5 Ohm Platinum, $\alpha = .00392$ at 0°C Lab Std	9.035 CU 427	9.035 Ohm Copper, at 25°C, $\alpha = .00427$
100 PT 385	100 Ohm Platinum, DIN43760, $\alpha = .00385$	50 CU 427	50 Ohm Copper, $\alpha = .00427$
100 PT 3902	100 Ohm Platinum, $\alpha = .003902$	100 CU 427	100 Ohm Copper, $\alpha = .00427$
100 PT 392	100 Ohm Platinum, $\alpha = .00392$ IPTS-68	100 NI 618	100 Ohm Nickel At 0°C, DIN43760, $\alpha = .00618$
100 PT 3923	98.13 Ohm Platinum, $\alpha = .003923$	120 NI 672	120 Ohm Nickel, at 0°C, $\alpha = .00672$
100 PT 3916	100 Ohm Platinum, $\alpha = .003916$	604 NI/FE 518	604 Ohm Nickel/Iron, at 0°C, $\alpha = .00518$
1K PT 375	1 KOhm Platinum, $\alpha = .00375$	500 OHM	Select UNITS of 1/10 $\Omega$
10 CU	10 Ohm Copper, at 25°C, IPTS-68	3000 OHM	Select UNITS of 1/10 $\Omega$

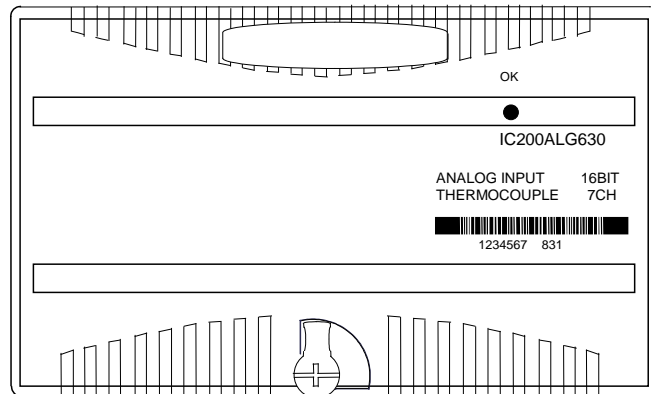
**RTD Limits**

The following table lists the  $\Omega$  and temperature limits for different RTD types.

RTD Type	Low $\Omega$ Limit	High $\Omega$ Limit	Low Temp. °C	High Temp. °C
10 Ohm Copper at 25°C	6.13600	14.8200	-75.00	150.00
10 Ohm Platinum at 25°C	7.02000	37.2599	-70.00	1000.00
1 KOhm Platinum, $\alpha = .00375$	199.4880	2754.620	-200.00	500.00
100 Ohm Platinum $\alpha = .00385$	27.01	389.936	-180.0	850.0
100 Ohm Platinum, $\alpha = .003902$	93.5400	135.000	-17.7777	99.9999
100 Ohm Platinum IPTS68 (PA)	26.5	327.744	-200.0	630.0
100 Ohm Platinum SAMA-RC21-4 (PC)	26.5	311.874	-200.0	600.0
100 Ohm Platinum JISC-1604-'81	26.5	323.780	-200.0	620.0
25.5 Ohm Platinum Lab Std (PJ)	4.50	83.575	-200.0	630.0
9.035 Ohm Copper (CA)	6.05	16.400	-100.0	260.0
50 Ohm Copper (CB/2)	28.379	105.787	-100.0	260.0
100 Ohm Copper (CB)	56.757	211.574	-100.0	260.0
100 Ohm Nickel (NB)	69.520	223.221	-60.0	180.0
120 Ohm Nickel (NA)	66.600	380.310	-80.0	260.0
604 Ohm Nickel/Iron (FA)	372.789	1318.722	-100.0	204.0

### *IC200ALG630* *Analog Input, 16 Bit Thermocouple, 7 Channels*

The Thermocouple Analog Input Module (IC200ALG630) is an intelligent module that accepts 7 independent thermocouple or millivolt inputs.



The module receives power from the backplane power supply. No external power source is required.

Each input channel can be configured to report millivolts ranges as 1/100 of millivolts, or thermocouple inputs as linearized temperature in tenths of °Celsius or Fahrenheit, with or without cold junction compensation.

#### ***LED Indicators***

The OK LED indicates module status:

- On green indicates normal operation
- Flashing green indicates boot mode or update
- Flashing amber indicates self-diagnostic error
- Off indicates no 3.3V backplane power

#### ***Diagnostics***

The module reports over/under range, open thermocouple, non-volatile memory storage, high/low alarm and thermistor error diagnostics to the I/O Fault Table.

#### ***Calibration***

The module automatically performs A/D calibration at powerup. Automatic calibration is then repeated periodically to compensate for changes in the ambient temperature.

### *Module Operation*

The Thermocouple Input Module accepts seven inputs from thermocouples and converts them to digital values. The module supports a variety of thermocouple types.

The module converts each analog voltage into a binary (15 bits plus a sign bit) value representing tenths (1/10) of °Celsius or Fahrenheit. The result is read by the module's microprocessor. The microprocessor determines if the input is over or under its configured range, or if an open thermocouple condition exists. Each input can be configured to report data as millivolt or temperature (tenths of °Celsius or Fahrenheit) measurements. When thermocouple inputs are measured, the module can be configured to monitor the thermocouple junction temperature and correct the input value for cold junction. If the module is configured to measure millivolts, the result of the analog-to-digital conversion is a value reported in hundredths (1/100) of millivolts (625mV range reports tenths of millivolts).

The module automatically performs A/D calibration at powerup. Automatic calibration is then repeated periodically to compensate for changes in the ambient temperature. New calibration values are filtered into the current calibration values.

### *Host Interface*

The Thermocouple Input module uses the following data types:

- 7 words of analog input data.
- 7 optional words of analog output data.

The module exchanges data in the same manner as other types of I/O modules: it provides all its input data when requested.

### *Compatibility*

This module is compatible with:

- VersaMax PLC CPU version IC200CPU001-BC firmware version 1.20 or later.
- Genius NIU version IC200GBI001-AB Firmware version 1.10 or later
- Profibus NIU version IC200PBI001-BB firmware version 1.10 or later
- DeviceNet NIU version IC200DBI001-AA Firmware version 1.10 or later
- Ethernet NIU version IC200EBI001-AA Firmware version 1.00 or later

**IC200ALG630**  
**Analog Input, 16 Bit Thermocouple, 7 Channels**

**Module Specifications**

<b>Module Characteristics</b>									
Channels		Seven thermocouple or millivolt inputs							
Module ID									
Isolation:		250VAC continuous; 1500VAC for 1 minute							
User input to logic (optical) and to frame ground		250VAC continuous; 1500VAC for 1 minute							
Group to group		Not applicable							
Channel to channel		None							
LED indicators		OK LED: green indicates backplane power is present. Amber indicates module fault.							
Backplane current consumption		5V output: 125mA maximum. 3.3V output: 125mA maximum.							
External power supply		None							
Thermal derating		None							
Diagnostics		over/under range, open thermocouple, non-volatile memory storage, high/low alarm, thermistor error							
<i>Compatibility</i>	<i>PME programming software</i>	<i>CPU 001</i>	<i>CPU 002</i>	<i>CPU 005</i>	<i>CPU E05</i>	<i>DBI 001</i>	<i>EBI 001</i>	<i>GBI 001</i>	<i>PBI 001</i>
<i>HW, FW vers. FW release</i>	All	BC 1.2	AA 1.5	AA 2.1	AA 2.1	AA 1.1	AA 1.0	AB 1.1	AB 1.1
<b>Input Characteristics</b>									
Thermocouple types		J, K, T, S, R, none (used for mV inputs)							
Spans (+/-)		19.5mV, 39mV, 78.125mV, 156.25mV, 312.5mV, 625mV							
Converter resolution		15 bits + sign							
Cold junction compensation		If used, reference junction temperature is measured at thermocouple termination using a precision thermistor, or supplied by system, or by fixed configuration value.							
Cold junction temperature error		±0.25 degree Celsius (local measurement). To reduce temperature transients, thermocouple terminations should not be installed in the same cabinet as high heat-dissipation assemblies.							
Conformity error		±0.3 degree Celsius, ±0.5 degree Fahrenheit.							
Accuracy, at 25° C									
on voltage measurement:		±0.2%							
on temperature measurement:		± 0.15%							
Temperature sensitivity (0° to 60°C)		±0.004% of reading, ±1.5µV per °Celsius referred to input							
Normal mode rejection		60dB, at 50/60 Hz, 100% span							
Common mode rejection		120 dB at 50/60Hz, 100 ohm imbalance							
Common mode voltage		3 V DC maximum							
Maximum voltage between channels		50V							
Normal mode voltage		5 V DC maximum							
Update rate		60 Hz: approximately 60 milliseconds per channel 50 Hz: approximately 70 milliseconds per channel							



**IC200ALG630**  
**Analog Input, 16 Bit Thermocouple, 7 Channels**

**Configurable Parameters**

The default parameters of the Thermocouple Input module can be used in many applications. The module can be software-configured when it is installed in a VersaMax PLC system, or an I/O Station controlled by a NIU that is version 2.0 or above.

Module Parameter	Description	Default	Choices
Analog Input Data Length	Word length of the module's analog input data.	7	1 to 7
Analog Input Data Reference	Starting offset for the module's analog input data.		user selectable
Analog Output Data Length	Word length of the module's optional Reference Compensation data.	0	0 to 7
Analog Output Data Reference	Starting offset for the module's optional Reference Compensation data.		user selectable
Line Frequency	Specifies the line frequency. The module uses this data to control the sampling rate.	60 Hz	50 Hz, 60 Hz
Suppress Open Thermocouple	Determines whether or not the module will suppress Open Thermocouple diagnostics on the input data.	No	Yes, No
Channel Active	Specifies if the channel should return data and alarms. If a channel is "inactive" space is still allocated for it.	Active	Inactive (off) Active (on)
Engineering Units	Specifies how the module will report input values	1/10 °C	Millivolts, 1/10 °C, 1/10 ° F
Thermocouple Type	The type of thermocouple present on each channel.	J	None, J, K, T, S, R
Range	For millivolt inputs only, the range for each channel in millivolts.	625	19.53, 39.06, 78.125, 156.25, 312.5, 625.
R J Type	Specifies how or whether the channel will perform Cold Junction compensation.	Local	Local, Remote, Fixed, None
Alarm Low	The low alarm limit for the channel, in engineering units.	-2000	-32,768 to +32,767
Alarm High	The high alarm limit for the channel, in engineering units.	8000	-32,768 to +32,767
Reference Junction Value	Specifies a reference value, in engineering units, if the RJ Type, Fixed, is selected.	250	-32,768 to +32,767
Correction Factor	Specifies optional amount to be added to compensated and linearized input value when a Conversion Type in degrees has been configured.	0	-32,768 to +32,767
Channel Default Input	Specifies analog input returned upon error (including open circuit errors).	0	±32,767
Cold Junction Default		250	±32,767

**IC200ALG630**  
**Analog Input, 16 Bit Thermocouple, 7 Channels**

### Module Features

#### Channel Active

Each channel can be configured as either active or inactive. If a channel is inactive, the filtering, scaling, calibration, and alarm checks are omitted for that channel, and a value of 0 is returned for the channel. The reference parameter for the analog input data returns the byte length and is independent of the number of active channels.

#### Low Alarm Limit and High Alarm Limit

Each input channel can have a low alarm limit and a high alarm limit. If an input reaches one of its limits, the module reports the actual value and reports an alarm fault in the I/O Fault Table. Alarms do not stop the process or change the value of the input. Alarm limits can be set anywhere over the dynamic range of the signal. The range for each is  $-32,768$  to  $+32,767$ . The high alarm limit must be greater than the low alarm limit. If alarm reporting is not wanted, alarm limits can be set beyond the dynamic range of the signal so they will never be activated.

#### Thermocouple Limits

The following table lists millivolt and temperature limits for applicable thermocouple types.

TC Type	Low mV Limit	High mV Limit	Low Temperature Limit ((C)	High Temperature Limit (C)
J	-8.0960	57.9420	-210.00	1000.00
K	-5.8910	54.8069	-200.00	1370.00
T	-5.6030	20.2520	-200.00	390.00
S	-0.1940	18.5040	-40.00	1750.00
R	-0.1880	20.8780	-40.00	1750.00

### *Cold Junction Compensation*

The Thermocouple module provides four choices for Cold Junction Compensation.

- **No Cold Junction Compensation:** This is used for millivolt inputs or if cold junction is maintained at 0 °C.
- **Remote Cold Junction Compensation:** With this option, cold junction is measured externally and provided to the module from the application, via the module's analog output (word output) data. If the module has multiple thermocouples that are configured for remote compensation, the same compensation value must be used by each.
- **Fixed Cold Junction Compensation:** This option uses a fixed compensation value, defined in engineering units, which is provided in configuration parameter *Reference Junction Value*.
- **Local Cold Junction Compensation:** The best way to provide local compensation is with an Interposing Thermocouple I/O Terminals (IC200CHS014), which has a built-in thermistor. Using an Interposing Carrier allows the thermocouple connections to be placed farther away from the I/O modules in the system, which helps shield thermocouple connections from module heat.

If Local Cold Junction Compensation is configured and an Interposing Thermocouple I/O Terminals unit is not used, a separate thermistor must be installed directly at the module's I/O Carrier. The thermistor must be that supplied in kit # IC690ACC905. The thermistor must be installed at the carrier's thermistor (+) and (-) terminals (the thermistor itself does not have (+) and (-) markings; its orientation does not matter). **Note:** If Local Compensation is selected but an Interposing Thermocouple I/O Terminals or local thermistor is not used, erroneous temperatures may be reported and a thermistor error will be reported in the fault table.

### *Range Selection*

The module is configurable for any of six different millivolt ranges (+/-): 19.5mV, 39mV, 78.125mV, 156.25mV, 312.5mV, and 625mV. All but the last provide input readings in hundredths of millivolts. For the 625mV range, inputs are in tenths of millivolts. When used to read millivolts, the Thermocouple Type configuration parameter must be set to "none".

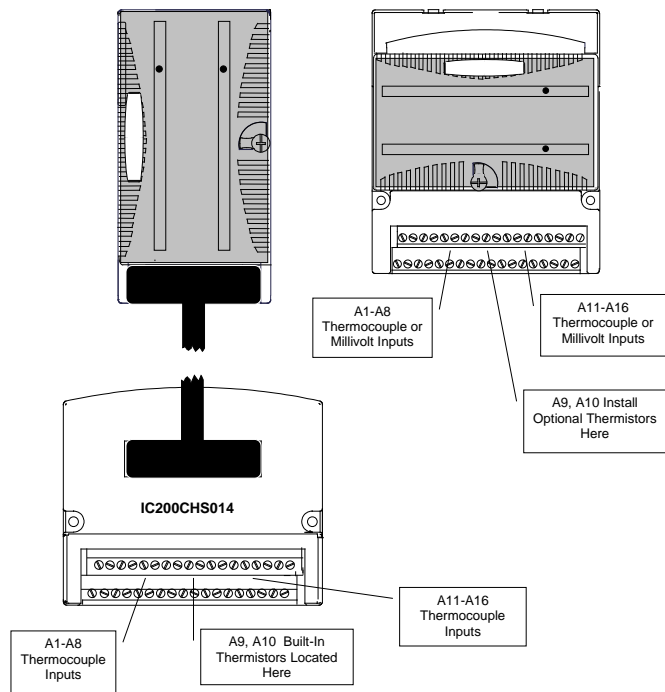
---

**IC200ALG630**  
**Analog Input, 16 Bit Thermocouple, 7 Channels*****Installation Instructions***

The preferred installation technique is to mount the Thermocouple Module on a VersaMax Connector-style I/O Carrier (IC200CHS003) and connect thermocouples to an Interposing Thermocouple I/O Terminals (IC200CHS014). The Interposing Thermocouple-style I/O Carrier provides both box-style wiring terminals and a built-in thermistor for Local Cold Junction Compensation. It connects to the Connector-Style Carrier via cable as displayed in the following figure. This allows the thermocouple connections to be located away from the I/O modules in the system.

However, it is also possible to mount the Thermocouple Module on one of the terminal-style carriers (box-style, spring-style, compact-style, or barrier-style) and provide Local Cold Junction Compensation by using a kit that includes the correct type of thermistor (IC690ACC905). Both methods are displayed in the following figure. The thermistor kit must be installed on the A9 and A10 terminals of the carrier.

If the module will only be used to measure millivolt inputs, not thermocouple inputs, it can be mounted on any type of I/O Carrier. The thermistor terminals A9 and A10 cannot be used as millivolt input terminals.

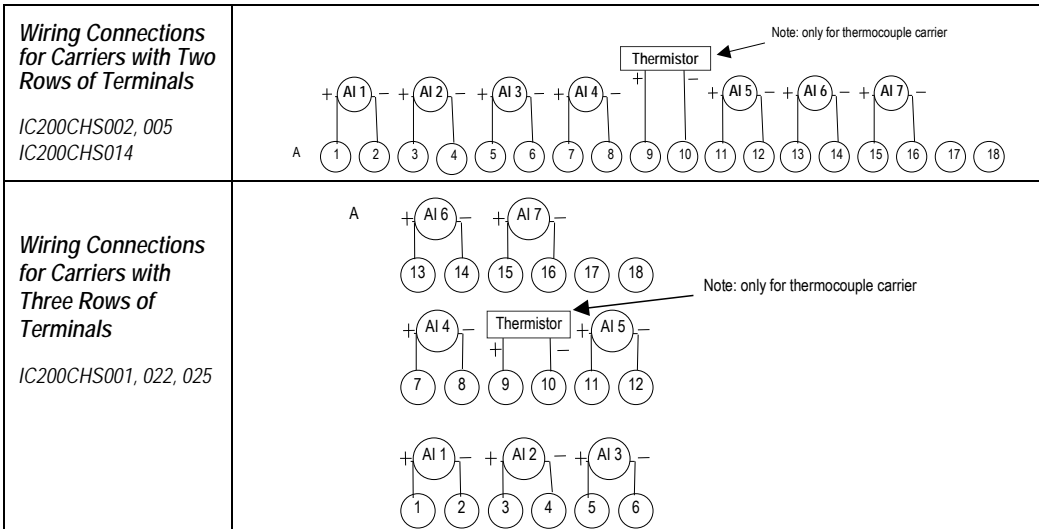


**IC200ALG630**  
**Analog Input, 16 Bit Thermocouple, 7 Channels**

**Field Wiring**

The terminal assignments for the Thermocouple module displayed in the following figure are the same for all carriers.

Terminal	Connection	Terminal	Connection
A1	Channel 1 (+)	B1	No Connection
A2	Channel 1 (-)	B2	Shield Termination Point
A3	Channel 2 (+)	B3	No Connection
A4	Channel 2 (-)	B4	Shield Termination Point
A5	Channel 3 (+)	B5	No Connection
A6	Channel 3 (-)	B6	Shield Termination Point
A7	Channel 4 (+)	B7	No Connection
A8	Channel 4 (-)	B8	Shield Termination Point
A9	(Thermistor (+))	B9	No Connection
A10	(Thermistor (-))	B10	Shield Termination Point
A11	Channel 5 (+)	B11	No Connection
A12	Channel 5 (-)	B12	Shield Termination Point
A13	Channel 6 (+)	B13	No Connection
A14	Channel 6 (-)	B14	Shield Termination Point
A15	Channel 7 (+)	B15	No Connection
A16	Channel 7 (-)	B16	No Connection
A17	No Connection	B17	No Connection
A18	No Connection	B18	No Connection



**IC200ALG630****Analog Input, 16 Bit Thermocouple, 7 Channels*****Cable Shield Connections***

If possible, the cable should be grounded at the source device. If that is not possible, the cable shield must be grounded at the source device. If that is not possible, the cable shield must be grounded at the I/O module. This can be done using an Auxiliary I/O Terminal (IC200TBM001, 002, or 005).

If the module is installed on a Terminal-style I/O Carrier (IC200CHS001, 002, or 005), shield connections can be made on an Auxiliary I/O Terminal that is attached to the I/O carrier. If the module is installed on a Compact Terminal-style I/O Carrier (IC200CHS022, 025), shield connections can be made on an Auxiliary I/O Terminal that is mounted near the I/O carrier. Be sure to ground the Auxiliary I/O Terminal Strip if you plan to use it for this purpose.

If the module is installed on a Connector-style I/O Carrier (IC200CHS003), the cable shield can be connected directly to an Interposing Terminal (IC200CHS011, 012, 015). Be sure to ground the Interposing Terminal. It is recommended to use a shielded interposing cable as well between the Interposing Terminal and the Connector Base. A custom shielded cable can be made using the Connector kit (IC200ACC304). In addition, a custom shield braid can be wrapped around standard Interposing Cables (IC200CBL105, 110, 120, 230). If this approach is used be sure to ground the braid.

***Diagnostics***

Alarm faults are reported if the processed value for a channel exceeds its configured alarm limit. Over/Under range faults are reported if the millivolt value for an input exceeds the limits of its span.

Open circuit is checked every time a thermocouple input is read (unless Open TC checking is disabled). If the circuit is open, a fault is reported and the input defaults to the configured channel default (this is 0 unless re-configured). If the Thermocouple Type parameter has been configured as "none", open circuit checking is not done. After an Open Circuit fault condition is corrected, the module takes a few seconds to return to normal operation. During this time, the module continues reporting the channel default input value. After the module has recovered from the Open Circuit fault, it returns to normal inputs and normal operation.

If there is a very large change in an input (for example, an input quickly goes from 50mV to 400mV), the module may briefly report an Overrange fault on that circuit even though the circuit is not actually over its configured upper limit. This is temporary.

***Thermistor Fault***

A thermistor fault occurs if the calculated temperature value from the thermistor is less than -10 °C or greater than +75 °C.

Chapter  
**15**

## **Accessories**

---

---

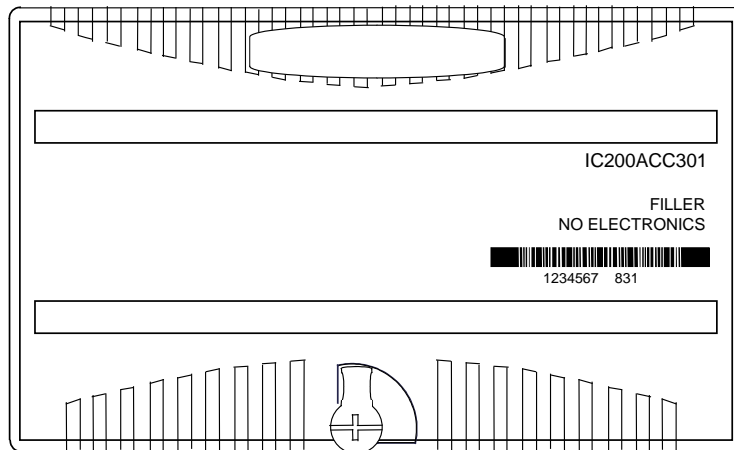
This chapter describes the following VersaMax accessories:

- IC200ACC301 I/O Filler Module
- IC200ACC302 I/O Input Simulator
- IC200ACC303 I/O Shorting Bar



### *IC200ACC301 I/O Filler Module*

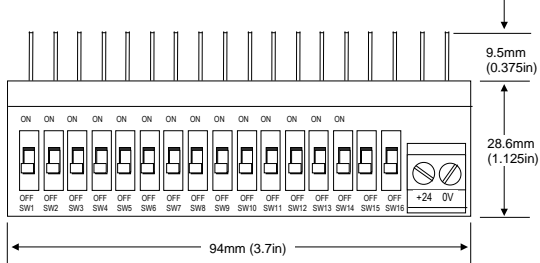
The VersaMax I/O Filler Module (IC200ACC301) can be used as a placeholder for a future I/O module. The I/O Filler has no electrical components. It installs on any VersaMax I/O Carrier in the same way as an I/O module. The carrier is not wired to field devices. The I/O Filler Module protects the carrier electronics against contamination and mechanical damage and also gives the installed equipment a finished appearance.



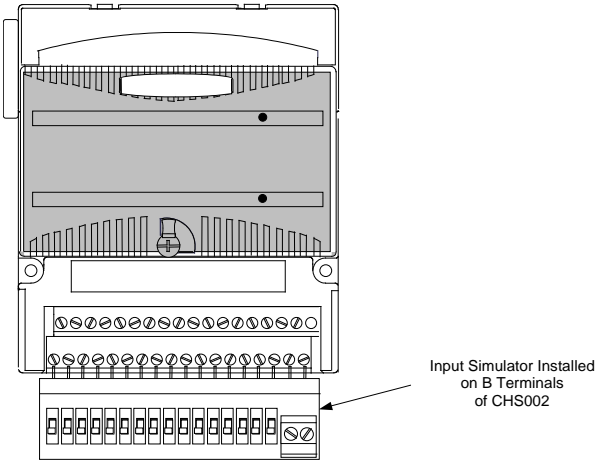
The CPU or NIU at the head of the equipment sees the carrier where the I/O Filler Module is installed as an “empty” slot. In a VersaMax PLC system that will be configured using the configuration software, the I/O Filler Module and its carrier can be located in any I/O module slot. However, in a system that will be configured using autoconfiguration, the I/O Filler Module and its carrier must be located in the last slot, because autoconfiguration stops at the first empty slot.

**IC200ACC302  
Input Simulator**

The VersaMax Input Simulator (IC200ACC302) has 16 switches that can be used to easily turn on or off any input on a 24 V DC VersaMax discrete input or mixed I/O module.



The module must be installed on an I/O Carrier with Box Style Terminals (IC200CHS002) or on a Connector-Type I/O Carrier with Box-Type Interposing Terminals (IC200CHS012) or Auxiliary Terminals (IC200TBM002). It can be installed in either the A or B terminals of the carrier.



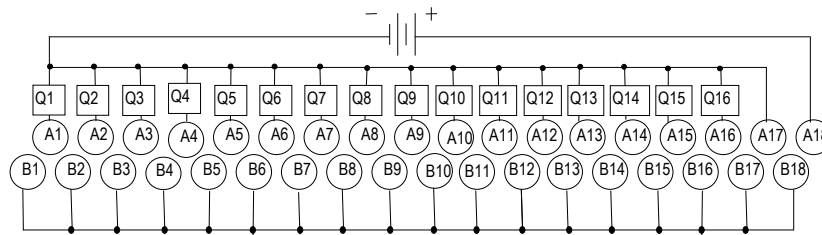
The Input Simulator can be installed in either the A or B terminals of the carrier, depending on which module inputs should be controlled. After inserting the pins of the Input Simulator, tighten down the screws on the carrier.

A separate external source of 24 V DC power is required. The power supply must be appropriate for the I/O module being controlled. The power supply connection terminals on the Input Simulator accommodate one solid or stranded AWG #14 (avg. 2.1mm<sup>2</sup> cross section) to AWG #22 (avg. 0.36mm<sup>2</sup> cross section) wire, or two wires up to AWG #18 (avg. 0.86mm<sup>2</sup> cross section).

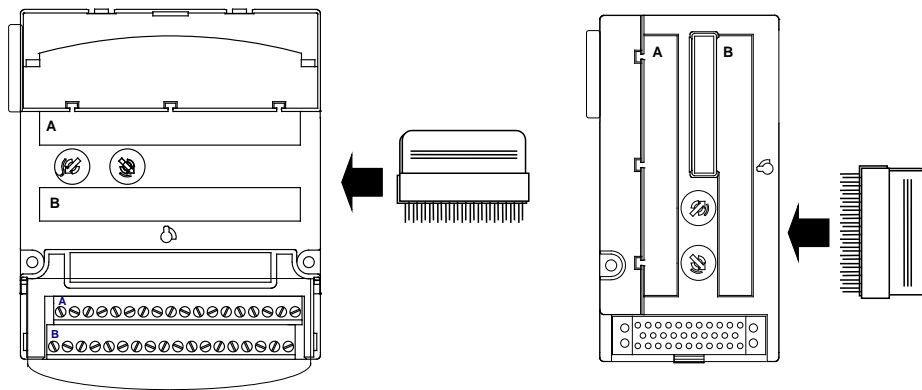
**IC200ACC303  
I/O Shorting Bar**

Shorting Bars (part number IC200ACC303, quantity 2) can be a cost-effective solution for providing additional bussed terminals for modules that include only one I/O board. The shorting bar has a maximum current-carrying capacity of 2 Amps per point. Refer to the individual module descriptions to determine whether a shorting bar can be used for a particular module.

The following figure displays how a Shorting Bar can be used to provide extra field wiring connections for an I/O module.



A Shorting Bar must be installed *directly on the carrier* before installing the I/O module.



*Appendix*

**A**

## ***Panel Mounting Dimensions***

---

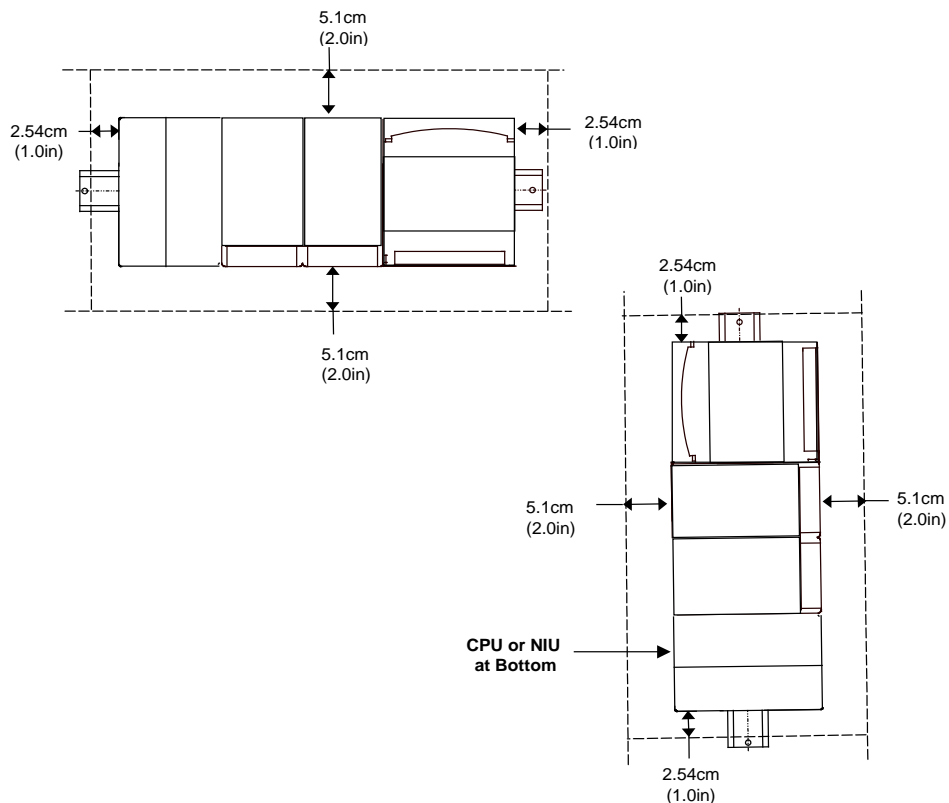
---

This section provides details for mounting the VersaMax modules:

- Module space requirements
- Panel mounting details

## Thermal Considerations

The thermal performance specified for modules in this manual requires a clearance of 5.1cm (2 in) above and below the modules and 2.54cm (1 in) on each side of the modules as shown below, regardless of the orientation of the DIN rail.



### Mounting Modules on a Vertical DIN Rail

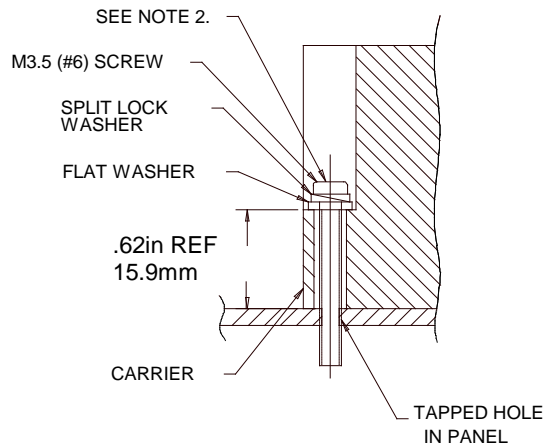
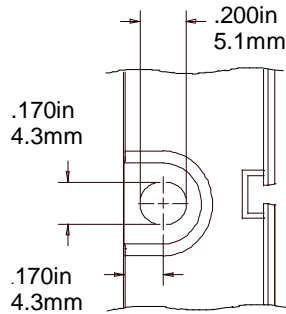
When using a vertical DIN rail, the CPU or NIU module must be installed at the bottom.

Some VersaMax I/O modules require thermal derating. The section, *Thermal Derating*, provides module-specific derating information. Mounting a module on a vertical DIN rail increases the ambient temperature around each module, due to the cumulative effect of the rising heat. Therefore, modules that have a thermal derating when mounted on a horizontal DIN rail will have a greater derating when mounted on a vertical DIN rail.

Modules that do not have a thermal derating when mounted on a horizontal DIN rail also have no derating when installed on a vertical DIN rail.

## Panel-Mounting Details

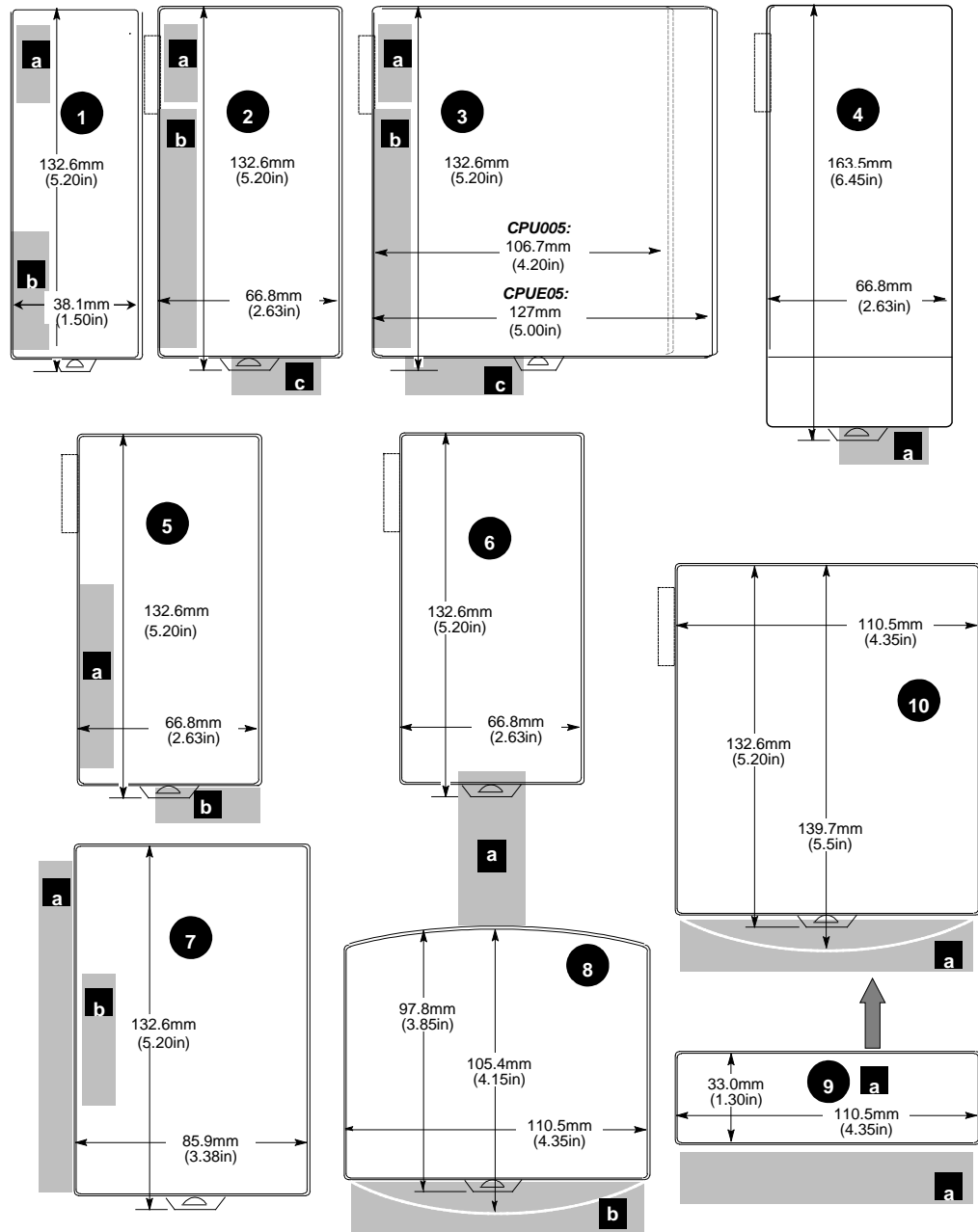
For installations where excessive vibration is a factor, the DIN-rail mounted carriers should also be installed on a panel. Mounting dimensions are provided on the following pages.



**NOTES:**

1. TOLERANCES ON ALL DIMENSIONS ARE  $\pm 0.1\text{mm}$  (0.005IN) NON-CUMULATIVE.
2. 1.1-1.4Nm (10-12 IN. LBS) OF TORQUE SHOULD BE TO M3.5 (#6-32) STEEL SCREW THREADED INTO MATERIAL CONTAINING INTERNAL THREADS AND HAVING A MINIMUM THICKNESS OF 2.4mm (.093 IN).

### Module Space Requirements



## Module Sizes

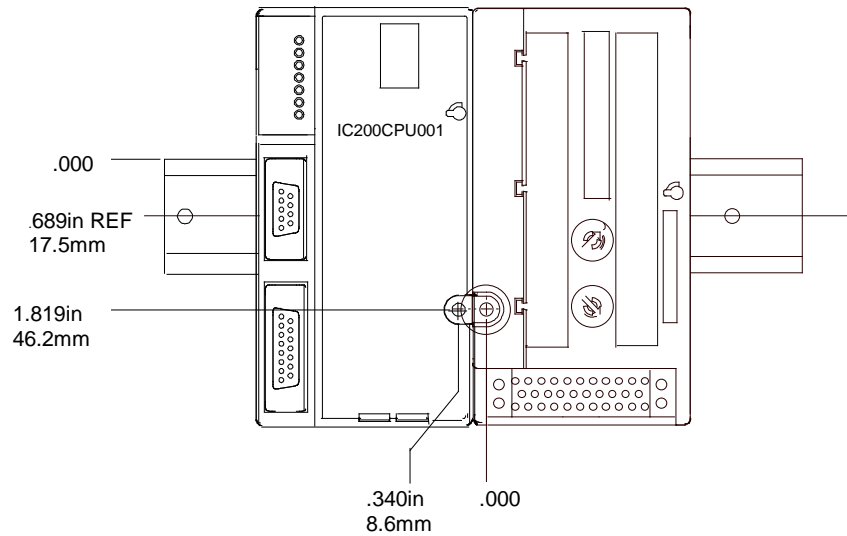
The previous diagram shows the length and width of VersaMax Modules. Some modules have physical clearance requirements that should be considered when planning the layout of the system. Module carriers have a projecting connector on the left side that fits into the previous carrier. Clearance for this connector must be included in the overall equipment width allowed for potential future removal/insertion of a carrier. The clearance required per carrier is approximately 6.4mm (.25 in).

- 1 **Expansion Transmitter Module**
  - a In NIU I/O Station, allow clearance for cable to pass-through serial port
  - b Allow adequate space for expansion cable
- 2 **CPU001 or 002, with Power Supply Module**
  - a Allow clearance for opening CPU door to access Run/Stop switch
  - b Allow adequate space for serial port cables
  - c Allow adequate space for power wiring
- 3 **CPU005 / CPUE05 with Power Supply Module**
  - a Allow clearance for opening CPU door to access Run/Stop switch
  - b Allow adequate space for serial port cables
  - c Allow adequate space for power wiring
- 4 **Compact Terminal Style I/O Carrier**
  - a Allow adequate space for device wiring
- 5 **Expansion Receiver Module, Communications Module, or Power Supply Booster Carrier**
  - a (Expansion Receiver Module) Allow space for expansion cables
  - b (Booster Carrier) Allow adequate space for power wiring
- 6 **Connector-Style I/O Carrier**
  - a Allow adequate space for cable. Use of Interposing Carrier is optional.
- 7 **Network Interface Unit**
  - a Allow clearance for opening NIU door.
  - b Allow adequate clearance for cables
- 8 **Interposing I/O Terminals**
  - b Allow adequate space for wiring
- 9 **Auxiliary I/O Terminals**
  - a Multiple Auxiliary Terminals may be used.
  - b Allow adequate space for device wiring
- 10 **Terminal-Style I/O Carrier**
  - a Allow adequate space for device wiring

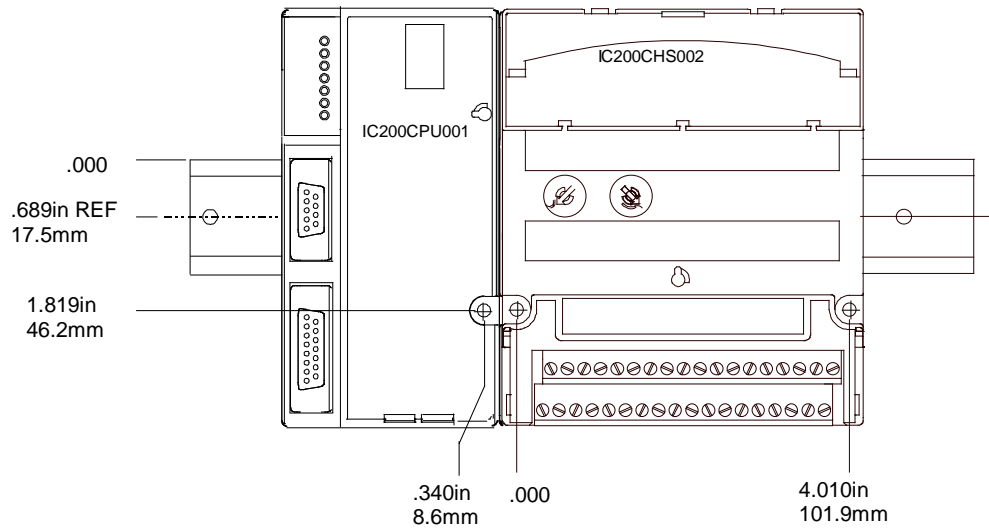


**A**

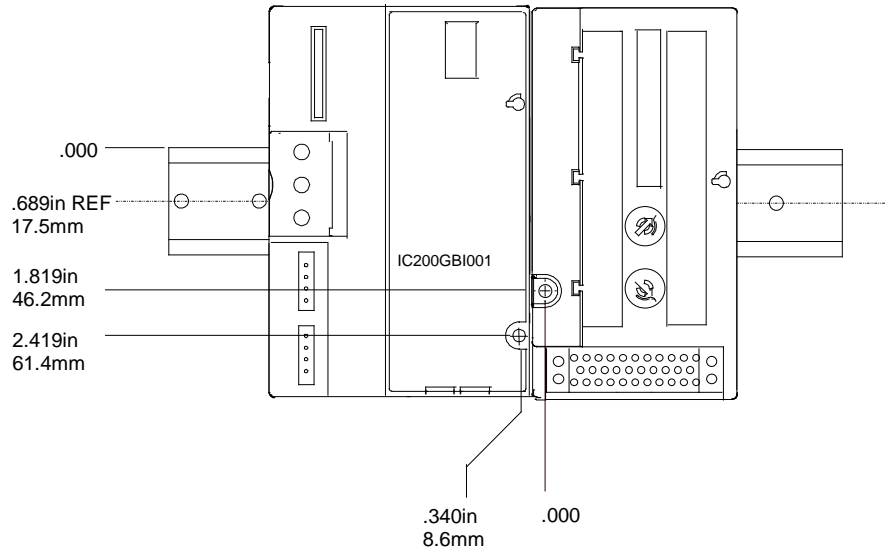
*CPU or Expansion Receiver Module to Connector-Style I/O Carrier (Shown),  
Compact Terminal-Style I/O Carrier, or Communications Carrier*



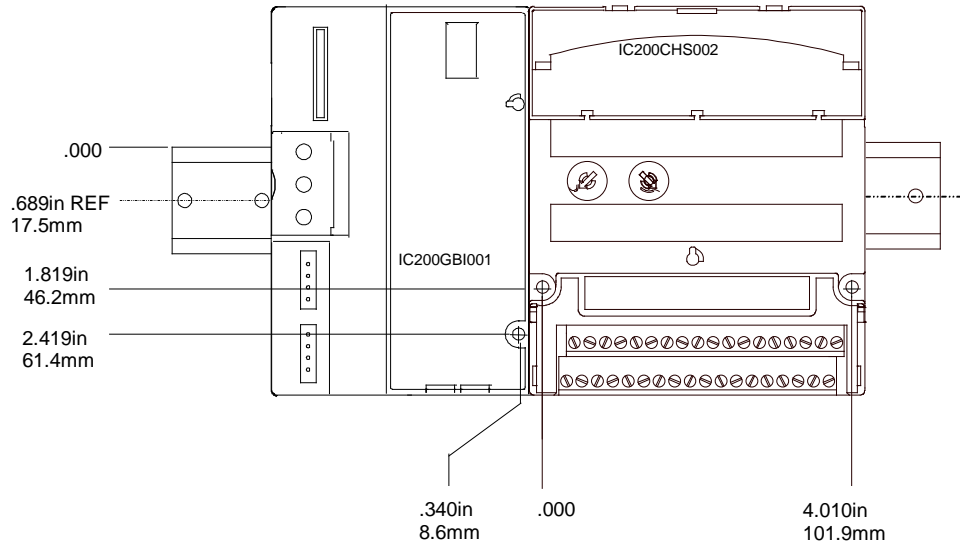
*CPU or Expansion Receiver Module to Terminal-Style I/O Carrier*



*NIU to Connector-Style I/O Carrier (Shown), or Compact Terminal-Style I/O Carrier*

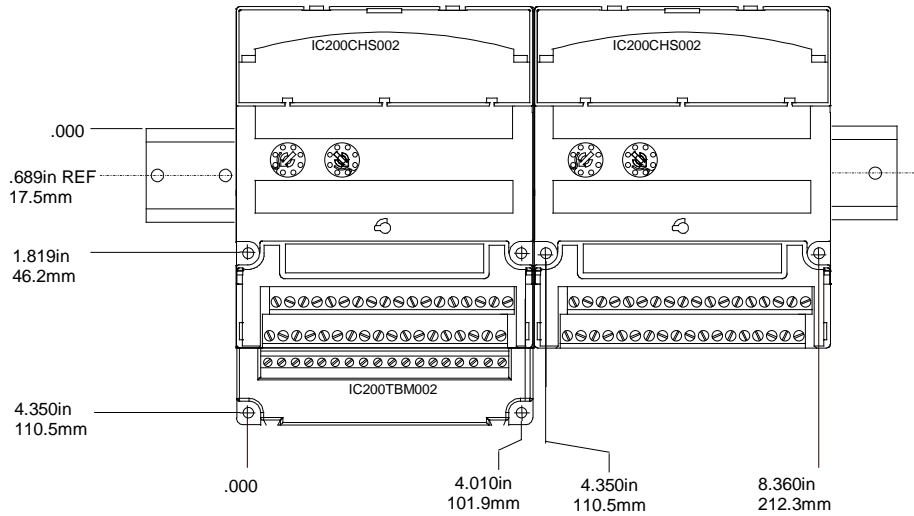


*NIU to Terminal-Style I/O Carrier*

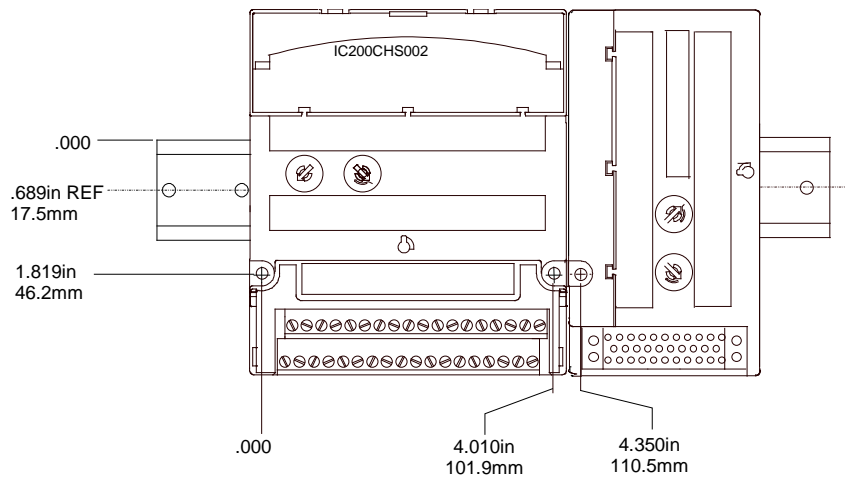


**A**

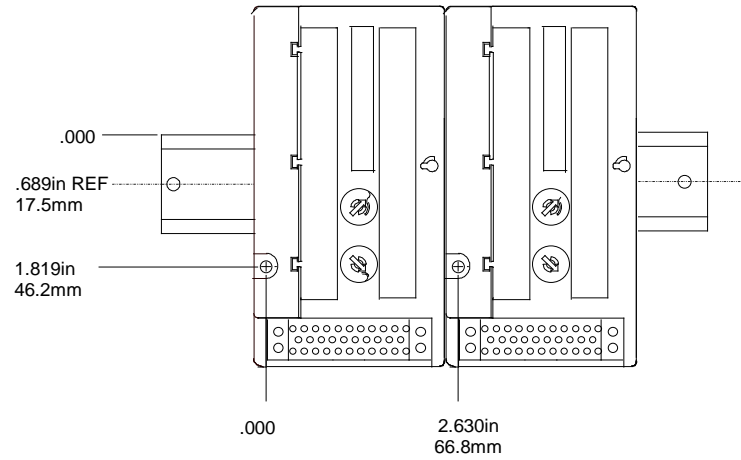
*Terminal-Style I/O Carrier to Terminal-Style I/O Carrier and Auxiliary Terminals to Terminal-Style I/O Carrier*



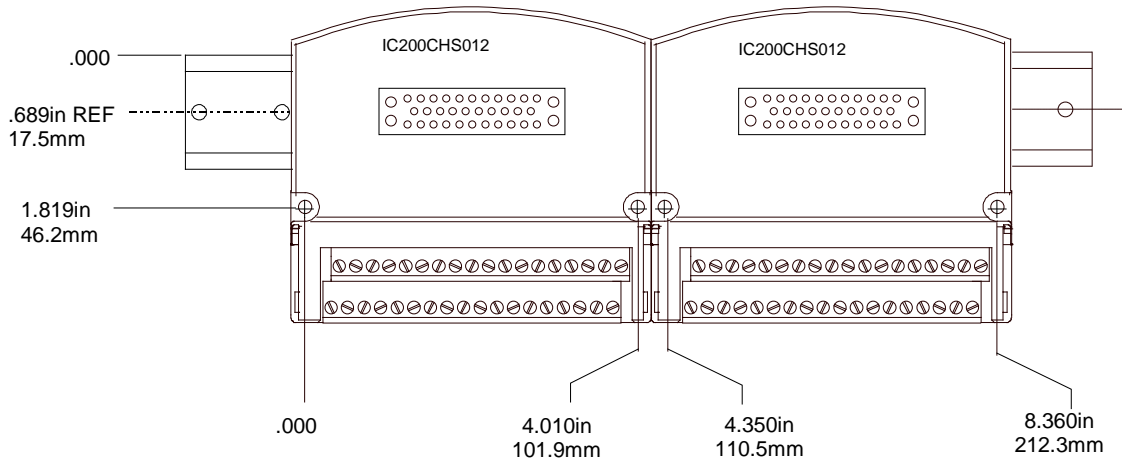
*Terminal-Style Carrier to Connector-Style Carrier (shown), Compact Terminal-Style I/O Carrier, or Power Supply Booster Carrier*



**Connector-Style I/O Carrier to Connector-Style I/O Carrier (shown), Compact Terminal-Style I/O Carrier, Communications Carrier, or Power Supply Booster Carrier**

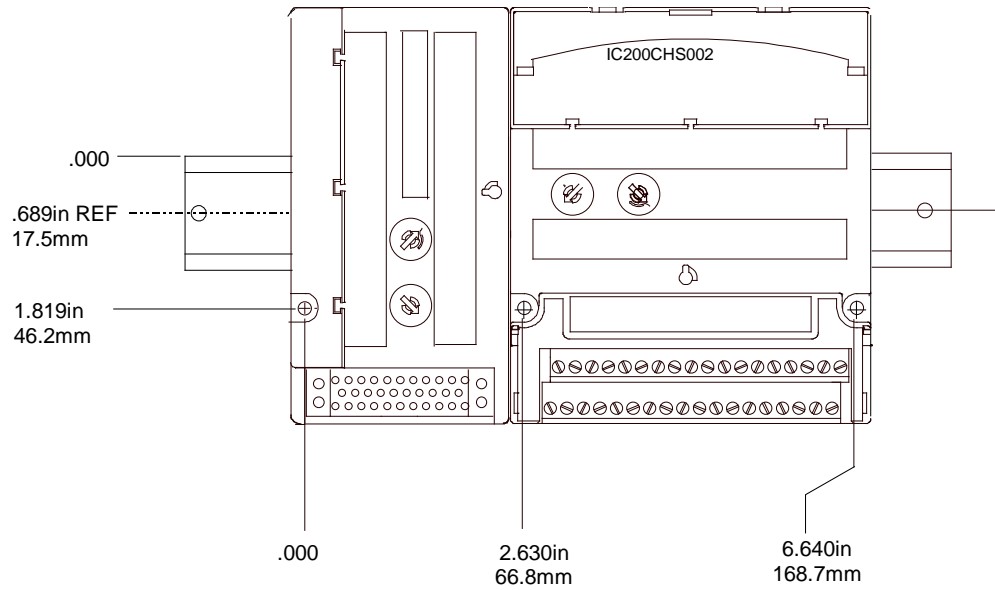


**Interposing Terminals to Interposing Terminals**



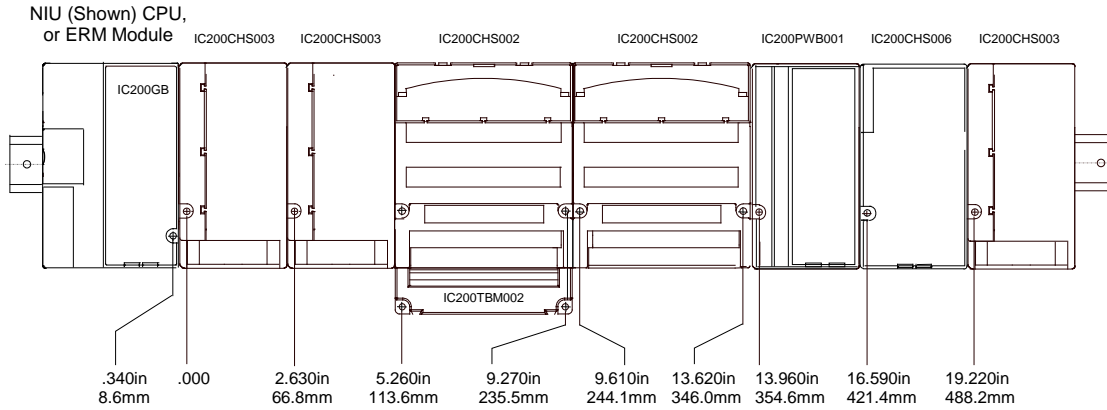
**A**

*Connector-Style I/O Carrier (shown) or Compact Terminal-Style I/O Carrier to Terminal-Style I/O Carrier*



## Mounting Dimensions Example

In an expansion system, the Expansion Transmitter Module adds 38.1mm (1.5 in) to the left side of the CPU or NIU in rack 0, represented in the following figure. Each expansion rack in an expansion system has an Expansion Receiver Module in slot 0, with additional modules.



Appendix  
**B**

## Relay Contact Ratings

### Mechanical Rating

Relay contacts are rated for  $10^7$  operations.

### Electrical Rating

The relay contacts used in VersaMax modules meet Underwriters Laboratories' Pilot Duty Rating for Control Circuits. Contact life depends on type of load and current, as summarized in the following table.

Operating Voltage	Maximum Current for Load Type		Typical Contact Life (operations)
	Resistive	Inductive †	
24 to 125 V AC	2.0 A	0.35 A	300,000
24 to 125 V AC	–	1.00 A	100,000
24 to 125 V AC	1.5 A	0.20 A	500,000
24 to 125 V AC	0.8 A	0.10 A	1,000,000
250 V AC	2.0 A	0.15 A	180,000
250 V AC	–	1.00 A	30,000
250 V AC	1.0 A	–	500,000
250 V AC	0.6 A	–	1,000,000
5 to 31 V DC	2.0 A	0.70 A	200,000
5 to 31 V DC	–	2.00 A	50,000
5 to 31 V DC	1.1 A	0.25 A	500,000
5 to 31 V DC	0.7 A	0.10 A	1,000,000
32 to 125 V DC	0.2 A	not rated	300,000

† Power Factor = 0.4 minimum for AC inductive loads

Time Constant – 7mS for DC inductive loads

Installing suitable suppression across inductive loads enhances reliability. For DC, a free-wheeling diode provides suitable suppression. For AC, an R-C filter can be used.

Appendix  
C

## ***Power Supply Load Requirements***

---

---

This appendix summarizes the DC load requirements of all types of VersaMax modules.

It also describes how to calculate the Power Supply requirements of a VersaMax system.



**C**

**Power Supply Capacities**

The power supply on the CPU or NIU module provides +5 V and +3.3 V power to the modules in the station. Booster Power Supplies can be used if the modules in the system will draw more current than the CPU or NIU Power Supply can provide. The AC or DC Power Supply on the CPU or NIU and the Power Supply that resides on the Booster Carrier must share the same external power source.

For each Power Supply, the maximum total combined output current from the 5 V and 3.3 V outputs is 1.5 A. Each power supply provides a maximum of either 0.25 A or 1 A on its 3.3 V output, as listed in the following table. That portion of the Power Supply's total output current not drawn from the 3.3 V output is available via the 5.5 V output.

Catalog Number	Description	Maximum Output Current in A		
		Total (5V + 3.3V)	5V	3.3V
IC200PWR001	24 V DC Power Supply	1.5A	(1.5A - I <sub>3.3V</sub> )	0.25A
IC200PWR002	24 V DC Expanded 3.3V Power Supply	1.5A	(1.5A - I <sub>3.3V</sub> )	1.0A
IC200PWR101	120/240 V AC Power Supply	1.5A	(1.5A - I <sub>3.3V</sub> )	0.25A
IC200PWR102	120/240 V AC Expanded 3.3V Power Supply	1.5A	(1.5A - I <sub>3.3V</sub> )	1.0A
IC200PWR201	12 V DC Power Supply	1.5A	(1.5A - I <sub>3.3V</sub> )	0.25A
IC200PWR202	12 V DC Expanded 3.3V Power Supply	1.5A	(1.5A - I <sub>3.3V</sub> )	1.0A

**Power Calculation Example**

In the example system listed below, the maximum current draw on the Power Supply's 3.3V output by all of the modules will be 0.215 A.

Subtracting 0.215A from the Power Supply total output of 1.5 A shows that 1.285A will be available via the 5.5V output:

$$(1.5A - 0.215A = 1.285A)$$

Because the maximum current draw on the 5V output would be 0.65A as listed in the following table, any of the available Power Supplies could be used for this system.

Catalog Number	Description	Backplane Current Consumption in mA	
		5V	3.3V
IC200CPU001	CPU with 2 serial ports, with EZ Program Store device	140	100
IC200ALG261	Analog Input Module, 15 Bit Voltage Differential 8 Channels	200	0
IC200ALG327	Analog Output Module, 13 Bit Voltage 12 Channels	50	0
IC200ALG331	Analog Output Module, 16 Bit Voltage/Current, 1500 V AC Isolation, 4 Channels	10	115
IC200MDL650	Input Module, 24 V DC Positive/Negative Logic 32 Points	50	0
IC200MDL650	Input Module, 24 V DC Positive/Negative Logic 32 Points	50	0
IC200MDL742	Output Module, 24 V DC Positive Logic 0.5 Amp, w/ESCP 32 Pts	150	0
<b>Total Current Required by Modules</b>		<b>650mA (0.65A)</b>	<b>215mA (0.215A)</b>

### Module Power Requirements

Catalog Number	Description		Backplane Current Consumption in mA	
			5V	3.3V
IC200CPU001, IC200CPU002	CPU with 2 serial ports	no serial port converter or EZ Program Store device	40	100
		with serial port converter or EZ Program Store device	140	
IC200CPU005	CPU with 2 serial ports	no serial port converter or EZ Program Store device	80	290
		with serial port converter or EZ Program Store device	180	
IC200CPUE05	CPU with 2 serial ports, embedded Ethernet interface	no serial port converter or EZ Program Store device	160	650
		with serial port converter or EZ Program Store device	260	
IC200EBI001	Ethernet Network Interface Module		175	425
IC200GBI001	Genius Network Interface Module		250	10
IC200PBI001	Profibus Network Interface Module		450	10
IC200DBI001	DeviceNet Network Interface Module		160	10
IC200BEM102	Profibus Network Slave Module		350	0
IC200BEM103	DeviceNet Network Control Module		140	0
IC200BEM104	AS-i Network Interface Module		350	0
IC200CMM020	Serial Communications Module: 5V current draw depends on serial line terminations, duplex mode, serial line activity, and use of external adapters that may require additional 5V power.			0
IC200ETM001	Expansion Transmitter Module		44	0
IC200ERM001	Expansion Receiver Module, Isolated		430	20
IC200ERM002	Expansion Receiver Module		70	20
IC200ALG230	Analog Input Module, 12 Bit Voltage/Current 4 Channels		125	0
IC200ALG240	Analog Input Module, 16 Bit Voltage/Current, 1500 V AC Isolation, 8 Channels		15	120
IC200ALG260	Analog Input Module, 12 Bit Voltage/Current 8 Channels		130	0
IC200ALG261	Analog Input Module, 15 Bit Voltage Differential 8 Channels		200	0
IC200ALG262	Analog Input Module, 15 Bit Current Differential 8 Channels		200	0
IC200ALG263	Analog Input Module, 15 Bit Voltage 15 Channels		150	0
IC200ALG264	Analog Input Module, 15 Bit Current 15 Channels		100	0
IC200ALG265	Analog Input Module, 15 Bit Voltage 15 Channels, SIL2		150	50
IC200ALG266	Analog Input Module, 15 Bit Current 15 Channels, SIL2		100	50

Catalog Number	Description	Backplane Current Consumption in mA	
		5V	3.3V
IC200ALG320	Analog Output Module, 12 Bit Current, 4 Channels	50	0
IC200ALG321	Analog Output Module, 12 Bit Voltage 0 to 10 V DC 4 Channels	50	0
IC200ALG322	Analog Output Module, 12 Bit Voltage -10 to +10 V DC 4 Channels	50	0
IC200ALG325	Analog Output Module, 13 Bit Voltage 8 Channels	50	0
IC200ALG326	Analog Output Module, 13 Bit Current 8 Channels	50	0
IC200ALG327	Analog Output Module, 13 Bit Voltage 12 Channels	50	0
IC200ALG328	Analog Output Module, 13 Bit Current 12 Channels	50	0
IC200ALG331	Analog Output Module, 16 Bit Voltage/Current, 1500 V AC Isolation, 4 Channels	10	115
IC200ALG430	Analog Mixed Module, 12 Bit Input Current 4 Channels and Output Current 2 Channels	50	0
IC200ALG431	Analog Mixed Module, 12 Bit 0 to 10 V DC Input 4 Channels and Output 2 Channels	60	0
IC200ALG432	Analog Mixed Module, 12 Bit +/-10 V DC Input 4 Channels and Output 2 Channels	60	0
IC200ALG620	Analog Input Module, 16 Bit RTD, 4 Channels	125	125
IC200ALG630	Analog Input Module, 16 Bit Thermocouple, 7 Channels	125	125
IC200MDD840	Mixed Module, 24 V DC Positive Logic Input 20 Points / Output Relay 2.0 A 12 Points	375	0
IC200MDD841	Mixed Module, 24 V DC Positive Logic Input 20 Points / Output 12 Point / (4) High Speed Counter, PWM, or Pulse Train Configurable Points	30	130
IC200MDD842	Mixed Module, Output 24 V DC Pos. Logic 0.5A Grouped w/ESCP 16 Points / Input 24 V DC Pos/Neg Logic Grouped 16 Points	100	0
IC200MDD843	Mixed Module, 24 V DC Positive Logic Input Grouped 10 Points / Output Relay 2.0A per Point Grouped 6 Points	190	0
IC200MDD844	Mixed Module, Output 12/24 V DC Pos. Logic 0.5A 16 Points / Input 24 V DC Pos/Neg Logic Grouped 16 Points	70	0
IC200MDD845	Mixed Module, Output Relay 2.0A Isolated 8 Points / Input 24 V DC Pos/Neg Logic Grouped 16 Points	270	0
IC200MDD846	Mixed Module, Output Relay 2.0A per Pt Isolated 8 Points / Input 120 V AC Grouped 8 Points	300	0
IC200MDD847	Mixed Module, Output Relay 2.0A per Pt Isolated 8 Points / Input 240 V AC Grouped 8 Points	300	0
IC200MDD848	Mixed Module, Output 120 V AC 0.5A per Pt Isolated 8 Points / Input 120 V AC Grouped 8 Points	125	0
IC200MDD849	Mixed Module, Output Relay 2.0A per Pt Isolated 8 Points / Input 120 V AC Isolated 8 Points	295	0
IC200MDD850	Mixed Module, Output Relay 2.0A per Pt Isolated 8 Points / Input 240 V AC Isolated 4 Points	275	0
IC200MDD851	Mixed Module, Output 12/24 V DC Pos. Grouped 16 Pts / Input 5/12 V DC Pos/Neg Grp16 Pts	115	0

C

Catalog Number	Description	Backplane Current Consumption in mA	
		5V	3.3V
IC200MDL140	Input Module, 120 V AC 8 Points	55	0
IC200MDL141	Input Module, 240 V AC 8 Points	55	0
IC200MDL143	Input Module, 120 V AC Isolated 8 Points	50	0
IC200MDL144	Input Module, 240 V AC Isolated 4 Points	30	0
IC200MDL240	Input Module, 120 V AC 16 Points	110	0
IC200MDL241	Input Module, 240 V AC 16 Points	110	0
IC200MDL243	Input Module, 120 V AC Isolated 16 Points	100	0
IC200MDL244	Input Module, 240 V AC Isolated 8 Points	60	0
IC200MDL329	Output Module, 120 V AC 0.5 Amp, Isolated 8 Points	70	0
IC200MDL330	Output Module, 120 V AC 0.5 Amp, Isolated 16 Points	140	0
IC200MDL331	Output Module, 120 V AC 2.0 A, Isolated 8 Points	85	0
IC200MDL631	Input Module, 125 V DC Positive/Negative Logic Isolated 8 Points	40	0
IC200MDL632	Input Module, 125 V DC Positive/Negative Logic Isolated 16 Points	80	0
IC200MDL635	Input Module, 48 V DC Positive/Negative Logic Grouped 16 Points	70	0
IC200MDL636	Input Module, 48 V DC Positive/Negative Logic Grouped 32 Points	140	0
IC200MDL640	Input Module, 24 V DC Positive/Negative Logic 16 Points	25	0
IC200MDL643	Input Module, 5/12 V DC Positive/Negative Logic Grouped 16 Points	70	0
IC200MDL644	Input Module, 5/12 V DC Positive/Negative Logic Grouped 32 Point	140	0
IC200MDL650	Input Module, 24 V DC Positive/Negative Logic 32 Points	50	0
IC200MDL730	Output Module, 24 V DC Positive Logic 2.0 A, w/ESCP 8 Points	50	0
IC200MDL740	Output Module, 12/24 V DC Positive Logic 0.5 Amp, 16 Points	45	0
IC200MDL741	Output Module, 24 V DC Positive Logic 0.5 Amp, w/ESCP 16 Points	75	0
IC200MDL742	Output Module, 24 V DC Positive Logic 0.5 Amp, w/ESCP 32 Points	150	0
IC200MDL743	Output Module, 5/12/24V DC Negative Logic 0.5 Amp, 16 Points	70	0
IC200MDL744	Output Module, 5/12/24 V DC Negative Logic 0.5 Amp, 32 Points	140	0
IC200MDL750	Output Module, 12/24 V DC Positive Logic 0.5 Amp, 32 Points	90	0
IC200MDL930	Output Module, Relay 2.0 A Isolated Form A 8 Points	245	0
IC200MDL940	Output Module, Relay 2.0 A, Isolated Form A 16 Points	490	0

Appendix  
**D**

## I/O Module Keying Summary

The following table summarizes I/O module keying:

<b>Catalog Number</b>	<b>Module</b>	<b>Keycode</b>
IC200ALG230	Analog Input Module, 12 Bit Voltage/Current 4 Channels	D2
IC200ALG240	Analog Input Module, 16 Bit Voltage/Current, 1500 V AC Isolation, 8 Channels	C7
IC200ALG260	Analog Input Module, 12 Bit Voltage/Current 8 Channels	D2
IC200ALG261	Analog Input Module, 15 Bit Voltage Differential 8 Channels	G3
IC200ALG262	Analog Input Module, 15 Bit Current Differential 8 Channels	G2
IC200ALG263	Analog Input Module, 15 Bit Voltage 15 Channels	G3
IC200ALG264	Analog Input Module, 15 Bit Current 15 Channels	G2
IC200ALG320	Analog Output Module, 12 Bit Current, 4 Channels	B8
IC200ALG321	Analog Output Module, 12 Bit Voltage 0 to 10 V DC 4 Channels	D6
IC200ALG322	Analog Output Module, 12 Bit Voltage -10 to +10 V DC 4 Channels	E3
IC200ALG325	Analog Output Module, 13 Bit Voltage 8 Channels	G6
IC200ALG326	Analog Output Module, 13 Bit Current 8 Channels	G7
IC200ALG327	Analog Output Module, 13 Bit Voltage 12 Channels	G6
IC200ALG328	Analog Output Module, 13 Bit Current 12 Channels	G7
IC200ALG331	Analog Output Module, 16 Bit Voltage/Current, 1500 V AC Isolation, 4 Channels	D7
IC200ALG430	Analog Mixed Module, 12 Bit Input Current 4 Channels and Output Current 2 Channels	D8
IC200ALG431	Analog Mixed Module, 12 Bit 0 to 10 V DC Input 4 Channels and Output 2 Channels	E2
IC200ALG432	Analog Mixed Module, 12 Bit +/-10 V DC Input 4 Channels and Output 2 Channels	E4
IC200ALG620	Analog Input Module, 16 Bit RTD, 4 Channels	D3
IC200ALG630	Analog Input Module, 16 Bit Thermocouple, 7 Channels	D4

**D**

<b>Catalog Number</b>	<b>Module</b>	<b>Keycode</b>
IC200MDD840	Mixed Module, 24 V DC Positive Logic Input 20 Points / Output Relay 2.0 A 12 Points	C3
IC200MDD841	Mixed Module, 24 V DC Positive Logic Input 20 Points / Output 12 Point / (4) High Speed Counter, PWM, or Pulse Train Configurable Points	C4
IC200MDD842	Mixed Module, Output 24 V DC Pos. Logic 0.5A Grouped w/ESCP 16 Points / Input 24 V DC Pos/Neg Logic Grouped 16 Points	C6
IC200MDD843	Mixed Module, 24 V DC Positive Logic Input Grouped 10 Points / Output Relay 2.0A per Point Grouped 6 Points	C3
IC200MDD844	Mixed Module, Output 12/24 V DC Pos. Logic 0.5A 16 Points / Input 24 V DC Pos/Neg Logic Grouped 16 Points	C6
IC200MDD845	Mixed Module, Output Relay 2.0A Isolated 8 Points / Input 24 V DC Pos/Neg Logic Grouped 16 Points	E6
IC200MDD846	Mixed Module, Output Relay 2.0A per Pt Isolated 8 Points / Input 120 V AC Grouped 8 Points	E7
IC200MDD847	Mixed Module, Output Relay 2.0A per Pt Isolated 8 Points / Input 240 V AC Grouped 8 Points	E8
IC200MDD848	Mixed Module, Output 120 V AC 0.5A per Pt Isolated 8 Points / Input 120 V AC Grouped 8 Points	F2
IC200MDD849	Mixed Module, Output Relay 2.0A per Pt Isolated 8 Points / Input 120 V AC Isolated 8 Points	E7
IC200MDD850	Mixed Module, Output Relay 2.0A per Pt Isolated 8 Points / Input 240 V AC Isolated 4 Points	E8
IC200MDD851	Mixed Module, Output 12/24 V DC Pos. Grouped 16 Pts / Input 5/12 V DC Pos/Neg Grp16 Pts	F3

<b>Catalog Number</b>	<b>Module</b>	<b>Keycode</b>
IC200MDL140	Input Module, 120 V AC 8 Points	B2
IC200MDL141	Input Module, 240 V AC 8 Points	B3
IC200MDL143	Input Module, 120 V AC Isolated 8 Points	B2
IC200MDL144	Input Module, 240 V AC Isolated 4 Points	B3
IC200MDL240	Input Module, 120 V AC 16 Points	B2
IC200MDL241	Input Module, 240 V AC 16 Points	B3
IC200MDL243	Input Module, 120 V AC Isolated 16 Points	B2
IC200MDL244	Input Module, 240 V AC Isolated 8 Points	B3
IC200MDL329	Output Module, 120 V AC 0.5 A, Isolated 8 Points	B6
IC200MDL330	Output Module, 120 V AC 0.5 A, Isolated 16 Points	B6
IC200MDL331	Output Module, 120 V AC 2.0 A, Isolated 8 Points	B7
IC200MDL631	Input Module, 125 V DC Positive/Negative Logic Isolated 8 Points	F6
IC200MDL632	Input Module, 125 V DC Positive/Negative Logic Isolated 16 Points	F6
IC200MDL635	Input Module, 48 V DC Positive/Negative Logic Grouped 16 Points	F4
IC200MDL636	Input Module, 48 V DC Positive/Negative Logic Grouped 32 Points	F4
IC200MDL640	Input Module, 24 V DC Positive/Negative Logic 16 Points	B4
IC200MDL643	Input Module, 5/12 V DC Positive/Negative Logic Grouped 16 Points	F3
IC200MDL644	Input Module, 5/12 V DC Positive/Negative Logic Grouped 32 Point	F3
IC200MDL650	Input Module, 24 V DC Positive/Negative Logic 32 Points	B4
IC200MDL730	Output Module, 24 V DC Positive Logic 2.0 As, w/ESCP 8 Points	C2
IC200MDL740	Output Module, 12/24 V DC Positive Logic 0.5 A, 16 Points	C2
IC200MDL741	Output Module, 24 V DC Positive Logic 0.5 A, w/ESCP 16 Points	C2
IC200MDL742	Output Module, 24 V DC Positive Logic 0.5 A, w/ESCP 32 Points	C2
IC200MDL743	Output Module, 5/12/24V DC Negative Logic 0.5 A, 16 Points	C2
IC200MDL744	Output Module, 5/12/24 V DC Negative Logic 0.5 A, 32 Points	C2
IC200MDL750	Output Module, 12/24 V DC Positive Logic 0.5 A, 32 Points	C2
IC200MDL930	Output Module, Relay 2.0 At Isolated Form A 8 Points	C8
IC200MDL940	Output Module, Relay 2.0 A, Isolated Form A 16 Points	C8



## Compatibility Matrix

This appendix provides the minimum product versions required for compatibility.

GC = Generic configuration possible.

No = not compatible

Numbers (for example, 2.1) indicate module firmware version

Letters (for example, AA) indicate module hardware release (first letter),  
firmware release (second letter)

Catalog Number	Description	Machine Edition	VersaPro	Control 90	CPU001	CPU002	CPU005	CPUE05	DBI001	EBI001	GBI001	PBI001
Analog Inputs	IC200ALG230	Analog In 12B Vol/Cur 4 Ch	2.11	1.0	2.2	AA 1.0	AA 1.5	AA 2.1	AA 2.1	AA 1.1	AA 1.0	AA 1.0
	IC200ALG240	Analog In 16B Vol/Cur Iso. 8 Ch	2.11	1.0	2.2	BC 1.2	AA 1.5	AA 2.1	AA 2.1	AA 1.1	AA 1.0	AB 1.1
	IC200ALG260	Analog In 12B Vol/Cur 8 Ch	2.11	1.1	2.4	AA 1.0	AA 1.5	AA 2.1	AA 2.1	AA 1.1	AA 1.0	AA 1.0
	IC200ALG261	Analog In 15B Vol Diff. 8 Ch	2.11	2.0	2.4	CE 2.1	AB 2.1	AA 2.1	AA 2.1	No	AB 1.1	BF 2.2
	IC200ALG262	ALG IN 15B Cur Differential 8 Ch	2.11	2.0	2.4	CE 2.1	AB 2.1	AA 2.1	AA 2.1	No	AB 1.1	BF 2.2
	IC200ALG263	Analog In 15B Voltage 15 Ch	2.11	2.0	2.4	CE 2.1	AB 2.1	AA 2.1	AA 2.1	No	AB 1.1	BF 2.2
	IC200ALG264	Analog In 15B Current 15 Ch	2.11	2.0	2.4	CE 2.1	AB 2.1	AA 2.1	AA 2.1	No	AB 1.1	BF 2.2
	IC200ALG620	Analog In 16B RTD 4 Ch	2.11	1.0	2.2	BC 1.2	AA 1.5	AA 2.1	AA 2.1	AA 1.1	AA 1.0	AB 1.1
	IC200ALG630	Analog In 16B Thermocouple 7 Ch	2.11	1.0	2.2	BC 1.2	AA 1.5	AA 2.1	AA 2.1	AA 1.1	AA 1.0	AB 1.1
Analog Outputs	IC200ALG320	Analog Out 12B Cur 4 Ch	2.11	1.0	2.2	AA 1.0	AA 1.5	AA 2.1	AA 2.1	AA 1.1	AA 1.0	AA 1.0
	IC200ALG321	Analog Out 12B Vol 0-10V 4 Ch	2.11	1.0	2.2	AA 1.0	AA 1.5	AA 2.1	AA 2.1	AA 1.1	AA 1.0	AA 1.0
	IC200ALG322	Analog Out 12B Vol +/-10V 4 Ch	2.11	1.0	2.2	AA 1.0	AA 1.5	AA 2.1	AA 2.1	AA 1.1	AA 1.0	AA 1.0
	IC200ALG325	Analog Out 13B Vol 8 Ch	2.11	2.0	2.4	CE 2.1	AB 2.1	AA 2.1	AA 2.1	No	AB 1.1	BF 2.2
	IC200ALG326	Analog Out 13B Cur 8 Ch	2.11	2.0	2.4	CE 2.1	AB 2.1	AA 2.1	AA 2.1	No	AB 1.1	BF 2.2
	IC200ALG327	Analog Out 13B Vol 12 Ch	2.11	2.0	2.4	CE 2.1	AB 2.1	AA 2.1	AA 2.1	No	AB 1.1	BF 2.2
	IC200ALG328	Analog Out 13B Cur 12 Ch	2.11	2.0	2.4	CE 2.1	AB 2.1	AA 2.1	AA 2.1	No	AB 1.1	BF 2.2
	IC200ALG331	Analog Out 16B Vol/Cur Iso. 4 Ch	2.11	1.0	2.2	BC 1.2	AA 1.5	AA 2.1	AA 2.1	AA 1.1	AA 1.0	AB 1.1

**E**

<b>Catalog Number</b>	<b>Description</b>	<b>Cimplicity ME</b>	<b>VersaPro</b>	<b>Control 90</b>	<b>CPU001</b>	<b>CPU002</b>	<b>CPU005</b>	<b>CPUE05</b>	<b>DBI001</b>	<b>EBI001</b>	<b>GBI001</b>	<b>PBI001</b>
<b>Mixed Analog</b>	IC200ALG430	Analog Mix. 12B In I Out I 4/2 Ch	2.11	1.0	2.2	AA 1.0	AA 1.5	AA 2.1	AA 2.1	AA 1.1	AA 1.0	AA 1.0
	IC200ALG431	Analog Mix. 12B In V Out U V 4/2 Ch	2.11	1.0	2.2	AA 1.0	AA 1.5	AA 2.1	AA 2.1	AA 1.1	AA 1.0	AA 1.0
	IC200ALG432	Analog Mix. 12B In V Out B V 4/2 Ch	2.11	1.0	2.2	AA 1.0	AA 1.5	AA 2.1	AA 2.1	AA 1.1	AA 1.0	AA 1.0
<b>Discrete Inputs</b>	IC200MDL140	In 120VAC Grouped 8 Pt	2.11	1.1	2.4	AA 1.0	AA 1.5	AA 2.1	AA 2.1	AA 1.1	AA 1.0	AA 1.0
	IC200MDL141	In 240VAC Grouped 8 Pt	2.11	1.1	2.4	AA 1.0	AA 1.5	AA 2.1	AA 2.1	AA 1.1	AA 1.0	AA 1.0
	IC200MDL143	In 120VAC Isolated 8 Pt	2.11	1.5	2.4	AA 1.0	AA 1.5	AA 2.1	AA 2.1	AA 1.1	AA 1.0	AA 1.0
	IC200MDL144	In 240VAC Isolated 4 Pt	2.11	1.5	2.4	AA 1.0	AA 1.5	AA 2.1	AA 2.1	AA 1.1	AA 1.0	AA 1.0
	IC200MDL240	In 120VAC Grouped 16 Pt	2.11	1.0	2.2	AA 1.0	AA 1.5	AA 2.1	AA 2.1	AA 1.1	AA 1.0	AA 1.0
	IC200MDL241	In 240VAC Grouped 16 Pt	2.11	1.0	2.2	AA 1.0	AA 1.5	AA 2.1	AA 2.1	AA 1.1	AA 1.0	AA 1.0
	IC200MDL243	In 120VAC Isolated 16 Pt	2.11	1.5	2.4	AA 1.0	AA 1.5	AA 2.1	AA 2.1	AA 1.1	AA 1.0	AA 1.0
	IC200MDL244	In 240VAC Isolated 8 Pt	2.11	1.5	2.4	AA 1.0	AA 1.5	AA 2.1	AA 2.1	AA 1.1	AA 1.0	AA 1.0
	IC200MDL631	In 125VDC Pos/Neg Isolated 8 Pt	2.11	1.5	2.4	AA 1.0	AA 1.5	AA 2.1	AA 2.1	AA 1.1	AA 1.0	AA 1.0
	IC200MDL632	In 125VDC Pos/Neg Isolated 16 Pt	2.11	1.5	2.4	AA 1.0	AA 1.5	AA 2.1	AA 2.1	AA 1.1	AA 1.0	AA 1.0
	IC200MDL635	In 48VDC Pos/Neg Grouped 16 Pt	2.11	1.5	2.4	AA 1.0	AA 1.5	AA 2.1	AA 2.1	AA 1.1	AA 1.0	AA 1.0
	IC200MDL636	In 48VDC Pos/Neg Grouped 32 Pt	2.11	1.5	2.4	AA 1.0	AA 1.5	AA 2.1	AA 2.1	AA 1.1	AA 1.0	AA 1.0
	IC200MDL640	In 24VDC Pos/Neg Grouped 16 Pt	2.11	1.0	2.2	AA 1.0	AA 1.5	AA 2.1	AA 2.1	AA 1.1	AA 1.0	AA 1.0
	IC200MDL643	In 5/12VDC Pos/Neg Grouped 16 Pt	2.11	1.5	2.4	AA 1.0	AA 1.5	AA 2.1	AA 2.1	AA 1.1	AA 1.0	AA 1.0
	IC200MDL644	In 5/12VDC Pos/Neg Grouped 32 Pt	2.11	1.5	2.4	AA 1.0	AA 1.5	AA 2.1	AA 2.1	AA 1.1	AA 1.0	AA 1.0
IC200MDL650	In 24VDC Pos/Neg Grouped 32 Pt	2.11	1.0	2.2	AA 1.0	AA 1.5	AA 2.1	AA 2.1	AA 1.1	AA 1.0	AA 1.0	

Catalog Number		Description	Simplicity ME	VersaPro	Control 90	CPU001	CPU002	CPU005	CPUE05	DBI001	EBI001	GBI001	PBI001
Discrete Outputs	IC200MDL329	Out 120VAC .5A Isolated 8 Pt	2.11	1.1	2.4	AA 1.0	AA 1.5	AA 2.1	AA 2.1	AA 1.1	AA 1.0	AA 1.0	AA 1.0
	IC200MDL330	Out 120VAC .5A Isolated 16 Pt	2.11	1.0	2.2	AA 1.0	AA 1.5	AA 2.1	AA 2.1	AA 1.1	AA 1.0	AA 1.0	AA 1.0
	IC200MDL331	Out 120VAC 2A Isolated 8 Pt	2.11	1.0	2.2	AA 1.0	AA 1.5	AA 2.1	AA 2.1	AA 1.1	AA 1.0	AA 1.0	AA 1.0
	IC200MDL730	Out 24VDC Pos 2A ESCP 8 Pt	2.11	1.0	2.2	AA 1.0	AA 1.5	AA 2.1	AA 2.1	AA 1.1	AA 1.0	AA 1.0	AA 1.0
	IC200MDL740	Out 12/24VDC Pos .5A Grouped 16 Pt	2.11	1.0	2.2	AA 1.0	AA 1.5	AA 2.1	AA 2.1	AA 1.1	AA 1.0	AA 1.0	AA 1.0
	IC200MDL741	Out 24VDC Pos .5A ESCP 16 Pt	2.11	1.0	2.2	AA 1.0	AA 1.5	AA 2.1	AA 2.1	AA 1.1	AA 1.0	AA 1.0	AA 1.0
	IC200MDL742	Out 24VDC Pos .5A ESCP 32 Pt	2.11	1.1	2.4	AA 1.0	AA 1.5	AA 2.1	AA 2.1	AA 1.1	AA 1.0	AA 1.0	AA 1.0
	IC200MDL743	Out 5/12/24VDC Neg .5A Grp. 16 Pt	2.11	1.5	2.4	AA 1.0	AA 1.5	AA 2.1	AA 2.1	AA 1.1	AA 1.0	AA 1.0	AA 1.0
	IC200MDL744	Out 5/12/24VDC Neg .5A Grp. 32 Pt	2.11	1.5	2.4	AA 1.0	AA 1.5	AA 2.1	AA 2.1	AA 1.1	AA 1.0	AA 1.0	AA 1.0
	IC200MDL750	Out 12/24VDC Pos .5A Grouped 32 Pt	2.11	1.0	2.2	AA 1.0	AA 1.5	AA 2.1	AA 2.1	AA 1.1	AA 1.0	AA 1.0	AA 1.0
	IC200MDL930	Out Relay 2A Isolated Form A 8 Pt	2.11	1.0	2.2	AA 1.0	AA 1.5	AA 2.1	AA 2.1	AA 1.1	AA 1.0	AA 1.0	AA 1.0
	IC200MDL940	Out Relay 2A Isolated Form A 16 Pt	2.11	1.0	2.2	AA 1.0	AA 1.5	AA 2.1	AA 2.1	AA 1.1	AA 1.0	AA 1.0	AA 1.0
Mixed Discrete	IC200MDD840	24VDC In/Out Relay 20/12 Pt	2.11	1.0	2.2	AA 1.0	AA 1.5	AA 2.1	AA 2.1	AA 1.1	AA 1.0	AA 1.0	AA 1.0
	IC200MDD841	24VDC In/Out/HSC 20/12 Pt	2.11	1.0	2.2	BB 1.1	AA 1.5	AA 2.1	AA 2.1	AA 1.1	AA 1.0	AB 1.1	BB 1.1
	IC200MDD842	24VDC Out ESCP/24VDC In 32	2.11	1.0	2.2	AA 1.0	AA 1.5	AA 2.1	AA 2.1	AA 1.1	AA 1.0	AA 1.0	AA 1.0
	IC200MDD843	24VDC In/Out Relay 10/ 6 Pt	2.11	1.0	2.2	AA 1.0	AA 1.5	AA 2.1	AA 2.1	AA 1.1	AA 1.0	AA 1.0	AA 1.0
	IC200MDD844	12/24VDC Pos Out .5A/24VDC P/N In 16/16 Pt	2.11	1.0	2.2	AA 1.0	AA 1.5	AA 2.1	AA 2.1	AA 1.1	AA 1.0	AA 1.0	AA 1.0
	IC200MDD845	24VDC P/N In/Out Relay Iso. 24 Pt	2.11	1.1	2.4	AA 1.0	AA 1.5	AA 2.1	AA 2.1	AA 1.1	AA 1.0	AA 1.0	AA 1.0
	IC200MDD846	120VAC In/Out Relay Iso. 8/8 Pt	2.11	1.1	2.4	AA 1.0	AA 1.5	AA 2.1	AA 2.1	AA 1.1	AA 1.0	AA 1.0	AA 1.0
	IC200MDD847	240VAC In/Out Relay Iso. 8/8 Pt	2.11	1.1	2.4	AA 1.0	AA 1.5	AA 2.1	AA 2.1	AA 1.1	AA 1.0	AA 1.0	AA 1.0
	IC200MDD848	120VAC In/Out .5A Iso. 8/8 Pt	2.11	1.1	2.4	AA 1.0	AA 1.5	AA 2.1	AA 2.1	AA 1.1	AA 1.0	AA 1.0	AA 1.0
	IC200MDD849	120VAC Iso. In/Out Relay Iso. 8/8 Pt	2.11	1.5	2.4	AA 1.0	AA 1.5	AA 2.1	AA 2.1	AA 1.1	AA 1.0	AA 1.0	AA 1.0
	IC200MDD850	240VAC Iso. In/Out Relay Iso. 4/8 Pt	2.11	1.5	2.4	AA 1.0	AA 1.5	AA 2.1	AA 2.1	AA 1.1	AA 1.0	AA 1.0	AA 1.0
	IC200MDD851	12VDC .5A Out/In 16/16 Pt	GC	2.02	GC	AA 1.0	AA 1.5	AA 2.1	AA 2.1	AA 1.1	AA 1.0	AA 1.0	AA 1.0

E

Catalog Number		Description	Cimplicity ME	VersaPro	Control 90	CPU001	CPU002	CPU005	CPUE05	DBI001	EBI001	GBI001	PBI001
Comm	IC200BEM002	PLC Profibus-DP Network Slave	2.11	1.0	2.2	BC 1.2	AA 1.5	AA 2.1	AA 2.1	AA 1.1	No	AB 1.1	BB 1.1
	IC200BEM103	PLC Devicenet Network Master	2.11	1.1	2.4	BC 1.2	AA 1.5	AA 2.1	AA 2.1	AA 1.1	No	AB 1.1	AB 1.1
	IC200BEM104	PLC ASI-Comm Network Master	GC	GC	GC	BC 1.2	AA 1.5	AA 2.1	AA 2.1	AA 1.1	No	AB 1.1	CE 2.02
	IC200CMM020	Serial Communications Module	GC	No	No	No	No	No	No	No	No	BF 2.20	No
Exp.	IC200ERM001	Expansion Receiver Isolated	2.11	1.1	No	BD 1.5	AA 1.5	AA 2.1	AA 2.1	No	AB 1.1	AC 1.5	BD 2.01
	IC200ERM002	Expansion Receiver	2.11	1.1	No	BD 1.5	AA 1.5	AA 2.1	AA 2.1	No	AB 1.1	AC 1.5	BD 2.01
	IC200ETM001	Expansion Transmitter	2.11	1.1	No	BD 1.5	AA 1.5	AA 2.1	AA 2.1	No	AB 1.1	AC 1.5	BD 2.01
Power Supplies, Accessories	IC200PWB001	Power Supply Booster Carrier	2.11	1.0	2.2	-	-	-	-	-	-	-	-
	IC200PWR001	Power Supply 24VDC	2.11	1.0	2.2	AA 1.0	AA 1.5	AA 2.1	No	AA 1.1	No	AA 1.0	1.0
	IC200PWR002	Power Supply Expansion 24VDC	2.11	1.0	2.2	AA 1.0	AA 1.5	AA 2.1	AA 2.1	AA 1.1	AA 1.0	AA 1.0	AA 1.0
	IC200PWR101	Power Supply 120/240VAC	2.11	1.0	2.2	AA 1.0	AA 1.5	AA 2.1	No	AA 1.1	No	AA 1.0	AA 1.0
	IC200PWR102	Power Supply Expansion 120/240VAC	2.11	1.0	2.2	AA 1.0	AA 1.5	AA 2.1	AA 2.1	AA 1.1	AA 1.0	AA 1.0	AA 1.0
	IC200PWR201	Power Supply 12VDC	2.11	1.1	2.3	AA 1.0	AA 1.5	AA 2.1	No	AA 1.1	No	AA 1.0	AA 1.0
	IC200PWR202	Power Supply Expansion 12VDC	2.11	1.1	2.3	AA 1.0	AA 1.5	AA 2.1	AA 2.1	AA 1.1	AA 1.0	AA 1.0	AA 1.0
	IC200ACC003	CPU RS485 Port Update Device	2.11	1.5	No	CE 2.1	AB 2.1	AA 2.1	AA 2.1	-	-	-	-

## A

- AC power selection, 3-12
- AC power selection jumper, 2-16
- Accumulator
  - type B operation, 13-12, 13-13
- Analog input module
  - IC200ALG620, 14-2
  - IC200ALG630, 14-10
- Analog input module IC200ALG230, 10-2
- Analog input module IC200ALG240, 10-9
- Analog input module IC200ALG260, 10-17
- Analog input module IC200ALG261, 10-24
- Analog input module IC200ALG262, 10-29
- Analog input module IC200ALG263, 10-34
- Analog input module IC200ALG264, 10-39
- Analog mixed module IC200ALG430, 12-2
- Analog mixed module IC200ALG431, 12-9
- Analog mixed module IC200ALG432, 12-17
- Analog output module IC200ALG320, 11-2
- Analog output module IC200ALG321, 11-9
- Analog output module IC200ALG322, 11-15
- Analog output module IC200ALG325, 11-21
- Analog output module IC200ALG326, 11-28
- Analog output module IC200ALG327, 11-34
- Analog output module IC200ALG328, 11-41
- Analog output module IC200ALG331, 11-48
- Analog wiring, 2-14
- Auxiliary I/O Terminals, 2-35

## B

- Backplane current draw for modules, C-4
- Barrier-Style Auxiliary I/O Terminals, 5-23
- Barrier-Style I/O Carrier, 4-2
- Box-Style Auxiliary I/O Terminals, 5-24
- Box-Style I/O Carrier, 4-5

## C

- Cable installation and removal, 2-25
- Cable shielding for analog modules, 2-24

- Cable wiring
  - for Connector Carrier, 2-26
- Cables, 2-24
- Carrier requirement for IC200MDL144, 7-13
- Carrier requirement for IC200MDL244, 7-28
- Carriers, 1-13
  - connecting, 2-6
- Color code on modules, 1-9
- Communications and signal wiring, 2-14
- Communications Modules for VersaMax, 1-17
- Compact Box-Style I/O Carrier, 4-14
- Compact Spring-Style I/O Carrier, 4-17
- COMREQ function block
  - High Speed Counters, 13-27
- Conformance to Standards, 2-2
- Connector carrier
  - cable types and wiring, 2-26
- Connector-Style I/O Carrier, 4-8, 4-20
- Control wiring, 2-14
- CPUs for VersaMax, 1-4

## D

- DeviceNet Modules User's Manual, 1-2
- DIN rail mounting, 2-5
- Disconnect-Style Interposing I/O
  - Terminals, 5-10
- Discrete Input Module IC200MDL140, 7-2
- Discrete input module IC200MDL141, 7-5
- Discrete Input Module IC200MDL143, 7-8
- Discrete input module IC200MDL144, 7-11
- Discrete input module IC200MDL240, 7-14
- Discrete input module IC200MDL241, 7-18
- Discrete input module IC200MDL243, 7-22
- Discrete input module IC200MDL244, 7-26
- Discrete input module IC200MDL631, 7-29
- Discrete input module IC200MDL632, 7-32
- Discrete input module IC200MDL635, 7-36
- Discrete input module IC200MDL636, 7-39
- Discrete input module IC200MDL640, 7-43
- Discrete input module IC200MDL643, 7-46
- Discrete input module IC200MDL644, 7-50
- Discrete input module IC200MDL650, 7-54
- Discrete input/output module
  - IC200MDD840, 9-2
- Discrete input/output module
  - IC200MDD842, 9-6

# Index

---

Discrete input/output module  
  IC200MDD843, 9-13  
Discrete input/output module  
  IC200MDD844, 9-17  
Discrete input/output module  
  IC200MDD845, 9-23  
Discrete input/output module  
  IC200MDD846, 9-30  
Discrete input/output module  
  IC200MDD847, 9-34  
Discrete input/output module  
  IC200MDD848, 9-38  
Discrete input/output module  
  IC200MDD849, 9-43  
Discrete input/output module  
  IC200MDD850, 9-47  
Discrete input/output module  
  IC200MDD851, 9-51  
Discrete output module IC200MDL329, 8-2  
Discrete output module IC200MDL330, 8-6  
Discrete output module IC200MDL331, 8-10  
Discrete output module IC200MDL730, 8-14  
Discrete output module IC200MDL740, 8-17  
Discrete output module IC200MDL741, 8-21  
Discrete output module IC200MDL742, 8-25  
Discrete output module IC200MDL743, 8-29  
Discrete output module IC200MDL744, 8-32  
Discrete output module IC200MDL750, 8-36

## E

Ethernet NIU User's Manual, 1-2  
Expansion cable  
  installation, 2-10  
Expansion cable length and data rate, 6-4, 6-10  
Expansion cables IC200CBL601, 602, 615, 6-6  
Expansion connector kit IC200ACC202, 6-6

Expansion modules  
  catalog numbers, 1-15  
Expansion Receiver Module  
  installation, 2-8  
Expansion Receiver Module  
  (IC200ERM002), 6-14  
Expansion Receiver Module, Isolated  
  (IC200ERM001), 6-7  
Expansion Transmitter Module, 6-2  
  installation, 2-7

## F

Field Power LED, 1-9

## G

Genius NIU User's Manual, 1-2  
Grounding, 2-19

## H

High Speed Counter module, 13-2  
Hot insertion, 1-3, 2-41

## I

I/O carriers, 1-9  
I/O Filler IC200ACC301, 15-2  
I/O Modules  
  catalog numbers, 1-11  
IC200ACC201, 6-4, 6-6, 6-12, 6-18  
IC200ACC202, 6-6, 6-12, 6-18  
IC200ACC301, 15-2  
IC200ACC302, 15-3  
IC200ALG230, 10-2  
IC200ALG240, 10-9  
IC200ALG260, 10-17  
IC200ALG261, 10-24  
IC200ALG262, 10-29  
IC200ALG263, 10-34  
IC200ALG264, 10-39  
IC200ALG320, 11-2  
IC200ALG321, 11-9  
IC200ALG322, 11-15  
IC200ALG325, 11-21  
IC200ALG326, 11-28  
IC200ALG327, 11-34

- IC200ALG328, 11-41
- IC200ALG331, 11-48
- IC200ALG430, 12-2
- IC200ALG431, 12-9
- IC200ALG432, 12-17
- IC200ALG620, 14-2
- IC200ALG630, 14-10
- IC200BEM002, 1-17
- IC200BEM103, 1-18
- IC200BEM104, 1-2, 1-18
- IC200CBL002, 6-5, 6-6, 6-12
- IC200CBL105, 1-14, 2-24, 4-10
- IC200CBL110, 1-14, 2-24, 4-10
- IC200CBL120, 1-14, 2-24, 4-10
- IC200CBL230, 1-14, 2-24, 4-10
- IC200CBL601, 6-6, 6-12, 6-18
- IC200CBL602, 6-6, 6-12, 6-18
- IC200CBL615, 6-6, 6-12, 6-18
- IC200CHS001, 4-2
- IC200CHS002, 4-5
- IC200CHS003, 4-8
- IC200CHS005, 4-11
- IC200CHS006, 4-20
- IC200CHS011, 5-2
- IC200CHS012, 5-4
- IC200CHS014, 5-6
- IC200CHS015, 5-8
- IC200CHS022, 4-14
- IC200CHS025, 4-17
- IC200CHS101 and 102, 5-10
- IC200CHS111 and IC200CHS112, 5-14
- IC200DBI001, 1-7
- IC200EBI001, 1-7
- IC200ERM001, 6-7
- IC200ERM002, 6-14
- IC200ETM001, 6-2
- IC200GBI001, 1-7
- IC200MDD840, 9-2
- IC200MDD841, 13-2
- IC200MDD842, 9-6
- IC200MDD843, 9-13
- IC200MDD844, 9-17
- IC200MDD845, 9-23
- IC200MDD846, 9-30
- IC200MDD847, 9-34
- IC200MDD848, 9-38
- IC200MDD849, 9-43
- IC200MDD850, 9-47
- IC200MDD851, 9-51
- IC200MDL140, 7-2
- IC200MDL141, 7-5
- IC200MDL143, 7-8
- IC200MDL144, 7-11
- IC200MDL240, 7-14
- IC200MDL241, 7-18
- IC200MDL243, 7-22
- IC200MDL244, 7-26
- IC200MDL329, 8-2
- IC200MDL330, 8-6
- IC200MDL331, 8-10
- IC200MDL631, 7-29
- IC200MDL632, 7-32
- IC200MDL635, 7-36
- IC200MDL636, 7-39
- IC200MDL640, 7-43
- IC200MDL643, 7-46
- IC200MDL644, 7-50
- IC200MDL650, 7-54
- IC200MDL730, 8-14
- IC200MDL740, 8-17
- IC200MDL741, 8-21
- IC200MDL742, 8-25
- IC200MDL743, 8-29
- IC200MDL744, 8-32
- IC200MDL750, 8-36
- IC200MDL930, 8-40
- IC200MDL940, 8-44
- IC200PBI001, 1-7
- IC200TBM005, 5-25
- Input Simulator IC200ACC302, 15-3
- Interposing Barrier-Style I/O Terminals, 5-2
- Interposing Box-Style I/O Terminals, 5-4
- Interposing Thermocouple Compensation  
Box-Style I/O Terminals, 5-6

## K

- Keying, 2-39
- Keying dials on carrier, 1-9
- Keying summary, D-1

## M

- Manuals, 1-2
- Mixed discrete module IC200MDD841, 13-2
- Module color code, 1-9

# Index

---

Module dimensions, 1-9  
Module installation, 2-40  
Module keying, 1-9  
Module latch, 1-9, 2-40  
Module orientation on I/O carriers, 1-13  
Modules per station, 1-3  
MOV, 2-18

## N

Network Interface Units for VersaMax, 1-6  
NIU  
    Devicenet, 1-7  
    Ethernet, 1-7  
    Genius, 1-7  
    Profibus, 1-7  
NIU serial port, 6-5

## O

OK LED, 1-9

## P

Power and Ground Wiring, 2-15  
Power Supplies, 1-8  
    IC200PWR001, 3-2  
    IC200PWR002, 3-4  
    IC200PWR101, 3-9  
    IC200PWR102, 3-11  
    IC200PWR201, 3-13  
    IC200PWR202, 3-15  
Power supply  
    installation, 2-12  
Power Supply Booster Carrier  
    IC200PWB001, 4-23  
Power wiring, 2-14  
Profibus Modules User's Manual, 1-2

## R

Rack Selection Switch, 6-9  
Relay contact ratings, B-1  
Relay Output Module IC200MDL930, 8-40  
Relay Output Module IC200MDL940, 8-44  
Relay-Style Interposing I/O Terminals, 5-14

## S

Serial cable IC200CBL002, 6-5  
Serial numbers, 2-2  
Serial port  
    pass-through, 6-5  
Shipping damage, 2-2  
Shorting bar  
    installation, 2-37  
Specifications  
    IC200ALG230, 10-3  
    IC200ALG240, 10-10  
    IC200ALG260, 10-18  
    IC200ALG261, 10-25  
    IC200ALG262, 10-30  
    IC200ALG263, 10-35  
    IC200ALG264, 10-41  
    IC200ALG320, 11-3  
    IC200ALG321, 11-10  
    IC200ALG322, 11-16  
    IC200ALG325, 11-22  
    IC200ALG326, 11-29  
    IC200ALG327, 11-35  
    IC200ALG328, 11-42  
    IC200ALG331, 11-49  
    IC200ALG430, 12-3  
    IC200ALG431, 12-11  
    IC200ALG432, 12-19  
    IC200ALG620, 14-4  
    IC200ALG630, 14-12  
    IC200ERM001, 6-12  
    IC200ERM002, 6-18  
    IC200ETM001, 6-6  
    IC200MDD840, 9-3  
    IC200MDD841, 13-5  
    IC200MDD842, 9-8  
    IC200MDD843, 9-14  
    IC200MDD844, 9-19  
    IC200MDD845, 9-25  
    IC200MDD846, 9-31  
    IC200MDD847, 9-35  
    IC200MDD848, 9-39  
    IC200MDD849, 9-44  
    IC200MDD850, 9-48  
    IC200MDD851, 9-52  
    IC200MDL140, 7-3  
    IC200MDL141, 7-6  
    IC200MDL143, 7-9  
    IC200MDL144, 7-12



IC200MDL240, 7-15  
IC200MDL241, 7-19  
IC200MDL243, 7-23  
IC200MDL244, 7-27  
IC200MDL329, 8-3  
IC200MDL330, 8-7  
IC200MDL331, 8-11  
IC200MDL631, 7-30  
IC200MDL632, 7-33  
IC200MDL635, 7-37  
IC200MDL636, 7-40  
IC200MDL640, 7-44  
IC200MDL643, 7-47  
IC200MDL644, 7-51  
IC200MDL650, 7-55  
IC200MDL730, 8-15  
IC200MDL740, 8-18  
IC200MDL741, 8-22  
IC200MDL742, 8-26  
IC200MDL743, 8-30  
IC200MDL744, 8-33  
IC200MDL750, 8-37  
IC200MDL930, 8-41  
IC200MDL940, 8-45  
IC200PWR001, 3-3  
IC200PWR002, 3-5  
IC200PWR101, 3-10  
IC200PWR102, 3-12  
IC200PWR201, 3-14  
IC200PWR202, 3-16  
System, 1-19  
Spring-Style Auxiliary I/O Terminals, 5-25  
Spring-Style I/O Carrier, 4-11  
Spring-Style Interposing I/O Terminals, 5-8  
Suppression, 2-18  
System Wiring Guidelines, 2-14

## T

Technical Support. *See* page iii  
Terminal Numbering, 2-21, 2-22, 2-23  
Terminal Numbering for connector kit, 2-25  
Terminator Plug IC200ACC201, 6-4, 6-6  
Terminator plug not required for single-ended installation, 6-16  
Thermal Clearance, 2-4, A-2  
Thermocouple Input Module, 14-10

## V

VersaMax PLC User's Manual, 1-2

## W

Wiring for I/O Devices, 2-20