

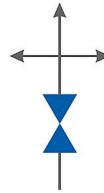
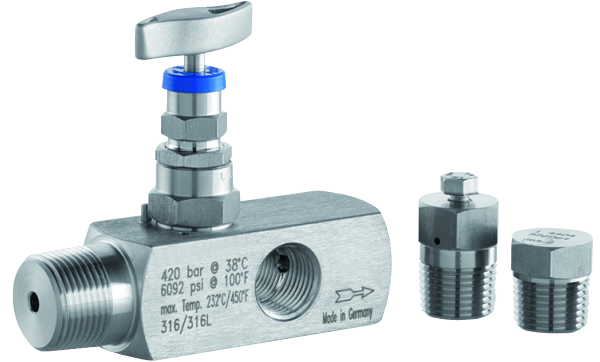
Multiport Valves – V02 Series

FEATURES

- Isolates process from instrument assembly
- Connects multiple instruments to one isolation valve
- 316L SS construction
- Pipe plugs and vent plugs available
- Support mounting brackets available

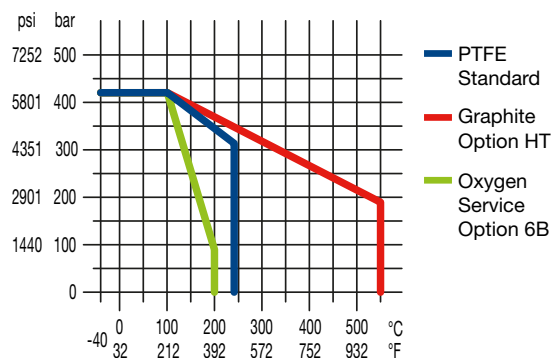
TYPICAL USES

- Oil & Gas Industry
 - Upstream: Onshore/offshore production
 - Midstream: Transport, storage and natural gas compression
 - Downstream: Refineries and petrochemical industries
- Chemical Industry
- Power Plants
 - Conventional power plants
 - Flue gas desulfurization plants
- Other Industries
 - Waste incineration plants
 - Seawater desalination plants
 - Steel mills
 - Cement plants



SPECIFICATIONS

Process Connection:	½ NPT Male, ½ NPT Female
Instrument Connection:	½ NPT Female
Construction:	316 SS
Max. Pressure Rating:	6092 psi at 100 °F (420 bar at 38°C) more details, check chart below
Max. Temp. Rating for:	
PTFE	450°F (232°C)
Graphite	1,022°F (550°C)
Oxygen service	392°F (200°C)
Min. Temp. Rating for:	
PTFE	-40°F (-40°C)
Graphite	-40°F (-40°C)



- Available for oxygen service
- Color-coded dust caps prevent dust ingress and identifies handle function
- PTFE Packing (other materials available upon request)
- Stem with cold rolled surface, back seat and non-rotating needle tip
- Supplied with wetted parts according to NACE MR0175/ MR0103 (CD-5 Certificate)
- Material traceability reports available per EN 10204 3.1

WETTED COMPONENTS

Parts	Material
Body & Valve Stem	316L SS
Needle Tip	316Ti SS
Packing	PTFE up to 392°F (200°C)
Gland Nut	316 SS

NON-WETTED COMPONENTS

Parts	Material
Bonnet	316 SS
T-Handle	SS

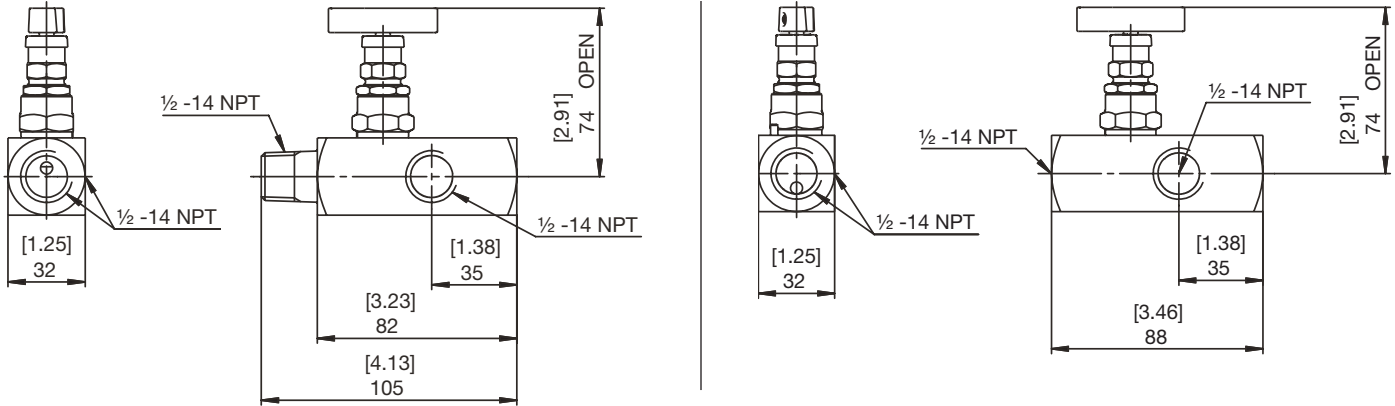
Multiport Valves – V02 Series

ORDERING CODE	Example:	04	V02	MV	A	SS	50	XHT
Process Connection								
04 - ¼ NPT Male (style A only)								
50 - ½ NPT Female								
Series Code								
V02 - Valve			V02					
Valves								
MV - Multiport Valve				2V				
Version								
A - Style B (L-Shape)					A			
Material								
SS - 316L SS						SS		
PM - Monel® 400								
HH - Hastelloy® C-276								
Instrument Connection								
50 - ½ NPT Female							50	
Options (if choosing an option(s) must include an "X")								
C3 - Material traceability report per EN 10204 3.1								X__
CD-5 - Certificate according to NACE for Oilfields MR0175/ISO 15156-2009 and for Refineries MR0103-2010								
HY - Hydrostatic testing								
MQ - Positive material identification (PMI-Test)								
NH - SS Tags wired to valve								
TM - 2" Pipe mounting bracket								
6B - Cleaned for oxygen service								

Multiport Valves – V02 Series

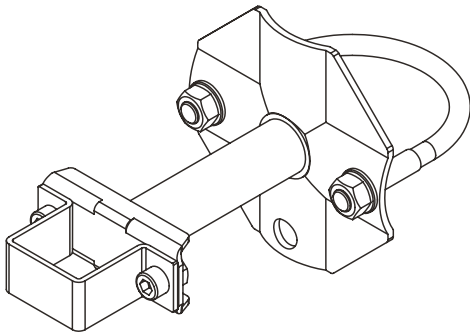
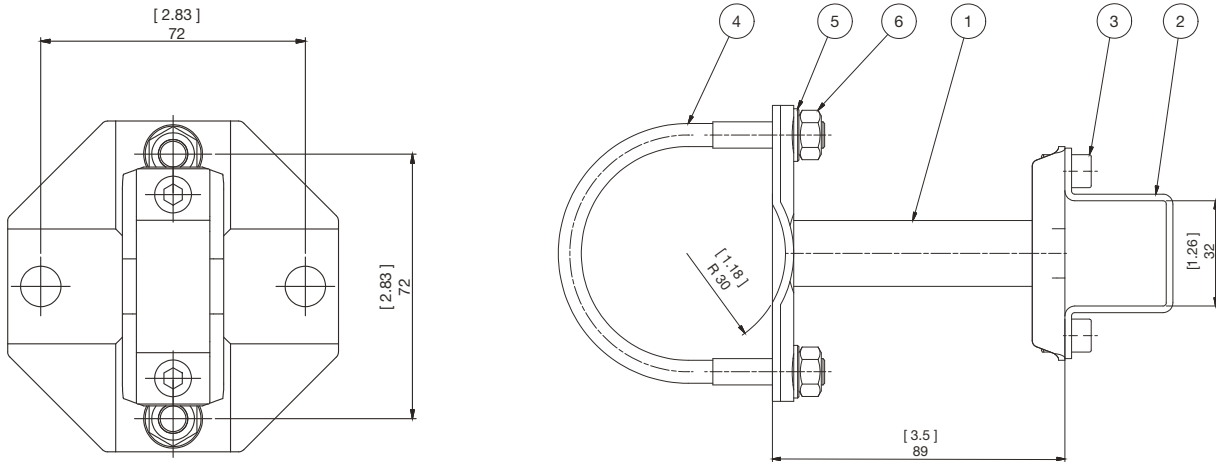
DIMENSIONS (DIMENSIONS IN [] ARE DECIMAL INCHES)

For reference only, consult Ashcroft for specific dimensional drawings.



OPTION TM - 2" PIPE MOUNTING BRACKET (DIMENSIONS IN [] ARE DECIMAL INCHES)

For reference only, consult Ashcroft for specific dimensional drawings.



Pos.	Description	Material
1	Mounting bracket	316Ti SS
2	Bracket	316Ti SS
3	Socket head cap screw ISO 4762 -M6x10	316 SS
4	U-bolt M8 for 2" pipe	316 SS
5	Washer 8,4 DIN 128-B	316 SS
6	Hexagon nut DIN EN 24032-M8	316 SS