

- Double-Sided
- No Filling Required
- Visual Pressure Range Markers
- Corrosion Resistant

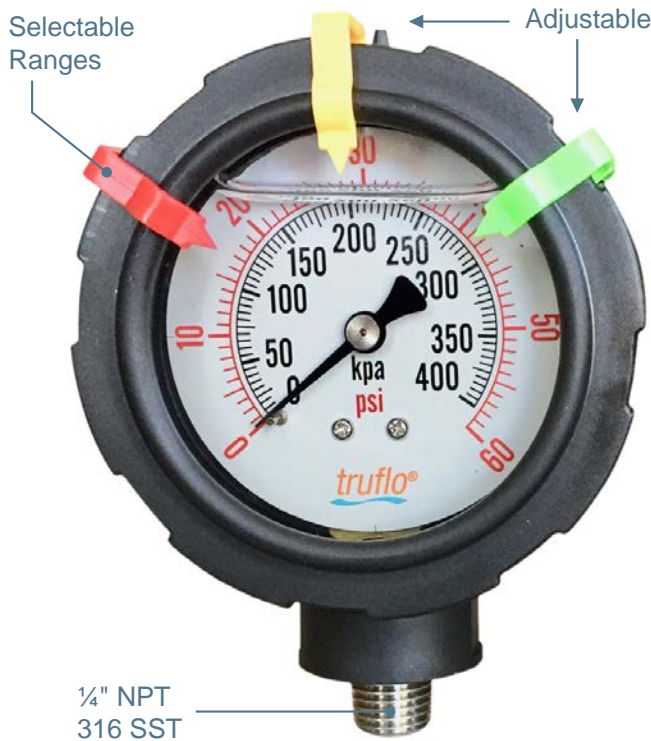
PP

316 SS



SERIES : OBS-DGO

CONNECTION : 316 SS - ¼" NPT / G



Double Sided Design



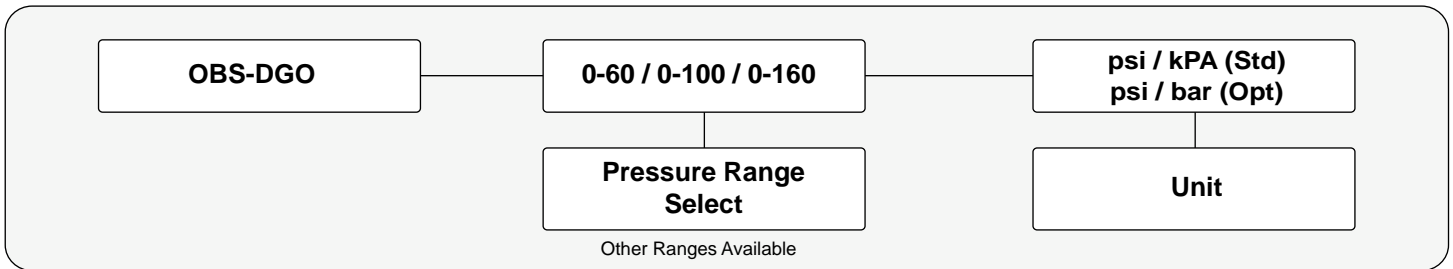
FEATURES

- Heavy Duty / Double Sided
- Suitable for Corrosive Environments
- Dual Scales
- Heavy Duty Design
- 3 Range Tabs / **Red** / **Yellow** / **Green**
- Large 2½" Color Display
- High Accuracy / ±0.75 %
- Factory Pre-Filled
- Glycerin (Std) / Silicone (Opt)
- Visual Pressure Ranges
- Simple to Install
- Perfect Mate for Plastic Isolators

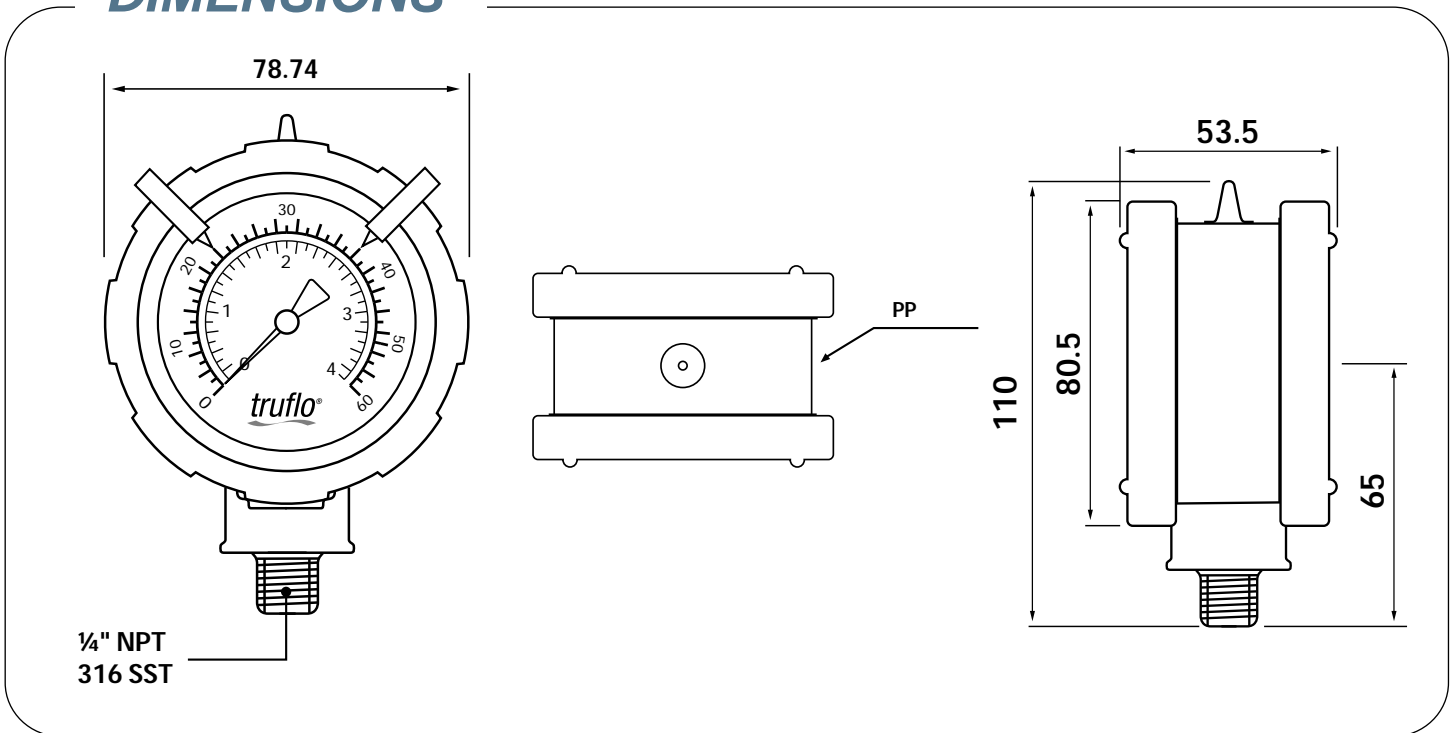
SPECIFICATIONS

Dial Diameter	Large 2½" Face / Big Numbers / Clear Markers
Mounting	Direct Mount / Bottom Connection
Housing	Polypropylene
Lens	High Impact Polycarbonate
Dial	Red & Black Scale White Background / dial arc 270°
Measuring Principle	Bourdon Tube / SS316 / Brass
Movement	SS316 / Brass
Gauge	Red / Yellow / Green / Movable Plastic Pressure Range Pointers Fitted on the Bezel
Connection	¼" (M) NPT / G Type / 316 SST
Filling	Glycerin / Silicone (Opt)
Accuracy	±0.75%
Operating temperature	Max. Working Temp / PP - 180°F
Pressure Range	Standard Ranges / 0-60 / 0-100 / 0-160 psi (Second Scale: kPa) Other units available bar / MPa - Pressures up to 1500 psi available

HOW TO ORDER



DIMENSIONS



Installation

Do not tighten by grasping the case of the gauge as this may cause damage.

1. Before installing the OBS Series pressure gauge, ensure attention is given to the Process Liquid, Chemical Compatibility, Temperature, Vibration, Pressure Spikes, and other climatic and application conditions that may adversely affect the performance.
2. The user shall ensure that the correct gauge pressure range and the correct materials of construction are selected.

