

## Introduction

The ShockWatch® g-View is a simple solution for monitoring and recording impacts during transportation and storage. The device provides an accurate record of the dates and times at which the user-defined impact threshold limit is exceeded on the X, Y, and Z axes. With the capacity to record data for 100 over-threshold events per axis, the g-View alerts a potentially damaging impact has occurred so you can respond appropriately.

FEATURES
<b>X, Y and Z impact thresholds that can be independently programmed for precise monitoring</b>
<b>Sensors to record date, time, internal temperature, axis exceeded, and axis amplitude</b>
<b>LED lights for visual notification of threshold breaches</b>

## Contents

Specifications .....	2
How to Use the ShockWatch g-View .....	3
Best Practices for Mounting.....	4
Drawings.....	5
Accessories & Related Products.....	6
Quality .....	6
Ordering Information.....	6
Technical Support .....	6
Warranty .....	6
Limitation of Liability.....	7

## Specifications

<b>g-View Key Specifications</b>	
<b>Operating Temperature Range</b>	-10°C to 50°C / 14°F to 122°F
<b>Dimensions</b>	70mm x 50mm x 30mm / 2.8in x 2.0in x 1.2in
<b>Weight</b>	81g / 2.56oz
<b>Battery</b>	1 x Alkaline Size AA (replaceable)
<b>Battery Life</b>	Up to 6 months
<b>Case Material</b>	PC / ABS
<b>Sealing</b>	IP65
<b>Accelerometers</b>	Piezo
<b>Shock Range (Factory Set)</b>	10G or 25G
<b>Cutoff Frequency (Factory Set)</b>	25Hz or 40Hz
<b>Alarm Threshold (% of Range)</b>	20–90% per axis
<b>Shock Accuracy</b>	+/-6% of full scale
<b>Resolution</b>	0.1G
<b>Memory</b>	100 events per axis
<b>Communications</b>	iButton
<b>Software</b>	Functions on Windows XP, Vista, 7
<b>Alarm Threshold Breach Indication</b>	LED

## How to Use the ShockWatch g-View

The g-View attaches directly to the product or packaging and records events above user-defined thresholds, along with the date and time. The information provided by the g-View makes it possible to identify the exact time and date of when potentially damaging mishandling events occurred, as well as temperature. The LED indicator on the unit will indicate if an alarm threshold has been breached on any axis.

Controlled completely through an iButton® interface, users are able to quickly set up and download the g-View through a single-screen software interface. Simply set an impact level threshold, send the setup to the g-View through the iButton interface, and you're ready to record. At the end of a journey, download the collected data with the iButton and load the data to a computer for review and analysis.

### iButton Functions:

**Clock** (Black): Sets the g-View's clock to match the PC's clock

**Setup** (Green): Allows the user to send a new setup to the g-View

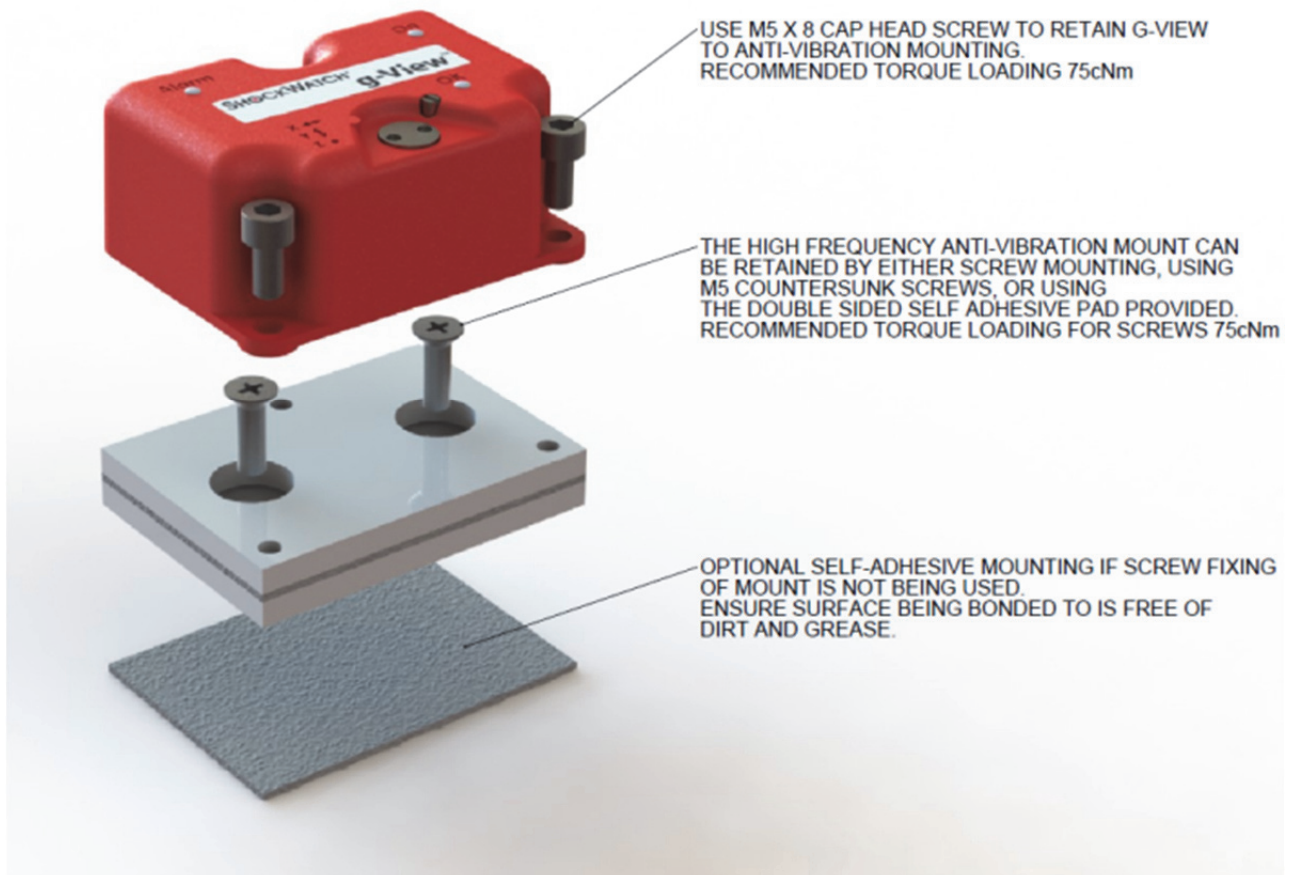
**Download** (Red): Enables the user to download a file from the g-View

### Basic Instructions\*:

1. Connect the Clock iButton to the PC via the communications cable
2. Program the Clock iButton using the g-View software
3. Repeat Steps 1 and 2 with the Setup iButton
4. Place the Clock iButton followed by the Setup iButton on the g-View to transfer data
5. Mount the g-View to the product being monitored
6. Place the Download iButton on the g-View to retrieve event information
7. Connect the Download iButton to the PC for analysis

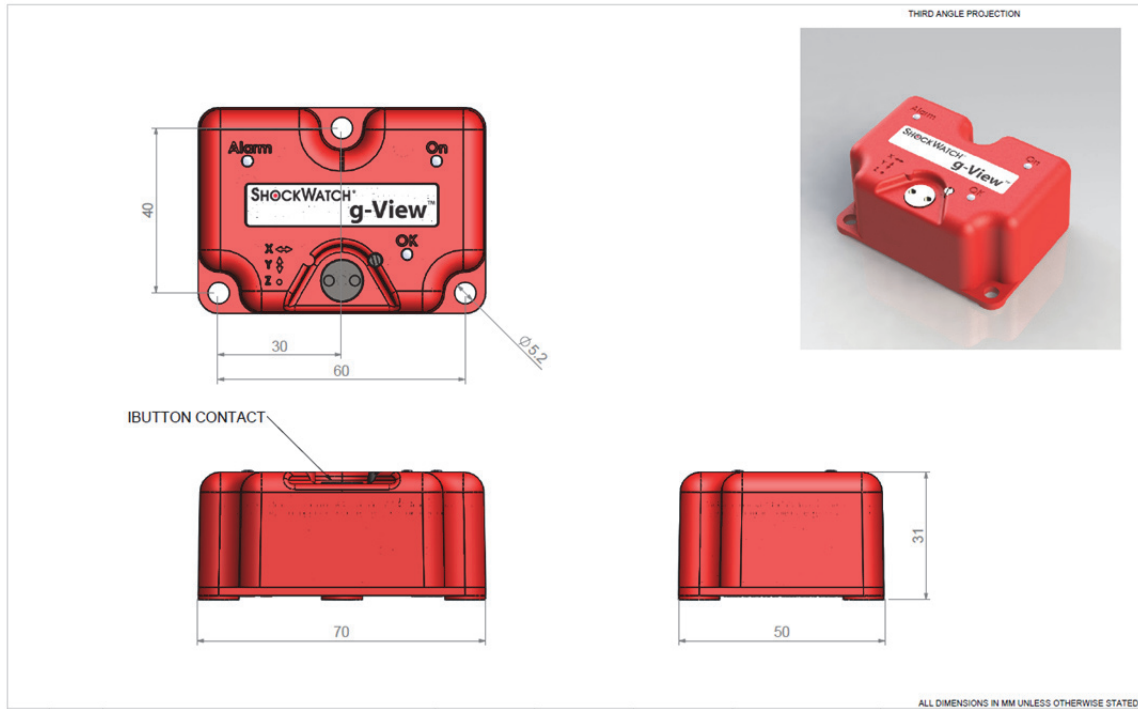
\*Please refer to the manual for full details.

## Best Practices for Mounting

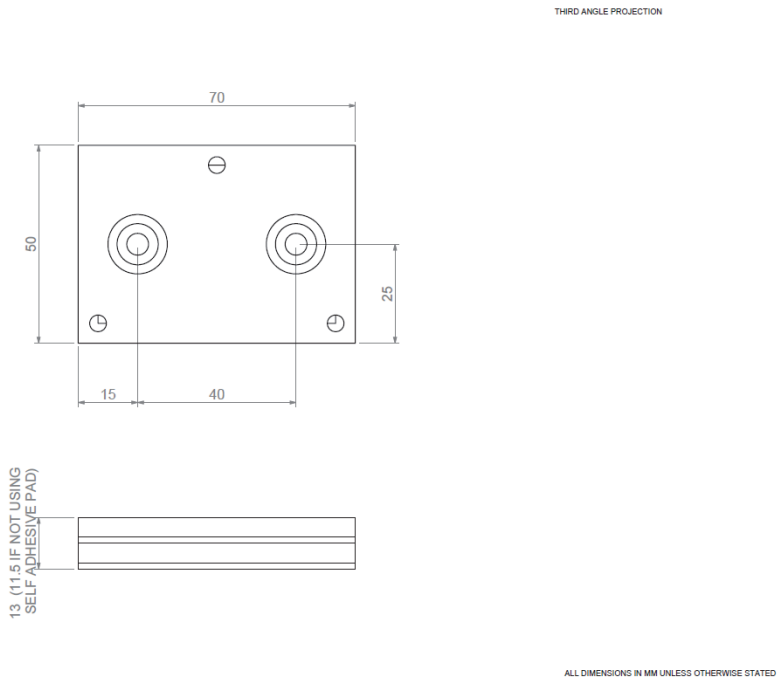


## Drawings

### g-View



### Mounting Plate



## Accessories & Related Products

New users of the g-View are required to purchase a kit in order to get all of the necessary iButton communication accessories and software licenses to correctly operate the g-View. The kit contains the following items (CD containing software and manual; Quick Start User Manual; iButton Set: download, setup, clock; 1 iButton USB Connection BUS and Cable; 1 AA Alkaline Battery). Additional iButtons and Mounting Kits can be ordered separately.

## Quality

This g-View impact recorder is compliant with the essential requirements and other relevant provisions of directives, ETSI EN 301 489, EN 61326, FCC Rules CFR47 Parts 15 and RTCA/DO160D. Copies of all of these Declarations of Conformity are available upon request.

## Ordering Information

Part Number	Description
<b>GV11025</b>	g-View 10g/25Hz Impact Monitor
<b>GV12540</b>	g-View 25g/40Hz Impact Monitor
<b>GV550</b>	g-View Communication Kit
<b>GV500</b>	g-View iButton Set
<b>GV429</b>	g-View Clock iButton
<b>GV428</b>	g-View Setup iButton
<b>GV427</b>	g-View Download iButton
<b>GV10GM</b>	Mounting Kit for g-View 10g/25H

## Technical Support

If you are unsure of how to use or interpret the ShockWatch g-View, please contact ShockWatch Technical Support at (800) 527-9497 or (214) 736-4580.

## Warranty

If a product fails to conform to the specifications stated in this document, the product may be returned to ShockWatch at any time prior to the product's specified expiration date or, if no expiration date is specified, within one year from the date of shipment. ShockWatch shall either refund the purchase price (without interest), or repair and/or replace the product (or, in the case of services, re-perform such services) at no additional cost. The warranty is void if the defect has resulted from accident, misuse, abuse or misapplication. Any product which is identified as defective during the warranty period and is returned to ShockWatch with a Return Material Authorization (RMA) number (which must be obtained from ShockWatch prior to any return) within thirty (30) days after discovery of the defect with a written description of the defect will be replaced by ShockWatch.

## Limitation of Liability

Seller makes no warranty, expressed or implied, except that the Products sold hereunder shall conform to Seller's written specifications for such Products as in effect and provided to Buyer by Seller at the time of sale of such Products to Buyer ("Seller's Specifications").

WARRANTY SET FORTH ABOVE IS EXCLUSIVE AND IN LIEU OF ANY AND ALL OTHER WARRANTIES, REPRESENTATIONS, AND COVENANTS, EXPRESS OR IMPLIED, STATUTORY, UNDER COMMON LAW OR OTHERWISE. EXCEPT AS PROVIDED IN THE SELLER'S TERMS & CONDITIONS, SELLER MAKES NO, AND EXPRESSLY DISCLAIMS, AND BUYER HEREBY EXPRESSLY WAIVES, IN EACH CASE TO THE MAXIMUM EXTENT PERMITTED BY APPLICABLE LAW, ANY AND ALL WARRANTIES, GUARANTEES, PROMISES, OR REPRESENTATIONS WITH RESPECT TO THE PRODUCTS, WHETHER WRITTEN, ORAL, EXPRESSED, OR IMPLIED, AND WHETHER IN FACT OR BY OPERATION OF LAW, STATUTORY, OR OTHERWISE, INCLUDING, WITHOUT LIMITATION, ANY IMPLIED WARRANTY OF MERCHANTABILITY OR SUITABILITY OR FITNESS FOR ANY PARTICULAR PURPOSE OR ANY WARRANTY OF NON-INFRINGEMENT (INCLUDING PATENT INFRINGEMENT, BOTH DIRECT AND INDIRECT, AND INCLUDING BOTH CONTRIBUTORY AND INDUCING PATENT INFRINGEMENT).

CONDITIONS, BUYER ASSUMES ALL RISK WHATSOEVER, AND SELLER (AND SELLER'S SHAREHOLDERS, DIRECTORS, MANAGERS, OFFICERS, EMPLOYEES, AND OTHER AFFILIATES (COLLECTIVELY, "SELLER'S AFFILIATES")) SHALL NOT BE LIABLE, FOR ANY LOSS, DAMAGE, OR LIABILITY INCURRED BY BUYER OR BY ANY USER OF ANY PRODUCTS ARISING OUT OF THE USE OF SUCH PRODUCTS, WHETHER SINGLY OR IN CONJUNCTION WITH ANY OTHER EQUIPMENT OR PROCESS, AND WHETHER DUE TO THE NEGLIGENCE OF SELLER OR ANY OTHER PERSON OR ENTITY. THE LIABILITY OF SELLER AND SELLER'S AFFILIATES FOR ANY FAILURE OF A PRODUCT TO CONFORM TO SELLER'S SPECIFICATIONS SHALL BE LIMITED EXCLUSIVELY TO, AT SELLER'S ELECTION, EITHER (1) REFUND OF THE PURCHASE PRICE PAID BY BUYER FOR SUCH PRODUCT (WITHOUT INTEREST) OR (2) REPAIR OR REPLACEMENT OF SUCH PRODUCT (OR, IN THE CASE OF SERVICES, REPERFORMANCE OF SUCH SERVICES). IN THE EVENT A COURT OF COMPETENT JURISDICTION SHOULD RULE THAT SELLER OR ANY OF SELLER'S AFFILIATES IS ANSWERABLE IN DAMAGES NOTWITHSTANDING THE LIMITATION OF LIABILITY SET FORTH HEREIN, THE AGGREGATE AMOUNT OF SUCH DAMAGES FOR WHICH SELLER AND SELLER'S AFFILIATES ARE LIABLE SHALL NOT EXCEED THE TOTAL OF ALL PAYMENTS MADE BY BUYER TO SELLER UNDER THE AGREEMENT WITH RESPECT TO THE RELEVANT PRODUCTS. SELLER AND SELLER'S AFFILIATES SHALL IN NO EVENT BE LIABLE TO BUYER OR ANY OTHER PERSON OR ENTITY FOR INDIRECT, SPECIAL, INCIDENTAL, CONSEQUENTIAL, PUNITIVE, OR EXEMPLARY DAMAGES, OR FOR DIMINUTION IN VALUE, LOST PROFITS, OR LOST BUSINESS OPPORTUNITY DAMAGES OF ANY NATURE, ARISING OUT OF OR RELATING IN ANY WAY TO THE PERFORMANCE UNDER OR BREACH OF THE AGREEMENT OR THE PURCHASE OR SALE OR USE OF THE PRODUCTS.

NOTWITHSTANDING ANYTHING TO THE CONTRARY CONTAINED HEREIN, BUYER EXPRESSLY ACKNOWLEDGES THAT SELLER HAS TESTED THE PRODUCTS ONLY AS SET FORTH IN THE SELLER'S SPECIFICATIONS AND NOT FOR USE WITH OR INCORPORATION INTO ANY PARTICULAR APPLICATION, AND BUYER ASSUMES AND BEARS ALL RISK AND RESPONSIBILITY OF DETERMINING THE SUITABILITY OF THE PRODUCTS FOR THE PURPOSE INTENDED BY BUYER OR BUYER'S CUSTOMER. BUYER SHALL NOT MAKE ANY REPRESENTATION TO ANY THIRD PARTY (1) REGARDING THE RELIABILITY OR ACCURACY OF THE PRODUCTS EXCEPT AS EXPRESSLY SET FORTH IN SELLER'S SPECIFICATIONS OR (2) TO THE EFFECT THAT SELLER HAS TESTED THE PRODUCTS FOR THE USE INTENDED BY BUYER OR SUCH THIRD PARTY.

BUYER SHALL INDEMNIFY, DEFEND, AND HOLD SELLER AND SELLER'S AFFILIATES HARMLESS FROM AND AGAINST ANY AND ALL CLAIMS, DEMANDS, LOSSES, DAMAGES, RESPONSIBILITIES, OBLIGATIONS, LIABILITIES, COSTS AND EXPENSES (INCLUDING WITHOUT LIMITATION ATTORNEY FEES, COURT COSTS, COSTS OF ALTERNATIVE DISPUTE RESOLUTION PROCEEDINGS, AND COSTS OF SETTLEMENT) BROUGHT BY ANY PARTY REGARDING PRODUCTS SOLD BY SELLER AND INCORPORATED INTO OTHER ITEMS MANUFACTURED OR SOLD BY BUYER, INCLUDING BUT NOT LIMITED TO ANY CLAIM OF DIRECT OR INDIRECT PATENT INFRINGEMENT.