

SecureCal™ Calibration Key

AccuSense™ Accessory



AccuSense™ Model ASM with SecureCal™ Accessory

SPECIFICATIONS

Display

Type	LCD STN Gray Reflective
Number of Characters	8 CH x 2 Lines
Character Size	1.845mm W x 2.595 mm H
Display Resolution	
5 VDC	4 digits (±0.1 mV Correction)
10 VDC	4 digits (±0.2mV Correction)
4 to 20 mA	6 digits (±0.00021mV Correction)

Environmental

Temperature	
Operating °F (°C)	+32 to +122 (0 to +50)
Storage °F (°C)	-4 to +158 (-20 to +70)

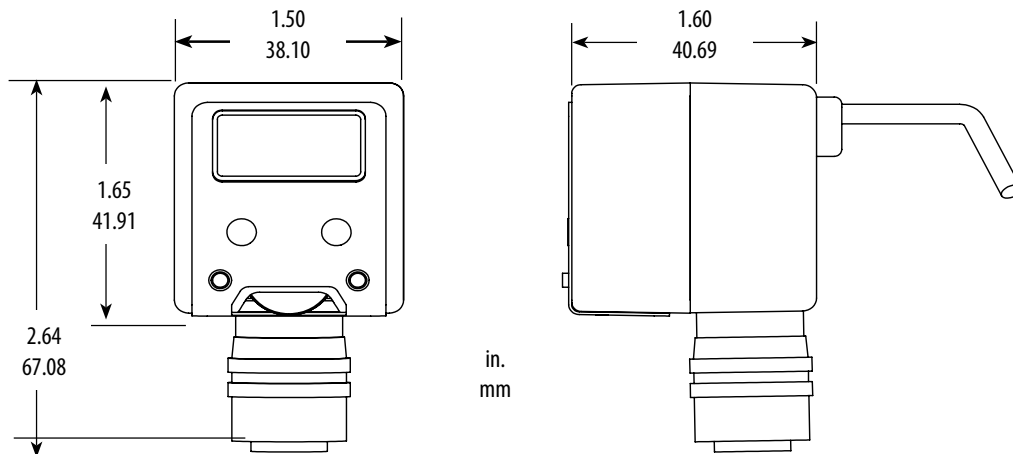
Electrical Data

Nominal Excitation	24 VDC
Excitation Range	15 to 30 VDC
Interface with Sensor	Serial Communications

DESCRIPTION

The SecureCal™ makes field calibration of AccuSense™ pressure transducers simple and secure. When connected to the transducer, the simple push-button performs Snap Zero, Snap Span and Factory Restore functions. The rotary dial provides fine analog output adjustments in the positive and negative direction (0.1mV resolution), eliminating the need for manual zero and span pot adjustments. The two-line LCD and LED confirmation lights provide immediate feedback for quick, in-place adjustments. SecureCal™ can be configured for voltage or current output AccuSense™ transducers.

DIMENSIONS



ORDERING INFORMATION

SEC1 - [] - [] [] [] - 03R - 00

Model	Input	Connection to AccuSense™ Transducer	Connection to Power Supply	Options
SEC1	V	TBR	03R	3ft (1m) Cable
	C	B3B		
		B4B		
		B5B		
		B6B		
		B7B		

Example Part No: SEC1VTBR03R00 = SecureCal Accessory, voltage input, removable terminal block connection, 3ft cable, no options

SSP-SecureCal RevA 5/2013