

# iMAG 4700

Municipal/Industrial Magmeter  
Instructions



The logo for Seametrics, featuring a blue swoosh above the word 'Seametrics' in a bold, black, sans-serif font.



## General Information

General Information .....	Page 3
Features .....	Page 3
Specifications .....	Page 4
Dimensions .....	Page 5
Accuracy .....	Page 6
Flow Rate .....	Page 6

## Installation

Straight Pipe Recommendations .....	Page 7
Full Pipe Recommendations.....	Page 8
Positioning the Meter .....	Page 9
Installing Gaskets.....	Page 9
Tightening Flange Bolts .....	Page 10
Equalization and Grounding (Metal and Plastic Pipe).....	Page 10

## Connections

General Cable Information.....	Page 11
Cable Installation .....	Page 11

## Configuration

Sourcing Mode Output Application.....	Page 12
Sinking Mode Output Application.....	Page 12
Analog (4-20mA Current Loop) Output Application.....	Page 12
Cable Shield.....	Page 13
Pulse Output.....	Page 13
Analog (4-20mA) Output.....	Page 14
Modbus Output.....	Page 14

## Operation

Changing Flow Meter Settings - Home Screen and General Navigation.....	Page 15
Changing Flow Meter Settings - Changing Total Direction/Resetting Totalizers .....	Page 15
Changing Flow Meter Settings - Entering Menu System.....	Page 15
Changing Flow Meter Settings - Making Selections.....	Page 15
Changing Flow Meter Settings - Standard Menu Options.....	Page 16
Changing Flow Meter Settings - Special Submenu.....	Page 16
To Change a Passcode .....	Page 17
Power Indicators .....	Page 18
Battery Powered Units .....	Page 18

## Troubleshooting & Error Messages

Problem.....	Page 19
Probable Cause.....	Page 19
Things to Try .....	Page 19
Error Messages.....	Page 19

## Warranty

Seametrics Limited Warranty .....	Back
-----------------------------------	------

Note: These instructions cover the iMAG 4700. For details on the iMAG 4700p or 4700r, see the *iMAG 4700p* or *iMAG 4700r Municipal/Industrial Magmeter Instructions*.

The **iMAG-Series** is the most economical flanged electromagnetic flowmeter on the market. With electrodes designed to discourage fouling, it is available in 2" to 12" pipe in municipal or industrial water, waste and reclaimed water, pump stations, and packaged plant applications. Minimal straight pipe requirements allow iMAG-Series meters to be used in piping configurations where there is little space between the meter and an elbow.

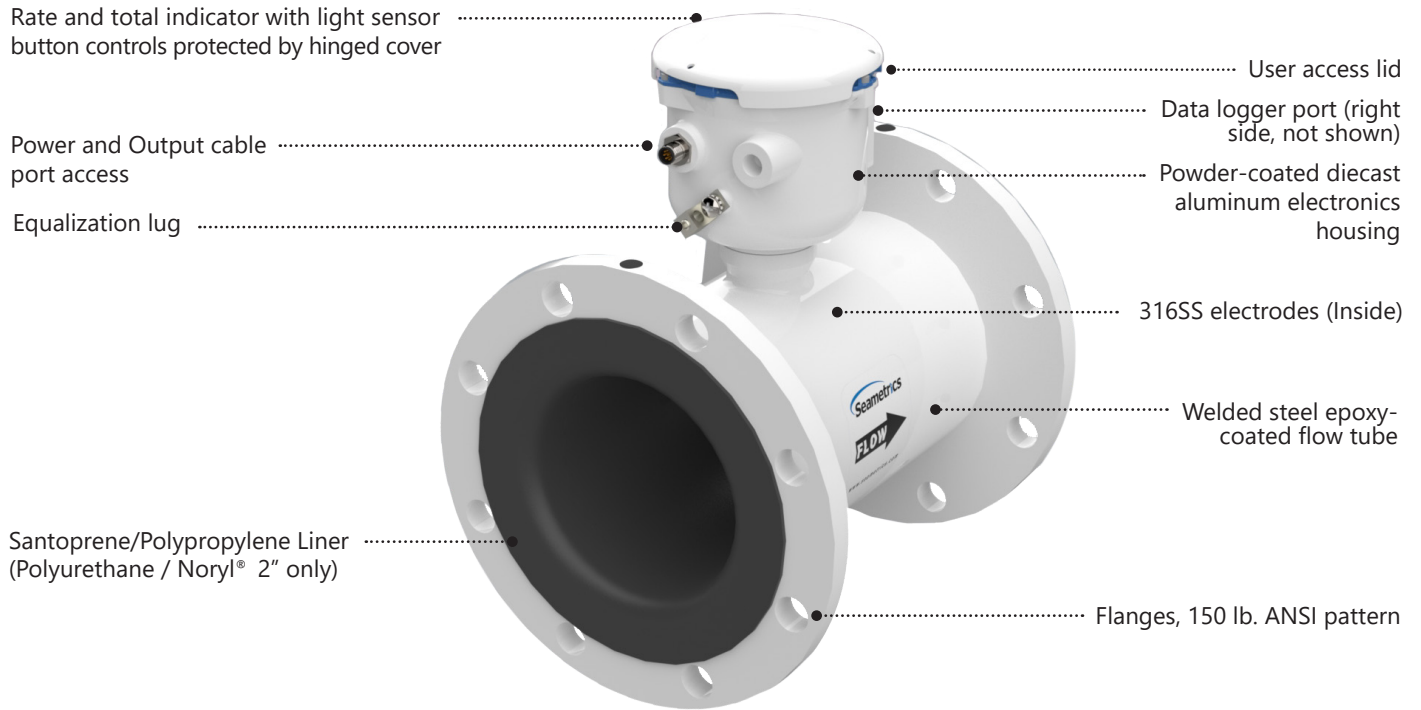
iMAG-Series meters are CE certified, certified to NSF/ANSI standard 61 and are rated IP68 for applications where the meter may be operated under water to a depth of at least 10 feet (3 meters) continuously.

Rate and total units and pulse scaling can be set via the front panel touch key pad by the user. Bidirectional flow reading is standard with totals available in forward, reverse, net flow, batch forward flow, and batch reverse flow. Batch totals can be reset.

A power/output cable allows outputs for use with a variety of Seametrics and other displays and controls for remote reading and telemetry applications. Pulse output is standard on all models. In addition, 4-20mA passive current loop, HART protocol, high speed digital, and Modbus® protocol outputs are optional.

**Battery powered Modbus available in April 2021.**

**Features**



**iMAG 4700**

## Specifications\*

<b>Pipe Sizes</b>	2", 3", 4", 6", 8", 10", 12" (2" AVAILABLE IN MAY 2021)						
<b>Flanges</b>	150 lb. ANSI Pattern						
<b>Pressure</b>	150 psi (10.3 bar) line pressure						
<b>Temperature Operating</b>	10° to 140° F (-12° to 60° C)						
<b>Storage</b>	-40° to 158° F (-40° to 70° C)						
<b>Accuracy</b>	±0.75% of reading on iMAG 4700p and 4700r (±1.0% iMAG 4700), ±0.025% of full-scale flow from low flow cutoff to maxi. flow rate of 10 m/sec						
<b>Low Flow Cutoff</b>	0.5% of maximum flow rate						
<b>Material</b>	<b>Body (2"-12")</b>	Welded steel, epoxy-coated					
	<b>Liner (2" &amp; 3")</b>	Polyurethane/Noryl®					
	<b>Liner (4"-12")</b>	Santoprene flange/Polypropylene liner body					
	<b>Electronics Housing</b>	Powder-coated diecast aluminum					
<b>Electrodes</b>	316 stainless steel						
<b>Display</b>	<b>Type</b>	128x64 dot-matrix LCD					
	<b>Digits</b>	5 Digit Rate			8 Digit Total		
	<b>Units</b>	Rate Volume Units		Rate Time Units	Total Volume Units		
	<i>Please Note: All iMAG meters are factory set for gallons per minute (GPM) rate and gallons total. If other units are required, they can be set in the field.</i>	Gallons Liters Barrels(42 gal) Cubic Feet Cubic Meters	Million Gallons <sup>2</sup> Mega Liters <sup>2</sup> Imperial Gallons Million Imperial Gallons <sup>2</sup>	Second Minute Hour Day	Gallons Gallons x 10 Gallons x 100 Gallons x 1000 Million Gallons Liters Kilo Liters Mega Liters	Barrels (42 gal) Cubic Meters Cubic Meters x 1000 Cubic Feet Cubic Feet x 1000 Second Foot Day Million Cubic Feet	Acre Feet Acre Inches Imperial Gallons Imperial Gallons x 1000 Million Imperial Gallons Gallons Fluid Ounces
<b>Bidirectional<sup>1</sup></b>	Forward Total, Reverse Total, Net Total, Batch Forward Total, Batch Reverse Total (Batch totals can be reset)						
<b>Power</b>	<b>DC Power</b>	9-36 Vdc @ 250 mA max, 30 mA average					
	<b>Battery Backup</b> <i>(Not for use as primary power)</i>	DC powered units: One lithium 7.2V 'D' size battery pack, replaceable. AC powered units: One 9V alkaline battery, replaceable.					
	<b>AC Power</b>	85-264Vac, 50/60Hz, 0.12A (iMAG 4700r and 4700p only)					
	<b>Battery</b>	One lithium 7.2V 'D' size battery pack, replaceable. (iMAG 4700 only)					
<b>Scaled Pulse Output</b>	<b>Signal</b>	Current sinking pulse, isolated, 36 Vdc at 10 mA max					
	<b>Pulse Rates</b>	User-scalable from 0.1 to 99,999.9 volume units/pulse. Pulse width is one-half of pulse period with minimum pulse width of 2.5 ms, 200 pulses/sec max. For battery option meters, pulse width varies with frequency, 150 pulses/sec max.					
<b>Options</b>	<b>4-20mA Current Loop</b>	Isolated, passive, 24Vdc, 650 Ω maximum current loop					
	<b>HART/4-20mA</b>	HART protocol over 4-20mA line (iMAG4700p & iMAG4700r only)					
	<b>High Speed Digital</b>	Isolated, open collector, 24 Vdc (iMAG4700p only)					
	<b>Serial Communications</b>	Isolated, asynchronous serial RS485, Modbus® RTU protocol					
<b>Cable</b>	<b>Power/Output Cable</b>	20ft (6m) standard length polyurethane jacketed cable—for power and outputs (lengths up to 200' available).					
	<b>Remote Display Cable</b>	20ft (6m) standard length polyurethane jacketed cable—for connection between meter and remote display (lengths up to 200' available). (iMAG 4700r)					
<b>Conductivity</b>	>20 microSiemens/cm						
<b>Empty Pipe Detection</b>	Hardware/software, conductivity-based						
<b>Regulatory</b>	CE (EN 61326), 2"-12" certified to NSF/ANSI standard 61 60°C (140°F)						
<b>Environmental</b>	NEMA 6P, IP68 (10ft (3m) depth, continuously)						

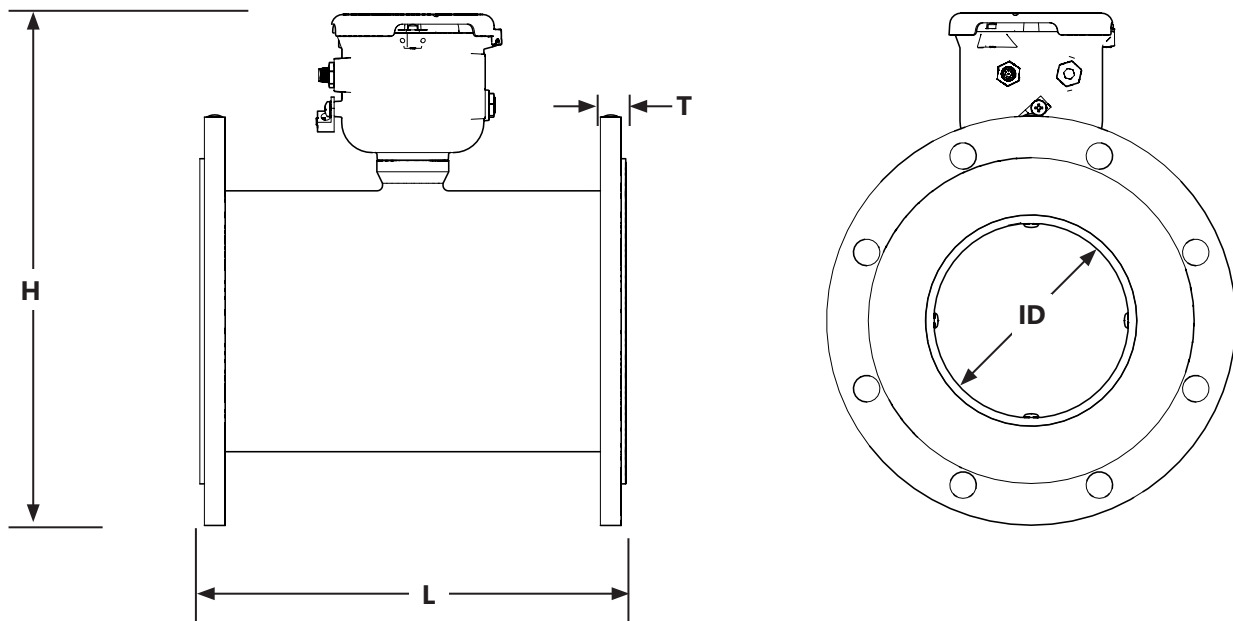
Modbus is a registered trademark of Schneider Electric.

\* Specifications subject to change. Please consult our website for the most current data ([www.seametrics.com](http://www.seametrics.com)).

<sup>1</sup> If forward and reverse flow data needs to be sent to another device, either the Digital or Modbus output is required.

<sup>2</sup> Rate Time Unit is available in Day only.

Dimensions

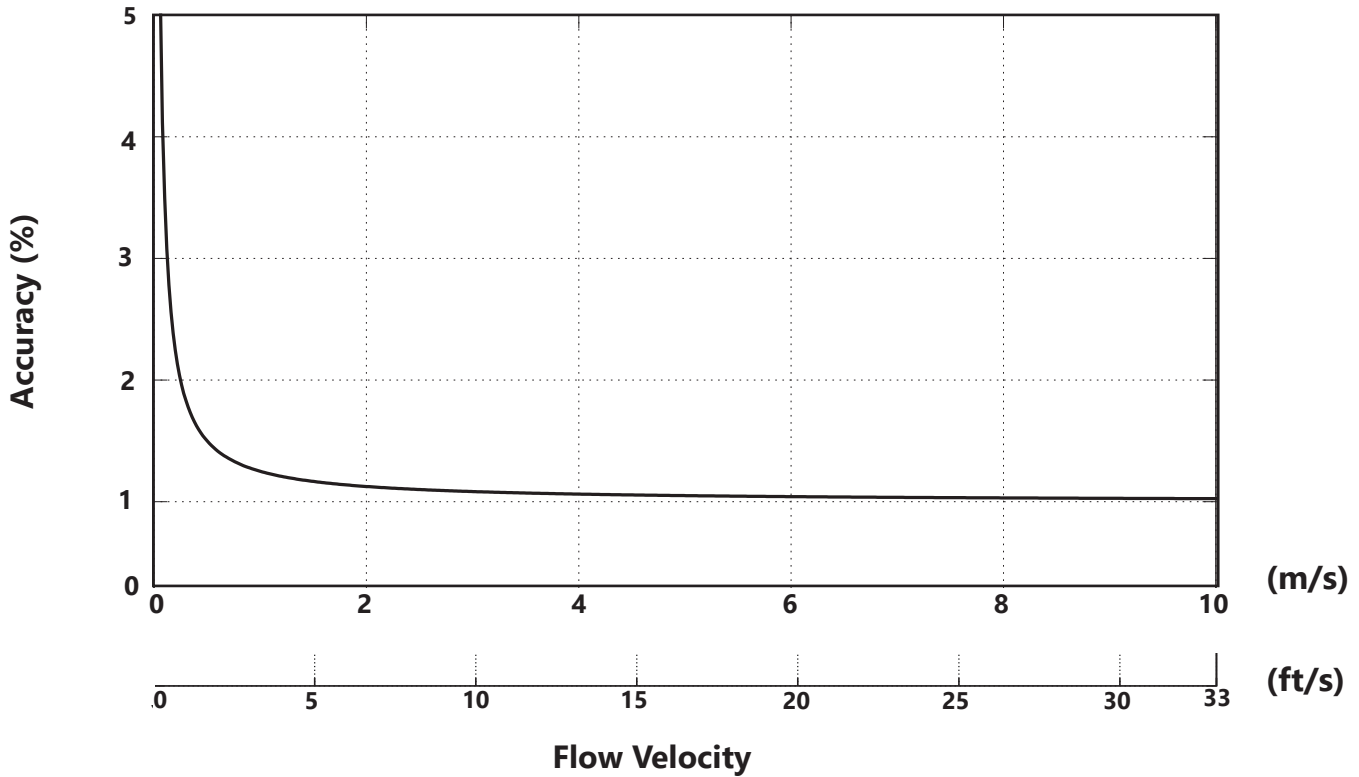


iMAG4700 Meter Size	L		H		T		ID		Shipping Weight	
	inch	mm	inch	mm	inch	mm	inch	mm	lbs	Kg
2"	7.9	200	7.6	193	.62	15.7	1.76*	45*	25	11.3
3"	12.25	311	7.08	179.8	.68	17.25	2.6	66.04	38	17
4"	10.12	257	8.3	211	.62	15.7	3.12	79	33	15
6"	12.09	307	9.1	231	.69	17.5	5.05	128	49	22
8"	14.14	359	10.1	257	.69	17.5	6.44	164	70	32
10"	18.08	459	11.2	284	.69	17.5	8.61	219	130	59
12"	19.68	500	12.2	310	.81	20.6	10.55	268	170	77
<b>Flanges</b>	Standard ANSI 150 lb. drilling								Cable 1 lb.	

Note: 'L' dimension is total from liner face to liner face

\*Average ID

iMAG Accuracy

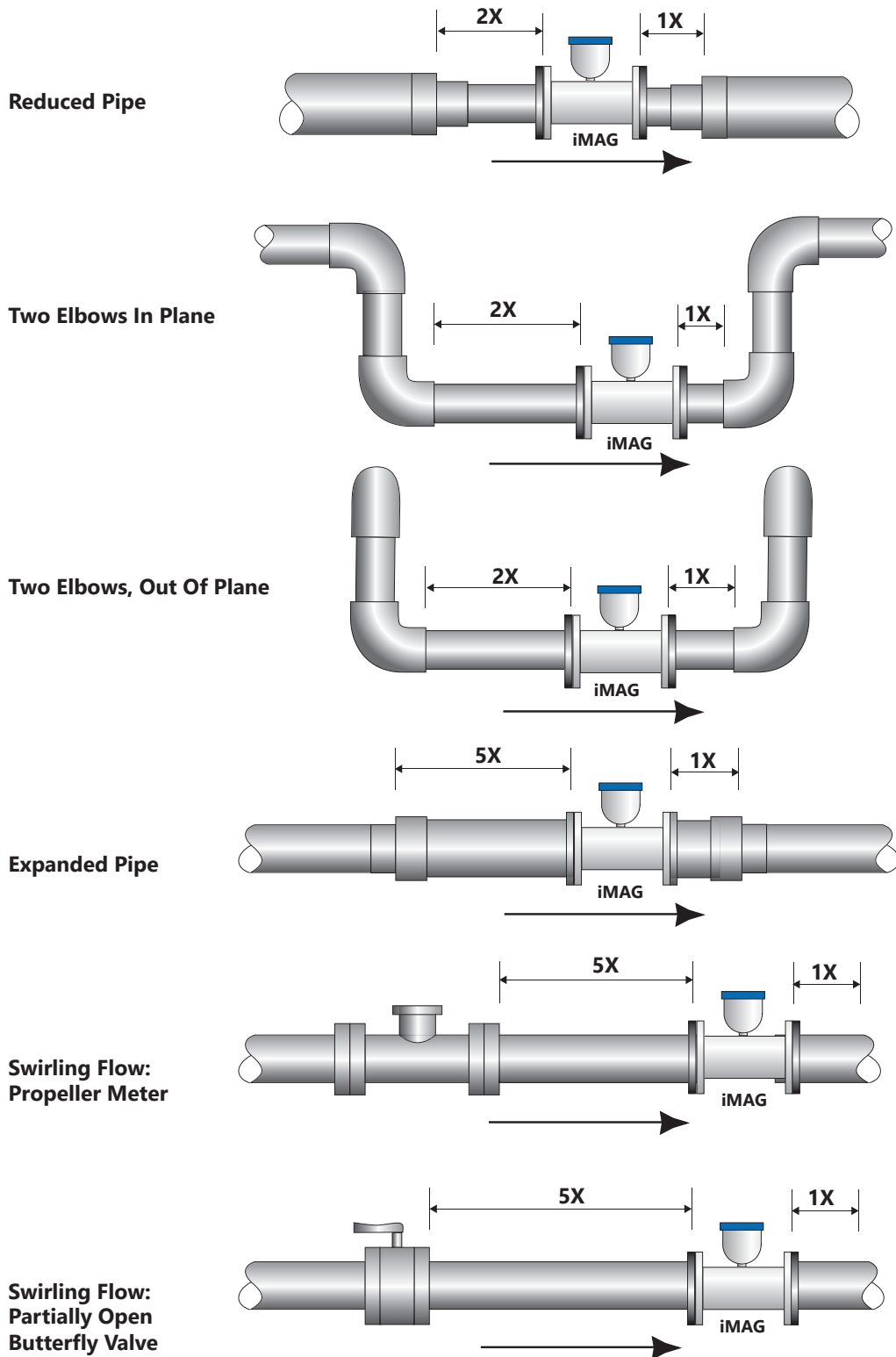


Flow Rate (2" - 12")

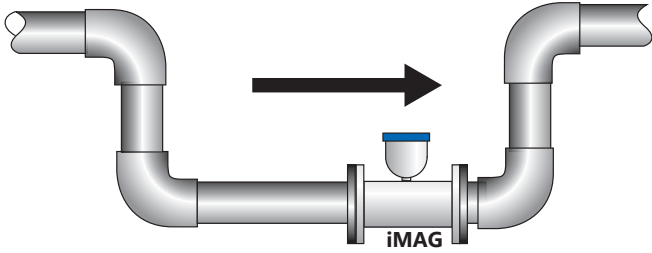
Pipe Size <i>(Inches in diameter)</i>	2"	3"	4"	6"	8"	10"	12"
<b>Max Flow Rate</b> <i>(Gallons/Minute)</i>	321	722	1285	2891	5140	8031	11565
<b>Cut-off (min) Flow Rate</b> <i>(Gallons/Minute)</i>	2	4.0	6.43	14.46	25.70	40.15	57.82
<b>Max Flow Rate</b> <i>(Liters/Second)</i>	20.25	46	81	182	324	507	730
<b>Cut-off (min) Flow Rate</b> <i>(Liters/Second)</i>	0.13	0.23	0.41	0.91	1.62	2.54	3.65
<b>Max Flow Velocity</b> <i>(Meters/Second)</i>	10	10	10	10	10	10	10

**Straight Pipe Recommendations** (X = diameter)

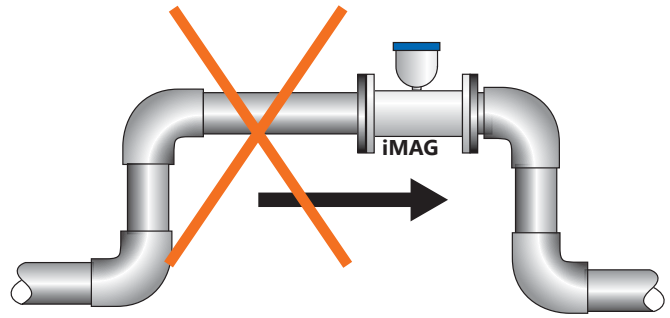
**NOTE:** These configurations are to be used as general guidelines and do not cover every possible installation. A combination of two or more obstructions will require additional straight pipe. If there is any concern about the length of pipe required for a specific application, please contact your local dealer.



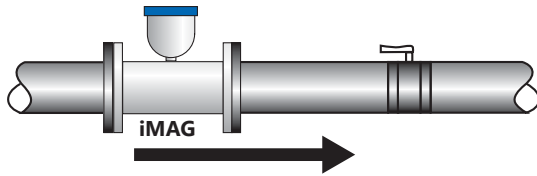
Full Pipe Recommendations



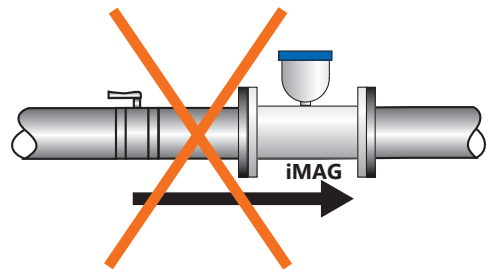
**Recommended:**  
Keep pipe full at meter for accuracy



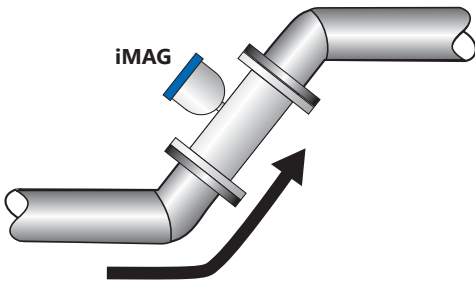
**Not Ideal:**  
Allows air pockets to form at meter



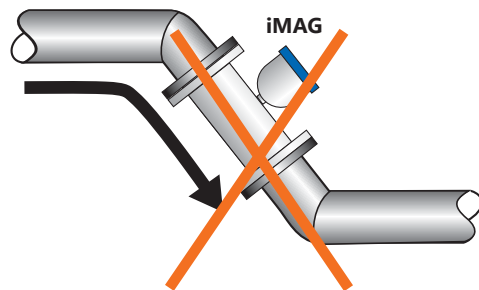
**Recommended:**  
Keeps pipe full at meter for accuracy



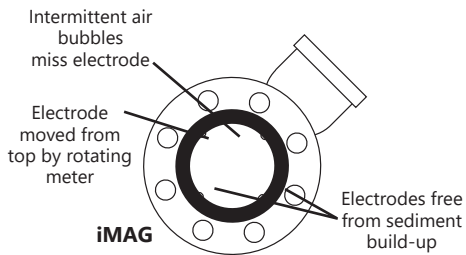
**Not Ideal:**  
Post-valve cavitation can create air pocket



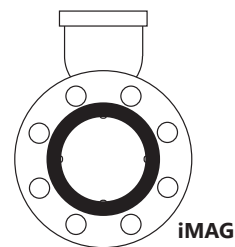
**Recommended:**  
Allows air to bleed off



**Not Ideal:**  
Air can be trapped



**Recommended:**  
Improved accuracy results from unimpeded electrodes



**Not Ideal:**  
Air bubbles and sediment on the electrodes can affect accuracy



**Positioning the Meter**



**CAUTION:** These flow sensors are not recommended where installation may expose the flow sensor to boiler pressure and temperature. Maximum recommended operating temperature is 130° F.

These meters can be installed horizontally, vertically (with upward flow), or in any radial position. **Using a check valve on the upstream side of the meter, and/or an air vent (vacuum relief valve) in the same, unobstructed run of pipe as the meter, is required in any installation where the meter may be exposed to suction when the system is not in normal operation. Suction can cause damage to the liner. Liner damage caused by suction, without the use of a check valve and/or air vent, may void the warranty.**

**Straight Pipe Recommendations.** The iMAG requires straight pipe before and after the meter for best accuracy. However, the ability of electromagnetic meters to average the flow across the entire pipe allows for shorter straight pipe recommendations than most mechanical meters (see page 7).

**Full Pipe Recommendations.** To prevent false readings, this meter is designed to indicate 'EMPTY PIPE' if one or more electrodes is exposed. For highest accuracy, install the meter so that the pipe will be full when there is flow. If air bubbles may be present in the pipe or sludge accumulation is an issue, rotate the meter by one flange hole to position the control housing at a 45° angle (see diagrams on page 8).

**Fittings.** The iMAG has ANSI 150 lb. drilled flanges and will mate with any other ANSI 150 lb. flanges. See table on page 10 for flange bolt tightening torque specifications.

**Calibration.** The iMAG is factory-calibrated before shipping. The frequency of recalibration will depend on the needs of each application and local regulatory policies.

**Chemical Injection.** When the iMAG is used in a chemical injection application, the chemical injection point must be placed downstream of the magmeter OR far enough upstream for complete mixing to occur before the fluid reaches the meter. When unmixed chemical alternates with water passing through the meter, the rapid changes in conductivity may cause sudden spikes and drops in the meter's reading, resulting in inaccurate measurement. The magmeter will re-stabilize, however, with a steady flow of fluid of uniform conductivity.



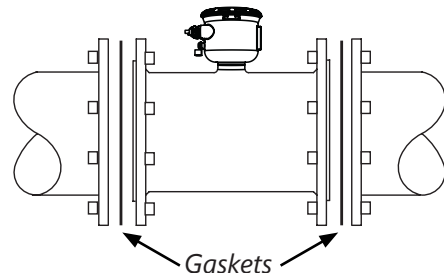
**CAUTION:** In chemical injection applications, install chemical injection point downstream of magmeter, or far enough upstream to allow complete mixing of fluids.

**Installing Gaskets**

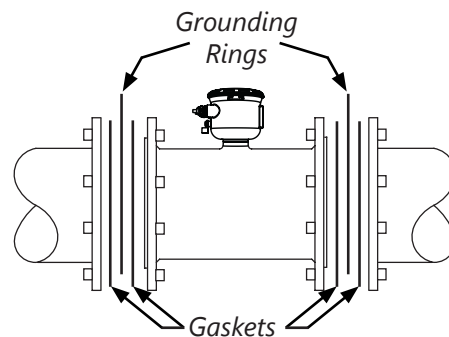


**GASKETS**  
Gaskets are required at all junctions.

1. Be sure all mating surfaces are smooth and free of debris.
2. Install Seametrics provided gaskets, or equivalent, on each end of meter as shown in diagrams below. If using grounding rings, install one gasket on each side of the grounding ring.
3. **Failure to install gaskets will void warranty.**



Installation without grounding rings

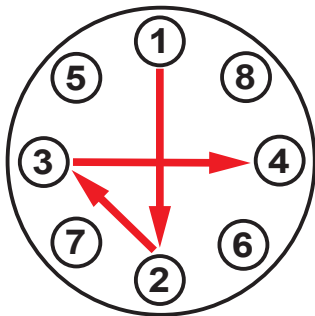


Installation with grounding rings

**Tightening Flange Bolts**

NOTE: Mating pipe flanges must be ANSI 150# full face (FF) and/or raised face (RF).

1. Tighten flange bolts in an alternating pattern.
  - Tighten left flange bolt-1 to 20% recommended torque.
  - Tighten right flange bolt-1 to 20% of recommended torque.
  - Repeat steps a and b for each bolt in an alternating order, such as shown at right, tightening to 40%, then 60%, then 80%, and then 100%.
2. Test for leaks.
3. If needed, tighten further in 10% increments until leaking stops. **DO NOT over-tighten. Over-tightening can cause serious damage to the flow meter.**
4. Recheck after 24 hours, adjusting if needed.



*Suggested Tightening Sequence*



**Caution:** Improper tightening sequence can cause serious damage to the flow meter.

- Do not tighten one side at a time.
- Do not tighten each bolt completely at one time.

**SUGGESTED FLANGE BOLT TORQUE**

Pipe Size	Liner	
	ft-lb	Nm
2"	18	25
3"	25	34
4"	20	27
6"	42	57
8"	65	88
10"	73	99
12"	97	132

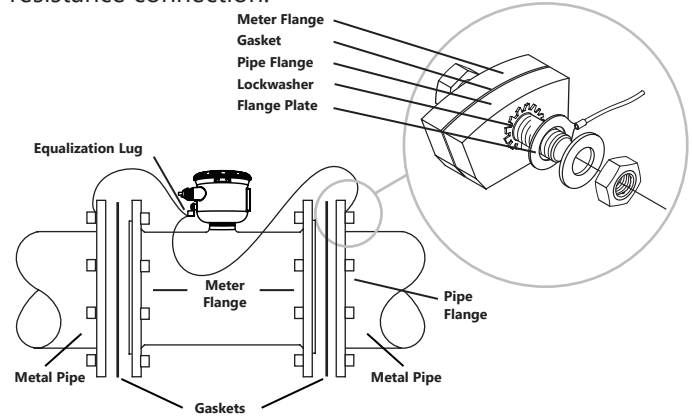
**Equalization and Grounding**



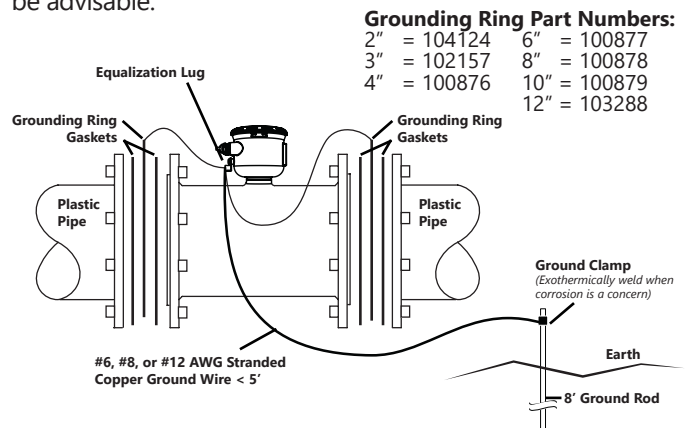
**WARNING: ELECTRICAL SHOCK HAZARD**

When the iMAG is installed in a plastic piping system, or when externally powered, the piping system must be grounded to meet national and local electrical safety codes. Failure to do so can result in electrocution.

**Metal Pipe Installations.** To equalize the electrical potential of the fluid, the iMAG meter, and the surrounding pipe, secure the flange plates (factory-installed on the equalization wire) to both pipe flanges at one of the bolt holes, as shown below. Be sure the lock washer fits between the pipe flange and the flange plate. For the best electrical bonding, remove rust and paint to expose clean, bare metal where the equalization flange plate lock washer contacts the pipe flange. Connection must be inspected periodically for corrosion to maintain the necessary low resistance connection.



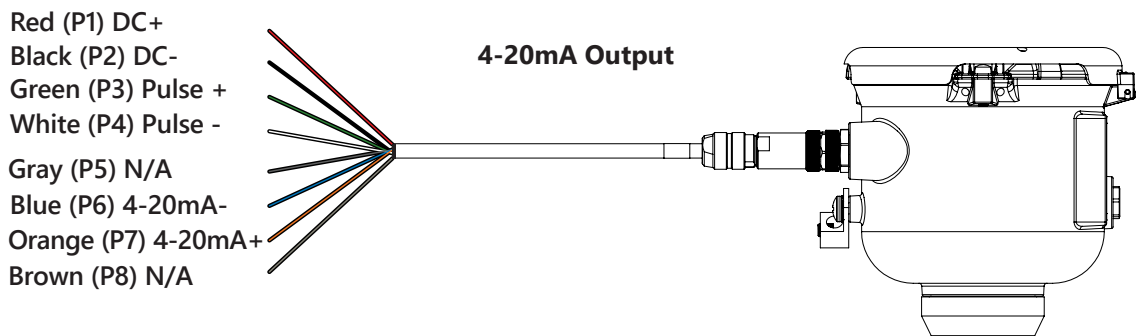
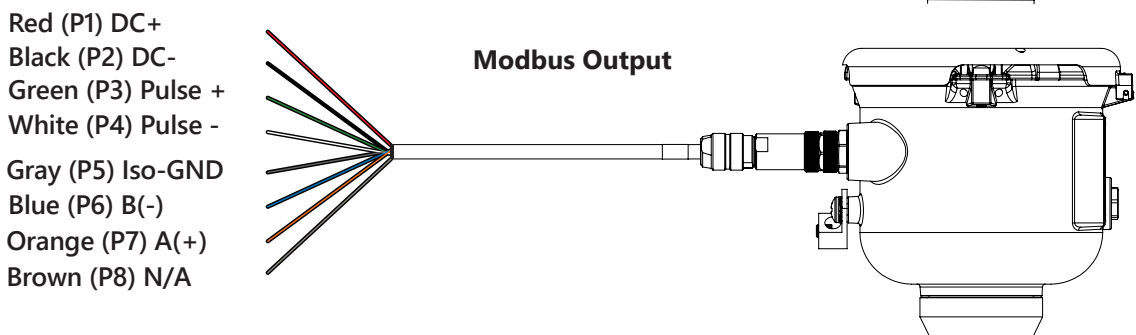
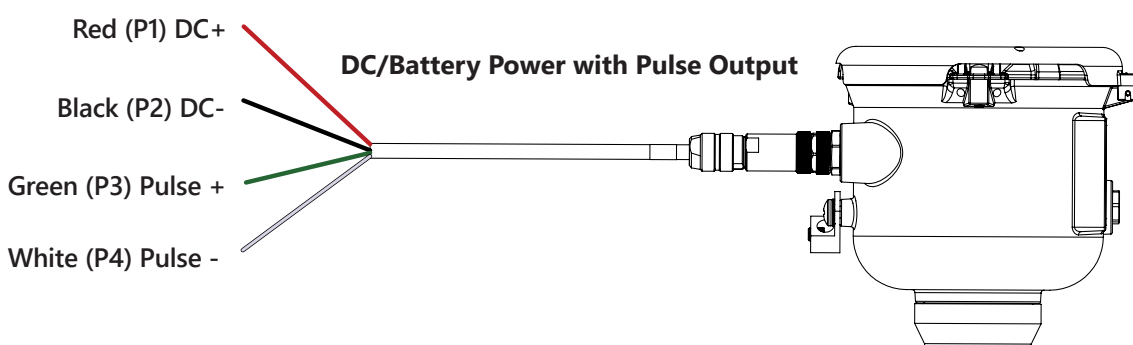
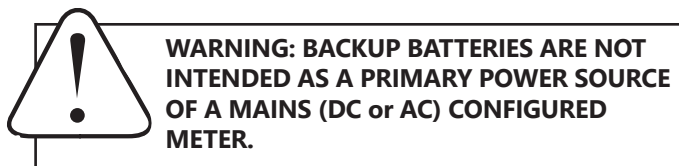
**Plastic Pipe and Electronically Noisy Installations.** When the iMAG 4700 is installed in plastic pipe or in an electrically noisy system (near a VFD etc.), grounding rings are recommended. As shown in the diagram below, the equalization wires should be solidly connected to the grounding ring tabs instead of the flange bolts as in metal piping installations. Where lightning is a threat, or in severe electrical environments, an optional connection to a nearby equipment ground or ground rod may be advisable.



**iMAG4700 General Cable Information**

In the iMAG 4700 meter has two power/output cables that can be installed. The 4-pin cable contains the wires for DC power and pulse output. The 8-pin cable contains the wires for DC power and pulse, 4-20 mA or Modbus® output options when ordered. See diagrams below for details.

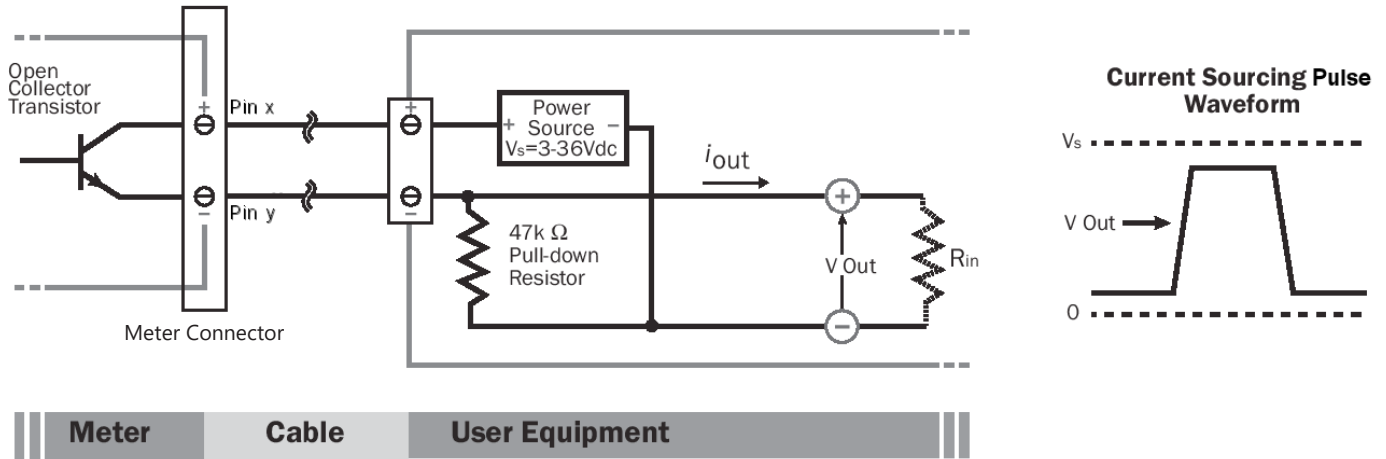
The iMAG 4700 is available in either Battery or external DC versions.



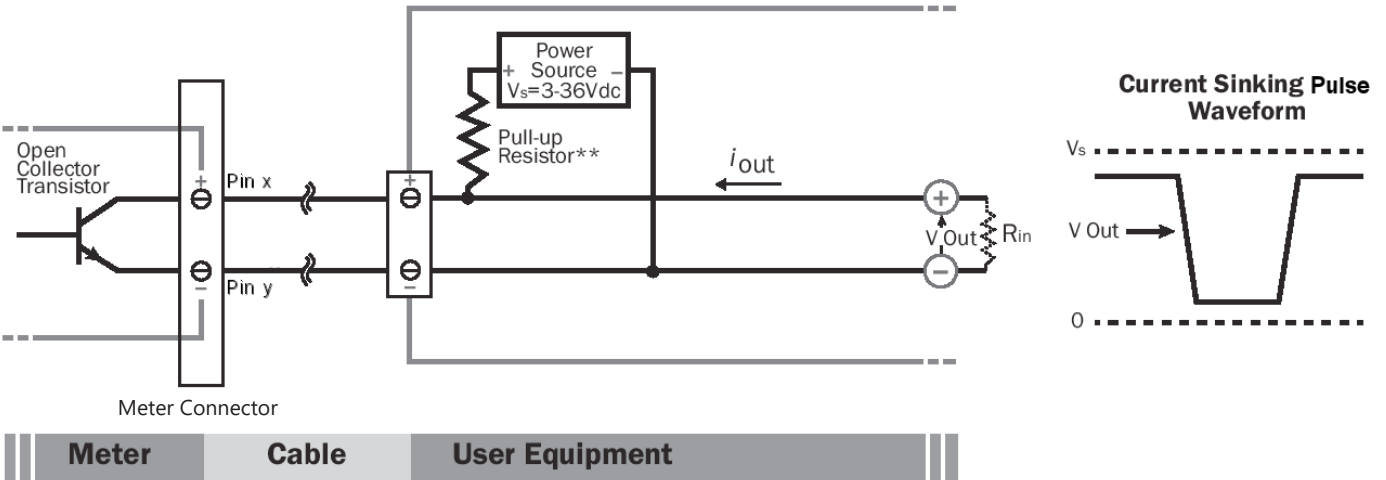
**Option IDs**

O ID	POWER SOURCE / OUTPUT(S)
<b>BXX</b>	= BATTERY POWER / PULSE SCALED
<b>BXS</b>	= BATTERY POWER / PULSE SCALED / MODBUS®
<b>D1X/D2X</b>	= DC POWER / PULSE SCALED
<b>D1L/D2L</b>	= DC POWER / PULSE SCALED AND 4-20mA
<b>D1S/D2S</b>	= DC POWER / PULSE SCALED AND MODBUS®

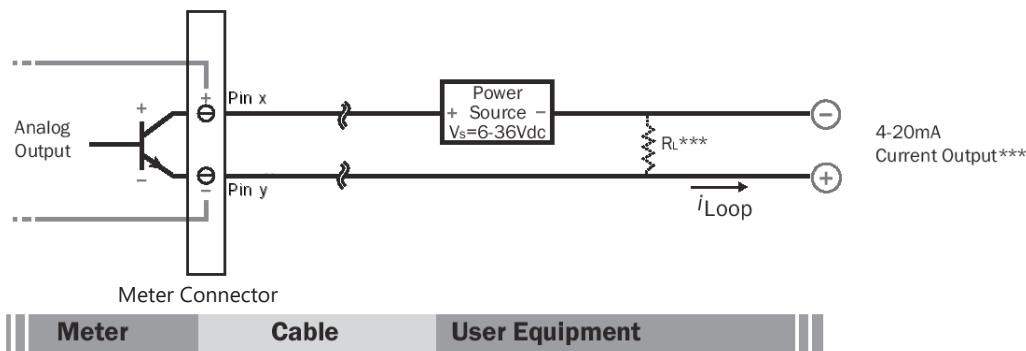
**Pulse or Digital Output Application - Sourcing Mode (Recommended for  $R_{in} < 30k\Omega$ )**



**Pulse or Digital Output Application - Sinking Mode (Recommended for  $R_{in} > 30k\Omega$ )**



**Analog (4-20mA Current Loop) Output Application**



\*\* Minimum resistor value is  $(100 \times V_s)$  ohms. Higher resistances maybe used depending on frequency and cable length. Longer cables and high frequencies require lower resistance.

\*\*\* Resistor  $R_L$  converts 4-20mA current to voltage for voltage input only devices.

**Cable Shield.** In general, the cable shield and its bare drain wire should be left unconnected at the user equipment end of the cable to minimize “ground loop” problems.

**Pulse Output Configuration.** A pulse output is standard on all models. Since this is an isolated output, the external equipment must include a DC power source to regenerate the pulse from the open-collector output (transistor equivalent of a contact closure). A pull-up or pull-down resistor may be needed if not included in the user equipment as shown in the diagrams. Both the power source and resistor may be supplied internally in some types of control and monitoring devices. If not, as for most PLC discrete input modules, they must be added externally at the module input terminals. The pulse output rate in volume units/pulse can be set by the user via the SETP tab on the meter’s setup menus.

Because the pulse output of an iMAG 4700 meter is set by the user, care must be taken to assure the output pulses do not exceed the maximum frequency of the meter while also ensuring a reasonable resolution.

K-factor: Remember that SETP is expressed in units totaled per output pulse (G/P if using gallons) while K-factors are expressed in pulses per gallon (P/G.) To determine K-factor from SETP, divide 1 by SETP (if SETP is expressed in gallons.) Conversely, 1 divided by the K-factor equals SETP

iMAG 4700 meters that were initially configured as battery powered units have a maximum output frequency of 150 Hz. Those that were initially configured as powered units have a maximum output frequency of 200 Hz.

Because all pulse outputs (SETP) are configured in (rate) units totaled per pulse, all sizes of meters can be configured with the same SETP values

For example, if your rate is chosen as gallons per minute (GPM) the table below applies. If your rate is different, simply use your rate label in place of (GPM.) The numerical values will remain the same.

**Pulse Units.** The units of measure of SETP are independently selectable and are not tied to rate or total. Upon change of the SETP unit, the pulse output may take up to 10 seconds, or the duration of one pulse (whichever is longer) to take effect.

**If Pulse Output is Inconsistent.** The PDAMP filter may need to be increased.

**Pulse Width Timing.** The unit and value of SETP must be chosen to keep the duration between meter pulse outputs to less than 500 seconds.

**Pulse Timing in Battery Powered Units.** The output pulse width in battery powered units is short and varies with pulse frequency. (See table)

SETP	Flow Rate at 1 Hz (GPM)	Flow Rate at 200 Hz (GPM) Powered Meters	Flow Rate at 150 Hz (GPM) Battery Powered Meters
0.1	6	1200	900
0.2	12	2400	1800
0.3	18	3600	2700
0.4	24	4800	3600
0.5	30	6000	4500
0.6	36	7200	5400
0.7	42	8400	6300
0.8	48	9600	7200
0.9	54	10800	8100
1.0	60	12000	9000

*Lower frequency output pulses (1 pulse for some particular number of gallons) can also be set.*

Any output frequency can be determined by:

$$\text{Rate (units/minute)} \div \text{SETP (units/pulse)} = \text{pulse/minute}$$

$$\text{Hz} = \text{pulse/minute} \div 60 \text{ seconds / minutes}$$

**For reference/comparison only**

K-factors and the equivalent SETP values for old style WMX units are shown below.

WMX	4"	6"	8"	10"	12"
K-Factor	16.36	6.31	3.34	2.15	1.53
SETP	0.06*	0.16	0.30	0.47	0.65

*\*Note that on the iMAG 4700 you would need to choose a SETP value of 0.1 for the 4".*

Output Pulse Width of Battery Powered Units		
Output Pulse Frequency	Output Pulse Width as a Percentage of the Pulse Period (Pulse period = 1000 milliseconds/frequency)	
Zero to 1 Hz	Multiply the pulse period by 0.01	= Output Pulse Width (ms)
1 to 20 Hz	Multiply the pulse period by 0.05	= Output Pulse Width (ms)
20 to 100 Hz	Multiply the pulse period by 0.1	= Output Pulse Width (ms)
100 to 150 Hz	Multiply the pulse period by 0.15	= Output Pulse Width (ms)

*Example: If frequency = 20 Hz then the pulse period = 50 milliseconds and pulse width = (.05 x 50 milliseconds) = 2.5 ms*

**Analog Output (4-20mA) Configuration.**

*(Not available on battery only units.)*

Since the meter's analog output is isolated and passive, loop power must be supplied externally as shown previously. (In addition, an external resistor  $R_L$  will be needed to convert the loop current to voltage for voltage-only input devices.)

The meter's loop transmitter minimum voltage drop is 6Vdc which, with wiring resistance and loop power supply voltage, will determine the maximum resistance for  $R_L$ .

The flow rates corresponding to 4 and 20mA can be set by the user via the SET 4 and SET20 tabs on the meter's setup menus.

**Note: As configured by the factory, any alarm state will force 22.8mA on the loop.**

**This can be changed to 3.2mA - see Technical Bulletin, 'iMAG4700/AG3000: Changing the 4-20mA Alarm'**

**Modbus® Serial Communication Configuration (factory configured).**

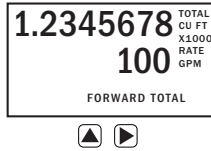
These connections provide a half-duplex, isolated, RS485 serial communications port using the Modbus messaging protocol. The TXD connection is the transmitted data output from the meter and RXD is the received data input to the meter. See Seametric's Modbus Interface Description, LT-103393 (available at [www.seametrics.com](http://www.seametrics.com)) for supported Modbus message protocol and electrical interface specifications.

A 120-ohm termination resistor is built into the Modbus option board but is shipped in the unused position. To engage the termination resistor, move the jumper on JP1 from position 3-4 to position 1-2.

### Changing Flow Meter Settings

#### Home Screen and General Navigation

The HOME Screen displays flow volume, direction of the flow total and flow RATE along with status conditions such as Empty Pipe. Two buttons below the LCD display are used to access menu screens for viewing and changing meter setup parameters.



**These two buttons are light sensors which can detect when a finger is covering them and activate upon release.** Only three button touch actions are needed to control navigation through the menus, settings changes and back to the home screen.

#### HORIZONTAL SCROLLING:

Tap right button to scroll horizontally through menu tabs or move horizontally within a tab dialog when applicable.



#### SELECT:

Tap left button to change a highlighted item within a tab dialog.



#### ENTER/EXIT:

Hold left button while tapping right button once to enter or exit a tab dialog or to navigate between the HOME and other menu screens (continue to hold the left button until after the right button is released.).



#### Changing Total Direction/Resetting Batch Totalizers

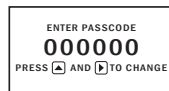
On the Main screen, hold and tap 7 times to scroll through the total direction options. Release to select a total direction.



Once BATCH FORWARD or BATCH REVERSE is selected, tap four times to reset batch totalizer.

#### Entering Menu System

To enter the Menu System perform the hold and tap sequence. The Passcode entry screen will display. The default passcode is 000000. If a different passcode has previously been set, use the and to enter that passcode. In either case, hold and tap again to move into the menu system. (If you enter the wrong passcode, hold and tap again to return to the previous screen. See page 21 for information on how to change a passcode.)



#### Making Selections

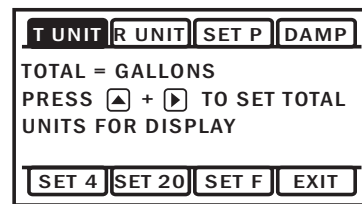
Once in the Menu System, move from tab to tab by tapping the right button. (See the next page for details on the various available tabs.)



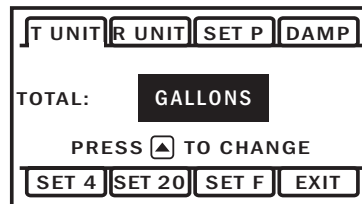
**Select the parameter.** In the screen for the highlighted tab you will see the current parameter value for that tab. Tapping the right button, move to the tab for the parameter you want to change.



In this example, the first line indicates that the current unit for the TOTAL is GALLONS. The next two lines tell you what to do next.



If you would like to change the TOTAL units, just perform the hold and tap sequence to bring up a screen to change the setting.



**Select a new setting.** Select the new setting by scrolling through a list of selections as in the screen illustration below by tapping the left button to find a different TOTAL unit.



**Accept changes.** To accept any changes you have made, perform the hold and tap sequence.



**When finished making changes.** When you are finished making changes, move to the EXIT tab using the right button.



To return to the HOME screen, perform the hold and tap sequence.

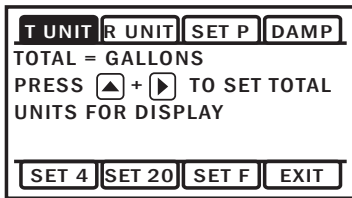


**Standard Menu Options**

Note: Available options will depend on specific meter configuration. Not all options are available on all meters. **Options not ordered with your meter will not appear on the meter menu.**

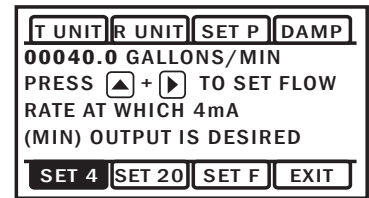
**T UNIT**

View or change TOTAL volume units



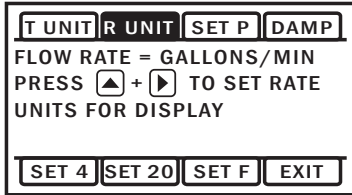
**SET 4**

View or change flow rate corresponding to 4mA. *(Externally powered units only)*



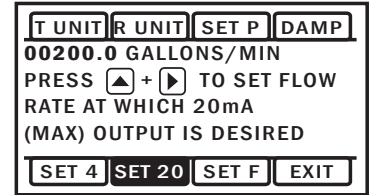
**R UNIT**

View or change flow RATE units



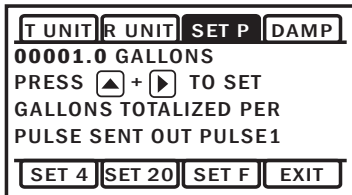
**SET 20**

View or change flow rate corresponding to 20mA. *(Externally powered units only)*



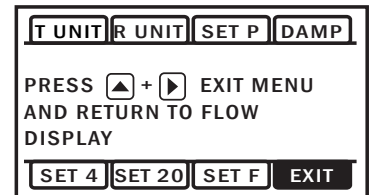
**SET P**

View or change pulse output scaling



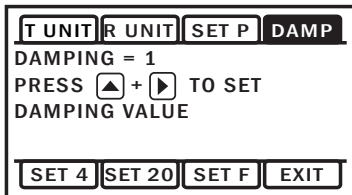
**EXIT**

Return to HOME SCREEN or enter SUBMENU



**DAMP**

View or change # of samples for rolling average.

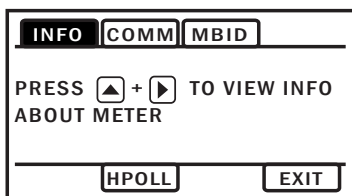


**Special SUBMENU for Further Options**

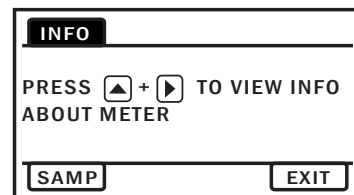
The EXIT tab in the MAIN MENU has a second function. If, instead of using the hold and tap sequence to return to the HOME screen, you tap [Up] seven times, you will be redirected to a SUBMENU screen from which you can access several more options.

- INFO: Meter model number, serial number, and firmware version.
- COMM: Modbus® baud rate and parity.
- MBID: Modbus® address
- SAMP: Sample rate *(Battery powered version only.)*
- EXIT: Return to MAIN MENU or enter next submenu.

Navigation in this SUBMENU is the same as for the MAIN MENU. Whenever you wish, go to the EXIT tab in the SUBMENU and perform the hold and tap sequence to return to the MAIN MENU.



Sub-Menu



Sub-Menu - Battery Only Version



**To Change a Passcode and Decimal Places**

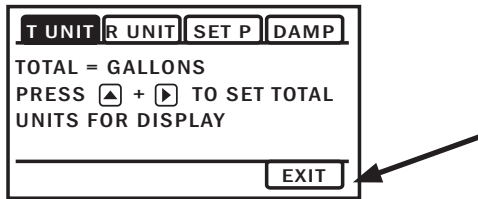
The AG3000 has a passcode system for restricting access to the menus. The AG3000 comes from the factory with the passcode set to 000000. When a user attempts to enter the menu system (see details on page 16), the passcode entry screen will be displayed.



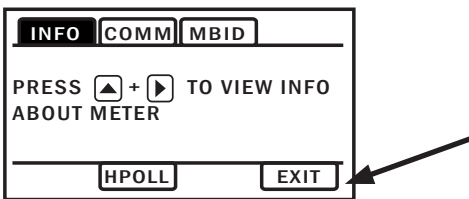
The default passcode is 000000. If a different passcode has previously been set, then the user must enter that passcode at this time. After entering the passcode, or leaving it at 000000 if using the default passcode, the user does the tap and hold sequence to move into the menu system.

**To change the passcode**, you must use the THIRD MENU screen. Access the THIRD MENU screen as follows:

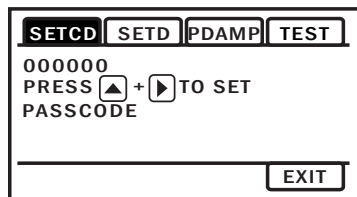
- Enter the main menu system, as described above.



- On the main menu, tab over to the EXIT tab and tap the up arrow five times. A SUBMENU screen will display.



- On the SUBMENU screen tab over to the EXIT tab and tap [up arrow] five times. The THIRD MENU screen will display.



- To set the PASSCODE, hold and tap and then use the [up arrow] and [right arrow] to enter the new code.
- Hold and tap again to return to the THIRD MENU screen.
- Tab to EXIT, and then hold and tap to return to the SUBMENU.

**To change the number of decimal places in the total**

- To set the decimal point, hold and tap on SETD and then use the [right arrow] to move the decimal point.
- Hold and tap again to return to the THIRD MENU screen.
- Tab to EXIT, and then hold and tap to return to the SUBMENU.

**PDAMP**

PDAMP is used to view or change the number of samples for rolling average of pulse output.

**TEST**

TEST allows the user to initiate a fully functional, artificial flow rate for the purpose of testing other connected equipment. When TEST is applied, all features of the meter will function at the stated flow rate (in gallons per second).

For TEST to function, the meter must be filled (not EMPTY PIPE).

To enter a value into the TEST feature, navigate to the TEST tab and enter a flow rate value in the VAL screen (in gallons per second only,) then [right arrow] to the VAL box and [up arrow] to the ON screen. This will initiate the TEST feature. The next [up arrow] would bring you to the OFF screen, but you can 'hold and tap' the arrows to return you to the sub menu while the feature operates.

**After use, the TEST feature must be turned OFF.** If the TEST feature is not turned OFF, the stated static flow rate (in gallons per second) will be shown any time the meter is full or in a flowing condition. Flow values recorded by the meter while the TEST feature is operating are permanently recorded in the displayed TOTAL. It may be useful to note that these values are only written to permanent memory every 15 minutes and cycling all power within this 15 minute time frame will return the meter to its previous total.

**Power Indicators**

A power indicator is displayed in the lower left of the main display window.

Any meter powered from an external power source will display a power plug icon when running on external power. If the connection to external power is lost, the meter will switch to the backup battery and the power icon will switch to a battery symbol.

**OK** on the battery indicator means battery voltage is above 6.4 volts.

**LO** on the battery indicator means the battery is low and should be replaced soon.



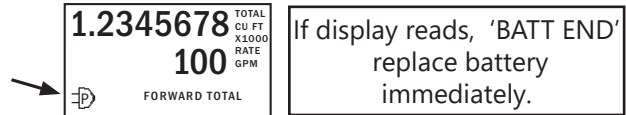
Being powered by external DC or AC



Being powered by battery - voltage is sufficient



Being powered by battery - voltage is low



**Battery Powered Units**

To 'wake up' a battery powered meter, you may need to hold the up arrow for 5 seconds and release. If the meter does not wake up on the first attempt, repeat the 5 second hold.

The iMAG 4700 meter can come configured with one 7.2V 'D' size replaceable battery pack. In this configuration, the only option/output is the scaled pulse output which comes standard. The scaled output for the battery powered option has a maximum pulse rate of 150 pulses/second. Be sure to set your P value such that the meter will function properly over the flow range in your application. The sample rate of the meter is user selectable through the SAMP tab in the meter's sub-menu. Sample periods of 1/5, 1/3, 1, 3, 5, 15, 30, and 60 seconds can be selected. (A sample period of 5 seconds—5 year battery life—is the default.)

Larger sample periods will yield longer battery life but slower response time. Care must be taken to select a sample period that is suitable for your application. See the table below for the expected battery life as a function of sample period.

**DAMP Settings for Battery Units**

If SAMP (sample period) is set to less than one second, the DAMP value represents the number of seconds (plus one) used in the rolling average for the display. For example, if DAMP is set to four, then when the meter begins to show a flow rate, the rate displayed is the average of all the readings taken in seconds one through five (4 plus 1).

If SAMP (sample period) is set to one second or longer, the DAMP value represents the number of sample periods (plus one) used in the rolling average for the display. For example, if SAMP is set at three seconds and DAMP is set to four, then when the meter begins to show a flow rate, the rate displayed is the average of samples one through five (4 plus 1). Note that depending on the settings selected, it

may take up to a minute for the displayed rate to take full advantage of the DAMP filter. When when starting with an EMPTY PIPE it may take at least 30 seconds to register any flow.

**Battery Life/Sample Period**

(For externally powered meters only.)

Sensor sample period(s) (Seconds)	Expected battery life*
1/5 (0.2)	7 months
1/3 (0.33)	1 year
1	2.25 years
3	4 years
5	5 years
15	6 years
30	6.25 years
60	6.5 years

\*Based on 75% battery capacity at room temperature with no option cards installed.

NOTE: If a large percentage of the meter's life will be spent below 0.5 meters/second and above cutoff, battery life will be reduced.



**BATTERY LIFE WITH MODBUS OPTION!**  
**BATTERY LIFE WHEN USED WITH A MODBUS CONFIGURED METER WILL BE REDUCED TO 1 YEAR, OR GREATER, BASED ON USAGE. REDUCE POLLING FREQUENCY AND MINIMIZE DATA COLLECTED IN ORDER TO MAXIMIZE BATTERY LIFE.**  
**(AVAILABLE APRIL 2021)**

### Troubleshooting

Problem	Probable Causes	Things to try...
Blank Display	Faulty wiring from power source to meter  Backup battery has not been plugged in Dead backup battery	Check for incorrect wiring. Measure voltage with DMM where red and black wires connect to terminal block TB1 on back side of display. Verify correct polarity and confirm that voltage is steady and between 9Vdc and 32Vdc  Plug in the battery Replace battery
Flow rate reading fluctuates excessively when flow is unchanging	Excessively turbulent or unsteady flow due to partially closed valves or other flow obstructions  Pipe not full  Pulsing flow due to combining multiple upstream flow sources  Insufficient mixing of upstream chemicals  Low fluid conductivity < 20 $\mu$ S/cm  Noisy electrical environment  Defective or noisy AC switching power supply	Eliminate or minimize causes of flow disturbances or increase meter damping  Provide back pressure or other means to ensure pipe is filled  Move connection point further upstream  Move chemical injection downstream from meter  Replace with different type of meter  Improve grounding at meter and nearby potentially noisy electrical equipment. Increase distance between meter and electrical noise sources.  Replace power supply
Flow Rate appears correct but pulse/ frequency output is low, erratic or absent	Wiring incorrect  External device input impedance too low  Cable too long	Compare wiring with appropriate wiring recommendations  Use sourcing rather than sinking interface connection  Reduce interface pull-up resistance
Flow Rate appears correct but pulse/frequency output is erratic and/or too high	Electrical noise sources interfering with pulse frequency signal  Wrong type of cable  Grounding problem	Isolate, remove or reduce noise sources. Move meter control cable away from noise sources. Increase pulse damp setting (PDAMP)  Use only twisted pair cable and ensure both signal wires are on same twisted pair  Improve or try different grounding method

### Error Messages

Under certain conditions an error message may be displayed.

Message	Description	Notes
INIT	Initialization is occurring during power up.	
EMPTY PIPE	Fluid is not detected between the sensing electrodes.	Loop output = 22.8mA
LO in battery icon	Battery is getting low, replace soon. Meter still functions.	Above 6.4V, OK appears in icon
BATT END	Battery is very low (approx. 6.1V). Totalizer stops updating.	Loop output = 4mA
LOW VOLT	Incoming external power is very low and backup battery is dead or not connected	Loop output = 4mA
COIL FAIL	Coil current too high or too low (short or open).	Loop output = 22.8mA
COMM FAIL	Communication between transmitter and sensor board fails.	Loop output = 22.8mA
OVER RANGE	Rate exceeds number of digits that can be displayed. Adjust units.	Loop output = 4mA

The limited warranty set forth below is given by Seametrics, with respect to Seametrics brand products purchased in the United States of America.

Seametrics warrants that products manufactured by Seametrics, when delivered to you in new condition in their original containers and properly installed, shall be free from defects in material and workmanship. **Seametrics products are warranted against defects for a minimum period of two (2) years from date of installation, unless otherwise specified, with proof of install date. If no proof of install date can be provided, warranty period will be two (2) years from date of shipment from Seametrics, as defined on Seametrics' invoice.** Seametrics' obligation under this warranty shall be limited to replacing or repairing the part or parts, or, at Seametrics' option, the products, which prove defective in material or workmanship. The following are the terms of Seametrics' limited warranty:

- a. Buyer must give Seametrics prompt notice of any defect or failure and satisfactory proof thereof.
- b. Any defective part or parts must be returned to Seametrics' factory or to an authorized service center for inspection.
- c. Buyer will prepay all freight charges to return any products to Seametrics' factory, or another repair facility, as designated by Seametrics.
- d. Defective products, or parts thereof, which are returned to Seametrics and proved to be defective upon inspection, will be repaired to factory specifications.
- e. Seametrics will deliver repaired products or replacements for defective products to the buyer (ground freight prepaid) to the destination provided in the original order.
- f. Products returned to Seametrics for which Seametrics provides replacement under this warranty shall become the property of Seametrics.
- g. This limited warranty covers all defects encountered in normal use of Seametrics products, and does not apply to the following cases:
  - i. Loss of or damage to Seametrics product due to abuse, mishandling, or improper packaging by buyer
  - ii. Failure to follow operating, maintenance, or environmental instructions prescribed in Seametrics' instruction manual
  - iii. Products not used for their intended purpose
  - iv. Alterations to the product, purposeful or accidental
  - v. Electrical current fluctuations
  - vi. Corrosion due to aggressive materials not approved for your specific product
  - vii. Mishandling, or misapplication of Seametrics products
  - viii. Products or parts that are typically consumed during normal operation
  - ix. Use of parts or supplies (other than those sold by Seametrics) which cause damage to the products, or cause abnormally frequent service calls or service problems
- h. A new warranty period will be established for repaired products, or products replaced during the original warranty period.
- i. In the event that equipment is altered or repaired by the buyer without prior written approval by Seametrics, all warranties are void. Damage caused by equipment or accessories not manufactured by Seametrics may void the product's warranty.
- j. SOFTWARE: The Seller grants the user a non-exclusive license to use Seametrics' software, according to the following limitations and conditions:
  - i. The user may install the software on one or more desktop or laptop computers.
  - ii. All title and intellectual rights to the software are owned by Seametrics.
  - iii. No copies may be made or distributed except as described above.
  - iv. The user may not modify or reverse-engineer the software.

THE FOREGOING WARRANTY IS IN LIEU OF ALL OTHER WARRANTIES, WHETHER ORAL, WRITTEN, EXPRESSED, IMPLIED OR STATUTORY. NO IMPLIED WARRANTY, INCLUDING ANY IMPLIED WARRANTY OF MERCHANTABILITY OR FITNESS FOR A PARTICULAR PURPOSE, APPLIED TO THE PRODUCTS AFTER THE APPLICABLE PERIOD OF THE EXPRESS LIMITED WARRANTY STATED ABOVE, AND NO OTHER EXPRESS WARRANTY OR GUARANTY, EXCEPT AS MENTIONED ABOVE, GIVEN BY ANY PERSON OR ENTITY WITH RESPECT TO THE PRODUCTS, SHALL BIND SEAMETRICS. SEAMETRICS SHALL NOT BE LIABLE FOR LOSS OF REVENUES, OR PROFITS, OR INCONVENIENCES, EXPENSE FOR SUBSTITUTE EQUIPMENT OR SERVICE, STORAGE CHARGES, LOSS OF DATA, OR ANY OTHER SPECIAL, INCIDENTAL, OR CONSEQUENTIAL DAMAGE CAUSED BY THE USE OR MISUSE OF, OR INABILITY TO USE THE PRODUCTS, REGARDLESS OF THE LEGAL THEORY ON WHICH THE CLAIM IS BASED, AND EVEN IF SEAMETRICS HAS BEEN ADVISED OF THE POSSIBILITY OF SUCH DAMAGES. IN NO EVENT SHALL RECOVERY OF ANY KIND AGAINST SEAMETRICS BE GREATER IN AMOUNT THAN THE PURCHASE PRICE OF THE PRODUCT SOLD BY SEAMETRICS AND CAUSING THE ALLEGED DAMAGE. WITHOUT LIMITING THE FOREGOING, YOU ASSUME ALL RISK OF LIABILITY FOR LOSS, DAMAGE, OR INJURY TO YOU AND YOUR PROPERTY AND TO OTHERS AND THEIR PROPERTY ARISING OUT OF USE OR MISUSE OF, OR INABILITY TO USE THE PRODUCTS NOT CAUSED DIRECTLY BY THE NEGLIGENCE OF SEAMETRICS.

SOME STATES DO NOT ALLOW LIMITATIONS ON THE DURATION OF AN IMPLIED WARRANTY, SO THE ABOVE LIMITATIONS MAY NOT APPLY TO YOU. SIMILARLY, SOME STATES DO NOT ALLOW THE EXCLUSION OR LIMITATIONS OF CONSEQUENTIAL DAMAGE, SO THE ABOVE LIMITATION OR EXCLUSION MAY NOT APPLY TO YOU. THIS LIMITED WARRANTY GIVES YOU SPECIFIC LEGAL RIGHTS; HOWEVER, YOU MAY ALSO HAVE OTHER RIGHTS WHICH MAY VARY FROM STATE TO STATE.

