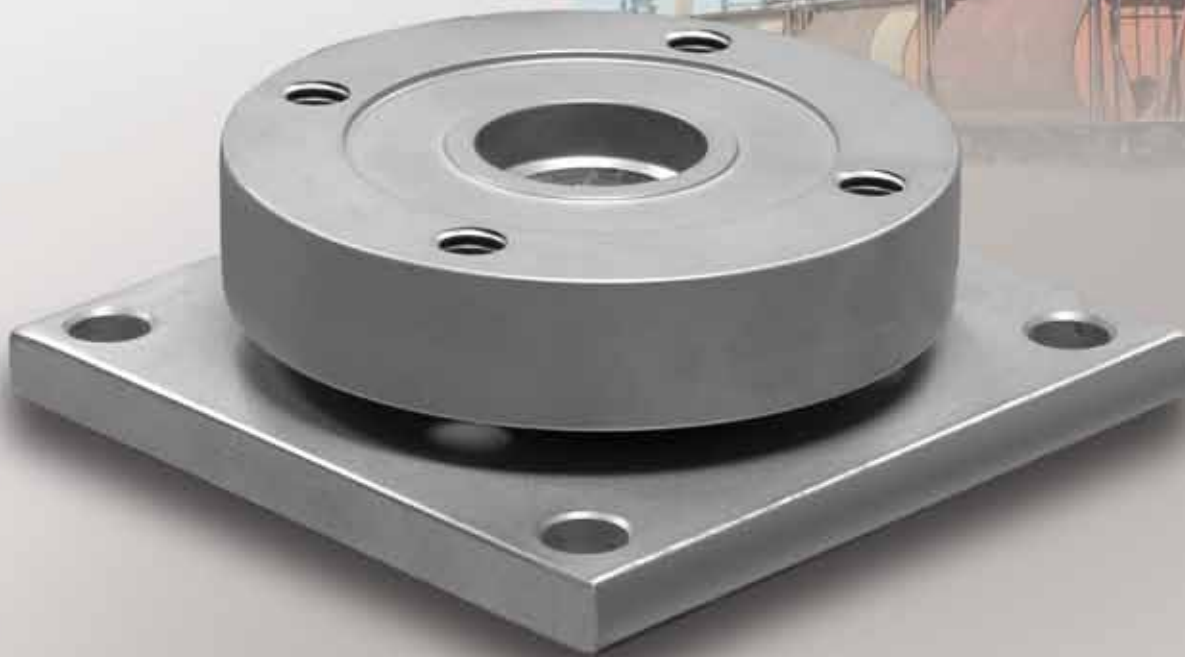


RL9000 TWM Series

Light to heavy capacity
mount assembly



RICE LAKE[®]
WEIGHING SYSTEMS

To be the best by every measure[®]

800-472-6703

www.ricelake.com
m.ricelake.com

RL9000 TWM Series

Light to heavy capacity
mount assembly

RL9000 TWM

Rice Lake's RL9000 TWM is a one-piece module ideal for hostile-environment vessel weighing—offering a space-saving low profile and weatherproof stainless steel construction.

Its low profile configuration maximizes space while all-in-one construction minimizes installation time. Furthermore, the RL9000 TWM will accurately weigh even if the base is off level by as much as 3 degrees.

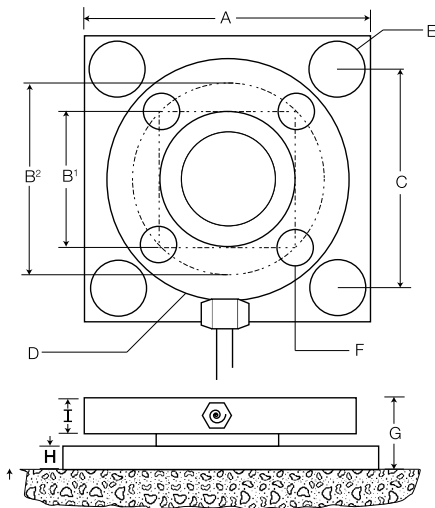
A broad range of weighing capacities from 1,000 lb to 450,000 lb enables its use in many weighing applications. What's more, the 100% uplift protection and self-checking design provide extreme durability.

Each RL9000 TWM unit installs quickly without the need for stabilizing hardware or bumper bolts, and offers the benefit of 300% ultimate overload protection. Whether tank, hopper or vessel weighing, its welded-seal design promises year after year of reliable, trouble-free operation. The RL9000 TWM comes standard in a wide range of capacities, and is also available in a high-temperature tolerant model (RL9000 TWM-HT).

RL9000 TWM-HT

For high-temp use, Rice Lake's RL9000 TWM-HT adds an enhanced FEP cable along with special strain gauges and other components that protect in temperatures as high as 400°F.

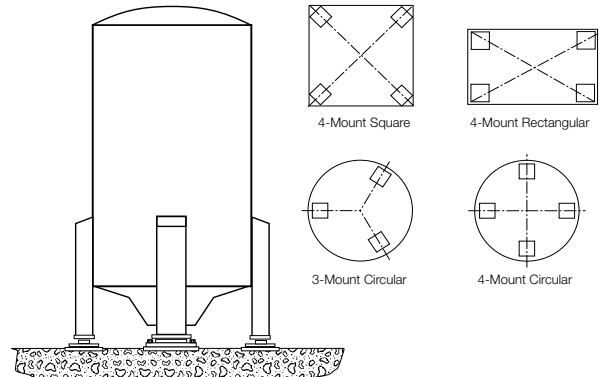
Capacities/Dimensions



Standard Features

- Capacities per assembly: 1000 lb – 450,000 lb
- Self-checking in all directions eliminates external hardware
- 100% uplift protection
- All-in-one construction minimizes installation time
- Welded seal load cell
- Weighs accurately with up to a 3% unparallel loading
- 300% ultimate overload protection
- Stainless steel for hostile environment applications
- Low-profile design

Vertical & Horizontal Vessel Arrangements



	1-15 k	20-50 k	60-100 k	150-250 k	250-450 k
	inches/mm	inches/mm	inches/mm	inches/mm	inches/mm
A	4.0/102	7.0/178	8.0/203	10.0/254	12.0/305
B1	2.0/51 sq	3.75/95 sq	4.25/108 sq	NA	NA
B2	NA	NA	NA	7.88/200 BC	8.38/213 BC
C	3.25/83	5.5/140	6.5/165	8.0/203	10.0/254
D	3.5/89	6.0/152	7.0/178	9.0/229	10.0/254
E	0.4/10	0.63/16	0.81/21	1.1/27	1.3/33
F	3/8-16	1/2-13	3/4-16	1-14	7/8-14
G	1 k - 10 k 1.35/34 15 k 1.60/41	2.48/63	2.50/64	4.75/121	6.42/163
H	1 k - 10 k 0.38/10 15 k 0.63/16	0.75/19	1.0/25	2.0/51	3.0/76
I	0.75/19	1.3/33	1.25/32	1.7/43	2.25/57

Your Rice Lake Weighing Systems distributor is:

RICE LAKE
WEIGHING SYSTEMS
To be the best by every measure®

230 W. Coleman St. • Rice Lake, WI 54868 • USA
TEL: 715-234-9171 • FAX: 715-234-6967 • www.ricelake.com

An ISO 9001 registered company © 2013 Rice Lake Weighing Systems PN 86775 11/13
Specifications subject to change without notice.