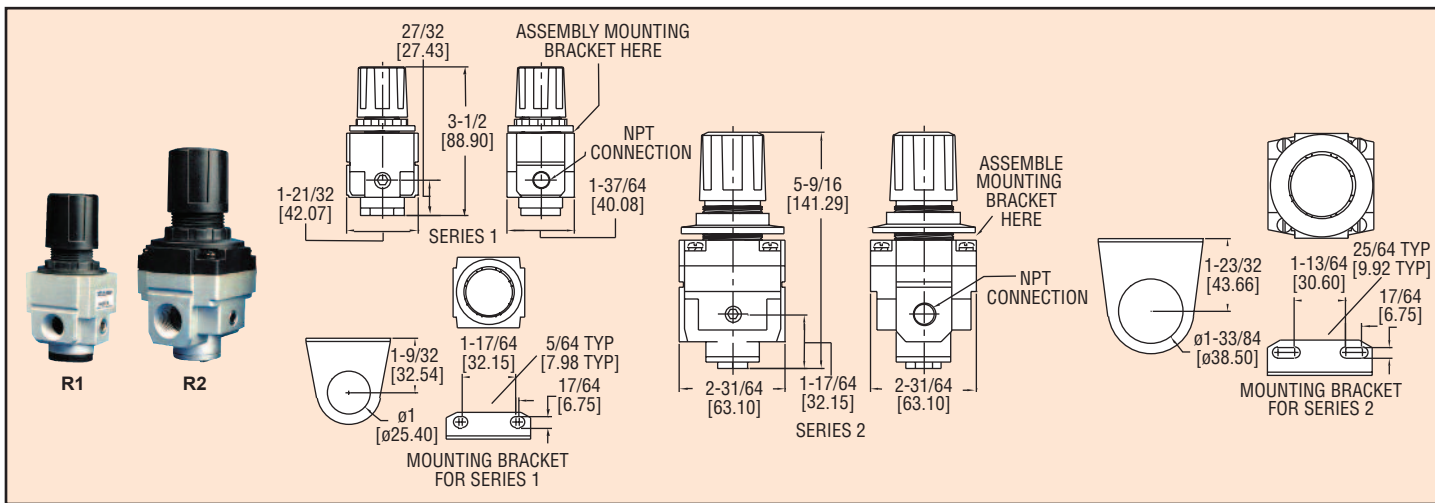




Series
R

Regulators

For Pneumatic Air Applications



R Series Pressure Regulators offer economic prices and high performance pressure regulation. Configurable units offer a variety of fitting and port sizes, and supply pressures ranging from 30 to 120 psig. The non-rising adjustment knob allows for simple and precise monitoring of pressure and features a push-pull lock ring.

Model	Process Connection	Pressure Range
R1-1120	1/8" NPT	120 psi
R1-2120	1/4" NPT	120 psi
R2-2120	1/4" NPT	120 psi
R1-1030	1/8" NPT	30 psi
R1-2030	1/4" NPT	30 psi
R2-2030	1/4" NPT	30 psi

SPECIFICATIONS

Service: Air only.
Wetted Material: Aluminum, polycarbonate and nitrile elastomer.
Output: 0 to 30 psig or 0 to 120 psig.
Max. Supply Pressure: 165 psig.
Temperature Limits: 41 to 140°F (5 to 60°C).
Sensitivity: <0.2 psig @ 25 psig.
Air Consumption: 0.3 SCFH @ max output.
Flow Capacity: R1: 40 or 60 SCFM @ 70 psig; R2: 90 SCFM @ 70 psig.
Exhaust Capacity: <0.25 SCFM @ 5 psig.
Process Connection: R1: 1/8" NPT or 1/4" NPT; R2: 1/4" NPT.