

Thank You

Thanks for purchasing a True Echo™ series PRX Explosion Proof Pulse Radar Level Transmitter from us! We appreciate your business and your trust. Please take a moment to familiarize yourself with the product and this manual before installation. If you have any questions, at any time, don't hesitate to call us at 888-525-7300.

NOTE: Scan the QR code to the right to see the full user manual on your tablet or smartphone. Or visit www.apgsensors.com/support to find it on our website.



Table of Contents

1. Description	5. Dimensions	9. Field Calibration
2. How To Read Your Label	6. Mounting Instructions	10. General Care
3. Warranty	7. Wiring Information	11. Repair Information
4. FCC Information & FM Approvals	8. Low Dielectric Material Mode	12. Removal Instructions

1 Description

True Echo™ PRX Explosion Proof Pulse Radar Level Transmitters bring the unassailably accurate level readings of radar sensors to Class I, II, and III hazardous locations. The True Echo™ PRX automatically adjusts signal power for optimal accuracy and clarity, with echo masking and damping factors programmable via software. With a low dielectric requirement for target materials, and radar's reliable accuracy in environments with foam, vapors, and dust the easy to install True Echo™ PRX makes getting dependable level readings in hazardous areas simple.

2 How To Read Your Label

Each label comes with a full model number, a part number, and a serial number. The model number for the PRX will look something like this:

▲ SAMPLE: PRX-100-V024-C4-SS-TE-T2-S

The model number correlates with all the configurable options and tells you exactly what you have. Compare the model number to the options on the datasheet to identify your exact configuration. You can also call us with the model, part, or the serial number and we can help you.

The label also includes the pinout, as does this installation guide.

3 Warranty

This product is covered by APG's warranty to be free from defects in material and workmanship under normal use and service of the product for 24 months. For a full explanation of our Warranty, please visit <https://www.apgsensors.com/about-us/terms-conditions>. Contact Technical Support to receive a Return Material Authorization before shipping your product back.

Scan the QR code below to read the full explanation of our Warranty on your tablet or smartphone.



4 FCC Information & FM Approvals

This equipment has been tested and found to comply with limits for a Class A digital device, pursuant to Part 15 of the FCC Rules. These limits are designed to provide reasonable protection against harmful interference when the equipment is operated in a commercial environment. This equipment generates, uses, and can radiate radio frequency energy and, if not installed and used in accordance with the instruction manual, may cause harmful interference to radio communications. Operation of this equipment in a residential area is likely to cause harmful interference in which case the user will be required to correct the interference at his own expense.

FM Approvals

Rated 12 - 30 VDC supply, 4-20 mA output, RS-232, RS-485, or HART communication
Explosion Proof
Class I, Division 1, Groups A, B, C, and D; Temperature Class T6 Ta = 60° C.
Dust-Ignition Proof
Class II/III, Division 1, Groups E, F, and G; Temperature Class T6 Ta = 60° C.
Hazardous (Classified) Locations, indoor/outdoor (Type 6, IP68)

True Echo™ Pulse Radar Level Transmitter Installation Guide

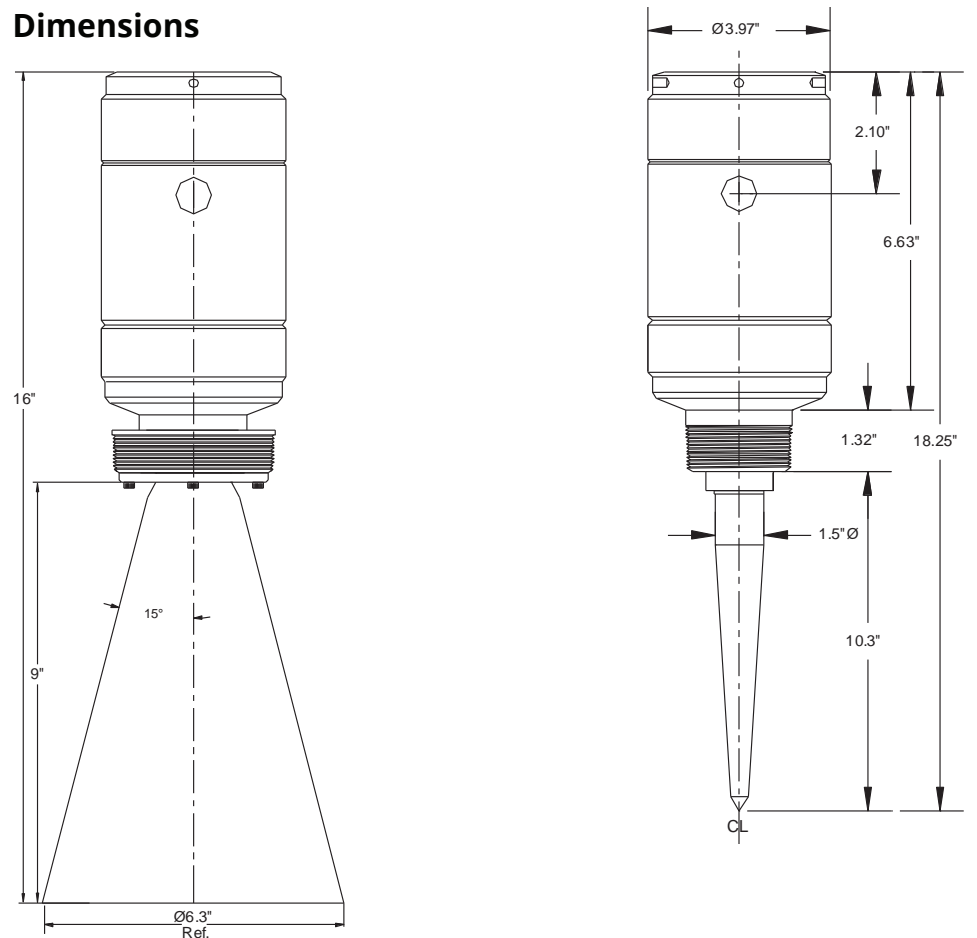
Series PRX Explosion Proof



Automation Products Group, Inc.
1025 W 1700 N Logan, UT 84321
www.apgsensors.com | phone: 888-525-7300 | email: sales@apgsensors.com

Part # 200116
Doc #9005316 Rev B

5 Dimensions



6 Mounting Instructions

- Mount your True Echo™ series radar so that it has a clear, perpendicular path to the surface being monitored. Your sensor should be mounted away from tank or vessel inlets. Do not mount radar in center of domed tank. (See Figure 4.1)
- The radar path should be free from obstructions and as open as possible for the 4° off axis beam pattern.
- If you are using a stand pipe, please see our guide to stand pipes on our website: <http://www.apgsensors.com/about-us/blog/how-to-install-a-stand-pipe>.

NOTE: Do not mount the sensor where the beam will intersect objects such as fill streams, pipes, ladder rungs, wall seams, or corrugated tank walls.

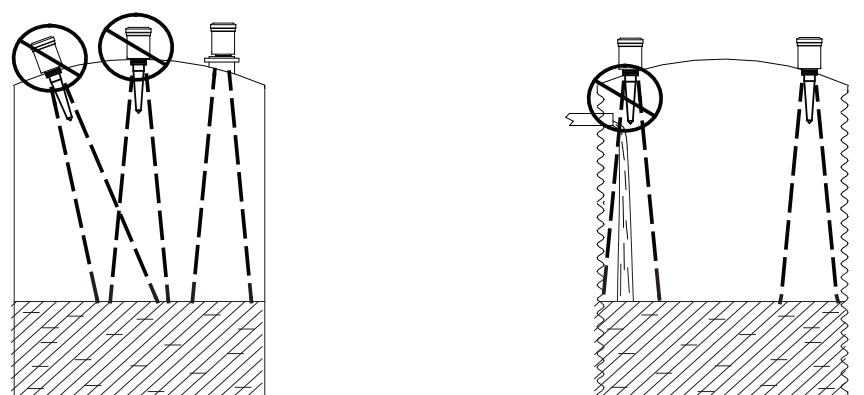
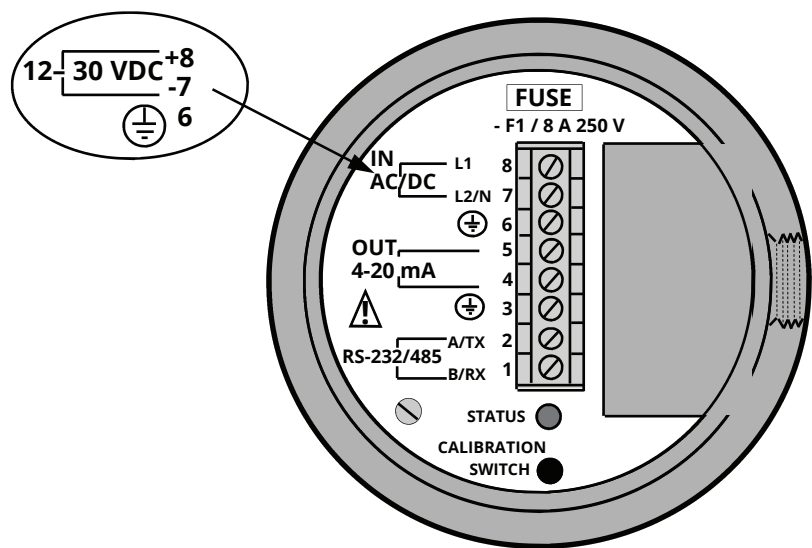
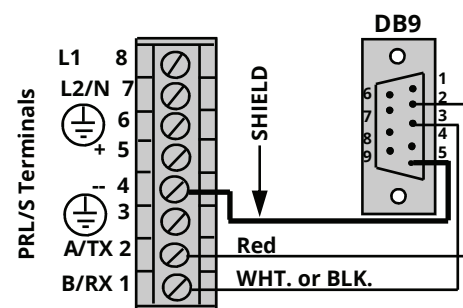


Figure 4.1

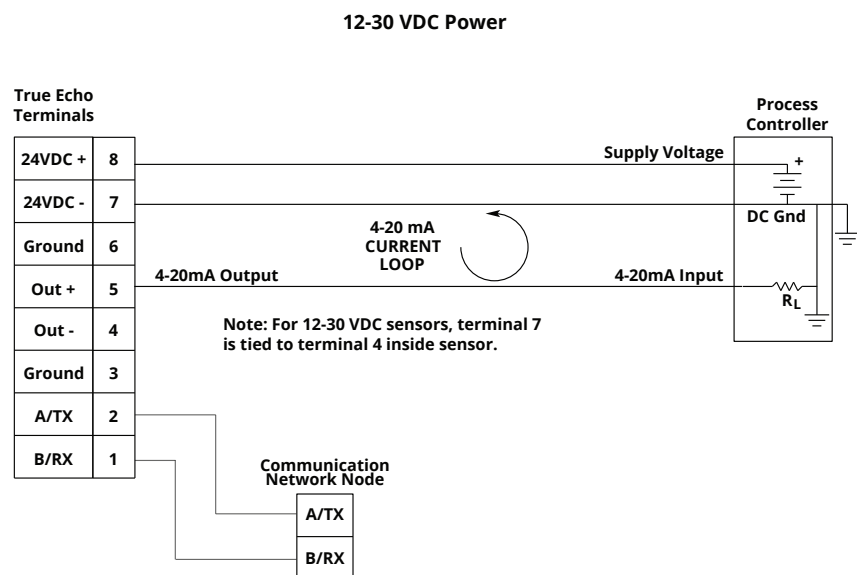
7 Electrical Terminals and System Wiring Diagrams



Terminals



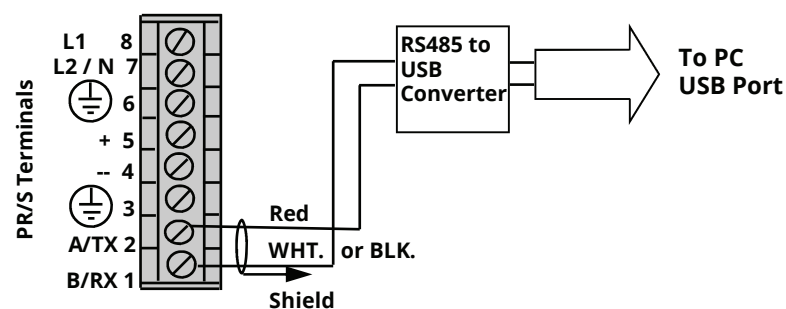
RS-232 Serial Connection to PC



Recommended Wiring:

- Power & Signal - 3 Conductor Shielded, 24 AWG, 300V.
- Communication - 1 Shielded Twisted Pair, 24 AWG, 300V.

Power and Control Wiring for 12-30 VDC Supply



RS-485/Modbus Connection to PC

IMPORTANT: Shield wire for RS-485/Modbus must only be connected on one end. If connecting at radar terminals, use terminal 3.

8 Low Dielectric Material Mode

Your True Echo™ Pulse Radar Level Transmitter has a setting to more accurately measure target materials with low dielectrics ($\epsilon < 4$). The Low Dielectric Materials mode can be turned on or off via the Calibration Switch on the radar.

- Unscrew the lid of the radar.
 - Blinking Green Status LED (see Terminals in Section 6) indicates Low Dielectric Materials mode is ON.
 - Solid Green Status LED indicates Low Dielectric Materials mode is OFF.
- To toggle the Low Dielectric Materials mode, press and hold the Calibration Switch button until the Status LED cycles from Yellow to Red and then off (see Terminals in Section 6).
- Replace lid of radar when finished.

DANGER: Do not remove lid of equipment installed in hazardous locations unless area is known to be non-hazardous.

9 Field Calibration

All True Echo™ Pulse Radar Level Transmitters can be calibrated in the field to set minimum or maximum material levels for 4 mA or 20 mA output.

For Full/Maximum Level Calibration

- Turn Low Dielectric Materials mode OFF (see Section 7 above).
- With target material at maximum desired level, press and hold Calibration Switch button.
 - For 20 mA output, release button when Status LED turns Yellow.
 - For 4 mA output, release button when Status LED turns RED.
- Status LED will flash after release to confirm setting.

For Empty/Minimum Level Calibration

- Turn Low Dielectric Materials mode OFF (see Section 7 above).
- With target material at minimum desired level, press and hold Calibration Switch button.
 - For 20 mA output, release button when Status LED turns Yellow.
 - For 4 mA output, release button when Status LED turns RED.
- Status LED will flash after release to confirm setting.

IMPORTANT: Low Dielectric Material mode must be OFF before performing level/output calibration. To calibrate for low dielectric materials, do not turn on Low Dielectric Material Mode until AFTER performing level/output calibration.

10 General Care

Your True Echo™ Radar Level Transmitter is very low maintenance and will need little care as long as it was installed correctly. However, in general, you should:

- Avoid applications for which the sensor was not designed. Follow all temperature range restrictions, and avoid contact with incompatible corrosive chemicals and fumes, or other damaging environments.
- Inspect the threads whenever you remove the sensor from duty or change its location.

12 Removal Instructions

- Ensure that power (VDC, control power, and communication power) to the radar is off.
- Unscrew top lid and detach wires from terminals.
- Disconnect conduit from radar.
- Remove the radar and store it in a dry place, at a temperature between -40° F and 140° F.
- If the radar was installed in a hazardous location, ensure that the cables will not energize while the sensor is disconnected.

DANGER: Do not disconnect equipment installed in hazardous locations unless all electrical power has been switched off or area is known to be non-hazardous.

11 Repair Information

If your True Echo™ Pulse Radar Level Transmitter needs repair, contact us via email, phone, or on-line chat on our website. We will issue you an RMA number with instructions.

- Phone: 888-525-7300
- Email: sales@apgsensors.com
- Online chat at www.apgsensors.com