

### Features

- Easy in: no special tools
- Easy out: no twisted cable
- Variable insertion length
- Compact: mounts in 3/4" pipe
- Universal style: Flow-through and submersion.
- Automatic temperature compensation available
- Industrial-grade quality at low cost

### Description

These industrial combination pH or ORP probes use the conventional measurement technique employing a process pH glass electrode (platinum for ORP) which is compared to a reference electrode in KCL solution.

These combination probes provide an economical alternative to higher cost models. The durable materials wetted by the process provide excellent chemical resistance. The convertible design of these probes allows them to be used in flow-through and submersion applications thus minimizing inventory requirements. The probes are offered with or without temperature compensation.

These models are installed

with a 3/4" MNPT compression fitting. With this design the probe does not screw into the process line but is simply inserted through the compression fitting. This allows a variable insertion depth from 3/4" to 4-1/4". Probe cleaning and system calibration is greatly facilitated.

The 585 series probes can be directly connected to the Shark,

SharkTX/P and 2200P/R analyzers, provided the instrument is within the reach of the 3 meter (10 feet) sensor cable. For longer transmission distance, preamplifiers suitable for automatic and fixed temperature compensation are available. Refer to the next page for more details.

### Applications

- Process Control
- Industrial and Municipal Water Treatment
- Industrial and Municipal Waste Treatment and Neutralization
- Fume Scrubbers
- Plating
- Circuit Board Manufacturing
- Food and Beverage
- Chemical Processing
- Pulp and Paper
- Mining
- Power Generation
- Pharmaceutical Industry

# Model P585/R585 Combination Style pH or ORP Probes

## Technical Data

### Measuring Range

pH	0 to 14 pH (Consult factory for applications below 2 or above 12).
ORP	-1000 to +1000 mV

### Wetted Materials

CPVC body, ceramic junction, glass electrode, EPDM (plus platinum for ORP)

### Temperature Limits

-5 to 80°C (23 to 176°F)

### Maximum Pressure

100 psig to 65°C

### Maximum Flow Rate

3 metres (10 ft.) per second

### Automatic Temperature Compensation

Standard in P585K only (Analyzer Dependent)

### Maximum Flow Rate

3 metres (10 ft.) per sec

### Stability

pH	0.05 pH per day, non-cumulative
ORP	3.0 mV per day, non-cumulative

### Sensitivity

pH	0.01 pH unit
ORP	1.0 mV

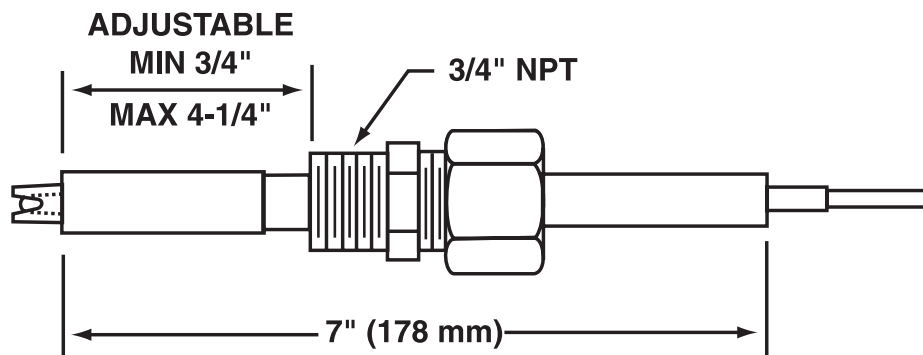
### Output Impedance

pH	250 Megaohms (typical)
ORP	2.0 Megaohms (typical)

### Sensor Cable

3 metres (10 ft.) coaxial, terminated with a spade lug for active electrode, other wires tinned

## Dimensions



## Related Products

### CABLES & ACCESORIES

JB1	NEMA 4X junction box with junction box
101-A	Encapsulated preamplifier in NEMA 4X enclosure
101-A-BNC	Encapsulated preamplifier with BNC connection in NEMA 4X enclosure
C42-5P-XXX	Interconnect cable - Dressed both ends - Specify heights in order

### CALIBRATION SOLUTIONS

A35-13	pH 4 Buffer, 500 mL
A35-14	pH 7 Buffer, 500 mL
A35-24	pH 10 Buffer, 500 mL
A35-40	ORP Buffer, 200 mV, 500 mL
A35-41	ORP Buffer, 600 mV, 500 mL

## Ordering Information

P575/P575-BNC	Industrial Combination pH probe for flow-through or submersion application without temperature compensation. BNC connector is available as an option.
P575K1	Industrial Combination pH probe for flow-through or submersion application with automatic temperature compensation. Compatible with Shark and SharkTX/P analyzers only. (PT1000 RTD)
P575K2	Industrial Combination pH probe for flow-through or submersion application with automatic temperature compensation. (300 ohm NTC)
R575/R575-BNC	Industrial Combination ORP electrode for flow-through or submersion application. BNC connector is available as an option.