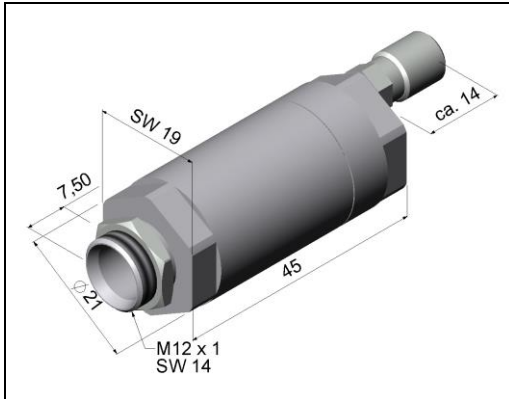
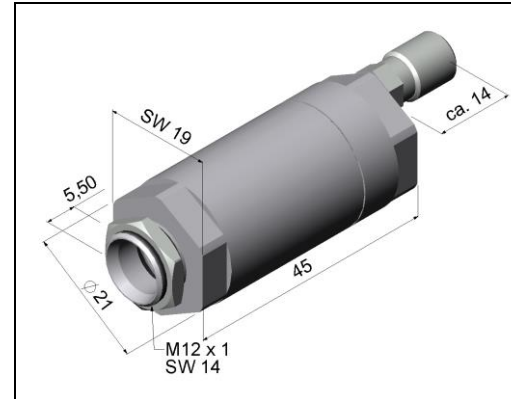


3.2 Air Purge Collars

The lens must be kept clean at all times from dust, smoke, fumes and other contaminants in order to avoid reading errors. These effects can be reduced by using an air purge collar. Make sure to use oil-free, technically clean air, only.

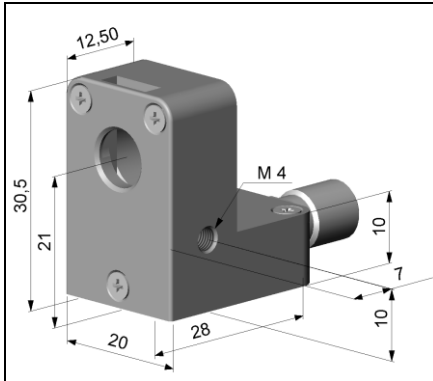


Standard air purge collar [ACCTAP] for optics with a D:S \geq 10:1 (not for sensing heads with 32 mm length), fits to the mounting bracket
Hose connection: 3x5 mm
Thread (fitting): M5



Standard air purge collar [ACCTAP2] for optics with a D:S \leq 2:1 (not for sensing heads with 32 mm length), fits to the mounting bracket
Hose connection: 3x5 mm
Thread (fitting): M5

The needed amount of air (approx. 2...10 l/ min.) depends on the application and the installation conditions on-site.

**Laminar air purge collar [ACCTAPL]**

The sideward air outlet prevents a cooling down of the object in short distances.

Hose connection: 3x5 mm

Thread (fitting): M5

**Laminar air purge collar with mounting fork [ACCTAPLMF], adjustable in 2 axes**

The needed amount of air (approx. 2...10 l/ min.) depends on the application and the installation conditions on-site.