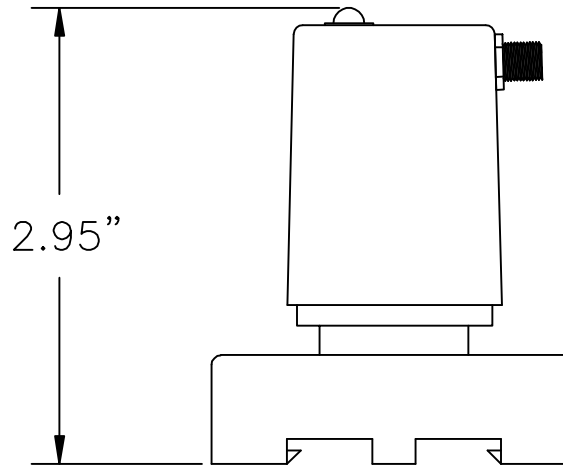
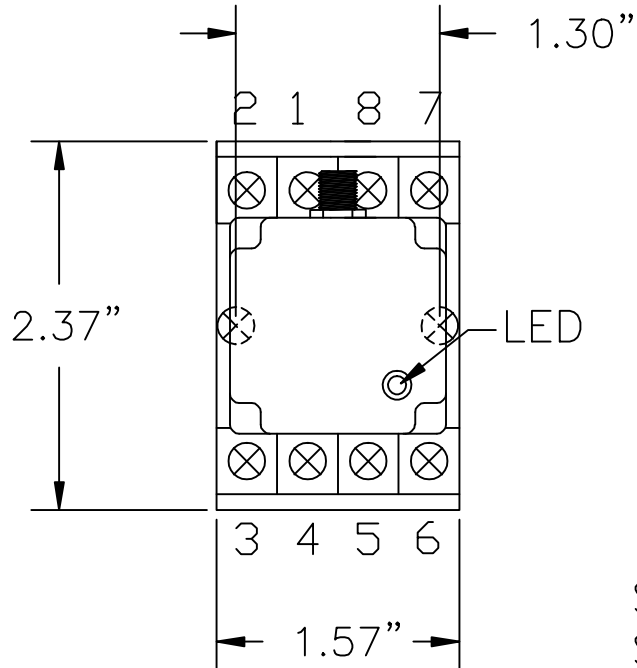
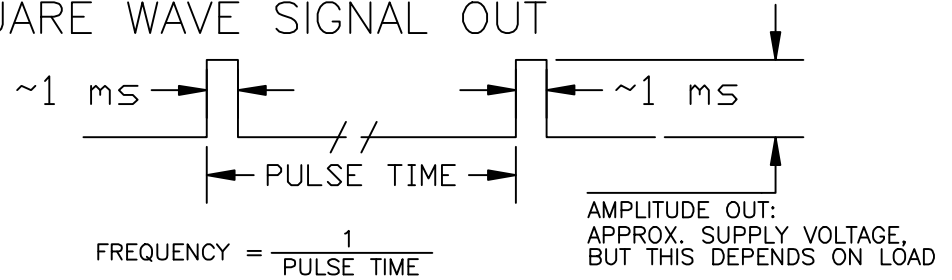


OPTV-20

- 2 - COMMON
- 1 - +7-24 VDC
- 8 - OPTICAL RECEIVER GROUND
- 7 - SQUARE WAVE SIGNAL OUT




SOCKET CAN ALSO BE USED WITH
SNAP-ON TRACK MOUNTING

C	INCREASED SUPPLY SPEC. TO 24Vdc	08-18-93	G.S.
B	ADDED TIMING DIAGRAMS	03-21-96	G.S.
REV.	DESCRIPTION OF CHANGE	DATE	BY

AW-LAKE COMPANY USE ONLY

THIS PRINT, INCLUDING THE INFORMATION CONTAINED IN IT, IS THE PROPERTY OF AW-LAKE COMPANY. IT IS CONSIDERED PROPRIETARY IN NATURE AND MAY NOT BE USED OR DISCLOSED OUTSIDE OF AW-LAKE COMPANY, EXCEPT UNDER PRIOR WRITTEN AGREEMENT. ANY MODIFICATIONS MADE TO OR COMMENTS WRITTEN ON THIS DRAWING BY UNAUTHORIZED PERSONNEL WILL VOID THIS DRAWING. ALL DIMENSIONS SHOWN ARE SUBJECT TO CHANGE WITHOUT NOTICE.

8809 INDUSTRIAL DRIVE
FRANKSVILLE, WI 53126
TEL. # (262) 884-9800
FAX. # (262) 884-9810



AW-LAKE COMPANY
A TABI GROUP COMPANY

TITLE: OPTV-20		PART NUMBER: AP04000A	
DRAWING NUMBER: OPT2300C		DATE: 5-20-02	
REV: C	DRAWN BY: SHANE WILSON	CHECKED BY: C.H.	PAGE 1 OF 1
SCALE: NONE			