

- High Accuracy  $\pm 1.0\%$
- Excellent Chemical Resistance
- 4-20mA + 2 Relay Outputs
- Display Turns From Green To Red

PVC

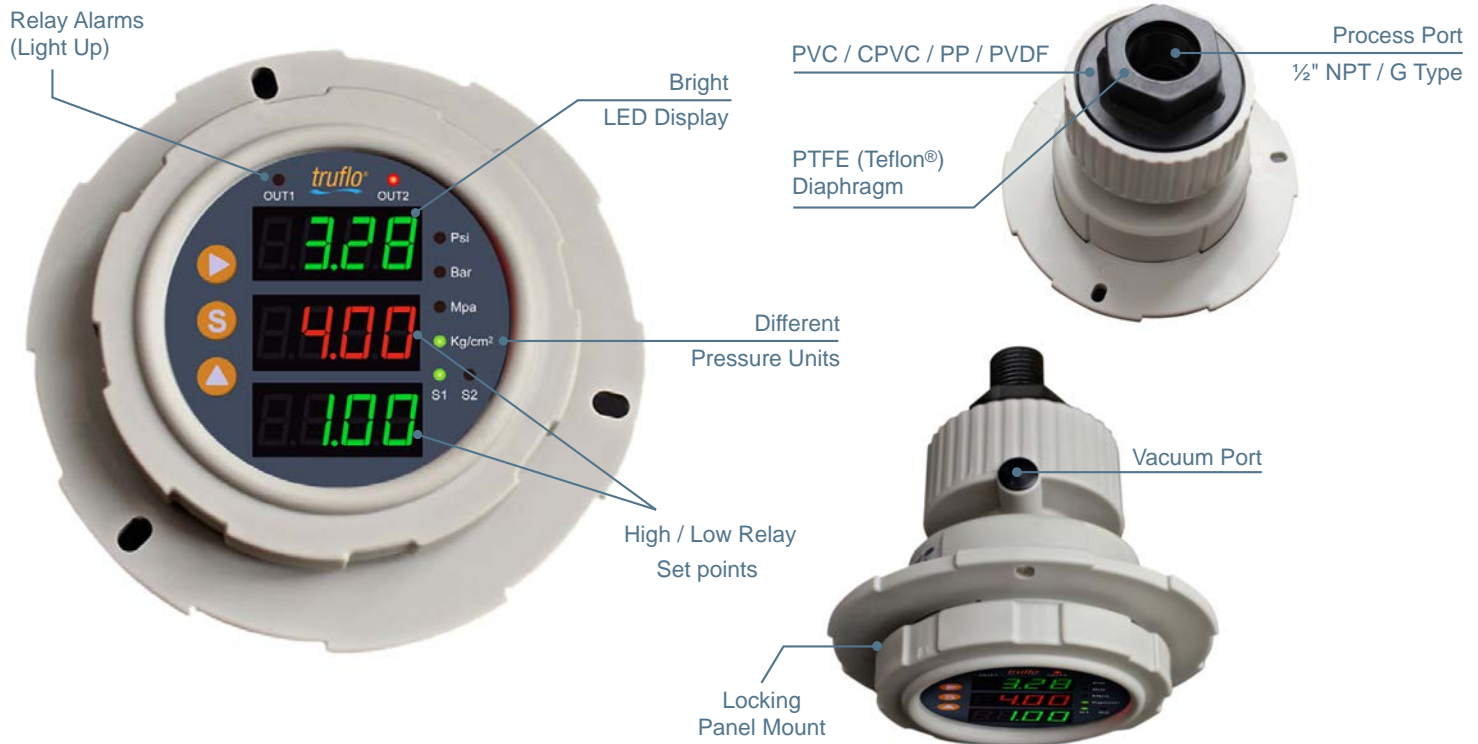
CPVC

PP

PVDF

RoHS  
Compliant

**SERIES : OBS-P-LE**  
**CONNECTION : 1/2" (M) / (F) NPT / G / Flange**  
**DIAPHRAGM : PTFE Teflon®**

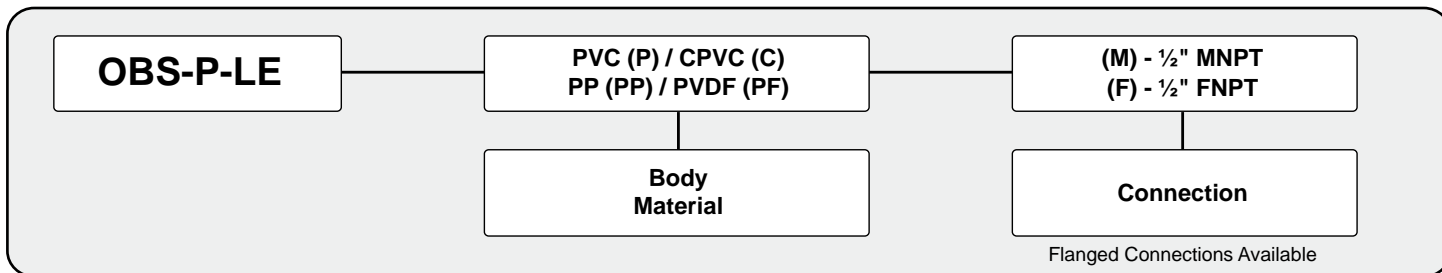


FEATURES
• All Plastic Gauge & Isolator
• No Filling Required
• Heavy Duty Design / Simple to Install
• Completely Corrosion Resistant
• Designed to Act as Visual Pressure Alert for Bag/Filter Change-Out
• Extra Large LED Display
• Reduces Small Pressure Surges caused by Water Hammer / Metering Pump Pulsations
• Highest Accuracy in Industry / $\pm 1.0\%$
• One-Piece Molded Design / No Assembly
• Suitable for Corrosive Media + Slurries
• No Programming Required
• PTFE Diaphragm / Standard
• No Assembly Required

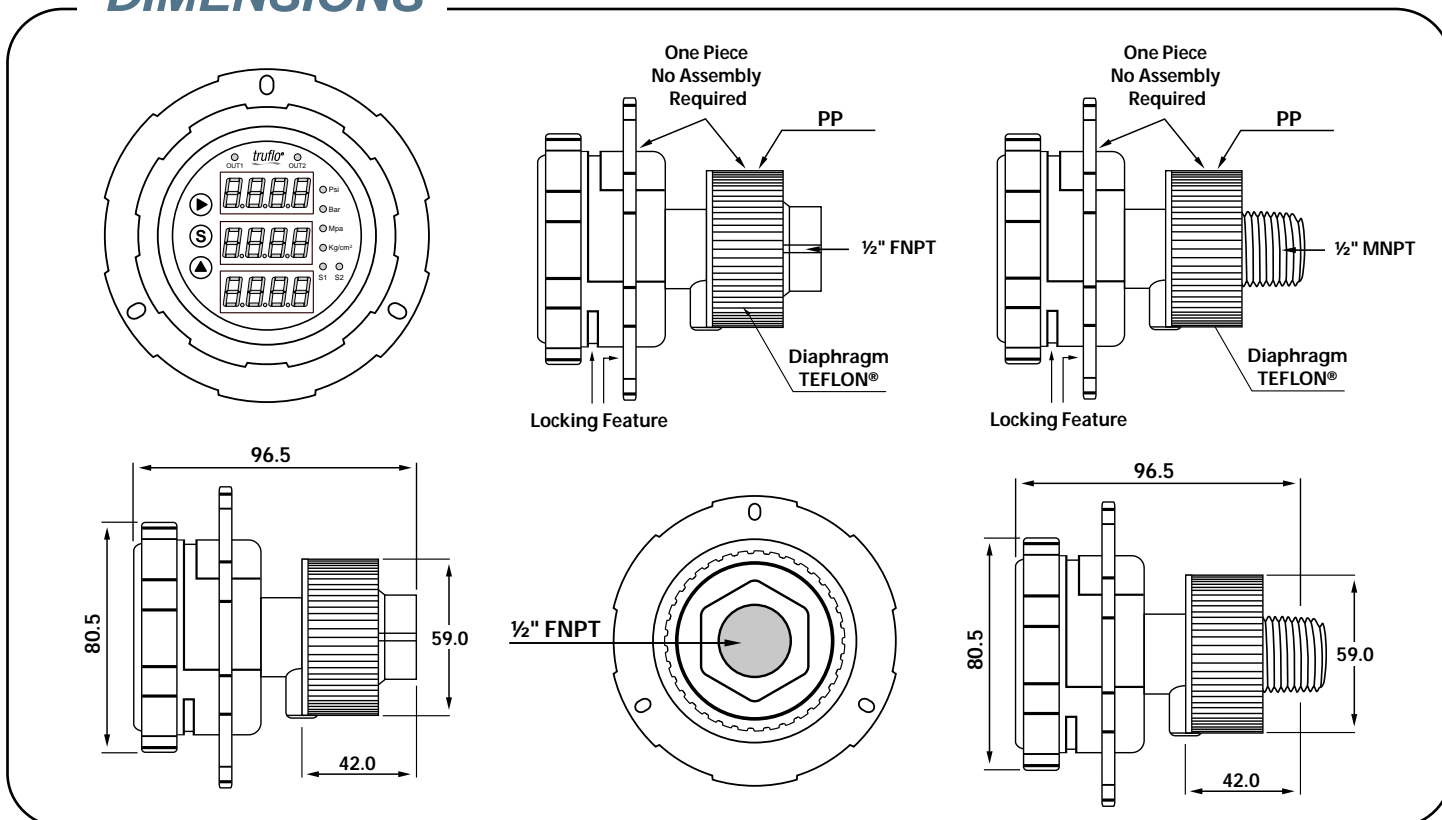
SPECIFICATIONS	
Dial Diameter	Large 2 1/2" Face / (Big Numbers)
Mounting	Back / Center Connection / 1/2"
Housing	Polypropylene / PTFE Diaphragm / One Piece Molded Design / No Assembly
Power Supply	10-30VDC
Pressure Display	LED Digits / psi / bar / MPa / kPa
Connection	1/2" (M) / (F) NPT / G Type / Flange
Accuracy	$\pm 1.0\%$
Operating Temperature	PVC - 140°F / CPVC - 180°F / PP - 170°F / PVDF - 195°
Pressure Range*	0-150 psi / 10 bar / Ambient Temp
Output	4-20mA + 2 (NPN or PNP) Relay Outputs

\* (Non-Shock)

## HOW TO ORDER



## DIMENSIONS



## INSTALLATION

Do not tighten by grasping the case of the gauge as this may cause damage.

1. Before installing the OBS Series pressure gauge, ensure attention is given to the Process Liquid, Chemical Compatibility, Temperature, Vibration, Pressure Spikes and other climatic and application conditions that may adversely affect the performance.
2. The user shall ensure that the correct gauge pressure range and the correct materials of construction are selected.

