



## Description

The new and improved RTX sensor is the latest addition to the legendary AquaMetrix differential sensor family. Our smart sensors maintain their robust design, but leverage the analytical power of our controllers, fully integrated. The 1.5" TX version also comes in a sleek Black PPS (Ryton®) for superior resistance to chemical and mechanical weathering.

The advantages of digital output sensors are compelling. They include reduced noise, higher immunity from stray voltages, calibration stored in the sensor, and the elimination of intermediary transmitters.

The new TX-series incorporates all the benefits of differential measurement found in other models of the 60 and 65 series, field-proven in thousands of installations.

The replaceable salt bridge has been completely redesigned for this series - no special tools are required! Simply grab a #3 Philips screwdriver or 1/2" wrench and rejuvenate your sensor in seconds.

The improved, universal flat-faced glass process electrode is specially designed for tough applications. A larger surface area guarantees quick readings

and outstanding performance, and a self-cleaning flush fit when installed inline ensures upkeep will be minimal. The process electrode is encased in a protective layer of PPS offering increased resistance to physical damage.

Aquametrix pH sensors are designed to simply and reliably ensure water quality compliance. Aquametrix pH sensors provide accurate measurements under conditions that often render conventional pH sensors inoperable.

Differential measurement technology uses two glass electrodes to make the measurement differentially with respect to a third metal electrode. The resulting true differential measurement has several advantages over conventional sensors: ground loop problems are virtually eliminated and the sensor can be restored to factory condition at modest cost by replacing the salt bridge and reference solution.

The sensor is compatible with any off-the-shelf 1.5" NPT fittings and serves as a drop-in replacement in fittings designed for the previous iteration. You no longer need to sacrifice precision for longevity with Aquametrix TX Sensors

## Features

- Low cost of ownership
- Stable and Repeatable performance
- Flat face electrode is standard
- Industrial Grade Quality
- Chemically resistant PPS body
- Universal style: flow-through and submersion
- Analog (4-20 mA) or Digital (RS485) Output
- Replaceable Salt Bridge
- Gold or Platinum Electrode
- Quick Ship Available

## Applications

- Process Control
- Industrial and Municipal Water Treatment and Neutralization
- Fume Scrubbers
- Mining
- Power Generation
- Food and Beverage
- Pharmaceutical Industry
- Pulp and Paper

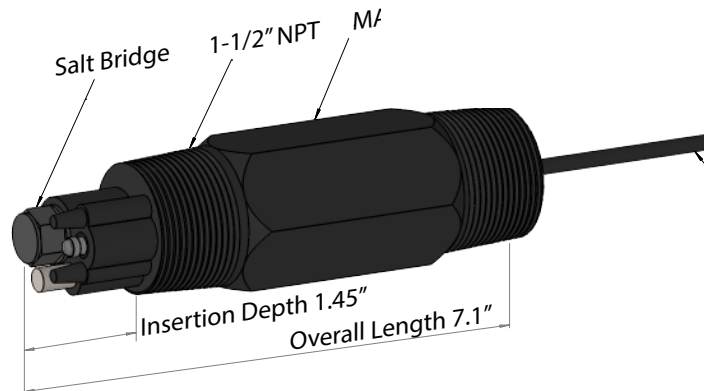
**Smart Inside.  
Tough Outside.**

# AquaMetrix RTXR8 Differential Smart Sensor

## Technical Data

Measuring Range	-1000 to + 1000 mV Digital Analog (4-20mA) range selectable	Stability	2 mV per day, non-cumulative
Wetted Materials	Ryton, CPVC, Kynar, glass, titanium palladium alloy and Viton, Platinum or Gold, *PVC (cable jacket), *Dynaflex (cable strain relief). * when fully submerged	Sensitivity	0.1 mV
Temperature Limits	-5 to 75°C (23 to 167°F)	Accuracy	± 5 mV
Maximum Pressure	100 psig at 65°C maximum	Sensor Cable	Default length 15ft. (4.6m) 2-wire Analog 2-wire RS485 1-wire ground
Maximum Flow Rate	10 ft./sec maximum (3 metres/sec)		
Temperature Compensation	N/A		

## Dimensions



## Related Products

### ANALYZERS

AM-2300 Multi-Input Controller

### ACCESORIES

AM-JB2 NEMA 4X junction box  
 AM-TEE-8 2" Union Tee with adaptor for -8 series  
 AM-SFL-8 2" Sanitary Flange for -8 series  
 AM-ARM-8 Submersion hardware for tank mounting  
 AM-JET-8 Jet cleaner for -8  
 AM-PTR-8 Electrode protector for -8  
 AM-SBK3-R8 Salt Bridge Kit, package of 3  
 AM-SBK10-R8 Salt Bridge Kit, package of 10  
 AM-CBL Extension cable

### CALIBRATION SOLUTIONS

AM-R200-1P ORP Standard, 200 mV, 1 pint (500 mL)  
 AM-R600-1P ORP Standard, 600 mV, 1 pint (500 mL)

## Ordering Information

RTXR8-015	ORP probe with Platinum electrode, Smart Analog output (4-20mA) or Digital (RS485) industrial differential pH sensor for flow-through or submersion application. Compatible with AM-2300 and any PLC with 4-20mA input. Standard 15 ft cable.
R65R8G-015	ORP probe with Gold electrode, Smart Analog output (4-20mA) or Digital (RS485) industrial differential pH sensor for flow-through or submersion application. Compatible with AM-2300 and any PLC with 4-20mA input. Standard 15 ft cable.