



# XTC601

## Thermal Conductivity Analyzer

### User's Manual



97400 Issue 2  
July 2015

Please fill out the form(s) below for each instrument that has been purchased.

Use this information when contacting Michell Instruments for service purposes.

Analyzer	
Code	
Serial Number	
Invoice Date	
Location of Instrument	
Tag No	

Analyzer	
Code	
Serial Number	
Invoice Date	
Location of Instrument	
Tag No	

Analyzer	
Code	
Serial Number	
Invoice Date	
Location of Instrument	
Tag No	



## Contents

Safety .....	vii
Electrical Safety .....	vii
Hazardous Area Safety .....	ix
Pressure Safety .....	x
Temperature Safety .....	x
Toxic Materials .....	x
Repair and Maintenance .....	x
Calibration .....	x
Safety Conformity .....	x
Abbreviations .....	xi
1 INTRODUCTION .....	1
1.1 Features .....	2
1.2 Applications .....	3
1.3 O-Ring Selection.....	3
2 OPERATION .....	4
2.1 Preparation .....	4
2.2 Powering up the Analyzer.....	5
2.3 User Interface .....	6
2.3.1 Interface Controls .....	6
2.3.2 'ESC' Button.....	7
2.3.3 'Up/Down Arrow' Buttons.....	7
2.3.4 'ENTER' Button .....	7
2.4 Menu Structure .....	8
2.4.1 Menu Map .....	9
2.5 Front Pages (No Passcode Required).....	9
2.5.1 Main Page .....	10
2.5.2 Chart Page .....	11
2.5.3 Secondary Parameters Page.....	12
2.5.4 Target Gas Min/Max Page .....	12
2.5.5 Alarms Log Pages .....	13
2.6 Info Page .....	13
2.7 User Set-Up Variables (Passcode Required) .....	14
2.7.1 Settings Page.....	15
2.7.2 Human Machine Interface (HMI) Page .....	16
2.7.3 Reset Page .....	16
2.7.4 Outputs Page.....	17
2.7.5 External Compensation Page.....	18
2.7.6 External Sensor Page .....	19
2.7.7 Clock Page.....	20
2.7.8 Field Cal Page.....	20
2.7.9 Status LED or Light Guide.....	21
3 CALIBRATION.....	22
3.1 1 Point Calibration .....	23
3.2 2 Point Calibration .....	24
3.3 Field Calibration Reset .....	25
4 INSTALLATION .....	26
4.1 Unpacking.....	27
4.2 System Components .....	27
4.2.1 Casing.....	28
4.3 Set-Up.....	28

4.4	Mechanical Installation.....	29
4.4.1	Gas Connection Tape.....	30
4.4.2	Sample Gas Requirements .....	30
4.4.3	Calibration Gases .....	30
4.5	Electrical Installation.....	31
4.5.1	Power Supply and Input/Output Signal .....	31
4.5.2	Power Supply (PL9 - Green) .....	31
4.5.3	Analog Output .....	31
4.5.4	Serial Output .....	32
4.5.5	Analog (4-20 mA) Outputs and Communications (PL5 - Green).....	32
4.5.6	Alarm Relay Contacts (PL1- Black).....	32
4.5.7	Analog (4-20 mA) Inputs and Sensor Excitation Voltage (PL4 - Green) .....	33
4.5.8	Light Guide.....	33

## Figures

Figure 1	XTC601 Thermal Conductivity Analyzer Versions .....	1
Figure 2	Initializing Screen .....	5
Figure 3	Main Page.....	5
Figure 5	XTC601 Application Software.....	6
Figure 4	User Interface .....	6
Figure 6	ESC Button .....	7
Figure 7	Up/Down Arrow Buttons .....	7
Figure 8	ENTER Button .....	7
Figure 9	Menu Map.....	9
Figure 10	1 Point Calibration Page .....	23
Figure 11	2 Point Calibration Page .....	24
Figure 12	XTC601 Showing Major Components.....	27
Figure 13	XTC601 Lid Removal.....	28
Figure 14	XTC601 Gas Connections and Cable Entries.....	29
Figure 15	Terminal Block Locations.....	31
Figure 16	2 Port Dimensional Drawings.....	38
Figure 17	4 Port Dimensional Drawings.....	39

---

## Appendices

Appendix A	Technical Specifications.....	35
Appendix B	Dimensional Drawings.....	38
Appendix C	Relative Thermal Conductivity Table.....	41
Appendix D	Modbus Register Map .....	43
Appendix E	Hazardous Area Certification .....	50
	E.1 Product Standards .....	50
	E.2 Product Standards .....	50
	E.3 Global Certificates/Approvals .....	50
	E.4 Special Conditions.....	50
	E.5 Maintenance and Installation.....	51
Appendix F	EU Declarations.....	53
	F.1 EU Declaration of Conformity - GP Version.....	53
	F.2 EU Declaration of Conformity - EX Version .....	54
Appendix G	Quality, Recycling & Warranty Information.....	56
	G.1 Pressure Equipment Directive (PED) 97/23/EC .....	56
	G.2 Recycling Policy .....	56
	G.3 WEEE Compliance.....	56
	G.4 RoHS2 Compliance .....	57
	G.5 Warranty.....	57
	G.6 REACH Compliance .....	58
	G.7 Return Policy.....	58
	G.8 Calibration Facilities .....	59
	G.9 Manufacturing Quality .....	59
	G.10 FCC (EMC Requirements for North America) .....	59
Appendix H	Analyzer Return Document & Decontamination Declaration .....	61

## Safety

The manufacturer has designed this equipment to be safe when operated using the procedures detailed in this manual. The user must not use this equipment for any other purpose than that stated. Do not apply values greater than the maximum value stated.

This manual contains operating and safety instructions, which must be followed to ensure the safe operation and to maintain the equipment in a safe condition. The safety instructions are either warnings or cautions issued to protect the user and the equipment from injury or damage. Use qualified personnel and good engineering practice for all procedures in this manual.



**Where this symbol appears in the following sections it is used to indicate areas where potentially hazardous operations need to be carried out and where particular attention to personal and personnel safety must be observed.**

## Electrical Safety



**WARNING:**  
During the installation of this product ensure that all applicable national and local electrical safety regulations are observed.



**WARNING:**  
Isolate the power prior to installation.



**WARNING:**  
Always ensure that power is switched off prior to accessing the product for any purpose other than normal operation or prior to disconnecting any cables.

In compliance with IEC 61010 Electrical Safety Standard the following applies to this product:

### Equipment ratings:

This equipment must be supplied with a voltage of 24 V DC, 1.5 A (36 W).

The power is connected via PL9 on the mother board (see Section 4.5).

All input and output connectors are 2-part pcb mounted type.

The detachable, screw terminal half of each connector is designed to accept 24 -12 AWG stranded or solid conductors.

Ensure suitably rated power supply cables and glands are used to ensure that electrical safety is maintained. Connect to the POWER IN each of the Live (L), Neutral (N) and Earth [Ground] (E) conductors to the similarly marked terminals (L, N, E). Ensure the power supply can deliver sufficient power consumption requirement.

Ensure any power supply terminals and voltages are suitably separated from the other I/O requirements of this product.

Before applying power, perform a continuity test to ensure that the power supply cable and product are effectively connected to the protective Earth.

The product enclosure is supplied with an external Earth stud at the lower right hand side. At installation, connect this Earth stud to plant Earth by a minimum 4mm<sup>2</sup> earthing bonding.

Fuse - A replacement fuse can be obtained by contacting Michell Instruments' technical support. Michell order number - XTP601-26149.

This product is designed to operate, as a minimum, between a temperature range of -5 to +40°C (+23 to +104°F), in maximum 80% relative humidity for temperatures up to +31°C (+87°F) decreasing linearly to 50% RH at 50°C (122°F). Supply voltages of ±10% and transient over voltages up to Overvoltage Category II. Pollution Degree 2. Altitudes up to 2,000 mtrs. Outdoor mounting is permitted using suitably rated glands equivalent to NEMA 4 / IP66. See Technical Specifications (Appendix A) in this manual for full operating parameters. Do not remove or exchange any of the cables or electrical components supplied with this product. To do so will invalidate all warranties. There are no additional or special electrical safety requirements other than those referred to in this manual.

Location and mounting arrangements. Refer to the relevant sections of this manual for the location and mounting details.

Installation of this equipment should include the provision of a suitable and locally positioned power isolation switch or circuit breaker.

Ensure this equipment and all power isolation devices are installed in a location and position that allows safe and easy access to their operation and is adequate to rigidly support the equipment.

Do not install this equipment in a location that would expose it to impact or high levels of vibration.

Operation of this equipment, other than in a manner as specified by the manufacturer, may impair the safety protections provided.

The safe installation of this equipment and any system incorporating this equipment is the responsibility of the installer. Ensure local regulations and requirements are referred to prior to any installation commencing.



## Hazardous Area Safety

Appendix E of this manual refers to the EX version and the Hazardous Area Certification of this product.

This product is fitted with a marking label that contains Hazardous Area information pertinent to the suitable location and installation.

During all installation and operation activities local regulations and permitted working routines must be observed. Installation should only be performed by competent personnel and in accordance with IEC/En 60079-14:2008 or local equivalent.

Repair and servicing of this equipment must only be carried out by the manufacturer.



**WARNING:**  
**This product is certified safe for use in a Zone 1 and Zone 2 area only. This product must not be installed or used within a Zone 0 area.**



**WARNING:**  
**This product must not be operated within an explosive atmosphere greater than 1.1 bar absolute.**



**WARNING:**  
**This product must not be operated with oxygen above 21% in a hazardous area.**



**WARNING:**  
**This product must not be operated outside of the temperature range of -20 to +55°C (-4 to +131°F).**

## Pressure Safety



**WARNING:**  
**This product is used in conjunction with pressurized gases.**  
**Observe pressurized gas handling precautions.**



**WARNING:**  
**Pressurized gas is dangerous.**  
**Pressurized gas should only be handled by suitably trained personnel.**

The XTC601 measurement chamber requires pressurized gas to be connected to it. Observe pressurized gas handling regulations. Suitably trained personnel only should carry out tasks that include the use of pressurized gas mediums.

DO NOT permit pressures greater than the safe working pressure to be applied to the instrument. The specified safe working pressure for this instrument is 3 barg (43 psig) max.

## Temperature Safety

During operation some internal parts of the instrument may be at high temperature.

## Toxic Materials

The use of hazardous materials in the construction of this instrument has been minimized. During normal operation it is not possible for the user to come into contact with any hazardous substance which might be employed in the construction of the instrument. Care should, however, be exercised during maintenance and the disposal of certain parts.

Long exposure to, or breathing of the calibration gases, may be dangerous.

## Repair and Maintenance

The instrument must be maintained either by the manufacturer or an accredited service agent. For Michell Instruments' worldwide offices contact information go to [www.michell.com](http://www.michell.com).

## Calibration

The recommended calibration interval for the analyzer is 1 to 3 months.

## Safety Conformity

This product carries the CE mark and meets the requirements of relevant European safety directives.

## Abbreviations

The following abbreviations are used in this manual:

A	Ampere
AC	alternating current
bara	pressure in bar (absolute)
barg	pressure in bar (gauge)
°C	degrees Celsius
°F	degrees Fahrenheit
DC	direct current
kg	kilogram
kPa	Kilopascal
lb	pound
max	maximum
mA	milliampere
ml/min	milliliters per minute
mm	millimeters
µm	micrometer
ppm	parts per million
psig	pounds per square inch
scfh	standard cubic feet per hour
V	Volt
"	inches
Ω	ohm
%	percentage

## 1 INTRODUCTION

This manual will show how to measure binary or pseudo-binary gases easily using the XTC601 Thermal Conductivity Analyzer.

The following sections contain information about:

- Analyzer components
- Operating instructions
- Calibration and maintenance of the analyzer
- Installation

Please read this manual carefully and pay special attention to the safety warnings and notifications.

**NOTE: Warnings and important notifications are marked with bold text.**

The 4 versions of the XTC601 available (with two or four gas ports) are shown below:

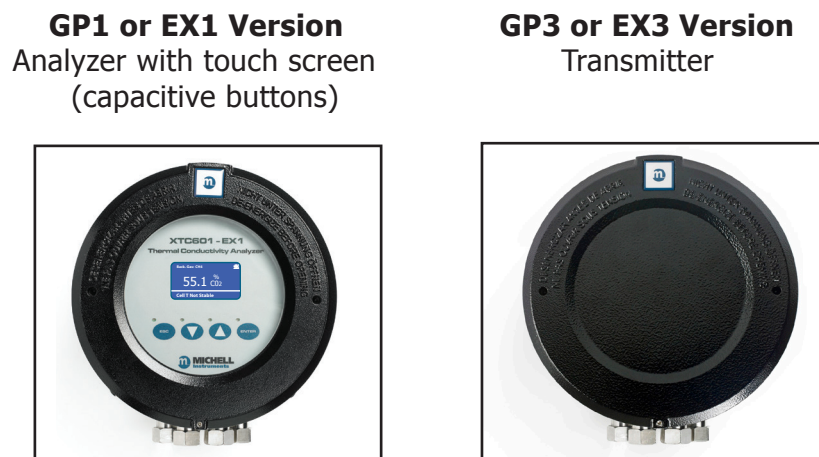


Figure 1 *XTC601 Thermal Conductivity Analyzer Versions*

The XTC601 Thermal Conductivity Analyzer is based on Michell Instruments' advanced proprietary technology. It measures the percentage levels of a Target Gas in a selection of background gases, including nitrogen, hydrogen, carbon dioxide, methane and biogas. The sensor is housed in a weather-proof (GP version) or explosion-proof (EX version) casing - both IP66 & NEMA 4 rated. It is suitable for a range of applications in safe or hazardous areas.

## 1.1 Features

- There are 2 casing versions of the XTC601 available, all of which can be configured with 2 port (sealed reference) or 4 port (flowing reference):

Analyzer with display and touch screen (capacitive) buttons  
Transmitter

- The XTC601 provides 2 off 4-20 mA analog output signals that are proportional to the Target Gas concentration. The primary 4-20 mA output is locked on the calibrated range of the instrument. The secondary output is user-selectable within the calibrated range.
- Modbus RTU over RS485 protocol serial communications are provided as standard.
- Accuracy of 2% for standard ranges.
- Zero and span stability of 0.5% of span per month.
- The sensor used in the XTC601 Thermal Conductivity Analyzer has no moving parts. This reduces sensitivity to vibration and movement.
- The robust and weather-proof enclosure (IP66 rated) allows the XTC601 to be installed on-site, at the point of measurement. The EX version is housed in an explosion-proof casing, and is certified to II 2GD Ex d IIB+H2 T3 Gb, Ex tb IIIC T137°C Db IP66 T amb -40°C to +55°C.
- All of the analyzer functions can be accessed via the touch screen (capacitive) buttons, or via the Application Software.
- Low cost of ownership due to minimal maintenance. When required, the casing unscrews to allow for easy access to the sensor, enabling maintenance to be carried out quickly and easily.
- The XTC601 is certified to ATEX, IECEx, cCSAus & TC TR Ex for use in hazardous areas.
- 2 x single pole change-over relay alarms for Target Gas concentration, supplied as standard.

## 1.2 Applications

The XTC601 binary gas analyzer is designed for use in process environments.

A sample system may be required to ensure that a clean, dry gas with no particles or oil-mist is delivered to the XTC601. This will ensure the sensor is not damaged or contaminated by the process. Michell Instruments is able to supply a quotation for such a system.

Examples of applications include:

- H<sub>2</sub> generator cooling systems (Power Generation)
- H<sub>2</sub> in heat treatment furnaces (Metals)
- CO<sub>2</sub> in fermentation process (Food)
- CO<sub>2</sub> in biogas
- Ethylene Oxide sterilization process (Food)
- H<sub>2</sub> in blast furnace top gas (Steel)
- H<sub>2</sub> in hydrocarbons (Petrochemical)
- He recovery (Industrial Gas)
- N<sub>2</sub> in CO<sub>2</sub> (Industrial Gas)
- SF<sub>6</sub> in switchgear

## 1.3 O-Ring Selection

The XTC601 has only one elastomeric seal in the gas path. There are 3 types of O-rings available to offer greater flexibility with material compatibility. The Viton O-ring is fitted as standard. The EKRAZ O-ring is available for solvent resistance. For extremely low temperatures there is a closed cell Silicone O-ring.

To comply with Hazardous Area certification, the material used in the EX1 & EX3 versions is dependent on the lowest ambient temperature of the area the units are to be installed in:

Ambient operating range:

-40°C to +55°C (-40°F to +131°F) (for Silicone O-ring)

-15°C to +55°C (+5°F to +131°F) (for Viton O-ring) - Standard

-10°C to +55°C (+14°F to +131°F) (for Ekraz O-ring)

## 2 OPERATION



**The XTC601 is not certified for use with enriched Oxygen samples in a hazardous area.**

This analyzer has been manufactured within our quality procedures and is configured according to the purchase order. When it is installed and used as per the manufacturer's guidelines, it will operate within the stated specification.

Before starting operation it is recommended that the user becomes familiar with this manual in which all the equipment controls, indicators, the elements of the display and the overall menu structure are described.

### 2.1 Preparation



**Before applying power and beginning the flow of gas, please ensure that the system has been properly installed following the instructions in Section 4.**

**Check that the wiring has been completed correctly.**

Zero and Span gas cylinders with correct regulation and flow control should be in place before installing and powering up the analyzer. Commissioning should include a check with both gases and, if necessary, a field calibration performed.

All analyzers will be calibrated with an inlet pressure of 1 barg (14 psig) with an atmospheric vent and flow rate of 300 ml/min (0.63 scfh). The calibration gas applied to the analyzer should be at the same pressure and flow rate as the process gas being sampled.

- Sample Inlet Pressure: 0 to 3 barg (0 to 43 psig) with atmospheric vent
- Sample Flow Rate: 100 to 600 ml/min (0.2 to 1.27 scfh)

## 2.2 Powering up the Analyzer



After all the preparation work has been done and the installation and wiring have been checked, turn on the analyzer and wait for at least 45 minutes (or until Cell T Not Stable message disappears). This will allow the analyzer to reach its operating temperature of +50°C (122°F) and protect it from any condensation forming in the sensor.

There is no power switch on the XTC601 Thermal Conductivity Analyzer. It is turned on automatically once a 24 V DC power source is applied. After the analyzer is powered up, the display will be illuminated. The analyzer takes up to 5 seconds to initialize, and during this period will display the product type and firmware version number.



Figure 2 *Initializing Screen*

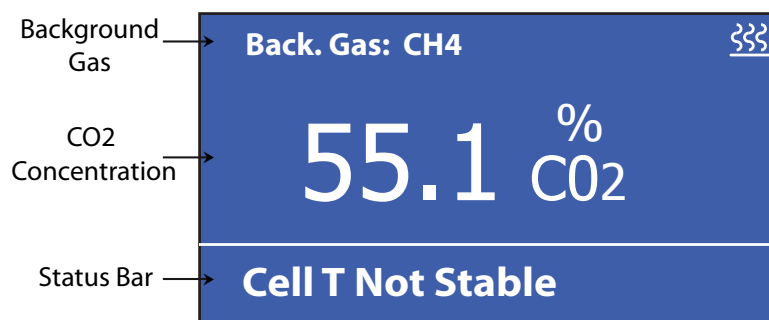


Figure 3 *Main Page*

Once initialized, the analyzer will show the Main Page which displays the Target Gas concentration and the background gas that the unit has been calibrated in.

During warm-up (less than 30 minutes) a heating symbol will flash in the top right hand corner of the page. This symbol will remain for a minimum of 15 minutes until the temperature has stabilized. The analyzer will be ready for use within 45 minutes from power-up.



2.3 User Interface

2.3.1 Interface Controls

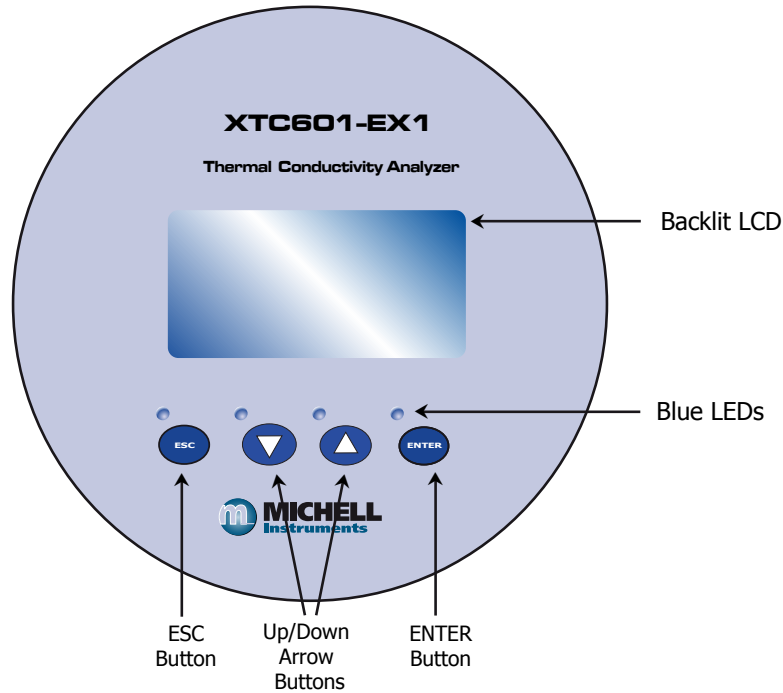


Figure 4 User Interface

The diagram above illustrates the user interface, which consists of a backlit Liquid Crystal Display and 4 touch-sensitive pads that facilitate user interaction through the glass of the enclosure.

All versions have Application Software to monitor or adjust parameters.

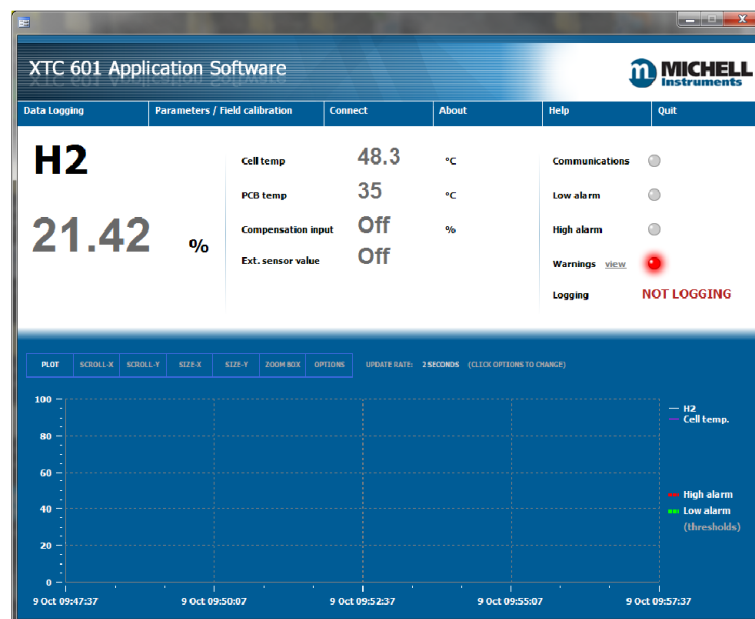


Figure 5 XTC601 Application Software

### 2.3.2 'ESC' Button



Figure 6 *ESC Button*

The **ESC** button is used to exit the current menu and to return to the previous menu.

From the Main Page, pressing **ESC** will access the Info Page.

### 2.3.3 'Up/Down Arrow' Buttons

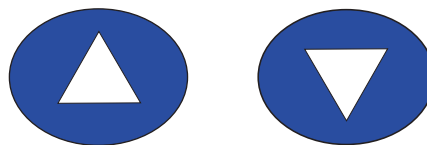


Figure 7 *Up/Down Arrow Buttons*

The **Up** (▲) and **Down** (▼) buttons are used to change pages, scroll through lists and adjust values.

In the Reset and Field Calibration Menus, pressing the **Up** (▲) button 3 times will confirm a selection.

### 2.3.4 'ENTER' Button



Figure 8 *ENTER Button*

The **ENTER** button is used to select or de-select the highlighted item in a menu and to confirm a value.

From the Main Page, pressing **ENTER** will access the Passcode Page.

## 2.4 Menu Structure

The EX1 and GP1 versions of the XTC601 have front pages that do not require a passcode but allow the user to scroll through and view Target Gas concentration, recent trend, internal parameters, minimum & maximum concentration and alarm history.

In order to change any settings on the User Menu pages, the user must enter a passcode. There is also a separate passcode for service engineers to allow factory setting changes.

To access the User Menu press the **ENTER** button from the Main Page to call up a passcode prompt. Use the **Up** (▲) and **Down** (▼) buttons and press **ENTER** after each value.

### **The User Passcode is: 1919**

From the Main Page the user can press the **ESC** button to view the Info Page. This page shows the firmware version, hours used, last calibration date, calibration pressure and the received Modbus code.

The user will be able to set up and access all functions of the transmitter versions via the Application Software supplied. The passcode is the same as with the EX1 and GP1 versions (**1919**). The Application Software will be supplied on a CD with the unit.

The passcode is stored for one minute to allow access back into the User Menu, if necessary.

2.4.1 Menu Map

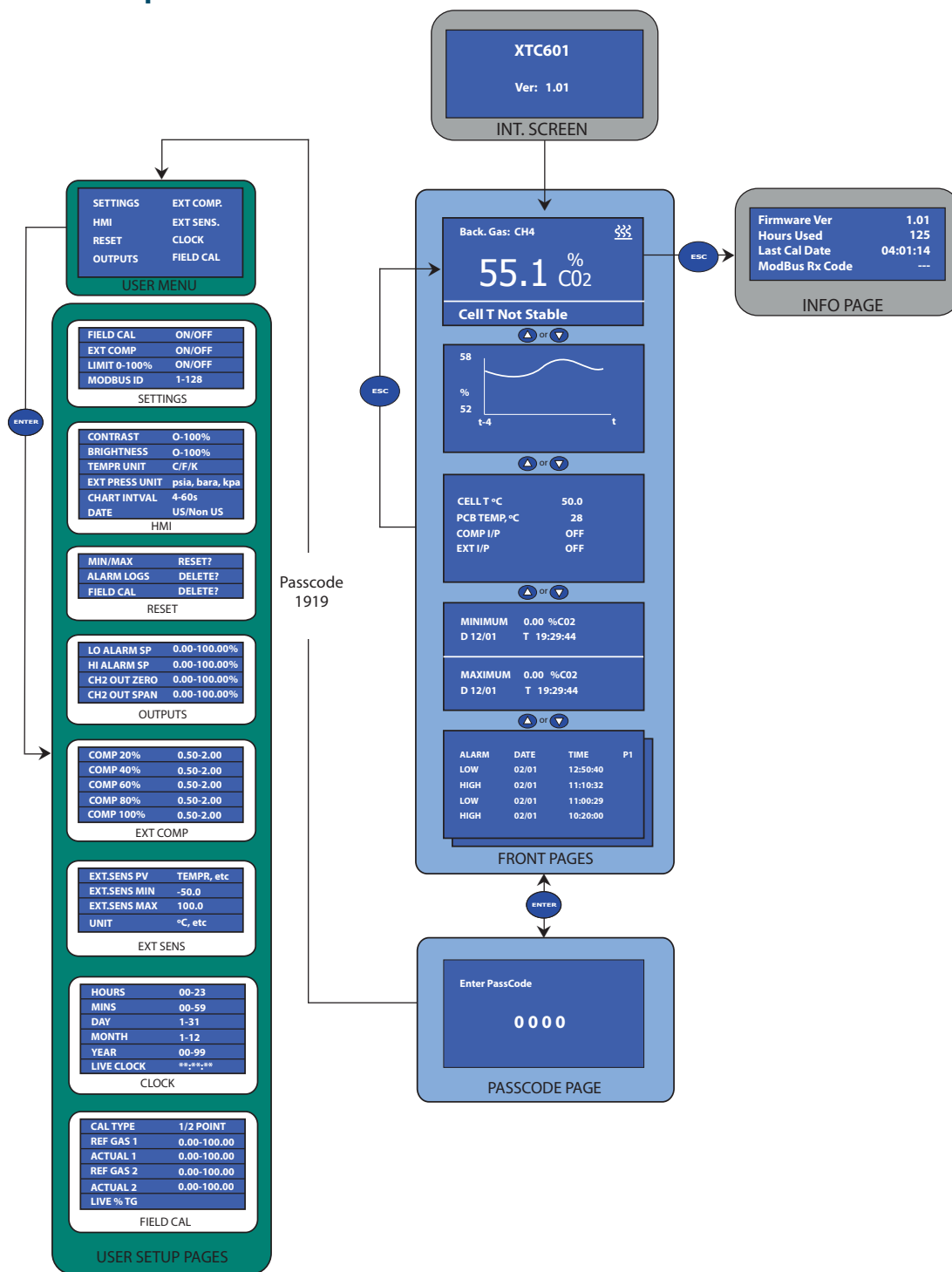


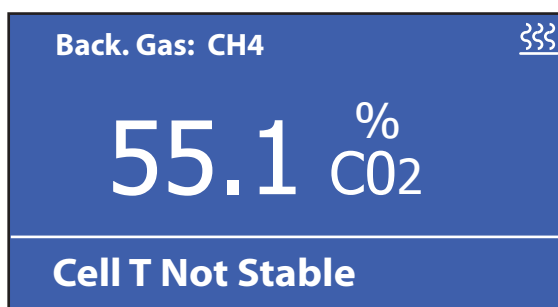
Figure 9 Menu Map

2.5 Front Pages (No Passcode Required)

The EX1 and GP1 versions of the XTC601 have 5 front pages that the user can display without the need for a passcode. **NOTE: These are for display of information only and there is no way of adjusting any settings on these pages.**

From the Main Page (Target Gas concentration) the rest of the front pages can be accessed using the **Down (▼)** button. To return to the Main Page, either press the **Up (▲)** button the required amount of times or press the **ESC** button.

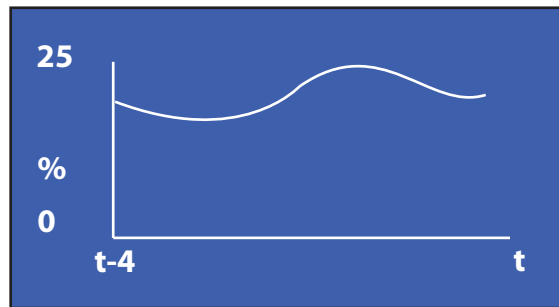
## 2.5.1 Main Page



Main Page	Description
Background Gas	Displays the background gas the unit was calibrated in
Target Gas	Target Gas reading in % Display Resolution = 0.1
Heating Symbol	This flashes until cell temperature is stable at set point $\pm 0.15^{\circ}\text{C}$ for minimum of 15 minutes
Status Bar	Flashes any system warnings and error messages (see below)

Status Message Table	
Message (Trigger Condition)	Status LED
Out of range (beyond calibration range, e.g. 0-25%)	N/A
Low alarm ON	ORANGE1 ON (app s/w only)
High alarm ON	ORANGE2 ON (app s/w only)
Comp i/p signal error (input < 3.6 mA or > 21 mA)	RED FLASH (priority2)
Ext sens signal error (input < 3.6 mA or > 21 mA)	RED FLASH (priority2)
Cell T not stable (not within $\pm 0.15^{\circ}\text{C}$ of set point for continuous period of 15 minutes)	RED ON (priority1)
Cell T sensor error (cell temp measures < -50 or > +80 $^{\circ}\text{C}$ )	RED ON (priority1)
Sensor error (Vcomp < 3400 or > 7000)	RED ON (priority1)
PCB temp too high (PCB temp > cell temp set point)	RED ON (priority1)

## 2.5.2 Chart Page



- This indicative chart is continuously running at the set Chart Interval (2 to 60 seconds).
- It is auto ranging with an auto range resolution of 1%.
- It is reset if the Chart Interval is changed or the instrument power is cycled.
- Chart buffer size is 60 values and therefore the chart duration changes according to interval chosen.
- Chart duration in seconds = (Chart interval \* 60).
- Chart data is only stored in volatile memory and therefore is not saved. Chart interval is saved and available in a Modbus register.
- Chart data is not available via serial comms or in the blind unit as the Application Software is able to perform more sophisticated charting functions.

**NOTE: This data is not available via the Modbus**

2.5.3 Secondary Parameters Page

CELL T, °C	50.0
PCB TEMP, °C	28
COMP I/P	OFF
EXT I/P	OFF

Parameter	Description
CELL T	Sensor cell temperature display in set unit (°C, °F or Kelvin) Display Resolution = 0.1
PCB TEMP	Temperature display of Microcontroller in selected temperature unit This gives an indication of the internal GUB temperature Display Resolution = 1 unit Accuracy = ±2°C
COMP I/P	The value of compensation input (mA i/p channel 1) as a % (4 mA=0% and 20 mA=100%) <b>OFF</b> displayed instead of value if external compensation is turned off
EXT I/P	Value of the external input in the selected parameter and unit (DEWP, TEMPR, PRESS, OTHER or NONE) <b>OFF</b> displayed instead of value if external compensation parameter is set to <b>NONE</b>

2.5.4 Target Gas Min/Max Page

<b>MINIMUM</b>	<b>0.00</b>	<b>%CO2</b>
<b>D12/01</b>	<b>T</b>	<b>19:29:44</b>
<b>MAXIMUM</b>	<b>0.00</b>	<b>%CO2</b>
<b>D12/01</b>	<b>T</b>	<b>19:29:44</b>

This indicates the minimum and maximum Target Gas values measured, along with date/time of occurrence. The value is reset manually via the Reset Page in the User Menu. This data is not saved in NV memory and is not available via serial communications or in the blind unit.

2.5.5 Alarms Log Pages

ALARM	DATE	TIME	P1
LOW	02/01	12:50:40	
HIGH	02/01	11:10:32	
LOW	02/01	11:00:29	
HIGH	02/01	10:20:00	

A maximum of 40 High/Low alarms, along with date and time of occurrence, are recorded in a ring buffer in NV memory. The most recent alarm will overwrite the oldest alarm when more than 40 alarms are recorded. The data is displayed over a maximum of 10 pages (with 4 alarms on each page). The latest alarm record is displayed in line 1 of page 1. This data is not available via serial communications or in the blind unit. The data is reset manually via the Reset Page in the User Menu. The data is saved and restored when the instrument is restarted.

2.6 Info Page

Firmware Ver	1.01
Hours Used	125
Last Cal Date	04:01:14 M
ModBus Rx Code	---

From the Main Page it is possible to get to the Info Page by pressing the **ESC** button.

Parameter	Description
Firmware Ver	Indicates the firmware version installed in the instrument
Hours used	Indicates the number of hours that the instrument has been powered up
Last Cal Date	The date of the last field or Michell Calibration Character indicates <b>F</b> for Field and <b>M</b> for Michell
ModBus Rx Code	The received Modbus function code is flashed here as soon as a function code is received – this is useful to check the Modbus communications to ensure that good data is coming through. If no code is received then '---' is displayed



## 2.7 User Set-Up Variables (Passcode Required)

In order to change any settings on the User Menu pages, the user must enter a passcode. There is also a separate passcode for service engineers to allow factory setting changes.

To access the User Menu press the **ENTER** button from the Main Page to call up a passcode prompt. Use the **Up** (▲) and **Down** (▼) buttons and press **ENTER** after each value.

**The User Passcode is: 1919**

<b>SETTINGS</b>	<b>EXT COMP.</b>
<b>HMI</b>	<b>EXT SENS.</b>
<b>RESET</b>	<b>CLOCK</b>
<b>OUTPUTS</b>	<b>FIELD CAL</b>

Use the **Up** (▲) and **Down** (▼) buttons to select the sub-menu required. Then press the **ENTER** button. This will give access to one of the following pages.

### 2.7.1 Settings Page

<b>FIELD CAL</b>	<b>ON/OFF</b>
<b>EXT COMP</b>	<b>ON/OFF</b>
<b>LIMIT 0-100%</b>	<b>ON/OFF</b>
<b>MODBUS ID</b>	<b>1/128</b>

The analyzer is microprocessor-based and, as such, has settings and features accessible to the user.

Select the parameter required. The options will be highlighted and can be toggled between by pressing the **ENTER** button. These are all **ON/OFF** except for Modbus ID which, if only one analyzer is connected to your system, should be set to '1'.

<b>Parameter</b>	<b>Description/Operation</b>	<b>Options</b>
<b>FIELD CAL</b>	Turns use of field calibration on or off It is automatically turned off when Michell or field calibration is being performed	<b>ON/OFF</b>
<b>EXT COMP</b>	Turn externals sensor compensation on or off It is automatically turned off when Michell or field calibration is being performed	<b>ON/OFF</b>
<b>LIMIT 0-100%</b>	Limits the % Target Gas so that any drift below 0.00 and above 100.00 (for suppressed zero) is not visible mA outputs also limited accordingly	<b>ON/OFF</b>
<b>Modbus ID</b>	Unit's network address for Modbus communications	<b>1-128</b>

### 2.7.2 Human Machine Interface (HMI) Page

<b>CONTRAST</b>	<b>0-100%</b>
<b>BRIGHTNESS</b>	<b>0-100%</b>
<b>TEMPR UNIT</b>	<b>C/F/K</b>
<b>EXT PRESS UNIT</b>	<b>psia, bara, kpa</b>
<b>CHART INTVAL</b>	<b>2-60s</b>
<b>DATE</b>	<b>US/Non US</b>

It is possible to change parameters within the HMI, as shown below:

<b>Parameter</b>	<b>Description/Operation</b>	<b>Options</b>
<b>CONTRAST</b>	LCD contrast setting	<b>0-100%</b> in 10% steps
<b>BRIGHTNESS</b>	LCD backlit setting	<b>0-100%</b> in 10% steps
<b>TEMPR UNIT</b>	Global temperature unit selection	<b>°C, °F, K</b>
<b>EXT PRESS UNIT</b>	Pressure unit selection (for external sensor only)	<b>psia, bara, kPa</b>
<b>CHART INTVAL</b>	Chart interval	<b>2-60 s</b> in 2 sec steps
<b>DATE</b>	Date on the LCD can be either US or Non US format	<b>US / Non US</b>

### 2.7.3 Reset Page

<b>MIN/MAX</b>	<b>RESET?</b>
<b>ALARM LOGS</b>	<b>DELETE?</b>
<b>FIELD CAL</b>	<b>DELETE?</b>

Min/Max and Alarm Logs can be cleared from this menu. See Sections 2.5.4 and 2.5.5 respectively for more information.

This menu can also be used to restore the original calibration settings. For more information see Section 3.3.

To reset/delete highlight the item use the **Down (▼)** button. Press **ENTER** to select the option, then press the **Up (▲)** button 3 times to confirm the change. Press **ENTER** to deselect the option.

### 2.7.4 Outputs Page

<b>LO ALARM SP</b>	<b>0.00-100.00%</b>
<b>HI ALARM SP</b>	<b>0.00-100.00%</b>
<b>CH2 OUT ZERO</b>	<b>0.00-100.00%</b>
<b>CH2 OUT SPAN</b>	<b>0.00-100.00%</b>

The analyzer has two 4-20 mA outputs and 2 concentration alarm relays. The primary 4-20 mA is fixed to the calibrated range of the unit, the second is freely selectable within this range. The alarm relays are Single Pole Change-Over (SPCO) and are also freely assignable within the calibrated range. The alarm relays are rated to 250 V, 5 A maximum.

<b>Parameter</b>	<b>Description/Operation</b>	<b>Options</b>
<b>LO ALARM SP</b>	% set point for lo alarm relay	Range Min to Range Max
<b>HI ALARM SP</b>	% set point for hi alarm relay	Range Min to Range Max
<b>CH2 OUT ZERO</b>	% point for 4 mA	Range Min to Range Max
<b>CH2 OUT SPAN</b>	% point for 20 mA	Range Min to Range Max

### 2.7.5 External Compensation Page

<b>COMP 20%</b>	<b>0.50-2.00</b>
<b>COMP 40%</b>	<b>0.50-2.00</b>
<b>COMP 60%</b>	<b>0.50-2.00</b>
<b>COMP 80%</b>	<b>0.50-2.00</b>
<b>COMP 100%</b>	<b>0.50-2.00</b>

A 4-20 mA sensor may be used to compensate the % Target Gas reading for the effects of process variables such as line pressure, flow, etc. The table of compensation factors may be edited for 5 points along the compensation sensor range. The values would be determined by applying the process variable at each point and noting the effect on the % of Target Gas.

For example: a compensation is needed for line pressure. A 4-20 mA line pressure sensor would be ranged over the compensation range. While the instrument reads a fixed % Target Gas value, a table is created (see example below) while varying the pressure at 20% of range intervals.

At each point the compensation factor can be set between 0.5 and 2.

<b>Pressure</b>	<b>% of Pressure span</b>	<b>TG reading</b>	<b>Effect = (affected value / non affected value)</b>	<b>Compensation factor = 1 / effect</b>
0	0%	20.91	$20.91/20.91=1.00$	1.00
1	20%	21.65	$21.65/20.91=1.04$	0.96
2	40%	23.56	1.13	0.88
3	60%	25.99	1.24	0.81
4	80%	29.66	1.42	0.70
5	100%	38.85	1.86	0.54

The compensation factor values are then entered into the External Compensation table (excluding the 0% point as this will always be assumed to be 1 = no effect).

Below 0% (< 4 mA), the compensation factor is fixed to 1. Above 100% the compensation factor is extrapolated beyond the last factor.

2.7.6 External Sensor Page

<b>EXT.SENS PV</b>	<b>NONE</b>
<b>EXT.SENS MIN</b>	<b>N/A</b>
<b>EXT.SENS MAX</b>	<b>N/A</b>
<b>UNIT = N/A</b>	

This page sets up the type and range of the 4-20 mA external sensor signal that may be connected to the XTC601 for viewing in the Main Page. The range is adjustable between the MIN and MAX values but is not adjustable for **Other** setting (fixed at 0% and 100%).

<b>Parameter</b>	<b>Description/Operation</b>	<b>Options</b>
<b>EXT.SENS PV</b>	The process variable that is being measured by the external sensor The options available are: NONE - No external sensor connected DEWP- Dewpoint TEMPR - Temperature PRESS - Pressure OTHER - User-defined variable	<b>NONE, DEWP, TEMPR, PRESS, OTHER</b>
<b>EXT.SENS MIN</b>	Depends on parameter and unit settings: Dew point: -100°C, -148°F, 173.0 K Temperature: -50°C, -58°F, 223.0 K Pressure: 0.0 psia, 0.0 bara, 0.0 kpa Other: 0% (non adjustable)	minimum to EXT.SENS MAX
<b>EX.SENS MAX</b>	Depends on parameter and unit settings: Dew point: 20°C, 68°F, 293.0 K Temperature: 100°C, 212°F, 373.0 K Pressure: 44.1 psia, 3.0 bara, 304.0 kpa Other: 100% (non adjustable)	EXT.SENS MIN to maximum
<b>UNIT</b>	These are related to the type of sensor selected If <b>Other</b> is selected, then the unit will be a % of the overall range	<b>°C, °F, K, psia, kPa, bara, %</b>

### 2.7.7 Clock Page

<b>HOURS</b>	<b>00-23</b>
<b>MINS</b>	<b>00-59</b>
<b>DAY</b>	<b>1-31</b>
<b>MONTH</b>	<b>1-12</b>
<b>YEAR</b>	<b>00-99</b>
<b>LIVE CLOCK</b>	<b>**:**:**</b>

The real time clock and calendar is used to store date/time information for log data, min/max data and date of calibration. On entering this page all fields are initialized with the current values.

Parameter	Description/Operation	Options
HOURS	Hours	00-23
MINS	Minutes	00-59
DAY	Day	1-31
MONTH	Month	1-12
YEAR	Year	00-99
LIVE CLOCK	Current Time	**:**:**

**NOTE: This can be set via the Application Software and can accept the computer's time as the default time and date.**

### 2.7.8 Field Cal Page

<b>CAL TYPE</b>	<b>1/2 POINT</b>
<b>REF GAS 1</b>	<b>0.00-100.00</b>
<b>ACTUAL 1</b>	<b>0.00-100.00</b>
<b>REF GAS 2</b>	<b>0.00-100.00</b>
<b>ACTUAL 2</b>	<b>0.00-100.00</b>
<b>LIVE % TG</b>	<b>0.00-100.00</b>

Parameter	Description/Operation
CAL TYPE	1 POINT or 2 POINT
REF GAS 1	Cal reference gas for 1 point cal, lower cal reference gas for 2 point cal
ACTUAL 1	Actual measured TG for REF GAS 1 See Section 3.1
REF GAS 2	Upper cal reference gas for 2 point cal Disabled if 1 point cal selected
ACTUAL 2	Actual measured TG for REF GAS 2 See Section 3.2 Disabled if 1 point cal selected
LIVE % TG	Current TG reading

See Section 3 for field calibration procedure.

### 2.7.9 Status LED or Light Guide

The Status LED or Light Guide options have identical functionality and take their input from the same board. Therefore, only one of them can be selected.

For either option the information available is as follows:

#### **Power LED**

- Green LED On - indicates instrument power is on.

#### **Status LED**

- Red LED flashing - indicates when external compensation input or external sensor is out of range (if either is selected to **ON**). Out of range is <3.6 mA or >21 mA (see Status Message Table in Section 2.5.1).
- Red LED On – indicates an internal sensor error or instrument cell temperature not yet stabilized (see Status Message Table in Section 2.5.1) – for LED indication this takes priority over external errors.

These have been designed to follow the NAMUR standard.



### 3 CALIBRATION

#### Factory Calibration:

The unit is factory calibrated at 5 points to maximize the accuracy over the desired range. The calibration generally includes Zero & Span points as well as 3 intermediate points. In the case of suppressed zero ranges the lowest concentration will replace the Zero Point.

#### Field Calibration:

Like all process analyzers, the XTC601 will require periodic calibration. The frequency entirely depends on the location, application and accuracy requirements of the user. The typical calibration period is expected to be between 1 and 3 months. If the calibration period is in excess of 1 month Michell recommends a Zero and Span calibration. The user should establish a calibration frequency to ensure that the reading is within the specifications required for the process.

**NOTE: It is possible to switch off the Field Calibration and revert to the Factory Calibration. This can be useful for diagnostic purposes if the reading is not what is expected. The unit is delivered with a factory calibration and, as such, would not have any field calibration data. As soon as the first field calibration is performed, the field calibration setting is automatically switched on.**

#### Preparation:

Go to Settings Page (see Section 2.7.1) and make a note of ON/OFF options for all settings. Re-set these options after calibration.

Zero and Span gas cylinders with correct regulation and flow control should be in place before installing and powering up the analyzer. Commissioning should include a check with both gases and, if necessary, a field calibration performed.

All analyzers will be calibrated with an inlet pressure of 1 barg (14 psig) with an atmospheric vent and flow rate of 300 ml/min (0.63 scfh). The calibration gas applied to the analyzer should be at the same pressure and flow rate as the process gas being sampled.

- Sample Inlet Pressure: 0 to 3 barg (0 to 43 psig) with atmospheric vent
- Sample Flow Rate: 100 to 600 ml/min (0.2 to 1.27 scfh)

### 3.1 1 Point Calibration

This is a single point offset overlaid on top of the factory calibration. It is designed to correct minor drift and minor changes during transit. This calibration makes the unit very accurate at the calibration point and improves accuracy throughout the range.

The calibration gas should be of a value that is within the main area of interest, i.e. if main points of interest for a 0-25% range instrument are around the 6% area then apply a 6.51% calibration gas.

1. Apply the calibration gas and purge the unit for at least 5 minutes. View the chart until a flat line shows for 1-2 minutes.

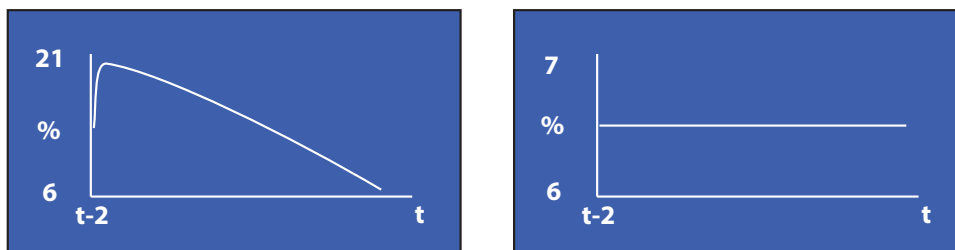


Figure 10 1 Point Calibration Page

2. Press **ENTER** to open the Passcode Page - 1919 Passcode. Navigate to the Field Cal page using the **Up (▲)** button. Press **ENTER** to highlight CAL TYPE and set to 1 POINT. Press **ENTER** to de-select.
3. Press **ENTER** to highlight REF GAS 1 and use the **Up (▲)** and **Down (▼)** buttons to match the value of the concentration of the calibration gas. **NOTE: This value only needs to be set when using a new gas cylinder.** Press **ENTER** to de-select.
4. Ensure the Adjusted value at the bottom of the page has stabilized **NOTE: There will be a ~ symbol next to 'Adjusted' while the reading is stabilizing. When the ~ symbol disappears the reading will be stable and the next change can be made.**
5. Press **ENTER** to highlight ACTUAL 1 value and press the **Up (▲)** button 3 times. Ensure that the ACTUAL 1 value is now equal to the Adjusted value ( $\pm 0.01\%$ ). Press **ENTER** to de-select. Press **ESC** to return to the Main Menu.
6. The Adjusted reading will now be the same as that displayed on the Main Page and be equal to the calibration gas.
7. The calibration process is complete. Return to sampling the process gas.

**NOTE: On entering the field calibration page (whether or not a change has been made), the Pressure Compensation is switched off. After calibration go to the Settings Page (see Section 2.7.1) and re-set any feature that may have been turned off during the calibration process.**

### 3.2 2 Point Calibration

This is a 2 point adjustment that is overlaid on top of the factory calibration. It is designed to correct minor drift and minor changes during transit. This calibration makes the unit more accurate throughout the range than the single point calibration.

1. Apply the lower calibration gas and purge the unit for at least 5 minutes. View the chart until a flat line shows for 1-2 minutes.

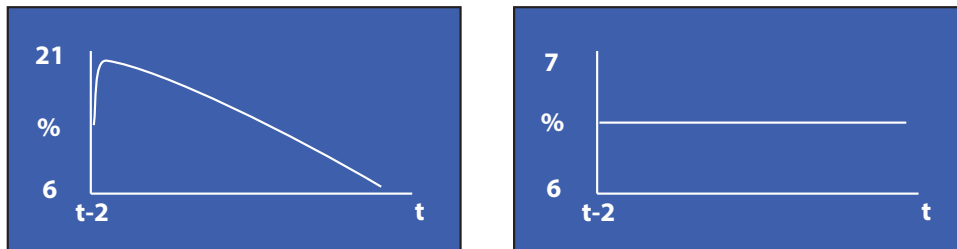


Figure 11 2 Point Calibration Page

2. Press **ENTER** to highlight CAL TYPE and set to 2 POINTS. Press **ENTER** to de-select.
3. Press **ENTER** to highlight REF GAS 1 and use the **Up** (**▲**) and **Down** (**▼**) buttons to match the value of the concentration of the lower calibration gas. **NOTE: This value only needs to be set when using a new gas cylinder.** Press **ENTER** to de-select.
4. Ensure the Adjusted value at the bottom of the page has stabilized **NOTE: There will be a ~ symbol next to 'Adjusted' while the reading is stabilizing. When the ~ symbol disappears the reading will be stable and the next change can be made.**
5. Press **ENTER** to highlight ACTUAL 1 value and press the **Up** (**▲**) button 3 times. Ensure that the ACTUAL 1 value is now equal to the Adjusted value ( $\pm 0.01\%$ ). Press **ENTER** to de-select.
6. Apply the upper calibration gas and purge the unit for at least 5 minutes. View the chart until a flat line shows for 1-2 minutes (see above).
7. Press **ENTER** to highlight REF GAS 2 and use the **Up** (**▲**) and **Down** (**▼**) buttons to match the value of the concentration of the upper calibration gas. **NOTE: This value only needs to be set when using a new gas cylinder.** Press **ENTER** to de-select.
8. Ensure that the Adjusted value at the bottom of the page has stabilized.
9. Press **ENTER** to highlight ACTUAL 2 value and press the **Up** (**▲**) button 3 times. Ensure that the ACTUAL 2 value is now equal to the Adjusted value ( $\pm 0.01\%$ ). Press **ENTER** to de-select. Press **ESC** to return to the Main Menu.

10. The Adjusted reading will now be the same as that displayed on the Main Page and be equal to the upper calibration gas.
11. The calibration process is complete. Return to sampling the process gas.

**NOTE: On entering the field calibration page (whether or not a change has been made), the Pressure Compensation is switched off. After calibration go to the Settings Page (see Section 2.7.1) and re-set any feature that may have been turned off during the calibration process.**

**NOTE: The Live % TG reading will now be the same as that displayed on the Main Page and be equal to the upper calibration gas.**

### 3.3 Field Calibration Reset

If the analyzer is displaying a different value to the expected reading, it is possible to restore the unit to the original calibration settings it left the factory with. The analyzer will still require calibration, but this will be made easier as the reading will be forced back into the correct range.

This feature is accessed by selecting the Reset Page (see below).

MIN/MAX	RESET?
ALARM LOGS	DELETE?
FIELD CAL	DELETE?

Select Field Calibration and press **ENTER** to highlight **DELETE?**, then press the **Up (▲)** button 3 times to confirm the change. Press **ENTER** to deselect the option.

## 4 INSTALLATION

Before installing the analyzer, read through this manual carefully and take note of all warnings.



**Do not open the casing while powered-up in a hazardous area.**

**Special care must be taken when the analyzer is energized.**



**The XTC601-EX versions must only be installed by suitably qualified personnel and in accordance with the instructions provided and the terms of the applicable product certificates.**

**Maintenance and servicing of the product must only be carried out by suitably trained personnel or returned to an approved Michell Instruments' Service Center.**



**Before the cover is refitted, the flamepath/threaded joint between the cover and body must be thoroughly wiped clean of dirt, grit or other foreign substances and then a thin coating of an approved form of non-setting grease applied to joint/threads. Ensure gasket is free from damage.**

**Threaded covers must be screwed down until fully tight (at least 7 full turns) and then locked in position with the hex key provided.**

## 4.1 Unpacking

If sold separately (not part of a sampling system), the XTC601 will be supplied in a custom box which should be retained for future use (such as service return). The box contains a small carton containing 2 lid keys and 1 hex key (for the grub screw). Any cable glands supplied will also be in the smaller carton. The manual will be loose in the main box.

### Contents:

- XTC601 Thermal Conductivity Analyzer
- XTC601 97400 user's manual
- Test result sheet
- Carton (containing: 2 x lid keys and 1 x hex key)
- Cable entry options (if ordered)
- Application software CD

## 4.2 System Components

The XTC601 Thermal Conductivity Analyzer benefits from a modular construction, with the major parts of the analyzer shown below:

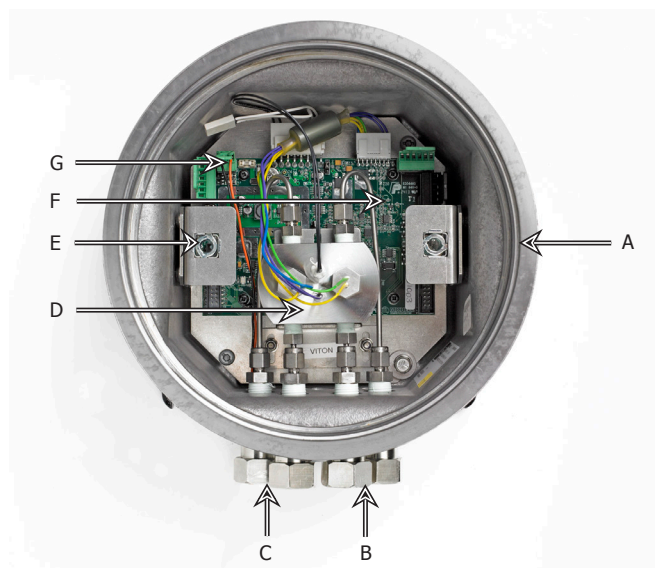


Figure 12 XTC601 Showing Major Components

- A Instrument case
- B Flowing reference gas inlet and outlet (if fitted)
- C Sample gas inlet and outlet
- D Measuring cell
- E Quick release mechanism for display PCB
- F Motherboard
- G Power supply (24 V DC) connector (PL9)

4.2.1 Casing

- General Purpose (GP) IP66 weather-proof
  - Explosion Proof (EX) for installations in hazardous areas, certified to:
    - ⊕ II 2 G Ex d IIB+H2 T3 Gb
    - ⊕ II 2 D Ex tb IIIC T137°C Db IP66 T amb -40°C to +55°C
- cCSAus - Class I, Division 1, Groups B, C, D  
 TC TR Ex-Cert - 1Exd IIB+H2 T3 Gb

4.3 Set-Up

- The XTC601 is designed to be panel or wall mounted. There are 2 bolt holes and 2 lugs (1 per corner) see *Figure 11*. Dimensional drawings can be found in Appendix B. Mount the analyzer before attempting to remove the lid.



**WARNING: This unit is 24 V DC powered only!**

- The EXd thread is greased and therefore it may be advisable to wear latex gloves.
- Ensure that the grub screw is loose, using the hex key (supplied), to prevent scoring on the casing.
- Connect the earthing strap to the earth point on the right hand side of the case.
- Remove the lid, using the lid keys (supplied). The lid will require a firm grip to loosen.

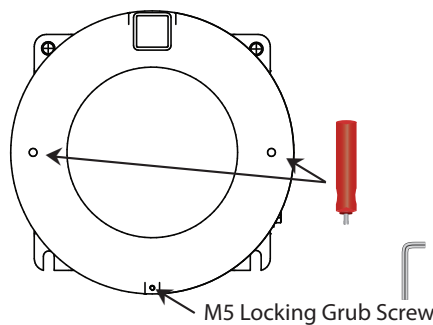


Figure 13 XTC601 Lid Removal

- If fitted, remove the display / status pcb via the two ¼ turn quick-connect fittings.
- Disconnect the ribbon / interconnecting cable from the loose pcb.



**WARNING:** Prior to connecting power, ensure the unit is correctly earthed via the earth point on the right hand side of the case.

- Connect to the power and outputs (see Section 4.5).
- After making all necessary connections, reconnect the display / status pcb via the ribbon/interconnecting cable & quick-connect fittings and replace and screw down the lid until fully tight (at least 7 full turns).
- Use the hex key (supplied) to tighten the grub screw. **NOTE: This is necessary in order to adhere to the hazardous area certification requirements.**
- For operating instructions refer to Section 2.

#### 4.4 Mechanical Installation



**WARNING:** Unused cable entries must be appropriately blanked to maintain the integrity of the Exd casing.

There are 3 cable entries on the bottom surface, towards the rear, that can be utilized by the customer in a variety of manners. The following standard options are available: Cable Gland, Conduit Entry, Blanking Plug or Light Guide.

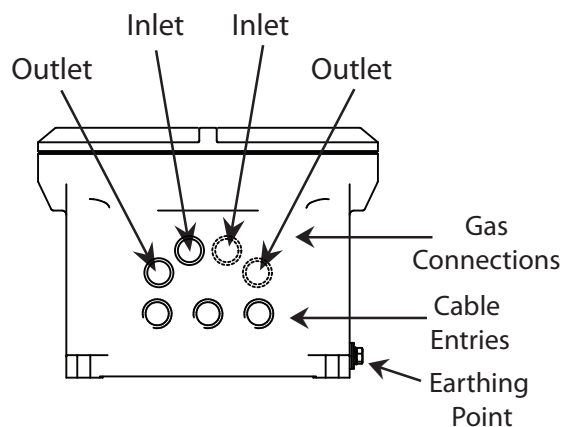


Figure 14 *XTC601 Gas Connections and Cable Entries*



#### 4.4.1 Gas Connection Tape

The gas connections are on the bottom surface towards the front of the unit. The standard fittings are ¼" NPT to ¼" tube. Optional ¼" NPT to 6mm tube adaptors are available.



**For Safe Area applications where the oxygen concentration is classed as enriched (>21% O<sub>2</sub>) any PTFE tape used must be unsintered. This is to prevent an explosion due to conventional PTFE tape acting as a potential fuel source.**

Unsintered PTFE tape is available as an accessory from Michell Instruments (PTFE-TAPE-02).

#### 4.4.2 Sample Gas Requirements

Samples must have a dew point at least 10°C less than the cell temperature (so as not to condense), be free from oil-mist and with particle size < 3µm. **NOTE: There is NO filtration inside the analyzer.**

- Sample Inlet Pressure: 0 to 3 barg (0 to 43 psig) with atmospheric vent
- Sample Flow Rate: 100 to 600 ml/min (0.2 to 1.27 scfh)

#### 4.4.3 Calibration Gases

Cylinders of the appropriate Zero and Span gases should be available for installation and commissioning. Dependent on the specific duty of the analyzer, these gases may have a lead time of several weeks.

See Section 3 for more information. Contact your local Michell representative for information on finding a local gas supplier.

## 4.5 Electrical Installation

### 4.5.1 Power Supply and Input/Output Signal

The XTC601 requires 24 V DC power input at a maximum start-up current of 1.5 A.

All versions will use a braid screened multi-core cable. Ideally, one cable for signals (PL4, PL5) and another cable for power (PL9) / relay contacts (PL1). Braid of cables must be well terminated at the cable glands. Wire sizes should be between 28 to 16 AWG.

The terminal blocks for the power supply, input signal and output signal are located underneath the lower PCB. **NOTE: The terminal blocks are color co-ordinated to match the connectors - make sure this color coding is adhered to.**

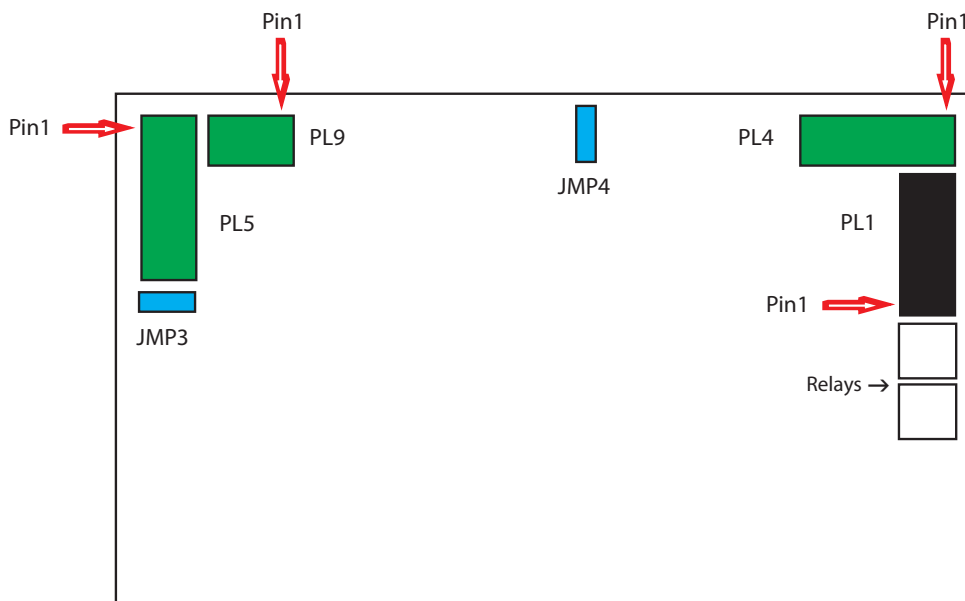


Figure 15 Terminal Block Locations

### 4.5.2 Power Supply (PL9 - Green)

PIN 3	PIN 2	PIN 1
0 V	N/C	24 V ±4 V

### 4.5.3 Analog Output

Two 4-20mA analog outputs are available. Both are for Thermal Conductivity concentration. One is fixed on the calibrated range of the unit and the second can be configured in the menu. **NOTE: When the instrument is warming up (cell temperature not stabilized) these outputs are set to 3.5 mA to indicate that the instrument is not ready.**

- The maximum mA output is approximately 25 mA
- The minimum mA output is approximately 0 mA

#### 4.5.4 Serial Output

The analyzer has Modbus RTU communications over RS485 protocol; please see Application Software CD for more details.

- Type: Modbus RTU over RS485
- RS485: 2 wire (plus ground), half duplex
- Baud Rate: 9600
- Parity: None
- Data bits: 8
- Stop bits: 1

#### 4.5.5 Analog (4-20 mA) Outputs and Communications (PL5 - Green)

PIN 7	PIN 6	PIN 5	PIN 4	PIN 3	PIN 2	PIN 1
RS485 GND	RS485 B	RS485 A	Ch2 O/P -	Ch2 O/P +	Ch1 O/P -	Ch1 O/P +

**NOTE 1: Channel 1 is fixed range output over instrument range and Channel 2 is adjustable within instrument range.**

**NOTE 2: For long cable lengths, a termination resistor of 120Ω is provided to aid in impedance matching of the communications cable. This is selectable via JMP3. A terminating resistor is simply a resistor placed at the extreme end or ends of a cable on an RS485 network to reduce effects of impedance mismatch. Impedance mismatch can cause reflections of data as it passes down the cable and the reflections could be large enough to cause data errors.**

#### 4.5.6 Alarm Relay Contacts (PL1- Black)

PIN 6	PIN 5	PIN 4	PIN 3	PIN 2	PIN 1
Hi Alarm C	Hi Alarm NO	Hi Alarm NC	Low Alarm C	Low Alarm NO	Low Alarm NC

- Type: SPCO (NO, NC and C)
- Contact Rating, Max: 5 A, 250 V
- Hysteresis is 0.03%
- AL1 and AL2 can be configured as OFF, LOW or HIGH
- A low alarm switches on when % O<sub>2</sub> is below the set point and switches off when % O<sub>2</sub> is above the set point + Hysteresis
- A high alarm switches on when % O<sub>2</sub> is above the set point and switches off when % O<sub>2</sub> is below the set point - Hysteresis
- When the instrument is warming up (cell temperature not stabilized) both relays are OFF

#### 4.5.7 Analog (4-20 mA) Inputs and Sensor Excitation Voltage (PL4 - Green)

PIN 6	PIN 5	PIN 4	PIN 3	PIN 2	PIN 1
Ch2 I/P -	CH2 I/P +	Ch2 Exc.V	Ch1 I/P -	Ch1 I/P +	Ch1 Exc.V

The XTC601 features 2 input channels for 4-20 mA signal from external instruments such as pressure transmitters or other devices to compensate for pressure or background gas influence.

The input configured as **EXT SENS** (External Sensor) can be viewed on the Secondary Parameters Page under the heading **EXT I/P** (External Input).

**NOTE 1: Channel 1 is External Compensation input and Channel 2 is External Sensor input.**

**NOTE 2: Excitation voltage = Same as power supply  $\pm 1$  V if JMP4 connected across top 2 pins and  $15 \pm 0.5$  V (max 100 mA per channel) if JMP4 connected across bottom 2 pins.**

#### 4.5.8 Light Guide

The optional light guide can be fitted to the left hand cable entry. If this is required for the Hazardous Area version of the analyzer this must be specified at time of purchase order. Only one light guide can be fitted to each analyzer.



**If fitted in a Hazardous Area version of the XTC601-EX the light guide MUST NOT be removed by the user. As part of the certification it is individually pressure tested at the factory.**

**Removal and re-fitting will invalidate the certification.**

# Appendix A

## Technical Specifications

## Appendix A Technical Specifications

<b>Performance</b>	
Measurement Technology	Thermal Conductivity sensor
Measured Gases	CO <sub>2</sub> , CH <sub>4</sub> , Ar, He, N <sub>2</sub> , H <sub>2</sub> or Air
Gas Requirements	Non-condensing sample with particles <3µm
Measurement Range	Selectable from 0-5 up to 0-100%
Display Resolution	0.1%
Display Type	Backlit LCD
Intrinsic Error (Accuracy)	< ±2% of span *
Response Time (T90)	Standard < 20 seconds *
Repeatability	±0.2% of span
Linearity	±1% span
Zero Stability	±0.5% of span per month
Span Stability	±0.5% of span per month
Sample Flow Rate	100 to 600 ml/min (0.2 to 1.27 scfh) with atmospheric vent
Sample Flow Effect (cal at 300 ml/min (0.64 scfh))	< 1% of span for flows: 100 to 600 ml/min (0.2 to 1.27 scfh)
Sample Pressure	0 to 3 barg (0 to 43 psig)
Sample Temperature	0 to 45°C (+32 to +113°F) max
Sample Cell Temperature	Standard +50°C (+122°F)
<b>Electrical Specifications</b>	
Analog Inputs	2 off 4-20 mA inputs One for an external sensor that can be displayed on the screen One to act as an active compensation for the process conditions
Analog Outputs	2 off 4-20 mA outputs (isolated)
Output Ranges	Primary range is set to the calibrated range of the instrument The second is user selectable within the primary range
Alarms	2 off single pole changeover (SPCO) relays for concentration (250 V, 5 A max)
Datalogging	The user can use the digital communications to log the output from the analyzer The unit will store 40 alarm points and the min/max concentrations with date and time stamp
Digital Communications	Modbus RTU over RS485 Protocol
Power Supply	24 V DC; 1.5 A max
<b>Operating Conditions</b>	
Ambient Temperature	-20 to +55°C (+4 to +131°F) (dependent on configuration)

<b>Mechanical Specification</b>	
Warm Up Time	< 25 minutes
Stabilization Time	5 minutes
Dimensions	234 x 234 x 172mm (9.2 x 9.2 x 6.7") (w x d x h)
Weight	9.7kg (21.4lbs)
Wetted Materials	316 stainless steel, borosilicate glass, platinum, (plus O-ring)
O-Ring Materials	Viton, Silicone or Ekraz
Gas Connection	1/4" NPT to 1/4" tube (standard) 1/4" NPT to 6mm tube (optional)
Ingress Protection	IP66, NEMA 4
<b>Hazardous Area Classification</b>	
Certification Codes	<b>ATEX</b> II 2GD Ex d IIB+H2 T3 Gb Ex tb IIIC T137°C Db IP66 <b>IECEX</b> Ex d IIB+H2 T3 Gb Ex tb IIIC T137°C Db IP66 <b>ITC TR Ex</b> 1Ex d IIB+H2 T3 Gb <b>cCSAus</b> Class I, Division 1, Groups B C D,
Temperature Ranges for ATEX and IECEX as per O-ring type	Silicon: Ta = -40°C to +55°C Viton: Ta = -15°C to +55°C Ekraz: Ta = -10°C to +55°C

\* The standard intrinsic error and response time will be as above. Certain gas combinations and/or ranges may have different specifications. Please consult Michell Instruments for specific cases. For example, CO<sub>2</sub> / N<sub>2</sub> would be < 50 seconds for T90.

**NOTE: If the 4 port version is selected then a reference gas with a flow rate of 300ml/min is required.**

# Appendix B

## Dimensional Drawings



Appendix B Dimensional Drawings

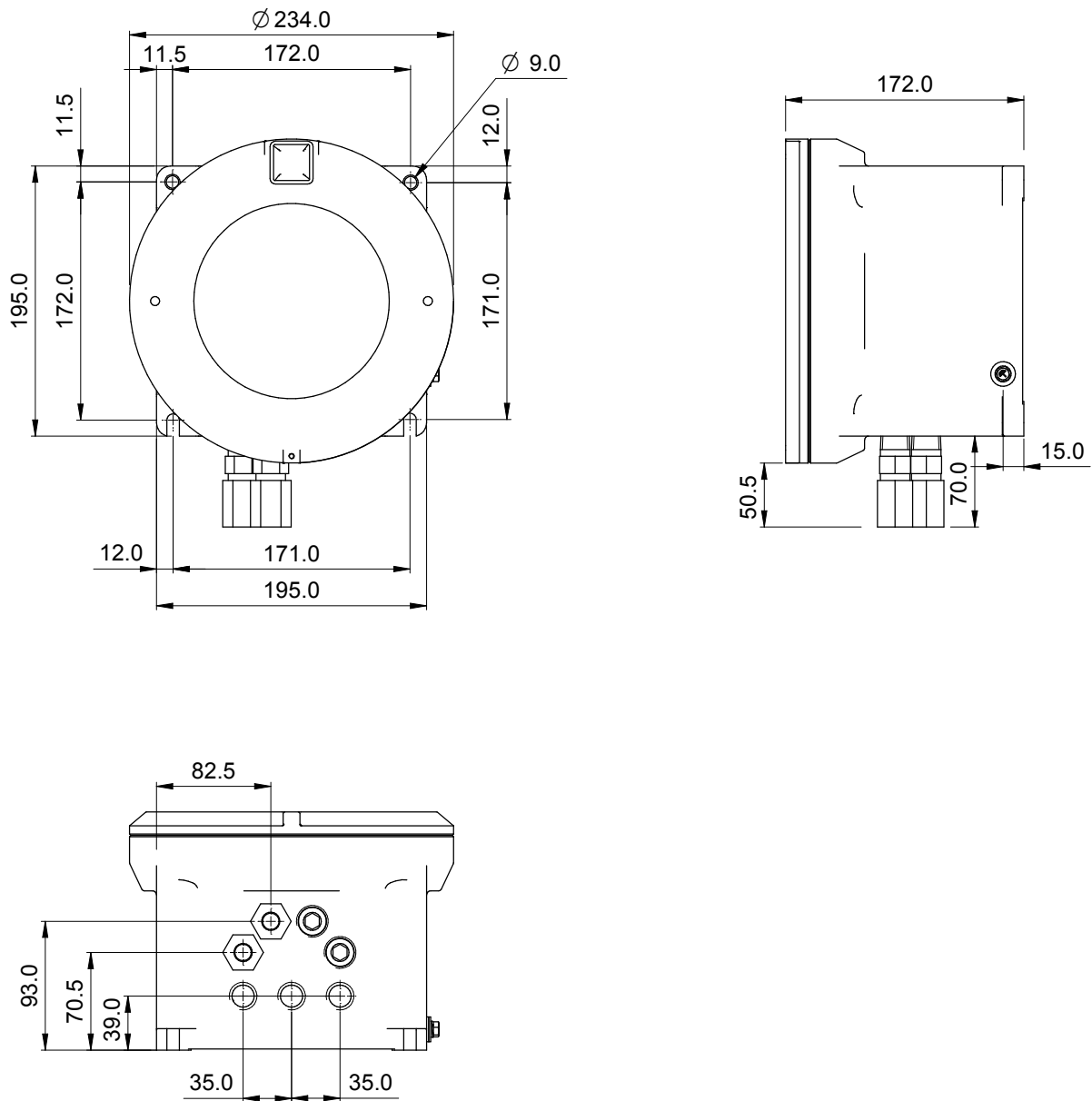


Figure 16 2 Port Dimensional Drawings

**NOTE: Fixing mounts are NOT symmetrical.  
This is to ensure correct orientation.**

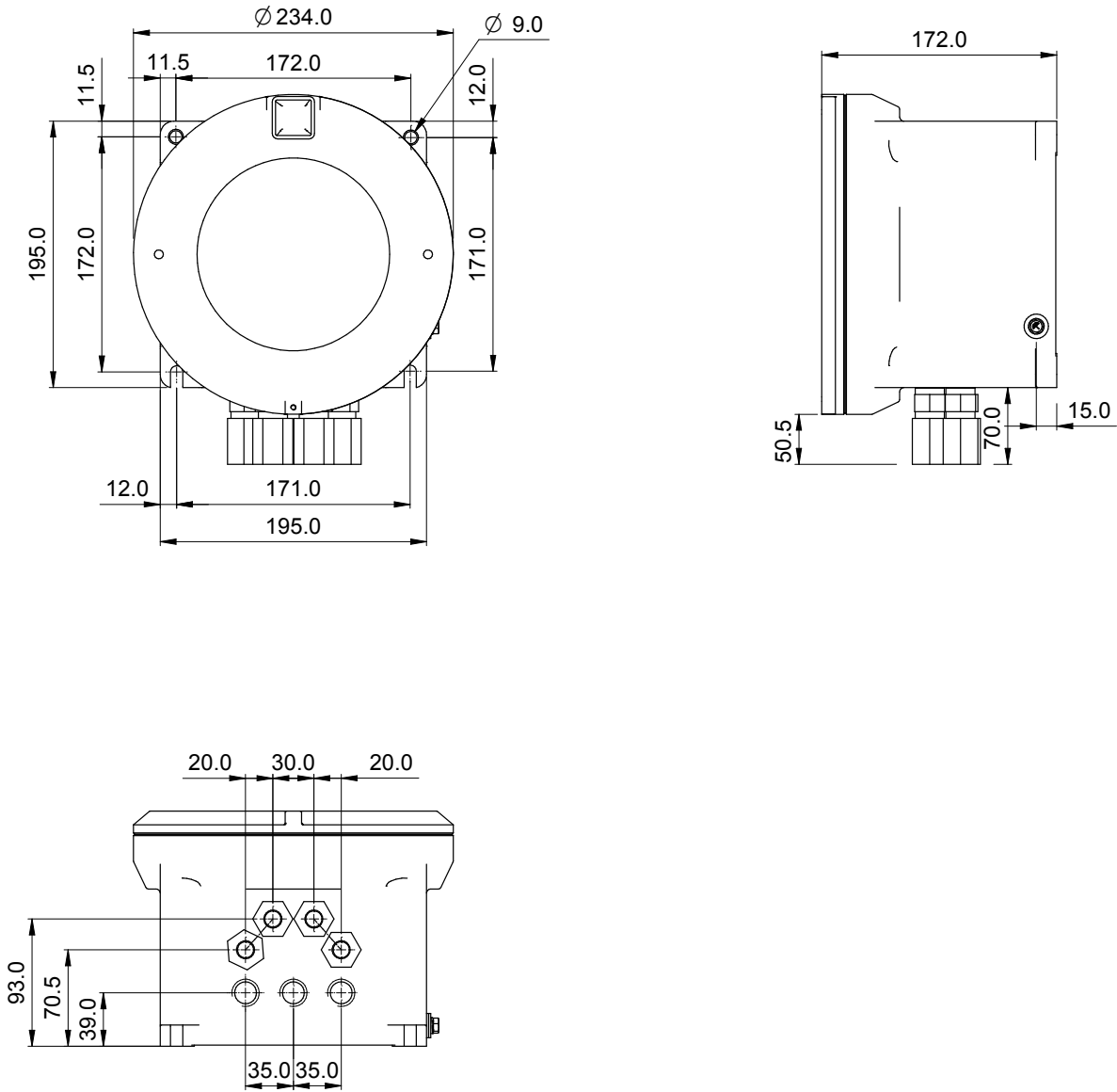


Figure 17 4 Port Dimensional Drawings

**NOTE: Fixing mounts are NOT symmetrical.  
This is to ensure correct orientation.**

# Appendix C

## Relative Thermal Conductivity Table

## Appendix C Relative Thermal Conductivity Table

Gas	Temperature=0°C (32°F)	Temperature=100°C (212°F)
<b>Commonly Used</b>		
Helium, He	5.970	5.530
Hydrogen, H <sub>2</sub>	6.968	6.803
Water Vapor, H <sub>2</sub> O	0.755	0.771
Air, N <sub>2</sub> /O <sub>2</sub>	1.000	1.000
Nitrogen, N <sub>2</sub>	1.000	0.989
Oxygen, O <sub>2</sub>	1.018	1.028
Argon, Ar	0.677	0.665
Carbon Dioxide, CO <sub>2</sub>	0.603	0.704
Methane, CH <sub>4</sub>	1.250	1.450
<b>Other Options</b>		
1,3 Butadiene, C <sub>4</sub> H <sub>6</sub>	0.441	0.642
Acetone, C <sub>3</sub> H <sub>6</sub> O	0.406	0.557
Acetylene, C <sub>2</sub> H <sub>2</sub>	0.770	0.900
Ammonia, NH <sub>3</sub>	0.897	1.040
Carbon Monoxide, CO	0.962	0.958
Chlorine, Cl <sub>2</sub>	0.323	0.340
Cyclohexane, C <sub>6</sub> H <sub>12</sub>	0.375	0.576
Ethane, C <sub>2</sub> H <sub>6</sub>	0.750	0.970
Ethyl Alcohol, C <sub>2</sub> H <sub>5</sub> OH	0.590	0.685
Ethyl Chloride, C <sub>2</sub> H <sub>5</sub> Cl	0.391	0.540
Ethylene Oxide, C <sub>2</sub> H <sub>4</sub> O	0.469	0.620
Ethylene, C <sub>2</sub> H <sub>4</sub>	0.720	0.980
Freon-11, CCl <sub>3</sub> F	0.286	0.368
Freon-113, C <sub>2</sub> Cl <sub>3</sub> F <sub>3</sub>	0.277	0.369
Freon-12, CCl <sub>2</sub> F <sub>2</sub>	0.344	0.442
Freon-22, CHClF <sub>2</sub>	0.388	0.474
Hydrogen Chloride, HCl	0.520	0.517
Hydrogen Sulfide, H <sub>2</sub> S	0.538	0.562
Isobutane, C <sub>4</sub> H <sub>10</sub>	0.569	0.776
Isopentane, C <sub>5</sub> H <sub>12</sub>	0.515	0.702
Isopropyl Alcohol, C <sub>3</sub> H <sub>7</sub> OH	0.492	0.644
Methyl Chloride, CH <sub>3</sub> Cl	0.377	0.530
n-Butane, C <sub>4</sub> H <sub>10</sub>	0.552	0.744
Neon, Ne	1.900	1.840
n-Heptane, C <sub>7</sub> H <sub>16</sub>	0.399	0.582
n-Hexane, C <sub>6</sub> H <sub>14</sub>	0.508	0.662
Nitric Oxide, NO	0.980	0.978
Nitrous Oxide, N <sub>2</sub> O	0.633	0.762
n-Pentane, C <sub>5</sub> H <sub>12</sub>	0.535	0.702
Propane, C <sub>3</sub> H <sub>8</sub>	0.615	0.832
Propylene, C <sub>3</sub> H <sub>6</sub>	0.626	0.879
Sulfur Dioxide, SO <sub>2</sub>	0.350	0.381
Vinyl Chloride, C <sub>2</sub> H <sub>3</sub> Cl	0.443	0.551

# Appendix D

## Modbus Register Map

## Appendix D Modbus Register Map

Compatible with XTP601 Firmware Version: V1:03

Addr	Function	Access	Ranges/Resolution	Type
0	Modbus Instrument Address (ID)	R/W	1-127	A
1	Settings Register	R/W	0-65535	B
2	Display Contrast / Brightness	R/W	0-100% / 0-100%, 10% steps	C
3	Units Register (Tempr, Pressure, Ext Sens, Param, etc)	R/W	See reg details	D
4	Chart Interval	R/W	2-60 sec, in 2 sec intervals	A
5	Spare			
6	Alarm 1 (Lo alarm) Set point	R/W	Instrum range min Instrum range max, 0.01	G
7	Alarm 2 (Hi alarm) Set point	R/W	Instrum range min Instrum range max, 0.01	G
8	Range Zero (Ch1 output zero)	R	0.00 to Range Span	G
9	Range Span (Ch1 output span)	R	Range Zero to 100.00	G
10	CH1 comp coefficient 20%	R/W	0.50-2.00	G
11	CH1 comp coefficient 40%	R/W	0.50-2.00	G
12	CH1 comp coefficient 60%	R/W	0.50-2.00	G
13	CH1 comp coefficient 80%	R/W	0.50-2.00	G
14	CH1 comp coefficient 100%	R/W	0.50-2.00	G
15	N2 VCOMP ADC (for ratio comp)	R	0-8191	A
16	BACKG VCOMP ADC (for ratio comp)	R	0-8191	A
17	BACKG ZERO (for zero offset value)	R	-10.00-10.00 %	G
18	BACKG SPAN (for ratio gas value)	R	0.00-100.00 %	G
19	BACKG CAL VALUE (for ratio gas value)	R	0.00-100.00 %	G
20	CH2 Input (Ext Sensor) zero	R/W	See reg details	F
21	CH2 Input (Ext Sensor) span	R/W	See reg details	F
22	Main gas in application	R/W	0.6	A
23	Cell Tempr Set point	R	40-70 C	A
24	PID Proportional Term	R	1-20000	A
25	PID Integral Term	R	1-500	A
26	PID Derivative Term	R	1-100	A
27	Alarm Configuration	R/W	See reg details	L
28	Spare			
29	Field Cal Reference 1	R/W	Instrum range min to Instrum range max + 20% of range, 0.01	G
30	Field Cal Actual 1	R/W	-199.99-199.99	G
31	Field Cal Reference 2	R/W	Instrum range min to Instrum range max + 20% of range, 0.01	G
32	Spare			
33	Spare			
34	Language	R/W	0-15	A
35	Bridge Pot Wiper Code	R	0-1023	A
36	Gain Pot Wiper Code	R	0-1023	A
37	Field Cal Actual 2	R/W	-199.99-199.99	G
38	Cal Ref1	R	0.00-100.00	G
39	Cal Ref2	R	0.00-100.00	G

Addr	Function	Access	Ranges/Resolution	Type
40	Cal Ref3	R	0.00-100.00	G
41	Cal Ref4	R	0.00-100.00	G
42	Cal Ref5	R	0.00-100.00	G
43	Cal ADC1	R	0-8191	A
44	Cal ADC2	R	0-8191	A
45	Cal ADC3	R	0-8191	A
46	Cal ADC4	R	0-8191	A
47	Cal ADC5	R	0-8191	A
48	mINPUT1 4mA Cal point	R	0-8191	A
49	mINPUT1 20mA Cal point	R	0-8191	A
50	mINPUT2 4mA Cal point	R	0-8191	A
51	mINPUT2 20mA Cal point	R	0-8191	A
52	mAOUTPUT1 4mA Cal point	R	0-8191	A
53	mAOUTPUT1 20mA Cal point	R	0-8191	A
54	mAOUTPUT2 4mA Cal point	R	0-8191	A
55	mAOUTPUT2 20mA Cal point	R	0-8191	A
56	CH2 output zero	R/W	Instrum range min to CH2 output span, 0.01	G
57	CH2 output span	R/W	CH2 output zero to instrum range max, 0.01	G
58	Last Cal Date DATE/MONTH	R	1-31/1-12	J
59	Last Cal Date: Field or Factory (bit 15) / YEAR (bits0-3)	R	0=Factory, 1=Field / 0-99	J
60	PCB Tempr Offset (for MSP430 Int Tempr only) – NOT USED in latest f/w	R	-100/+100 C	K
61	Spare			
62	Spare			
63	Hours Of Operation	R	0-65535	A
64	Restore Factory Settings / Cal data (write 5491 to this reg)	W	5491	A
65	Set Clock HRS	W	00-23	J
66	Set Clock MIN	W	00-59	J
67	Set Clock DAY	W	01-31	J
68	Set Clock MONTH	W	01-12	J
69	Set Clock YEAR	W	00-99	J
70	% Reading of Gas	R	-199.00-199.99%	G
71	Spare			
72	Cell Temperature	R	-99.9-99.9 or equiv in F or K	F
73	PCB temperature (from MSP)	R	-99 to 99 C or equiv in F or K	K
74	Spare			
75	mA1 Input in % (comp signal)	R	0.0-100.0%	F
76	mA2 Input (ext sensor signal)	R	See Reg Details	F
77	Status Flags register	R	0-65535	I
78	Clock HOURS/MIN	R	00-23 / 00-59	J
79	Clock SEC/DAY	R	00-59 / 01-31	J
80	Clock MONTH/YEAR	R	01-12 / 00-99	J
81	% MINIMUM (stats)	R	-199.00-199.99%	G
82	% MAXIMUM (stats)	R	-199.00-199.99%	G

Addr	Function	Access	Ranges/Resolution	Type
83	VCOMP	R	0-8191	A
84	Firmware Version	R	0.00-200.00	G
85	Live ADC	R	0-8191	A
86	Live ADC mA INPUT1	R	0-8191	A
87	Live ADC mA INPUT2	R	0-8191	A
88	Live ADC CellTempr	R	0-8191	A
89	Spare			
90	Live ADC PCB Tempr	R	0-8191	A
91	% without field cal correction	R	-199.00-199.99%	G
92	Spare			
93	Spare			
94	Spare			
95	Spare			
96	Spare			
97	Spare			
98	Spare			
99	Spare			

**Register Type A: Unsigned Integer**

15	14	13	12	11	10	9	8	7	6	5	4	3	2	1	0
r/w	r/w	r/w	r/w	r/w	r/w	r/w	r/w	r/w	r/w	r/w	r/w	r/w	r/w	r/w	r/w

Unsigned integer. Range = 0 to 65535

**Register Type B: Settings**

15	14	13	12	11	10	9	8	7	6	5	4	3	2	1	0
r/w	r/w	r/w	r/w	r/w	r/w	r/w	r/w	r/w	r/w	r/w	r/w	r/w	r/w	r/w	r/w

Bit	HEX	Meaning
0	0001	Field Cal On
1	0002	
2	0004	External Compensation On
3	0008	Background Gas Compensation On
4	0010	
5	0020	Display Limit 0-100% On
6	0040	
7	0080	
8	0100	
9	0200	
10	0400	
11	0800	
12	1000	
13	2000	
14	4000	
15	8000	



**Register Type C: Display Parameters**

15	14	13	12	11	10	9	8	7	6	5	4	3	2	1	0
Display Brightness								Display Contrast							
r/w	r/w	r/w	r/w	r/w	r/w	r/w	r/w	r/w	r/w	r/w	r/w	r/w	r/w	r/w	r/w
0-100 in 10% steps								0-100 in 10% steps							

**Register Type D: Units**

15	14	13	12	11	10	9	8	7	6	5	4	3	2	1	0
r/w	r/w	r/w	r/w	r/w	r/w	r/w	r/w	r/w	r/w	r/w	r/w	r/w	r/w	r/w	r/w

Bits	HEX	Meaning (binary)
0, 1	0003	00=degC, 01=degF, 10=K
2, 3	000C	Ext press unit, 00 = psia, 01=bara, 10=kPa
4	0010	Field cal type, 0=1 gas (offset), 1=2 gas
5	0020	Date format 0=Non US, 1=US
6	0040	SPARE
7,8,9,10	0780	SPARE
11,12,13	3800	Ext Sensor Parameter (000=none, 001=dewp, 010=temp, 011=press, 100=other)
14,15	C000	SPARE

**Register Type F: -2000.0 to +2000.0**

15	14	13	12	11	10	9	8	7	6	5	4	3	2	1	0
r/w	r/w	r/w	r/w	r/w	r/w	r/w	r/w	r/w	r/w	r/w	r/w	r/w	r/w	r/w	r/w

Range = 0 to 40000 represents -2000.0 to +2000.0

Conversion:  $(\text{RegValue} - 20000)/10.0$

**For external sensor values**

Dew point: -100/+20 degC, -148.0/+68.0degC, 173.0/293.0 K

Tempr: -50.0/+100.0 degC, -58.0/+212.0 degF, 223.0/373.0 K

Pressure: 0.0/44.1 psia, 0.0/3.0 barA, 0.0/304.0 kpa

**Register Type G: -200.00 to +200.00**

15	14	13	12	11	10	9	8	7	6	5	4	3	2	1	0
r/w	r/w	r/w	r/w	r/w	r/w	r/w	r/w	r/w	r/w	r/w	r/w	r/w	r/w	r/w	r/w

Range = 0 to 40000 represents -200.00 to +200.00

Conversion:  $(\text{RegValue} - 20000)/100.00$

## Register Type I - Status/Error

15	14	13	12	11	10	9	8	7	6	5	4	3	2	1	0
r	r	r	r	r	r	r	r	r	r	r	r	r	r	r	r

Bit	HEX	Meaning	Namur LED
0	0001	N/A	N/A
1	0002	% out of range (beyond calibration range, e.g. 0-25%)	N/A
2	0004	Low alarm ON	YELLOW 1 ON
3	0008	High alarm ON	YELLOW 2 ON
4	0010	Ext Comp i/p signal error (input < 3.6mA or > 21mA)	RED FLASH (priority2)
5	0020	Ext sens. signal error (input < 3.6mA or > 21mA)	RED FLASH (priority2)
6	0040	Cell T not stable (not within $\pm 0.15$ degC of setpoint for continuous period of 15 minutes)	RED ON (priority1)
7	0080	Cell T sensor error (cell tempr measures <-50 or >80°C)	RED ON (priority1)
8	0100	NA	NA
9	0200	Thermal Conductivity sensor error (Vcomp <=1 or >=8191)	RED ON (priority1)
10	0400	PCB tempr too high (PCB tempr > Cell tempr setpoint)	RED ON (priority1)
11	0800	N/A	N/A
12	1000	N/A	N/A
13	2000	N/A	N/A
14	4000	Instrument is BLIND version (system)	N/A
15	8000	N/A	N/A

**Register Type J**

15	14	13	12	11	10	9	8	7	6	5	4	3	2	1	0
r/w	r/w	r/w	r/w	r/w	r/w	r/w	r/w	r/w	r/w	r/w	r/w	r/w	r/w	r/w	r/w

←———— eg Day —————→ ←———— eg Month —————→

For reading each 8 bits represents a RTC value. For setting only the lower 8 bits are used for each RTC value.

**Register Type K: -32767 to +32767**

15	14	13	12	11	10	9	8	7	6	5	4	3	2	1	0
r/w	r/w	r/w	r/w	r/w	r/w	r/w	r/w	r/w	r/w	r/w	r/w	r/w	r/w	r/w	r/w

Range = 0 to 65535 represents values

Conversion: (RegValue – 32767)

**Register Type L: Alarm Configuration**

15	14	13	12	11	10	9	8	7	6	5	4	3	2	1	0
r/w	r/w	r/w	r/w	r/w	r/w	r/w	r/w	r/w	r/w	r/w	r/w	r/w	r/w	r/w	r/w

Bits	Meaning
1, 0	00 = Alarm1 is Inactive (off) 01 = Alarm1 is a Low Alarm 10 = Alarm1 is a High Alarm
3, 2	00 = Alarm2 is Inactive (off) 01 = Alarm2 is a Low Alarm 10 = Alarm2 is a High Alarm

# Appendix E

## Hazardous Area Certification

## Appendix E Hazardous Area Certification

The XTC601-EX Thermal Conductivity Analyzer is certified compliant to the ATEX Directive (94/9/EC) and IECEx for use within Zone 1 & 2 Hazardous Areas and has been assessed so by SIRA Certification (Notified Body 0518).

The XTC601-EX Thermal Conductivity Analyzer is certified compliant to the North American Standards (USA and Canada) for use within Class I, Division 1, Groups B, C and D Hazardous Locations and has been assessed so by cCSAus.

### E.1 Product Standards

This product conforms to the Standards:

EN60079-0:2012	IEC60079-0:2011
EN60079-1:2007	IEC60079-1:2007
EN60079-31:2009	IEC 60079-31:2008
CSA C22.2 No 0-10	UL 916
CSA C22.2 No 30-M1986 (R 2007)	UL 1203
CSA C22.2 No 142-M1987 (R 2009)	

### E.2 Product Standards

This product is attributed with the product certification codes:

**ATEX & IECEx**  
**II 2 GD Ex d IIB+H2 T3 Gb**  
**Ex tb IIIC T137°C Db IP66 T amb -40°C to +55°C**

**North American**  
**Class I, Division 1, Groups B, C, D**

### E.3 Global Certificates/Approvals

ATEX	SIRA 12ATEX1087X
IECEX	IECEX SIR 13.0041X
cCSAus	2609575
TC TR Ex	RU C-GB. ГБ05.B.00152

These certificates can be viewed or downloaded from our website at:  
<http://www.michell.com>

### E.4 Special Conditions

1. Cable entry holes shall be fitted with either an appropriately certified cable gland or appropriate certified blanking element. These shall provide and maintain a minimum enclosure ingress protection of IP66.
2. The maximum pressure associated with the process medium in the internal pipes shall be limited to 4 bar.
3. The maximum temperature associated with the process medium shall be limited to 55°C.

**E.5 Maintenance and Installation**

The XTC601-EX must only be installed by suitably qualified personnel and in accordance with the instructions provided and the terms of the applicable product certificates.

Maintenance and servicing of the product must only be carried out by suitably trained personnel or returned to an approved Michell Instruments' Service Center.

# Appendix F

## EU Declarations

## Appendix F EU Declarations

### F.1 EU Declaration of Conformity - GP Version

# EU Declaration of Conformity



Manufacturer: **Michell Instruments Limited**  
**48 Lancaster Way Business Park**  
**Ely, Cambridgeshire**  
**CB6 3NW. UK.**



We declare under our sole responsibility that the product:

## XTC601-GP Series Thermal Conductivity Analyser

complies with all the essential requirements of the EC directives listed below.

<b>2004/108/EC</b>	<b>EMC Directive</b>
<b>2014/30/EU</b>	<b>EMC Directive (effective date 16 April 2016)</b>
<b>2011/65/EU</b>	<b>Restriction of Hazardous Substances Directive (RoHS2)</b>

Using the standards:

<b>EN61326-1:2006</b>	<b>Electrical equipment for measurement, control and laboratory use – EMC requirements –Class B (emissions) and Industrial Locations (immunity).</b>
-----------------------	--

and has been designed to be in conformance with the relevant sections of the following standards or other normative documents.

<b>EN61010-1:2001</b>	<b>Safety Requirements for Electrical Equipment for Measurement, Control, and Laboratory Use - Part 1: General Requirements</b>
-----------------------	---

Andrew M.V. Stokes, Technical Director

Date of Issue: August 2015



## F.2 EU Declaration of Conformity - EX Version

**EU** Declaration of Conformity

Manufacturer: Michell Instruments Limited  
 Address: 48 Lancaster Way Business Park  
 Ely, Cambridgeshire  
 CB6 3NW. UK.



Equipment Type: **XTC601-EX\*-C\* Thermal Conductivity Analyser:**

**Directive 94/9/EC ATEX & 2014/34/EU ATEX** (effective date 20<sup>th</sup> April 2016)

Provisions of the Directive fulfilled by the Equipment:

**Group II Category 2GD Ex d IIB+H2 T3 Gb**  
**Ex tb IIIC 137°C Db IP66**  
**Tamb -40°C to +55°C**  
*The use of O ring Options will affect Tamb ratings.*

Notified Body for EC-Type Examination  
**SIRA Certification, Chester. UK. Notified Body No. 0518**

Notified Body for Production (QAN & QAR):  
**Baseefa, Buxton. UK. Notified Body No. 1180**

EC-Type Examination Certificate:  
**Sira 12ATEX1087X**

Standards used:  
**EN 60079-0:2012**  
**EN 60079-1:2007**  
**EN60079-31:2009**

**IECEX**

Certificate of Conformity No.  
**IECEX SIR 13.0041X**

**Ex d IIB+H2 T3 Gb**  
**Ex tb IIIC 137°C Db IP66**  
**Tamb -40°C to +55°C**  
*The use of O ring Options will affect Tamb ratings.*

Standards used:  
**IEC60079-0:2011**  
**IEC60079-1:2007**  
**IEC60079-31:2008**

**Other Directives**

**2004/108/EC EMC Directive & 2014/30/EU EMC Directive** (effective date 20<sup>th</sup> April 2016)

Is in conformity with the following Standard(s) or Normative Document(s):

EN61326-1:2006 *Electrical equipment for measurement, control and laboratory use - EMC requirements Emissions & Immunity.*

**2011/65/EU Restriction of Hazardous Substances Directive (RoHS2)** (effective date 20<sup>th</sup> April 2016)

On behalf of the above named company, I declare that, on the date the equipment accompanied by this declaration is placed on the market, the equipment conforms with all technical and regulatory requirements of the above listed directives.

Andrew M.V. Stokes,  
 Technical Director, Michell Instruments Ltd.  
 August 2015

ECD XTC601-Ex Series Issue 02

# Appendix G

## Quality, Recycling & Warranty Information

---

## Appendix G Quality, Recycling & Warranty Information

### G.1 Pressure Equipment Directive (PED) 97/23/EC

The above Directive has been implemented in United Kingdom Law by the Pressure Equipment Regulations 1999.

The Regulations require that all pressure equipment and assemblies within the scope of the Pressure Equipment Directive must be safe when placed on the market or put into service.

Michell Instruments' products have been assessed and, as referenced against the Classification Charts detailed in Annex II of the Directive, do not fall into the requirements for CE marking compliance with the Pressure Equipment Directive.

Article 3, paragraph 3 states that any product containing a pressurized fluid that does not qualify for compliance should, nevertheless, be constructed with Sound Engineering Practice (SEP).

Michell Instruments attests here that its products have been designed, manufactured & tested to assure safe operation, and in accordance with Sound Engineering Practices.

### G.2 Recycling Policy



Michell Instruments is concerned with the protection of the environment. It is our commitment to reduce and eliminate from our operations, wherever possible, the use of substances which may be harmful to the environment. Similarly, we are increasingly using recyclable and/or recycled material in our business and products wherever it is practical to do so.

To protect natural resources and to promote material reuse, please separate batteries from other types of waste and recycle responsibly. If batteries are not properly disposed of, these substances can cause harm to human health and the environment.

The product that you have purchased may contain recyclable and/or recycled parts and we will be happy to provide you with information on these components if required. For further information please see the following sections.

### G.3 WEEE Compliance

#### Directive 2012/19/EU 4 July 2012 on Waste Electronic and Electrical Equipment (WEEE)

The Waste Electronic and Electrical Equipment (WEEE) Directive places rules upon European manufacturers of electrical and electronic equipment. The directives' aim is to reduce the impact that electronic devices have on the environment.

Michell Instruments is in full compliance with the WEEE Directive and is registered with an approved recycler (Registration No. WEE/JB0235YW) and treats the requirement of the directive and the protection of the environment with the utmost importance. All Michell Instruments' products are appropriately marked indicating their requirement for recycling.

It may be required to return certain instruments for treatment at the end of their working life.

Feb 2013

---

---

## G.4 RoHS2 Compliance

### Directive 2011/65/EU of the European Parliament and of the Council of 8 June 2011

The Restriction of Hazardous Substances (RoHS) Directive places rules upon European manufacturers of electrical and electronic equipment. The directives' aim is to reduce the impact that electronic devices have on the environment.

According to the EC Directive 2002/95/EC, Michell Instruments' products qualify as Category 9, Control and Monitoring Equipment. Under the 2002/95/EC Directive, Category 9 products are exempt from compliance with the Directive.

However, the careful design of all Michell Instruments' products takes into consideration the requirements of the Directive and, wherever possible, compliance is achieved. All future products will be developed entirely using compliant materials. Furthermore, Michell Instruments is taking active steps to remove non-compliant materials and components from existing products wherever these may occur. Presently, none of the non-compliant materials are known to occur in Michell Instruments' products.

The new Directive 2011/65/EU (RoHS2) entered into force on 21 July 2011 and required all Member States to transpose the provisions into their respective national laws by 2 January 2013.

Under the provisions of the RoHS2 EU Directive 2011/65/EU (Article 3, [24]) defines 'Control and Monitoring Equipment' specifically as 'monitoring and control instruments designed exclusively for industrial or professional use'.

RoHS2 EU Directive 2011/65/EU states the closing date for compliance of any Control and Monitoring Equipment product sold into the EU market place as 22nd July 2017.

However, the careful design policy of all Michell Instruments' products continues to attain compliance in the shortest practical timescales and strives to ensure that less than 0.1% of total mass per product, of all non-compliant materials, appear within them. Michell Instruments continues to monitor suppliers and material sources to ensure that compliance of goods provided is maintained.

January 2013

## G.5 Warranty

Unless otherwise agreed, the Supplier warrants that, as from the date of delivery for a period of 12 months, the goods and all their component parts, where applicable, are free from any defects in design, workmanship, construction or materials.

The Supplier warrants that the services undertaken shall be performed using reasonable skill and care, and be of a quality conforming to generally accepted industry standards and practices.

Except as expressly stated, all warranties whether express or implied, by operation of law or otherwise, are hereby excluded in relation to the goods and services to be provided by the Supplier.

All warranty services are provided on a return to base basis. Any transportation costs for the return of a warranty claim shall reside with the Customer.

## G.6 REACH Compliance

Regulation (EC) No. 1907/2006

Registration, Evaluation, Authorisation and Restriction of Chemicals (REACH)

Michell Instruments is a manufacturer of moisture measurement and gas analysis instrumentation and is a 'downstream' user of chemicals, as described by the EU Council Directive 76/769/EEC. The products we supply are not raw chemical products (goods).

Under normal and reasonably foreseeable circumstances of application, the goods supplied to you shall not contain or release any prohibited chemicals. No listed SVHC (Substances of Very High Concern) appear within products manufactured by Michell Instruments. Therefore the 0.1% mass per product, or total usage of 1 tonne/year, will never be exceeded. For these reasons we are neither required by obligation for registration nor for the creation of material safety data sheets (MSDS) for our products.

Our continued review of the SVHC Candidate List and latest additions is to ensure we remain compliant.

Michell Instruments maintains a hazardous material register in which MSDS data sheets are collated, and we will check that our suppliers will comply to REACH requirements for all materials and substances we use in the processes of our manufacturing.

In the unlikely event that any chemicals of concern appear in our products in quantities greater than 0.1% of total mass per product we will immediately inform you by correspondence according to the REACH Article 33 requirements. Our current appraisal is, however, that we do not expect or foresee such an incidence.

January 2013

## G.7 Return Policy

If a Michell Instruments' product malfunctions within the warranty period, the following procedure must be completed:

1. Notify a Michell Instruments' distributor, giving full details of the problem, the model variant and the serial number of the product.
2. If the nature of the problem indicates the need for factory service then the instrument should be returned to Michell Instruments, carriage prepaid, preferably in the original packaging, with a full description of the fault and the customer contact information.
3. Upon receipt, Michell Instruments will evaluate the product to determine the cause of the malfunction. Then, one of the following courses of action will be taken:
  - If the fault is covered under the terms of the warranty, the instrument will be repaired at no cost to the owner and returned.
  - If Michell Instruments determines that the fault is not covered under the terms of the warranty, or if the warranty has expired, an estimate for the cost of the repairs, at standard rates, will be provided. Upon receipt of the owner's approval to proceed, the product will be repaired and returned.

## G.8 Calibration Facilities

Michell Instruments' calibration facilities are among the most sophisticated in the world and have been recognized for their excellence.

Traceability to the National Physical Laboratory (NPL) UK is achieved through our UKAS Accreditation (Number 0179). This covers dew point over the range -90 to +90°C (-130 to +194°F) and also Relative Humidity.

Dew-point calibrations are also traceable to the National Institute for Standards & Technology (NIST) USA over the range -75 to +20°C (-103 to +68°F).

**NOTE: Standard traceable calibration certificates for instruments and sensors are not issued under our UKAS accreditation.**

## G.9 Manufacturing Quality

Michell Instruments is registered with the British Standards Institute for Quality Assurance to:

BS EN ISO 9001: 2008

Rigorous procedures are performed at every stage of production to ensure that the materials of construction, manufacturing, calibration and final test procedures meet the requirements laid down by our BSI approved Quality System.

Please contact Michell Instruments ([www.michell.com](http://www.michell.com)) if the product does not arrive in perfect working order.

## G.10 FCC (EMC Requirements for North America)

This device complies with part 15 of the FCC Rules. Operation is subject to the following two conditions:

1. This device may not cause harmful interference.
2. This device must accept any interference, including interference that may cause undesired operation.

This equipment has been tested and found to comply with the limits for a Class A digital device, pursuant to part 15 of the FCC Rules. These limits are designed to provide reasonable protection against harmful interference when the equipment is operated in a commercial environment. This equipment generates, uses, and can radiate radio frequency energy and, if not installed and used in accordance with the user manual, may cause harmful interference to radio communications. Operation of this equipment in a residential area is likely to cause harmful interference in which case the user will be required to correct the interference at his own expense. This product must be operated as per the operating instructions provided. Do not make any alterations or modifications to the product. Any unauthorized alterations or modifications made to this product may require you to stop operating the product.

### Canadian Radio Interference Regulations

This Class A digital product complies with Canadian ICES-001. Règlement canadien sur les interférences radio. Ce produit numérique de classe A est conforme à la norme NMB-001.

# Appendix H

## Analyzer Return Document & Decontamination Declaration

Appendix H Analyzer Return Document & Decontamination Declaration

**Decontamination Certificate**

**IMPORTANT NOTE: Please complete this form prior to this instrument, or any components, leaving your site and being returned to us, or, where applicable, prior to any work being carried out by a Michell engineer at your site.**

Instrument			Serial Number	
Warranty Repair?	YES	NO	Original PO #	
Company Name			Contact Name	
Address				
Telephone #			E-mail address	
Reason for Return /Description of Fault:				
Has this equipment been exposed (internally or externally) to any of the following? Please circle (YES/NO) as applicable and provide details below				
Biohazards			YES	NO
Biological agents			YES	NO
Hazardous chemicals			YES	NO
Radioactive substances			YES	NO
Other hazards			YES	NO
Please provide details of any hazardous materials used with this equipment as indicated above (use continuation sheet if necessary)				
Your method of cleaning/decontamination				
Has the equipment been cleaned and decontaminated?			YES	NOT NECESSARY
Michell Instruments will not accept instruments that have been exposed to toxins, radio-activity or bio-hazardous materials. For most applications involving solvents, acidic, basic, flammable or toxic gases a simple purge with dry gas (dew point <-30°C) over 24 hours should be sufficient to decontaminate the unit prior to return. <b>Work will not be carried out on any unit that does not have a completed decontamination declaration.</b>				
<b>Decontamination Declaration</b>				
I declare that the information above is true and complete to the best of my knowledge, and it is safe for Michell personnel to service or repair the returned instrument.				
Name (Print)			Position	
Signature			Date	





**NOTES:**



<http://www.michell.com>