

# PCMini52

## Digital Relative Humidity and Temperature Mini Probe

The micro processor control and multi-point calibration gives the PCMini52 RH probe excellent performance in terms of accuracy and linearity. The mini probe can provide two linear analog outputs for temperature and relative humidity, dew point, absolute humidity or wet bulb temperature.



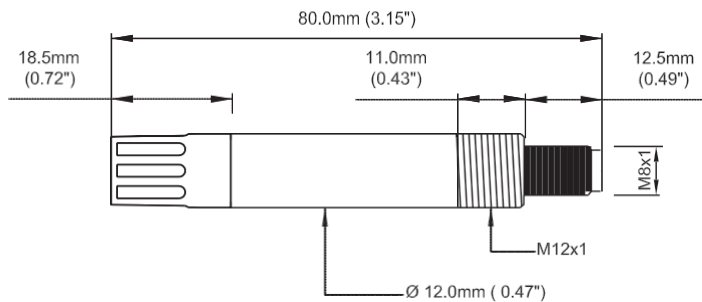
### Highlights

- Analog voltage outputs
- Output can be % RH, calculated absolute humidity, dew point or wet bulb temperature and temperature
- Excellent linearity, micro processor temperature compensated
- Low power consumption, fast settling time
- Small size: L = 80mm,  $\varnothing$ 12mm (L = 3.15",  $\varnothing$ 0.47")
- Stainless steel and molded polymer variants

### Technical Specifications

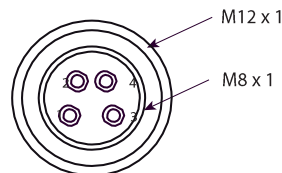
Performance	
Measurement range (RH)	0–100% RH
Measurement range (T)	-20 to +80°C (-4 to +176°F)
Accuracy @ 23°C (73°F) humidity	<±2% RH (10–90% RH)
Accuracy @ 23°C (73°F) temperature	±0.2°C (±0.36°F)
Stability – RH sensor	±1% RH/year
Response time – RH sensor	<10 sec typical (for 90% of the step change)
Electrical Specifications	
Output signal options	0 to 1, 0 to 5, 0 to 10 V
Supply voltage	14 to 35 V DC (for 0 to 5 / 10 V output) 6 to 35 V DC (for 0 to 1 V output)
Current consumption	4 mA on a typical voltage lead
CE marked	Certified
Operating Specifications	
Operating temperature	
Sensing element	-30 to +85°C (-22 to +185°F)
Housing	-30 to +85°C (-22 to +185°F)
Storage	-40 to +85°C (-40 to +185°F)
Mechanical Specifications	
Ingress protection	IP65 (NEMA 4 level)
Housing material	Molded polymer / stainless steel (options)
Dimensions	L=80mm, $\varnothing$ 12mm (L=3.15", $\varnothing$ 0.47")
Filter	PVDF / HDPE / mesh / sintered (options)
Weight	10g (0.35oz)
Electrical connections	4 pin, M8 connector

### Dimensions



### Electrical Connections

Mating Cable		Pin
Brown	Supply voltage V +	1
White	Output RH, dew point or absolute humidity	2
Blue	Common ground	3
Black	Output temperature	4



Michell Instruments Ltd, Rotronic Instruments Corp. 135 Engineers Road, Suite 150, Hauppauge NY 11788

Tel: 631 427 3898, Email: [us.info@michell.com](mailto:us.info@michell.com), Web: [www.michell.com/us](http://www.michell.com/us)

Please note: Michell Instruments adopts a continuous development program which sometimes necessitates specification changes without notice. Please contact us for latest version. Issue No: PCMini52\_97176\_V5.2\_US\_0718

