

DT722

Duct Mount Rugged Relative Humidity and Temperature Transmitter

The DT722 is a rugged industrial relative humidity and temperature transmitter designed for process applications where accurate, stable measurement and control of humidity and temperature is required.



Highlights

- Designed for accurate measurement in a harsh environment
- Can withstand temperatures up to 150°C (300°F)
- Stainless steel housing
- Calculated moisture signal output, optional
- Integral loop powered display – optional
- 0 to 100% RH / -40 to +150°C operating ranges
- Long term stability: $\pm 1\%$ RH over 12 months
- M12 fast connector and cable gland

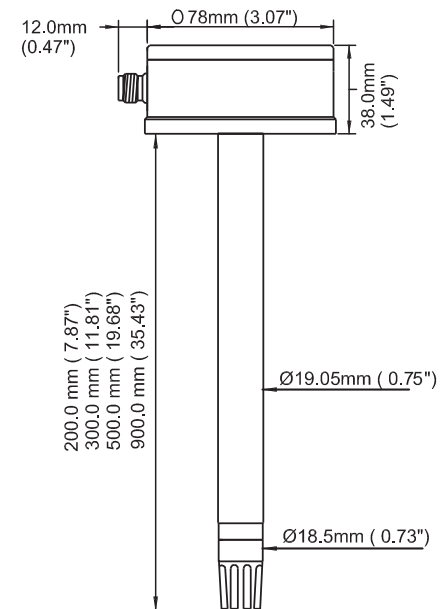
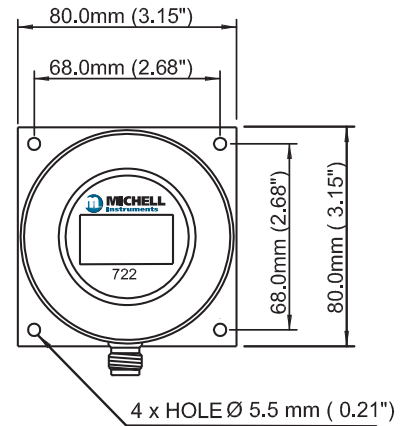
Applications

- HVAC
- Agricultural
- Environmental

Technical Specifications

Performance	
Measurement range (RH)	0–100% RH
Measurement range (T)	-40 to +150°C (-40 to +302°F)
Accuracy @ 25°C (77°F) humidity	<±2% RH (5-95% RH)
Accuracy @ 25°C (77°F) temperature	±0.2°C (±0.36°F) typical
Stability – RH Sensor	±1% RH/year
Response time – RH Sensor	<10 sec typical (for 90% of the step change)
Electrical Specifications	
Output signal	4–20 mA
Supply voltage	8 to 32 V DC
Supply voltage influence	±0.01% RH/V typical
Operating Specifications	
Operating humidity Probe, housing, storage	10 to 95% RH (non-condensing)
Operating temperature Probe Housing Storage	-40 to +150°C (-40 to +302°F) -20 to +70°C (-4 to +158°F) -30 to +75°C (-22 to +167°F)
Mechanical Specifications	
Ingress protection	IP65 (NEMA 4 level)
Housing material	Stainless steel
Weight	200mm / 800g (7.87" / 28.22oz) 300mm / 900g (11.81" / 31.75oz) 500mm / 1040g (19.69" / 36.68oz) 900mm / 1412g (35.43" / 49.80oz)
Electrical connections	5 pin, M12

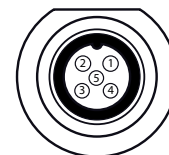
Dimensions



Electrical Connections

Connections		
Cable	Pin	
White	Pin 1	SUPPLY + 8 to 32 V DC
Yellow	Pin 2	Output 2 = Temp 4-20 mA (max 500 Ω)
Brown	Pin 3	Not connected (for calibration only)
Green	Pin 4	Output 1 = RH 4-20 mA (max 500 Ω)
	Pin 5	Not connected (for calibration only)

Note: Both RH and T need to be connected in order for the T output to work



Electrical Connections

Note: Even though the DT722 has a 5 pin connector, the standard connection cable (A000031) only has four pins/wires. However, only three pins (1, 2 and 4) are needed to connect the DT722.

Michell Instruments Ltd, Rotronic Instruments Corp. 135 Engineers Road, Suite 150, Hauppauge NY 11788
Tel: 631 427 3898, Email: us.info@michell.com, Web: www.michell.com/us

Michell Instruments adopts a continuous development programme which sometimes necessitates specification changes without notice.
Issue no: DT722_97191_V4.1_US_0618