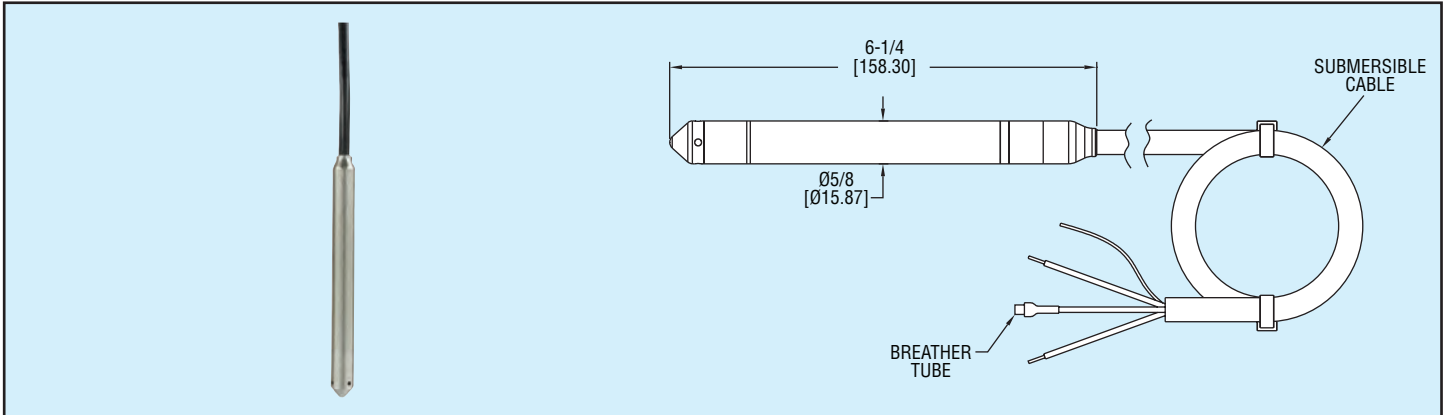




Series
MBLT

Miniature Submersible Level Transmitter

Only 0.63" in Diameter, Perfect for Wells and Boreholes, Up to ±0.10% Accuracy



The **MBLT Miniature Submersible Level Transmitter** is only 0.63" in diameter making it ideal for level monitoring in well and borehole applications. Constructed for years of trouble free service, the MBLT has a welded 316 SS body and 316 SS nose cap. Body top is also 316 SS and tapered to prevent damage or snares when pulling the unit out of the installation. Featured in the MBLT is a precision ±0.10% or 0.25% of full scale accuracy output, better than BFSL or BSL rated outputs used by most competitors. Lightning and surge protection (not guaranteed or covered by standard warranty) is included standard to stand up in harsh applications. MBLT comes with a choice of polyether polyurethane or ETFE cable materials and all are vented for barometric pressure compensation. Vent is covered with a maintenance-free filter preventing particulate or water droplets from entering the transmitter.

APPLICATIONS

- Ballast tanks; ground water monitoring; surface water monitoring; dewatering; down hole; remediation and other environmental monitoring applications.

SPECIFICATIONS

Service: Compatible liquids.

Wetted Materials:

Body and nose: 316 SS;
Cable: Polyether polyurethane or ETFE;
Seals: Fluoroelastomer;
Label: Polyethylene polyamid.

Accuracy: ±0.25% FS (10' w.c. range is ±0.30% FS) or ±0.10% FS.

Temperature Limits: -4 to 176°F (-20 to 80°C).

Compensated Temperature Limits: 0.25%: (0 to 70°C); 0.10% (0 to 60°C).

Thermal Effect: 0.25%: ±0.45% FS TEB; 0.10%: ±0.30% FS TEB.

Pressure Limit: 2 x FS.

Power Requirements: 10 to 33 VDC.

Output Signal: 4 to 20 mA DC 2-wire.

Response Time: < 50 ms.

Max Loop Resistance: 1000 Ω @ 30 VDC.

Electrical Connections: Wire pigtail.

Mounting Connection: Suspended below point being monitored.

Electrical Protection: Surge/lightning protected per EN61000-4-5, Class 5.

Weight:

Body: 0.235 lb (0.107 kg);

Cable: 0.037 lb (0.009 kg) per foot.

Agency Approval: CE.

Model ±0.10%	Model ±0.25%*	Range psi (' w.c.) [m w.c.]	Cable Length	Cable Type
-	MBLT-2SC-IVPP-5-40	5 (11.54) [3.52]	40 ft	Polyether polyurethane
-	MBLT-2SC-IVPF-15-40	2.82 (15) [4.57]	40 ft	Polyether polyurethane
-	MBLT-2SC-IVPM-5-12.2	7.10 (16.40) [5]	12.2 m	Polyether polyurethane
-	MBLT-2SC-IVPM-60-66	14.21 (196.85) [60]	66 m	Polyether polyurethane
-	MBLT-2SC-IVPM-100-106	25.58 (328.08) [100]	106 m	Polyether polyurethane
-	MBLT-2SC-IVPM-200-206	25.58 (656.17) [200]	206 m	Polyether polyurethane
-	MBLT-2SC-IVPM-10-30*	4.33 (10) [3.05]	9.14 m	Polyether polyurethane
MBLT-2SB-IVPF-20-40	MBLT-2SC-IVPF-20-40	8.66 (20) [6.10]	40 ft	Polyether polyurethane
MBLT-2SB-IVPF-30-50	MBLT-2SC-IVPF-30-50	12.99 (30) [9.14]	50 ft	Polyether polyurethane
MBLT-2SB-IVPM-10-15.2	MBLT-2SC-IVPM-10-15.2	14.21 (32.81) [10]	15.2 m	Polyether polyurethane
MBLT-2SB-IVPF-50-70	MBLT-2SC-IVPF-50-70	21.65 (50) [15.24]	70 ft	Polyether polyurethane
MBLT-2SB-IVPM-20-26	MBLT-2SC-IVPM-20-26	28.42 (65.62) [20]	26 m	Polyether polyurethane
MBLT-2SB-IVPM-30-36	MBLT-2SC-IVPM-30-36	42.63 (98.43) [30]	36 m	Polyether polyurethane
MBLT-2SB-IVPF-100-120	MBLT-2SC-IVPF-100-120	43.31 (100) [30.48]	120 ft	Polyether polyurethane
MBLT-2SB-IVPM-40-46	MBLT-2SC-IVPM-40-46	56.83 (131.23) [40]	46 m	Polyether polyurethane
MBLT-2SB-IVPF-150-170	MBLT-2SC-IVPF-150-170	64.96 (150) [45.72]	170 ft	Polyether polyurethane
MBLT-2SB-IVPM-60-66	MBLT-2SC-IVPM-60-66	85.25 (196.85) [60]	66 m	Polyether polyurethane
MBLT-2SB-IVPF-200-220	MBLT-2SC-IVPF-200-220	86.62 (200) [60.96]	220 ft	Polyether polyurethane
MBLT-2SB-IVPF-350-370	MBLT-2SC-IVPF-350-370	151.58 (350) [3.52]	370 ft	Polyether polyurethane
MBLT-2SB-IVPM-100-106	MBLT-2SC-IVPM-100-106	142.09 (328.08) [100]	106 m	Polyether polyurethane
MBLT-2SB-IVPM-200-206	MBLT-2SC-IVPM-200-206	284.18 (656.17) [200]	206 m	Polyether polyurethane
MBLT-2SB-IVPF-690-710	MBLT-2SC-IVPF-690-710	298.83 (690) [210.31]	710 ft	Polyether polyurethane

*4.3 to 4.9 psi (10 to 11.54 in w.c.) configured ranges ±0.30% FS accuracy

ACCESSORY



A-297, Dessicant Filter for vent tube. Removes humidity for protection of the sensor. Changes color to show saturation