



MINIPAQ-L

# Basic Programmable 2-wire Transmitter



MINIPAQ-L is a basic, programmable non-isolated, easy-to-use 2-wire transmitter. Configuration is made in seconds with the user friendly Windows software. No external power supply required for configuration. MINIPAQ-L is programmable for RTD's in 3- and 4-wire connection according to different standards as well as for 11 T/C types. Useful error correction functions improve the accuracy.

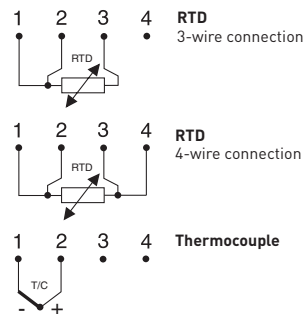
- Accepts RTD in 3- and 4-wire connection and 11 T/C types
- Temperature linear output
- Sensor error and system (sensor/transmitter) error correction for highest total accuracy
- Configuration without external power
- Easy-to-use Windows configuration software
- NAMUR compliant
- Test output without breaking the loop
- USB communication
- Withstands vibrations up to 10 g

## Specifications:

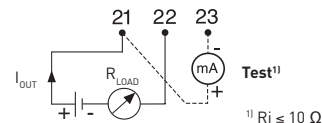
<b>Input RTD</b>	3-, 4-wire connection
Pt100 ( $\alpha=0.00385$ )	-200 to +1000 °C / -328 to +1832 °F
Pt1000 ( $\alpha=0.00385$ )	-200 to +200 °C / -328 to +392 °F
PtX $10 \leq X \leq 1000$ ( $\alpha=0.00385$ )	Upper range depending on X-value
Pt100 ( $\alpha=0.003902$ )	-200 to +1000 °C / -328 to +1832 °F
Pt100 ( $\alpha=0.003916$ )	-200 to +1000 °C / -328 to +1832 °F
Ni100 <sup>2)</sup>	-60 to +250 °C / -76 to +482 °F
Ni1000 <sup>2)</sup>	-10 to +150 °C / +14 to +302 °F
Ni120 <sup>3)</sup>	-70 to +300 °C / -94 to +572 °F
Cu10 <sup>4)</sup>	-200 to +260 °C / -328 to +500 °F
<b>Input Thermocouples</b>	
Types	B, C, E, J, K, L, N, R, S, T, U
<b>Sensor failure</b>	Upscale, downscale or off
<b>Adjustments - Zero</b>	Any value within range limits
<b>Adjustments - Minimum spans</b>	
Pt100, Pt1000, Ni100, Ni1000	10 °C / 18 °F
T/C	2 mV
<b>Output</b>	4-20 mA, temperature linear
<b>Operating temperature</b>	-20 to +70 °C / -4 to +158 °F
<b>Galvanic isolation</b>	No
<b>Power supply</b>	8 to 32 VDC
<b>Typical accuracy</b>	±0.15 % of temperature span
<b>Mounting</b>	Rail acc. to DIN EN 50022, 35 mm

<sup>1)</sup> IEC 60751, <sup>2)</sup> DIN 43760, <sup>3)</sup> Edison No.7, <sup>4)</sup> Edison No.15

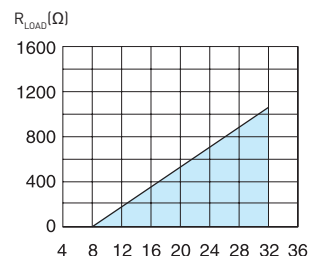
### Input connections



### Output connections



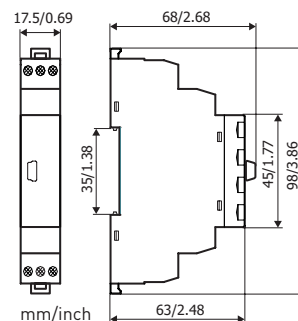
### Output load diagram



Supply voltage U (V DC)

$$R_{LOAD} = (U - 8) / 0.022$$

### Dimensions



### Ordering information

MINIPAQ-L	70MQL00003
PC Configuration Kit (USB conn.)	70CFGUS001
Configuration	70CAL00001