



MIC 2000™

Versatile with High-End Features

1/4 DIN Temperature Controller

DESCRIPTION

The MIC 2000 is a single loop, 1/4 DIN controller capable of controlling a variety of processes ranging from simple on/off to dual 4-20mA output with full PID. Inputs include thermocouple, RTD, millivolt, volt, and milliamp.

Standard features include: isolated process input, setpoint and output limits, and .56 inch high LEDs. It will display programming of process deviation and setpoint, of percent output, and scaling with decimal point positioning.

Optional features include: up to three relay outputs, three types of alarms, remote setpoint input, electric motor modulation, RS-485 communications and process value retransmission output as well as restricted security access. Access to configuration parameters and setpoint may be restricted by using the instrument's security-access mode.

APPLICATIONS:

Ideal for temperature control applications requiring a value-priced, user-friendly, versatile and full featured temperature controller.

INDUSTRIES:

- Industrial and lab ovens/furnaces, plastics and thermal forming
- Form/Fill and seal
- Packaging applications
- And any others where low costs, smaller size and unmatched connectivity are critical requirements.

FEATURES/BENEFITS

- Single, 4-digit, 0.56" LED display
- 1/4 DIN panel mount
- Universal Input for thermocouple, RTD DC linear V, DC linear mA/mV user-selectable
- Up to 3 outputs; relay, SSR driver, 4-20mA
- Process or deviation/band alarm functions
- ON/OFF, position proportioning, PID Control
- Optional RS-485 serial communications
- Program security

SPECIFICATIONS*

STANDARD FEATURES

Full PID capability
 Single or dual outputs via relay, 4-20 mA current or SSR driver
 Separate alarm output
 Universal input plus remote setpoint and sensor break detection

ENVIRONMENTAL CHARACTERISTICS

Operating Temperature: 0 to 55°C, 32 to 131°F
Storage Temperature: -40 to 65°C, -40 to 149°F
Humidity: 0 to 90% RH, non condensing
Vibration: 0.5 to 100Hz at 0.5g

ELECTRICAL

Line Voltage: 115/230VAC +/- 10% 50/60 Hz
Power Consumption: 15VA maximum
Transmitter Power Supply: Provides up to 40mA @ 24 VDC.

INPUTS

Thermocouple types: J, K, T, R, S, E, B, N, and C.
RTD: 100 ohm platinum (.00385 Ohm/Ohm/C)
Volts: 0 to 5VDC, 1 to 5 VDC
Millivolts: 0 to 25mVDC, 0 to 50mVDC, 10 to 50mVDC
Milliamps: 0 to 20 or 4 to 20mADC, accommodated via the addition of a shunt resistor
Remote Setpoint: 0 to 5VDC, 1 to 5 VDC
Sensor Fault Detection: Displays Hi or Lo for thermocouple or RTD inputs (10% above or below range) and sensor break, SnSr. On/Off outputs go off, proportional outputs go to 0%. Sensor fault detection is not functional for 0 to 5VDC or 0 to 20mADC.

OUTPUTS

Relay: SPST
 115VAC: 5.0 A Resistive; 1/8HP or 250VA
 230VAC: 2.5 A Resistive; 1/8HP or 250VA
SSR Driver: Open collector output Short circuit protected at 100mA maximum
 Provides 4VDC at 20mA or 3VDC at 40mA
Current Output: 0-20 or 4-20 mADC into 650 ohms maximum

DISPLAY

Digital Display: Four 7 segment LEDs each .56 inches high. Status Indicators
 Individual LED indicators for Setpoint, Out 1, Out 2, Manual, Alarm, Degrees F, Degrees C, or Engineering Units, and minus sign for negative values.

ALARM ADJUSTMENT

Process Alarm: -9999 to 9999 units
Deviation Alarm: -3000 to 3000 units
Deviation Band Alarm: 1 to 3000 units

CONTROL ADJUSTMENTS

On/Off Hysteresis: 0 to 300 units
Proportional Band: 1 to 3000 units
Manual Reset: -1500 to 1500 units
Auto Reset: 0.0 to 100.0 repeats/minute
Rate: 0.0 to 10.0 minutes
Cycle Time: 1 to 240 seconds
Position Prop. Sensitivity: 0.0 to 50.0%
First Output Position: -1000 to 1000 units
Spread: -1000 to 1000 units
 (Second Output Position)

PERFORMANCE

Measurement Error Limit:

- Type J, K, T, E, N, C thermocouples and RTD +/- 0.25% of reading plus 1 degree at 25°C
- Type R, S, B thermocouple +/- 0.25% of span at 25°C
- mVDC, mADC and VDC +/- 0.25% of span, plus 1 least-significant-digit at 25°C

Ambient Temperature Error: 0.01% of span per degree C deviation from 25°C

Scan Rate: 1 scan per second (3 scans per second available on EA option)

Display Resolution: T/C & RTD: 0.1 or 1 degree mV & VDC: 0.001, 0.01, 0.1, or 1.0

Auto Reset Windup Inhibit: Auto reset is disabled when the process is outside of the proportional band

Cold Junction Compensation: Self compensation for ambient temperature. All calibration values are stored in memory.

Noise Rejection: Normal mode, 85dB minimum @ 60Hz or greater. Common mode, 90dB minimum ±8 VDC maximum peak for RTD input, 115VAC maximum for other inputs.

PHYSICAL DIMENSIONS

Dimensions: 1/4 DIN front panel, 5.8" deep
Weight: 3 pounds maximum

COMMUNICATIONS

Type: RS-485 serial communication port
Protocol: Partlow ASCII

RATINGS/AGENCY APPROVALS

UL & cUL recognized (E67237),
 CSA (LR39885)

WARRANTY

3 years

Made in USA

* Specifications are for base models with standard features only unless otherwise noted. Specifications subject to change without notice in accordance with our DBS policy of continuous improvement. All product and brand names are trademarks of their respective owners. All rights reserved.

Partlow™ brand and MIC 2000™ are trademarks of Danaher Industrial Controls Group. All rights reserved.

© 2005 DICG Corp.

Partlow Brand MIC 2000 Data Sheet (7/05)

PARTLOW™ brand

MIC 2000™

Versatile with High-End Features

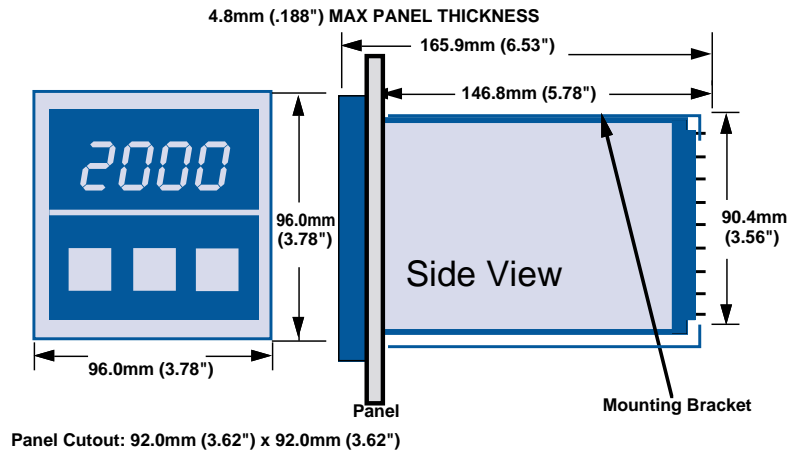
1/4 DIN Temperature Controller

Controllers

MODELS

Code 1: Model #	Code 2: Input	Code 3: Output 1	Code 4: Output 2	Code 5: Alarm	Code 6: Remote	Code 7: Voltage	Code 8: Option Suffix
2	□	□	□	□	□	□	□
1/4 DIN Temperature Controller includes: universal input, three outputs, remote setpoint	1 T/C or mV 2 Volts/mA 3 RTD 4 All Inputs	1 Relay 2 SSR Driver 3 4-20mA	0 None 1 Relay 2 SSR Driver 3 4-20mA	0 None 1 Relay 2 SSR Driver	0 None 1 Position Proportioning* 2 Remote Setpoint 3 RS-485 Standard Com.** 5 RS-485 Total Access Com.**	1 115 VAC Input & Relays 2 230 VAC Input & Relays 3 115 VAC Input & 230 VAC Relays	(Blank) None BA Remote Keypad EA Extended Feature Software† EB Extended Feature Software*** † XP 24VDC Transmitter Power Supply XA 24VDC Power Supply††

DIMENSIONS - 1/4 DIN



* Limited to Model 2X11X1X or 2X22X1X.

** Cannot be included when Output 2 selection is 3.

*** Suffix Option EB includes the EA features.

† Not available with RS-485 Standard Com.

†† ALARM not available when XA suffix is ordered.

Note: RS-485 Total Access Com. includes Options EA and EB at charge.

Headquarters: 1675 Delany Road • Gurnee, IL 60031-1282 • USA
Phone: +1 847.662.2666 • Fax: +1 847.662.6633

Satellite Locations:

North America: North Carolina, South Carolina, Connecticut, Massachusetts, New York, Canada, British Virgin Islands • **Europe:** United Kingdom, Italy, France, Germany, Spain, Slovakia • **Latin America:** Brazil • **Asia:** China, Japan, Korea, Singapore

Customer Service:

Tel.: +1.800.390.6405
Fax: +1.910.879.5486

partlow.custserv@dancon.com

Technical Support

Tel.: +1.800.866.6659
Fax: +1.847.782.5277

partlow.techsupport@dancon.com



www.partlow.com • www.danaherindustrialcontrols.com

Process Automation Worldwide Brands: LFE™ • Partlow™ • PMA™ • Rustrak™ • West™

Process Automation Worldwide Brands:

LFE™

Partlow™

PMA™

Rustrak™

West™



A division of
Danaher, a
Fortune 500
company with
offices in 30
countries around
the world.

More Available. With factories around the world, global sales and applications support, and an expansive network of distributors, we stay close to our customers - shortening lead times and fostering responsiveness. Three-day lead time is standard, with same-day shipments available on many of our products.

More Selection. We have a broad selection of controllers to meet application requirements in a variety of industries. User-configurable, accurate and flexible, with low, mid, or high level performance ranges, our controller products meet your system and budgetary requirements.

More Reliable. Our experience with more than 25,000 customers has taught us to design controllers that are reliable and durable, with quality standards that meet six sigma requirements.

For additional information or a full-line catalog, contact DICG Customer Service or visit our web site.

* Specifications are for base models with standard features only unless otherwise noted. Specifications subject to change without notice in accordance with our DBS policy of continuous improvement. All product and brand names are trademarks of their respective owners. All rights reserved.

Partlow™ brand and MIC 2000™ are trademarks of Danaher Industrial Controls Group. All rights reserved.

© 2005 DICG Corp.

MIC 2000 Data Sheet (7/05)



Headquarters: 1675 Delany Road • Gurnee, IL 60031-1282 • USA
Phone: +1 847.662.2666 • Fax: +1 847.662.6633

Satellite Locations:

North America: North Carolina, South Carolina, Connecticut, Massachusetts, New York, Canada, British Virgin Islands • **Europe:** United Kingdom, Italy, France, Germany, Spain, Slovakia • **Latin America:** Brazil • **Asia:** China, Japan, Korea, Singapore

Customer Service:

Tel.: +1.800.390.6405

Fax: +1.910.879.5486

partlow.custserv@dancon.com

Technical Support

Tel.: +1.800.866.6659

Fax: +1.847.782.5277

partlow.techsupport@dancon.com

www.partlow.com • www.danaherindustrialcontrols.com