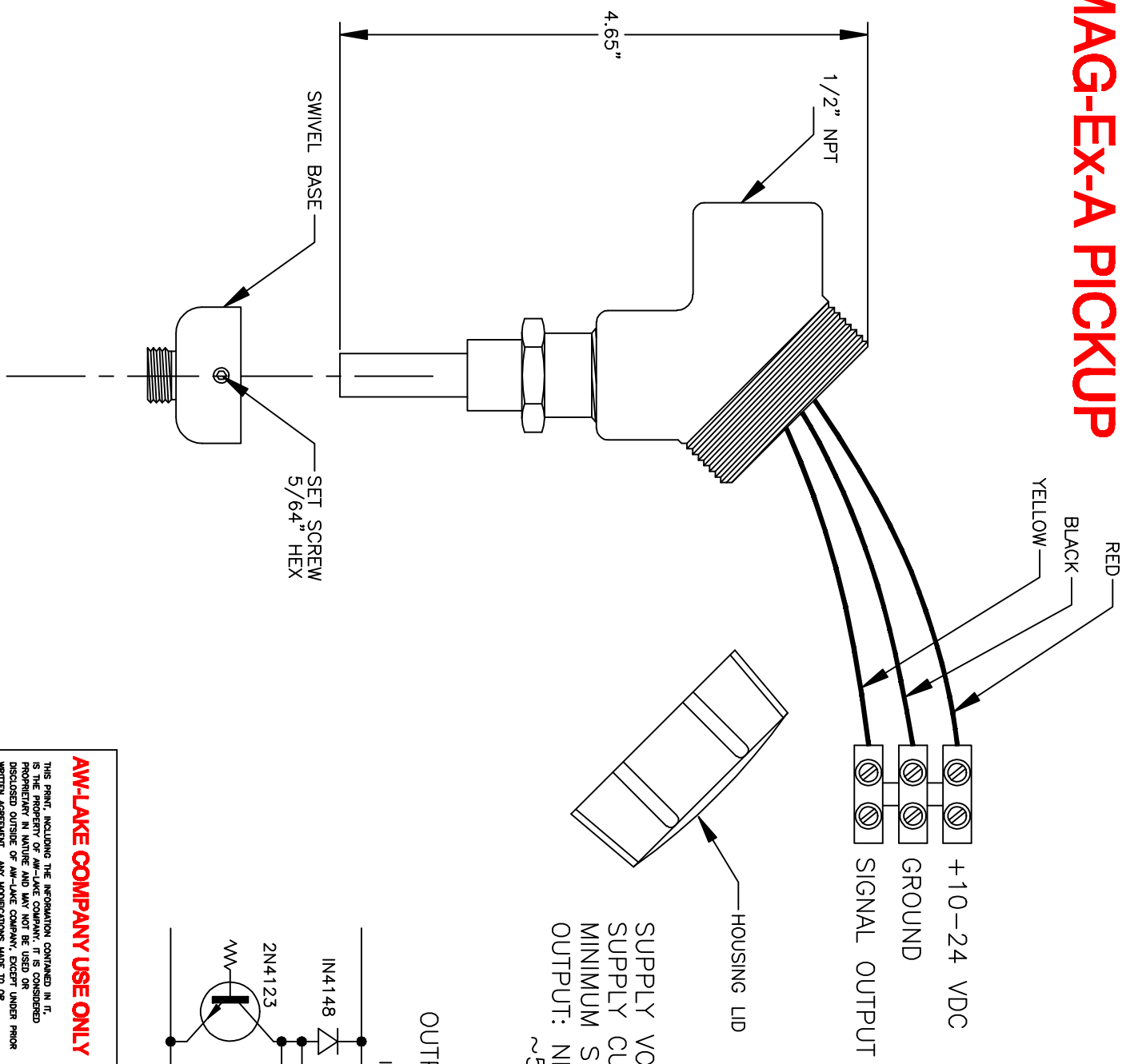
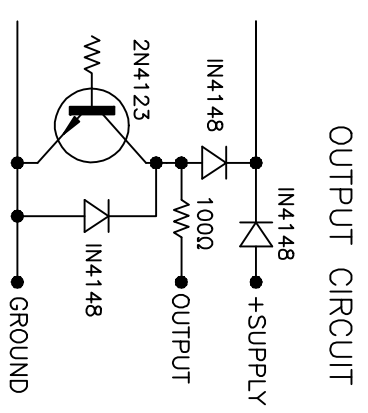


MAG-EX-A PICKUP




SUPPLY VOLTAGE: 10-24 VOLT DC
 SUPPLY CURRENT: 5mA
 MINIMUM SIGNAL: 2 Hz
 OUTPUT: NPN SINKING
 ~50% DUTY CYCLE SQUARE WAVE



AW-LAKE COMPANY USE ONLY

THIS PRINT, INCLUDING THE INFORMATION CONTAINED IN IT, IS THE PROPERTY OF AW-LAKE COMPANY. IT IS CONSIDERED PROPRIETARY IN NATURE AND MAY NOT BE USED OR DISCLOSED OUTSIDE OF AW-LAKE COMPANY, EXCEPT UNDER PRIOR WRITTEN AGREEMENT. ANY MODIFICATIONS MADE TO OR COMMENTS WRITTEN ON THIS DRAWING BY UNAUTHORIZED PERSONNEL WILL VOID THIS DRAWING.

	
AW-LAKE COMPANY 8908 INDUSTRIAL DRIVE TOWNSEND, MA 01469 TEL: (978) 984-3500 FAX: (978) 984-9810	PART NUMBER: AP04375A DRAWN BY: SHANE WILSON SCALE: NONE
TITLE: MAG-EX-A PICKUP DRAWING NUMBER: MAGE300E DATE: 12-23-99 REV: D1 CHECKED BY: C.H.	PAGE: 1 OF 1