



Pyxis Lab, Inc.

Pyxis Bluetooth/Wifi Adapter Instruction Manual

Version 1.1 Mar., 2017

Pyxis Lab, Inc.
120 Jeffrey Ave
Holliston, MA 01746 USA
www.pyxis-lab.com
service@pyxis-lab.com

Introduction

The Pyxis Bluetooth/Wifi adapter MA-WB is used to provide a wireless connection between the ST/EM series inline probes and a computer, a smart phone, or other Pyxis handheld meters.



1. Specification

- Power Supply Required: 24 (± 2) VDC @ 10 mA, sourced from the probe power supplier
- Signal Output: RS-485 Modbus RTU over Bluetooth or Wifi
- Temperature, Ambient during operation: 40 – 120 °F (4 – 49 °C)
- Temperature, Ambient during storage: 20 – 140 °F (-7 – 60 °C)
- Cable Length: 13.4 inch (34 cm), terminated with IP67 connectors
- Water proof
- Dimension: 0.35 in (9 mm) (L) x 0.24 in (6 mm) (W) x 0.16 in (4 mm) (H)
- Weight: 0.10 pounds (45 grams)

2. Power and Connect Bluetooth/Wifi Adapter

Figure 1 shows that a Bluetooth/Wifi adapter is inserted between a ST-500 probe and a controller, where the adapter and probe source 24 VDC power.

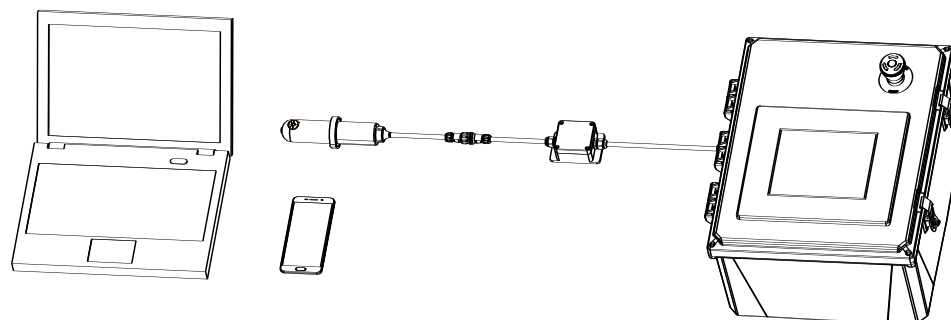


Figure 1. ST-500 connected to computer or smart phone via WiFi/Bluetooth/Wifi adapter

3. Application

The Bluetooth/Wifi adapter is required to for connecting a smart phone or a computer to the ST series probes. Detailed instructions for calibration, diagnosis, and firmware upgrade using the adapter are provided in the individual Pyxis device instruction manual.

App/Software	Description	Platform
uPyxis	An app for connecting ST series probes to a smart phone for calibration and diagnosis	iPhone 4S and iOS 9.3 Android 4.3
Probe Configurator/Wifi	A PC software for calibration, diagnosis, and firmware upgrade of ST series probes via Wifi connection	Windows 7 and above
Nebula	A PC software for calibration, diagnosis, and firmware upgrade of ST series probes and Pyxis handheld meters via Wifi or/and Bluetooth connections	Windows 7 and above

Contact Us

Pyxis Lab, Inc.
 120 Jeffrey Ave
 Holliston, MA 01746 USA
www.pyxis-lab.com

service@pyxis-lab.com