

Diaphragm-Type Sanitary Gauge

Type M932.25 - Dry Case

Type M933.25 - Liquid Filled Case

WIKA Datasheet M93X.25

Applications

- Pharmaceutical Industry
- Biotechnology
- Food & Beverage

Standard Features

Design

External, flush diaphragm with Tri-Clamp® connection, requires hydraulic fluid to transmit pressure to instrument. Unit is autoclaveable when dry case and polysulfone window are specified.

Process Connection

¾" & 1" Tri-Clamp® per ASME BPE, Type A

Pressure Ranges

1,200 psi maximum, limited by installed clamp rating

Operating Temperature

Media: +10°C to 100°C (standard)
(>100°C available - consult factory)
Stainless steel case with vent plug
Ambient: +10°C to 60°C

Gauge Size

2½", lower mount

Dial

White aluminum with black lettering

Accuracy (Ref. 73°F)

±2/1/2% full span (ASME B40.100, Grade A)

Available Options (Connections, materials, etc.):

See Selection Guide on page 3

Temperature Error (Ref. 73°F)

±1.3 psi / 18°F (10°C)



Fig. left M93X.25 Sanitary Gauge
Fig. right Clean Steam Assembly

Wetted Parts

316L SS, electro-polished
RA ≤ 15 µin (except weld seam)

System Fill (FDA Approved)

Glycerine, 99.7%: Non-vacuum applications
Mineral Oil, Neobee M20,
350cST Food Grade Silicon Oil

Material Identification and Heat Numbers

Engraved in seal body or gauge case

Case Material

Polished stainless steel case with vent plug
and stainless steel polished ring

Window

Standard polycarbonate
Polysulfone available (with dry case & weep holes)

Serial Number

Engraved on back of case

Pointer

Black aluminum

Documentation

Calibration Conformance Report supplied with each assembly (not a direct substitute for NIST certificate).
Material Conformance documents supplied with each assembly (not a substitute for 3.1 material certificate)

Available Options

See selection guide (over)

Glycerine case fill

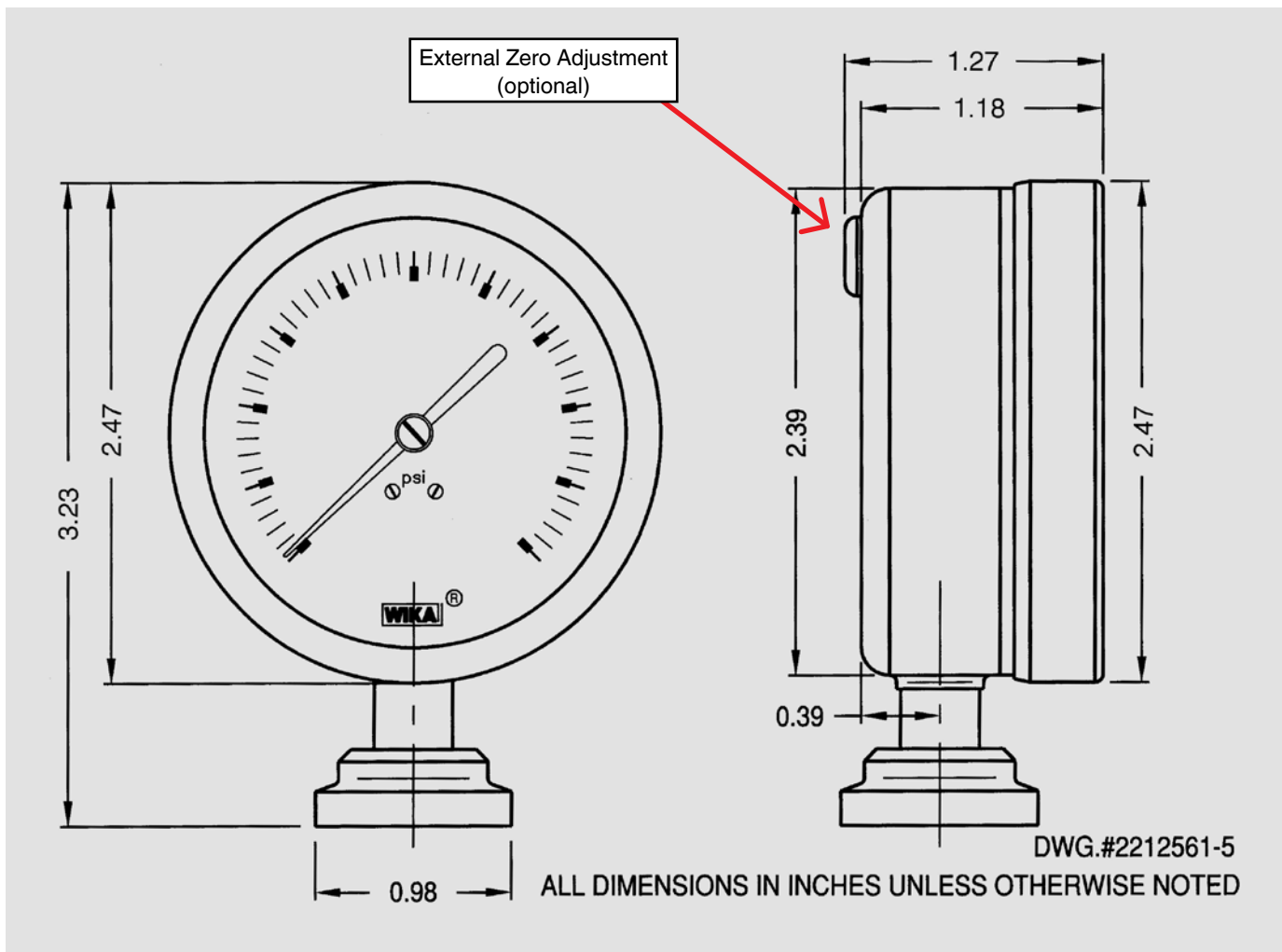
External zero adjust

Autoclaveable (dry case only, weepholes)

Clean steam assembly with integral cooling element

EPDM gasket (consult factory)

To determine the effects of temperature and response time in a specific application, contact the factory for an **Application Questionnaire**. The information provided will allow WIKA Technical Support to accurately model your application parameters using state-of-the-art computer simulation techniques.



M93X.25 Selection Guide

Field no.	Code	Description - 2½" Gauge with Diaphragm Seal - all SST Internals	Field no.	Code	Description - 2½" Gauge with Diaphragm Seal - all SST Internals
1	Pressure Range		4	Wetted Parts Material	
	C030	-30 inHg ... 30 psi Compound range		ES	Electropolished 316L SS (1.4435) Ra ≤ 15 μin (except for weld seam)
	C060	-30 inHg ... 60 psi Compound range		HC	Hastelloy C276 (2.4819)
	C100	-30 inHg ... 100 psi Compound Range		XX	Other - consult factory
	C160	-30 inHg ... 160 psi Compound Range	5	System Fill	
	P030	30 psi Gauge pressure range		07	KN7 - Glycerine 99.7% USP (1000 cst) - FDA 21 CFR 182.1320 (see note 1)
	P060	60 psi Gauge pressure range		59	KN59 - Neobee M20 - FDA 21 CFR 172.856, 174.5
	P100	100 psi Gauge pressure range		92	KN92 - Mineral Oil LubePharm (23 cst) - FDA 21 CFR 172.878, 178.3620 (a); USP, EP
	P160	160 psi Gauge pressure range		93	KN93 - Silicone Oil DC200 (350 cst food grade) - FDA 21 CFR 173.340
	P200	200 psi Gauge pressure range		XX	Other - consult factory
	P300	300 psi Gauge pressure range		6	Window Material
	P400	400 psi Gauge pressure range	LPC		Polycarbonate
P600	600 psi Gauge pressure range	LPS	Polysulfone		
XXXX	Other - consult factory	3	Options (see note 2)		
Pressure Units			FGL	Glycerine case fill - change model # to M933.25	
PX	PSI - Single scale		XMT	Material Certificate 3.1 EN10204 (metal only) (see note 3)	
PC	PSI outside / KG/CM ² inside in red		WSS	Instrument tag, Stainless steel	
PK	PSI outside / KPA inside in red	DZA	External Zero Adjust		
PB	PSI outside / BAR inside in red	CE1	Integral cooling element (T _{max} 300°F, clean steam assembly)		
SP	Special scale	XAC	Autoclave design, case with 2 weep holes (see note 4)		
Process Connection		7	XNI	NIST - Certificate of Calibration	
75	¾" Tri-Clamp® connector				
10	1" Tri-Clamp® connector				
XX	Other - consult factory				

Notes:

- 1) Glycerine (07) is not available for vacuum & compound pressure measurement ranges or autoclave design. Consult factory for exceptions.
- 2) List options in alphabetical order at the end of the configuration code.
- 3) All product under this model series is provided with calibration protocol, electro-polished finish, and material based information report as standard.
- 4) Autoclave design requires Polysulfone window (WPS) and dry gauge case (932.25).

Order Code:

M932.25 . 1 2 . **LM** . 3 . 4 . 5 . 6 . 7

*Additional order details _____

NOTE: If gauge is to be used in Autoclave, order a dry case and polysulfone window.

Specifications given in this price list represent the state of engineering at the time of printing. Modifications may take place and the specified materials may change without prior notice.

Ordering information

Pressure gauge model / Nominal size / Scale range / Size of connection / Optional extras required.
Specifications and dimensions given in this leaflet represent the state of engineering at the time of printing.
Modifications may take place and materials specified may be replaced by others without prior notice.



WIKA Instrument, LP
1000 Wiegand Boulevard
Lawrenceville, GA 30043-5868
Tel: 888-WIKA-USA • 770-513-8200
Fax: 770-338-5118
E-Mail: info@wika.com
www.wika.com