

Diaphragm-Type Sanitary Gauge Type M932.2C

WIKA Datasheet M932.2C

Applications

- Pharmaceutical Industry
- Biotechnology
- Food & Beverage

Standard Features

Design

Type M932.2C sanitary gauge assembly provides a 3/4" Tri-Clamp® process connection welded to a 1½" or 2" stainless steel gauge. This assembly meets the criteria set by "3A". This gauge is ideal for applications in the food & beverage, pharmaceutical and biotechnology industries.

Process Connection

3/4" Tri Clamp®

Pressure Ranges

1,500 psi maximum limited by installation clamp rating

Operating Temperature

Media: +10°C to 100°C
Ambient: +10°C to +60°C

Gauge Size

1½" or 2", lower and back mount

Dial

White aluminum with black lettering

Accuracy (Ref. 73°F)

±3/2/3% of span (ASME B40.100 Grade B)

Wetted Parts

316L SS

System Fill (FDA approved)

Glycerine, KN 7 - non-vacuum application
Mineral oil, KN 92 - vacuum application



M932.2C Sanitary Gauge

Case Material

304 SS and stainless steel ring

Window

1½": Standard acrylic
2": Standard glass

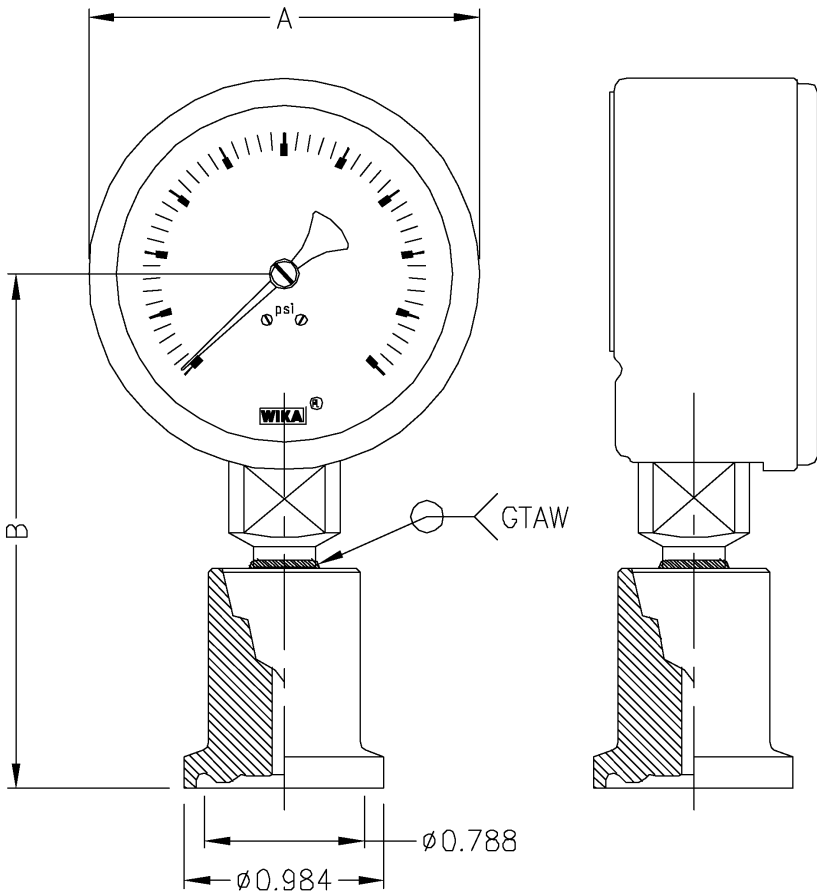
Pointer

Black aluminum

Available Options

See selection guide (over)
EPDM gasket (consult factory)

To determine the effects of temperature and response time in a specific application, contact the factory for an **Application Questionnaire**. The information provided will allow WIKA Technical Support to accurately model your application parameters using state-of-the-art computer simulation techniques.



(1)=NOMINAL SIZE
 ALL DIMENSIONS IN INCHES
 UNLESS OTHERWISE NOTED

DIAL SIZE	A(1)	B
1-1/2"	1.5	2.62
2"	2.0	2.85

