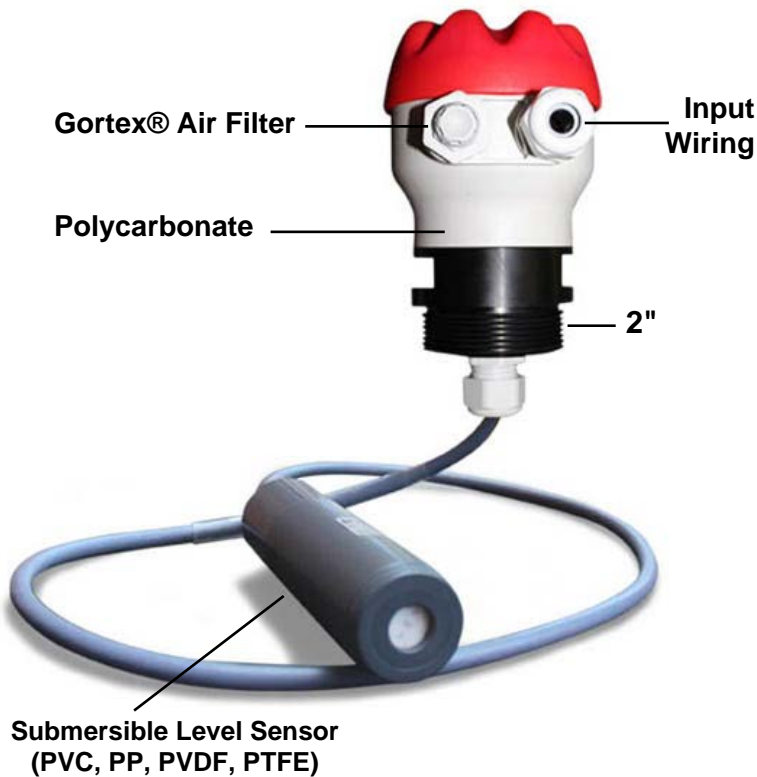
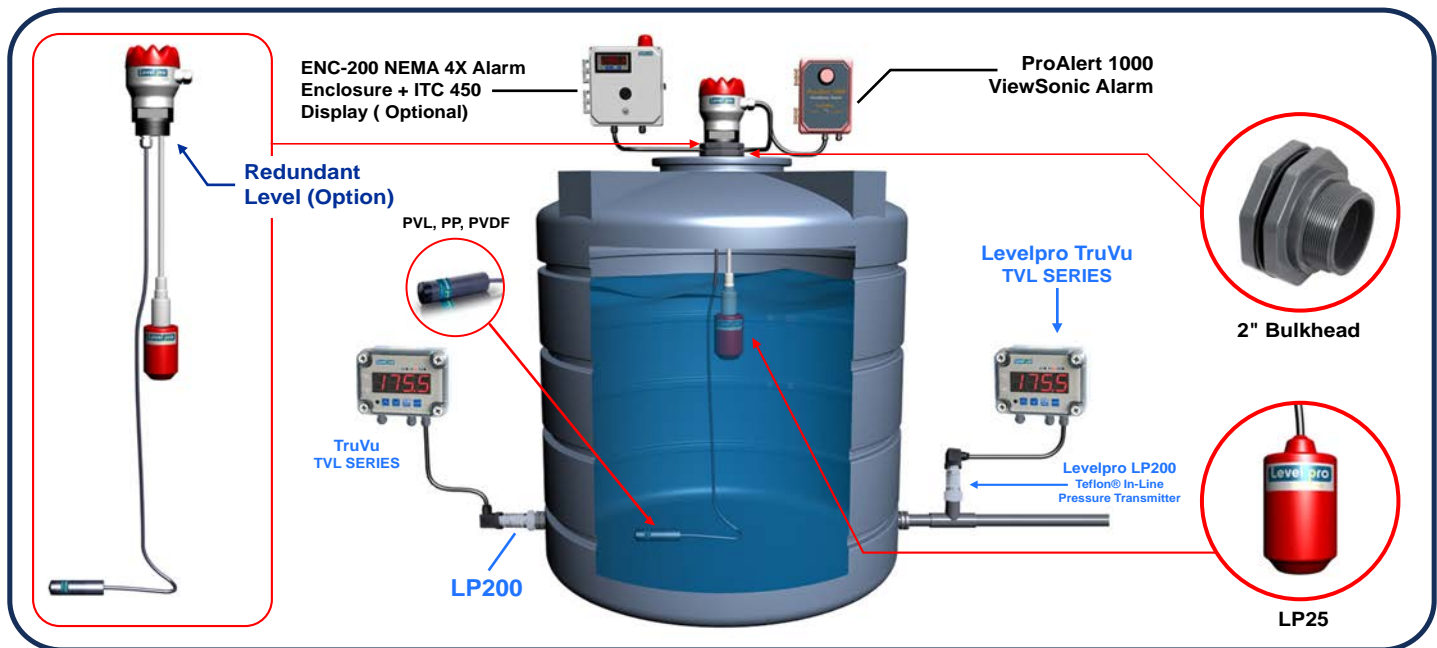


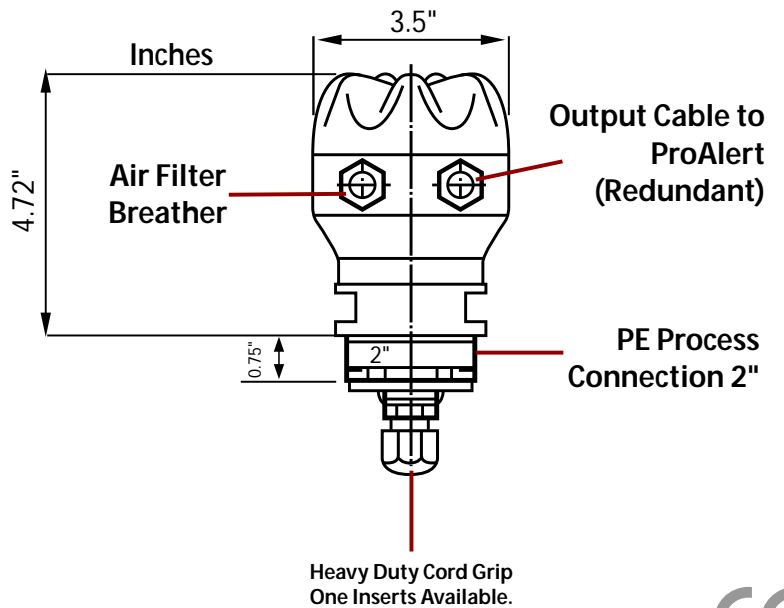
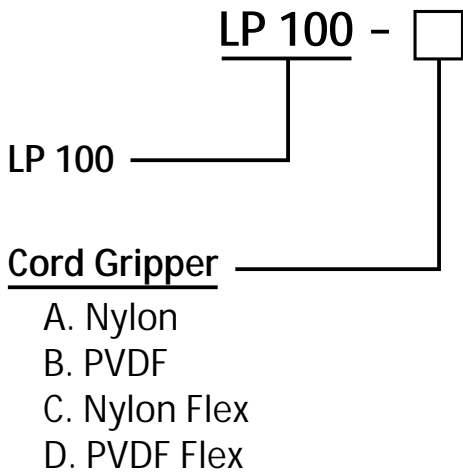
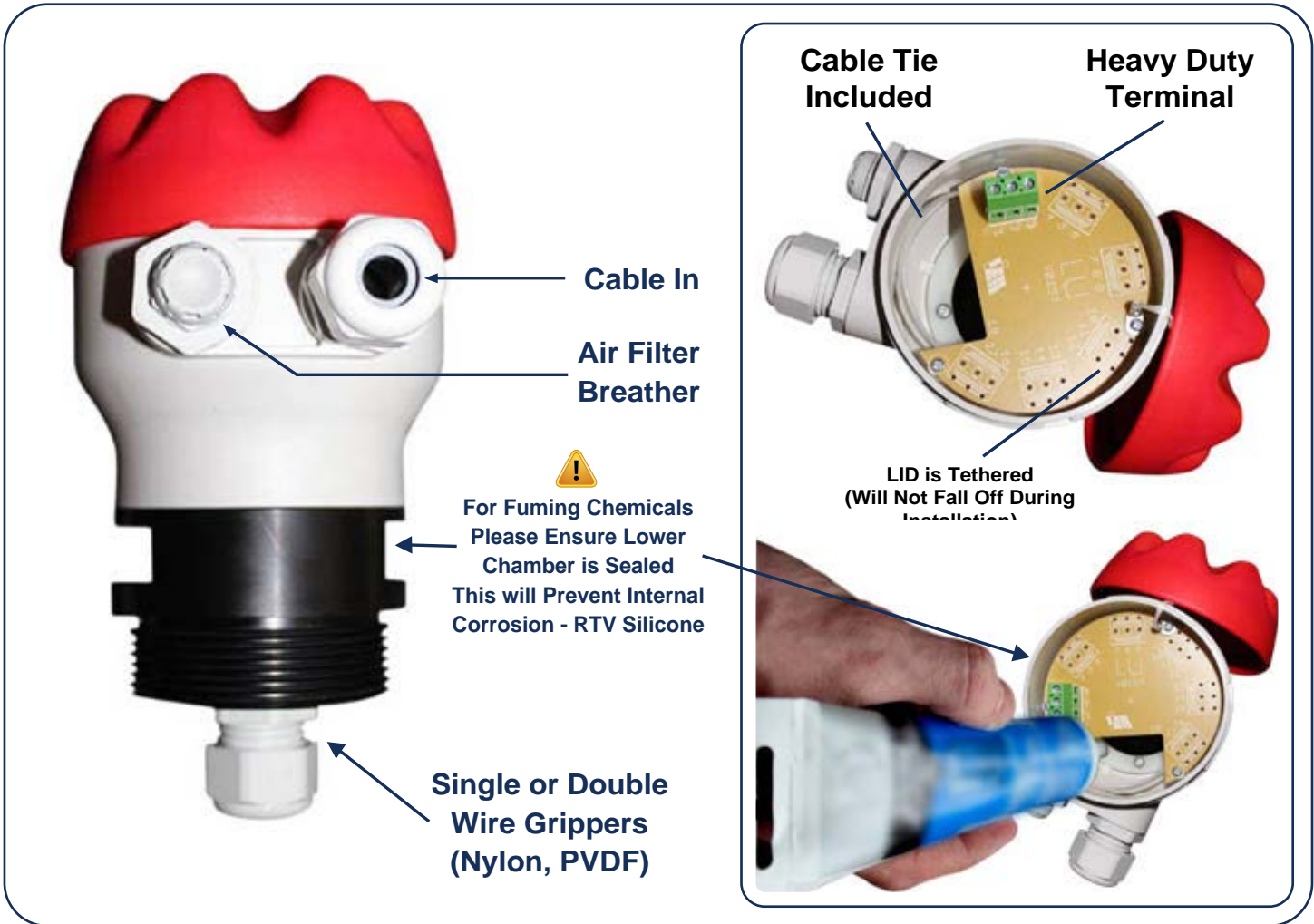
Level Installation Fitting

The Perfect Mate for All Plastic Levelpro Sensors



- All Plastic NEMA 4X Enclosure.
- Threaded Polyethylene Connection
- Light Weight GRP-(Glass Reinforced Polycarbonate)-High Impact
- Excellent Chemical Resistance
- Weather Resistant





Contact Us For Assistance

! For Fuming Chemicals Please Ensure Lower Chamber is Sealed This will Prevent Internal Corrosion - RTV Silicone.

