

## Product Features

- Continuous loop powered 4-20 mA operation
- Remote DIN Rail mounted transmitter, up to 1000 ft away
- Compact hermetically sealed, vibration resistant construction
- 1/2" NPT thread standard, others available
- Probe PFA clad or stainless steel 316 bare
- Cable extension or M12 Micro-Connector
- Accuracy 1% of span for same dielectric

## Description

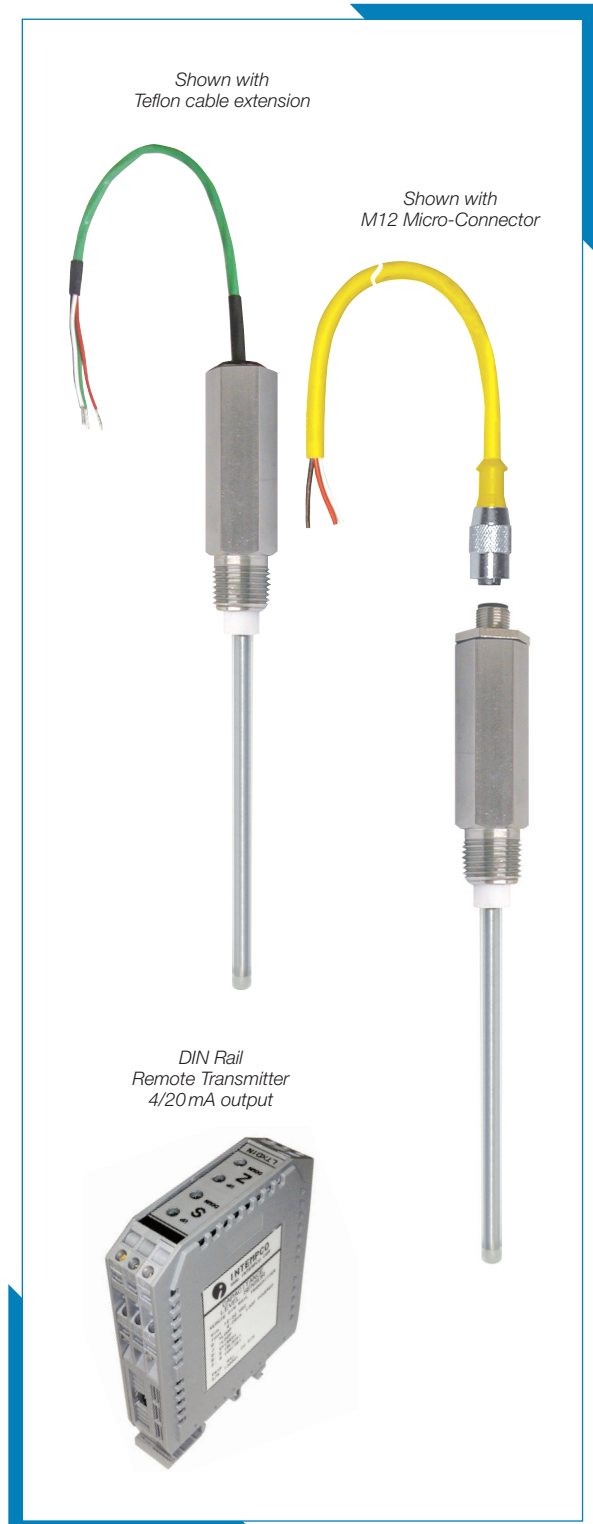
Intempco's model LTX50 two-wire level transmitters are compact in design and ideal where installation space is limited or where tanks are small. They are also excellent for mobile equipment applications. The LTX50 can be used to measure level of conductive or non-conductive liquids in metal tanks. In non-metallic tanks, a ground reference electrode must be used, or refer to our model LTX60.

The LTX50 works on the RF principle and monitors level change by converting movement of media up or down the probe into pulse wave form which is proportional to changes in level. The amplifier converts this pulse wave into a 4 to 20 mA output signal.

The LTX50 comes complete with housing/fitting, probe, cable or connector and DIN rail remote transmitter. Signal electronics are protected and potted within a metal fitting. The connection between the sensor and the remote transmitter is made via a 3-conductor cable which can be up to a 1000 feet (300 meters) long. The calibration is accomplished via four push buttons, located on transmitter.

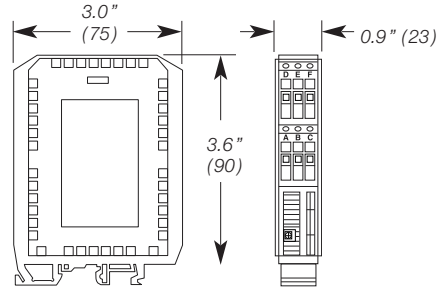
## Applications / Process Notes

- Ideal in limited space installations
- Ideal for mobile equipment
- Ideal for all water based liquids
- Ideal for ethanols and methanols
- Ideal in acids compatible with stainless steel 316 and PFA Teflon®
- Ideal in pharmaceutical applications
- Ideal in chemical holding tanks
- On-site calibration may be required
- Not recommended where material dielectric varies due to change of temperature or pressure

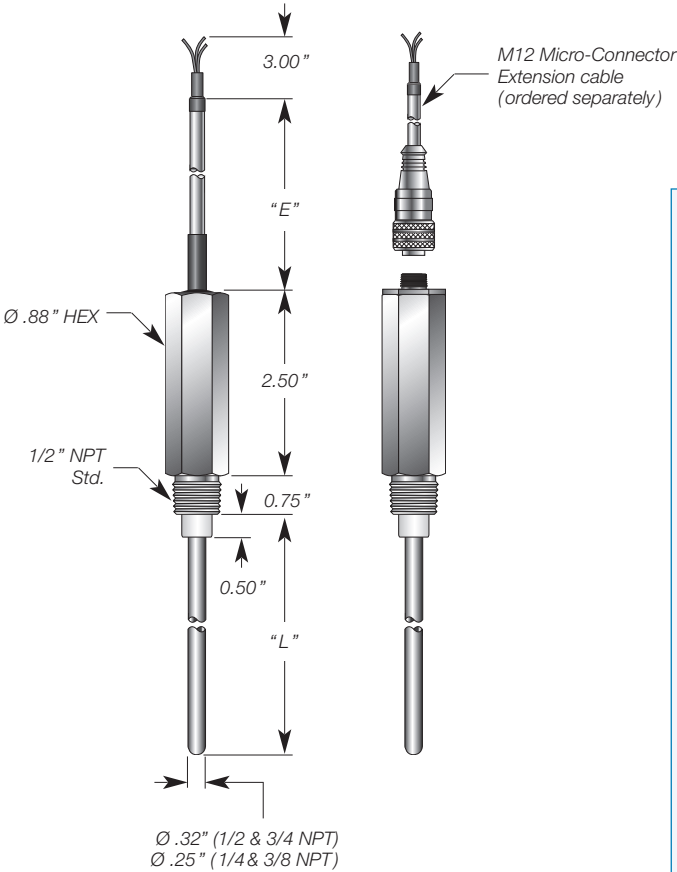


# Model LTX50

Miniature Capacitance Level Transmitter  
w/4-20 mA Output



DIN Rail Remote Transmitter



### Electrical Specifications

- Supply Voltage :** 12VDC-30VDC
- Output :** 4-20mA, loop powered
- Maximum Loop Res.:**  $[V_s - 10] / 0.02$  (i.e. 700Ω @ 24VDC)
- Calibration :** Via 4 push-button switches non-interactive Zero and Span
- Capacitance Range :** 10pF to 10000pF
- Accuracy :** ± 1% of full span (constant dielectric)
- Repeatability :** ± 0.1 % of span
- Damping Adjust :** 0-30 sec.
- Ambient Temperature :** -40 to 70°C (-40 to 158°F)
- Electrical Termination :** Cable or M12 Micro-Connector std., others available

### Mechanical Specifications

- Wetted Materials :** Stainless steel 316 and PFA Teflon®
- Mounting Thread :** Fitting stainless steel 316,
- Process Temperature:** 200°C max (392°F)
- Pressure Limits:** 100 psi (7 bar) @ 25°C (77°F)  
50 psi (3.5 bar) @ 100°C (212°F)  
14.5 psi (1 bar) @ 200°C (392°F)
- Probe Material :** PFA Teflon® jacketed or bare SS316
- Environmental Protection :** IP67 (NEMA 6 equivalent)

## Custom Builder

Teflon® is a registered trademark of E.I. du Pont de Nemours and Company.

MODEL    1    2    3    4    5    6

LTX50 - [ ] - [ ] - [ ] - [ ] - [ ] - [ ]

BOX1 CODE	Output
DN	4-20mA, Loop Powered Remote DIN Rail Module

BOX2 CODE	Extension
PV	PVC Insulation, 90°C (195°F) max.
TF	Teflon® Insulation, 200°C (392°F) max.
TA	Teflon® w/SS Armor, 200°C (392°F) max.
TS	Teflon® w/SS Overbraid, 200°C (392°F) max.
M5	M12 Micro-Connector 5 pin male

Other extensions available. Consult factory.

BOX3 CODE	Extension Cable Length "E" (M5 option)
N	None
A2	Straight, 2 meters
A5	Straight, 5 meters
B2	Right angle, 2 meters
B5	Right angle, 5 meters
Extension Cable Length "E" (Cable option)	
---	In feet Ex.: <b>060</b> = 60 ft long (max. 999ft)

BOX4 CODE	Fitting Type
F14S	1/4" NPT, SS316 male
F38S	3/8" NPT, SS316 male
F12S	1/2" NPT, SS316 male
F34S	3/4" NPT, SS316 male

Other fittings available. Consult factory.

BOX5 CODE	Probe Material
A	PFA Teflon® clad (for conductive & non-conductive liquids)
B	Stainless Steel 316 (for non-conductive liquids only)

BOX6 CODE	Probe Length "L"
---	In 0.1 inch increments (36" max.) Ex.: <b>045</b> = 4.5" long