

Autonics TIMER LE4SA INSTRUCTION MANUAL



Thank you very much for selecting Autonics products.
For your safety, please read the following before using.

Safety Considerations

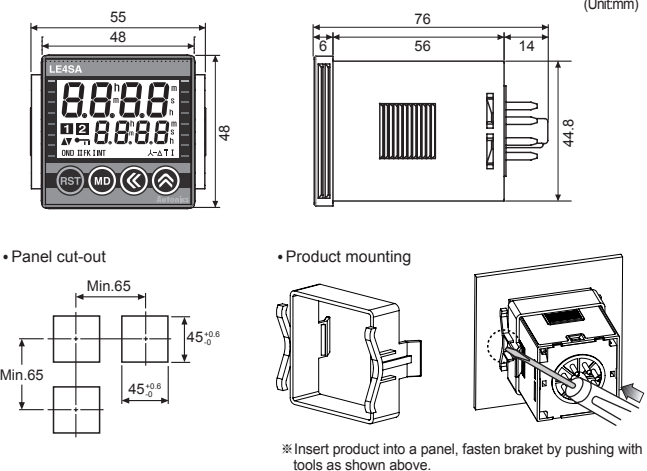
- Please keep these instructions and review them before using this unit.
 - Please observe the cautions that follow:
 - Warning** Serious injury may result if instructions are not followed.
 - Caution** Product may be damaged, or injury may result if instructions are not followed.
 - The following is an explanation of the symbols used in the operation manual.
 - Caution** Injury or danger may occur under special conditions.
- Warning**
- Fail-safe device must be installed when using the unit with machinery that may cause serious injury or substantial economic loss.** (e.g. nuclear power control, medical equipment, ships, vehicles, railways, aircraft, combustion apparatus, safety equipment, crime/disaster prevention devices, etc.) Failure to follow this instruction may result in fire, personal injury, or economic loss.
 - Install on a device panel to use.** Failure to follow this instruction may result in electric shock or fire.
 - Do not connect, repair, or inspect the unit while connected to a power source.** Failure to follow this instruction may result in electric shock or fire.
 - Check 'Connections' before wiring.** Failure to follow this instruction may result in fire or explosion.
 - Do not disassemble or modify the unit.** Failure to follow this instruction may result in electric shock or fire.
- Caution**
- When connecting the power/sensor input and relay output, use AWG 20(0.50mm²) cable or over and tighten the terminal screw with a tightening torque of 0.74 to 0.90N·m.** Failure to follow this instruction may result in fire or malfunction due to contact failure.
 - Use the unit within the rated specifications.** Failure to follow this instruction may result in fire or product damage.
 - Use dry cloth to clean the unit, and do not use water or organic solvent.** Failure to follow this instruction may result in electric shock or fire.
 - Do not use the unit in the place where flammable/explosive/corrosive gas, humidity, direct sunlight, radiant heat, vibration, impact, or salinity may be present.** Failure to follow this instruction may result in fire or explosion.
 - Keep metal chip, dust, and wire residue from flowing into the unit.** Failure to follow this instruction may result in fire or product damage.

Ordering Information

L	E	4	S	A
Output	Time limit contact 1c			
A	Time limit contact 2c, Instantaneous contact 1c + Time limit contact 1c(Selectable)			
S	DIN W48mm×H48mm			
4	9999(4 Digit type)			
E	Timer			
L	LCD Display			

* 8 Pin socket(PG-08, PS-08): Sold separately

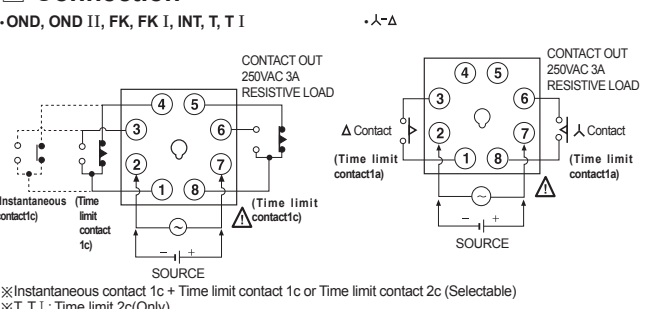
Dimensions



Specifications

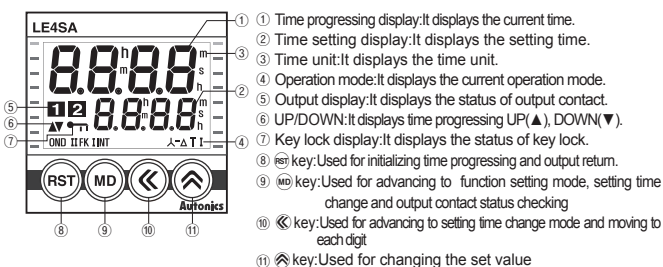
Model		LE4SA
Power supply	24-240VAC~ 50/60Hz, 24-240VDC=	
Display method	LCD Display(Backlight)	
Allowable voltage range	90 ~ 110% of rated voltage	
Power consumption	24-240VAC~: Max. 4VA, 24-240VDC=: Max. 1.6W	
Return time	Max. 100ms	
Control output	Type	Time limit DPDT(2c), Time limit SPDT(1c)+Instantaneous contact SPDT(1c): Selectable
	Capacity	250VAC~ 3A resistive load
Repeat Setting-Voltage-Temperature error	Max. ±0.01% ±0.05 sec	
Ambient temperature	-10 ~ 55°C (at non-freezing status)	
Storage temperature	-25 ~ 65°C (at non-freezing status)	
Ambient humidity	35 ~ 85%RH	
Insulation resistance	Min. 100MΩ(500VDC megger)	
Dielectric strength	2,000VAC 50/60Hz for 1 minute	
Vibration	Mechanical	0.75mm amplitude at frequency of 10 ~ 55Hz in each of X, Y, Z directions for 1 hour
	Malfunction	0.5mm amplitude at frequency of 10 ~ 55Hz in each of X, Y, Z directions for 10 minutes
Shock	Mechanical	300m/s ² (30G) X, Y, Z directions for 3 times
	Malfunction	100m/s ² (10G) X, Y, Z directions for 3 times
Relay life cycle	Mechanical	Min. 10,000,000 times
	Electrical	Min. 100,000 times(250VAC 3A resistive load)
Approval	CE, c, US	
Weight	Approx. 98g	

Connection

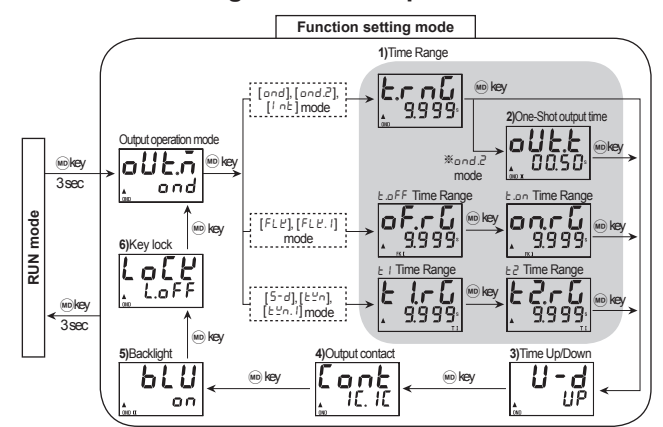


*The above specifications are subject to change and some models may be discontinued without notice.
*Be sure to follow cautions written in the instruction manual and the technical descriptions (catalog, homepage).

Front Panel Identification



Function Setting Mode Descriptions



1) Time Range

Parameter	Time range specification
9.999s(9.999s)	0.010 sec ~ 9.999 sec
99.99s(99.99s)	0.01 sec ~ 99.99 sec
999.9s(999.9s)	0.1 sec ~ 999.9 sec
9999s(9999s)	1 sec ~ 9999 sec
99.959s(99m59s)	0 min 01 sec ~ 99 min 59 sec
999.9m(999.9m)	0.1 min ~ 999.9 min
9999m(9999m)	1 min ~ 9999 min
99.959h(99h59m)	0 hour 01 min ~ 99 hour 59 min
99.99h(99.99h)	0.01 hour ~ 99.99 hour
999.9h(999.9h)	0.1 hour ~ 999.9 hour
9999h(9999h)	1 hour ~ 9999 hour

2) One-Shot output time setting

It will be activated when selecting ON Delay 2(One-Shot Output mode). (Time setting: 0.01 sec ~ 99.99 sec)

3) Time progress UP/DOWN setting

UP[UP]: Time progressed from 0 to setting time.
DOWN[DN]: Time progressed from setting time to 0.

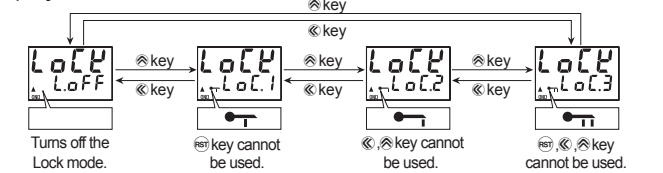
4) Output contact setting

Set the relay contact (No.1, 3, 4 pin) to Instantaneous or Time limit.
[IC, IC]: Instantaneous 1c, Time limit 1c, [2C]: Time limit 2c.
It is fixed to Time limit 2c in star-delta, Twin and Twin 1 modes.
*If key press on RUN mode, [IC, IC] or [2C] will be displayed depend on the status of output contact on time setting display.

5) Backlight setting

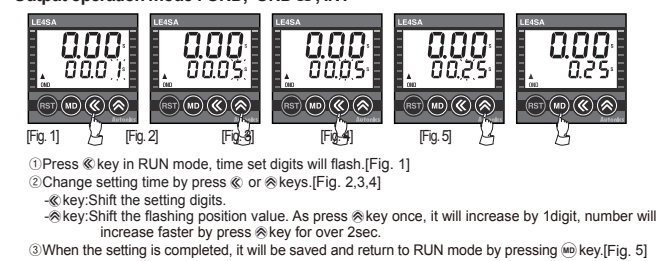
Set Backlight (ON[on], OFF[off]).

6) Key Lock selection

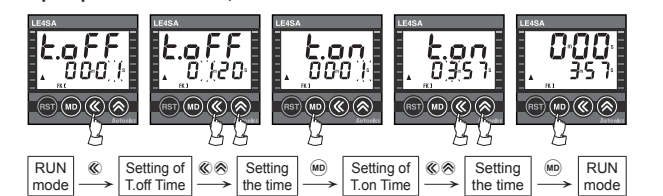


Time Setting

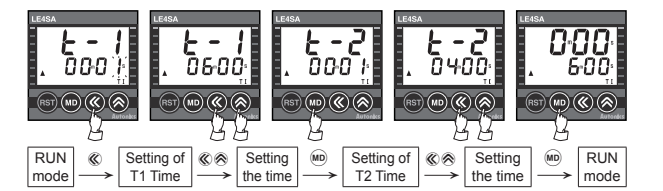
Output operation mode : OND, OND II, INT



Output operation mode : FK, FK I



Output operation mode : Δ, Δ, T, T I

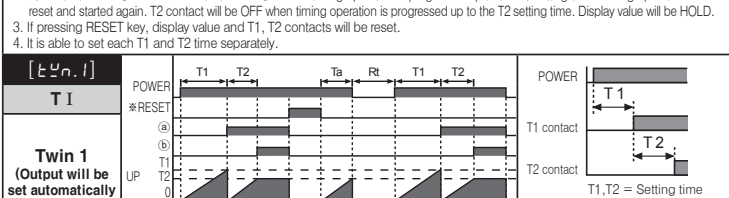
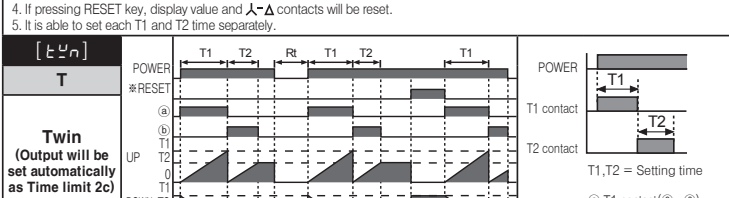
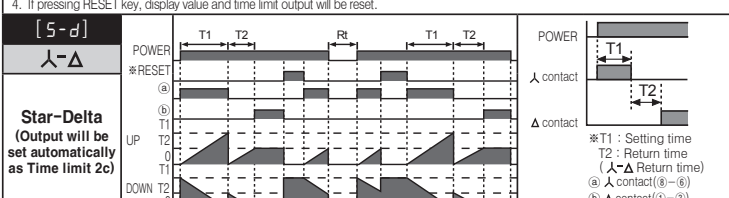
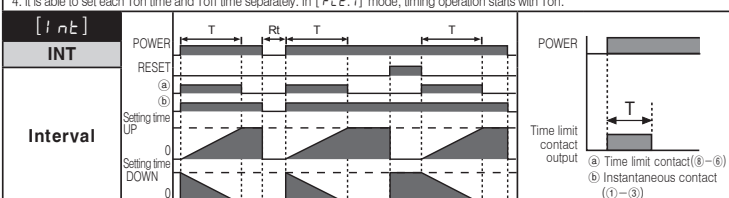
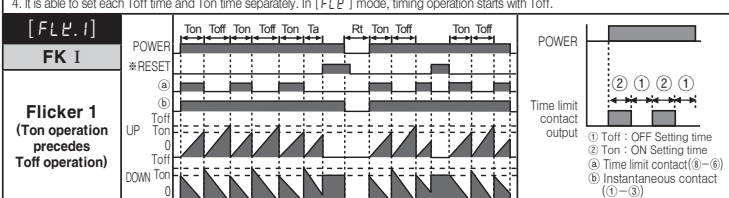
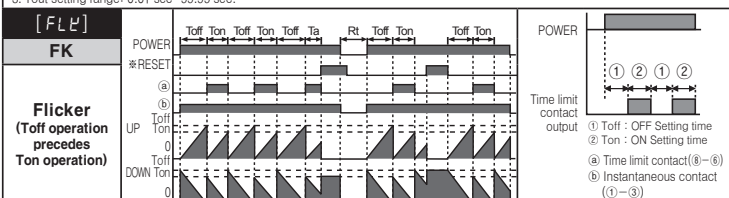
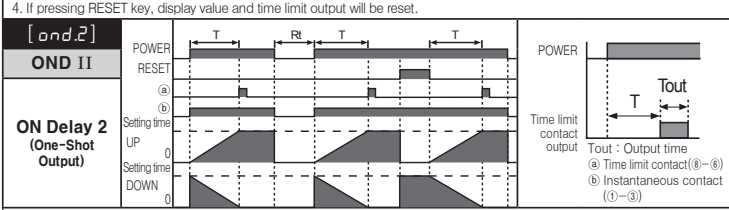
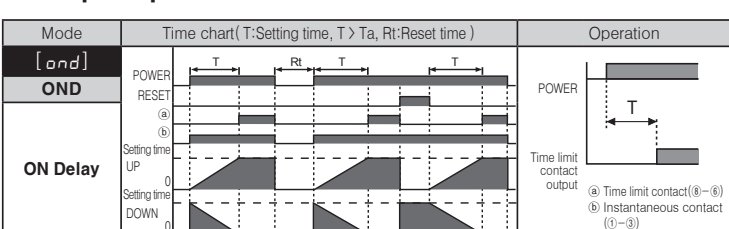


*Setting time changes can be made during timing operation. Make sure that timing operation is continuously progressed while changing the setting time.
*If pressing key while setting time is shorter than min. setting time, setting value will be flickering three times and it will be returned to setting mode again, not to RUN mode.
*If there is no additional key operations after entering into setting mode, it will be return to RUN mode.(Setting value is not saved.)
*Min. Setting time: 0.01 sec.(In case of OND and OND II modes, it is able to set 0 since no min. setting time is applied.)

Factory Default

NO.	Parameter	Default
1	Output operation mode	ond
2	Time Range	99.99s
3	Time Up/Down	UP
4	Output contact	IC, IC
5	Backlight	on
6	Key Lock	LoC1
7	Setting time	50.00s

Output Operation Mode



*Reset: Up mode -> Display value is '0', Output is 'OFF'.
DOWN mode -> Display value is 'setting time', Output is 'OFF'.

Cautions during Use

- Follow instructions in 'Cautions during Use'. Otherwise, it may cause unexpected accidents.
- When supplying or turning off the power, use a switch or etc. to avoid chattering.
- Install a power switch or circuit breaker in the easily accessible place for supplying or disconnecting the power.
- Keep away from high voltage lines or power lines to prevent inductive noise. In case installing power line and input signal line closely, use line filter or varistor at power line and shielded wire at input signal line. Do not use near the equipment which generates strong magnetic force or high frequency noise.
- This unit may be used in the following environments.
 - Indoors (in the environment condition rated in 'Specifications')
 - Altitude max. 2,000m
 - Pollution degree 2
 - Installation category II

Major Products

- Photoelectric Sensors
- Fiber Optic Sensors
- Door Sensors
- Door Side Sensors
- Area Sensors
- Proximity Sensors
- Pressure Sensors
- Rotary Encoders
- Connector/Socket
- Switching Mode Power Supplies
- Control Switches/Lamps/Buzzers
- I/O Terminal Blocks & Cables
- Stepper Motors/Drivers/Motion Controllers
- Graphic/Logic Panels
- Field Network Devices
- Laser Marking System (Fiber, Co₂, Nd: YAG)
- Laser Welding/Cutting System
- Temperature Controllers
- Temperature/Humidity Transducers
- SSRs/Power Controllers
- Counters
- Timers
- Panel Meters
- Tachometer/Pulse (Rate)Meters
- Display Units
- Sensor Controllers

Autonics Corporation
http://www.autonics.com

HEADQUARTERS:
18, Bansong-ro 513beon-gil, Haeundae-gu, Busan,
South Korea, 48002
TEL: 82-51-519-3232
E-mail: sales@autonics.com