



Diaphragm-Type Diaphragm Seal

Standard Clamped Diaphragm Seal

Type L990.TC

Diaphragm Seals

Application

Process industry diaphragm seal to combine with Bourdon tube pressure gauges. Intended for corrosive, contaminated, hot or viscous pressure media.

Design

Internal clamped diaphragm with threaded process connection; requires hydraulic fluid to transmit pressure to instrument

Process Connection

1/4" to 1" NPT-female or 1/4" to 3/4" NPT male

Instrument Connection

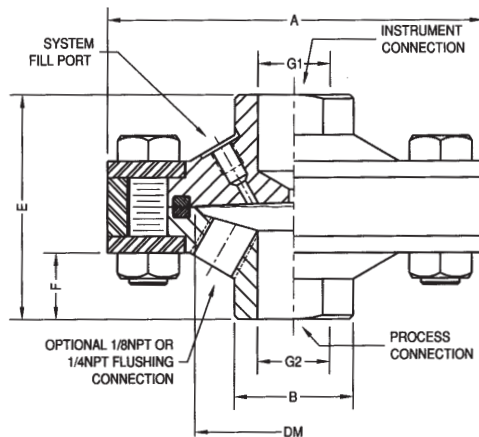
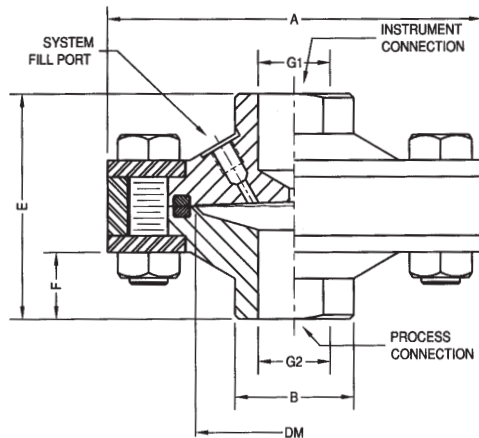
1/4" or 1/2" NPT-female

Suitable Pressure Ranges (MWP 2500PSI @250°F)

15 psi to 2500 psi

Available Options (connections, materials, flushing ports, etc.)

See Selection Guide (over)



G1: INSTRUMENT CONNECTION
G2: PROCESS CONNECTION
ALL DIMENSIONS IN INCHES UNLESS OTHERWISE NOTED

G1	G2	A	B	DM	E	F	WEIGHT
							lbs
1/4"NPT OR 1/2"NPT	1/4"NPT OR 1/2"NPT	3.74	1.18	2.1	2.20	0.63	3.0
	3/4"NPT		1.41				3.4
	1"NPT		1.77				3.6

DWG.#2211777-5

To determine the effects of temperature and response time in a specific application, contact the factory for an **Application Questionnaire**. The information provided will allow WIKA Technical Support to accurately model your application parameters using state-of-the-art computer simulation techniques.

ACS L990.TC
(ACS 99.01.T)

Selection Guide - 990.TC

990.TC,1/4X1/4F,CS,CS-0,CS,SS,VI

Notes

1. Includes previous type 990.10.506.
2. Includes previous type 990.10.502.
3. Teflon[®] lower housing available in welded diaphragm (type 990.10.501) design only. (MWP 200 PSI @ 200°F) Available with 1/4" or 1/2" NPT female process connections only.
4. Customer to supply flushing plug.
5. For all welded design (990.10.520) only.
6. Viton[®] diaphragm is available for clamped design only.
7. For titanium diaphragm welded to upper housing, a titanium upper housing is required.
8. For Teflon[®] lower housing and all welded design (990.10.520) only. All other lower housings require gaskets.
9. Standard material for stainless steel and carbon steel wetted parts is Viton[®] (400°F max.). Teflon[®] is standard for all other wetted parts (500°F max.). Silver-plated stainless steel gasket is used for high temperature applications (752°F max.).

*Items in **bold** are available from stock (subject to prior sales). For optional items, consult factory for current lead-time.*

Gasket Material (See note 8)

VI = Viton[®]
BN = Buna "N"
TF = Teflon[®], virgin
NA = None (See note 7)

Diaphragm Material

SS = 316L stainless steel
MO = Monel[®] 400
HB = Hastelloy[®] B-2
HC = Hastelloy[®] C-276
PF = 316 stainless steel, Teflon[®] coated
TF = 316 stainless steel, virgin Teflon[®] lined
TA = Tantalum
TI = Titanium, grade 2 (See note 6)
NI = Nickel 200
IN = Inconel[®] 600
IC = Incoloy[®] 825
CA = Carpenter[®] 20
VI = Viton[®] (See note 5)

Clamp & Support Material (Including nuts and bolts)

CS = Carbon Steel, zinc-plated
SS = Stainless steel
NA = None (See note 4)

Flushing Connection (See note 3)

0 = None
1 = 1/8" NPT female
2 = 1/4" NPT female

Lower Housing Material

CS = Carbon steel, nickel-plated
SS = 316 stainless steel
MO = Monel[®] 400
HB = Hastelloy[®] B-2
HC = Hastelloy[®] C-276
TF = Teflon[®], virgin (See note 2)
TI = Titanium, grade 2
NI = Nickel 200
IC = Inconel[®] 800
IC = Incoloy[®] 825
CA = Carpenter[®] 20

Upper Housing Material

CS = Carbon steel, nickel-plated
SS = 316 stainless steel
TI = Titanium, grade 2

Process Connection

1/4F = 1/4" NPT female
1/2F = 1/2" NPT female
3/4F = 3/4" NPT female
1.0F = 1" NPT female
1/4M = 1/4" NPT male
1/2M = 1/2" NPT male
3/4M = 3/4" NPT male

Instrument Connection

1/4 = 1/4" NPT female
1/2 = 1/2" NPT female

Diaphragm Seal Design

990.TC = Clamped Diaphragm (Pressure rating up to 2500PSI, see note 1)

Options not listed may be available, please consult factory.
Fill Fluid & Mounting options: Please reference data sheet ACS 99.MO.

Ordering Information:

State computer part number (if available) / type number / size / range / connection size and location / options required.

Specifications given in this price list represent the state of engineering at the time of printing. Modifications may take place and the specified materials may change without prior notice

05/01



WIKAL Instrument Corporation

1000 Wiegand Boulevard

Lawrenceville, Georgia 30043-5868

Tel: 770-513-8200 Fax: 770-338-5118

http://www.wika.com e-mail: chemseal@wika.com