



## OPTIFLUX 7300 Handbook

Electromagnetic flowmeter with non wetted electrodes and ceramic liner

All rights reserved. It is prohibited to reproduce this documentation, or any part thereof, without the prior written authorisation of KROHNE Messtechnik GmbH.

Subject to change without notice.

Copyright 2010 by  
KROHNE Messtechnik GmbH - Ludwig-Krohne-Str. 5 - 47058 Duisburg (Germany)

|          |   |           |
|----------|---|-----------|
| <b>1</b> | <b>Safety instructions</b>                      | <b>5</b>  |
| <hr/>    |   |           |
| 1.1      | Intended use .....                              | 5         |
| 1.2      | Safety instructions from the manufacturer ..... | 5         |
| 1.2.1    | Copyright and data protection .....             | 5         |
| 1.2.2    | Disclaimer .....                                | 5         |
| 1.2.3    | Product liability and warranty .....            | 6         |
| 1.2.4    | Information concerning the documentation .....  | 6         |
| 1.2.5    | Warnings and symbols used .....                 | 7         |
| 1.3      | Safety instructions for the operator .....      | 7         |
| <br>     |   |           |
| <b>2</b> | <b>Device description</b>                       | <b>8</b>  |
| <hr/>    |   |           |
| 2.1      | Scope of delivery .....                         | 8         |
| 2.2      | Nameplates .....                                | 9         |
| <br>     |   |           |
| <b>3</b> | <b>Installation</b>                             | <b>10</b> |
| <hr/>    |   |           |
| 3.1      | Notes on installation .....                     | 10        |
| 3.2      | Storage .....                                   | 10        |
| 3.3      | Transport .....                                 | 10        |
| 3.4      | Installation conditions .....                   | 11        |
| 3.4.1    | Inlet and outlet .....                          | 11        |
| 3.4.2    | Mounting position .....                         | 11        |
| 3.4.3    | Flange deviation .....                          | 12        |
| 3.4.4    | T-section .....                                 | 12        |
| 3.4.5    | Vibration .....                                 | 12        |
| 3.4.6    | Magnetic field .....                            | 13        |
| 3.4.7    | Bends .....                                     | 13        |
| 3.4.8    | Open discharge .....                            | 14        |
| 3.4.9    | Control valve .....                             | 14        |
| 3.4.10   | Air venting .....                               | 14        |
| 3.4.11   | Pump .....                                      | 15        |
| 3.4.12   | Temperatures .....                              | 15        |
| 3.5      | Mounting .....                                  | 16        |
| 3.5.1    | Torques and pressures sandwich versions .....   | 16        |
| 3.5.2    | Torques and pressures flanged versions .....    | 18        |
| <br>     |   |           |
| <b>4</b> | <b>Electrical connections</b>                   | <b>20</b> |
| <hr/>    |   |           |
| 4.1      | Safety instructions .....                       | 20        |
| 4.2      | Grounding .....                                 | 20        |
| 4.3      | Connection diagrams .....                       | 21        |
| <br>     |   |           |
| <b>5</b> | <b>Operation</b>                                | <b>22</b> |
| <hr/>    |   |           |
| 5.1      | Spare parts availability .....                  | 22        |
| 5.2      | Availability of services .....                  | 22        |
| 5.3      | Returning the device to the manufacturer .....  | 22        |

|  |    |
|--|----|
| 5.3.1 General information.....                               | 22 |
| 5.3.2 Form (for copying) to accompany a returned device..... | 23 |
| 5.4 Disposal .....   | 23 |
| <br>   |    |
| 6 Technical data .....                                       | 24 |
| <hr/>  |    |
| 6.1 Measuring principle.....                                 | 24 |
| 6.2 Technical data.....                                      | 25 |
| 6.3 Dimensions and weights .....                             | 36 |

## 1.1 Intended use

The measurement of volumetric flow rate of electrically conductive fluids. Basic measurement is the flow velocity upon which all other measurements are based.

The sensor includes a ceramic liner for high abrasion resistance and capacitive signal pick up for a lower minimum conductivity of the fluid.

## 1.2 Safety instructions from the manufacturer

### 1.2.1 Copyright and data protection

The contents of this document have been created with great care. Nevertheless, we provide no guarantee that the contents are correct, complete or up-to-date.

The contents and works in this document are subject to copyright. Contributions from third parties are identified as such. Reproduction, processing, dissemination and any type of use beyond what is permitted under copyright requires written authorisation from the respective author and/or the manufacturer.

The manufacturer tries always to observe the copyrights of others, and to draw on works created in-house or works in the public domain.

The collection of personal data (such as names, street addresses or e-mail addresses) in the manufacturer's documents is always on a voluntary basis whenever possible. Whenever feasible, it is always possible to make use of the offerings and services without providing any personal data.

We draw your attention to the fact that data transmission over the Internet (e.g. when communicating by e-mail) may involve gaps in security. It is not possible to protect such data completely against access by third parties.

We hereby expressly prohibit the use of the contact data published as part of our duty to publish an imprint for the purpose of sending us any advertising or informational materials that we have not expressly requested.

### 1.2.2 Disclaimer

The manufacturer will not be liable for any damage of any kind by using its product, including, but not limited to direct, indirect or incidental and consequential damages.

This disclaimer does not apply in case the manufacturer has acted on purpose or with gross negligence. In the event any applicable law does not allow such limitations on implied warranties or the exclusion of limitation of certain damages, you may, if such law applies to you, not be subject to some or all of the above disclaimer, exclusions or limitations.

Any product purchased from the manufacturer is warranted in accordance with the relevant product documentation and our Terms and Conditions of Sale.

The manufacturer reserves the right to alter the content of its documents, including this disclaimer in any way, at any time, for any reason, without prior notification, and will not be liable in any way for possible consequences of such changes.

### **1.2.3 Product liability and warranty**

The operator shall bear responsibility for the suitability of the device for the specific purpose. The manufacturer accepts no liability for the consequences of misuse by the operator. Improper installation and operation of the devices (systems) will cause the warranty to be void. The respective "Standard Terms and Conditions" which form the basis for the sales contract shall also apply.

### **1.2.4 Information concerning the documentation**

To prevent any injury to the user or damage to the device it is essential that you read the information in this document and observe applicable national standards, safety requirements and accident prevention regulations.

If this document is not in your native language and if you have any problems understanding the text, we advise you to contact your local office for assistance. The manufacturer can not accept responsibility for any damage or injury caused by misunderstanding of the information in this document.

This document is provided to help you establish operating conditions, which will permit safe and efficient use of this device. Special considerations and precautions are also described in the document, which appear in the form of underneath icons.

### 1.2.5 Warnings and symbols used

Safety warnings are indicated by the following symbols.



**DANGER!**

*This information refers to the immediate danger when working with electricity.*



**DANGER!**

*This warning refers to the immediate danger of burns caused by heat or hot surfaces.*



**DANGER!**

*This warning refers to the immediate danger when using this device in a hazardous atmosphere.*



**DANGER!**

*These warnings must be observed without fail. Even partial disregard of this warning can lead to serious health problems and even death. There is also the risk of seriously damaging the device or parts of the operator's plant.*



**WARNING!**

*Disregarding this safety warning, even if only in part, poses the risk of serious health problems. There is also the risk of damaging the device or parts of the operator's plant.*



**CAUTION!**

*Disregarding these instructions can result in damage to the device or to parts of the operator's plant.*



**INFORMATION!**

*These instructions contain important information for the handling of the device.*



**LEGAL NOTICE!**

*This note contains information on statutory directives and standards.*



• **HANDLING**

This symbol designates all instructions for actions to be carried out by the operator in the specified sequence.

➔ **RESULT**

This symbol refers to all important consequences of the previous actions.

## 1.3 Safety instructions for the operator



**WARNING!**

*In general, devices from the manufacturer may only be installed, commissioned, operated and maintained by properly trained and authorized personnel.  
This document is provided to help you establish operating conditions, which will permit safe and efficient use of this device.*

## 2.1 Scope of delivery



### INFORMATION!

Inspect the cartons carefully for damage or signs of rough handling. Report damage to the carrier and to the local office of the manufacturer.



### INFORMATION!

Check the packing list to check if you received completely all that you ordered.

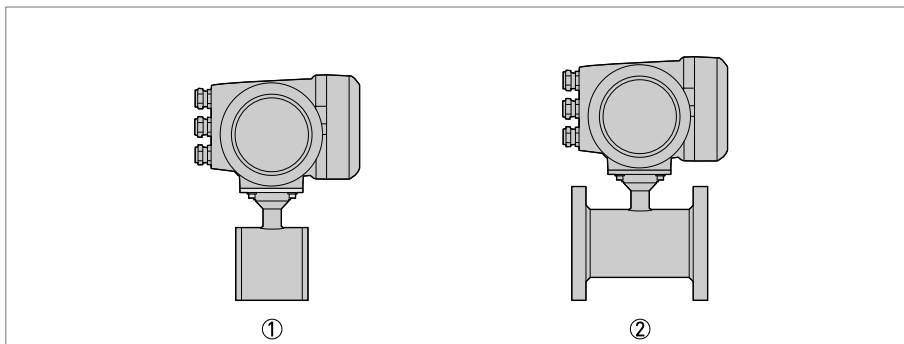


Figure 2-1: Available versions

- ① Sandwich version
- ② Flanged versions

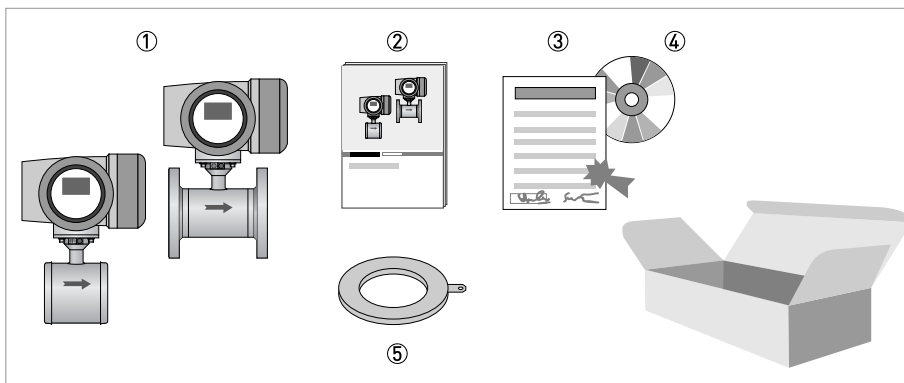


Figure 2-2: Scope of delivery

- ① Ordered flowmeter (sandwich or flanged version)
- ② Product documentation
- ③ Factory calibration report
- ④ CD-ROM with product documentation
- ⑤ Grounding rings (optionally)

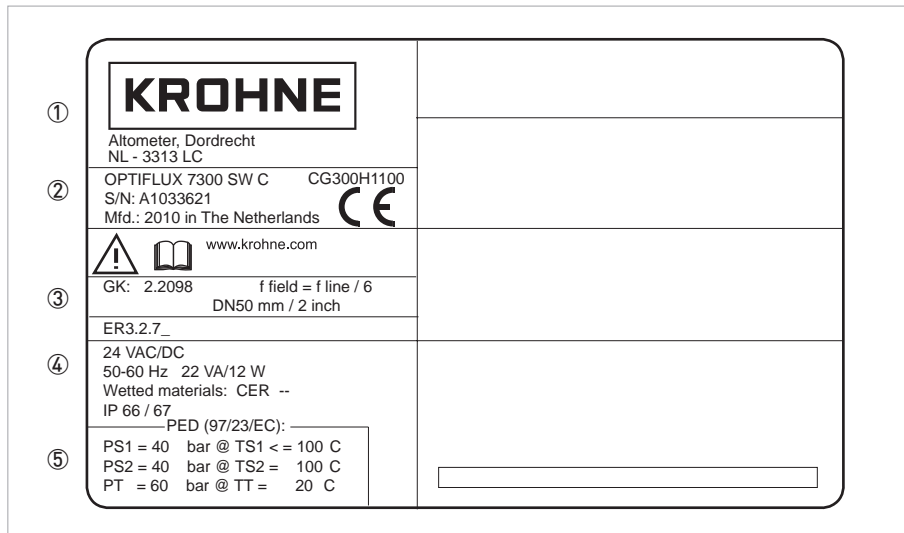


## 2.2 Nameplates



### INFORMATION!

Look at the device nameplate to ensure that the device is delivered according to your order.  
Check for the correct supply voltage printed on the nameplate.



- ① Name and address of the manufacturer.
- ② Type designation of the flowmeter and CE sign with number(s) of notified body / bodies.
- ③ Calibration data.
- ④ Main supply data.
- ⑤ PED data.

### 3.1 Notes on installation

**INFORMATION!**

Inspect the cartons carefully for damage or signs of rough handling. Report damage to the carrier and to the local office of the manufacturer.

**INFORMATION!**

Check the packing list to check if you received completely all that you ordered.

**INFORMATION!**

Look at the device nameplate to ensure that the device is delivered according to your order. Check for the correct supply voltage printed on the nameplate.

### 3.2 Storage

- Store the device in a dry and dust-free location.
- Avoid lasting direct exposure to the sun.
- Store the device in its original packing.

### 3.3 Transport

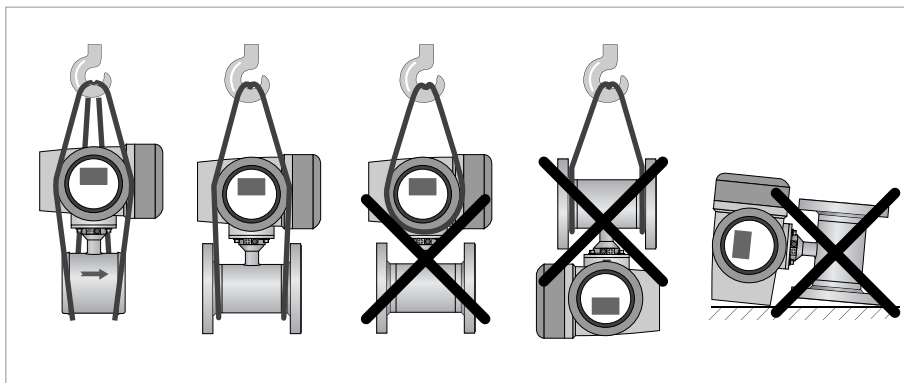


Figure 3-1: Transport

## 3.4 Installation conditions

### 3.4.1 Inlet and outlet

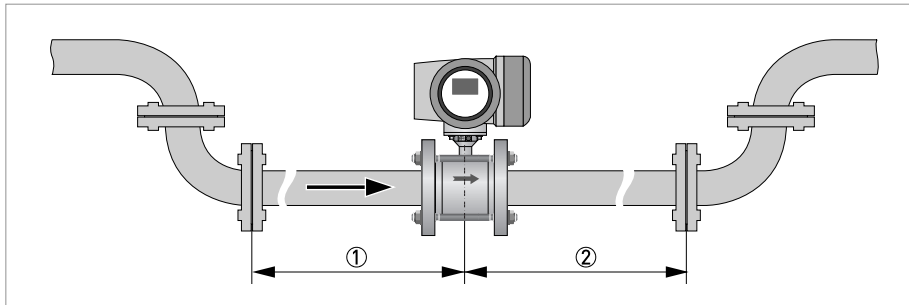


Figure 3-2: Recommended inlet and outlet sections

- ①  $\geq 5$  DN
- ②  $\geq 2$  DN

### 3.4.2 Mounting position

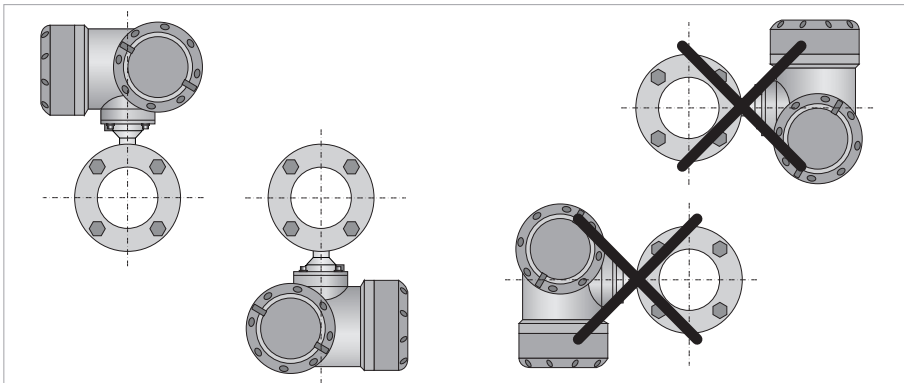


Figure 3-3: Mounting position

3.4.3 Flange deviation



**CAUTION!**

Max. permissible deviation of pipe flange faces:

$$L_{max} - L_{min} \leq 0.5 \text{ mm} / 0.02''$$

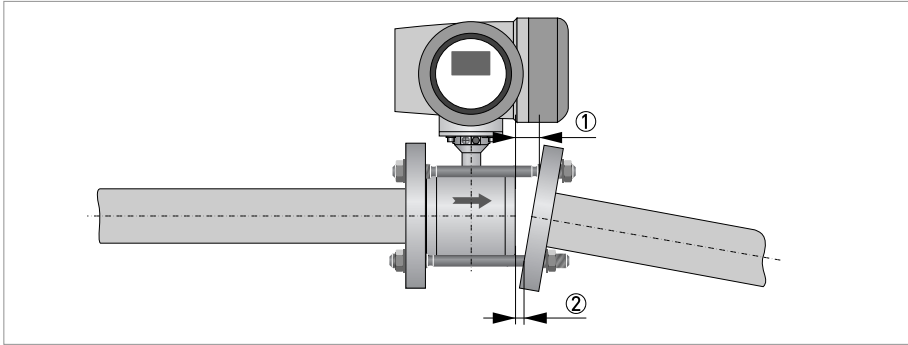


Figure 3-4: Flange deviation

- ①  $L_{max}$
- ②  $L_{min}$

3.4.4 T-section

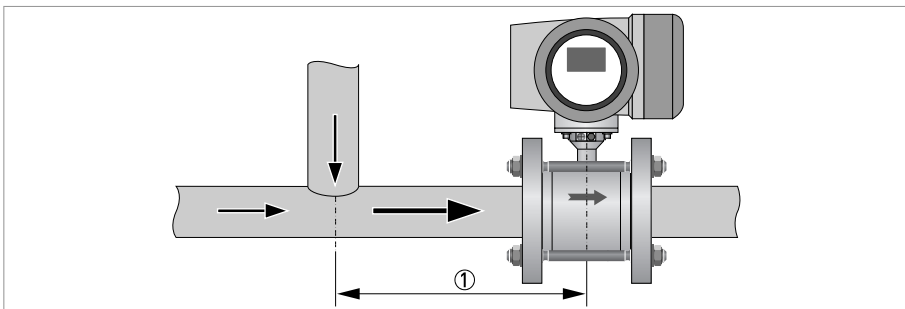


Figure 3-5: Distance after T-sections

- ①  $\geq 10 \text{ DN}$

3.4.5 Vibration

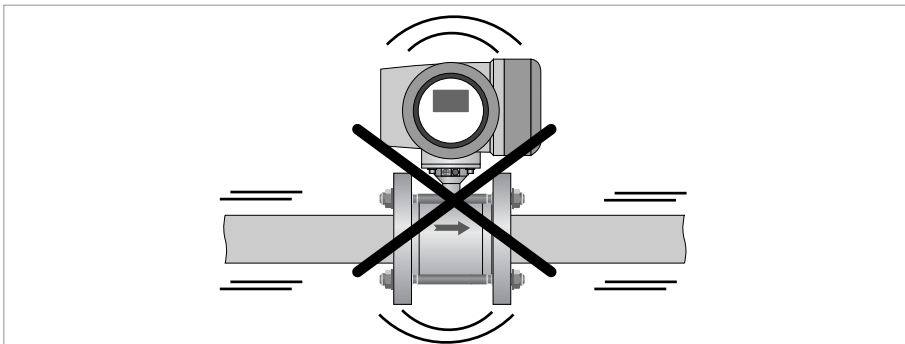


Figure 3-6: Avoid vibrations

### 3.4.6 Magnetic field

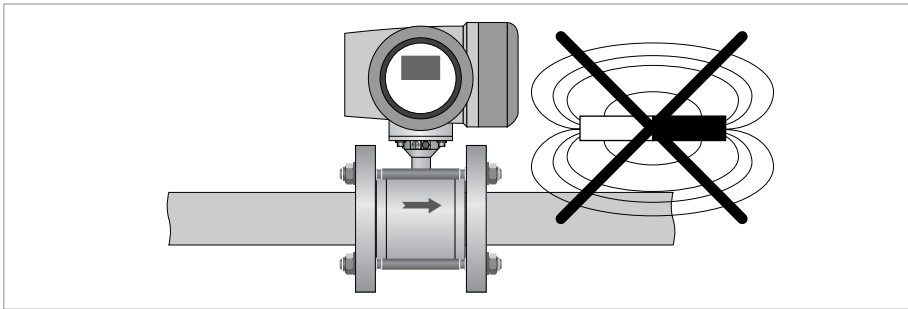


Figure 3-7: Avoid magnetic fields

### 3.4.7 Bends

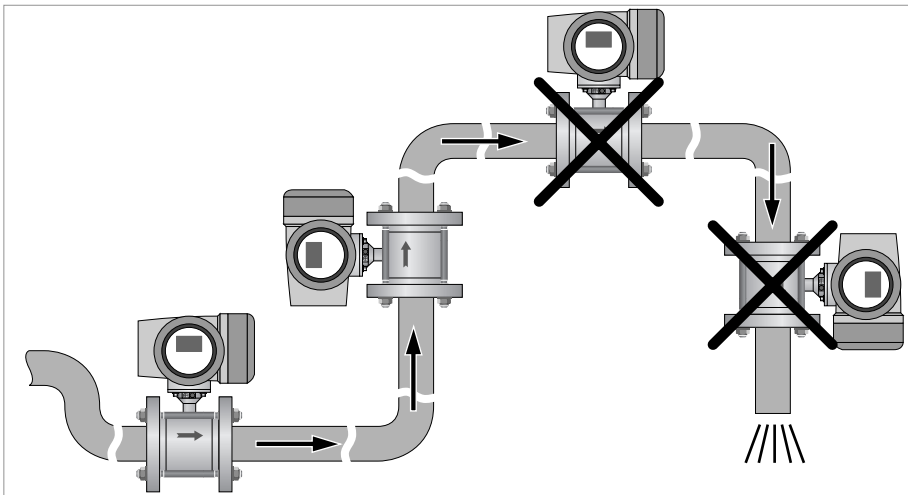


Figure 3-8: Installation in bending pipes

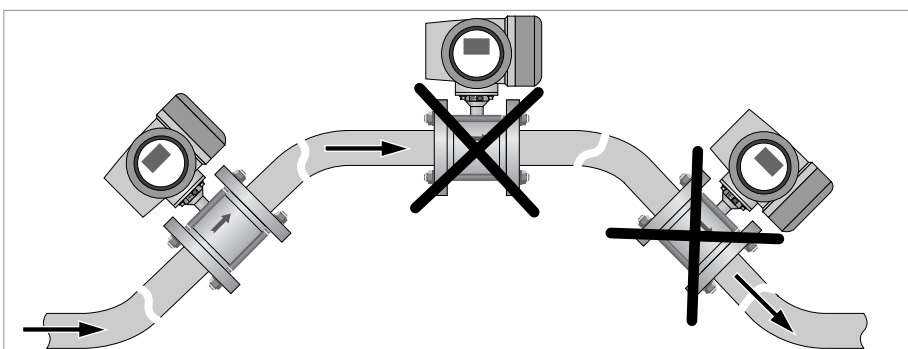


Figure 3-9: Installation in bending pipes

3.4.8 Open discharge

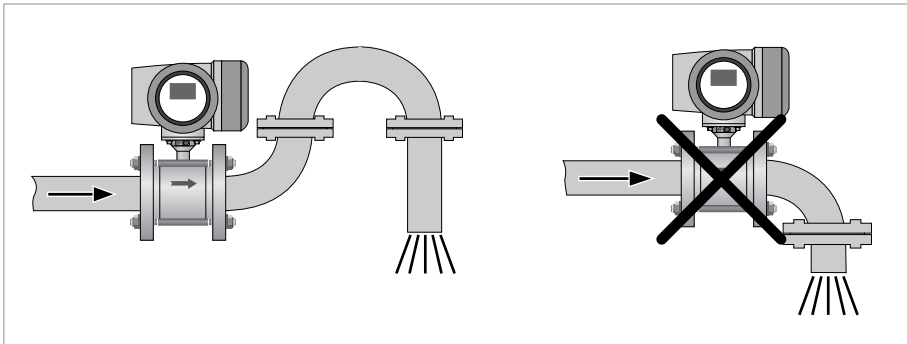


Figure 3-10: Installation before an open discharge

3.4.9 Control valve

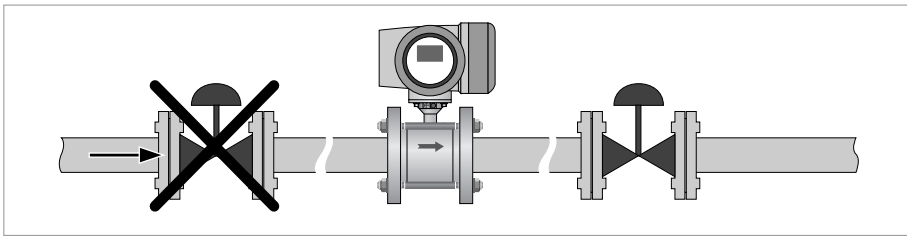


Figure 3-11: Installation before control valve

3.4.10 Air venting

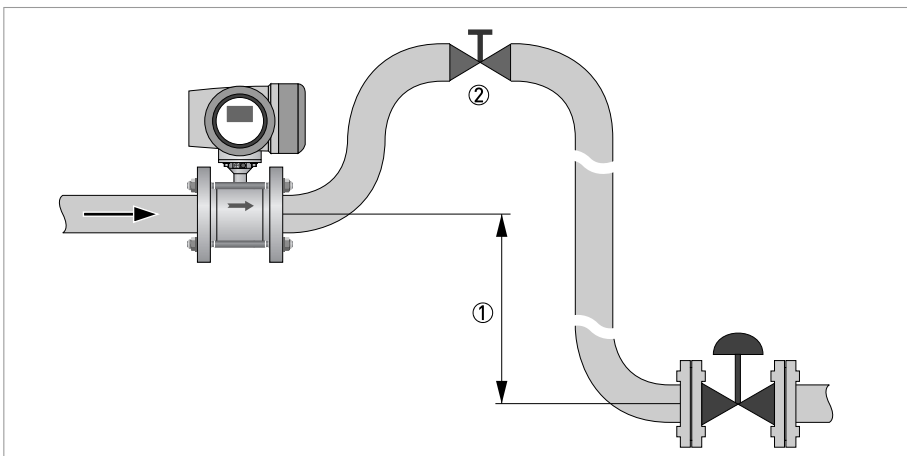


Figure 3-12: Air venting

- ①  $\geq 5$  m
- ② Air ventilation point

### 3.4.11 Pump

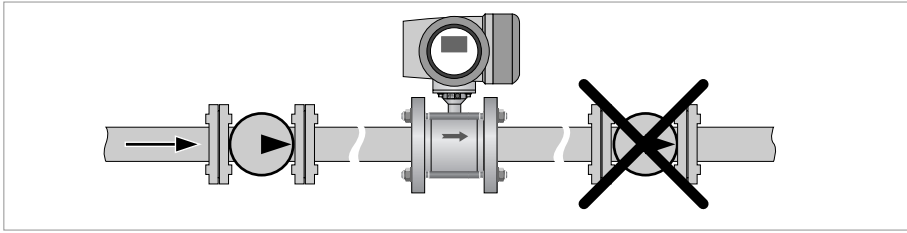


Figure 3-13: Installation after pump

### 3.4.12 Temperatures

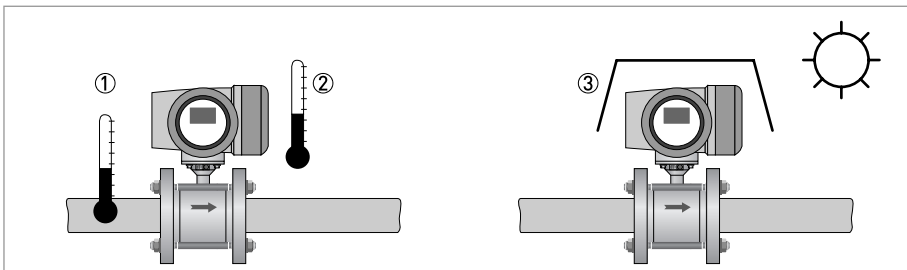


Figure 3-14: Temperatures

- ① Process temperature
- ② Ambient temperature
- ③ Sunshade



**CAUTION!**  
Protect the device from direct sunlight.

| Temperature range | Process [°C] |      | Ambient [°C] |      | Process [°F] |      | Ambient [°F] |      |
|-------------------|--------------|------|--------------|------|--------------|------|--------------|------|
|                   | min.         | max. | min.         | max. | min.         | max. | min.         | max. |
| Compact + IFC 300 | -40          | 100  | -40          | 65   | -40          | 212  | -40          | 149  |

### 3.5 Mounting

#### 3.5.1 Torques and pressures sandwich versions



**WARNING!**

- Use stainless steel A2 / 6.9 class bolts.
- Make sure the connecting flanges are of type raised face (RF).

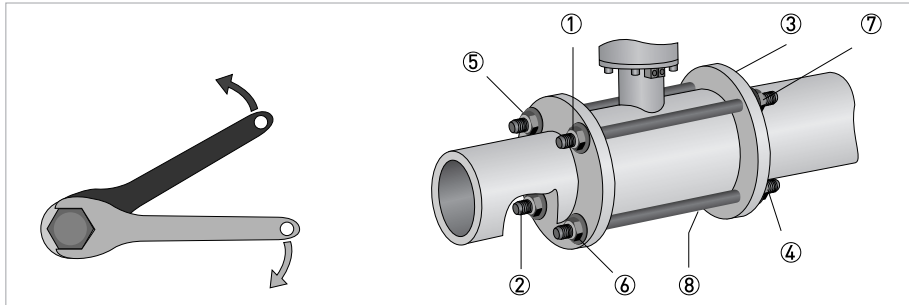


Figure 3-15: Tighten the bolts in fixed order, see picture.

**Max. torque:**

- Step 1: approx. 50% of max. torque
- Step 2: approx. 80% of max. torque
- Step 3: 100% of max. torque given in tables

**EN 1092-1**

| Nominal size<br>DN [mm] | Pressure rating | Max. allowable operating pressure<br>[bar] |
|-------------------------|-----------------|--|
| 25...80                 | PN 40           | 40   |
| 100                     | PN 16           | 16   |
| 100                     | PN 25           | 25   |

**ASME B 16.5**

| Nominal size<br>[inch] | Pressure rating | Max. allowable operating pressure<br>[psig] |
|------------------------|-----------------|---|
| 1...4"                 | 150 lb          | 230   |
| 1...3"                 | 300 lb          | 580   |



## EN 1092-1

| Nominal size<br>DN [mm] | Pipe flanges | Max. allowable torque with gaskets made of |                  |
|-------------------------|--------------|--|------------------|
|                         |              | Gylon® [Nm]                                | Chemotherm® [Nm] |
| 25                      | PN 40        | 22   | 32               |
| 40                      | PN 40        | 47   | 66               |
| 50                      | PN 40        | 58   | 82               |
| 80                      | PN 40        | 48   | 69               |
| 100                     | PN 16        | 75   | 106              |
| 100                     | PN 25        | 94   | 133              |

## ASME B 16.5

| Nominal size<br>DN [mm] | Pipe flanges | Max. allowable torque with gaskets made of |                    |
|-------------------------|--------------|--|--------------------|
|                         |              | Gylon® [ftlb]                              | Chemotherm® [ftlb] |
| 1"                      | 150 lb       | 18   | 24                 |
| 1 1/2"                  | 150 lb       | 28   | 40                 |
| 2"                      | 150 lb       | 43   | 61                 |
| 3"                      | 150 lb       | 72   | 102                |
| 4"                      | 150 lb       | 55   | 80                 |

| Nominal size<br>DN [mm] | Pipe flanges | Max. allowable torque with gaskets made of |                    |
|-------------------------|--------------|--|--------------------|
|                         |              | Gylon® [ftlb]                              | Chemotherm® [ftlb] |
| 1"                      | 300 lb       | 15   | 21                 |
| 1 1/2"                  | 300 lb       | 32   | 45                 |
| 2"                      | 300 lb       | 45   | 64                 |
| 3"                      | 300 lb       | 43   | 61                 |
| 4"                      | 300 lb       | 63   | 90                 |

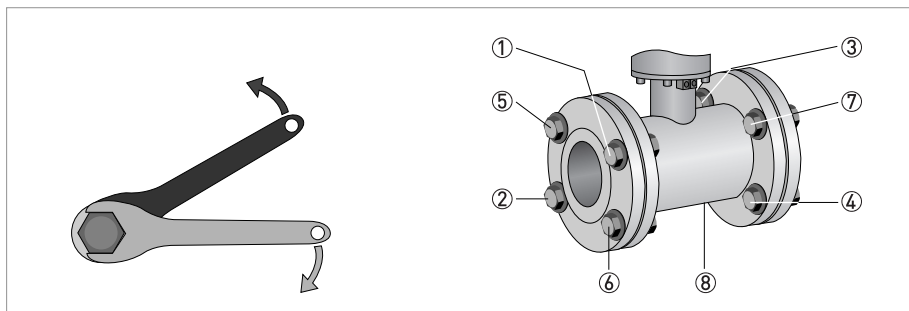
## 3.5.2 Torques and pressures flanged versions

**WARNING!**

Use stainless steel A2 / 6.9 class bolts.

Tighten the bolts in fixed order, see picture:

- Step 1: by hand
- Step 2: approx. 25% of max. torque
- Step 3: approx. 50% of max. torque
- Step 4: approx. 80% of max. torque
- Step 5: 100% of max. torque given in table

**INFORMATION!**

Diameters DN80 and DN100 have 8 holes per flange, please continue in the same way to tighten the other bolts.

**CAUTION!**

With the instrument, 4 PTFE sealing rings are included (2 to be used with installation, 2 as spare).

No other gaskets are required.

**EN 1092-1**

| Nominal size<br>DN [mm] | Pressure<br>rating | Bolts    | Max. torque<br>[Nm] |
|-------------------------|--------------------|----------|---------------------|
| 25                      | PN 40              | 4 × M 12 | 73.5                |
| 40                      | PN 40              | 4 × M 16 | 178                 |
| 50                      | PN 40              | 4 × M 16 | 178                 |
| 80                      | PN 40              | 8 × M 16 | 178                 |
| 100                     | PN 16              | 8 × M 16 | 178                 |

## ASME B 16.5

| Nominal size<br>[inch] | Flange class<br>[lb] | Bolts    | Max. torque<br>[ftlb] |
|------------------------|----------------------|----------|-----------------------|
| 1                      | 150                  | 4 × 1/2" | 40                    |
| 1 1/2                  | 150                  | 4 × 1/2" | 40                    |
| 2                      | 150                  | 4 × 5/8" | 96.84                 |
| 3                      | 150                  | 4 × 5/8" | 96.84                 |
| 4                      | 150                  | 8 × 5/8" | 96.84                 |

| Nominal size<br>[inch] | Flange class<br>[lb] | Bolts    | Max. torque<br>[ftlb] |
|------------------------|----------------------|----------|-----------------------|
| 1                      | 300                  | 4 × 3/4" | 188.8                 |
| 1 1/2                  | 300                  | 4 × 3/4" | 188.8                 |
| 2                      | 300                  | 8 × 5/8" | 96.84                 |
| 3                      | 300                  | 8 × 3/4" | 188.8                 |

## 4.1 Safety instructions



**DANGER!**

All work on the electrical connections may only be carried out with the power disconnected. Take note of the voltage data on the nameplate!



**DANGER!**

Observe the national regulations for electrical installations!



**DANGER!**

For devices used in hazardous areas, additional safety notes apply; please refer to the Ex documentation.



**WARNING!**

Observe without fail the local occupational health and safety regulations. Any work done on the electrical components of the measuring device may only be carried out by properly trained specialists.



**INFORMATION!**

Look at the device nameplate to ensure that the device is delivered according to your order. Check for the correct supply voltage printed on the nameplate.

## 4.2 Grounding



**DANGER!**

The device must be grounded in accordance with regulations in order to protect personnel against electric shocks.

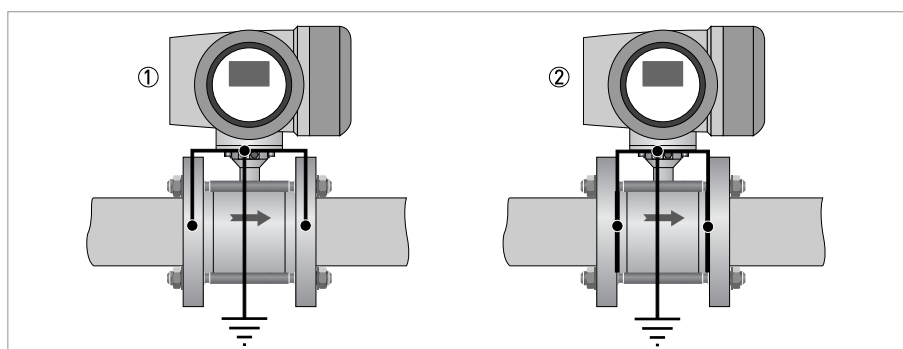


Figure 4-1: Grounding

- ① Metal pipelines, not internally coated. Grounding without grounding rings.
- ② Metal pipelines with internal coating and non-conductive pipelines. Grounding with grounding rings.



Figure 4-2: Grounding ring number 1

**Grounding ring number 1 (for type VN19):**

- 3 mm / 0.1" thick (tantalum: 0.5 mm / 0.1")

### 4.3 Connection diagrams



**INFORMATION!**

*For the connection diagrams please refer to the documentation of the applicable converter.*

## 5.1 Spare parts availability

The manufacturer adheres to the basic principle that functionally adequate spare parts for each device or each important accessory part will be kept available for a period of 3 years after delivery of the last production run for the device.

This regulation only applies to spare parts which are subject to wear and tear under normal operating conditions.

## 5.2 Availability of services

The manufacturer offers a range of services to support the customer after expiration of the warranty. These include repair, maintenance, technical support and training.



### **INFORMATION!**

*For more precise information, please contact your local representative.*

## 5.3 Returning the device to the manufacturer

### 5.3.1 General information

This device has been carefully manufactured and tested. If installed and operated in accordance with these operating instructions, it will rarely present any problems.



### **CAUTION!**

*Should you nevertheless need to return a device for inspection or repair, please pay strict attention to the following points:*

- *Due to statutory regulations on environmental protection and safeguarding the health and safety of our personnel, manufacturer may only handle, test and repair returned devices that have been in contact with products without risk to personnel and environment.*
- *This means that the manufacturer can only service this device if it is accompanied by the following certificate (see next section) confirming that the device is safe to handle.*



### **CAUTION!**

*If the device has been operated with toxic, caustic, flammable or water-endangering products, you are kindly requested:*

- *to check and ensure, if necessary by rinsing or neutralizing, that all cavities are free from such dangerous substances,*
- *to enclose a certificate with the device confirming that is safe to handle and stating the product used.*

## 5.3.2 Form (for copying) to accompany a returned device

|   |   |            |  |
|---|---|------------|--|
| Company:  |   | Address:   |  |
| Department:   |   | Name:      |  |
| Tel. no.:   |   | Fax no.:   |  |
| Manufacturer's order no. or serial no.:   |   |            |  |
| The device has been operated with the following medium:   |   |            |  |
| This medium is:   | water-hazardous   |            |  |
|   | toxic   |            |  |
|   | caustic   |            |  |
|   | flammable   |            |  |
|   | We checked that all cavities in the device are free from such substances. |            |  |
|   | We have flushed out and neutralized all cavities in the device.           |            |  |
| We hereby confirm that there is no risk to persons or the environment through any residual media contained in the device when it is returned. |   |            |  |
| Date:   |   | Signature: |  |
| Stamp:  |   |            |  |

## 5.4 Disposal

**CAUTION!**

*Disposal must be carried out in accordance with legislation applicable in your country.*

## 6.1 Measuring principle

An electrically conductive fluid flows inside an electrically insulated pipe through a magnetic field. This magnetic field is generated by a current, flowing through a pair of field coils. Inside of the fluid, a voltage  $U$  is generated:

$$U = v * k * B * D$$

in which:

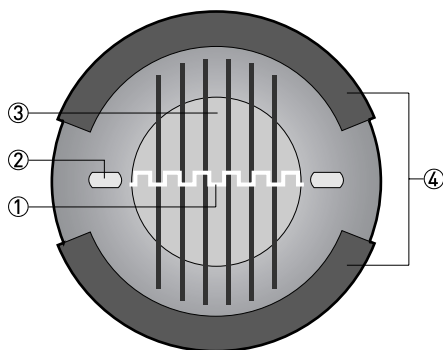
$v$  = mean flow velocity

$k$  = factor correcting for geometry

$B$  = magnetic field strength

$D$  = inner diameter of flow meter

The signal voltage  $U$  is picked off by electrodes and is proportional to the mean flow velocity  $v$  and thus the flow rate  $q$ . A signal converter is used to amplify the signal voltage, filter it and convert it into signals for totalising, recording and output processing.



- ① Induced voltage (proportional to flow velocity)
- ② Electrodes (capacitive)
- ③ Magnetic field
- ④ Field coils



## 6.2 Technical data



### INFORMATION!

- The following data is provided for general applications. If you require data that is more relevant to your specific application, please contact us or your local representative.
- Additional information (certificates, special tools, software,...) and complete product documentation can be downloaded free of charge from the website (Download Center).

### Measuring system

|                          |  |
|--------------------------|--|
| Measuring principle      | Farady's law of induction  |
| Application range        | Continuous measurement of the volumetric flow rate of electrically conductive liquids. |
| <b>Measured value</b>    |  |
| Primary measured value   | Flow velocity  |
| Secondary measured value | Volume flow, mass flow   |

### Design

|                          |  |
|--------------------------|--|
| Features                 | Sandwich / flanged version with optimized flow tube  |
| Modular construction     | The measurement system consists of a flow sensor and a signal converter. It is available as compact version only. More information about the signal converter can be found in the documentation of the signal converter. |
| Compact version          | With IFC 300 C / CAP converter: OPTIFLUX 7300 C  |
| Nominal diameter         | DN25, 40, 50, 80, 100 / 1", 1½", 2", 3" and 4".  |
| Measurement range        | -12...+12 m/s / -40...+40 ft/s   |
| <b>Signal converter</b>  |  |
| Outputs / inputs         | Current- (incl. HART®), pulse, frequency and/or status output, limit switch and/or control input, current input (depends on the I/O version)   |
| Counters                 | 2 (optional 3) internal counters with a max. of 8 counter places (e.g. for counting volume and/or mass units)  |
| Verification             | Intergrated verification, diagnostic functions: measuring device, process, measured value, empty pipe detection, stabilization.  |
| Communication interfaces | Foundation Fieldbus, Profibus PA and DP, Modbus, HART®   |
| <b>User interface</b>    |  |
| Display                  | LC Display, backlit white  |
|                          | Size: 128 x 64 pixel, corresponds to 59 x 31 mm / 2.32" x 1.22"  |
|                          | Display can be turned in steps of 90°  |
|                          | Ambient temperature below -25°C / -13°F, may effect the readability of the display.  |
| Operating elements       | 4 optical keys for operator control of the signal converter without opening the housing.   |
|                          | Infrared interface for reading and writing all parameters with IR interface (option) without opening the housing.  |

|   |   |
|---|---|
| Remote control                                  | PACTware® (incl. Device Type Manager (DTM))   |
|   | HART® Hand Held Communicator from Emerson Process   |
|   | AMS® from Emerson Process   |
|   | PDM® from Siemens   |
|   | All DTMs and drivers are available free of charge from the manufacturer's website.  |
| <b>Display functions</b>                        |   |
| Operating menu                                  | Setting the parameters using 2 measured value pages, 1 status page, 1 graphics page (measured values and graphics are freely adjustable). |
| Language display texts<br>(as language package) | Standard: English, French, German, Dutch, Portuguese, Swedish, Spanish, Italian   |
|   | Eastern Europe: English, Slovenian, Czech, Hungarian  |
|   | Northern Europe: English, Danish, Polish  |
|   | China: English, Chinese   |
|   | Russia: English, Russian  |
| Units   | Metric, British and US units selectable as required from lists for volume / mass flow and counting, flow velocity, temperature.           |

### Measuring accuracy

|                         |  |
|-------------------------|--|
| Reference conditions    | Flow conditions: similar to EN 29104   |
|                         | Medium: water  |
|                         | Temperature: 20°C / 68°F   |
|                         | In-/outlet section: 10 DN / 5 DN   |
|                         | Flow velocity: > 1 m/s / > 3 ft/s  |
|                         | Operating pressure: 1 bar / 14.5 psig  |
|                         | Valve closing time variation: < 1 ms   |
|                         | Wet calibrated on EN 17025 accredited calibration rig by direct volume comparison. |
| Maximum measuring error | ±0.5% of measured value ±5 mm/s  |
|                         | Related to volume flow.  |
|                         | These values are related to the pulse / frequency output.                          |
|                         | The additional typical measuring deviation for the current output is ±10 µA.       |
| Repeatability           | ±0.1% of MV, minimum 1 mm/s  |
| Long term stability     | ±0.1% of MV  |
| Special calibration     | On request   |

### Operating conditions

| <b>Temperature</b>                 |  |                             |
|------------------------------------|--|-----------------------------|
| Process temperature                | -40...100°C / -40...+212°F (up to 120°C / 248°F for up to 30 min.)   |                             |
|                                    | For Ex versions different temperature ranges are applicable. Please see the relevant Ex documentation for details. |                             |
| Maximum temperature change (shock) | Rising: 125°C / 257°F (in 10 min.); 120°C / 248°F (sudden change)  |                             |
|                                    | Falling: 100°C / 212°F (in 10 min.); 80°C / 176°F (sudden change)  |                             |
| Ambient temperature                | Non-Ex: -40...+65°C / -40...+149°F   |                             |
|                                    | Ex: -40...+60°C / -40...+140°F   |                             |
| Storage temperature                | -50...+70°C / -58...+158°F   |                             |
| <b>Pressure</b>                    |  |                             |
|                                    | <b>OPTIFLUX 7300 C - SW</b>  | <b>OPTIFLUX 7300 C - FL</b> |
| Ambient pressure                   | Atmospheric  | Atmospheric                 |
| Nominal flange pressure            |  |                             |
| EN 1092-1                          | <b>Standard:</b>   | <b>Standard:</b>            |
|                                    | DN100: PN 16   | DN100: PN 16                |
|                                    | DN25...80: PN 40   | DN25...80: PN 40            |
|                                    | <b>Option:</b>   | <b>Option:</b>              |
|                                    | DN100: PN 25   | -                           |
| ASME B16.5                         | <b>Standard:</b>   | <b>Standard:</b>            |
|                                    | 1...4": 150 lb   | 1...4": 150 lb              |
|                                    | <b>Option:</b>   | <b>Option:</b>              |
|                                    | 1...3": 300 lb   | 1...3": 300 lb              |
|                                    | 4": 300 lb<br>Max. pressure is 30 bar / 435 psig   |                             |
| Vacuum load                        | 0 mbar / 0 psig  | 0 mbar / 0 psig             |
| <b>Chemical properties</b>         |  |                             |
| Physical condition                 | Liquids  |                             |
| Electrical conductivity            | 0.05 µS/cm   |                             |
|                                    | Demineralised cold water: ≥ 1 µS/cm  |                             |
| Permissible gas content (volume)   | ≤ 5%   |                             |
| Permissible solid content          | ≤ 70%  |                             |

### Installation conditions

|                        |  |
|------------------------|--|
| Installation           | Take care that the flow sensor is always fully filled.         |
|                        | For detailed information see chapter "Installation".           |
| Flow direction         | Forward and reverse  |
|                        | Arrow on flow sensor indicates positive flow direction.        |
| Inlet run              | ≥ 5 DN (without disturbing flow, after a single 90° bend)      |
|                        | ≥ 10 DN (after a double bend 2x90°)                            |
|                        | ≥ 10 DN (behind a control valve)                               |
| Outlet run             | ≥ 2 DN   |
| Dimensions and weights | For detailed information see chapter "Dimensions and weights". |

## Materials

|                          | OPTIFLUX 7300 C - SW  | OPTIFLUX 7300 C - FL              |
|--------------------------|---|-----------------------------------|
| Sensor housing           | Stainless steel AISI 304 (1.4306)                             | Stainless steel AISI 316 (1.4408) |
| Measuring tube           | Ceramic   | Ceramic                           |
| Flange                   | -   | Stainless steel AISI 316 (1.4408) |
| Measuring electrodes     | Non wetted, capacitive  | Non wetted, capacitive            |
| Grounding rings          | Stainless steel, Hastelloy <sup>®</sup> C, Titanium, Tantalum | -                                 |
|                          | Other materials on request.                                   | -                                 |
| Stud bolts and nuts      | Standard: steel   | -                                 |
|                          | Option: stainless steel, rubber, centering sleeves            | -                                 |
| Gaskets                  | Gylon <sup>®</sup> , PTFE-PF 29, Chemotherm <sup>®</sup>      | PTFE sealing rings                |
|                          | Other materials on request.                                   | -                                 |
| Signal converter housing | Standard: die-cast aluminium (polyurethane-coated)            |                                   |
|                          | Option: stainless steel 316 L (1.4408)                        |                                   |

## Process connections

|           | OPTIFLUX 7300 C - SW                               | OPTIFLUX 7300 C - FL |
|-----------|--|----------------------|
| EN 1092-1 | <b>Standard</b>                                    |                      |
|           | DN100 in PN 16                                     | DN100 in PN 16       |
|           | DN25...80 in PN 40                                 | DN25...80 in PN 40   |
|           | <b>Option</b>                                      |                      |
|           | Option: DN100 in PN 25                             | -                    |
| ASME      | <b>Standard</b>                                    |                      |
|           | 1...4" in 150 lb                                   | 1...4" in 150 lb     |
|           | <b>Option</b>                                      |                      |
|           | 1...3" in 300 lb                                   | 1...3" in 300 lb     |
|           | 4" in 300 lb<br>Max. pressure is 30 bar / 435 psig |                      |

## Electrical connection

|                   |   |
|-------------------|---|
| General           | Electrical connection is carried out in conformity with the VDE 0100 directive "Regulations for electrical power installations with line voltages up to 1000 V" or equivalent national regulations. |
| Voltage           | <b>Standard</b>   |
|                   | 100...230 VAC (-15% / +10%), 50/60 Hz   |
|                   | <b>Options</b>  |
|                   | 24 VDC (-55% / +30% )<br>24 VAC/DC (AC: -15% / +10%, 50/60 Hz; DC: -25% / +30%)   |
| Power consumption | AC: 22 VA   |
|                   | DC: 12 W  |
| Cable entries     | Standard: M20 x 1.5 (8...12 mm)   |
|                   | Option: ½" NPT, PF ½  |

## Inputs and outputs

|                                       |  |                     |   |
|---------------------------------------|--|---------------------|---|
| General                               | All outputs are electrically isolated from each other and from all other circuits.   |                     |   |
|                                       | All operating data and output values can be adjusted.  |                     |   |
| Description of the used abbreviations | $U_{ext}$ = external voltage<br>$R_L$ = load + resistance<br>$U_0$ = terminal voltage<br>$I_{nom}$ = nominal current<br><b>Safety limit values (Ex i):</b><br>$U_i$ = max. input voltage<br>$I_i$ = max. input current<br>$P_i$ = max. input power rating<br>$C_i$ = max. input capacity<br>$L_i$ = max. input inductivity |                     |   |
| <b>Current output</b>                 |  |                     |   |
| Output data                           | Volume flow, mass flow, diagnostics value, flow velocity, coil temperature.  |                     |   |
| Settings                              | <b>Without HART®</b>   |                     |   |
|                                       | Q = 0%: 0...20 mA  |                     |   |
|                                       | Q = 100%: 10...21.5 mA   |                     |   |
|                                       | Error identifications: 10...21.5 mA  |                     |   |
|                                       | <b>With HART®</b>  |                     |   |
|                                       | Q = 0%: 4...20 mA  |                     |   |
|                                       | Q = 100%: 10...21.5 mA   |                     |   |
|                                       | Error identifications: 3.5...22 mA   |                     |   |
| Operating Data                        | <b>Basic I/Os</b>  | <b>Modular I/Os</b> | <b>Ex i</b>   |
| Active                                | $U_{int, nom} = 24 \text{ VDC}$<br>$I \leq 22 \text{ mA}$<br>$R_L \leq 1 \text{ k}\Omega$  |                     | $U_{int, nom} = 20 \text{ VDC}$<br>$I \leq 22 \text{ mA}$<br>$R_L \leq 450 \Omega$  |
|                                       |  |                     | $U_0 = 21 \text{ V}$<br>$I_0 = 90 \text{ mA}$<br>$P_0 = 0.5 \text{ W}$<br>$C_0 = 90 \text{ nF} /$<br>$L_0 = 2 \text{ mH}$<br>$C_0 = 110 \text{ nF} /$<br>$L_0 = 0.5 \text{ mH}$ |
| Passive                               | $U_{ext} \leq 32 \text{ VDC}$<br>$I \leq 22 \text{ mA}$<br>$U_0 \geq 1.8 \text{ V}$<br>$R_L \leq (U_{ext} - U_0) / I_{max}$  |                     | $U_{ext} \leq 32 \text{ VDC}$<br>$I \leq 22 \text{ mA}$<br>$U_0 \geq 4 \text{ V}$<br>$R_L \leq (U_{ext} - U_0) / I_{max}$   |
|                                       |  |                     | $U_i = 30 \text{ V}$<br>$I_i = 100 \text{ mA}$<br>$P_i = 1 \text{ W}$<br>$C_i = 10 \text{ nF}$<br>$L_i \sim 0 \text{ mH}$   |

| HART®  |   |  |      |
|--|---|--|------|
| Description                                      | HART® protocol via active and passive current output.                                       |  |      |
|  | HART® version: V5   |  |      |
|  | Universal HART® parameter: completely integrated  |  |      |
| Load   | ≥ 250 Ω at HART® test point.  |  |      |
|  | Note maximum load for current output!   |  |      |
| Multidrop operation                              | Yes, current output = 4mA   |  |      |
|  | Multidrop address adjustable in operation menu 1...15                                       |  |      |
| Device driver                                    | Available for FC 375, AMS, PDM, FDT/DTM   |  |      |
| Registration<br>(HART® Communication Foundation) | Yes   |  |      |
| Pulse or frequency output                        |   |  |      |
| Output data                                      | Pulse output: volume flow, mass flow  |  |      |
|  | Frequency output: volume flow, mass flow, diagnostic value, flow velocity, coil temperature |  |      |
| Function   | Adjustable as pulse or frequency output.  |  |      |
| Pulse rate/frequency                             | 0.01...10000 pulses/s or Hz   |  |      |
| Settings   | Pulses per volume or mass unit or max. frequency for 100% flow.                             |  |      |
|  | Pulse width: adjustable as automatic, symmetric or fixed (0.05...2000 ms)                   |  |      |
| Operating data                                   | Basic I/Os  | Modular I/Os   | Ex i |
| Active   |   | $U_{nom} = 24 \text{ VDC}$<br>$f_{max}$ in operating menu set to $f_{max} \leq 100 \text{ Hz}$ :<br>$I \leq 20 \text{ mA}$<br>open:<br>$I \leq 0.05 \text{ mA}$<br>closed:<br>$U_{0, nom} = 24 \text{ V}$<br>at $I = 20 \text{ mA}$  |      |
|  |   | $f_{max}$ in operating menu set to $100 \text{ Hz}$<br>$< f_{max} \leq 10 \text{ kHz}$ :<br>$I \leq 20 \text{ mA}$<br>open:<br>$I \leq 0.05 \text{ mA}$<br>closed:<br>$U_{0, nom} = 22.5 \text{ V}$<br>at $I = 1 \text{ mA}$<br>$U_{0, nom} = 21.5 \text{ V}$<br>at $I = 10 \text{ mA}$<br>$U_{0, nom} = 19 \text{ V}$<br>at $I = 20 \text{ mA}$ |      |

|         |  |   |  |
|---------|--|---|--|
| Passive | $U_{\text{ext}} \leq 32 \text{ VDC}$   |   |  |
|         | $f_{\text{max}}$ in operating menu set to $f_{\text{max}} \leq 100 \text{ Hz}$ :<br>$I \leq 100 \text{ mA}$<br>$R_{L, \text{max}} = 47 \text{ k}\Omega$<br>$R_{L, \text{min}} = (U_{\text{ext}} - U_0) / I_{\text{max}}$<br>open:<br>$I \leq 0.05 \text{ mA}$ at $U_{\text{ext}} = 32 \text{ VDC}$<br>closed:<br>$U_{0, \text{max}} = 0.2 \text{ V}$ at $I \leq 10 \text{ mA}$<br>$U_{0, \text{max}} = 2 \text{ V}$ at $I \leq 100 \text{ mA}$   |   |  |
| Passive | $f_{\text{max}}$ in operating menu set to<br>$100 \text{ Hz} < f_{\text{max}} \leq 10 \text{ kHz}$ :<br>$I \leq 20 \text{ mA}$<br>$R_{L, \text{max}} = 47 \text{ k}\Omega$<br>$R_{L, \text{min}} = (U_{\text{ext}} - U_0) / I_{\text{max}}$<br>open:<br>$I \leq 0.05 \text{ mA}$ at $U_{\text{ext}} = 32 \text{ VDC}$<br>closed:<br>$U_{0, \text{max}} = 1.5 \text{ V}$ at $I \leq 1 \text{ mA}$<br>$U_{0, \text{max}} = 2.5 \text{ V}$ at $I \leq 10 \text{ mA}$<br>$U_{0, \text{max}} = 5.0 \text{ V}$ at $I \leq 20 \text{ mA}$ |   |  |
|         | NAMUR  | - | Passive to<br>EN 60947-5-6<br>open:<br>$I_{\text{nom}} = 0.6 \text{ mA}$<br>closed:<br>$I_{\text{nom}} = 3.8 \text{ mA}$   |
|         |  |   | Passive to<br>EN 60947-5-6<br>open:<br>$I_{\text{nom}} = 0.43 \text{ mA}$<br>closed:<br>$I_{\text{nom}} = 4.5 \text{ mA}$<br>$U_i = 30 \text{ V}$<br>$I_i = 100 \text{ mA}$<br>$P_i = 1 \text{ W}$<br>$C_i = 10 \text{ nF}$<br>$L_i \sim 0 \text{ mH}$ |

| <b>Low flow cut-off</b>             |  |   |  |
|-------------------------------------|--|---|--|
| Function                            | Switching point and hysteresis separately adjustable for each output, counter and the display.   |   |  |
| Switching point                     | Set in increments of 0.1.  |   |  |
|                                     | 0....20% (current output, frequency output) or 0...±9.999 m/s (pulse output)   |   |  |
| Hysteresis                          | Set in increments of 0.1.  |   |  |
|                                     | 0...5% (current output, frequency output) or 0...5 m/s (pulse output)  |   |  |
| <b>Time constant</b>                |  |   |  |
| Function                            | The time constant corresponds to the elapsed time until 67% of the end value has been reached according to a step function.  |   |  |
| Settings                            | Set in increments of 0.1.  |   |  |
|                                     | 0...100 s  |   |  |
| <b>Status output / limit switch</b> |  |   |  |
| Functions and settings              | Adjustable as automatic measuring range conversion, display of flow direction, counter overflow, error, switching point or empty pipe detection.   |   |  |
|                                     | Valve control with activated dosing function.  |   |  |
|                                     | Status and/or control: ON or OFF   |   |  |
| Operating data                      | <b>Basic I/Os</b>  | <b>Modular I/Os</b>   | <b>Ex i</b>  |
| Active                              | -  | $U_{int} = 24 \text{ VDC}$<br>$I \leq 20 \text{ mA}$<br>open:<br>$I \leq 0.05 \text{ mA}$<br>closed:<br>$U_{0, nom} = 24 \text{ V}$<br>at $I = 20 \text{ mA}$ | -  |
| Passive                             | $U_{ext} \leq 32 \text{ VDC}$<br>$I \leq 100 \text{ mA}$<br>$R_{L, max} = 47 \text{ k}\Omega$<br>$R_{L, min} = (U_{ext} - U_0) / I_{max}$<br>open:<br>$I \leq 0.05 \text{ mA}$ at $U_{ext} = 32 \text{ VDC}$<br>closed:<br>$U_{0, max} = 0.2 \text{ V}$ at $I \leq 10 \text{ mA}$<br>$U_{0, max} = 2 \text{ V}$ at $I \leq 100 \text{ mA}$ |   | -  |
| NAMUR                               | -  | Passive to EN 60947-5-6<br>open:<br>$I_{nom} = 0.6 \text{ mA}$<br>closed:<br>$I_{nom} = 3.8 \text{ mA}$   | Passive to EN 60947-5-6<br>open:<br>$I_{nom} = 0.43 \text{ mA}$<br>closed:<br>$I_{nom} = 4.5 \text{ mA}$<br>$U_i = 30 \text{ V}$<br>$I_i = 100 \text{ mA}$<br>$P_i = 1 \text{ W}$<br>$C_i = 10 \text{ nF}$<br>$L_i = 0 \text{ mH}$ |



| <b>Control input</b> |   |   |  |
|----------------------|---|---|--|
| Function             | Hold output values (e.g. when cleaning), set value of outputs to "zero", counter and error reset, range conversion.   |   |  |
|                      | Start of dosing when dosing function is activated.  |   |  |
| Operating data       | <b>Basic I/Os</b>   | <b>Modular I/Os</b>   | <b>Ex i</b>  |
| Active               | -   | $U_{int} = 24 \text{ VDC}$<br>Ext. contact open:<br>$U_{0, nom} = 22 \text{ V}$<br>Ext. contact closed:<br>$I_{nom} = 4 \text{ mA}$<br>Contact closed (on):<br>$U_0 \geq 12 \text{ V}$<br>with $I_{nom} = 1.9 \text{ mA}$<br>Contact open (off):<br>$U_0 \leq 10 \text{ V}$<br>with $I_{nom} = 1.9 \text{ mA}$  | -  |
| Passive              | $8 \text{ V} \leq U_{ext} \leq 32 \text{ VDC}$<br>$I_{max} = 6.5 \text{ mA}$<br>at $U_{ext} \leq 24 \text{ VDC}$<br>$I_{max} = 8.2 \text{ mA}$<br>at $U_{ext} \leq 32 \text{ VDC}$<br>Contact closed (on):<br>$U_0 \geq 8 \text{ V}$<br>with $I_{nom} = 2.8 \text{ mA}$<br>Contact open (off):<br>$U_0 \leq 2.5 \text{ V}$<br>with $I_{nom} = 0.4 \text{ mA}$ | $3 \text{ V} \leq U_{ext} \leq 32 \text{ VDC}$<br>$I_{max} = 9.5 \text{ mA}$<br>at $U_{ext} \leq 24 \text{ V}$<br>$I_{max} = 9.5 \text{ mA}$<br>at $U_{ext} \leq 32 \text{ V}$<br>Contact closed (on):<br>$U_0 \geq 3 \text{ V}$<br>with $I_{nom} = 1.9 \text{ mA}$<br>Contact open (off):<br>$U_0 \leq 2.5 \text{ V}$<br>with $I_{nom} = 1.9 \text{ mA}$   | $U_{ext} \leq 32 \text{ VDC}$<br>$I \leq 6 \text{ mA}$ at $U_{ext} = 24 \text{ V}$<br>$I \leq 6.6 \text{ mA}$ at $U_{ext} = 32 \text{ V}$<br>On:<br>$U_0 \geq 5.5 \text{ V}$ or $I \geq 4 \text{ mA}$<br>Off:<br>$U_0 \leq 3.5 \text{ V}$ or $I \leq 0.5 \text{ mA}$ |
|                      |   |   | $U_i = 30 \text{ V}$<br>$I_i = 100 \text{ mA}$<br>$P_i = 1 \text{ W}$<br>$C_i = 10 \text{ nF}$<br>$L_i = 0 \text{ mH}$   |
| NAMUR                | -   | Active to<br>EN 60947-5-6<br>Terminals open:<br>$U_{0, nom} = 8.7 \text{ V}$<br>Contact closed (on):<br>$U_{0, nom} = 6.3 \text{ V}$<br>with $I_{nom} > 1.9 \text{ mA}$<br>Contact open (off):<br>$U_{0, nom} = 6.3 \text{ V}$<br>with $I_{nom} < 1.9 \text{ mA}$<br>Detection of cable<br>break:<br>$U_0 \geq 8.1 \text{ V}$<br>with $I \leq 0.1 \text{ mA}$<br>Detection of cable short<br>circuit:<br>$U_0 \leq 1.2 \text{ V}$<br>with $I \geq 6.7 \text{ mA}$ | -  |

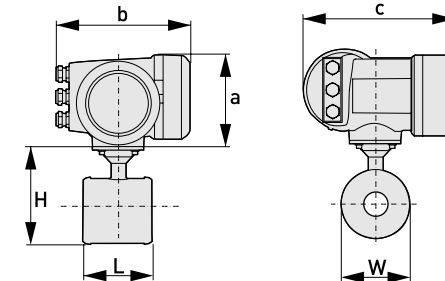
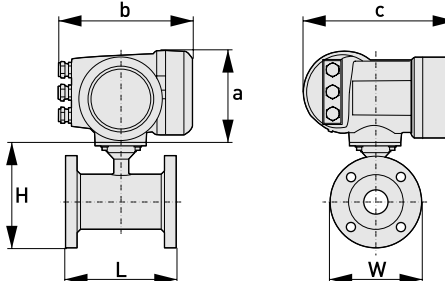
| <b>Current input</b> |  |   |  |
|----------------------|--|---|--|
| Function             | The following values can be delivered from the measuring sensor to the current input: temperature, pressure and current. |   |  |
| Operating data       | <b>Basic I/Os</b>  | <b>Modular I/Os</b>   | <b>Ex i</b>  |
| Active               | -  | $U_{int, nom} = 24 \text{ VDC}$<br>$I \leq 22 \text{ mA}$<br>$I_{max} \leq 26 \text{ mA}$<br>(electronically limited)<br>$U_{0, min} = 19 \text{ V}$<br>at $I \leq 22 \text{ mA}$<br>No HART® | $U_{int, nom} = 20 \text{ VDC}$<br>$I \leq 22 \text{ mA}$<br>$U_{0, min} = 14 \text{ V}$<br>at $I \leq 22 \text{ mA}$<br>No HART®    |
|                      |  |   | $U_0 = 24.5 \text{ V}$<br>$I_0 = 99 \text{ mA}$<br>$P_0 = 0.6 \text{ W}$<br>$C_0 = 75 \text{ nF} / L_0 = 0.5 \text{ mH}$<br>No HART® |
| Passive              | -  | $U_{ext} \leq 32 \text{ VDC}$<br>$I \leq 22 \text{ mA}$<br>$I_{max} \leq 26 \text{ mA}$<br>(electronically limited)<br>$U_{0, max} = 5 \text{ V}$<br>at $I \leq 22 \text{ mA}$<br>No HART®    | $U_{ext} \leq 32 \text{ VDC}$<br>$I \leq 22 \text{ mA}$<br>$U_{0, max} = 4 \text{ V}$<br>at $I \leq 22 \text{ mA}$<br>No HART®       |
|                      |  |   | $U_i = 30 \text{ V}$<br>$I_i = 100 \text{ mA}$<br>$P_i = 1 \text{ W}$<br>$C_i = 10 \text{ nF}$<br>$L_i = 0 \text{ mH}$<br>No HART®   |
| <b>PROFIBUS DP</b>   |  |   |  |
| Description          | Galvanically isolated acc. to IEC 61158  |   |  |
|                      | Profile version: 3.01  |   |  |
|                      | Automatic data transmission rate recognition (max. 12 MBaud)   |   |  |
|                      | Bus address adjustable via local display at the measuring device.  |   |  |
| Function blocks      | 5 x analogue input, 3 x totalizer  |   |  |
| Output data          | Volume flow, mass flow, volume counter 1 + 2, mass counter, velocity, coil temperature                                   |   |  |
| <b>PROFIBUS PA</b>   |  |   |  |
| Description          | Galvanically isolated acc. to IEC 61158  |   |  |
|                      | Profiel version: 3.01  |   |  |
|                      | Current consumption: 10.5 mA   |   |  |
|                      | Permissible bus voltage: 9...32 V; in Ex application: 9...24 V   |   |  |
|                      | Bus interface with integrated reverse polarity protection.   |   |  |
|                      | Typical error current FDE (Fault Disconnection Electronic): 4.3 mA   |   |  |
|                      | Bus address adjustable via local display at the measuring device.  |   |  |
| Function blocks      | 5 x analogue input, 3 x totalizer  |   |  |
| Output data          | Volume flow, mass flow, volume counter 1 + 2, mass counter, velocity, coil temperature                                   |   |  |

| <b>FOUNDATION Fieldbus</b> |  |
|----------------------------|--|
| Description                | Galvanically isolated acc. to IEC 61158  |
|                            | Current consumption: 10.5 mA   |
|                            | Permissible bus voltage: 9...32 V; in Ex application: 9...24 V                         |
|                            | Bus interface with integrated reverse polarity protection.                             |
|                            | Link Master function (LM) supported  |
|                            | Tested with Interoperable Test Kit (ITK) version 5.1                                   |
| Function blocks            | 3 x analogue input, 2x integrator  |
| Output data                | Volume flow, mass flow, volume counter 1 + 2, mass counter, velocity, coil temperature |
| <b>Modbus</b>              |  |
| Description                | Modbus RTU, Master / Slave, RS485  |
| Address range              | 1...247  |
| Supported function codes   | 03, 04, 16   |
| Broadcast                  | Supported with function code 16  |
| Supported Baudrate         | 1200, 2400, 4800, 9600, 19200, 38400, 57600, 115200 Baud                               |

### Approvals and certifications

| <b>CE</b>                                      |  |
|--|--|
|  | The device fulfills the statutory requirements of the EC directives. The manufacturer certifies successful testing of the product by applying the CE mark. |
| Electromagnetic compatibility                  | Directive: 2004/108/EC and A1, A2 NAMUR NE21/04  |
|  | Harmonized standard: EN 61326-1 : 2006   |
| Low Voltage Directive                          | Directive: 2006/95/EC  |
|  | Harmonized standard: EN 61010 : 2002   |
| Pressure Equipment Directive                   | Directive: 97/23/EC  |
|  | Category, I, II or SEP   |
|  | Fluid group 1  |
|  | Production module H  |
| <b>Other approvals and standards</b>           |  |
| Non-Ex   | Standard   |
| <b>Hazardous areas</b>                         |  |
|  | Please check the relevant Ex documentation for details.  |
| ATEX   | KEMA 10 ATEX 0105 X  |
|  | For gas: zone 1 and 2, gasgroup IIC, temperature class T6...T4   |
|  | For dust: zone 21 and 22, maximum surface temperature T115°C   |
| Protection category acc. to IEC 529 / EN 60529 | IP 66/67 (NEMA 4/4X/6)   |
| Hygiene  | Ceramic measuring tube is conform FDA regulations.   |
| Vibration resistance                           | IEC 68-2-6   |

## 6.3 Dimensions and weights

|                  |  |   |
|------------------|--|---|
| Sandwich version |  | <p>a = 155 mm / 6.1"</p> <p>b = 230 mm / 9.1" ①</p> <p>c = 260 mm / 10.2"</p> <p>Total height = H + a</p> |
| Flanged version  |  | <p>a = 155 mm / 6.1"</p> <p>b = 230 mm / 9.1" ①</p> <p>c = 260 mm / 10.2"</p> <p>Total height = H + a</p> |

① The value may vary depending on the used cable glands.

**INFORMATION!**

- All data given in the following tables are based on standard versions of the sensor only.
- Especially for smaller nominal sizes of the sensor, the converter can be bigger than the sensor.
- Note that for other pressure ratings than mentioned, the dimensions may be different.
- For full information on converter dimensions see relevant documentation.

## Sandwich version

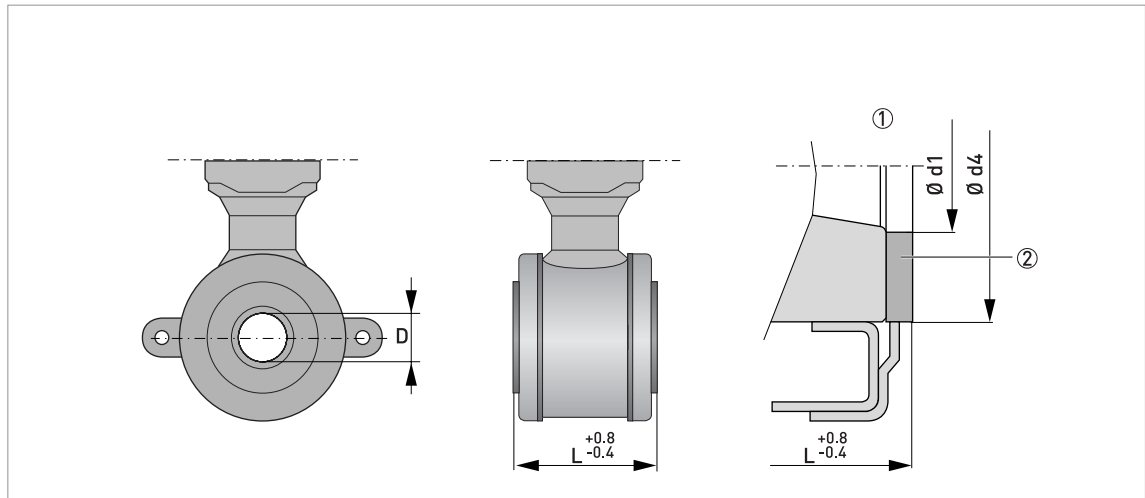


Figure 6-1: Construction details DN25...100

- ① Situation without grounding rings  
② Gasket

| Nominal size | Dimensions [mm] |     |     |    |     |     | Approx. weight [kg] |
|--------------|-----------------|-----|-----|----|-----|-----|---------------------|
|              | DN              | L   | H   | W  | D   | Ød1 |                     |
| 25           | 58 ①            | 116 | 68  | 20 | 26  | 46  | 1.6                 |
| 40           | 83 ①            | 131 | 83  | 30 | 39  | 62  | 2.4                 |
| 50           | 103 ①           | 149 | 101 | 40 | 51  | 74  | 2.9                 |
| 80           | 153 ①           | 181 | 133 | 60 | 80  | 106 | 6.4                 |
| 100          | 203 ①           | 206 | 158 | 80 | 101 | 133 | 8.8                 |

① Total fitting length of flowmeter without rings: dimension L only.

**INFORMATION!**

The table below is valid for 150 and 300 lb.

| Nominal size | Dimensions [inches] |      |      |      |      |      | Approx. weight [lb] |
|--------------|---------------------|------|------|------|------|------|---------------------|
|              | ASME                | L    | H    | W    | D    | Ød1  |                     |
| 1"           | 2.28 ①              | 4.57 | 2.68 | 0.79 | 1.02 | 1.81 | 3.53                |
| 1½"          | 3.27 ①              | 5.16 | 3.27 | 1.18 | 1.54 | 2.44 | 5.29                |
| 2"           | 4.06 ①              | 5.87 | 3.98 | 1.57 | 2.01 | 2.91 | 6.39                |
| 3"           | 6.02 ①              | 7.13 | 5.24 | 2.36 | 3.15 | 4.17 | 14.11               |
| 4"           | 7.99 ①              | 8.11 | 6.22 | 3.15 | 3.98 | 5.24 | 19.40               |

① Total fitting length of flowmeter without rings: dimension L only.

## Flanged version

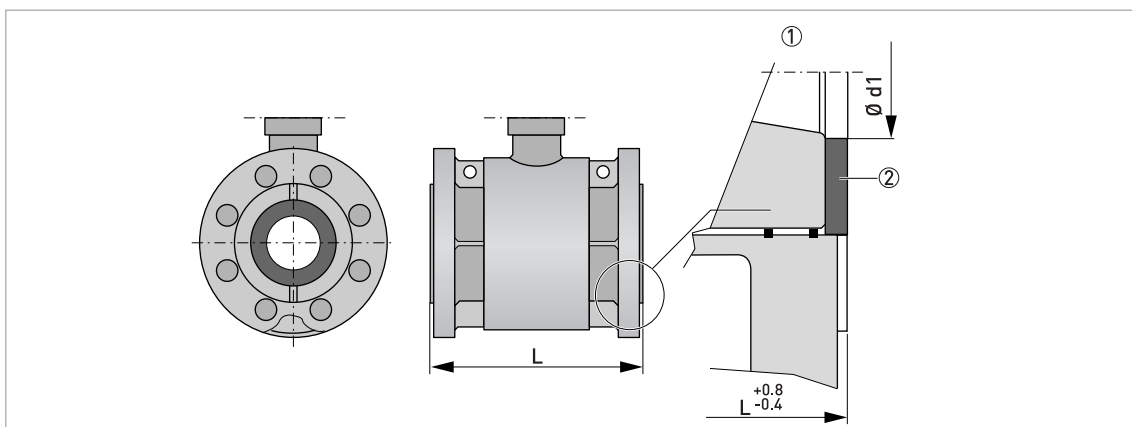


Figure 6-2: Construction details DN25...100

- ① Detail ceramics / flange / gaskets
- ② PTFE sealing ring

## EN 1092-1

| Nominal size | Dimensions [mm] |     |     |    |     | Approx. weight [kg] |
|--------------|-----------------|-----|-----|----|-----|---------------------|
|              | DN              | L   | H   | W  | D   |                     |
| 25           | 150             | 143 | 115 | 20 | 26  | 4                   |
| 40           | 150             | 168 | 150 | 30 | 39  | 6                   |
| 50           | 200             | 184 | 165 | 40 | 51  | 9                   |
| 80           | 200             | 217 | 200 | 60 | 80  | 15                  |
| 100          | 250             | 242 | 220 | 80 | 101 | 21                  |

## ASME B 16.5 150 lb

| Nominal size | Dimensions [inches] |      |      |      |      | Approx. weight [lb] |
|--------------|---------------------|------|------|------|------|---------------------|
| inch         | L                   | H    | W    | D    | Ød1  |                     |
| 1"           | 5.91                | 5.47 | 4.25 | 0.79 | 1.02 | 8.8                 |
| 1½"          | 5.91                | 6.18 | 5    | 1.18 | 1.54 | 13.2                |
| 2"           | 7.87                | 6.89 | 6    | 1.57 | 2.01 | 19.8                |
| 3"           | 7.87                | 8.39 | 7.5  | 2.36 | 3.15 | 33.1                |
| 4"           | 9.84                | 9.65 | 9    | 3.15 | 3.98 | 46.3                |

## ASME B 16.5 300 lb

| Nominal size | Dimensions [inches] |      |      |      |      | Approx. weight [lb] |
|--------------|---------------------|------|------|------|------|---------------------|
| inch         | L                   | H    | W    | D    | Ød1  |                     |
| 1"           | 5.91                | 5.91 | 4.92 | 0.79 | 1.02 | 8.8                 |
| 2"           | 7.87                | 7.20 | 6.50 | 1.57 | 2.01 | 22.9                |
| 3"           | 7.87                | 8.86 | 8.27 | 2.36 | 3.15 | 40.6                |



### KROHNE product overview

- Electromagnetic flowmeters
- Variable area flowmeters
- Ultrasonic flowmeters
- Mass flowmeters
- Vortex flowmeters
- Flow controllers
- Level meters
- Temperature meters
- Pressure meters
- Analysis products
- Measuring systems for the oil and gas industry
- Measuring systems for sea-going tankers

Head Office KROHNE Messtechnik GmbH  
Ludwig-Krohne-Str. 5  
D-47058 Duisburg (Germany)  
Tel.: +49 (0)203 301 0  
Fax: +49 (0)203 301 10389  
info@krohne.de

The current list of all KROHNE contacts and addresses can be found at:  
[www.krohne.com](http://www.krohne.com)

**KROHNE**