



## **WATERFLUX 3070** Quick Start

Battery powered electromagnetic water meter

Electronic Revision ER 4.3.0\_ up to ER 4.3.4\_  
(SW.REV 4.2.2\_ up to 4.2.5\_)

<b>1</b>	<b>Safety instructions</b>	<b>4</b>
<hr/>		
1.1	Instruction for transportation and handling of batteries.....	5
<b>2</b>	<b>Installation</b>	<b>6</b>
<hr/>		
2.1	Scope of delivery.....	6
2.2	Device description .....	7
2.3	Nameplate .....	8
2.4	Storage .....	9
2.5	Transport .....	9
2.6	Pre-installation requirements .....	9
2.7	General requirements .....	10
2.7.1	Vibration .....	10
2.7.2	Magnetic field.....	10
2.8	Installation conditions .....	11
2.8.1	Inlet and outlet .....	11
2.8.2	T-section .....	11
2.8.3	Bends .....	12
2.8.4	Open discharge .....	13
2.8.5	Pump .....	13
2.8.6	Control valve .....	13
2.8.7	Air venting and vacuum forces .....	14
2.8.8	Mounting position and flange deviation.....	15
2.8.9	IP68.....	16
2.9	Mounting .....	17
2.9.1	Torques and pressures.....	17
2.10	Mounting of the signal converter .....	20
2.10.1	IP67 housing, remote version .....	20
2.10.2	IP68 housing, compact version.....	20
<b>3</b>	<b>Electrical connections</b>	<b>21</b>
<hr/>		
3.1	Safety instructions.....	21
3.2	Grounding .....	21
3.3	Connection of the signal cable .....	22
3.3.1	IP 67 housing (field version).....	22
3.4	Connection of the output cable .....	24
3.4.1	IP67 housing (compact and field version).....	24
3.4.2	IP68 housing (compact version).....	25
<b>4</b>	<b>Start-up</b>	<b>26</b>
<hr/>		
4.1	Connecting the internal battery .....	26
4.2	Connecting the external battery.....	27
4.2.1	IP67 housing (compact and field version).....	27
4.2.2	IP68 housing (compact version).....	27
4.2.3	Battery.....	28

5 Technical data	29
<hr/>	
5.1 Dimensions and weights .....	29
6 Notes	31
<hr/>	

**Warnings and symbols used****DANGER!**

*This information refers to the immediate danger when working with electricity.*

**DANGER!**

*These warnings must be observed without fail. Even partial disregard of this warning can lead to serious health problems and even death. There is also the risk of seriously damaging the device or parts of the operator's plant.*

**WARNING!**

*Disregarding this safety warning, even if only in part, poses the risk of serious health problems. There is also the risk of damaging the device or parts of the operator's plant.*

**CAUTION!**

*Disregarding these instructions can result in damage to the device or to parts of the operator's plant.*

**INFORMATION!**

*These instructions contain important information for the handling of the device.*

**HANDLING**

- This symbol designates all instructions for actions to be carried out by the operator in the specified sequence.

**RESULT**

This symbol refers to all important consequences of the previous actions.

**Safety instructions for the operator****CAUTION!**

*Installation, assembly, start-up and maintenance may only be performed by appropriately trained personnel. The regional occupational health and safety directives must always be observed.*

**LEGAL NOTICE!**

*The responsibility as to the suitability and intended use of this device rests solely with the user. The supplier assumes no responsibility in the event of improper use by the customer. Improper installation and operation may lead to loss of warranty. In addition, the "Terms and Conditions of Sale" apply which form the basis of the purchase contract.*

**INFORMATION!**

- *Further information can be found on the supplied CD-ROM in the manual, on the data sheet, in special manuals, certificates and on the manufacturer's website.*
- *If you need to return the device to the manufacturer or supplier, please fill out the form contained on the CD-ROM and send it with the device. Unfortunately, the manufacturer cannot repair or inspect the device without the completed form.*

## 1.1 Instruction for transportation and handling of batteries

**WARNING!**

*Lithium batteries are primary power sources with high energy content. If mistreated, they may present a potential risk.*

**INFORMATION!**

*The manufacturer assumes no liability for customer failure.*

**Please observe the following instructions:**

- Transport only in special packaging with special labels and transportation documents.
- Do not short-circuit, recharge, overcharge or connect with false polarity.
- Do not expose to temperature beyond the specified temperature range or incinerate the battery.
- Do not crush, puncture or open cells or disassemble battery packs.
- Do not weld or solder to the body of the battery.
- Do not expose contents of battery to water.
- Remove the battery from device before returning to the manufacturer for service or warranty reasons.
- Dispose battery packs in accordance with local regulations; where possible, recycle used batteries.

## 2.1 Scope of delivery



**INFORMATION!**

*Do a check of the packing list to make sure that you have all the elements given in the order.*



**INFORMATION!**

*Inspect the cartons carefully for damages or signs of rough handling. Report damage to the carrier and to the local office of the manufacturer.*



**INFORMATION!**

*The remote version will arrive in two cartons. One carton contains the converter and one carton contains the sensor.*

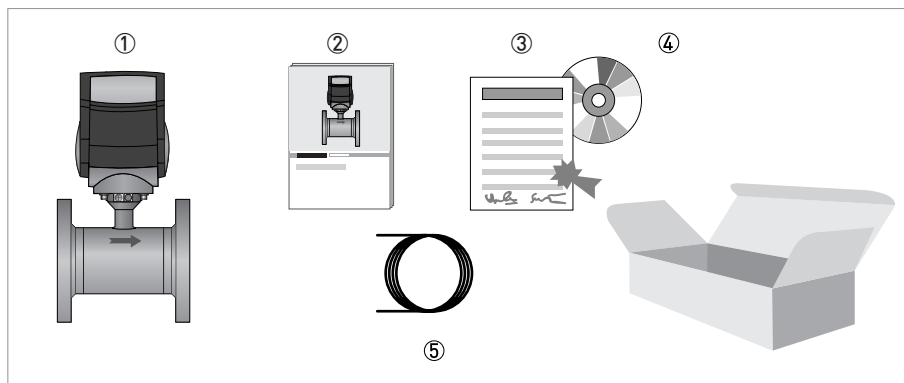


Figure 2-1: Scope of delivery

- ① Ordered water meter
- ② Product documentation
- ③ Factory calibration report
- ④ CD-ROM with product documentation in available languages
- ⑤ Signal cable (remote versions only)



**INFORMATION!**

*Assembly materials and tools are not part of the delivery. Use the assembly materials and tools in compliance with the applicable occupational health and safety directives.*

## 2.2 Device description

Your measuring device is supplied ready for operation. The factory settings for the operating data have been made in accordance with your order specifications.

### The following versions are available:

- Compact version (the signal converter is mounted directly on the measuring sensor) in aluminium (IP67) or polycarbonate (IP68) housing
- Remote version (measuring sensor with connection box and a signal converter in a remote (field) housing)

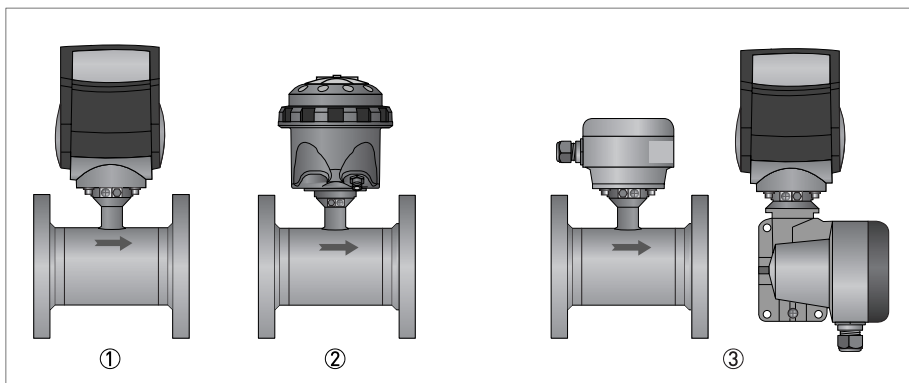


Figure 2-2: Device versions

- ① Compact version in aluminium (IP67) housing
- ② Compact version in polycarbonate (IP68) housing
- ③ Remote version

## 2.3 Nameplate



### INFORMATION!

Check the device nameplate to ensure that the device is delivered according to your order.

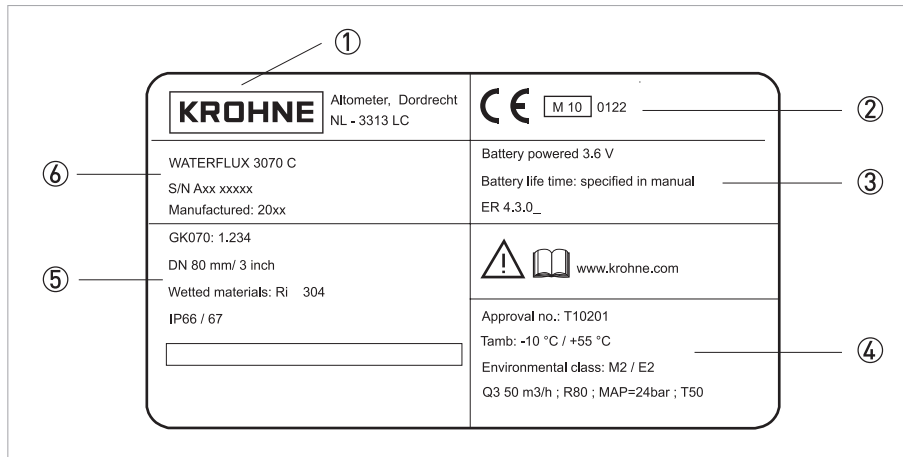


Figure 2-3: Example of nameplate

- ① Name and address of the manufacturer
- ② CE sign with number(s) of notified body / bodies
- ③ Battery voltage and Electronic Revision number
- ④ Optional (MI-001): Additional information including approval number, Q3, ratio
- ⑤ Meter constant, diameter, wetted materials, protection class
- ⑥ Type designation of the flowmeter, serial number, date of manufacturing



## 2.4 Storage

- Store the device in a dry and dust-free location.
- Avoid lasting direct exposure to the sun.
- Store the device in its original packaging.
- Storage temperature: -50 ...+70°C / -58...+158°F

## 2.5 Transport

### Signal converter

- No special requirements.

### Compact version

- Do not lift the device by the signal converter housing.
- Do not use lifting chains.
- To transport flange devices, use lifting straps. Wrap these around both process connections.

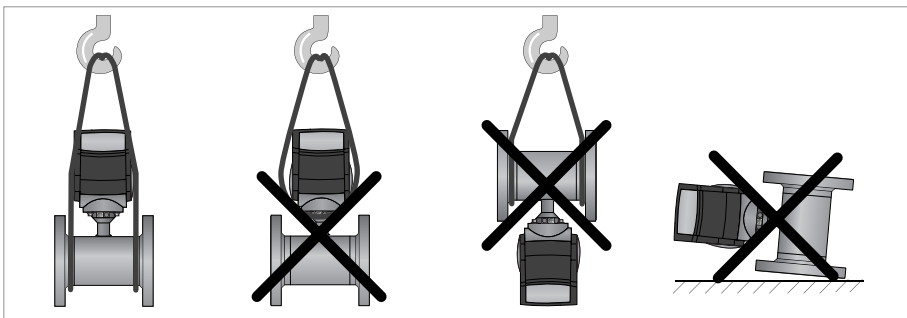


Figure 2-4: Transport

## 2.6 Pre-installation requirements

### Make sure that you have all necessary tools available:

- Allen key (4 mm)
- Small screwdriver
- Wrench for cable glands
- Wrench for wall mounting bracket (remote version only)
- Torque wrench for installing flowmeter in pipeline

## 2.7 General requirements



### INFORMATION!

The following precautions must be taken to ensure reliable installation.

- Make sure that there is adequate space to the sides.
- Protect the signal converter from direct sunlight and install a sun shade if necessary.
- Signal converters installed in control cabinets require adequate cooling, e.g. by fan or heat exchanger.
- Do not expose the signal converter to intense vibration. The flowmeters are tested for a vibration level in accordance with IEC 68-2-64.

### 2.7.1 Vibration

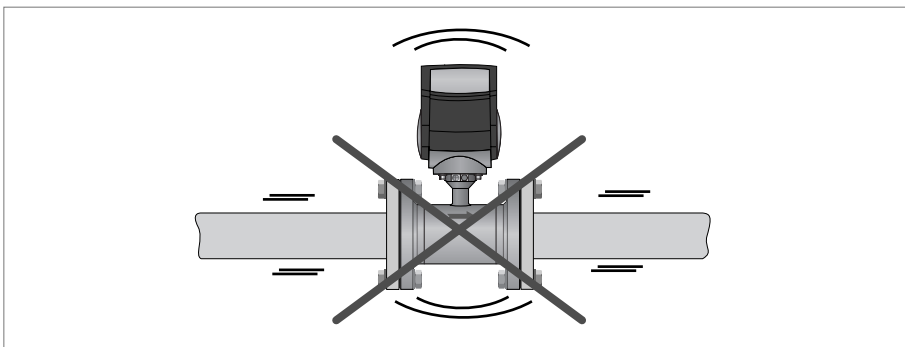


Figure 2-5: Avoid vibrations

### 2.7.2 Magnetic field

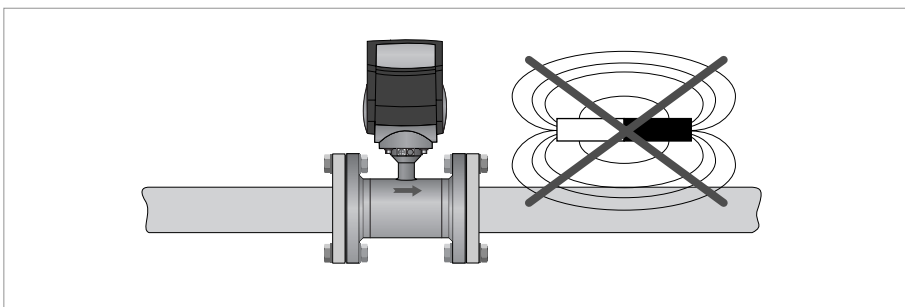


Figure 2-6: Avoid magnetic fields

## 2.8 Installation conditions

### 2.8.1 Inlet and outlet

DN25...300

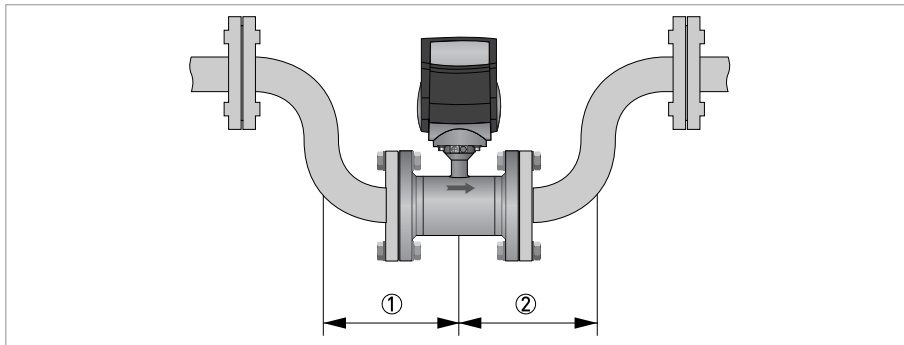


Figure 2-7: Minimal inlet and outlet

- ① Inlet:  $\geq 0$  DN
- ② Outlet:  $\geq 0$  DN

DN350...600

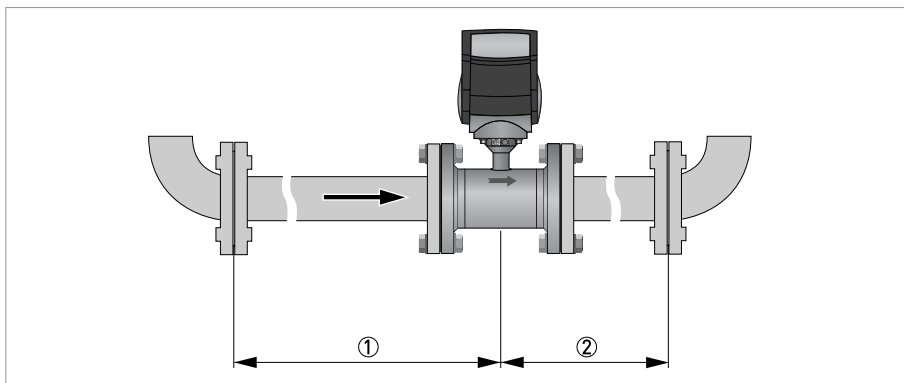


Figure 2-8: Minimal inlet and outlet

- ① Inlet:  $\geq 3$  DN
- ② Outlet:  $\geq 1$  DN

### 2.8.2 T-section

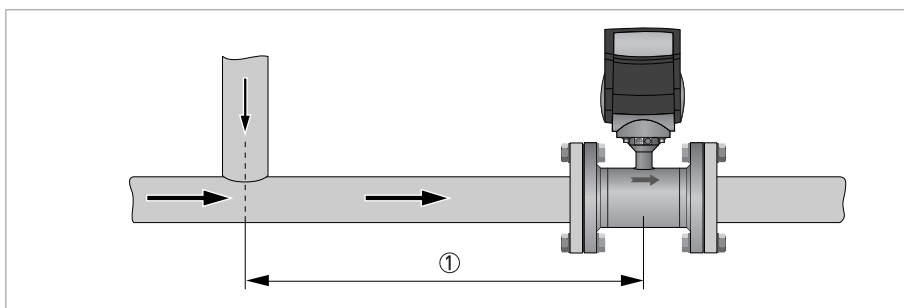


Figure 2-9: Distance behind a T-section

- ① DN 25...300:  $\geq 0$  DN & DN 350...600:  $\geq 3$  DN

2.8.3 Bends

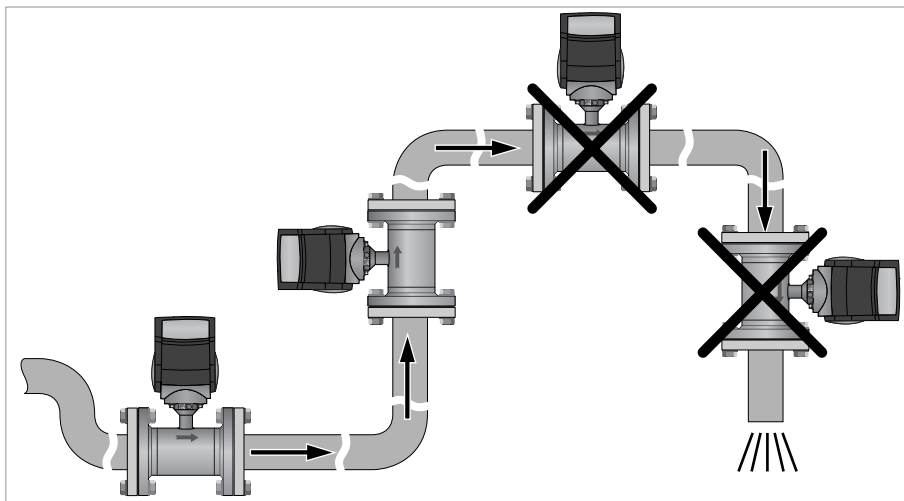


Figure 2-10: Installation in bending pipes

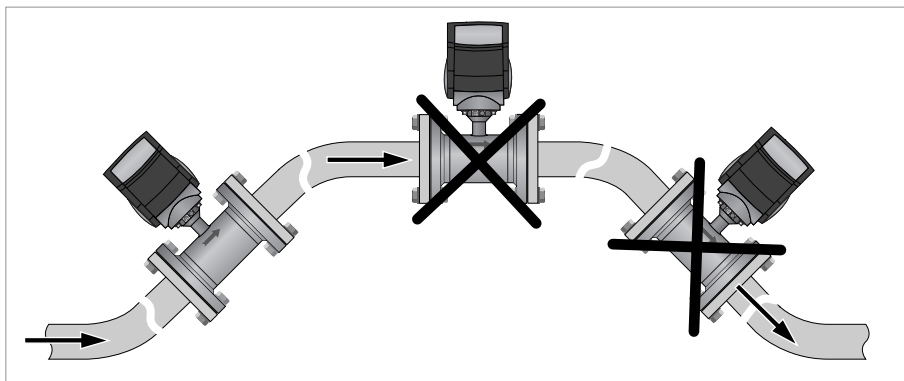


Figure 2-11: Installation in bending pipes



**CAUTION!**  
 Avoid draining or partial filling of the flow sensor

### 2.8.4 Open discharge

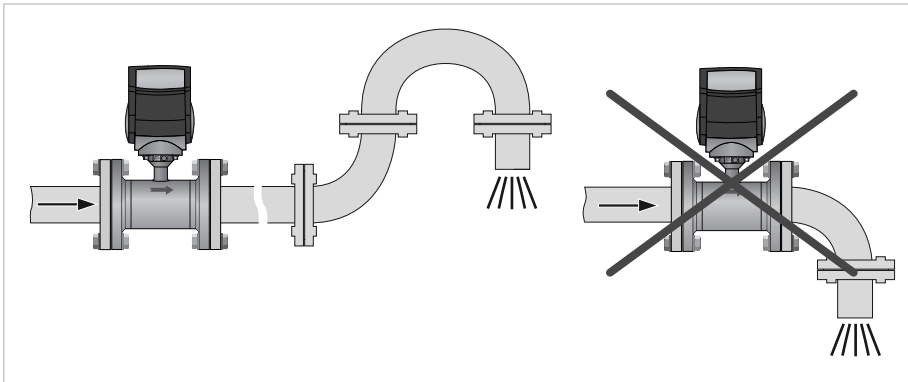


Figure 2-12: Installation in front of an open discharge

### 2.8.5 Pump

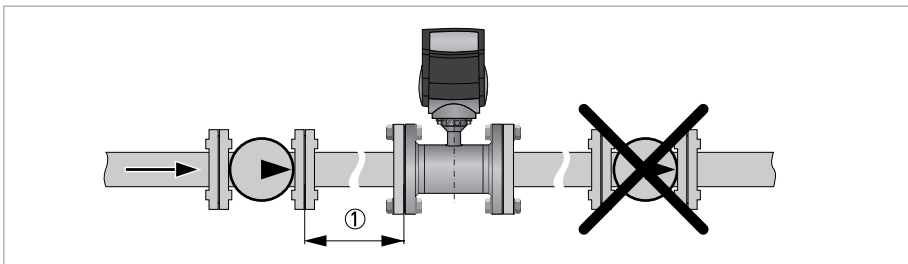


Figure 2-13: Recommended installation: behind a pump

① Inlet:  $\geq 3$  DN

### 2.8.6 Control valve

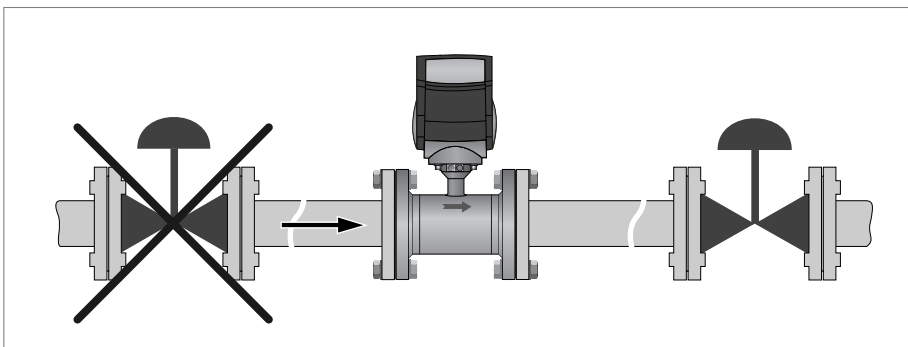


Figure 2-14: Recommended installation: in front of a control valve

2.8.7 Air venting and vacuum forces

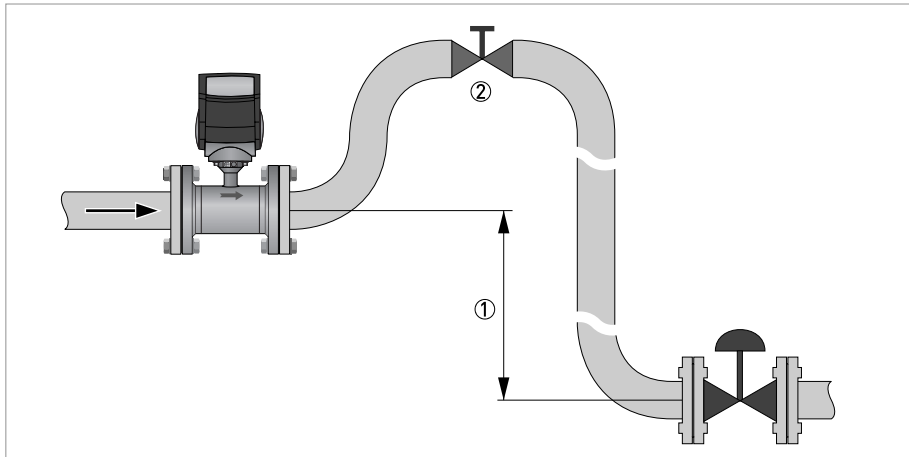


Figure 2-15: Air venting

- ①  $\geq 5$  m
- ② Air ventilation point

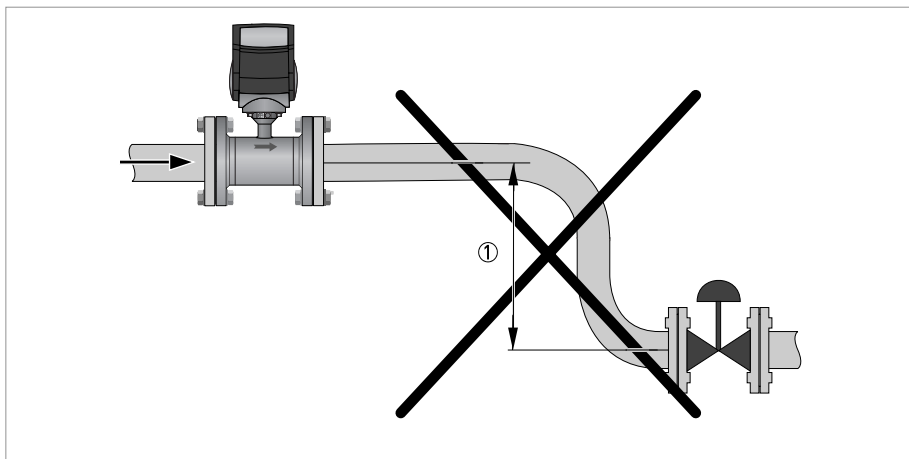


Figure 2-16: Vacuum

- ①  $\geq 5$  m

### 2.8.8 Mounting position and flange deviation

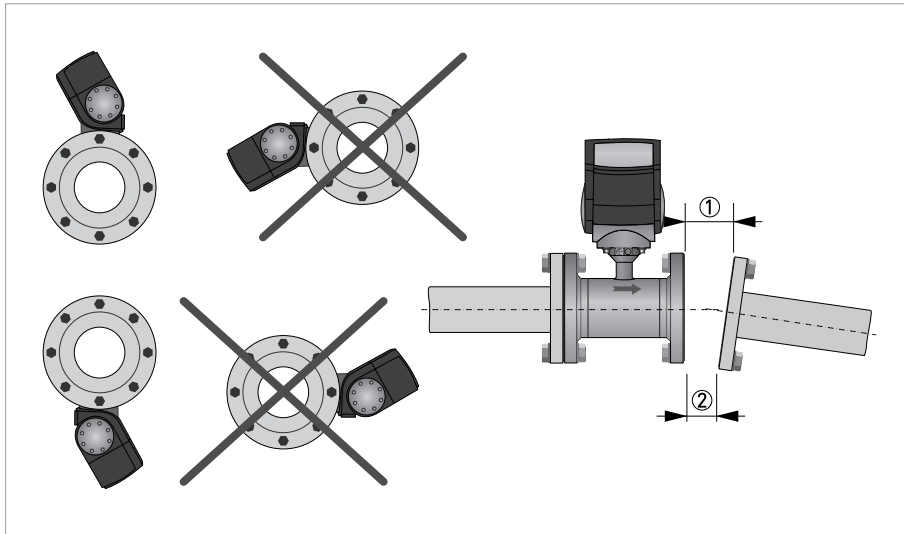


Figure 2-17: Mounting position and flange deviation

- ①  $L_{max}$
- ②  $L_{min}$

- Mount flow sensor either with signal converter aligned upwards or downwards.
- Install flow sensor in line with the pipe axis.
- Pipe flange faces must be parallel to each other.



**CAUTION!**

Max. permissible deviation of pipe flange faces:  $L_{max} - L_{min} \leq 0.5 \text{ mm} / 0.02''$ .

### 2.8.9 IP68

The WATERFLUX 3000 flow sensor is rated IP68 (NEMA 4X/6P). It is suitable for submersion in flooded measurement chambers and for subsurface installation.

The compact IFC 070 signal converter is available in:

- an aluminium housing suitable for IP66/67, NEMA 4/4X/6
- a polycarbonate housing suitable for IP68, NEMA 4/4X/6.  
This version is suitable for periodic submersion in flooded measurement chambers. The output cable has IP68 rated (military) connectors.  
In case of continuous or long term submersion it is advised to select the field (remote) version (IP66/67). Submersion under water is possible down to a depth of 5 meters.

The remote IFC 070 signal converter is available in:

- an aluminium housing suitable for IP66/67, NEMA 4/4X/6.

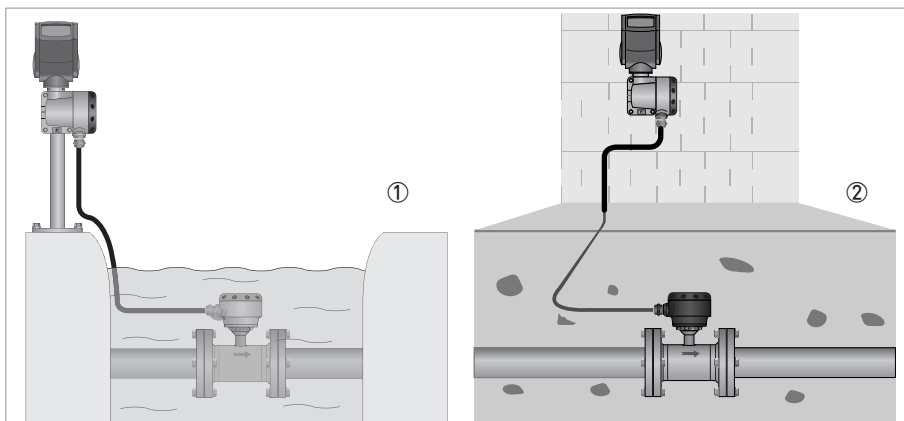


Figure 2-18: IP68 versions

- ① Submersible
- ② Buried



## 2.9 Mounting

### 2.9.1 Torques and pressures

The maximum pressure and torques values for the flowmeter are theoretical and calculated for optimum conditions and use with carbon steel flanges.

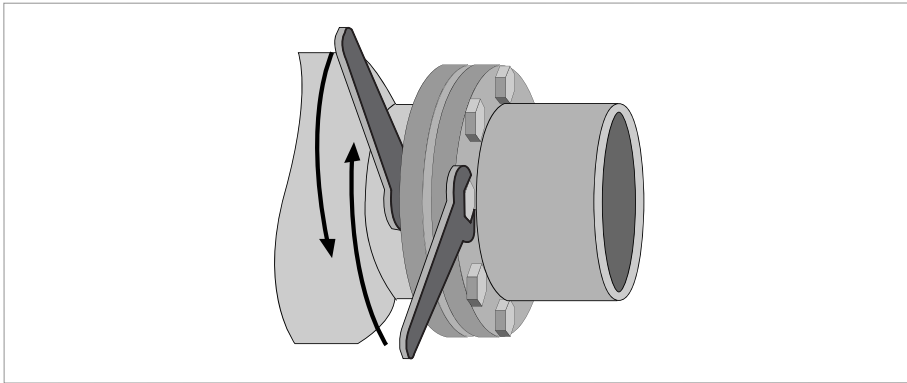


Figure 2-19: Tightening of bolts



#### Tightening of bolts

- Always tighten the bolts uniformly and in diagonally opposite sequence.
- Do not exceed the maximum torque value.
- Step 1: Apply approx. 50% of max. torque given in table.
- Step 2: Apply approx. 80% of max. torque given in table.
- Step 3: Apply 100% of max. torque given in table.

Nominal size DN [mm]	Pressure rating	Bolts	Max. torque [Nm] <sup>①</sup>
25	PN 16	4 x M 12	12
40	PN 16	4 x M 16	30
50	PN 16	4 x M 16	36
65	PN 16	8 x M 16	50
80	PN 16	8 x M 16	30
100	PN 16	8 x M 16	32
125	PN 16	8 x M 16	40
150	PN 10	8 x M 20	55
150	PN 16	8 x M 20	55
200	PN 10	8 x M 20	85
200	PN 16	12 x M 20	57
250	PN 10	12 x M 20	80
250	PN 16	12 x M 24	100
300	PN 10	12 x M 20	95
300	PN 16	12 x M 24	136
350	PN 10	16 x M 20	96
400	PN 10	16 x M 24	130
450	PN 10	20 x M 24	116
500	PN 10	20 x M 24	134
600	PN 10	20 x M 27	173

① The torque values also depend on variables (temperature, bolt material, gasket material, lubricants, etc.) outside the control of the manufacturer. Therefore these values should be regarded as indicative only.

Nominal size [inches]	Flange class [lb]	Bolts	Max. torque [lbs.ft] <sup>①</sup>
1	150	4 x 1/2"	4
1½	150	4 x 1/2"	11
2	150	4 x 5/8"	18
2.5	150	8 x 5/8"	27
3	150	4 x 5/8"	33
4	150	8 x 5/8"	22
5	150	8 x 3/4"	33
6	150	8 x 3/4"	48
8	150	8 x 3/4"	66
10	150	12 x 7/8"	74
12	150	12 x 7/8"	106
14	150 ②	12 x 1"	87
16	150 ②	16 x 1"	84
18	150 ②	16 x 1 1/8"	131
20	150 ②	20 x 1 1/8"	118
24	150 ②	20 x 1 1/4"	166

① The torque values also depend on variables (temperature, bolt material, gasket material, lubricants, etc.) outside the control of the manufacturer. Therefore these values should be regarded as indicative only.

② No full rating (max. 145 psi).

## 2.10 Mounting of the signal converter



### INFORMATION!

Assembly materials and tools are not part of the delivery. Use the assembly materials and tools in compliance with the applicable occupational health and safety directives.

### 2.10.1 IP67 housing, remote version

#### Pipe mounting

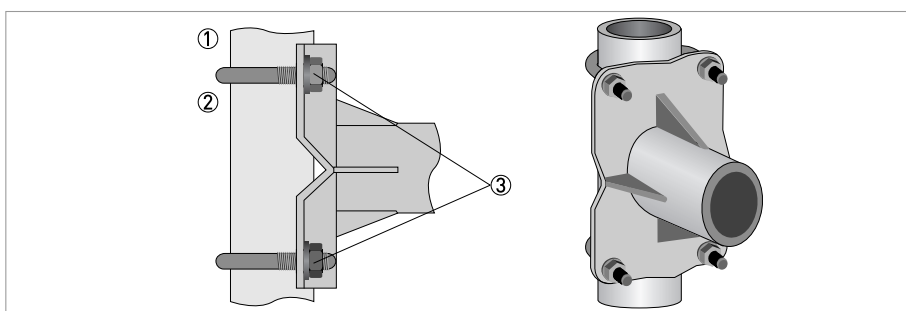


Figure 2-20: Pipe mounting of the field housing



- ① Fix the signal converter to the pipe.
- ② Fasten the signal converter using standard U-bolts and washers.
- ③ Tighten the nuts.

#### Wall mounting

No special requirements.

### 2.10.2 IP68 housing, compact version

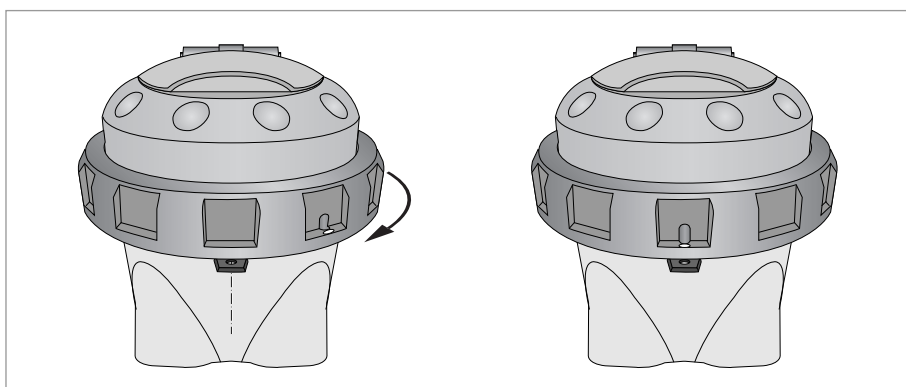


Figure 2-21: Closing of IP68 housing



- Before closing the case of the converter, ensure that all surfaces in contact with the seals are clean.
- Position the upper part of the case and tighten the lock ring.
- Use the wrench to tighten the ring as shown.

### 3.1 Safety instructions

**DANGER!**

All work on the electrical connections may only be carried out with the power disconnected. Take note of the voltage data on the nameplate!

**DANGER!**

Observe the national regulations for electrical installations!

**WARNING!**

Observe without fail the local occupational health and safety regulations. Any work done on the electrical components of the measuring device may only be carried out by properly trained specialists.

**INFORMATION!**

Look at the device nameplate to ensure that the device is delivered according to your order. Check for the correct supply voltage printed on the nameplate.

### 3.2 Grounding

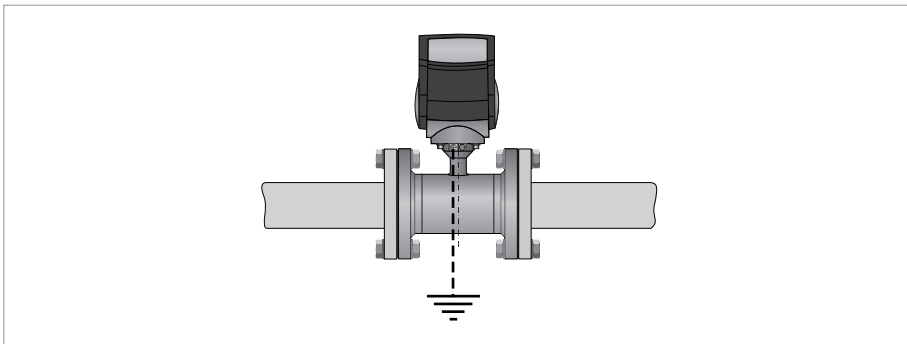


Figure 3-1: Grounding

**INFORMATION!**

Grounding without grounding rings. The flow sensor is equipped with a reference electrode.

### 3.3 Connection of the signal cable

#### 3.3.1 IP 67 housing (field version)



**CAUTION!**

To ensure smooth functioning, always use the signal cables included in the delivery.



**INFORMATION!**

The signal cable is only used for remote versions. The standard WSC-cable includes both electrode and field current leads.

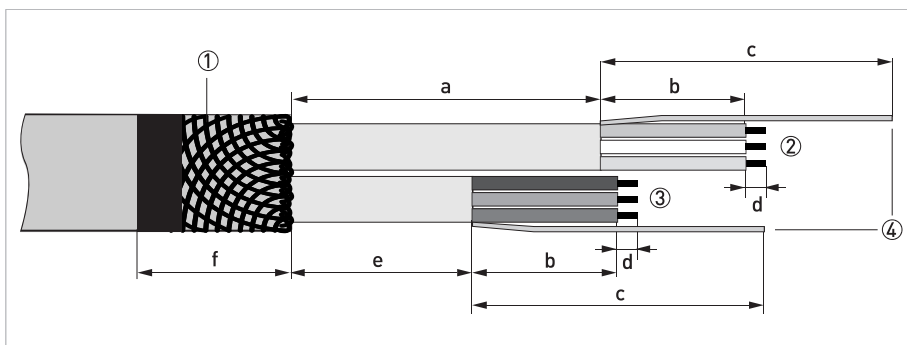


Figure 3-2: Preparation of standard cable (both sides)

- ① Shielding
- ② Blue + green + yellow cable, used for field current (terminals 7, 8, 9)
- ③ Brown + white + violet cable, used for electrode signals (terminals 1, 2, 3)
- ④ Drain wires

#### Dimensions of cable

	a	b	c	d	e	f
mm	75	35	70	5	45	30
inch	3.0	1.4	2.8	0.2	1.8	1.2

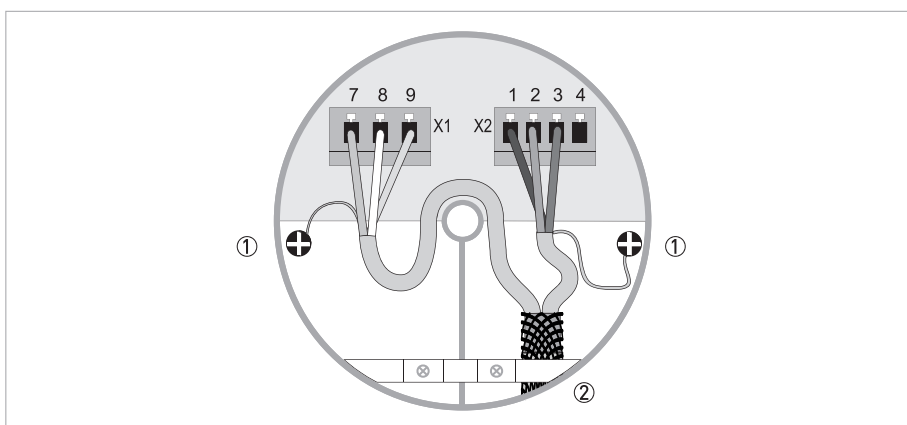


Figure 3-3: Cable connection at sensor side, standard cable

- ① Connect drain wires under screw
- ② Connect shielding under clamp

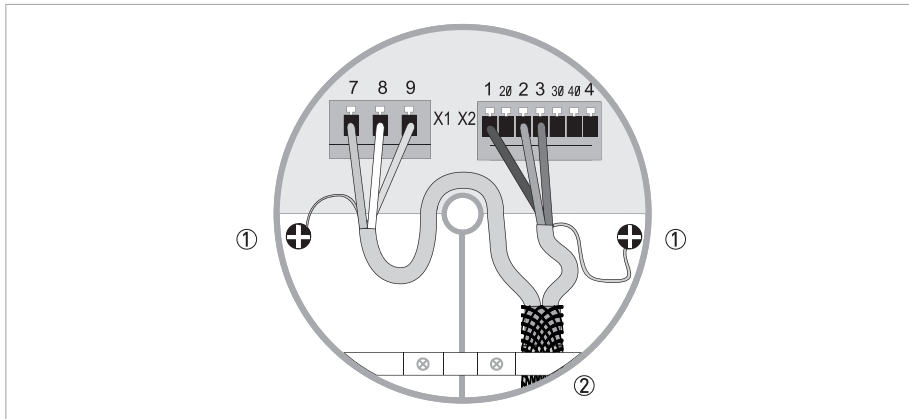


Figure 3-4: Cable connection at converter side, standard cable

- ① Connect drain wires under screw
- ② Connect shielding under clamp



- Prepare appropriate cable lengths as shown.
- Connect the wires as shown in the following table.

Wire color	Terminal	Function
Brown	1	Reference electrode
White	2	Standard electrode signal
Violet	3	Standard electrode signal
Blue	7	Field current
Green	8	Field current
Yellow	9	No function
Drain wires	Screws	Shielding

### 3.4 Connection of the output cable

#### 3.4.1 IP67 housing (compact and field version)

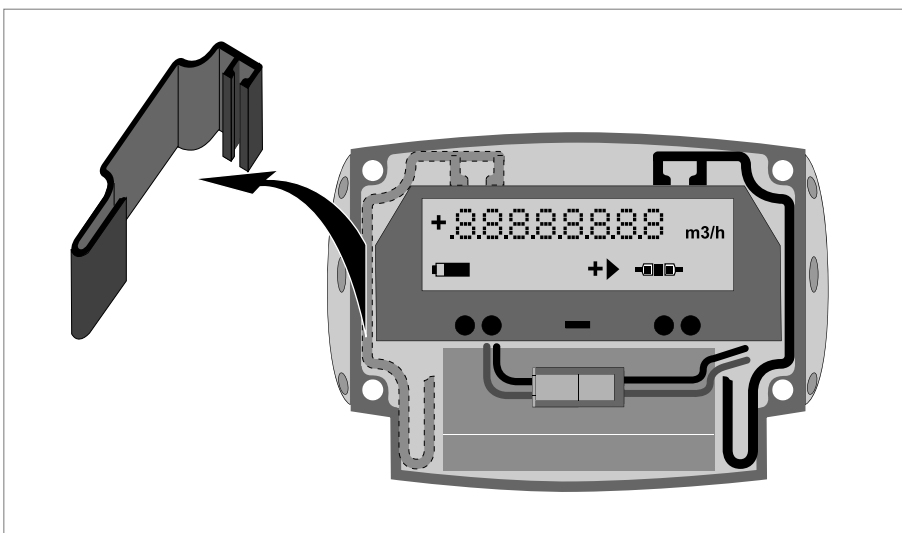


Figure 3-5: Removing side cap

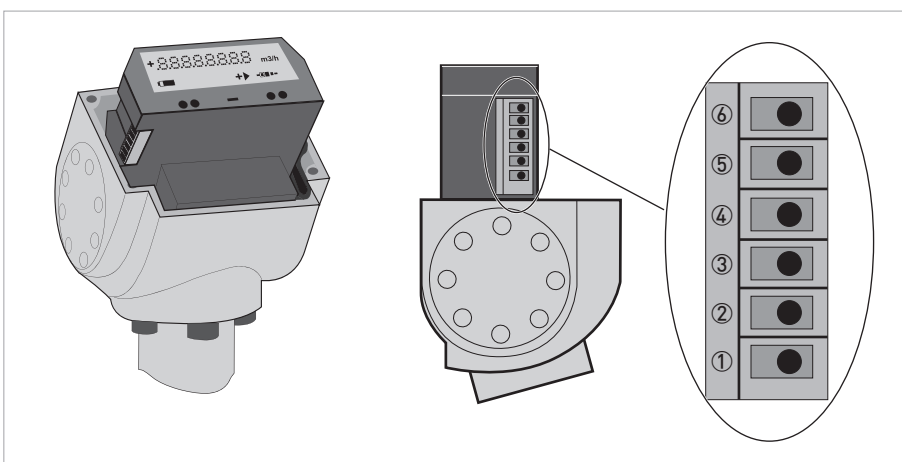


Figure 3-6: Terminal assignment

- ① Status output 1 or pulse output C
- ② Status output 2
- ③ Not used
- ④ Common ground
- ⑤ Pulse output A
- ⑥ Pulse output B

#### Electrical values

- **Pulse output passive:**  
 $f \leq 100 \text{ Hz}$ ;  $I \leq 10 \text{ mA}$ ;  $U: 2.7 \dots 24 \text{ VDC}$  ( $P \leq 100 \text{ mW}$ )
- **Status output passive:**  
 $I \leq 10 \text{ mA}$ ;  $U: 2.7 \dots 24 \text{ VDC}$  ( $P \leq 100 \text{ mW}$ )



### 3.4.2 IP68 housing (compact version)

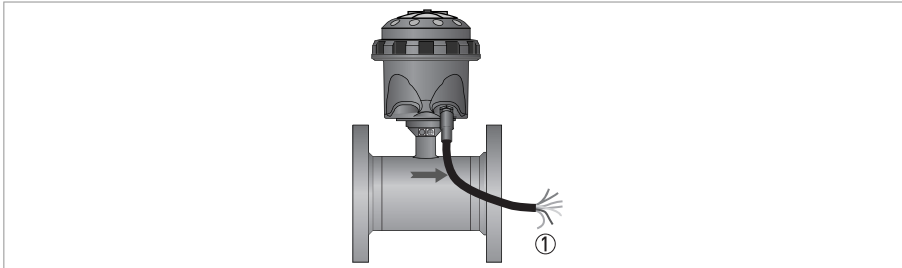


Figure 3-7: Output cable at IP68 compact version

① Color coded leads of output cable

If an output is activated, the output cable with the IP68 rated connector has the following leads:

Output cable with IP68 rated connectors with 5 color coded leads:

Wire color	Contact on connector	Function
Yellow	A	Status output 1
White	G	Status output 2
Blue	H	Ground
Brown	B	Pulse output A
Green	F	Pulse output B
Pink	C	External battery +
Grey	E	External battery -

#### Electrical values

- **Pulse output passive:**  
 $f \leq 100 \text{ Hz}$ ;  $I \leq 10 \text{ mA}$ ;  $U: 2.7 \dots 24 \text{ VDC}$  ( $P \leq 100 \text{ mW}$ )
- **Status output passive:**  
 $I \leq 10 \text{ mA}$ ;  $U: 2.7 \dots 24 \text{ VDC}$  ( $P \leq 100 \text{ mW}$ )

## 4.1 Connecting the internal battery



### CAUTION!

Please connect the battery before first use. The signal converter is delivered with a disconnected battery. In case the meter is verified to MI-001, the batteries are already connected in the factory.

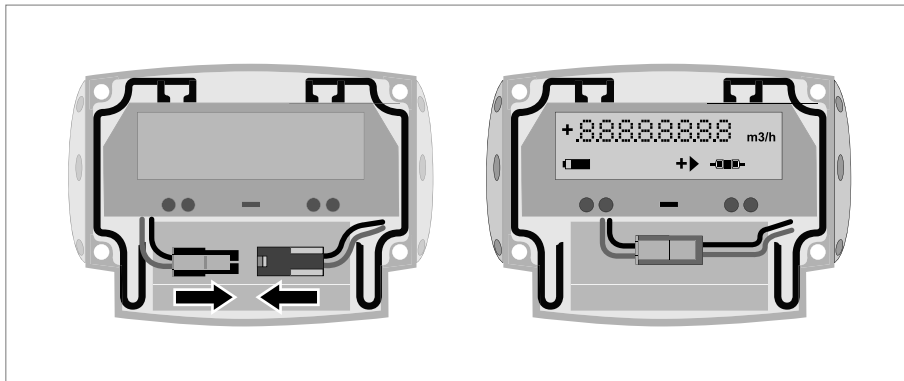


Figure 4-1: Connecting the battery



- Remove the protection cap and loosen the 4 Allen bolts (4mm) (IP67 housing).
- Remove the cover.
- Fasten the battery connector to the internal connector in the converter.
- Check if the display lights up.
- Put back the cover.



### WARNING!

Make sure that the battery cable is not jammed by the cover.



- Tighten the 4 bolts and put back the protection cap (IP67 housing).
- For closing the case of the converter in the IP68 housing, please refer to *IP68 housing, compact version* on page 20.



### INFORMATION!

The instrument now operates with default menu settings.  
For configuration of these menu settings, please refer to *Battery* on page 28

## 4.2 Connecting the external battery

### 4.2.1 IP67 housing (compact and field version)



- Remove the protection cap and loosen the 4 Allen bolts (4mm).
- Remove the cover.
- Remove one of the blind cable glands in the bottom of the converter housing.
- Remove the metal strip at the bottom of the housing (2 screws).
- Lead the cable of the external battery through the gland opening and mount the attached cable gland loosely.
- Pull the cable to the top of the electronics.
- Fasten the battery connector to the internal connector in the converter.
- Check if the display lights up.
- Refit the metal strip at the bottom of the housing.
- Tighten the cable gland.
- Put back the cover.



**WARNING!**

*Make sure that the battery cable is not jammed by the cover.*



- Tighten the 4 bolts and put back the protection cap (IP67 housing).
- For closing the case of the converter in the IP68 housing, please refer to *IP68 housing, compact version* on page 20.



**INFORMATION!**

*The instrument now operates with default menu settings.*

*For configuration of these menu settings, please refer to *Battery* on page 28*

### 4.2.2 IP68 housing (compact version)

The output cable has two color coded leads for connecting the external battery. For detailed information, please refer to *IP68 housing (compact version)* on page 25.

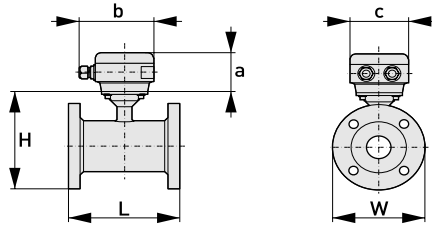
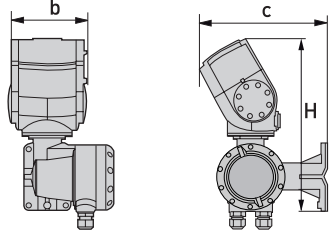
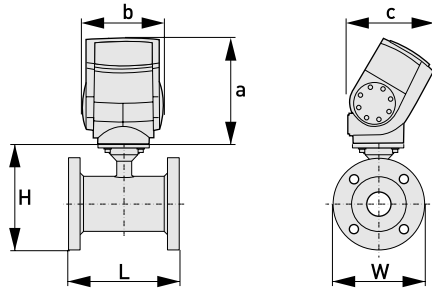
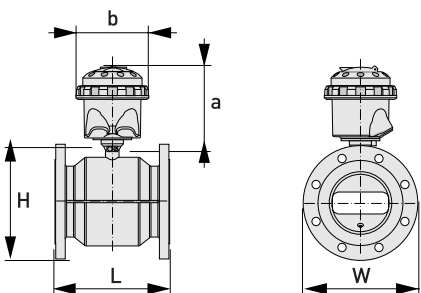
### 4.2.3 Battery

After a change of battery:

- Reset the battery lifetime counter (Menu number B2)
- Select the battery type, if a different type of battery is used. (Menu number B0)
- Change the total battery capacity, if a different type of battery is used. (Menu number B1)

No.	Function	Options	Description
B0	Battery type	0 = No battery	A wrong setting influences the battery lifetime calculation.
		1 = One internal battery (default)	
		2 = Two internal batteries	
		3 = External battery pack	
B1	Total battery capacity	xx.xxx = xx.xxx Ah (19.000 Ah Default)	Total of all batteries in Ah. After a change to a different battery type, change the setting (19 one battery, 38 two batteries, or 78 external battery)
B2	Reset battery lifetime counter	0 = Off (default)	Set the value to 1 to reset the battery lifetime counter. After a reset, the menu setting automatically goes back to 0.
		1 = Reset	

### 5.1 Dimensions and weights

<p>Remote flow sensor</p>		<p>a = 88 mm / 3.5"</p> <p>b = 139 mm / 5.5" ①</p> <p>c = 106 mm / 4.2"</p> <p>Total height = H + a</p>
<p>Remote version in aluminium housing (IP67)</p>		<p>b = 132 mm / 5.2"</p> <p>c = 235 mm / 9.3"</p> <p>H = 310 mm / 12.2"</p> <p>Weight = 3.3 kg / 7.3 lb</p>
<p>Compact version in aluminium housing (IP67)</p>		<p>a = 170 mm / 6.7"</p> <p>b = 132 mm / 5.2"</p> <p>c = 140 mm / 5.5"</p> <p>Total height = H + a</p>
<p>Compact version in polycarbonate housing (IP68)</p>		<p>a = 159 mm / 6.3"</p> <p>b = 161 mm / 6.3"</p> <p>Total height = H + a</p>

① The value may vary depending on the used cable glands.



**INFORMATION!**

- All data given in the following tables are based on standard versions of the flow sensor only.
- Especially for smaller nominal sizes of the flow sensor, the signal converter can be bigger than the flow sensor.
- Note that for other pressure ratings than mentioned, the dimensions may be different.
- For full information on signal converter dimensions see relevant documentation.

## EN 1092-1

Nominal size DN [mm]	Dimensions [mm]			Approx. weight [kg]
	L	H	W	
25	150	151	115	5
40	150	166	150	6
50	200	186	165	13
65	200	200	185	11
80	200	209	200	17
100	250	237	220	17
125	250	266	250	21
150	300	300	285	29
200	350	361	340	36
250	400	408	395	50
300	500	458	445	60
350	500	510	505	85
400	600	568	565	110
450	600	618	615	125
500	600	671	670	120
600	600	781	780	180

## ASME B16.5 / 150 lb

Nominal size [inches]	Dimensions [inches]			Approx. weight [lb]
	L	H	W	
1	5.91	5.83	4.3	18
1½	5.91	6	4.9	21
2	7.87	7.05	5.9	34
3	7.87	8.03	7.5	42
4	9.84	9.49	9.0	56
5	9.84	10.55	10.0	65
6	11.81	11.69	11.0	80
8	13.78	14.25	13.5	100
10	15.75	16.3	16.0	148
12	19.7	18.8	19.0	210
14	27.6	20.7	21	290
16	31.5	22.9	23.5	370
18	31.5	24.7	25	420
20	31.5	27	27.5	500
24	31.5	31.4	32	680





### KROHNE product overview

- Electromagnetic flowmeters
- Variable area flowmeters
- Ultrasonic flowmeters
- Mass flowmeters
- Vortex flowmeters
- Flow controllers
- Level meters
- Temperature meters
- Pressure meters
- Analysis products
- Products and systems for the oil & gas industry
- Measuring systems for the marine industry

Head Office KROHNE Messtechnik GmbH  
Ludwig-Krohne-Str. 5  
47058 Duisburg (Germany)  
Tel.: +49 (0)203 301 0  
Fax: +49 (0)203 301 10389  
info@krohne.de

The current list of all KROHNE contacts and addresses can be found at:  
[www.krohne.com](http://www.krohne.com)

**KROHNE**